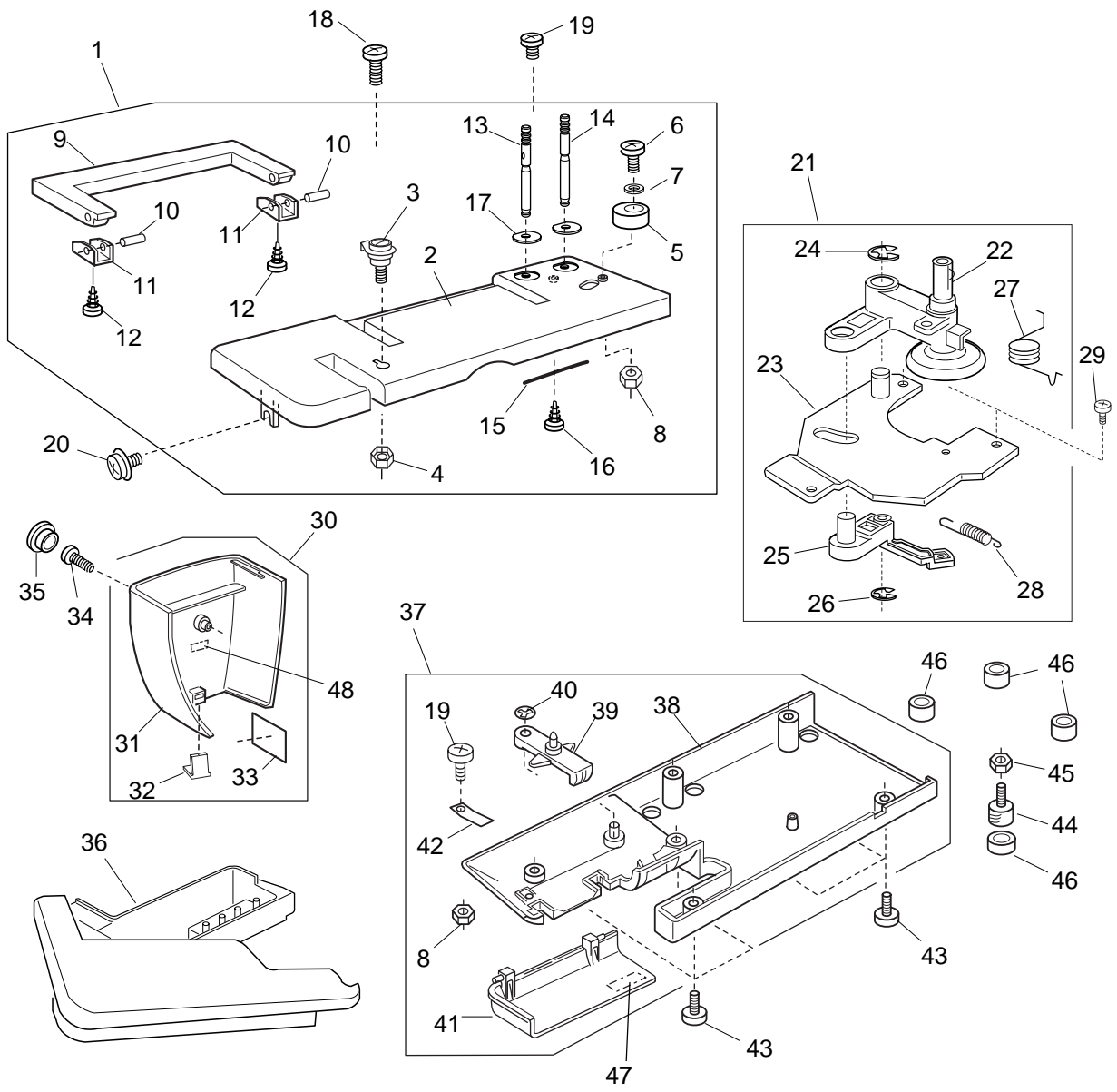


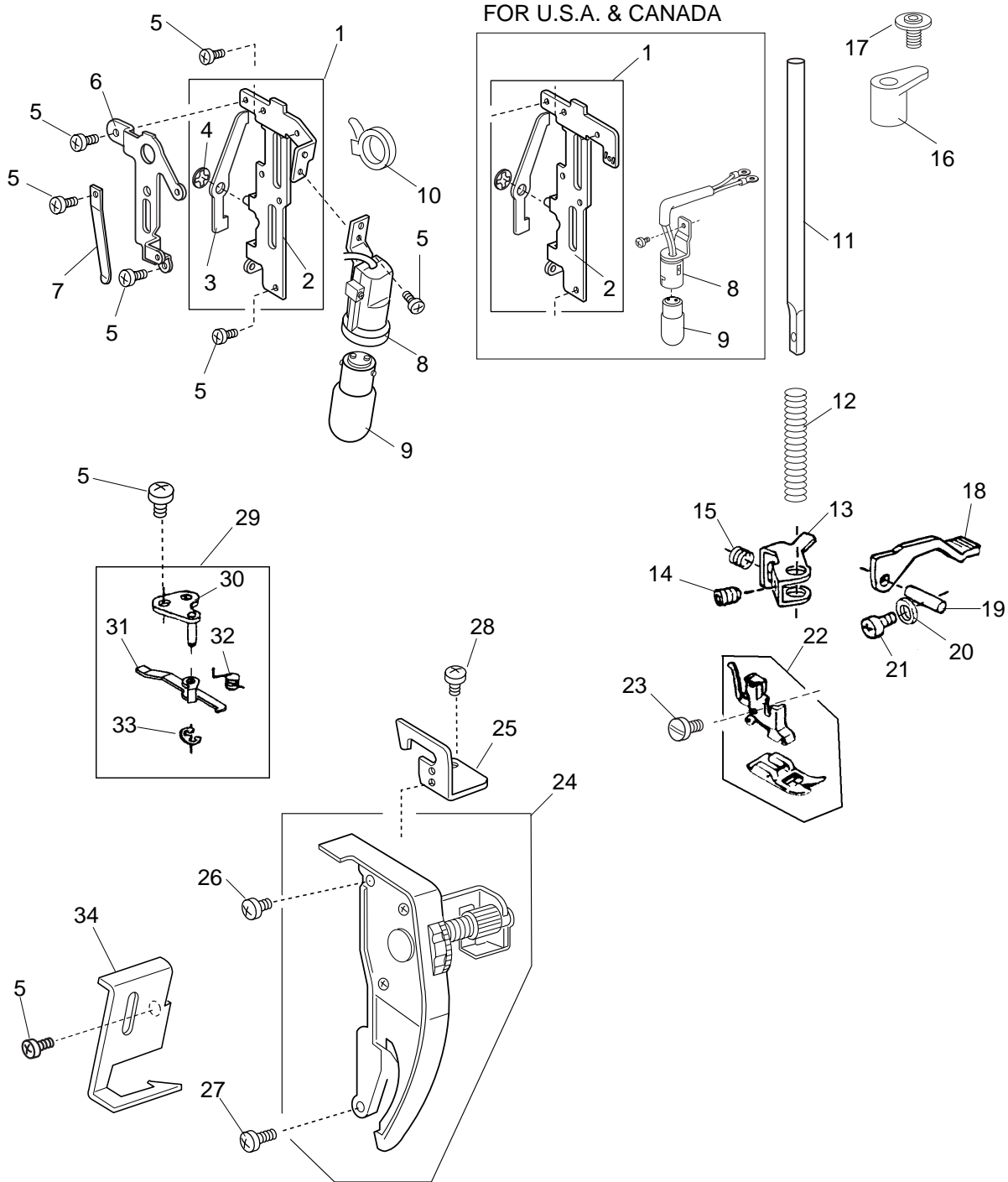
PARTS LIST

Model 415

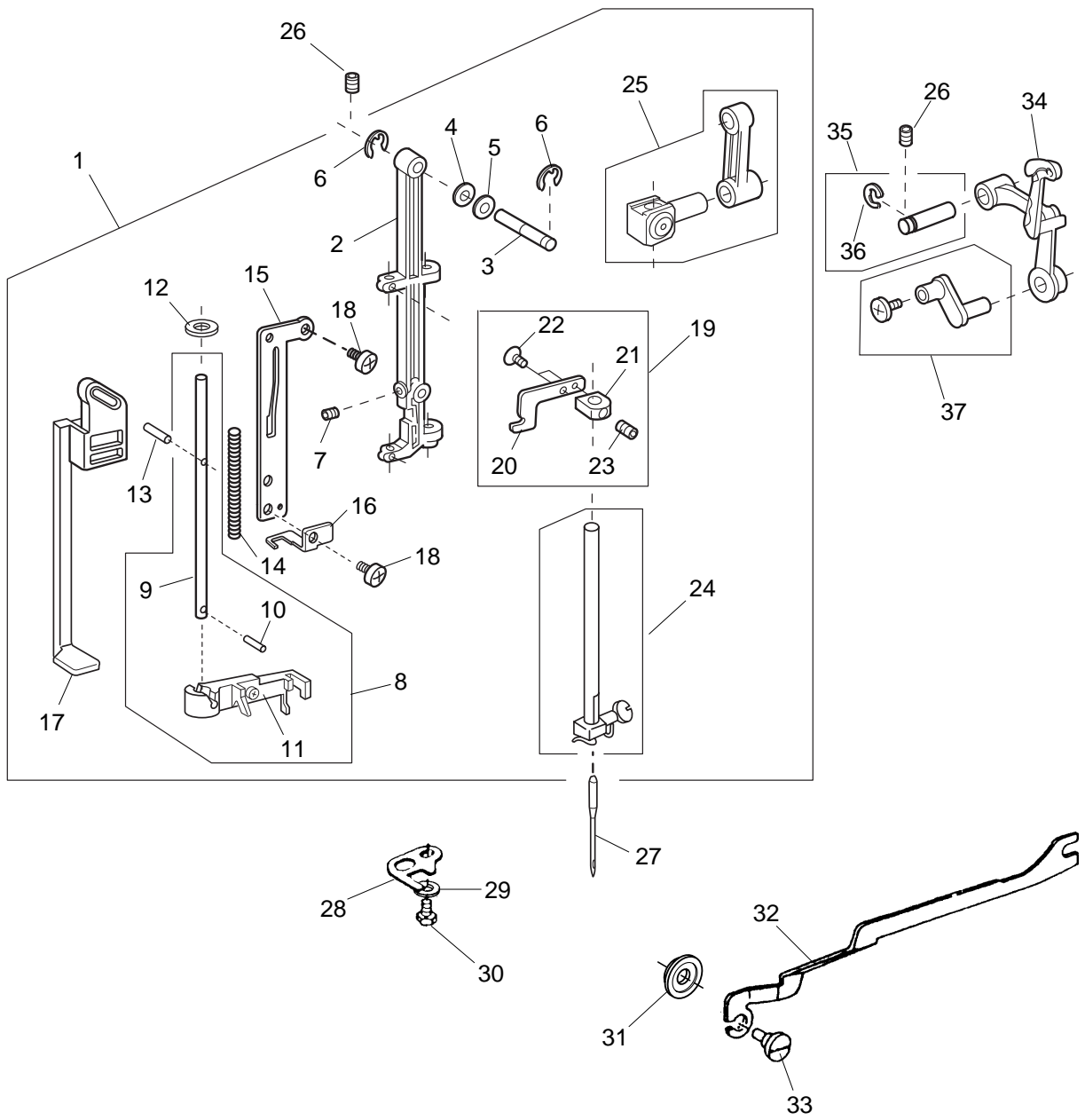
Specification code: 303701109 (JAI)
303701202 (JCA)
303701305 (JA)
303701408 (JUK)
303701501 (JNBV)



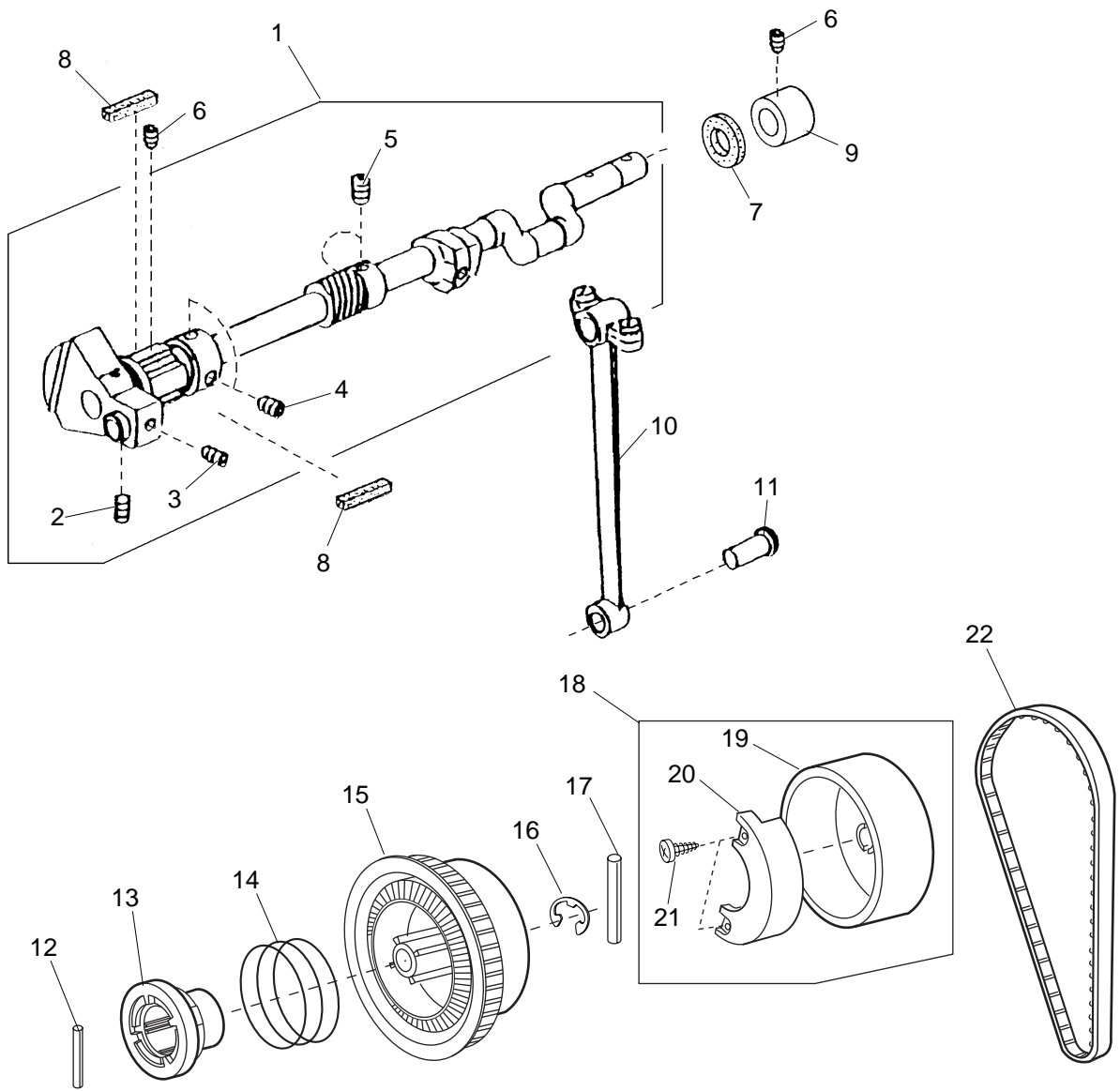
KEY NO.	PART NO.	NAME
1	303602006	TOP COVER UNIT
2	303009007	TOP COVER
3	730501011	THREAD GUIDE PLATE UNIT
4	000160102	ADJUSTABLE NUT 4
5	735016307	BOBBIN WINDER STOPPER
6	000101828	SETSCREW 4X16
7	000071013	PLAIN WASHER
8	000061205	NUT
9	303010001	CARRYING HANDLE
10	730015002	HANDLE FIXING PLATE PIN
11	730016003	HANDLE FIXING PLATE
12	000107204	TAPPING SCREW 3X12B
13	652302004	SPOOL PIN
14	652205006	SPOOL PIN
15	736007009	SPOOL PIN SPRING
16	000076317	SETSCREW 3X10
17	735013005	CUSHION
18	000104108	SETSCREW 4X20
19	000101404	SETSCREW 4X6
20	000115205	TP SCREW 4X6
21	303603007	BOBBIN WINDER UNIT
22	303502005	BOBBIN WINDER ARM UNIT
23	303012003	BOBBIN WINDER PLATE
24	000002806	SNAP RING E-6
25	303013004	CLUTCH ARM
26	000002105	SNAP RING E-3
27	303014005	BOBBIN WINDER SPRING (1)
28	303015006	BOBBIN WINDER SPRING (2)
29	000081005	SETSCREW 4X8
30	303607001	FACE PLATE UNIT FOR CANADA & U.K.
	303607104	FACE PLATE UNIT FOR AUSTRALIA, CONTINENTAL EUROPE & U.S.A.
31	303022109	FACE PLATE
32	840602006	THREAD CUTTER UNIT
33	366076000	STICKER
34	000101817	SETSCREW 4X16
35	653006101	CAP
36	303501005	EXTENSION TABLE UNIT
37	303601005	BASE COVER UNIT FOR AUSTRALIA, U.K. & CONTINENTAL EUROPE
	303601108	BASE COVER UNIT FOR U.S.A.
	303601201	BASE COVER UNIT FOR CANADA
38	303003001	BASE
39	738060006	DROP LEVER
40	000013903	SNAP RING CS-5
41	303005003	BED LID
42	730006000	LID SPRING
43	000081005	SETSCREW 4X8
44	647010006	LEVEL ADJUSTING SCREW
45	000061319	NUT
46	647009002	BED RUBBER BASE
47	830312016	CAUTION STICKER FOR U.S.A.
	100045000	CAUTION STICKER FOR CANADA
48	100411104	LAMP STICKER FOR U.S.A., AUSTRALIA & CONTINENTAL EUROPE



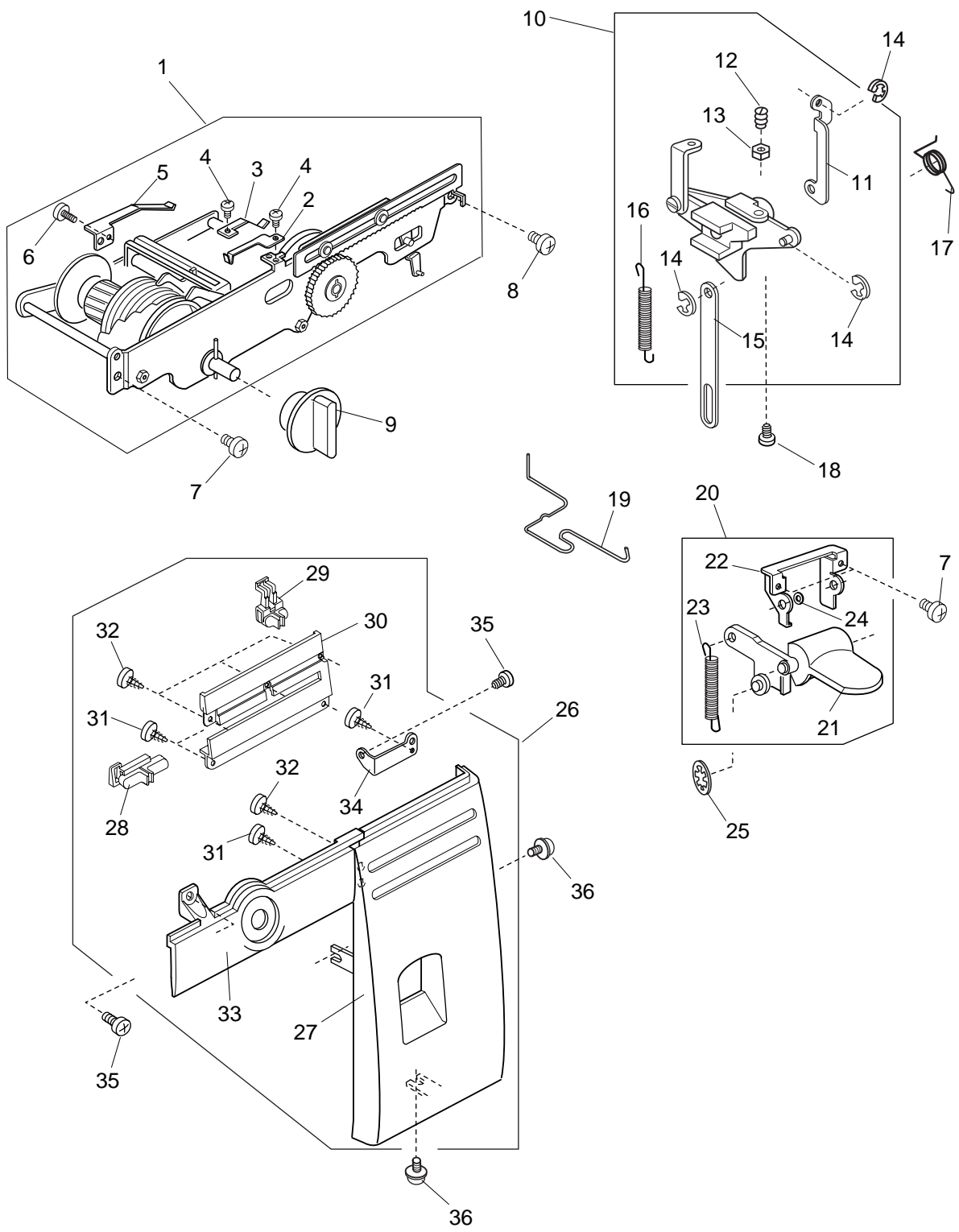
KEY NO.	PART NO.	NAME
1	303606000	FRONT BRACKET UNIT FOR AUSTRALIA, U.K. & CONTINENTAL EUROPE
	303619006	FRONT BRACKET UNITFOR U.S.A & CANADA
2	303018009	FRONT BRACKET FOR AUSTRALIA, U.K. & CONTINENTAL EUROPE
	303068004	FRONT BRACKET FOR U.S.A. & CANADA
3	303019000	TENSION RELEASE LEVER
4	000013903	SNAP RING CS-4
5	000101404	SETSCREW 4X6
6	303021005	FACE PLATE BASE PLATE
7	730024004	NEEDLE BAR SUPPORTER SPRING
8	740618208	LAMP SOCKET UNIT FOR AUSTRALIA, U.K. & CONTINENTAL EUROPE
	647510609	LAMP SOCKET UNIT FOR U.S.A.
	647513048	LAMP SOCKET UNIT FOR CANADA
9	000009009	LAMP BULB 240V FOR AUSTRALIA, U.K. & CONTINENTAL EUROPE
	000009803	LAMP BULB 120V FOR U.S.A. & CANADA
10	000053008	NYLON BELT
11	303017008	PRESSER BAR
12	303067003	PRESSER BAR SPRING
13	822069009	PRESSER BAR BRACKET
14	000111500	HEXAGONAL SOCKET SCREW 4X8
15	102222009	PRESSER REGULATOR SPRING
16	652104004	PRESSER BAR BUSHING
17	000193001	SETSCREW 4X6
18	822071004	PRESSER FOOT LIFTER
19	822072005	PRESSER FOOT LIFTER PIN
20	000072302	WASHER
21	000103509	SETSCREW 4X10
22	611520003	FOOT HOLDER UNIT
23	763048006	THUMB SCREW
24	303503006	TENSION REGULATOR UNIT
25	739016000	TOP COVER THREAD GUIDE
26	000103808	SETSCREW 3X5
27	000101703	SETSCREW 4X12
28	000081005	SETSCREW 4X8
29	303620000	TENSION RELEASE ARM UNIT
30	739017001	TENSION RELEASE ARM BASE
31	739018002	TENSION RELEASE ARM
32	303070009	TENSION RELEASE SPRING
33	000002105	SNAP RING E-3
34	303008006	ARM THREAD GUIDE



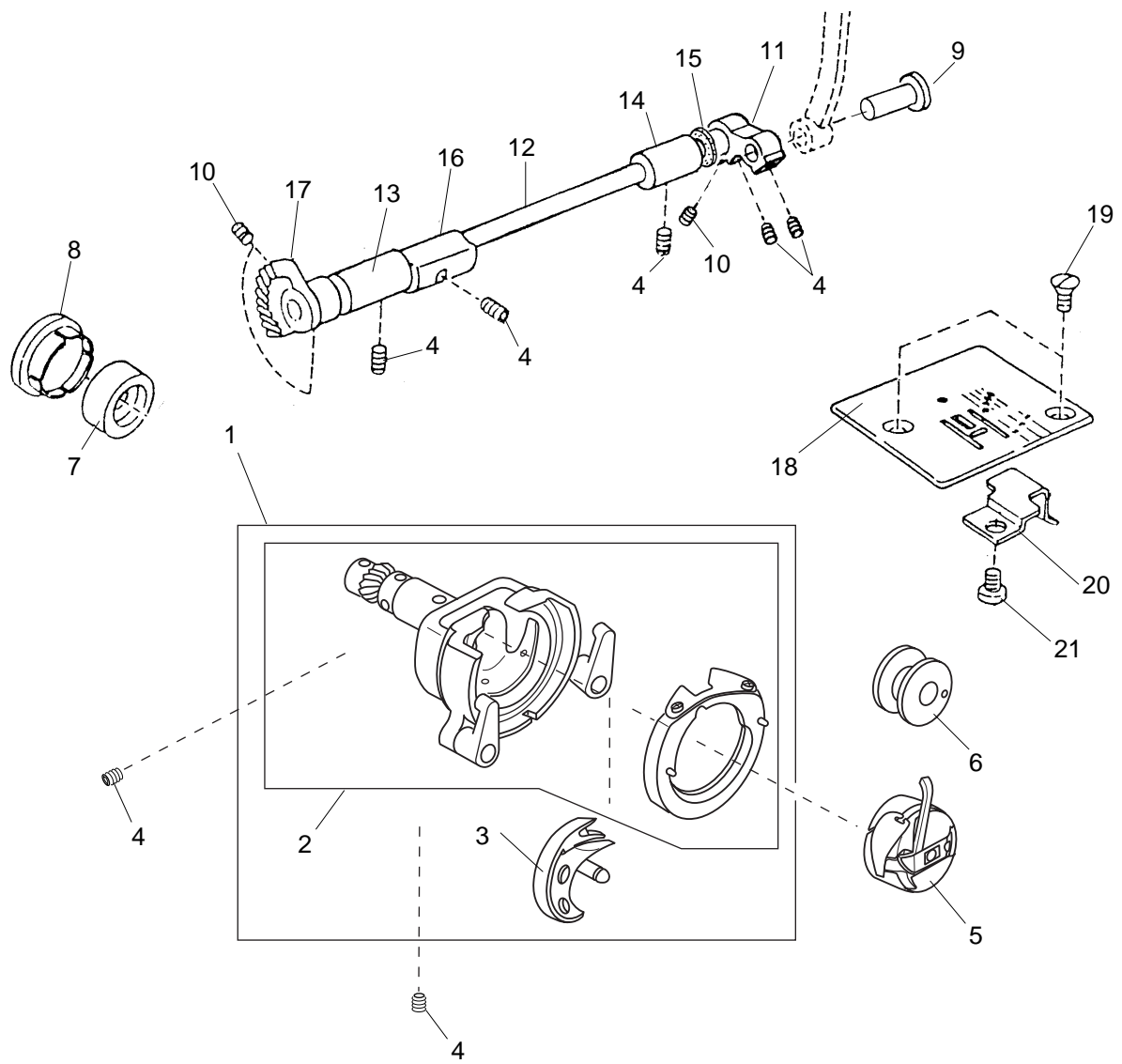
KEY NO.	PART NO.	NAME
1	303604008	NEEDLE BAR SUPPORTER UNIT
2	303020107	NEEDLE BAR SUPPORTER
3	730022002	NEEDLE BAR SUPPORTER PIN
4	673022002	SPRING WASHER
5	000070609	PLAIN WASHER 6
6	000002507	SNAP RING E-4
7	000111902	HEXAGONAL SOCKET SCREW 3X4
8	303605009	NEEDLE THREADER SHAFT UNIT
9	303016007	NEEDLE THREADER SHAFT
10	000003508	SPRING PIN
11	755643002	NEEDLE THREADER PLATE
12	734107004	WASHER
13	000125105	GROOVED PIN
14	840035002	NEEDLE THREADER SPRING
15	303064000	NEEDLE THREADER GUIDE PLATE
16	840037004	NEEDLE THREADER LEVER SUPPORTER
17	840034001	NEEDLE THREADER LEVER
18	000078319	SETSCREW 3X6
19	734625003	NEEDLE THREADER REGULATOR UNIT
20	734101008	NEEDLE THREADER REGULATOR
21	734102009	NEEDLE THREADER BASE PLATE
22	000097602	SETSCREW 2X4
23	000111902	HEXAGONAL SOCKET SCREW 3X4
24	730503116	NEEDLE BAR UNIT
25	680504005	NEEDLE BAR CONNECTING STUD UNIT
26	000111304	HEXAGONAL SOCKET SCREW 5X5
27	102408089	NEEDLE, SIZE 14
28	680036001	STOPPER
29	000070506	WASHER
30	000066303	BOLT
31	748021006	ZIGZAG ROD WASHER
32	722033001	ZIGZAG ROD
33	678084007	ECCENTRIC PIN
34	625506109	THREAD TAKE-UP LEVER UNIT
35	731511006	THREAD TAKE-UP LEVER PIN
36	000002806	SNAP RING E-6
37	730509008	NEEDLE BAR CRANK PIN UNIT



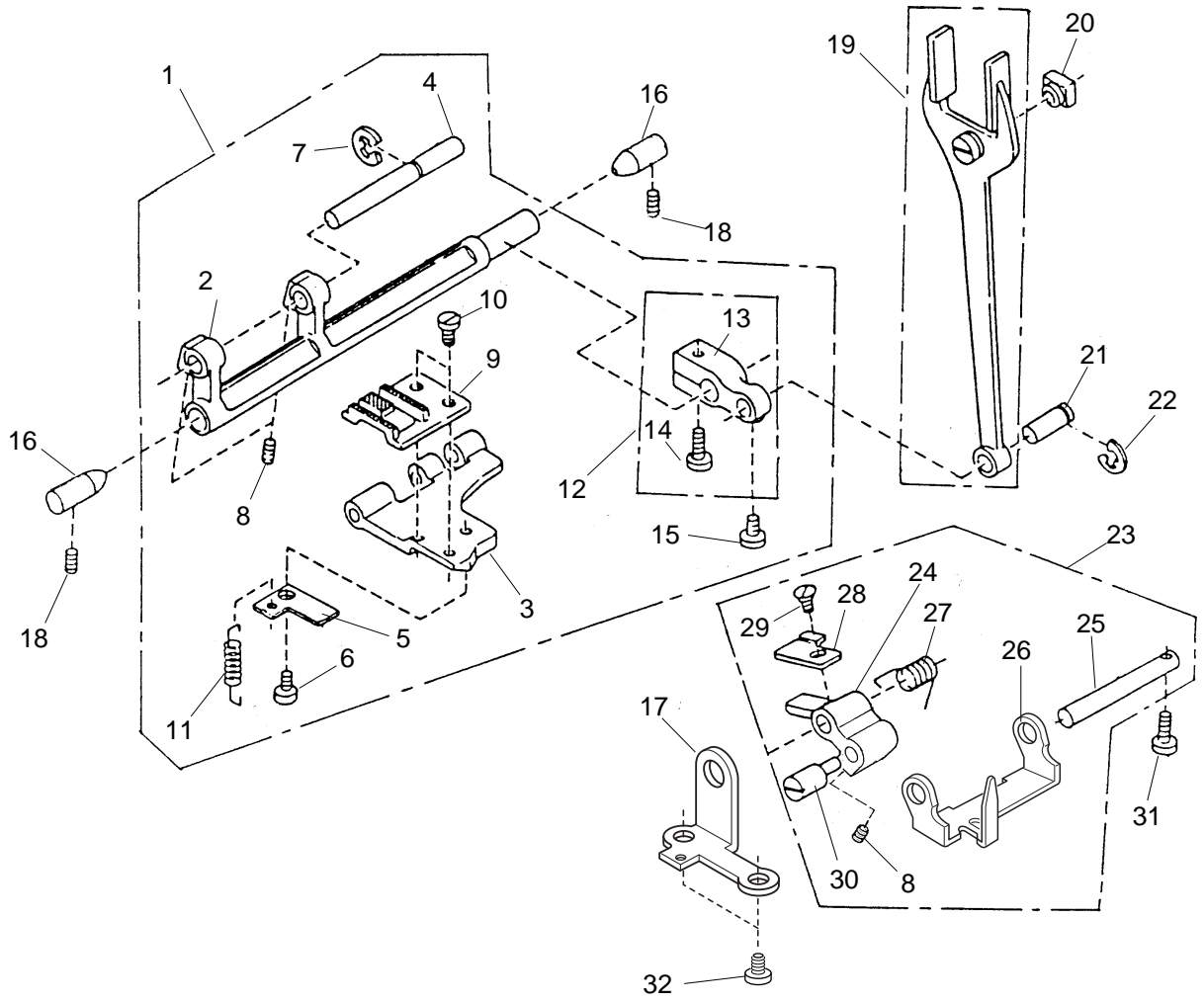
KEY NO.	PART NO.	NAME
1	303608002	UPPER SHAFT (UNIT)
2	102073003	SCREW
3	102063000	SCREW
4	000111304	HEXAGONAL SOCKET SCREW 5X5
5	553245008	HEXAGONAL SOCKET SCREW
6	000111108	HEXAGON SOCKET SCREW 4X6
7	743029009	FELT
8	731312005	FELT
9	732003003	UPPER SHAFT REAR BUSHING
10	738634007	CRANK ROD UNIT
11	735064001	CRANK ROD PIN
12	000024206	SPRING PIN 3X30
13	502064003	CLUTCH RING
14	502065004	CLUTCH SPRING
15	303025009	BELT WHEEL
16	000030205	SNAP RING E-8
17	000023803	SPRING PIN 4X40
18	303609003	HANDWHEEL UNIT
19	303026000	HANDWHEEL
20	303027001	BALANCE WEIGHT
21	000161206	TAPPING SCREW 3X10B
22	738046006	TIMING BELT



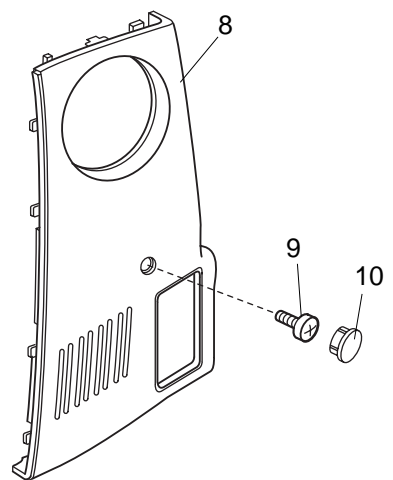
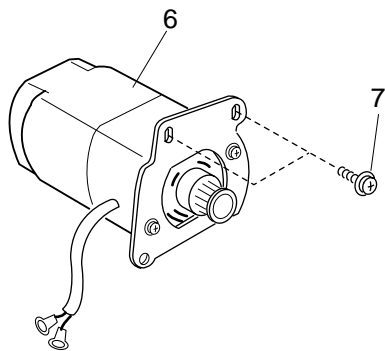
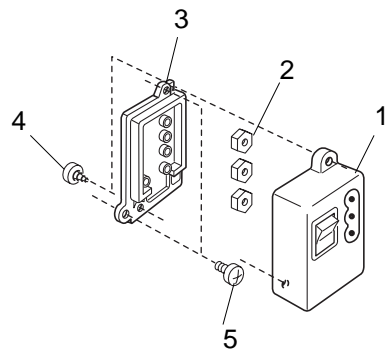
KEY NO.	PART NO.	NAME
1	303613000	ZIGZAG MECHANISM UNIT
2	303028002	INDEX SPRING
3	303051004	INDEX SPRING
4	000078319	SETSCREW 3X6
5	303066002	FEED ASSISTANCE SPRING
6	000103808	SETSCREW 3X5
7	000081005	SETSCREW 4X8
8	810220003	SETSCREW
9	303052005	PATTERN SELECTOR DIAL
10	303610007	FEED REGULATOR UNIT
11	303029003	FEED REGULATOR ROD
12	648010009	SETSCREW
13	000160102	ADJUSTABLE NUT
14	000002105	SNAP RING E-3
15	731034000	REVERSE LEVER ROD
16	670100006	FEED REGULATOR SPRING
17	735077007	FEED REGULATOR BODY SPRING
18	000101301	SETSCREW 5X10
19	730041007	SPRING SUSTAINER
20	303611008	REVERSE LEVER UNIT
21	303030007	REVERSE LEVER
22	303031008	REVERSE LEVER SUPPORTER
23	731033009	REVERSE LEVER SPRING
24	000111608	SPRING WASHER
25	000013903	SNAP RING CS-5
26	303614001	FRONT COVER UNIT
27	303053109	FRONT COVER
28	303054007	WIDTH SLIDE BUTTON
29	303055008	FEED SLIDE BUTTON
30	303056009	SLIDE BUTTON PLATE
31	000120203	TAPPING SCREW 3X8
32	000161103	TAPPING SCREW 3X6
33	303057103	FRONT PANEL FRAME
34	303058001	FRONT COVER SET PLATE
35	000101404	SETSCREW 4X6
36	000115205	TP SCREW 4X6



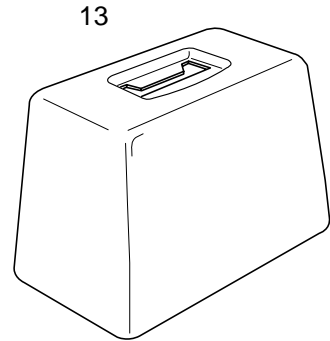
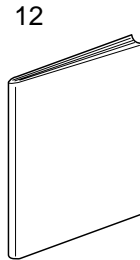
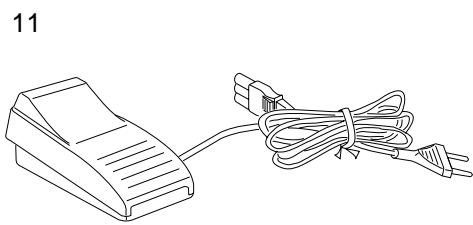
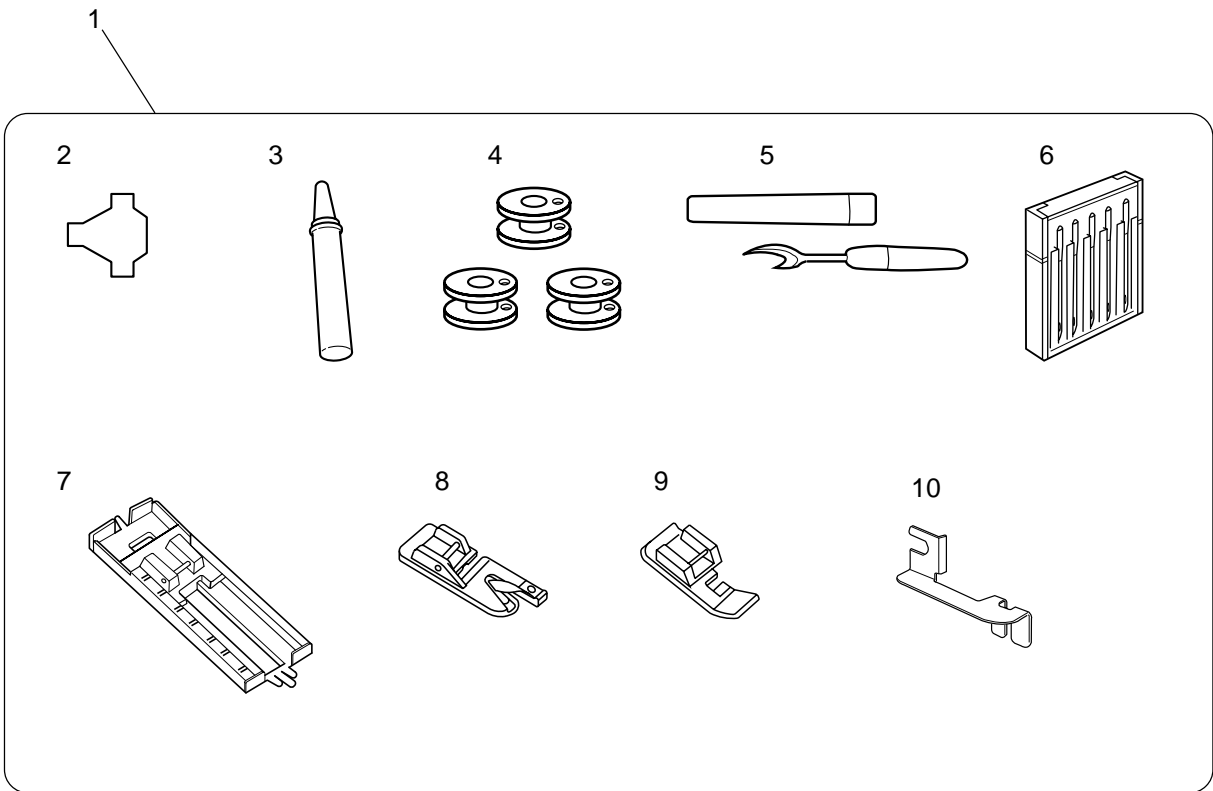
KEY NO.	PART NO.	NAME
1	640603104	HOOK RACE UNIT
2	640503000	HOOK RACE UNIT
3	532096007	HOOK
4	000111304	HEXAGONAL SOCKET SCREW 5X5
5	647515006	BOBBIN CASE UNIT
6	102261000	BOBBIN
7	640018003	HOOK DRIVER SHAFT BUSHING
8	626045407	CAP
9	735064001	CRANK ROD PIN
10	000110107	HEXAGONAL SOCKET SCREW 5X5 WP
11	738023007	LOWER SHAFT CRANK
12	647142008	LOWER SHAFT
13	738024008	LOWER SHAFT FRONT BUSHING
14	640038009	LOWER SHAFT REAR BUSHING
15	722034002	FELT
16	647043008	FEED LIFTING CAM
17	730038001	LOWER SHAFT GEAR
18	730027007	NEEDLE PLATE
19	681009101	FLAT SCREW
20	730107002	GEAR BOX UPPER COVER
21	000101404	SCREW 4X6



KEY NO.	PART NO.	NAME
1	730611004	FEED ROCK SHAFT UNIT
2	730057006	FEED ROCK SHAFT
3	647066007	FEED DOG BASE
4	647134007	FEED DOG BASE SHAFT
5	648019008	FEED DOG BASE SLIDING PLATE
6	102021202	SETSCREW
7	000002507	SNAP RING E-4
8	000111108	HEXAGON SOCKET SCREW 4X6
9	730184003	FEED DOG
10	730183002	SETSCREW
11	672042005	FEED DOG BASE SPRING
12	647612015	FEED ROCK SHAFT CRANK UNIT
13	647064005	FEED ROCK SHAFT CRANK
14	102151006	SETSCREW
15	102205006	SETSCREW
16	738055008	STRAIGHT PIN
17	303033000	FEED LIFTING ARM SHAFT HOLDER
18	000111304	HEXAGONAL SOCKET SCREW 5X5
19	647607006	FORK ROD UNIT
20	102141003	FEED REGULATOR SLIDE BLOCK
21	673103008	FEED ROCK SHAFT CONNECTING PIN
22	000002806	SNAP RING E-6
23	303612009	FEED LIFTING ARM UNIT
24	738028002	FEED LIFTING ARM
25	730058007	FEED LIFTING ARM SPRING
26	303069005	DROP FEED SELECTING PLATE
27	730061003	DROP FEED SELECTING SPRING
28	730062004	SLIDING PLATE
29	365032001	FLAT SCREW
30	730063016	FEED LIFTING CRANK ROLLER SHAFT
31	000101703	SCREW 4X12
32	000101404	SCREW 4X6



KEY NO.	PART NO.	NAME
1	739503308	MACHINE SOCKET UNIT FOR AUSTRALIA, U.K. & CONTINENTAL EUROPE
	739505403	MACHINE SOCKET UNIT FOR U.S.A. & CANADA
2	000060802	NUT
3	739037007	MACHINE SOCKET COVER
4	000107802	TAPPING SCREW 3X10B
5	000103509	SETSCREW 4X10
6	303615002	MOTOR UNIT FOR AUSTRALIA & U.K.
	303616003	MOTOR UNIT FOR U.S.A. & CANADA
	303615105	MOTOR UNIT FOR CONTINENTAL EUROPE
7	000115504	TP SCREW 5X10
8	303059002	BELT COVER
9	000106801	SETSCREW 4X35
10	653006101	CAP



KEY NO.	PART NO.	NAME
1	303870007	ACCESSORY SET
2	653802002	SCREW DRIVER
3	741814003	OIL
4	102261000	BOBBIN
5	647808009	SEAM RIPPER/BUTTONHOLE OPENER
6	540401026	NEEDLE SET
7	611413002	SLIDING BUTTONHOLE FOOT
8	743815000	HEMMER FOOT
9	611406002	ZIPPER FOOT
10	674401002	HEM GUIDE
11	033870104	FOOT CONTROL FOR U.S.A. & CANADA
	042870102	FOOT CONTROL FOR AUSTRALIA
	042870401	FOOT CONTROL FOR U.K.
	042870308	FOOT CONTROL FOR CONTINENTAL EUROPE
12	303800006	INSTRUCTION BOOK (ENGLISH, FRENCH & SPANISH)
	303800017	INSTRUCTION BOOK (DUTCH, FRENCH & GERMAN)
13	488701002	COVER