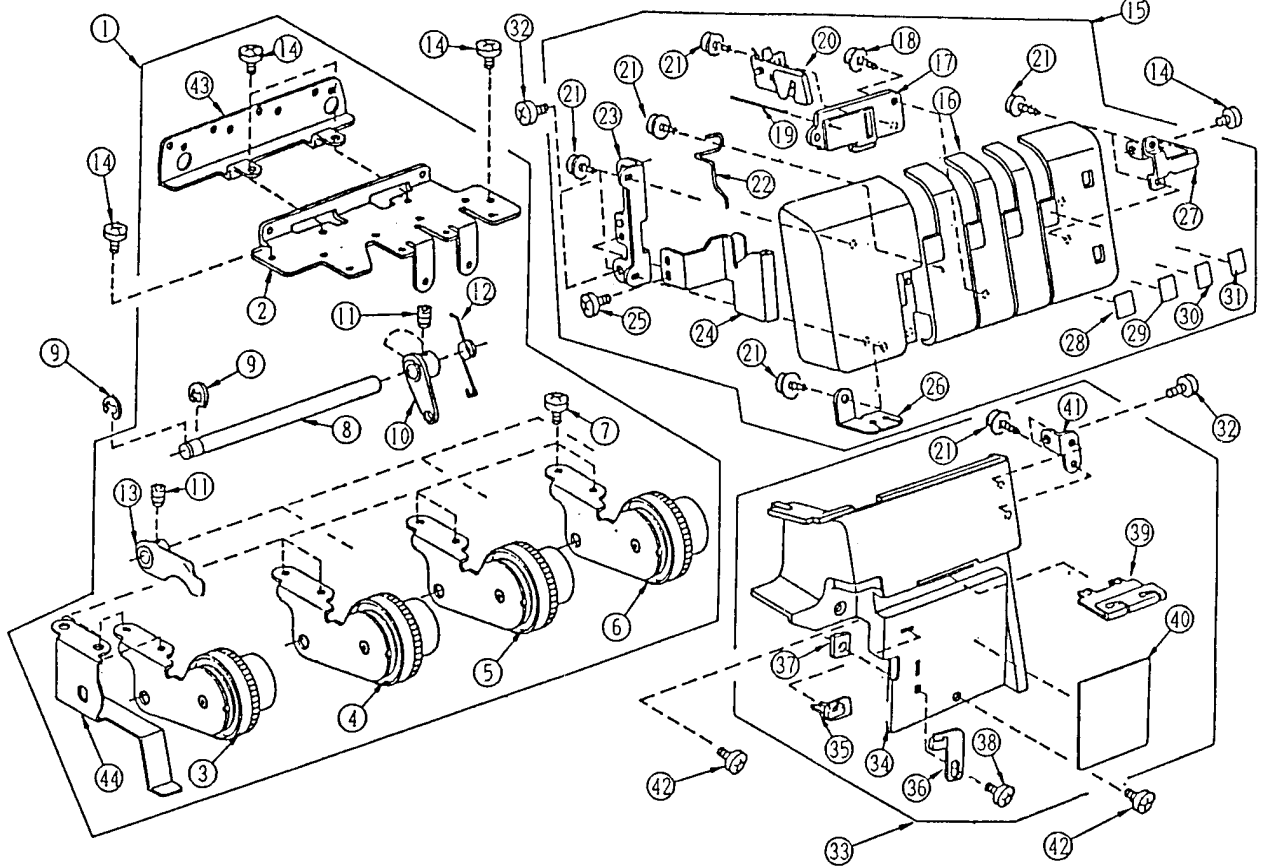


PARTS LIST FOR MODEL 434D

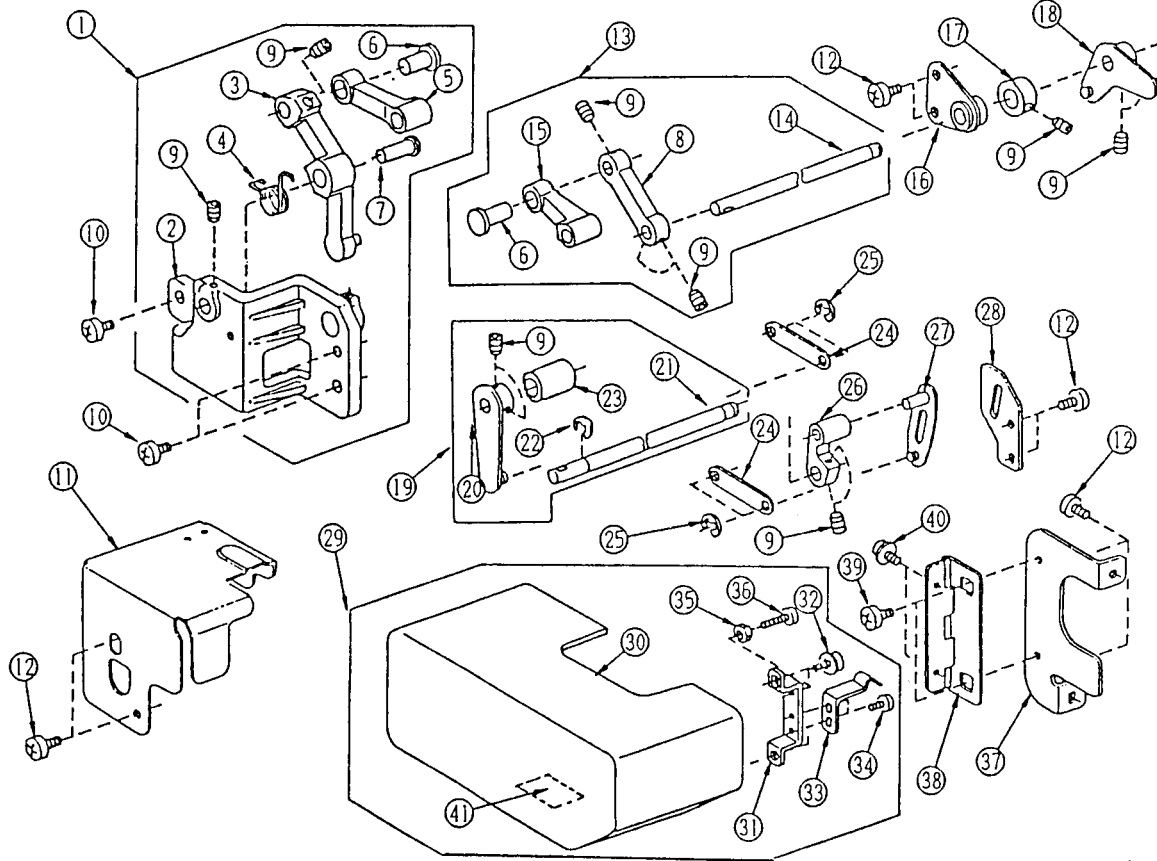
1/10



NO	Part No.	Part name	NO	Part No.	Part name
1	787620002	Thread tension dial set plate unit	24	787140003	Thread take up lever cover
2	787117001	Thread tension dial set plate	25	000101105	Set screw 3 X 4
3	787503008	Left needle thread tension dial unit	26	787141004	Needle bar thread guide
4	787504009	Right needle thread tension dial unit	27	787142005	Panel set plate
5	787505000	Upper looper thread tension dial unit	28	787143006	Seam guide
6	787506001	Lower looper thread tension dial unit	29	787143109	Seam guide
7	810220003	Set screw 4 X 6.5	30	787143202	Seam guide
8	787126003	Thread tension release shaft	31	787143305	Seam guide
9	000001609	Snap ring E-5	32	000081005	Set screw 4 X 8
10	787127004	Thread tension release lever	33	787621003	Front panel unit
11	000111201	Hexagon socket screw 4 X 4	34	787130206	Front panel
12	787183008	Thread tension release spring	35	787131001	Upper looper thread guide
13	787128005	Thread tension release plate	36	784106008	Lower looper thread guide(1)
14	000101404	Set screw 4 X 6	37	630005006	Nut
15	787622004	Tension cover unit (for JA)	38	000066727	Set screw 3 X 8
	787622107	Tension cover unit (for NH)	39	787132002	Looper thread guide
16	787135201	Tension cover (for JA)	40	787133003	Threading chart
	787135304	Tension cover (for NH)	41	787134004	Front panel set plate
17	787136006	Check spring set plate	42	000103417	Set screw 4 X 8
18	000149002	Set screw 3 X 10(B)	43	787129006	Tension thread guide plate
19	787137007	Thread guide pin	44	787203005	Dial cover
20	785607007	Check spring unit			
21	000149301	Set screw			
22	787138008	Needle bar thread guide pin			
23	787139009	Thread take up lever cover set plate			

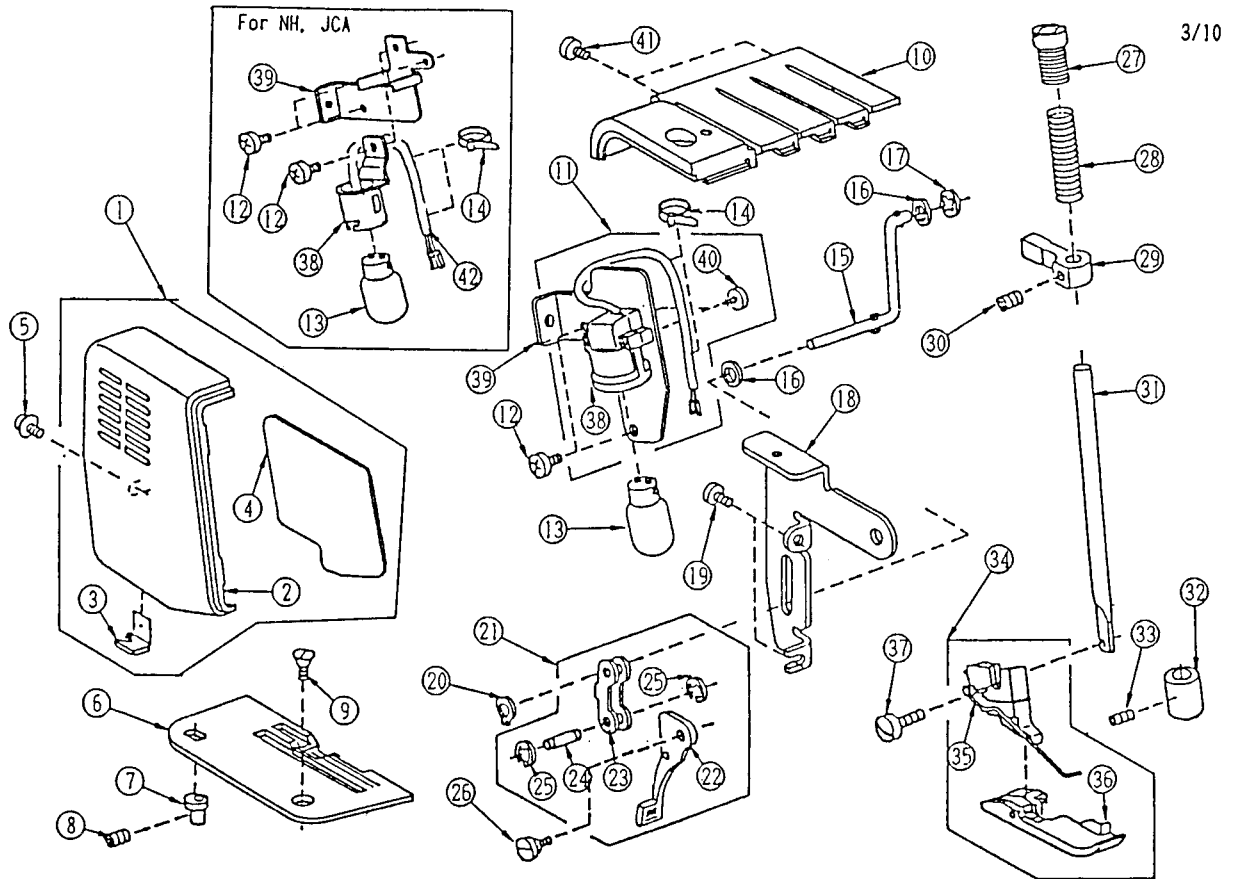
PARTS LIST FOR MODEL 434D

2/10



NO	Part No.	Part name	NO	Part No.	Part name
1	787636001	Feed regulator unit	28	787085009	Differential feed adjusting arm set plate
2	787074005	Feed regulator	29	787628000	Side cover unit
3	787194002	Sub feed connecting arm(3)		787628206	Side cover unit (for NH)
4	787185000	Sub feed connecting arm spring		787628103	Side cover unit (for JCA)
5	787067005	Feed bar link	30	787161000	Side cover
6	787195003	Feed bar connecting pin	31	787162001	Spring set plate
7	787076007	Connecting arm pin	32	000149301	Set screw 3 X 8 (B)
8	787197005	Main feed connecting arm (2)	33	787163002	Spring
9	000111201	Hexagon socket screw 4 X 4	34	000078319	Set screw 3 X 6
10	000103509	Set screw 4 X 10	35	000160009	Adjustable nut 3
11	787083007	Feed bar cover	36	000104902	Set screw 3 X 16
12	000081005	Set screw 4 X 8	37	787165004	Hinge
13	787637002	Main feed connecting arm (2) unit	38	787507002	Side cover hinge unit
14	787198006	Main feed connecting shaft	39	000101404	Set screw 4 X 6
15	787067005	Feed bar link	40	000115700	Set screw 4 X 10
16	787077008	Connecting arm supporter	41	830312016	Caution sticker (for NH)
17	650136009	Ring		100045000	Caution sticker (for JCA)
18	787084008	Main feed connecting arm (1)			
19	787638003	Sub feed connecting arm (2) unit			
20	787193001	Sub feed connecting arm (2)			
21	787080004	Sub feed connecting arm			
22	000001609	Snap ring E-5			
23	625144002	Feed bar bushing (front)			
24	787081005	Feed connecting link			
25	000002105	Snap ring E-3			
26	787082006	Sub feed connecting arm (1)			
27	787086000	Differential feed adjusting arm (1)			

PARTS LIST FOR MODEL 434D

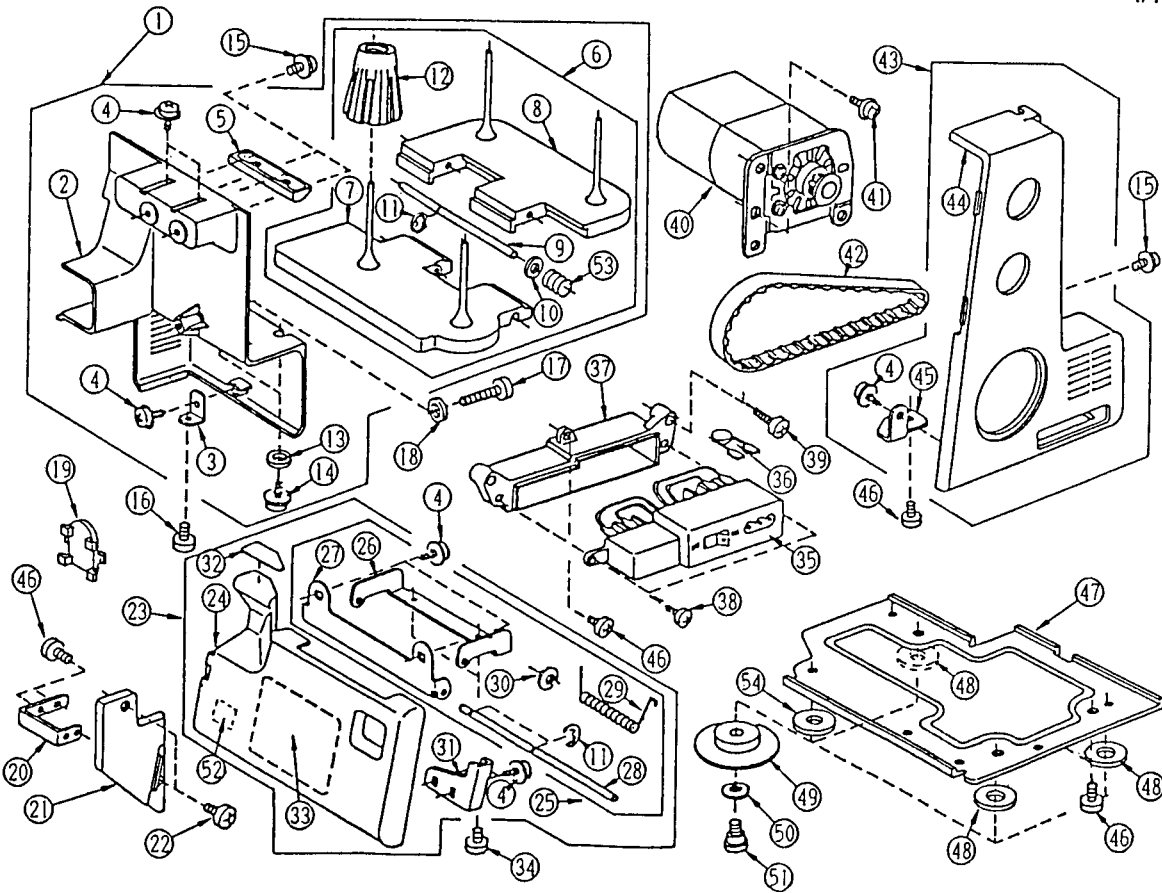


3/10

NO	Part No.	Part name	NO	Part No.	Part name
1	787608004	Face plate unit	30	000111304	Hexagon socket screw 5 X 5
2	787030009	Face plate	31	787019002	Presser bar
3	822532008	Thread cuter unit	32	785203009	Bushing
4	787031000	Reflecting sticker	33	000111201	Hexagon socket screw 4 X 4
5	000115618	Set screw 4 X 8	34	785502104	Presser foot unit
6	787601007	Needle plate unit	35	784501007	Foot holder unit
7	784004005	Eccentric pin	36	785501103	Presser foot (lower) unit
8	000111902	Hexagon socket screw 3 X 4	37	763048006	Set screw
9	681009008	Flat head set screw	38	787502007	Lamp socket unit (for JA)
10	787160009	Top cover		787512000	Lamp socket unit (for JCA)
11	787631006	Lamp socket unit (for JA)		787510008	Lamp socket unit (for NH)
12	000101404	Set screw 4 X 6	39	787026002	Lamp socket set plate (for JA)
13	000009009	Bulb 240V. 15W., BA15D		787178000	Lamp socket set plate (for NH, JCA)
	000009803	Bulb 120V. 15W.			
14	000053008	Binder	40	000161000	Set screw 3 X 9 (P)
15	787024000	Thread releasing lever	41	000103417	Set screw 4 X 8
16	000070506	Washer 4	42	785285108	Venyl tube (for JCA only)
17	000014007	Snap ring CS-4			
18	787025001	Thread release guide plate			
19	000081005	Set screw 4 X 8			
20	000014801	Snap ring G-4			
21	787607003	Presser bar lifter unit			
22	650032015	Presser bar lifter			
23	785304001	Thread release link			
24	787023009	Pin			
25	000002105	Snap ring E-3			
26	810431009	Hinge screw			
27	785204000	Presser adjusting screw			
28	787020006	Presser bar spring			
29	724118007	Presser bar bracket			

PARTS LIST FOR MODEL 434D

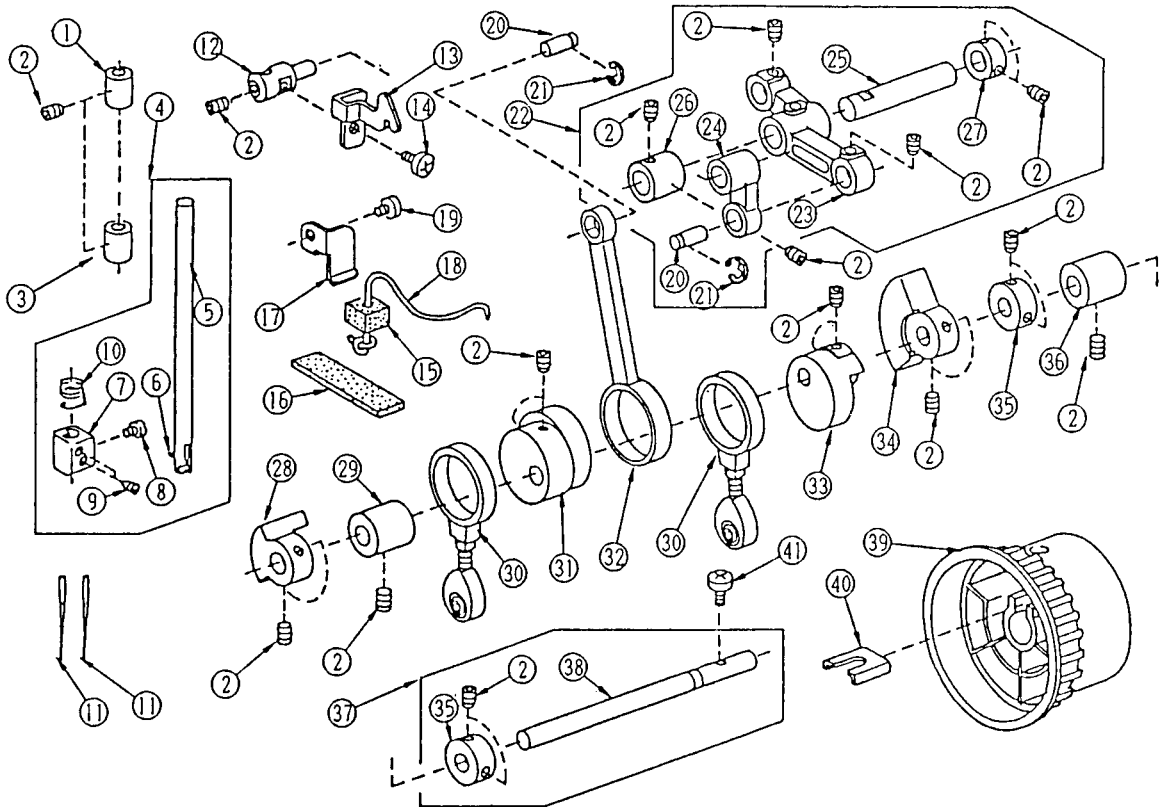
4/10



NO	Part No.	Part name	NO	Part No.	Part name
1	787623005	Back cover unit (for JA)	29	784122000	Looper cover hinge spring
	787623108	Back cover unit (for NH)	30	000071013	Washer
2	787145204	Back cover (for JA)	31	787181006	Looper cover set plate
	787145307	Back cover (for NH)	32	785394008	Guide sticker
3	787174006	Back cover set plate	33	787188006	Caution sticker
4	000149301	Set screw 3 X 8(B)	34	000101404	Set screw 4 X 6
5	787173005	Finger guard	35	784508004	Machine socket unit (for JA)
6	787624006	Spool stand unit		787508003	Machine socket unit (for NH)
7	787147000	Spool stand		784511206	Machine socket unit (for JCA)
8	787148001	Sub spool stand	36	784509005	Condensor unit (for JA only)
9	787149002	Spool stand connecting pin	37	784128017	Machine socket cover
10	000071013	Washer 4	38	000121905	Set screw 4 X 12(B)
11	000002105	Snap ring E-3	39	000104108	Set screw 4 X 20
12	784223105	Spool holder	40	787605001	Motor Unit (for JA)
13	000070506	Washer		787630005	Motor Unit (for JCA)
14	000149002	Set screw 3 X 10(B)		787629001	Motor Unit (for NH)
15	000115618	Set screw 4 X 8	41	000115504	Set screw 5 X 10
16	000081005	Set screw 4 X 8	42	784124002	Timing belt
17	000101806	Set screw 4 X 30	43	787627009	Belt cover unit
18	000070528	Washer 4	44	787157003	Belt cover
19	787155001	Arm cover	45	787158004	Belt cover set plate
20	787153009	Looper cover guide set plate	46	000081005	Set screw 4 X 8
21	787154000	Looper cover guide	47	787156002	Base plate
22	000078320	Set screw 3 X 6	48	785260004	Washer
23	787625007	Looper cover unit (for JA)	49	784135006	Base cushion
	787625203	Looper cover unit (for NH)	50	000070300	Washer 5
	787625100	Looper cover unit (for JCA)	51	784169009	Hinge screw (Large)
24	787150202	Looper cover	52	100045000	Caution sticker (for JCA)
25	787626008	Looper cover hinge unit		830312016	Caution sticker (for NH)
26	787151007	Looper cover supporter	53	787201003	Spring
27	787152008	Looper cover hinge	54	787204006	Base cushion washer
28	784121010	Looper cover hinge pin			

PARTS LIST FOR MODEL 434D

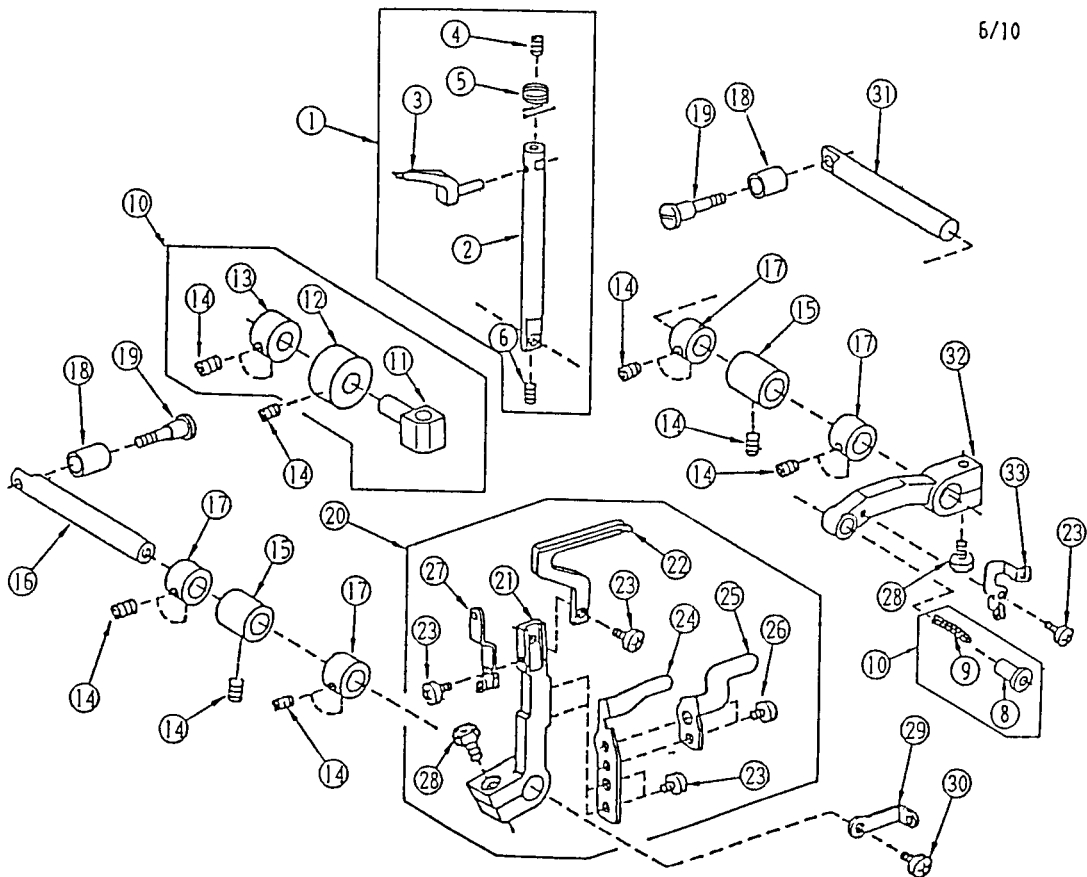
5/10



NO	Part No.	Part name	NO	Part No.	Part name
1	784027004	Bushing	31	787007007	Needle bar cam
2	000111201	Hexagon socket screw 4 X 4	32	784011005	Needle bar crank rod
3	784028005	Bushing	33	787004004	Upper looper cam
4	787606002	Needle bar unit	34	787176008	Balance weight (right)
5	787015008	Needle bar	35	619006002	Ring
6	000022307	Pin 1.6 X 8	36	784009000	Bushing
7	785004020	Needle bar clamp	37	787602008	Main shaft unit
8	785026017	Set screw	38	787003003	Main shaft
9	785008024	Needle set screw	39	787175007	Balance wheel
10	785009003	Needle bar thread guide	40	787114008	Balance wheel set plate
11	784157015	Needle HA-1 SP 14	41	000101703	Set screw 4 X 12
12	784024001	Connecting stud			
13	787014007	Take up lever			
14	000078319	Set screw 3 X 6			
15	787027003	Felt (1)			
16	787028004	Felt (2)			
17	787029005	Felt holder			
18	787159005	String			
19	000101404	Set screw 4 X 6			
20	784022009	Link pin			
21	000001609	Snap ring E-5			
22	787604000	Needle bar crank unit			
23	787021007	Needle bar crank			
24	787146009	Needle bar link			
25	787010003	Needle bar crank shaft			
26	787011004	Ring			
27	624245001	Ring			
28	787177009	Balance weight (left)			
29	673062004	Upper shaft rear bushing			
30	784602009	Looper cam ring unit			

PARTS LIST FOR MODEL 434D

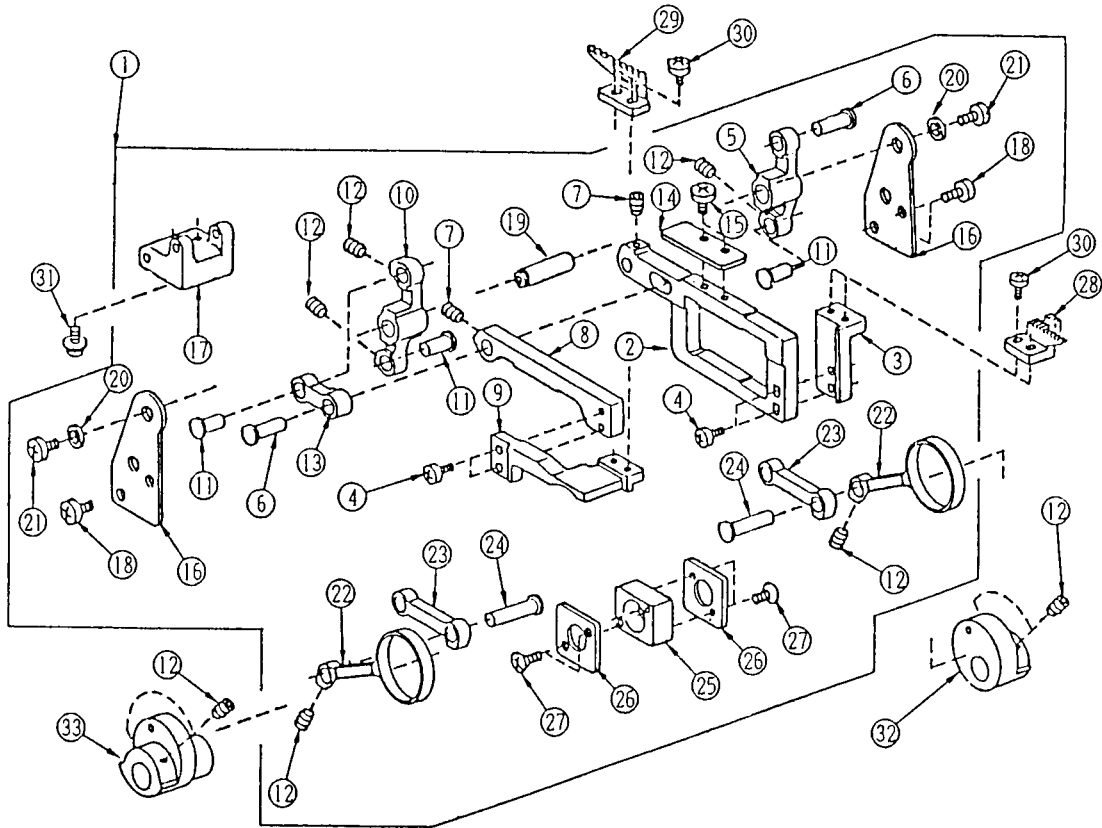
5/10



NO	Part No.	Part name	NO	Part No.	Part name
1	787618007	Upper looper shaft unit	30	000103004	Set screw 3.5 X 6
2	787111005	Upper looper shaft	31	787105006	Upper looper crank shaft
3	784076008	Upper looper	32	787109000	Upper looper drive arm
4	000112501	Hexagon socket screw	33	787110004	Looper thread guide
5	784077009	Upper looper thread guide(3)			
6	000177205	Hexagon socket screw 3 X 6			
7	787632007	Upper looper pin unit			
8	787115009	Upper looper pin			
9	787192000	String			
10	787619008	Upper looper shaft guide unit			
11	787112006	Upper looper shaft guide			
12	787113007	Bushing			
13	624245001	Ring			
14	000111201	Hexagon socket screw			
15	787104005	Bushing			
16	787116000	Lower looper crank shaft			
17	787106007	Ring			
18	787107008	Crank ring			
19	787108009	Hinge screw			
20	785610209	Lower looper unit			
21	785024004	Lower looper drive arm			
22	784083008	Lower looper			
23	000078320	Set screw 3 X 6			
24	785022002	Rear needle guard			
25	785023003	Front needle guard			
26	000101116	Set screw 3 X 4			
27	784085206	Lower looper thread guide(3)			
28	000138008	Bolt 4 X 16			
29	785010203	Lower looper shaft thread guide			

PARTS LIST FOR MODEL 434D

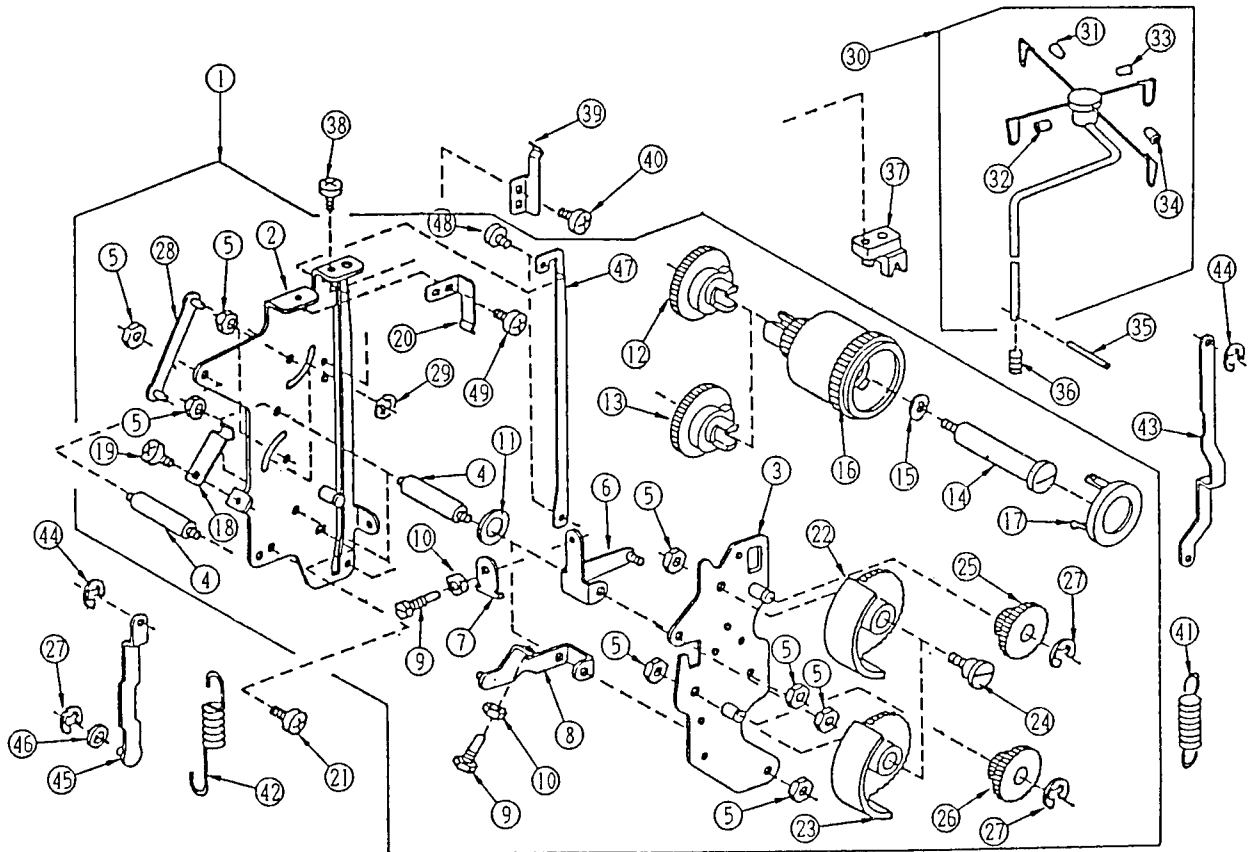
8/10



NO	Part No.	Part name	NO	Part No.	Part name
1	787612001	Feed bar unit	31	000114802	Set screw 4 X 12
2	787051006	Main feed bar	32	787072003	Main feed cam
3	787052007	Main feed dog bracket	33	787073004	Sub feed cam
4	000080406	Set screw 3 X 10			
5	787054009	Main feed bar drive arm			
6	787055000	Pin			
7	000111902	Hexagon socket screw			
8	787056001	Sub feed bar			
9	787057002	Sub feed dog bracket			
10	787058003	Sub feed drive arm			
11	787059004	Pin			
12	000111201	Hexagon socket screw 4 X 4			
13	787060008	Sub feed bar link			
14	787061009	Feed bar hold plate			
15	810220003	Set screw 4 X 6.5			
16	787062000	Feed bar set plate			
17	787063001	Feed bar bracket			
18	000081005	Set screw 4 X 8			
19	787064002	Feed bar pin			
20	000070908	Washer			
21	810220003	Set screw 4 X 6.5			
22	787065003	Feed bar link			
23	787066004	Feed rocking link			
24	787068006	Pin			
25	787070001	Block			
26	787071002	Set plate			
27	787189004	Set screw 2.6 X 5			
28	787053008	Main feed dog			
29	785111102	Sub feed dog			
30	000066705	Set screw 3 X 8			

PARTS LIST FOR MODEL 434D

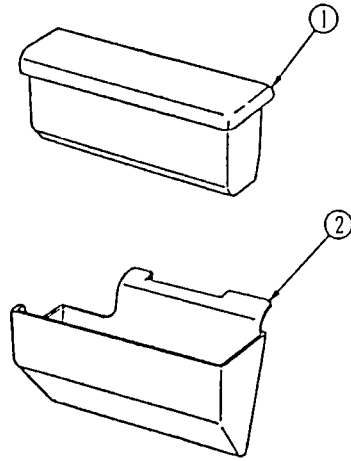
9/10



NO	Part No.	Part name	NO	Part No.	Part name
1	787615004	Feed adjuster bracket unit	29	000014306	Snap ring CS-3
2	787087001	Frame (1)	30	787616005	Thread guide bar unit
3	787088002	Frame (2)	31	787190008	Thread guide cap
4	785375003	Pin	32	787190101	Thread guide cap
5	000061205	Nut	33	787190204	Thread guide cap
6	787089003	Feed adjuster arm	34	787190307	Thread guide cap
7	785156006	Base plate	35	787097004	Pin
8	787090007	Differential feed adjuster arm	36	000111902	Hexagon socket screw
9	785224006	Adjusting screw	37	787095002	Thread guide bar stopper
10	000160102	Adjustable nut 4	38	000161206	Set screw 3 X 10(B)
11	000036500	Washer FT60 X 0.5	39	787099006	Spring
12	787091008	Feed adjuster cam	40	000081119	Set screw 4 X 6
13	787092009	Differential feed adjuster cam	41	785146003	Spring
14	785218007	Dial shaft	42	787170002	Spring
15	000116206	Washer 6	43	787102003	Feed rod
16	785309109	Dial	44	000002105	Snap ring E-3
17	785221106	Dial cover	45	787103004	Differential feed rod
18	785140007	Index spring (1)	46	000070609	Washer 6
19	000081119	Set screw 4 X 6	47	787191009	Set plate
20	787093000	Index spring (2)	48	000101105	Set screw 3 X 4
21	000081005	Set screw 4 X 8	49	000101404	Set screw 4 X 6
22	785315500	Stitch length indicator			
23	785315603	Differential feed indicator			
24	785380001	Hinge screw			
25	785313003	Teathed wheel			
26	785381002	Intermediate teathed wheel			
27	000001609	Snap ring E-5			
28	787094001	Connecting rod			

PARTS LIST FOR MODEL 434D

10/10



NO	Part No.	Part name	NO	Part No.	Part name
1	787172004	Accessory box unit			
2	787171003	Dust box			