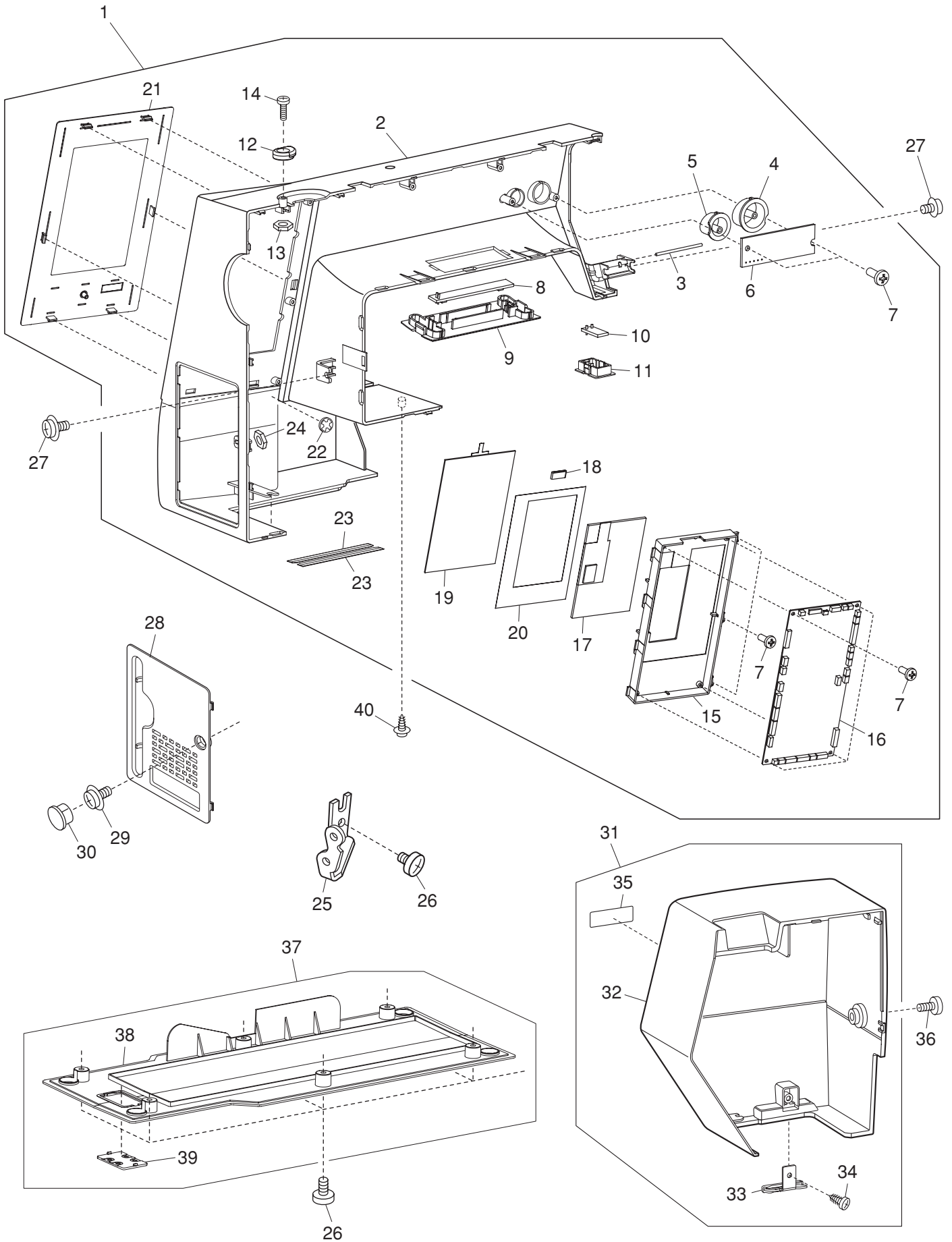


**SERVICE MANUAL**  
**&**  
**PARTS LIST**

**MODEL: MC550E**

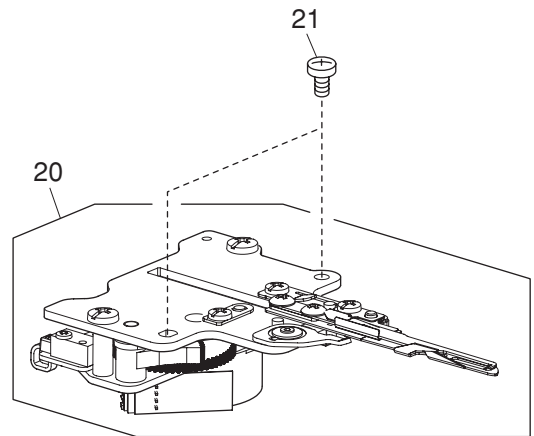
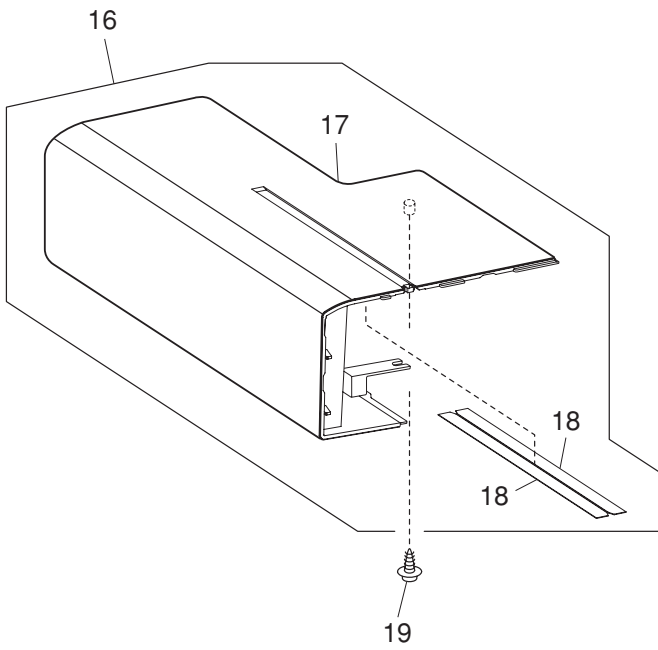
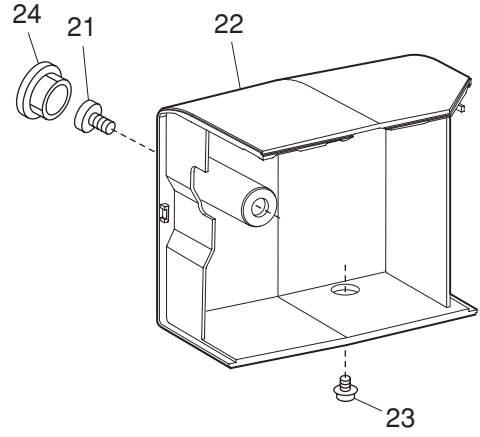
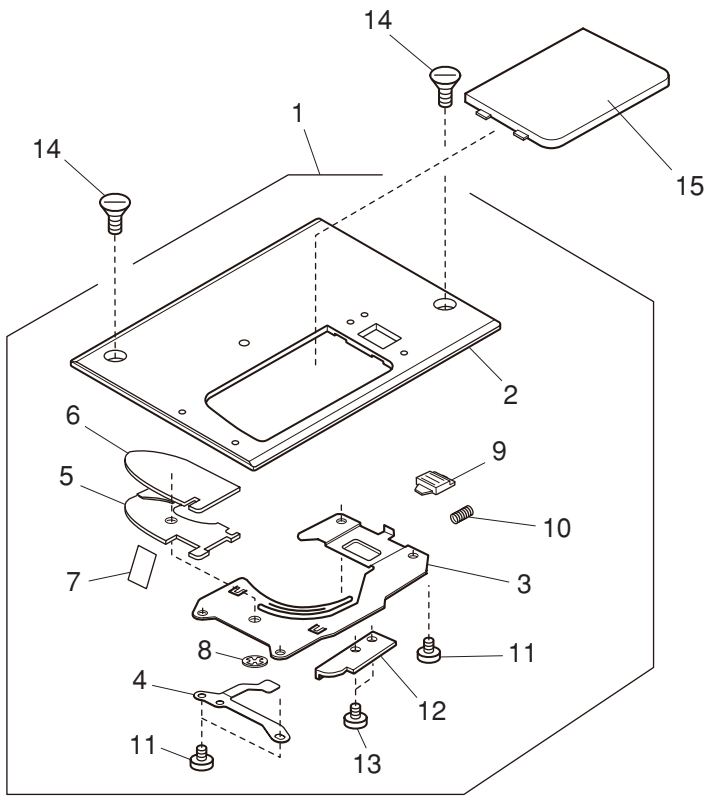
# PARTS LIST



# PARTS LIST

KEY NO.	PARTS NO.	DESCRIPTION
1	864629601	Front cover (unit)
2	864055A05	Front cover
3	639075004	Thread guide
4	864056A01	Start/stop button
5	864057A02	Button 1
6	809510102	Printed circuit board F (unit)
7	000120203	Setscrew 3x8 (B)
8	858502114	Printed circuit board L1 (unit)
9	858106000	LED cover 2
10	858511910	Printed circuit board L2 (unit)
11	860167006	Lamp cover 2
12	846177108	Bobbin winder stopper
13	000061205	Nut 4-3-7
14	000101828	Setscrew 4x16
15	861070015	Printed circuit board A case
16	864425030	Printed circuit board A (unit)
17	863523003	LCD (unit)
18	861512003	Ferrite core
19	861505106	Touch panel (unit)
20	863126A11	Touch panel sheet
21	864064F01	Ornamental plate
22	000014007	Snap ring CS-4
23	856036105	Carriage window sheet 2
24	000063104	Nut 3-2-5.5
25	639080002	Front cover set plate
26	000081005	Setscrew 4x8
27	000115205	Setscrew TP 4x6
28	864059006	Belt cover
29	000114709	Setscrew TP 3x6
30	745033002	Cap
31	864631020	Face plate (unit) (U.S.A.) (Canada)
	864631019	Face plate (unit) (Australia) (UK) (Continental Europe)
32	864060A10	Face plate
33	832508006	Thread cutter (unit)
34	000161103	Setscrew 3x6 (B)
35	100517008	Caution sticker (U.S.A.) (Canada)
36	000103509	Setscrew 4x10
37	864633000	Base plate (unit)
38	864063003	Base plate
39	850156001	Cover lid
40	000109000	Setscrew 3x6

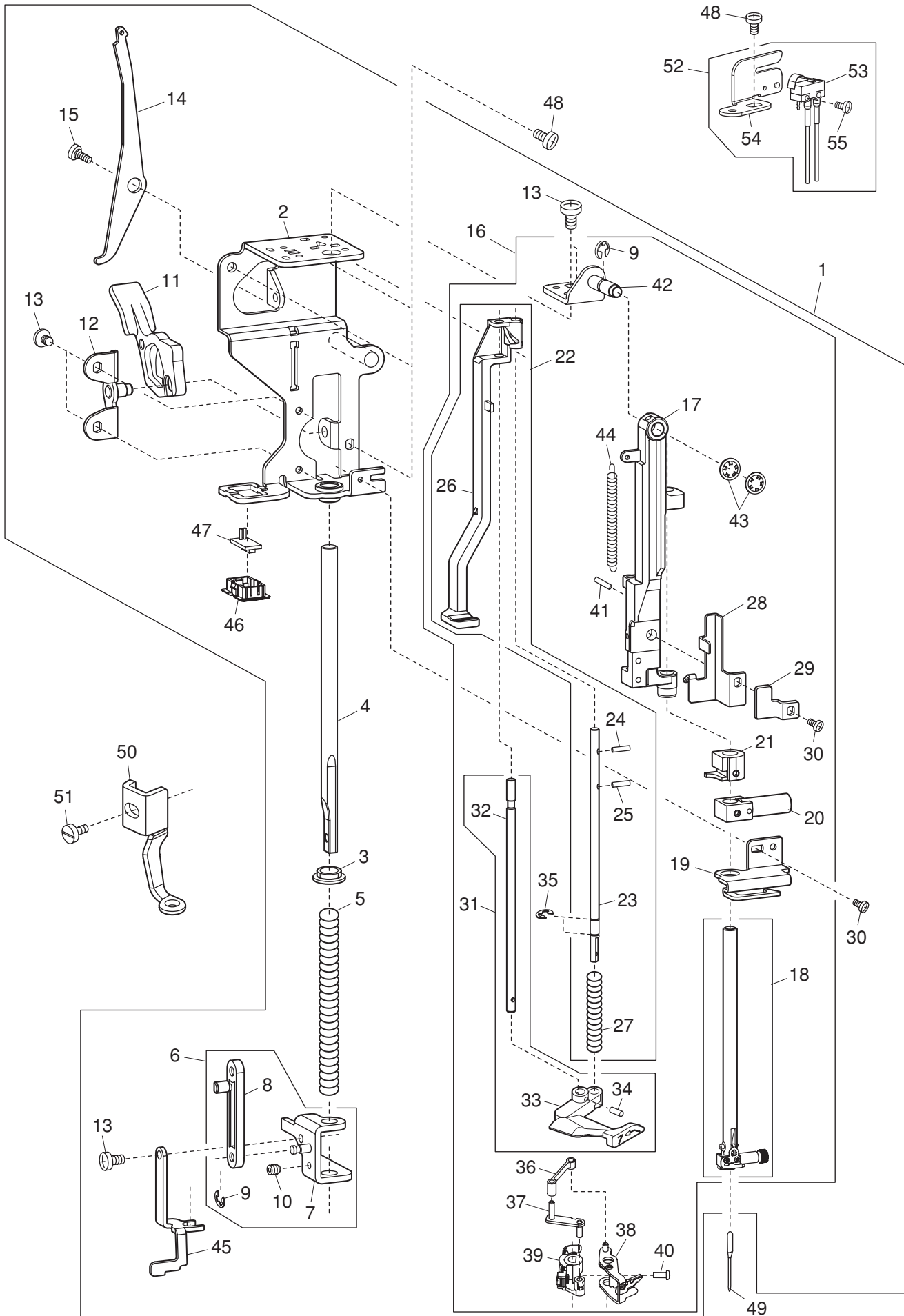
# PARTS LIST



# PARTS LIST

KEY NO.	PARTS NO.	DESCRIPTION
1	864615017	Needle plate (unit)
2	864024002	Needle plate
3	809133004	Hook cover plate supporter
4	809184000	Spring
5	809134005	Hook cover plate supporter base
6	809135006	Guide holder
7	809137008	Cutter
8	000014306	Snap ring CS-3
9	825016000	Hook cover plate release button
10	825017001	Spring
11	820374004	Setscrew 2x2.3
12	864025003	Rotation stopper
13	000163703	Setscrew 2x3.5
14	681009101	Setscrew
15	809136100	Hook cover plate
16	864632009	Bed cover (unit)
17	864061012	Bed cover
18	856009109	Carriage window sheet 1
19	000109000	Setscrew 3x6
20	864616007	Thread cutter (unit)
21	000081005	Setscrew 4x8
22	864062002	Thread cutter cover
23	000115401	Setscrew TP 3x4
24	745033002	Cap

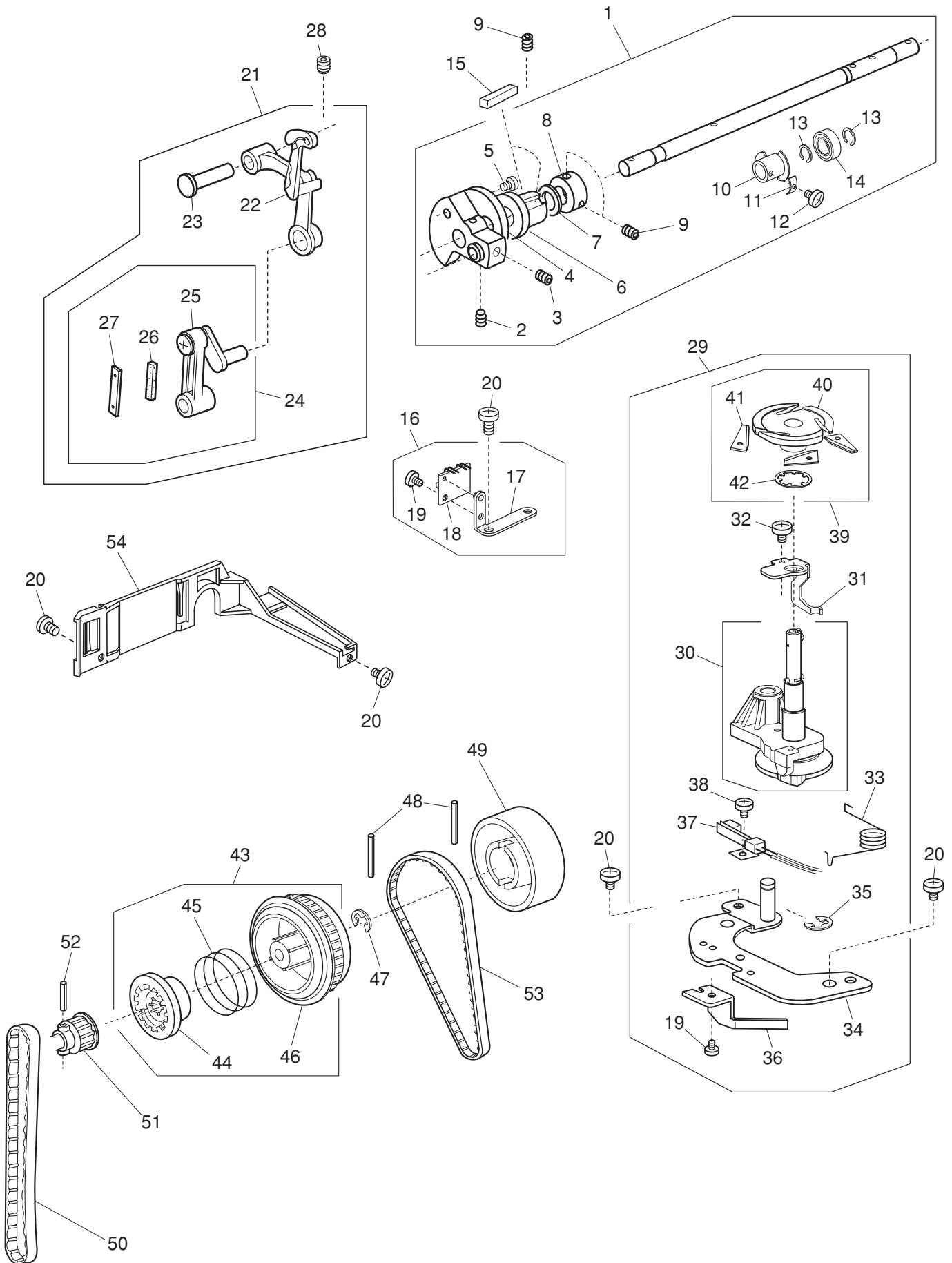
# PARTS LIST



# PARTS LIST

KEY NO.	PARTS NO.	DESCRIPTION
1	864602103	Presser bar base plate (unit)
2	864003005	Presser bar base plate
3	864004006	Presser bar bushing
4	827021004	Presser bar
5	864005007	Presser bar spring
6	864603001	Presser bar connecting stud (unit)
7	864006008	Presser bar connecting stud
8	861028007	Presser bar link
9	000002507	Snap ring E-4
10	000111500	Hexagonal socket screw 4x8
11	861025004	Presser foot lifter
12	864007009	Presser foot lifter set plate
13	000101404	Setscrew 4x6
14	861067008	Tension release lever
15	859273002	Setscrew
16	864604105	Needle bar supporter (unit)
17	858250000	Needle bar supporter
18	858538108	Needle bar (unit)
19	864009001	Needle drop adjusting plate
20	301504104	Needle bar connecting stud (unit)
21	858540000	Rotation pin stopper (unit)
22	864605003	Needle threader shaft (unit)
23	858255108	Needle threader shaft
24	000265500	Guide pin E-2x12-CH
25	000265603	Guide pin E-2x6-CH
26	858256006	Needle threader lever
27	863128004	Spring
28	858272008	Needle threader lever supporter
29	863131000	Needle threader lever supporter 2
30	000078319	Setscrew 3x6
31	862625106	Threader supporter shaft (unit)
32	858259009	Threader supporter shaft
33	814043105	Threader guide
34	000022204	Spring pin 2x6 (K)
35	000001207	Snap ring E-2.5
36	858265008	Link plate 1
37	858266009	Link plate 2
38	862626026	Threader guide plate (unit)
39	862627108	Hook holder (unit)
40	000230403	Setscrew 2x5
41	000125208	Guide pin D-2x10-CH
42	864011006	Needle bar supporter adjusting plate
43	000013903	Snap ring CS-5
44	858258019	Spring
45	864012007	Needle threader limiter plate
46	860167006	Lamp cover 2
47	859525415	Printed circuit board L2 (unit)
48	000081005	Setscrew 4x8
49	813404013	Stretch needle (Blue)
50	852890000	Embroidery foot P
51	660106001	Setscrew
52	864606004	Presser foot lifter switch (unit)
53	652520125	Micro switch (unit)
54	864013008	Presser foot lifter switch set plate
55	000102900	Setscrew 2x8

# PARTS LIST

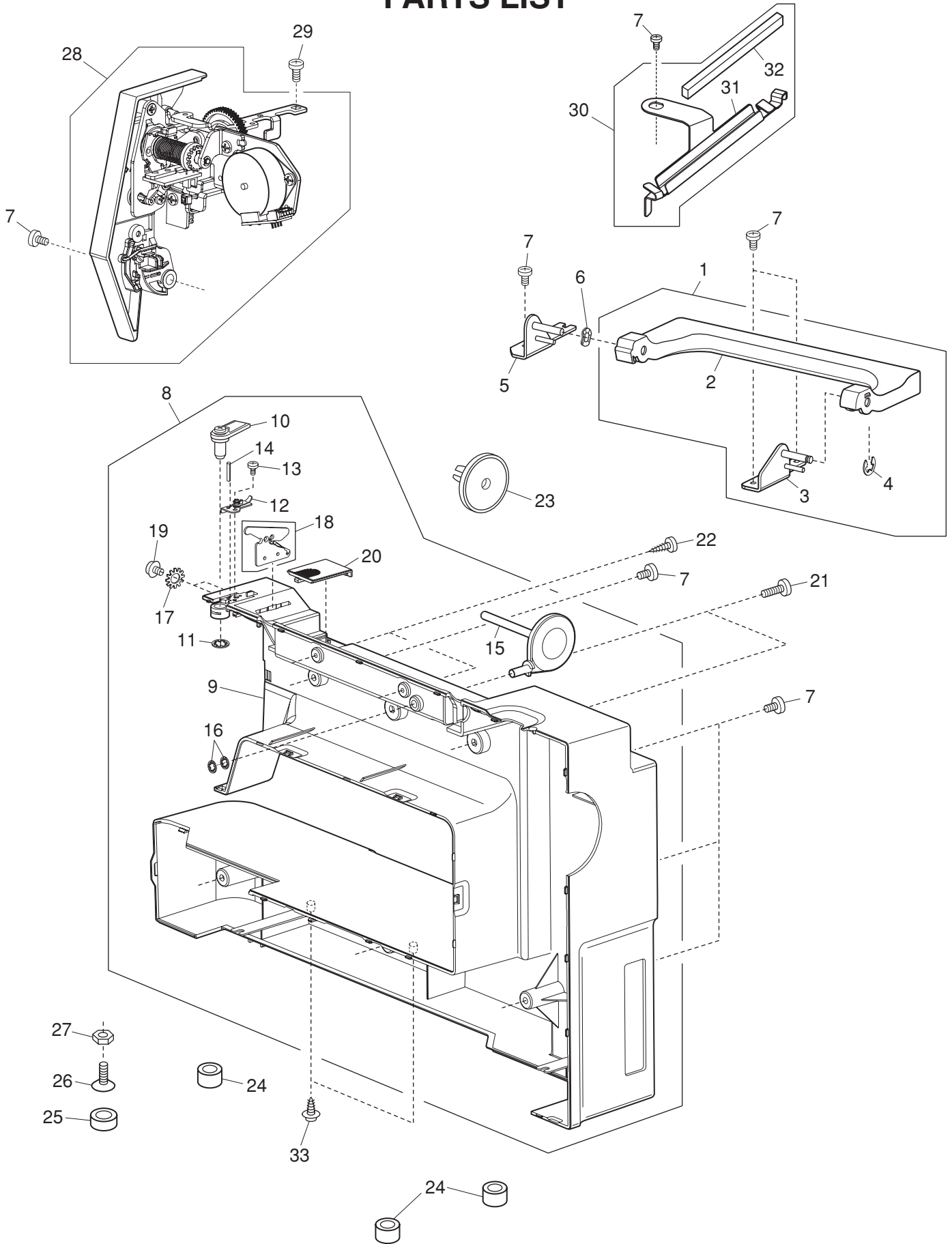




# PARTS LIST

KEY NO.	PARTS NO.	DESCRIPTION
1	864601009	Upper shaft (unit)
2	000111706	Hexagonal socket screw 5x8
3	000110901	Hexagonal socket screw 5x4
4	832068009	Presser foot lifting cam
5	000078319	Setscrew 3x6
6	670079201	Upper shaft front bushing
7	000040105	Washer
8	767077006	Ring
9	000111304	Hexagonal socket screw 5x5
10	862002008	Upper shaft shield plate
11	859033008	Washer
12	000080406	Setscrew 3x10
13	000032702	Snap ring crescent
14	767178101	Ball bearing
15	731312005	Felt
16	861620304	Upper shaft sensor (unit)
17	861039001	Sensor set plate
18	807505407	Printed circuit board P (unit)
19	000101105	Setscrew 3x4
20	000081005	Setscrew 4x8
21	864639006	Thread take-up lever (whole unit)
22	820511304	Thread take-up lever (unit)
23	508048009	Thread take-up lever pin
24	846615103	Needle bar crank (unit)
25	843543007	Needle bar crank pin (unit)
26	650040005	Felt
27	650041006	Leaf spring
28	000111201	Hexagonal socket screw 4x4
29	864618102	Bobbin winder (unit)
30	864504001	Bobbin winder
31	861096006	Clutch lever
32	000120203	Setscrew 3x8 (B)
33	861091001	Bobbin winder arm spring
34	861092105	Bobbin winder set plate
35	000001609	Snap ring E-5
36	861098008	Guide plate
37	856512100	Leaf switch (unit)
38	000081706	Setscrew 2.5x5
39	809619009	Thread cutter holder (unit)
40	809144008	Thread cutter holder
41	822032003	Thread cutter
42	000014409	Snap ring CS-8
43	858647008	Belt wheel (unit)
44	858053001	Clutch ring
45	502065004	Clutch spring
46	858054002	Belt wheel
47	000030009	Snap ring E-10
48	000024206	Spring pin 3x30
49	858055302	Handwheel
50	846098104	Timing belt 178
51	858052000	Upper shaft gear
52	000004303	Spring pin 3x20
53	858118005	Timing belt 168
54	861078002	Cord guide (rear)

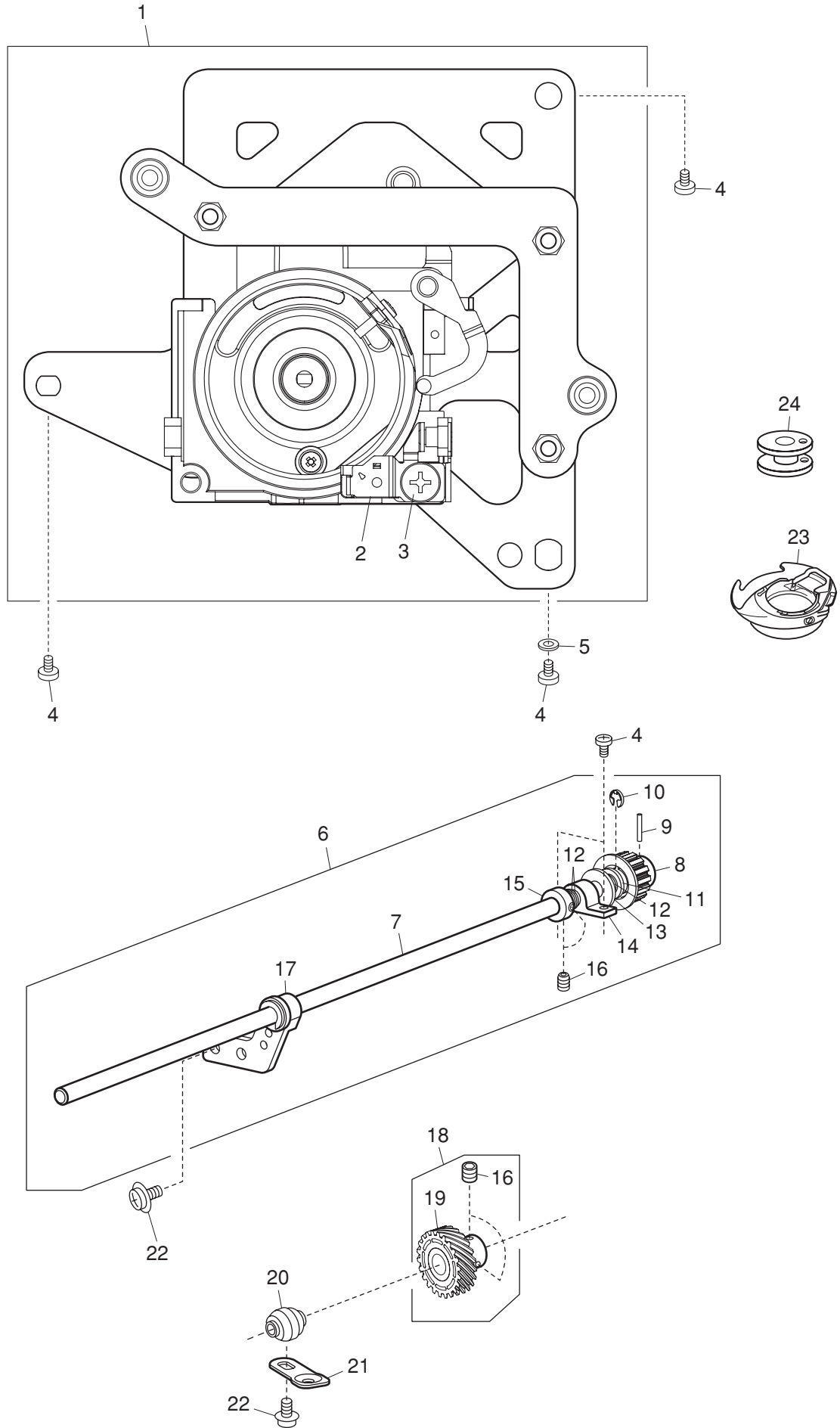
# PARTS LIST



# PARTS LIST

KEY NO.	PARTS NO.	DESCRIPTION
1	864620004	Carrying handle (unit)
2	864029007	Carrying handle
3	864031002	Carrying handle supporter (rear)
4	000001609	Snap ring E-5
5	864030001	Carrying handle supporter (front)
6	000116206	Washer
7	000081005	Setscrew 4x8
8	864628518	Rear cover (unit)
9	864054A12	Rear cover
10	650503355	Thread guide (unit)
11	000014409	Snap ring CS-8
12	834555107	Top cover thread guide plate (unit)
13	000162001	Setscrew 2.6x5
14	000020202	Spring pin 2x10
15	809027004	Spool pin
16	000013800	Snap ring CS-6
17	000006903	Washer
18	864634001	Pre-tension thread guide (unit)
19	000115401	Setscrew TP 3x4
20	864066006	Oiling plate
21	000101806	Setscrew 4x16
22	000161309	Setscrew 3x12
23	822020503	Spool holder (large)
24	647009002	Bed rubber foot
25	735002001	Rubber foot
26	000274007	Setscrew 5x30
27	000061412	Nut 5-3-8
28	864609203	Thread tension (unit)
29	000103509	Setscrew 4x10
30	864638005	Oiling guide (unit)
31	864075008	Oiling guide
32	763033019	String
33	000109000	Setscrew 3x6

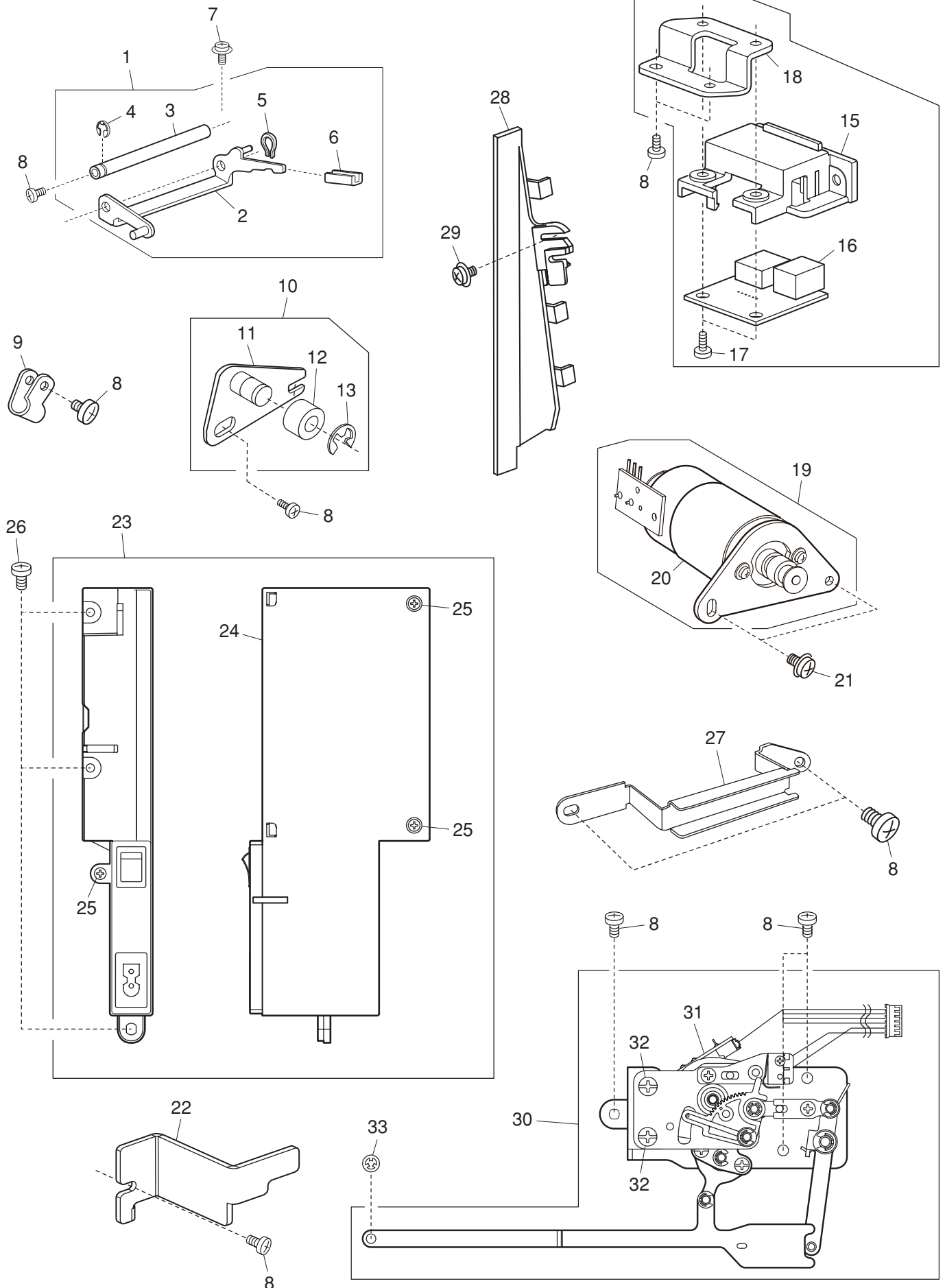
# PARTS LIST



# PARTS LIST

KEY NO.	PARTS NO.	DESCRIPTION
1	864613004	Hook race (unit)
2	846632209	Bobbin holder stopper (unit)
3	000160504	Setscrew 4x12
4	000081005	Setscrew 4x8
5	000070506	Washer 4
6	864614108	Lower shaft (unit)
7	864022000	Lower shaft
8	650073007	Lower shaft gear
9	000004200	Spring pin 3x18
10	000002806	Snap ring E-6
11	858177002	Lower shaft washer
12	000038502	Washer
13	823110009	Felt
14	508120006	Shaft fixing metal
15	820166001	Lower shaft ring
16	000111201	Hexagonal socket screw 4x4
17	858321003	Lower shaft supporter
18	850687109	Lower shaft gear (unit)
19	808137005	Lower shaft gear
20	732034003	Lower shaft bushing (rear)
21	809042005	Lower shaft bushing set plate
22	000115607	Setscrew TP 4x8
23	846652504	Bobbin holder (unit)
24	102261103	Bobbin

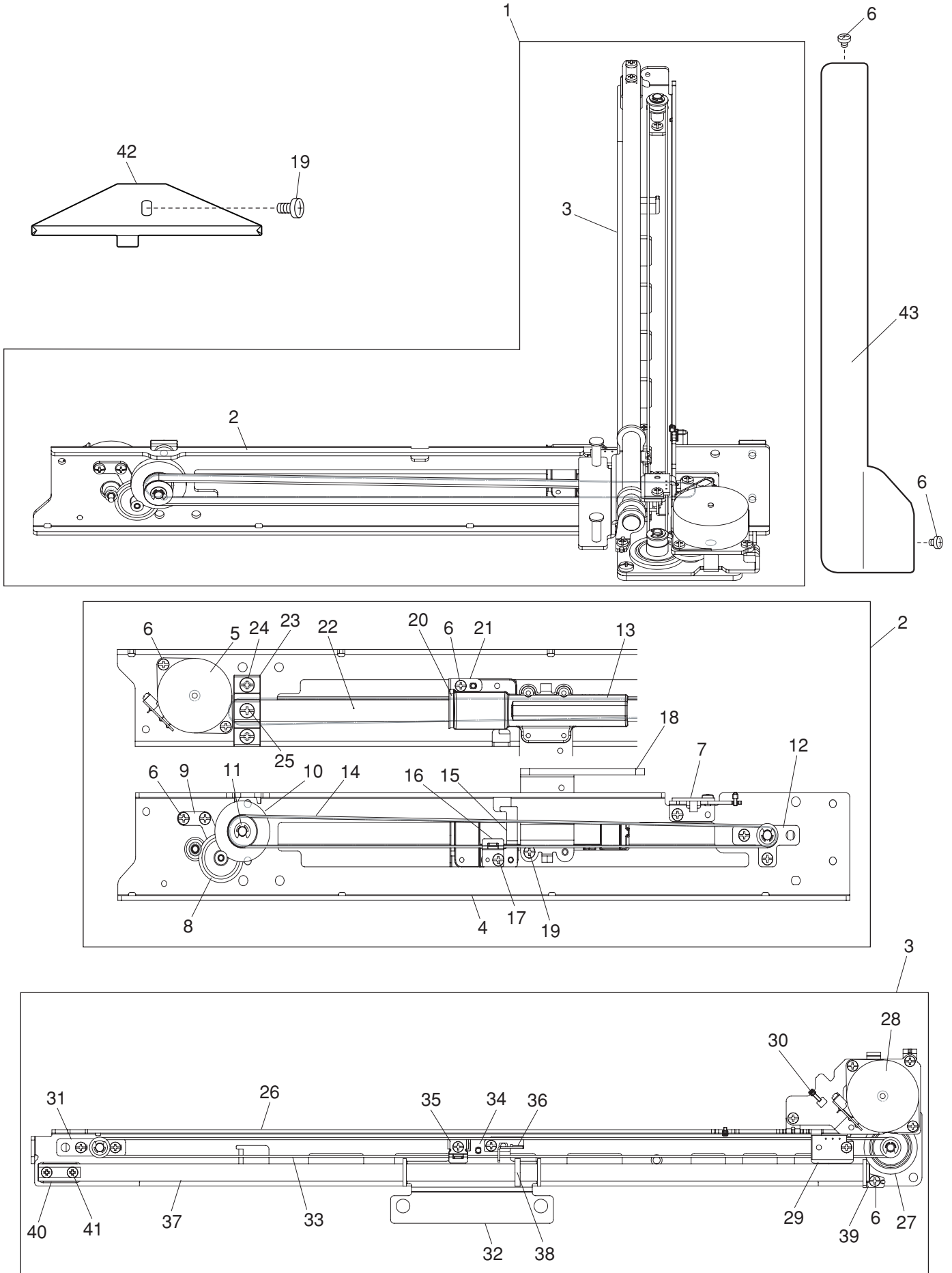
# PARTS LIST



# PARTS LIST

KEY NO.	PARTS NO.	DESCRIPTION
1	861616204	Presser foot actuator arm (unit)
2	861035007	Presser foot actuator arm
3	864077000	Presser foot actuator shaft
4	000001609	Snap ring E-5
5	000014605	Grip ring 6
6	854145009	Slider
7	000115629	Setscrew TP 4x8
8	000081005	Setscrew 4x8
9	000188405	Nylon clip
10	860608004	Idler (unit)
11	860021007	Idler base
12	625217100	Idler
13	000002806	Snap ring E-6
14	864619000	Printed circuit board B case (unit)
15	861090044	Printed circuit board B case
16	864508201	Printed circuit board B (unit)
17	000103509	Setscrew 4x10
18	864028006	Printed circuit board B case set plate
19	858639007	DC motor (unit)
20	843518302	DC motor
21	000115607	Setscrew TP 4x8
22	864078001	Set plate
23	864621005	Switching power supply (unit) (U.S.A.) (Canada)
	864621304	Switching power supply (unit) (Australia) (UK) (Continental Europe)
24	858119006	Switching power supply case
25	000119704	Setscrew 3x14 (B)
26	000103509	Setscrew 4x10
27	861089006	Cord guide
28	858145012	Cord guide plate
29	000115607	Setscrew TP 4x8
30	864610001	Bobbin thread sensor (unit)
31	864611002	Bobbin thread sensor motor (unit)
32	000101404	Setscrew 4x6
33	000013707	Snap ring CS-2.4

# PARTS LIST

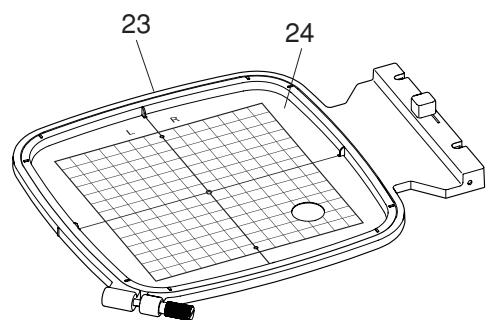
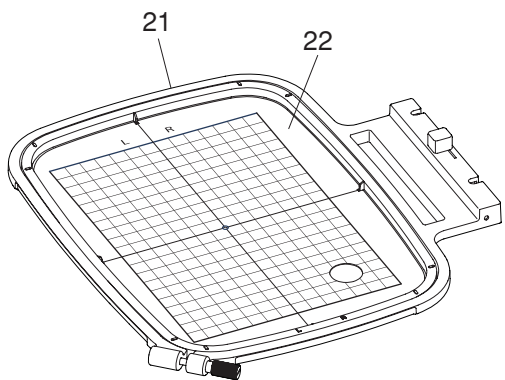
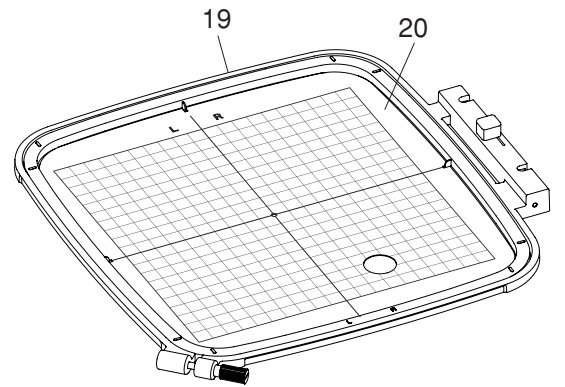
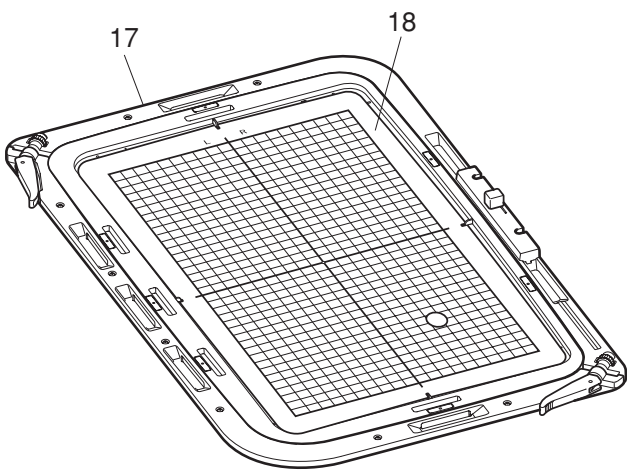
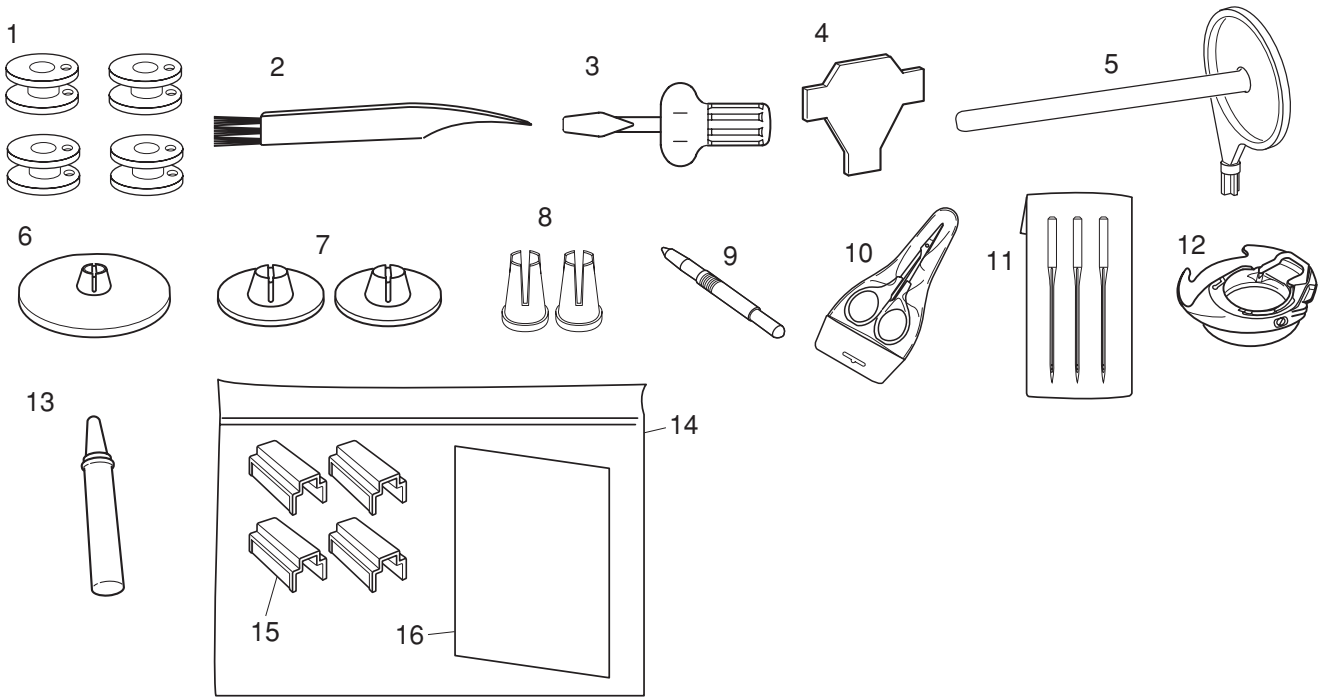




# PARTS LIST

KEY NO.	PARTS NO.	DESCRIPTION
1	864641001	Carriage (unit)
2	864642002	X-carriage (unit)
3	864645005	Y-carriage (unit)
4	864091000	X-carriage base
5	864643003	Stepping motor (unit)
6	000101105	Setscrew 3x4
7	864644004	X-sensor (unit)
8	859542005	X-gear (unit)
9	856041000	X-gear set plate
10	859236003	Gear
11	000002507	Snap ring E-4
12	864624008	X-pulley (unit)
13	867092001	X-carriage guide
14	864036007	Syncrobelts 630
15	864037008	X-belt set plate 1
16	864038009	X-belt set plate 2
17	000066705	Setscrew 3x8
18	864082008	Y-carriage base
19	000080406	Setscrew 3x10
20	823110009	Felt
21	864093002	Felt holder
22	864094003	X-shaft
23	864095004	X-shaft set plate
24	000081005	Setscrew 4x8
25	000101703	Setscrew 4x12
26	864083009	Y-carriage
27	864044008	Gear
28	864646006	Y motor (unit)
29	864511001	Stepping motor harness (unit)
30	000053606	Cord binder
31	864627001	Y-pulley (unit)
32	864085001	Embroidery hoop set plate
33	000279208	Syncrobelts 950
34	856054006	Y-belt set plate 1
35	856055007	Y-belt set plate 2
36	856056008	Y-shielding plate
37	864087003	Y-shaft
38	864088004	Felt
39	864089005	Y-shaft set plate
40	864050007	Y-shaft supporter
41	000175306	Setscrew 3x20
42	864097006	Y-carriage base
43	864090A01	Carriage cover

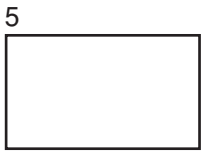
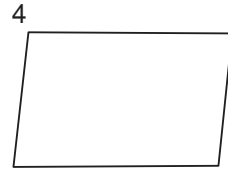
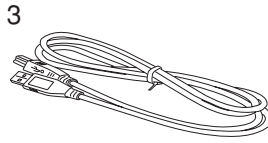
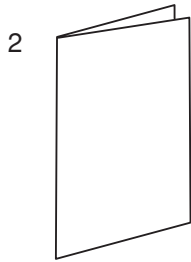
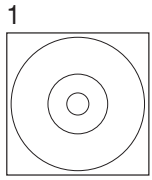
# PARTS LIST



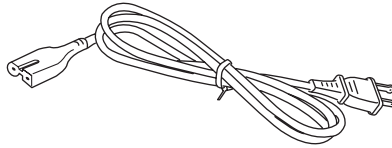
# PARTS LIST

KEY NO.	PARTS NO.	DESCRIPTION
1	102261103	Bobbin
2	802424004	Lint brush
3	820832005	Screwdriver (large)
4	653802002	Screwdriver key (for needle plate)
5	809041004	Extra spool pin
6	822020503	Spool holder (large)
7	822019509	Spool holder (small)
8	862408008	Spool holder (special)
9	860194002	Touch panel stylus
10	803813203	Scissors
11	852802108	Needle set (unit)
12	846652607	Bobbin holder (unit)
13	859858007	Bobbin holder cleaner (unit)
14	861805305	Magnetic clamp (unit)
15	861805006	Magnetic clamp
16	861826003	Caution card
17	864839008	Embroidery hoop RE36b
18	864839A01	Template RE36b
19	864404000	Embroidery hoop SQ20b (packed in a box)
20	864801A01	Template SQ20b
21	864405001	Embroidery hoop RE20b (packed in a box)
22	864802A01	Template RE20b
23	864406002	Embroidery hoop SQ14b (packed in a box)
24	864803A01	Template SQ14b

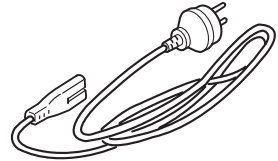
# PARTS LIST



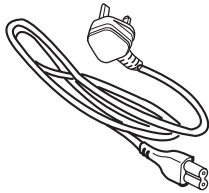
7 (U.S.A.) (Canada)



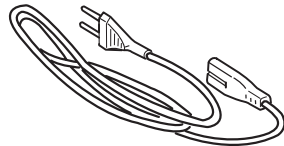
7 (Australia)



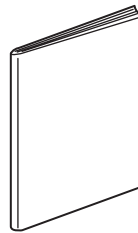
7 (UK)



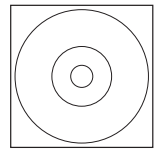
7 (Continental Europe)



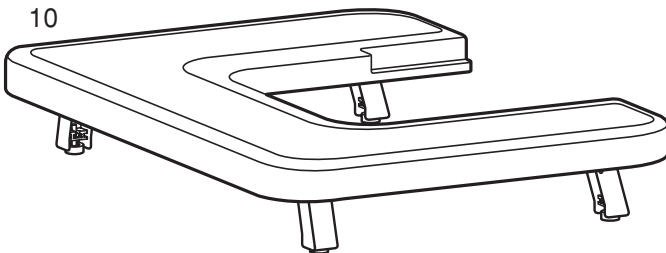
8



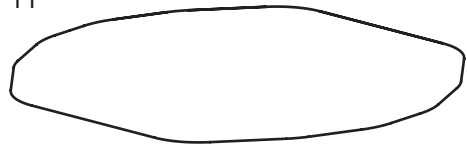
9



10



11



# PARTS LIST

KEY NO.	PARTS NO.	DESCRIPTION
1	864849001	Embroidery Editor CD-ROM
2	864849207	Embroidery Editor Installation guide
3	850403006	USB cable
4	864818001	Quick reference chart (English)
	864818012	Quick reference chart (French)
	864818023	Quick reference chart (Dutch)
	864818034	Quick reference chart (German)
5	864851006	Instructional card (English)
6	858801002	Caution card
7	856519004	Power cable (U.S.A.) (Canada)
	830314018	Power cable (Australia)
	830377008	Power cable (UK)
	830335004	Power cable (Continental Europe)
8	864800701	Instruction book (English)
	864800789	Instruction book (French)
	864800734	Instruction book (Dutch)
	864800745	Instruction book (German)
9	864848000	Instructional DVD
10	864805201	Extra wide table
11	864807007	Dust cover