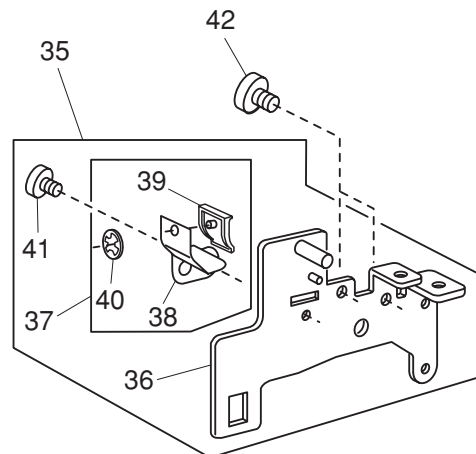
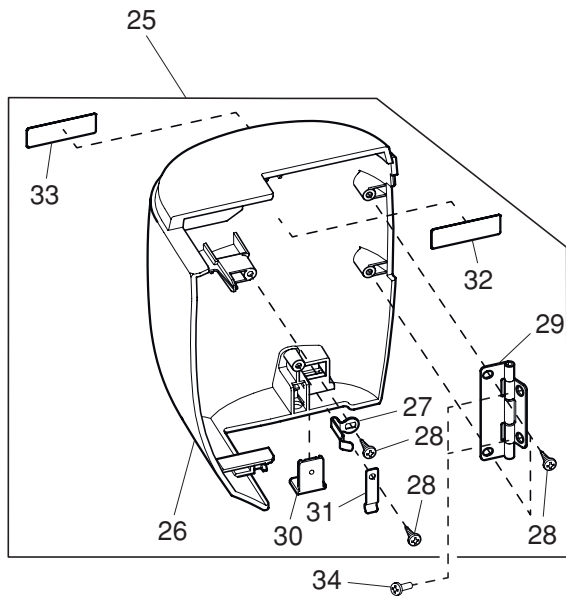
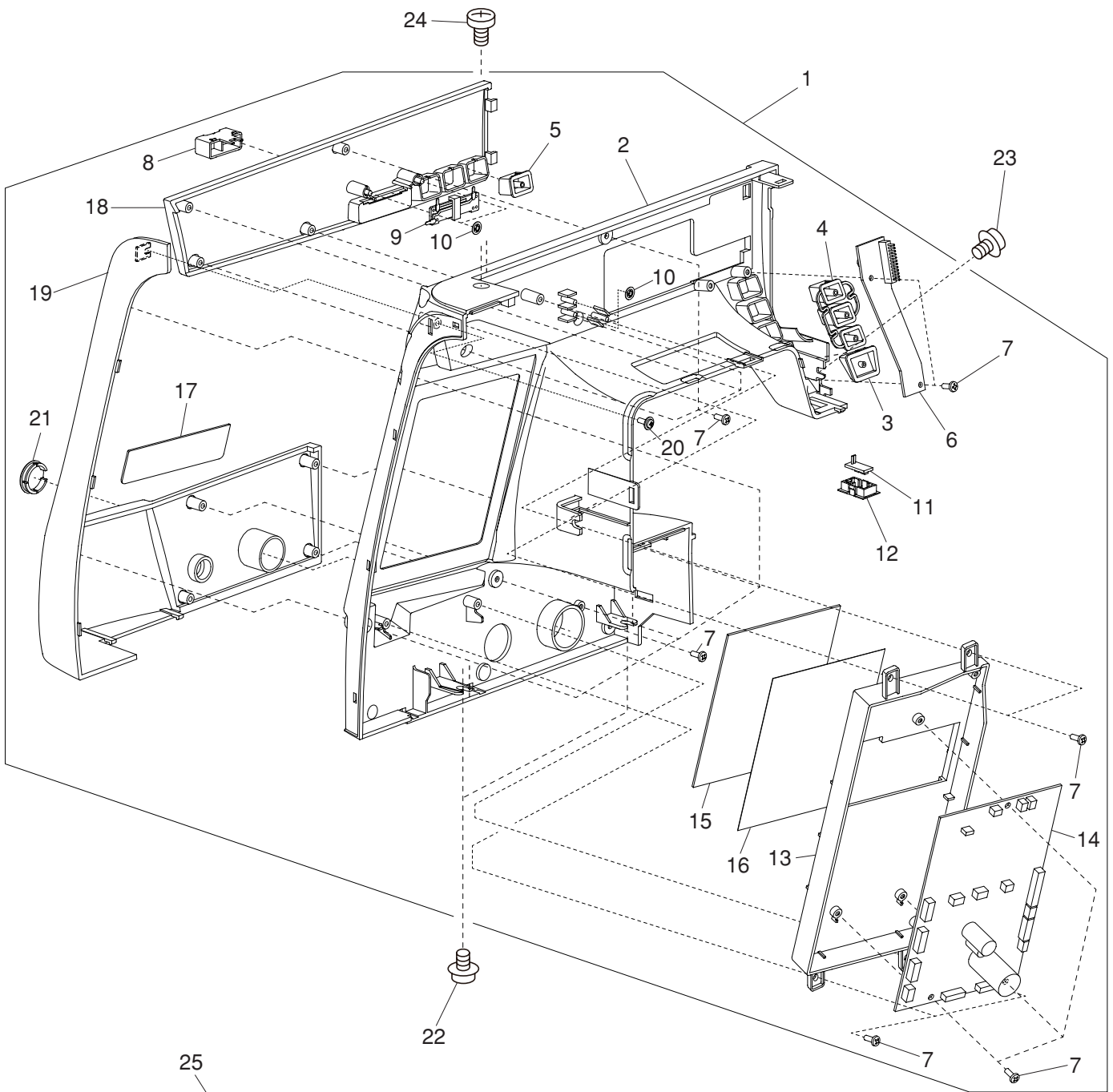


**SERVICE MANUAL**  
**&**  
**PARTS LIST**

**MODEL: Skyline S3**

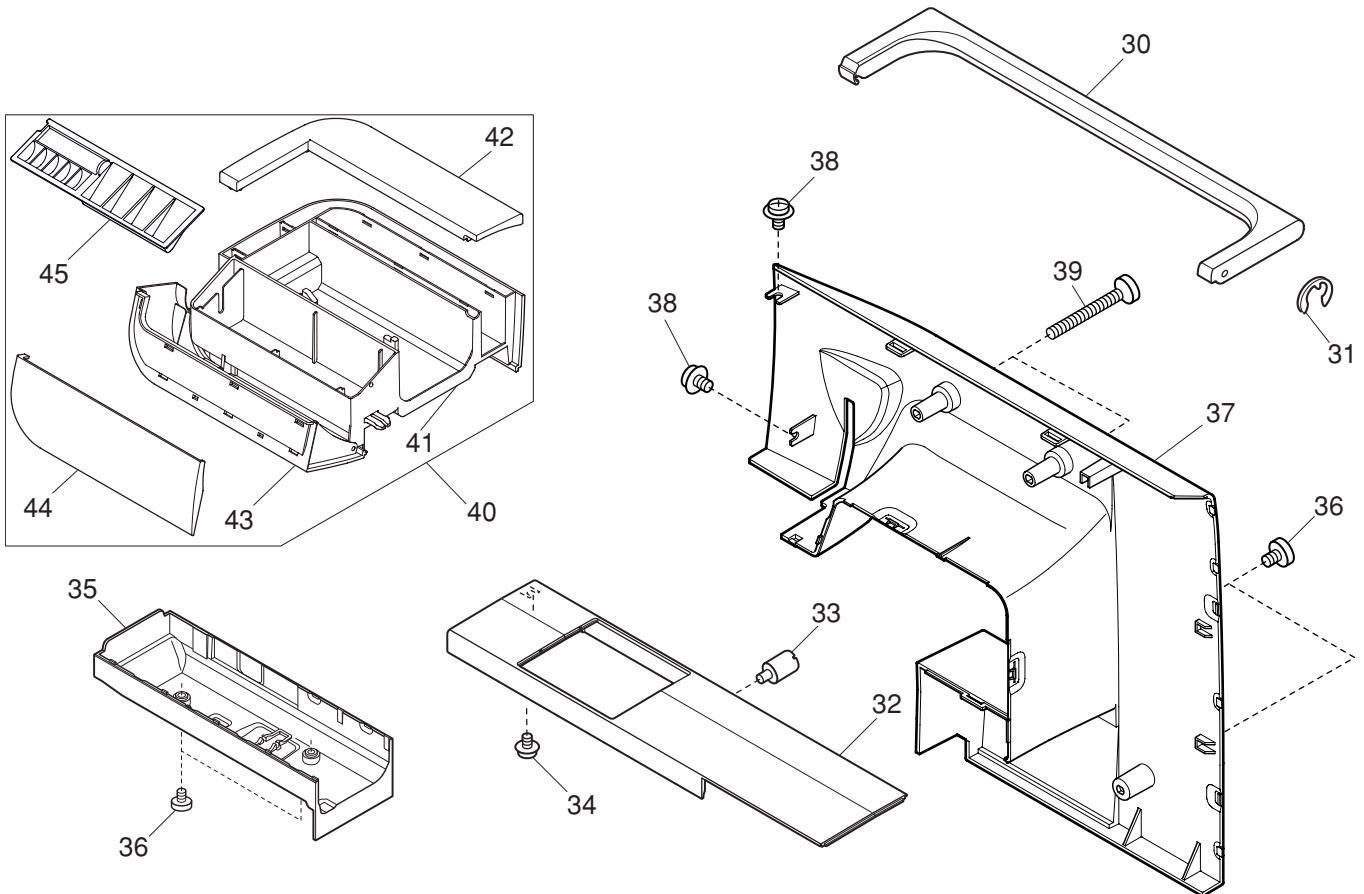
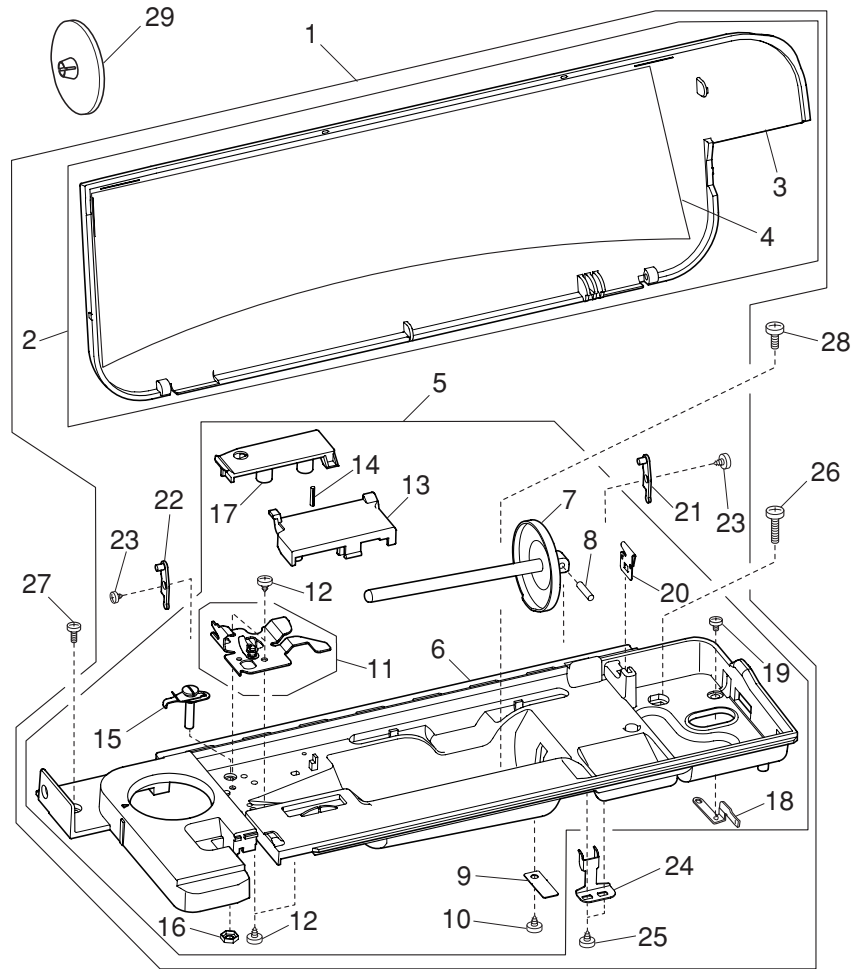
# PARTS LIST



# PARTS LIST

KEY NO.	PARTS NO.	DESCRIPTION
1	863608106	Front cover (unit)
2	863016019	Front cover
3	863017A01	Start/stop button
4	863018A01	Function button 1
5	863019A01	Function button 2
6	861510207	Printed circuit board F (unit)
7	000120203	Setscrew 3x8 (B)
8	863020005	Speed control slider
9	653507288	Slide volume (unit)
10	000014306	Snap ring CS-3
11	859525909	Printed circuit board L2 (unit)
12	860167006	Lamp cover 2
13	863021006	Printed circuit board A case
14	863507012	Printed circuit board A
15	852524000	Touch panel (unit)
16	863022A03	Touch panel sheet
17	863023B01	LCD panel
18	863024A01	Decorative plate 1
19	863025B01	Decorative plate 2
20	000149301	Flange head screw
21	859216007	Cap
22	000115205	Setscrew TP 4x6
23	000114710	Setscrew TP 3x6
24	000081005	Setscrew 4x8
25	863605000	Face plate (unit) (U.S.A.)
	863605103	Face plate (unit) (Canada)
	863605206	Face plate (unit) (Australia) (Continental Europe)
26	863010A01	Face plate
27	850013005	Face plate spring
28	000161206	Setscrew 3x10 (B)
29	851503103	Face plate hinge (unit)
30	840602006	Thread cutter (unit)
31	859233000	Spring
32	830312016	Caution sticker (U.S.A.)
	100045000	Caution sticker (Canada)
33	100517008	Caution sticker (Canada)
34	000081119	Setscrew 4x6
35	861612004	Carrying handle supporter (unit)
36	861024003	Carrying handle supporter
37	861613005	Spring (unit)
38	861073007	Spring
39	861074008	Spring cap
40	000017701	Snap ring CS-3.5
41	000101116	Setscrew 3x4
42	000081005	Setscrew 4x8

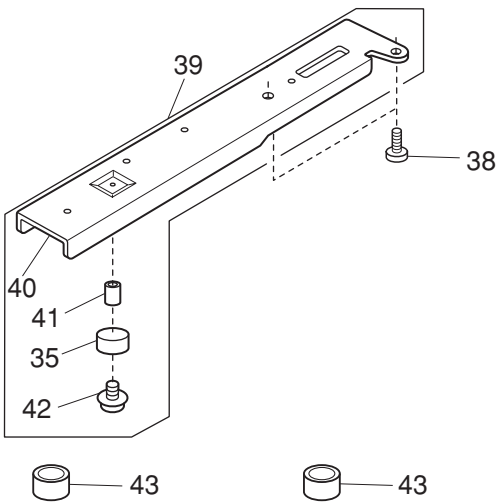
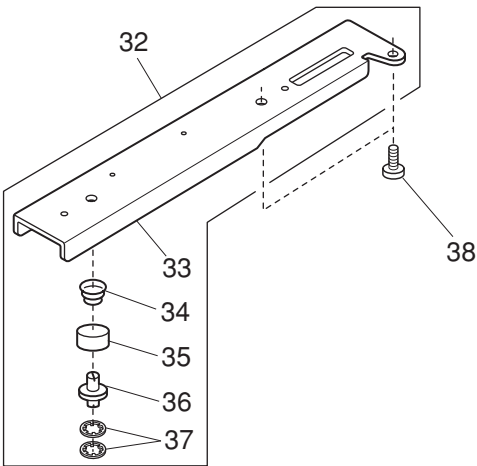
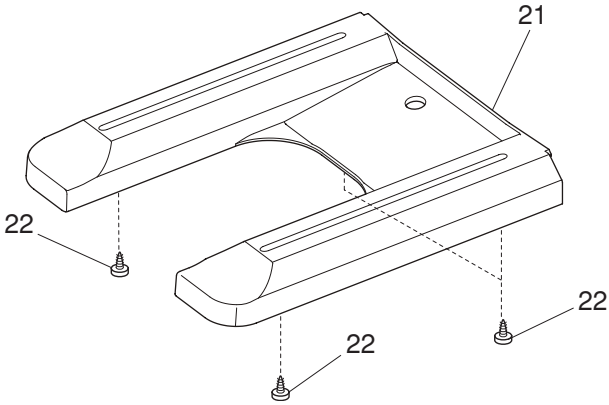
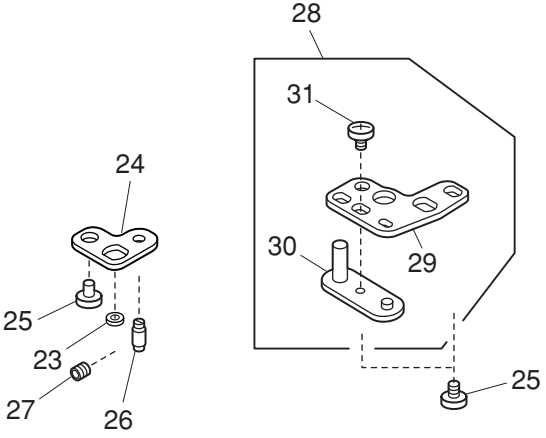
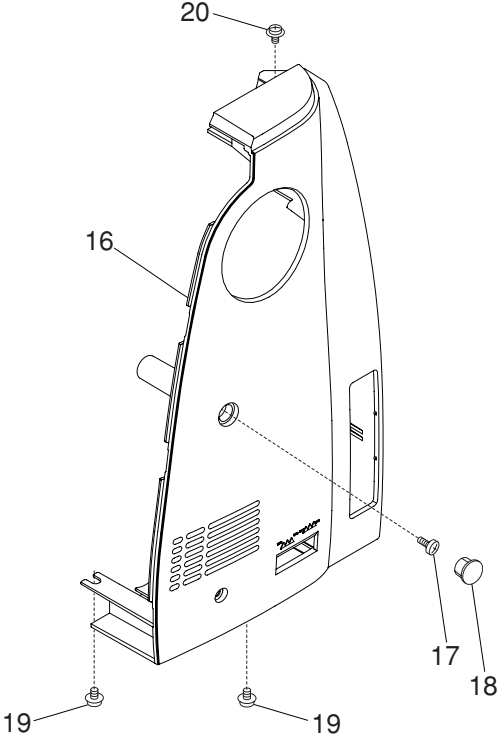
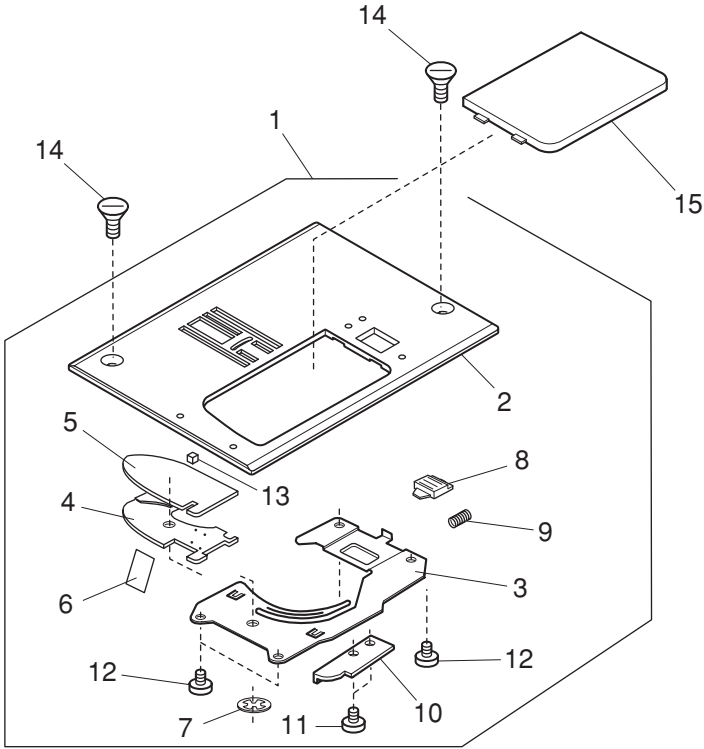
# PARTS LIST



# PARTS LIST

KEY NO.	PARTS NO.	DESCRIPTION
1	863602100	Top cover (whole unit)
2	863603101	Top cover (unit)
3	863007006	Top cover
4	863008A02	Quick reference chart
5	863604009	Top cover body (unit)
6	863009008	Top cover body
7	859052003	Spool pin
8	822017002	Spool pin shaft
9	822018003	Spool pin spring
10	000107204	Setscrew 3x12 (B)
11	859541004	Thread guide (unit)
12	000120203	Setscrew 3x8 (B)
13	859648002	Thread guide cover (unit)
14	000020202	Spring pin
15	830503005	Bobbin winder thread guide (unit)
16	000160102	Adjustable lock nut 4
17	830011001	Bobbin winder thread guide cover
18	861099009	Bobbin winder stopper
19	000103819	Setscrew 3x5
20	830505007	Thread cutter (unit)
21	858023002	Top cover hinge (right)
22	858023105	Top cover hinge (left)
23	000161206	Setscrew 3x10 (B)
24	859137003	Top cover hinge (right)
25	000120203	Setscrew 3x8 (B)
26	000104119	Setscrew 4x20
27	000066705	Setscrew 3x8
28	000170507	Setscrew 4x12
29	822020503	Spool holder
30	861019005	Carrying handle
31	000001609	Snap ring E-5
32	861007217	Free arm cover
33	858165100	Pin
34	000114710	Setscrew TP 3x6
35	861008104	Bed cover
36	000081005	Setscrew 4x8
37	863002A01	Rear cover
38	000115205	Setscrew TP 4x6
39	000093402	Setscrew 4x40
40	863613A01	Extension table (unit)
41	863003002	Extension table
42	863004003	Extension table cover
43	863005004	Extension table lid
44	863006005	Extension table lid cover
45	861012008	Foot tray

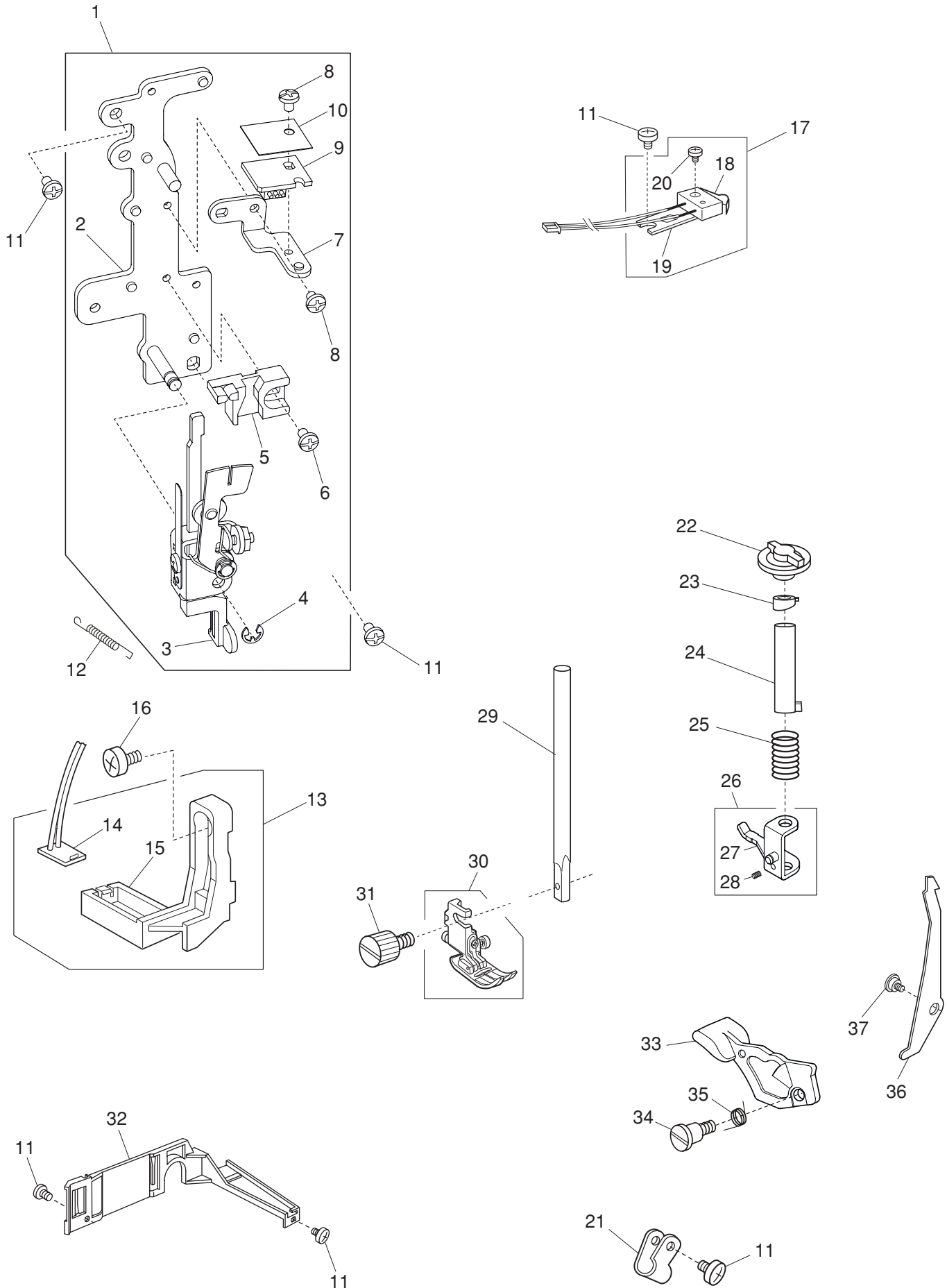
# PARTS LIST



# PARTS LIST

KEY NO.	PARTS NO.	DESCRIPTION
1	809616006	Needle plate (unit)
2	809132003	Needle plate
3	809133004	Hook cover plate supporter
4	809134005	Hook cover plate supporter base
5	809135006	Guide holder
6	809137008	Cutter
7	000014306	Snap ring CS-3
8	825016000	Hook cover plate release button
9	825017001	Spring
10	809050006	Rotation stopper
11	000163703	Setscrew 2x3.5
12	820374004	Setscrew 2x2.3
13	861152001	Felt
14	820390109	Setscrew
15	809136100	Hook cover plate
16	863028014	Belt cover
17	000081005	Setscrew 4x8
18	745033002	Cap
19	000115205	Setscrew TP 4x6
20	000115009	Setscrew TP 3x8
21	863001000	Base cover
22	000161206	Setscrew 3x10 (B)
23	822314002	Nut
24	860003025	Needle plate nut set plate
25	810220106	Setscrew
26	859270009	Needle plate positioning pin
27	000111201	Hexagonal socket screw 4x4
28	858643004	Needle plate set plate (right) (unit)
29	858133006	Needle plate set plate (right)
30	860005005	Needle plate adjusting plate
31	000103808	Setscrew 3x5
32	861601000	Arm sole (front side) (unit)
33	861002005	Arm sole (front side)
34	858162004	Spring
35	605074008	Rubber foot
36	820350004	Adjusting screw
37	000014409	Snap ring CS-8
38	000100702	Setscrew 6x10
39	861603002	Arm sole (rear side) (unit)
40	861003006	Arm sole (rear side)
41	000141107	Bushing
42	000119106	Setscrew TP 4x10
43	647009002	Rubber foot

# PARTS LIST

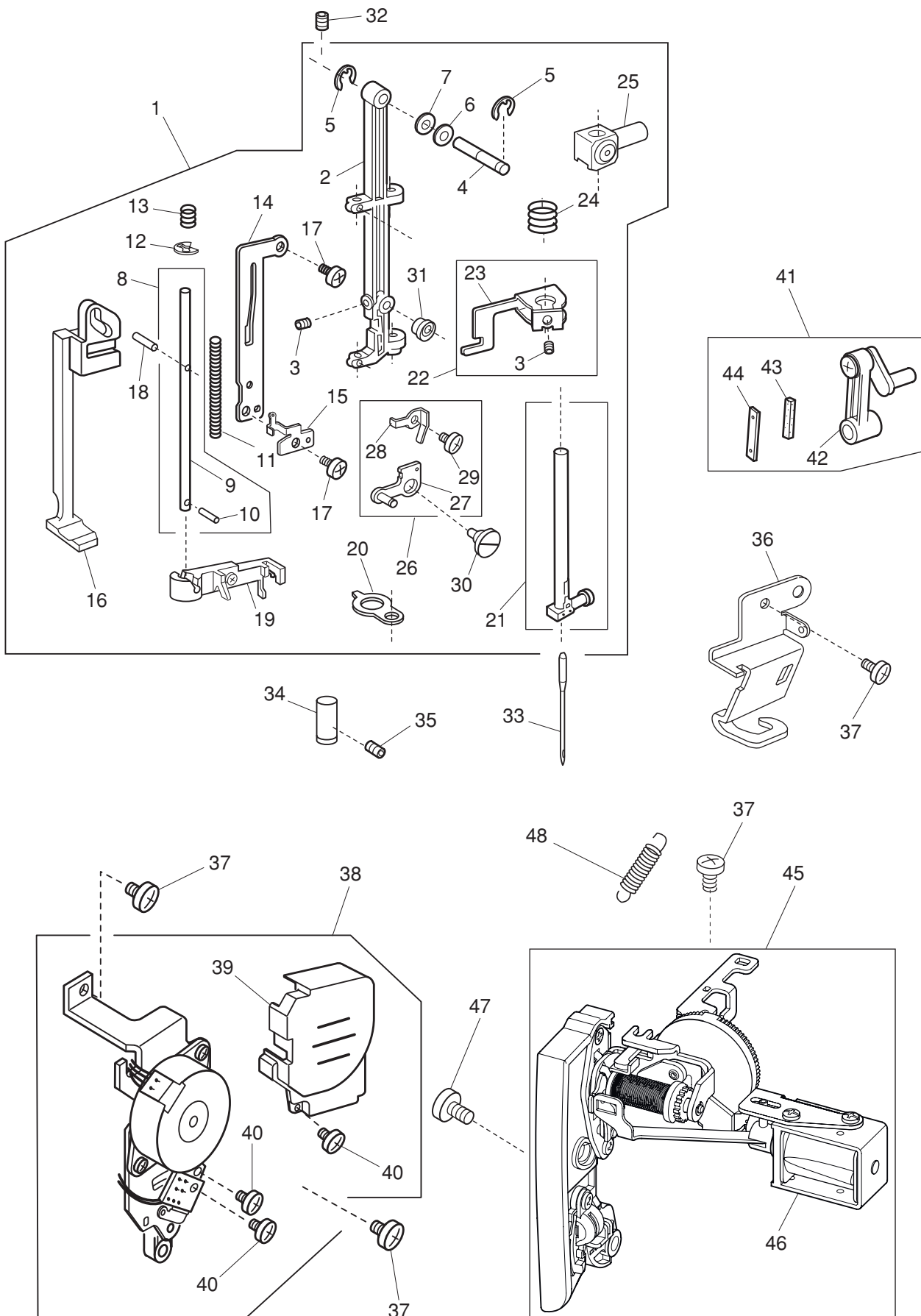




# PARTS LIST

KEY NO.	PARTS NO.	DESCRIPTION
1	863606104	Front bracket (unit)
2	861030002	Front bracket
3	843625107	Buttonhole lever (unit)
4	000002105	Snap ring E-3
5	830057021	Buttonhole lever guide
6	000103808	Setscrew 3x5
7	861031003	Sensor base plate
8	000101105	Setscrew 3x4
9	852502312	Printed circuit board G1 (unit)
10	853028002	Insulation sheet
11	000081005	Setscrew 4x8
12	844038018	Needle bar supporter spring
13	861665507	LED cover (unit)
14	859525806	Printed circuit board L2 (unit)
15	859232021	LED cover
16	000078319	Setscrew 3x6
17	861617009	Presser foot lifter switch (unit)
18	652520099	Micro switch (unit)
19	861029008	Micro switch set plate
20	000102900	Setscrew 2x8
21	000188601	Nylon clip
22	858136102	Presser foot pressure adjusting dial
23	858155004	Presser foot pressure adjusting cam
24	858028007	Presser bar bushing
25	861026005	Presser bar spring
26	863614105	Presser bar supporter (unit)
27	863012004	Presser bar supporter
28	000111500	Hexagonal socket screw 4x8
29	827021200	Presser bar
30	846573005	Zigzag foot (unit)
31	858274000	Thumbscrew
32	861078002	Cord guide
33	863011003	Presser foot lifter lever
34	859028000	Setscrew
35	859029001	Spring
36	861067008	Tension release lever
37	859273002	Setscrew

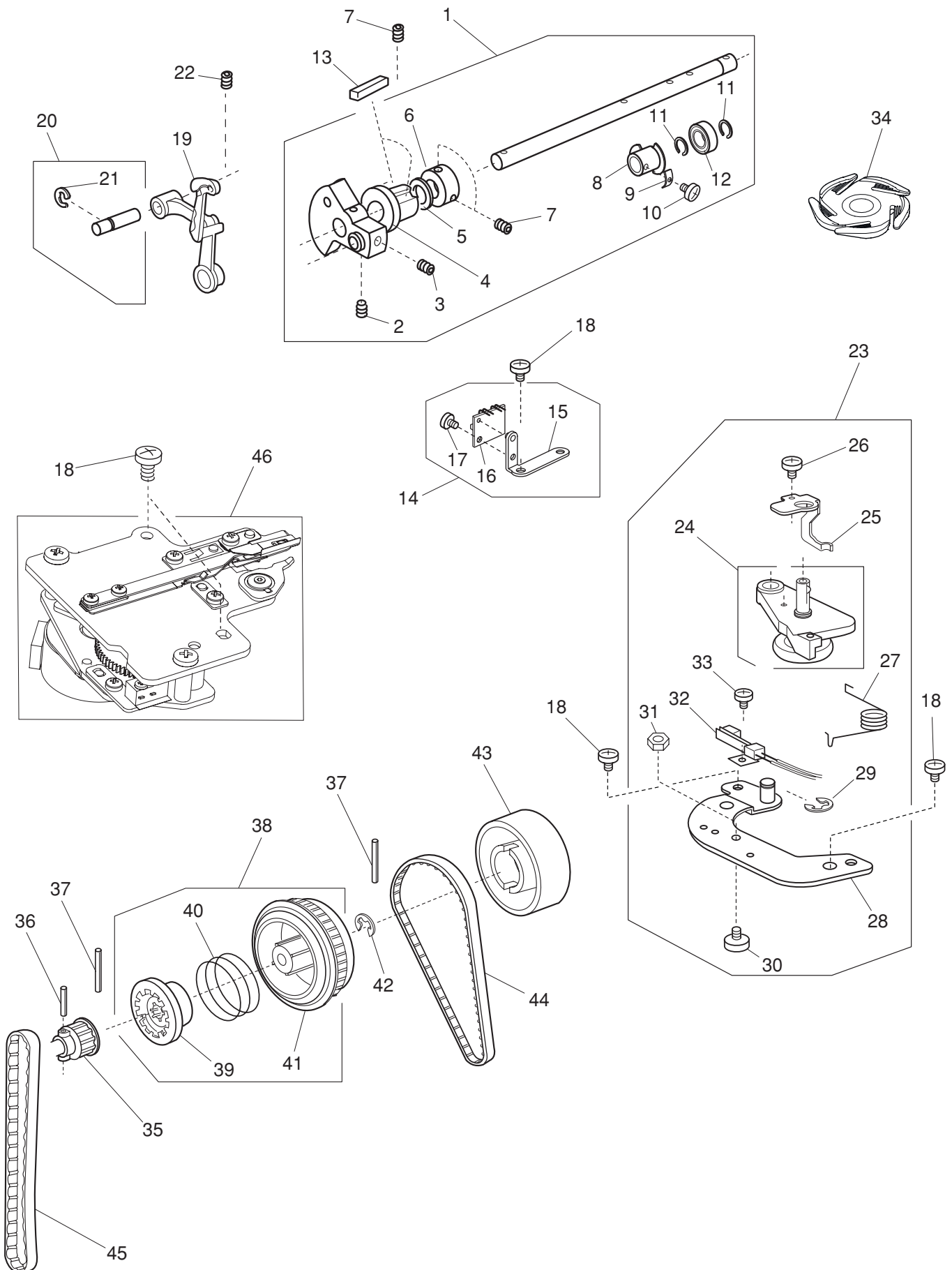
# PARTS LIST



# PARTS LIST

KEY NO.	PARTS NO.	DESCRIPTION
1	861664001	Needle bar supporter (unit)
2	846047005	Needle bar supporter
3	000111902	Hexagonal socket screw 3x4
4	735144006	Needle bar supporter pin
5	000002507	Snap ring E-4
6	000070609	Washer 6
7	673022002	Washer
8	846612100	Threader shaft (unit)
9	846048028	Threader shaft
10	000003508	Knock pin
11	842090001	Needle threader spring
12	000002105	Snap ring E-3
13	842096007	Threader lever spring
14	842091002	Threader guide plate
15	844036038	Threader lever plate
16	859111001	Threader lever
17	000078319	Setscrew 3x6
18	000125105	Pin
19	846588014	Threader guard plate (unit)
20	829027006	Supporter guide plate
21	859647001	Needle bar (unit)
22	861610002	Threader position setting plate (unit)
23	861052000	Threader position setting plate
24	858172007	Needle bar connecting stud spring
25	846515009	Needle bar connecting stud (unit)
26	861630008	Zigzag width rod (unit)
27	808015006	Zigzag width rod
28	827088009	Zigzag width rod spring
29	820373003	Setscrew
30	678084007	Eccentric pin
31	808074003	Washer
32	000111201	Hexagonal socket screw 4x4
33	102408089	Needle HA1-14
34	827083004	Supporter guide pin
35	000216805	Hexagonal socket screw 3x3
36	861004007	Arm thread guide
37	000081005	Setscrew 4x8
38	861629004	Zigzag width motor (unit)
39	861055003	Motor cover
40	000101105	Setscrew 3x4
41	846615103	Needle bar crank (unit)
42	843543007	Needle bar crank pin (unit)
43	650040005	Felt
44	650041006	Spring
45	863607105	Thread tension (unit)
46	834604308	Solenoid (unit)
47	000103509	Setscrew 4x10
48	850212017	Spring

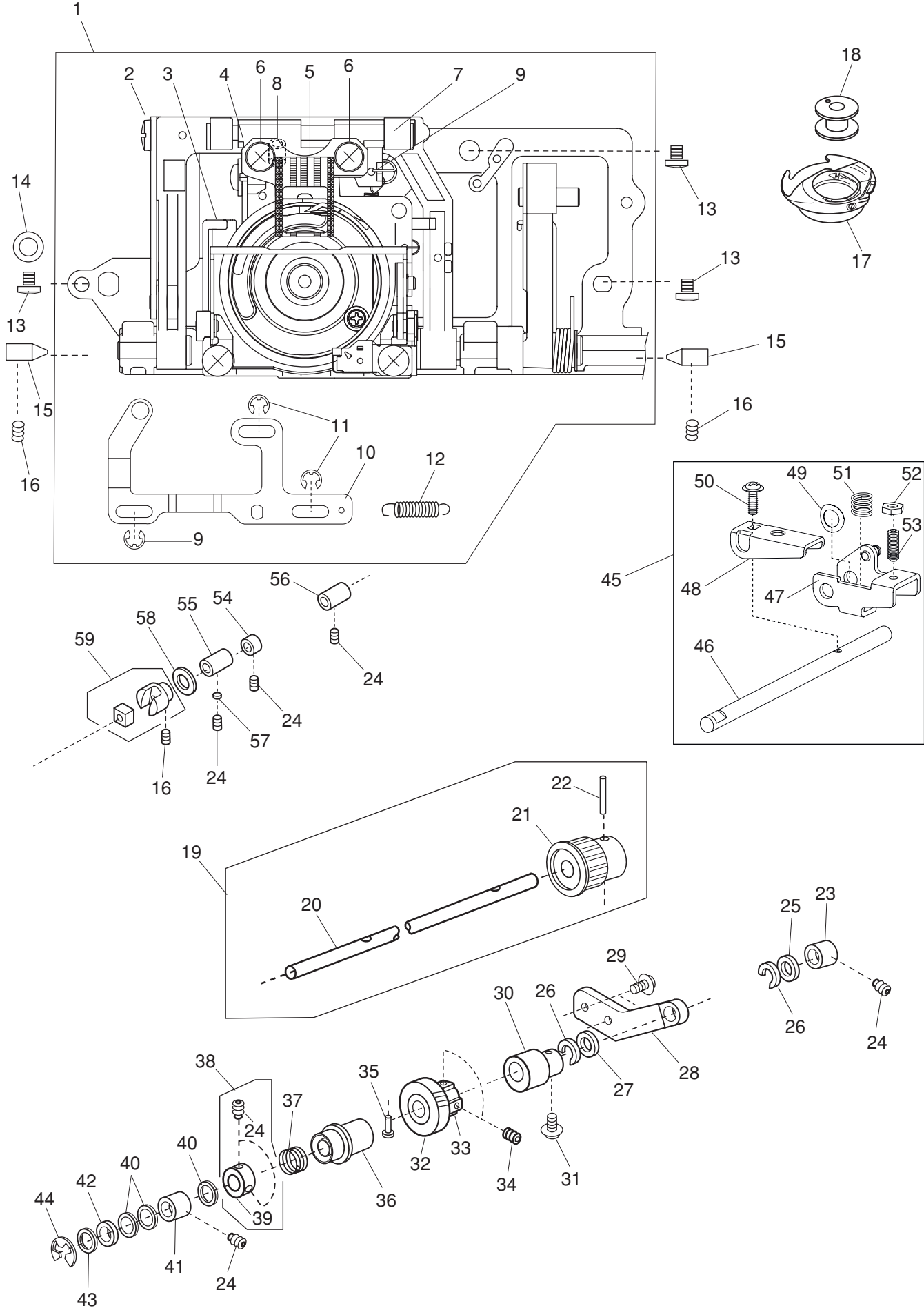
# PARTS LIST



# PARTS LIST

KEY NO.	PARTS NO.	DESCRIPTION
1	861619104	Upper shaft (unit)
2	000111706	Hexagonal socket screw 5x8
3	000110901	Hexagonal socket screw 5x4
4	670079201	Upper shaft front bushing
5	000040105	Washer
6	767077006	Ring
7	000111304	Hexagonal socket screw 5x5
8	859055006	Upper shaft shield plate
9	859033008	Washer
10	000080406	Setscrew 3x10
11	000032702	Snap ring crescent
12	767178101	Ball bearing 6901ZZ
13	731312005	Felt
14	861620108	Upper shaft sensor (unit)
15	861039001	Sensor set plate
16	807505201	Printed circuit board P (unit)
17	000101105	Setscrew 3x4
18	000081005	Setscrew 4x8
19	820511108	Thread take-up lever (unit)
20	650626001	Thread take-up lever pin (unit)
21	000002806	Snap ring E-6
22	000111201	Hexagonal socket screw 4x4
23	861636200	Bobbin winder (unit)
24	861503001	Bobbin winder (unit)
25	861096006	Clutch lever
26	000120203	Setscrew 3x8 (B)
27	861091001	Bobbin winder arm spring
28	861092002	Bobbin winder set plate
29	000001609	Snap ring E-5
30	861153002	Bobbin winder stopper screw
31	000063104	Nut 3-2-5.5
32	856512203	Leaf switch (unit)
33	000081706	Setscrew 2.5x5
34	862647001	Thread cutter holder (unit)
35	858052000	Upper shaft gear
36	000004303	Pin 3x20
37	000024206	Pin 3x30
38	858647008	Belt wheel (unit)
39	858053001	Clutch ring
40	502065004	Clutch spring
41	858054002	Belt wheel
42	000030009	Snap ring E-10
43	858055003	Handwheel
44	846098001	Timing belt 178
45	858118005	Timing belt 168
46	861631102	Automatic thread cutter (unit)

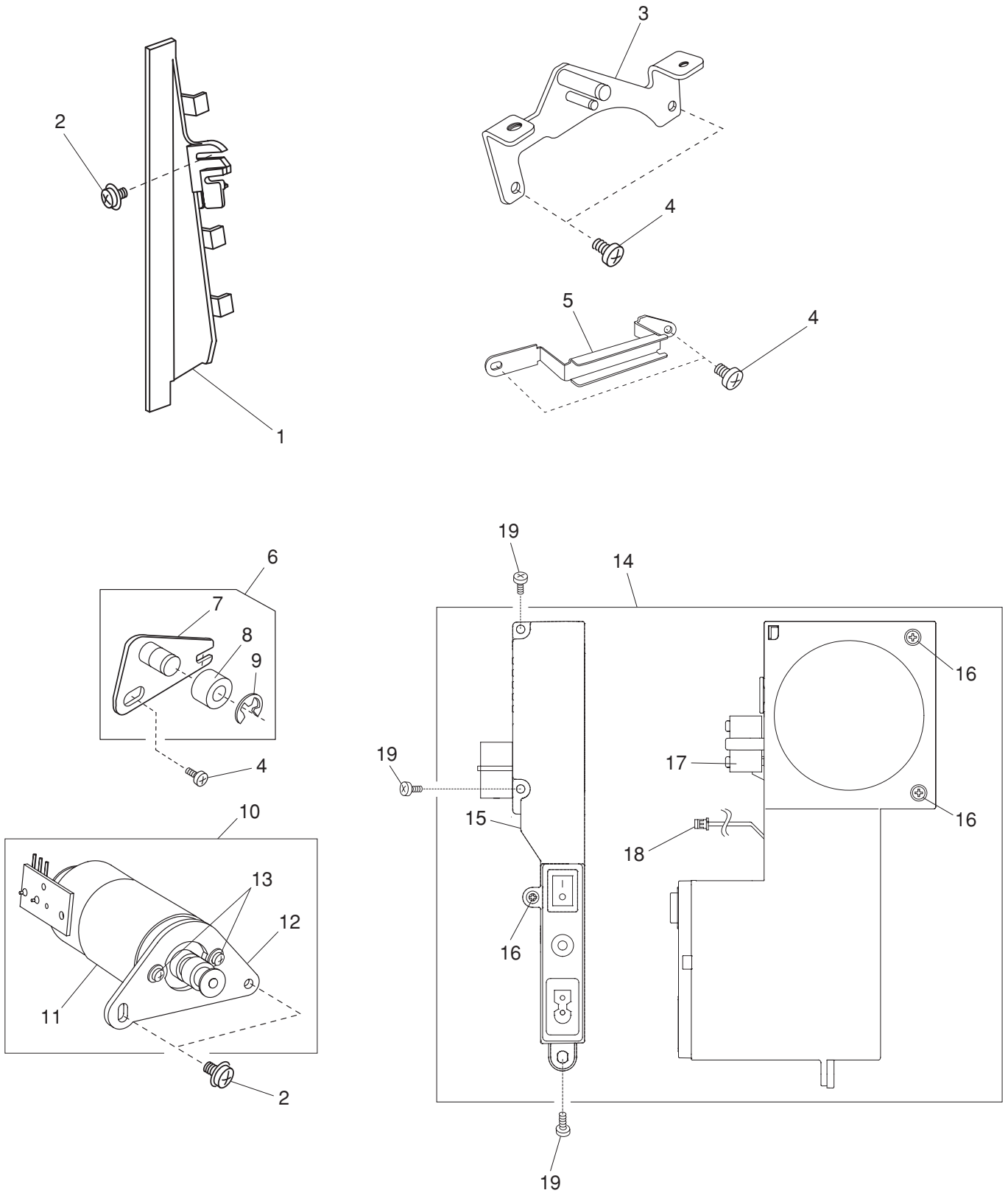
# PARTS LIST



# PARTS LIST

KEY NO.	PARTS NO.	DESCRIPTION
1	861625206	Feed rock shaft (whole unit)
2	846629100	Feed rock shaft (unit)
3	863617005	Hook race (unit)
4	846651008	Feed base (unit)
5	809149003	Feed dog
6	000104005	Setscrew 3.5x8
7	825099007	Feed base shaft
8	000111407	Hexagonal socket screw 4x6
9	825103005	Feed base spring
10	858138001	Drop plate
11	000002105	Snap ring E-3
12	661018008	Spring
13	000081005	Setscrew 4x8
14	000070506	Washer 4
15	738055008	Straight pin
16	000111304	Hexagonal socket screw 5x5
17	858570009	Bobbin holder (unit)
18	102261103	Bobbin
19	861621006	Lower shaft (unit)
20	861040005	Lower shaft
21	650073007	Lower gear
22	000004200	Pin 3x18
23	650079003	Lower shaft bushing (rear)
24	000111201	Hexagonal socket screw 4x4
25	822070003	Felt (1)
26	822112008	Felt holder (1)
27	861051009	Felt
28	858058006	Lower shaft supporter
29	000115700	Setscrew TP 4x10
30	846379009	Feed cam
31	000149600	Setscrew 3x14
32	508023008	Lower shaft gear
33	508020005	Ring
34	000111108	Hexagonal socket screw 4x6
35	820161006	Feed lifting pin
36	846103000	Feed lifting cam
37	825093001	Feed lifting cam spring
38	820672005	Lower shaft ring (unit)
39	820166001	Lower shaft ring
40	000038502	Washer
41	858060001	Lower shaft bushing (front)
42	735143005	Felt
43	858177002	Lower shaft washer
44	000002806	Snap ring E-6
45	861627002	Feed shaft (unit)
46	861048003	Feed shaft
47	858129009	Feed arm (1)
48	858130003	Feed arm (2)
49	810207004	Washer
50	000201302	Setscrew TP 3x10
51	589040002	Spring
52	000160102	Adjustable lock nut 4
53	000177401	Hexagonal socket screw 4x12
54	820387000	Ring
55	625144002	Feed shaft bushing (front)
56	650092002	Feed shaft bushing (rear)
57	650175000	Washer
58	823110009	Felt
59	625508008	Feed regulator (unit)

# PARTS LIST

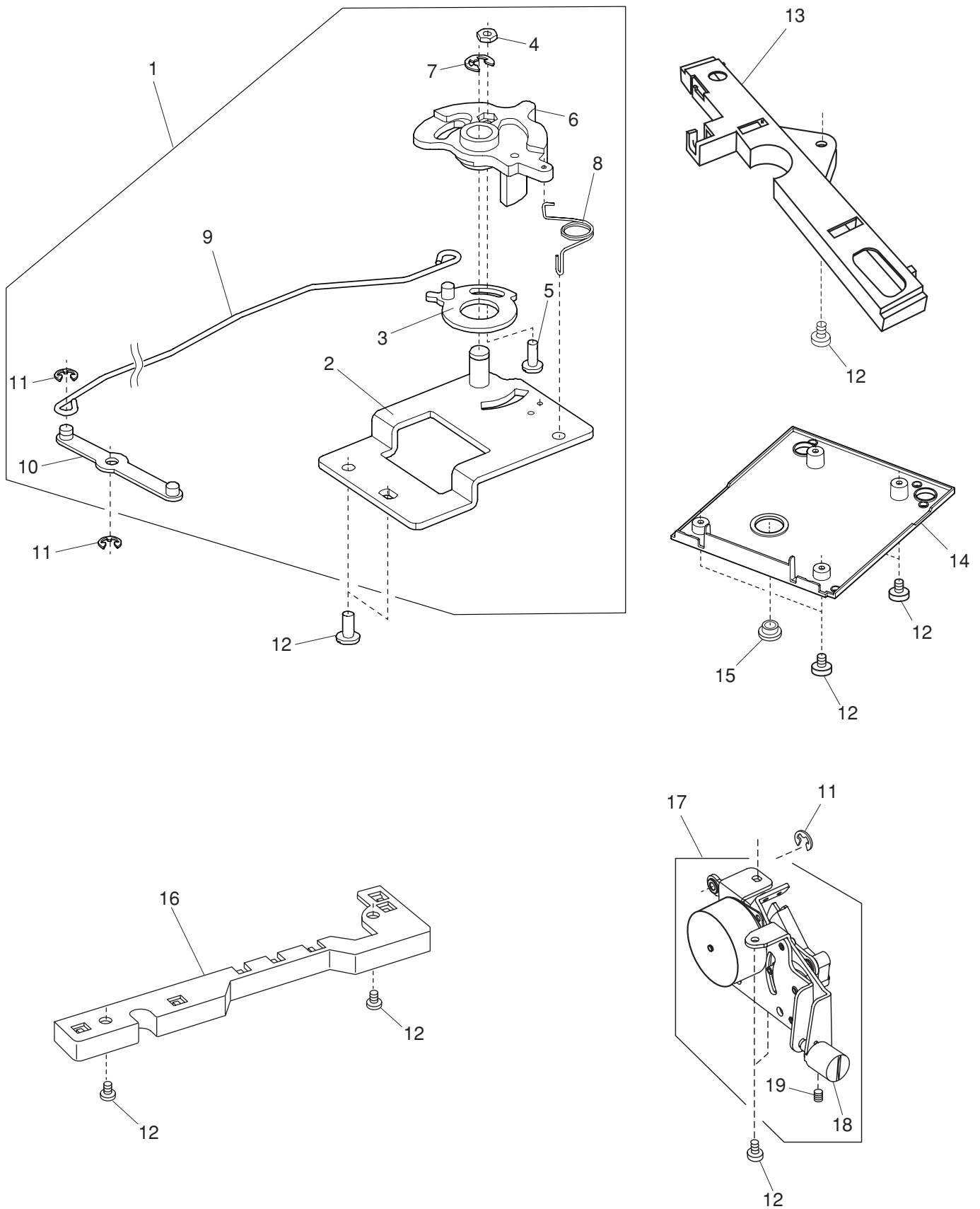




# PARTS LIST

KEY NO.	PARTS NO.	DESCRIPTION
1	858145012	Cord guide plate
2	000115607	Set screw TP 4X8
3	861075009	Carrying handle supporter (rear)
4	000081005	Setscrew 4x8
5	861089006	Cord guide
6	860608004	Idler (unit)
7	860021007	Idler base
8	625217100	Idler
9	000002806	Snap ring E-6
10	858639306	DC motor (unit)
11	863514001	DC motor (unit)
12	858117004	DC motor bracket
13	000115009	Set screw TP 3X8
14	863615003	Switching power supply (unit) (U.S.A.) (Canada)
	863615106	Switching power supply (unit) (Australia) (Continental Europe)
15	860030008	Switching power supply case
16	000119704	Setscrew 3x14 (B)
17	808108007	Ferrite core (Australia) (Continental Europe)
18	863505102	TRS connector cord (U.S.A.) (Canada)
	863505009	TRS connector cord (Australia) (Continental Europe)
19	000103509	Setscrew 4x10

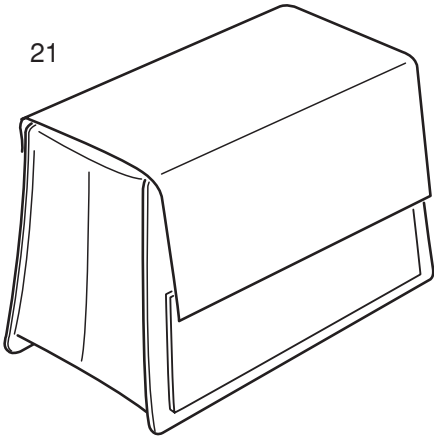
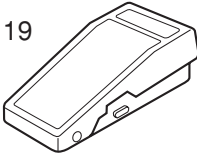
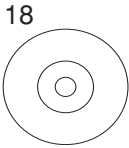
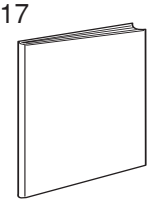
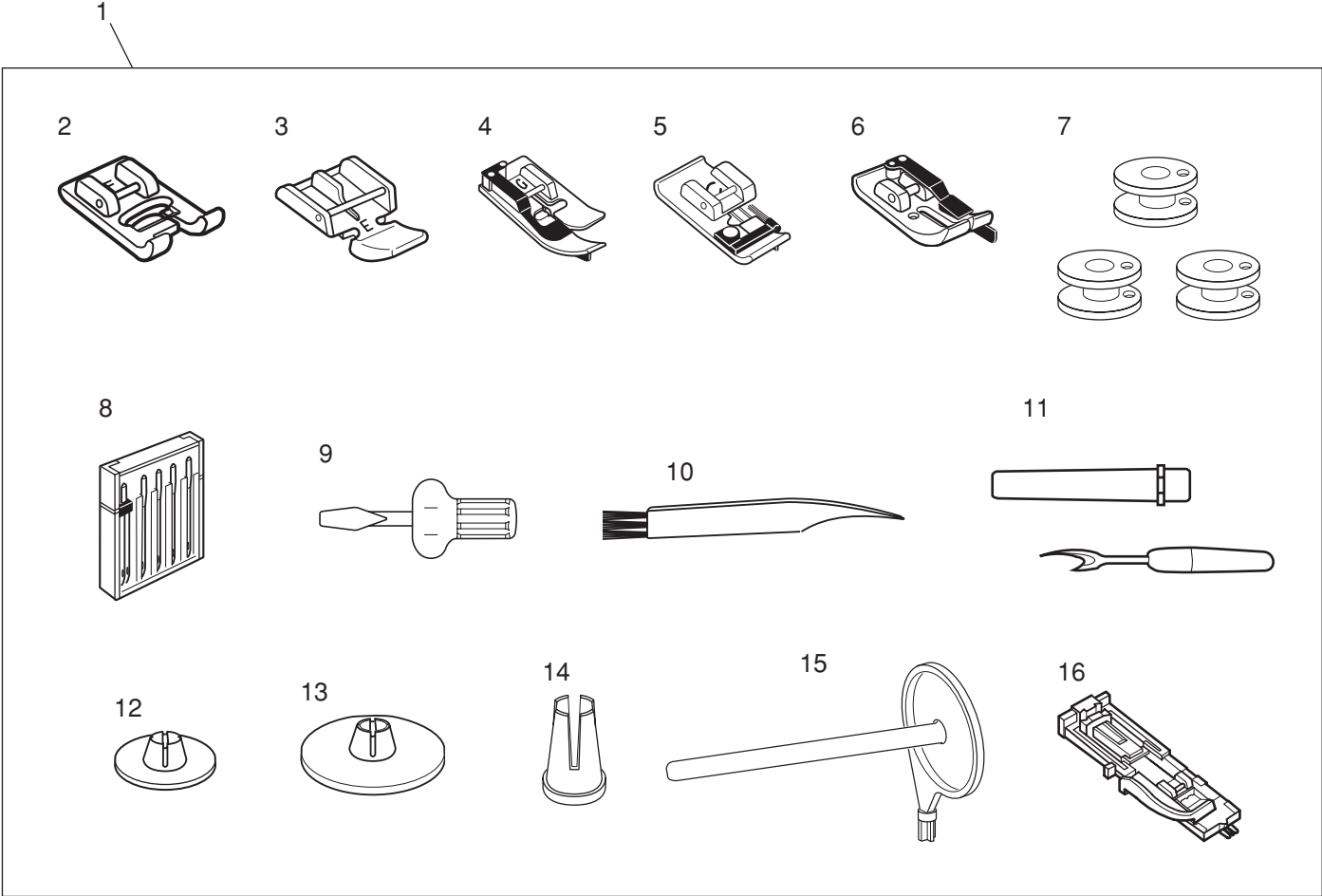
# PARTS LIST



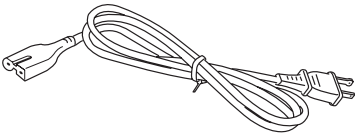
# PARTS LIST

KEY NO.	PARTS NO.	DESCRIPTION
1	863610101	Feed dog drop lever (unit)
2	863026001	Feed dog drop lever base
3	858142008	Feed dog drop lever connecting plate
4	000061803	Nut 3-3-5.5
5	000066705	Setscrew 3x8
6	858143009	Feed dog drop lever
7	000002507	Snap ring E-4
8	823119008	Spring
9	863027002	Rod
10	858139002	Drop connecting block
11	000002105	Snap ring E-3
12	000081005	Setscrew 4x8
13	858159019	Cord guide 2
14	863029004	Base plate
15	626045407	Cap
16	861077001	Cord guide (Free arm)
17	861628106	Feed motor (unit)
18	859215006	Feed balancing dial
19	000110200	Hexagonal socket screw 4x4 (WP)

# PARTS LIST



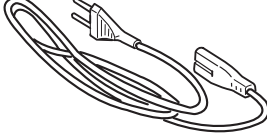
20 (U.S.A.) (Canada)



(Australia)



(Continental Europe)



# PARTS LIST

KEY NO.	PARTS NO.	DESCRIPTION
1	863870020	Accessories set
2	822804118	Satin stitch foot F
3	829801002	Zipper foot E
4	825817009	Blind hemming foot G
5	822801001	Overedge foot C
6	200008037	1/4" Seam foot
7	102261103	Bobbins
8	820827007	Needle case (unit)
9	820832005	Screwdriver (large)
10	802424004	Lint brush
11	647808009	Seam ripper (buttonhole opener)
12	822019509	Spool holders (small)
13	822020503	Spool holder (large)
14	862408008	Spool holders (special)
15	809041004	Extra spool pin
16	753801004	Buttonhole foot R
17	863800203	Instruction book (English)
	863800214	Instruction book (French)
	863800225	Instruction book (German)
	863800247	Instruction book (Dutch)
18	863806003	Instructional DVD
19	C-1036	Foot control
20	856519004	Power cable (U.S.A.) (Canada)
	830314018	Power cable (Australia)
	830335004	Power cable (Continental Europe)
21	858802003	Cover