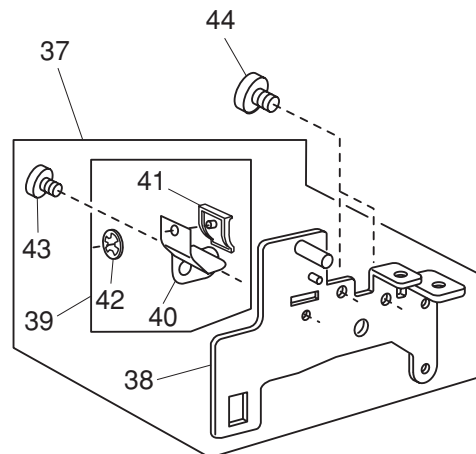
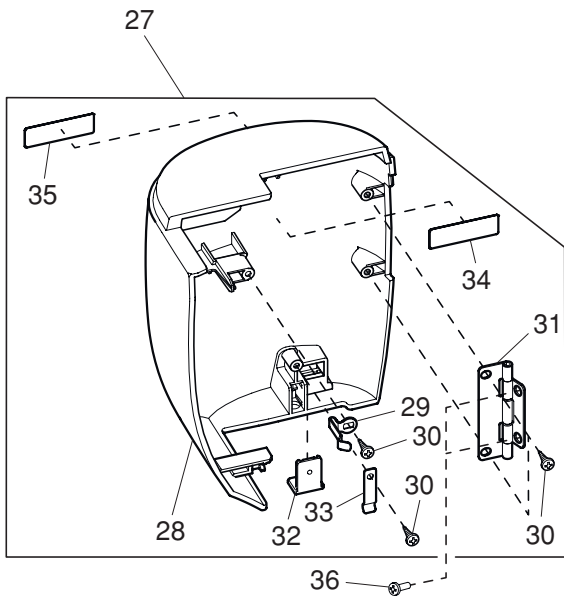
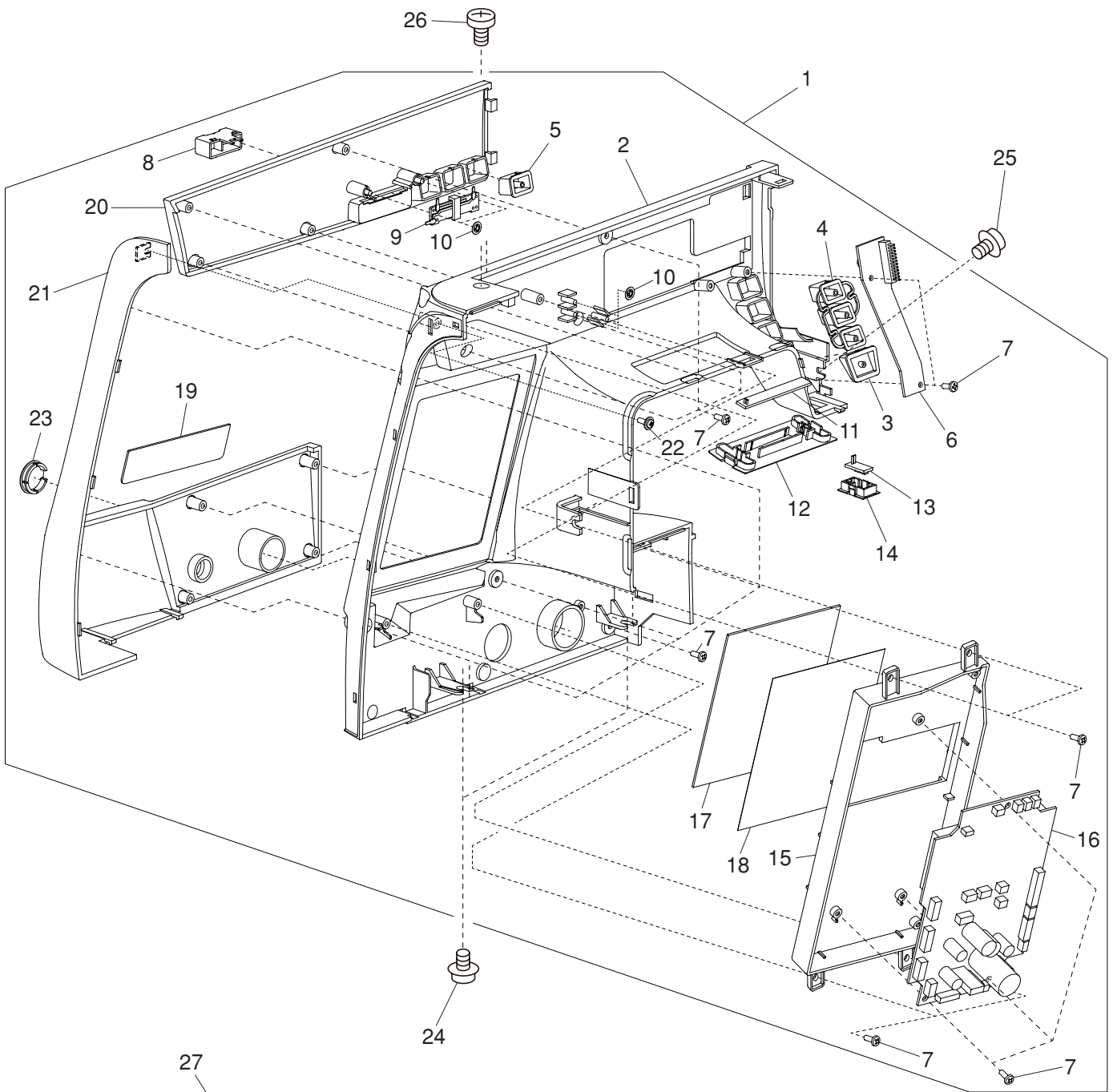


**SERVICE MANUAL
&
PARTS LIST**

MODEL: Skyline S5

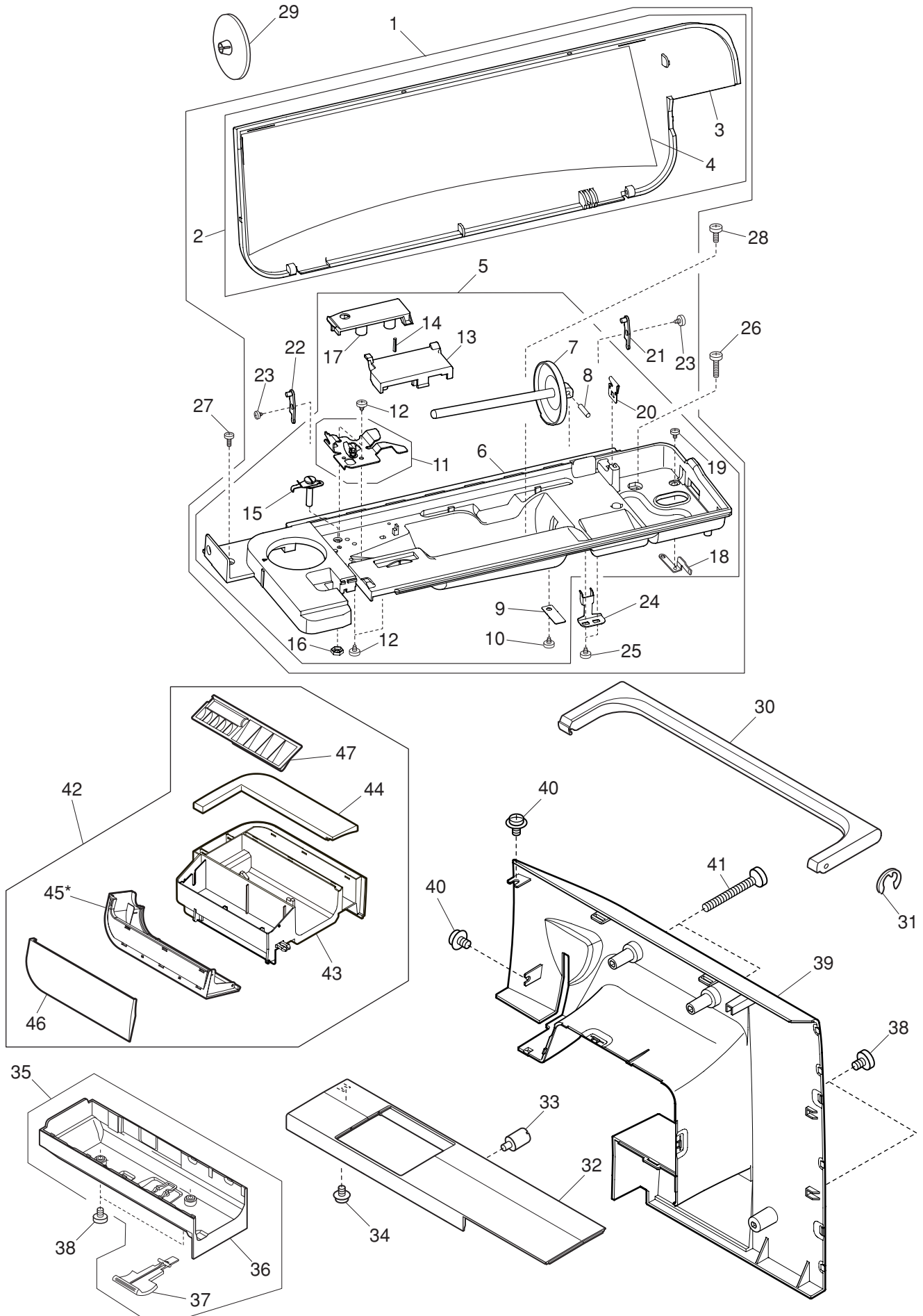
PARTS LIST



PARTS LIST

KEY NO.	PARTS NO.	DESCRIPTION
1	863608003	Front cover (unit)
2	863016008	Front cover
3	863017A01	Start/stop button
4	863018A01	Function button 1
5	863019A01	Function button 2
6	861510207	Printed circuit board F (unit)
7	000120203	Setscrew 3x8 (B)
8	863020005	Speed control slider
9	653507288	Slide volume (unit)
10	000014306	Snap ring CS-3
11	858502309	Printed circuit board L1 (unit)
12	858106000	LED cover 2
13	859525909	Printed circuit board L2 (unit)
14	860167006	Lamp cover 2
15	863021006	Printed circuit board A case
16	858542116	Printed circuit board A
17	852524000	Touch panel (unit)
18	863022A01	Touch panel sheet
19	863023A01	LCD panel
20	863024A01	Decorative plate 1
21	863025A01	Decorative plate 2
22	000149301	Flange head screw
23	859216007	Cap
24	000115205	Setscrew TP 4x6
25	000114710	Setscrew TP 3x6
26	000081005	Setscrew 4x8
27	863605000	Face plate (unit) (U.S.A.)
	863605103	Face plate (unit) (Canada)
	863605206	Face plate (unit) (Australia) (Continental Europe)
28	863010A01	Face plate
29	850013005	Face plate spring
30	000161206	Setscrew 3x10 (B)
31	851503103	Face plate hinge (unit)
32	840602006	Thread cutter (unit)
33	859233000	Spring
34	830312016	Caution sticker (U.S.A.)
	100045000	Caution sticker (Canada)
35	100517008	Caution sticker (Canada)
36	000081119	Setscrew 4x6
37	861612004	Carrying handle supporter (unit)
38	861024003	Carrying handle supporter
39	861613005	Spring (unit)
40	861073007	Spring
41	861074008	Spring cap
42	000017701	Snap ring CS-3.5
43	000101116	Setscrew 3x4
44	000081005	Setscrew 4x8

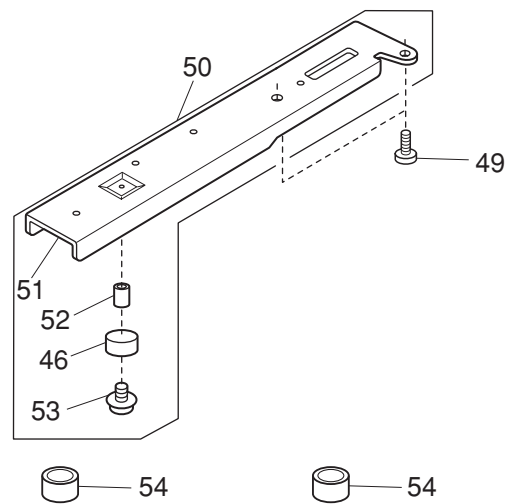
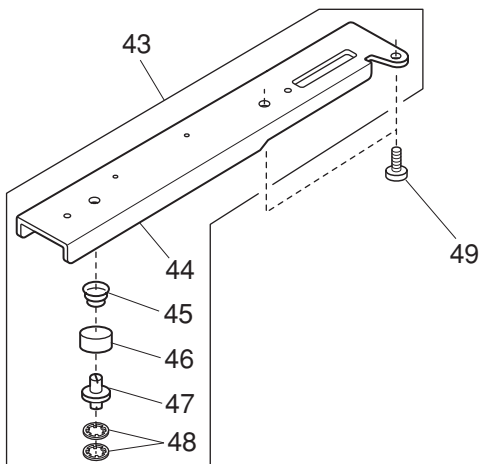
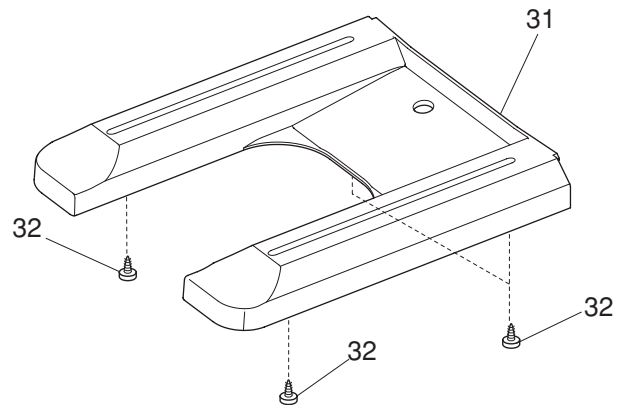
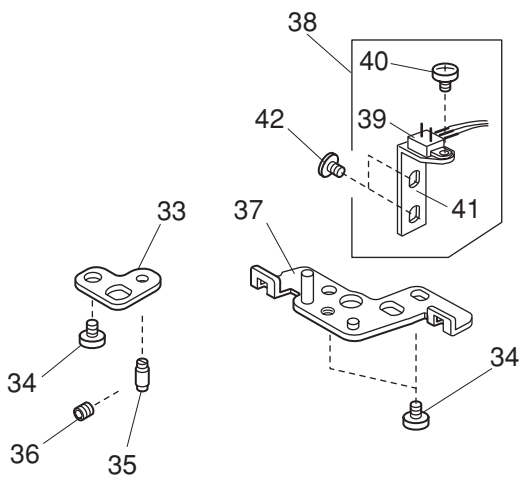
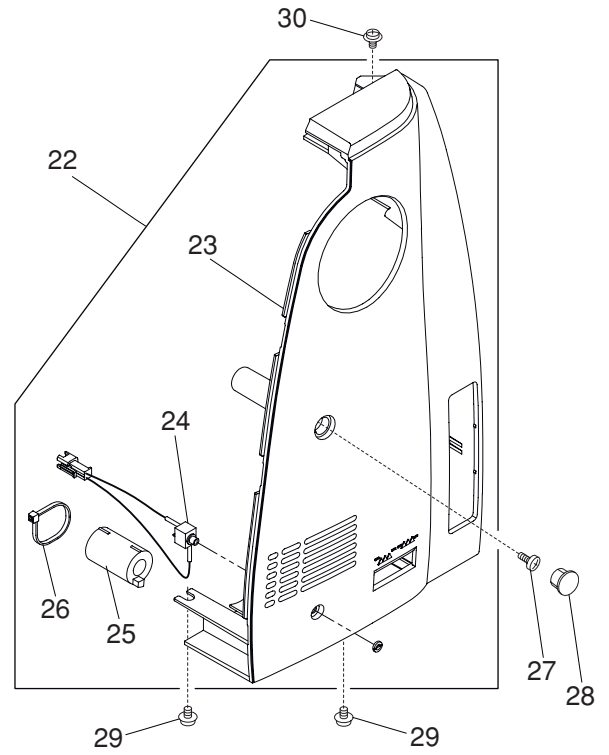
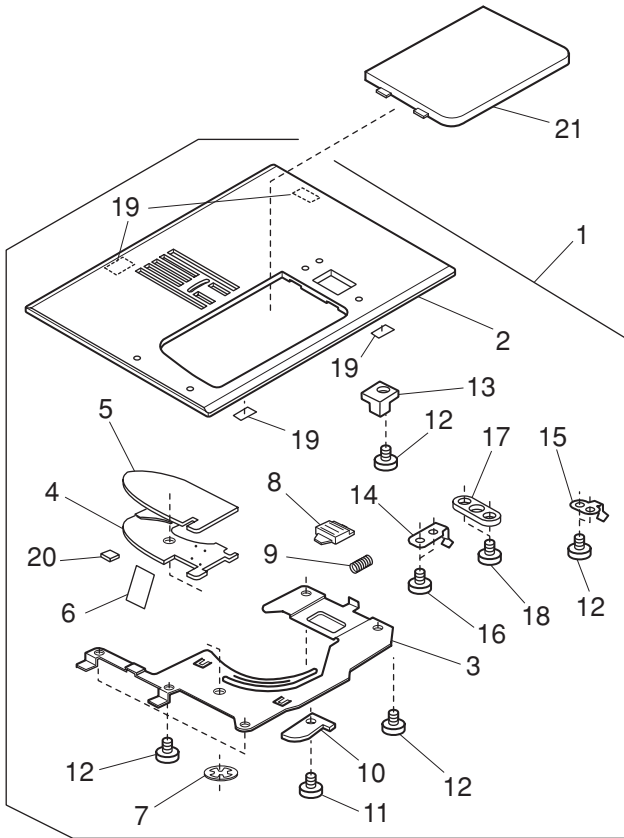
PARTS LIST



PARTS LIST

KEY NO.	PARTS NO.	DESCRIPTION
1	863602007	Top cover (whole unit)
2	863603008	Top cover (unit)
3	863007006	Top cover
4	863008A01	Quick reference chart
5	863604009	Top cover body (unit)
6	863009008	Top cover body
7	859052003	Spool pin
8	822017002	Spool pin shaft
9	822018003	Spool pin spring
10	000107204	Setscrew 3x12 (B)
11	859541004	Thread guide (unit)
12	000120203	Setscrew 3x8 (B)
13	859648002	Thread guide cover (unit)
14	000020202	Spring pin
15	830503005	Bobbin winder thread guide (unit)
16	000160102	Adjustable lock nut 4
17	830011001	Bobbin winder thread guide cover
18	861099009	Bobbin winder stopper
19	000103819	Setscrew 3x5
20	830505007	Thread cutter (unit)
21	858023002	Top cover hinge (right)
22	858023105	Top cover hinge (left)
23	000161206	Setscrew 3x10 (B)
24	859137003	Top cover hinge (right)
25	000120203	Setscrew 3x8 (B)
26	000104119	Setscrew 4x20
27	000066705	Setscrew 3x8
28	000170507	Setscrew 4x12
29	822020503	Spool holder
30	861019005	Carrying handle
31	000001609	Snap ring E-5
32	861007206	Free arm cover
33	858165100	Pin
34	000114710	Setscrew TP 3x6
35	861604003	Bed cover (unit)
36	861008001	Bed cover
37	859040008	Lever
38	000081005	Setscrew 4x8
39	863002A01	Rear cover
40	000115205	Setscrew TP 4x6
41	000093402	Setscrew 4x40
42	863613A01	Extension table (unit)
43	863003002	Extension table
44	863004003	Extension table cover
45*	—	Extension table lid (not supplied individually)
46	863006005	Extension table lid cover
47	861012008	Foot tray

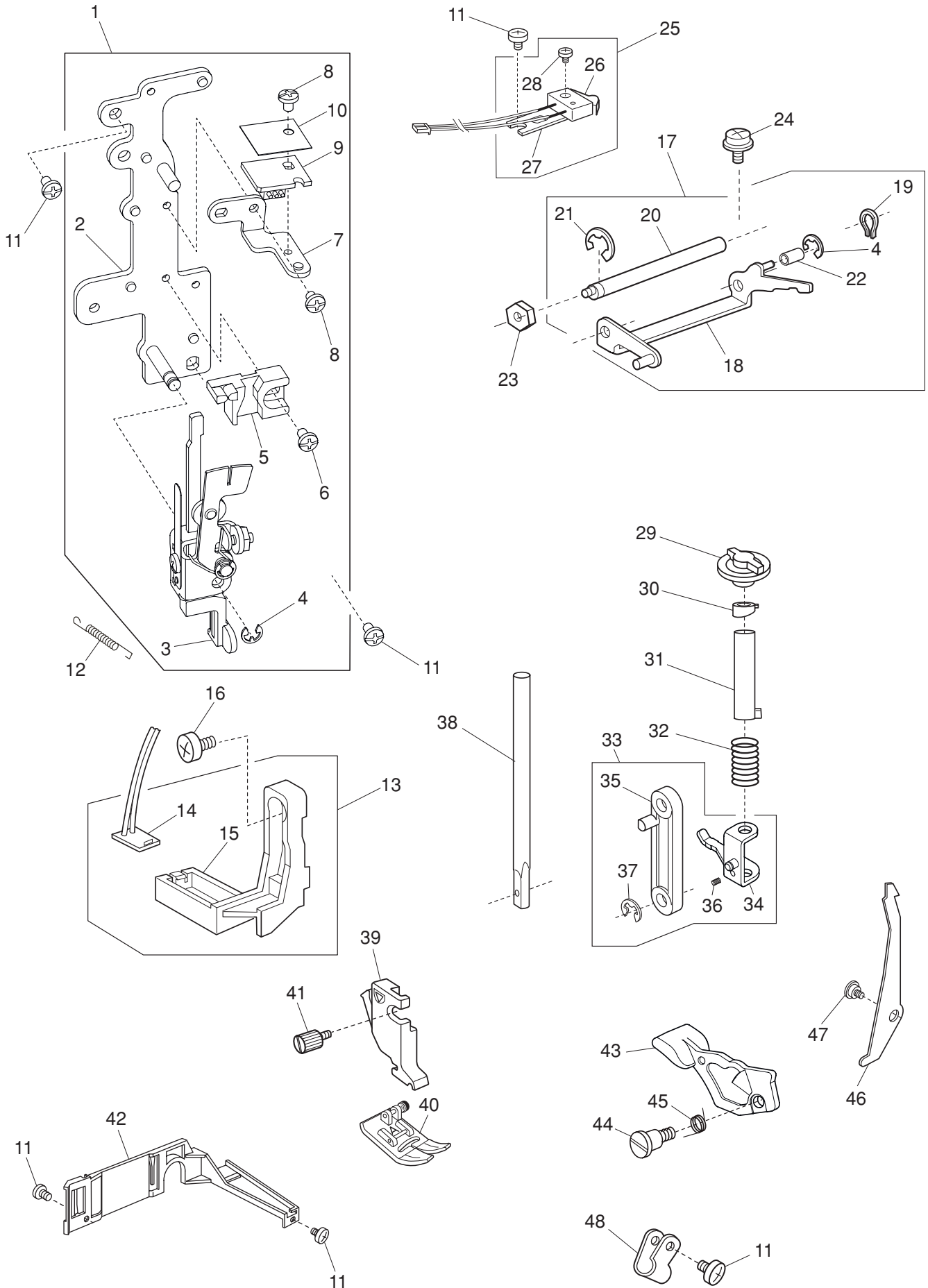
PARTS LIST



PARTS LIST

KEY NO.	PARTS NO.	DESCRIPTION
1	861606005	Needle plate (unit)
2	861013010	Needle plate
3	861014000	Hook cover plate supporter
4	809134005	Hook cover plate supporter base
5	809135006	Guide holder
6	809137008	Cutter
7	000014306	Snap ring CS-3
8	825016000	Hook cover plate release button
9	825017001	Spring
10	809044203	Rotation stopper
11	000097613	Setscrew 2x4
12	820374004	Setscrew 2x2.3
13	859046004	Needle plate sensor block
14	859047016	Spring
15	859245005	Spring 2
16	000169709	Setscrew 2x2.3
17	859271000	Guide plate
18	000102807	Setscrew 2x4
19	859272104	Rubber sheet
20	861152001	Felt
21	809136100	Hook cover plate
22	863611102	Belt cover (unit) (U.S.A.) (Canada)
	863611009	Belt cover (unit) (Australia) (Continental Europe)
23	863028003	Belt cover
	767541006	Jack cord (unit) (U.S.A.) (Canada)
24	767541202	Jack cord (unit) (Australia) (Continental Europe)
25	863504008	Ferrite core (Australia) (Continental Europe)
26	000053101	Cord binder (Australia) (Continental Europe)
27	000081005	Setscrew 4x8
28	745033002	Cap
29	000115205	Setscrew TP 4x6
30	000115009	Setscrew TP 3x8
31	863001000	Base cover
32	000161206	Setscrew 3x10 (B)
33	860003025	Needle plate nut set plate
34	810220106	Setscrew
35	859270009	Needle plate positioning pin
36	000111201	Hexagonal socket screw 4x4
37	859247018	Needle plate adjusting plate
38	859671107	Needle plate sensor (unit)
39	859524104	Switch (unit)
40	755096004	Setscrew
41	859246006	Switch set plate
42	000193001	Setscrew TP 4x6
43	861601000	Arm sole (front side) (unit)
44	861002005	Arm sole (front side)
45	858162004	Spring
46	605074008	Rubber foot
47	820350004	Adjusting screw
48	000014409	Snap ring CS-8
49	000100702	Setscrew 6x10
50	861603002	Arm sole (rear side) (unit)
51	861003006	Arm sole (rear side)
52	000141107	Bushing
53	000119106	Setscrew TP 4x10
54	647009002	Rubber foot

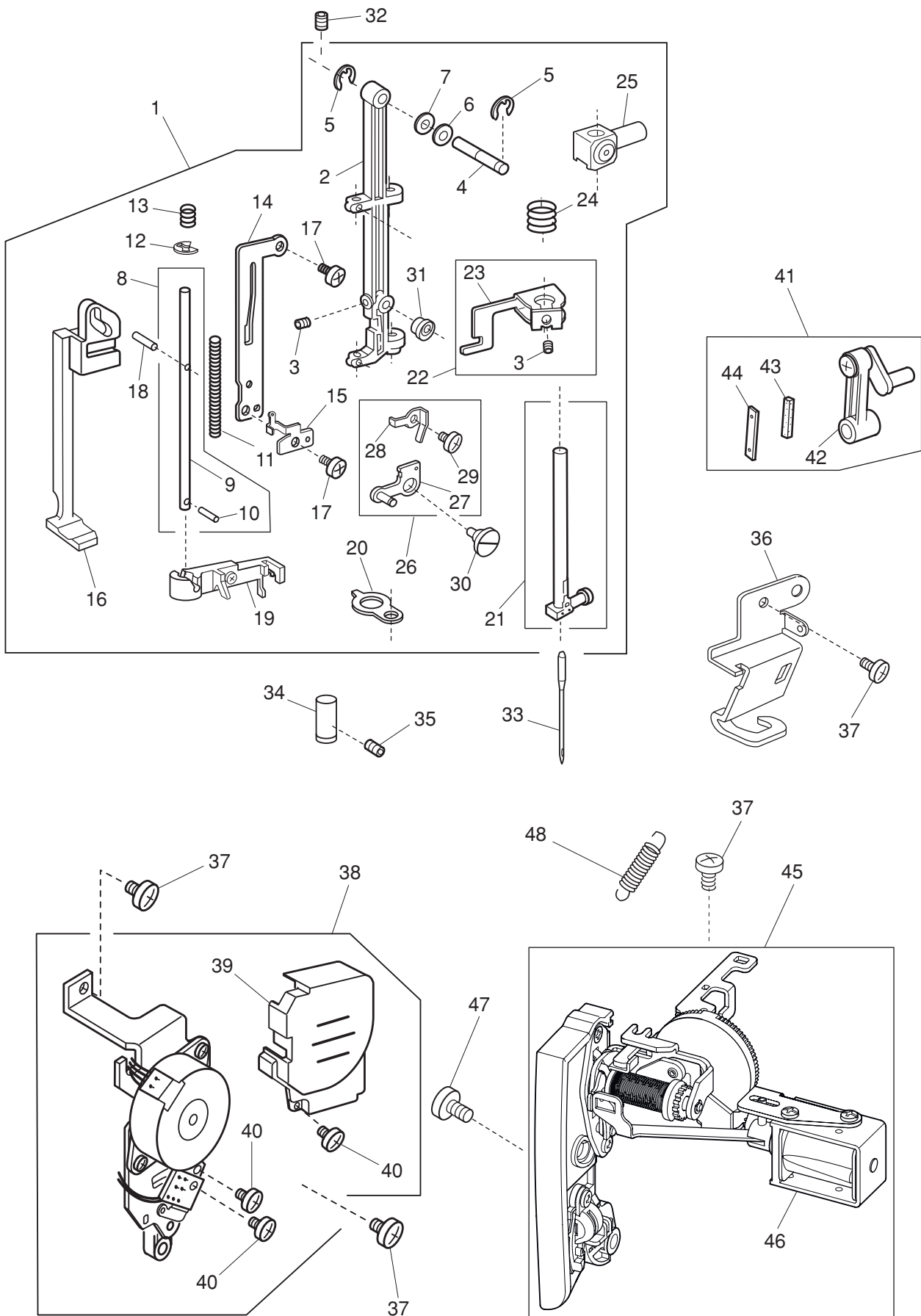
PARTS LIST



PARTS LIST

KEY NO.	PARTS NO.	DESCRIPTION
1	863606001	Front bracket (unit)
2	861030013	Front bracket
3	843625406	Buttonhole lever (unit)
4	000002105	Snap ring E-3
5	830057021	Buttonhole lever guide
6	000103808	Setscrew 3x5
7	861031003	Sensor base plate
8	000101105	Setscrew 3x4
9	852502312	Printed circuit board G1 (unit)
10	853028002	Insulation sheet
11	000081005	Setscrew 4x8
12	844038018	Needle bar supporter spring
13	861665404	LED cover (unit)
14	859525806	Printed circuit board L2 (unit)
15	859232021	LED cover
16	000078319	Setscrew 3x6
17	861616101	Presser foot actuator arm (unit)
18	861035007	Presser foot actuator arm
19	000014605	Snap ring 6
20	830060005	Presser foot actuator arm
21	000001609	Snap ring E-5
22	861034006	Bushing
23	000061205	Nut 4
24	000115629	Setscrew TP 4x8
25	861617009	Presser foot lifter switch (unit)
26	652520099	Micro switch (unit)
27	861029008	Micro switch set plate
28	000102900	Setscrew 2x8
29	858136102	Presser foot pressure adjusting dial
30	858155004	Presser foot pressure adjusting cam
31	858028007	Presser bar bushing
32	861026005	Presser bar spring
33	863614002	Presser bar supporter (unit)
34	863012004	Presser bar supporter
35	861028007	Presser bar link
36	000111500	Hexagonal socket screw 4x8
37	000002507	Snap ring E-4
38	827021200	Presser bar
39	859801005	Presser foot holder (unit)
40	859802006	Zigzag foot (unit)
41	858274000	Thumbscrew
42	861078002	Cord guide
43	863011003	Presser foot lifter lever
44	859028000	Setscrew
45	859029001	Spring
46	861067008	Tension release lever
47	859273002	Setscrew
48	000188601	Nylon clip

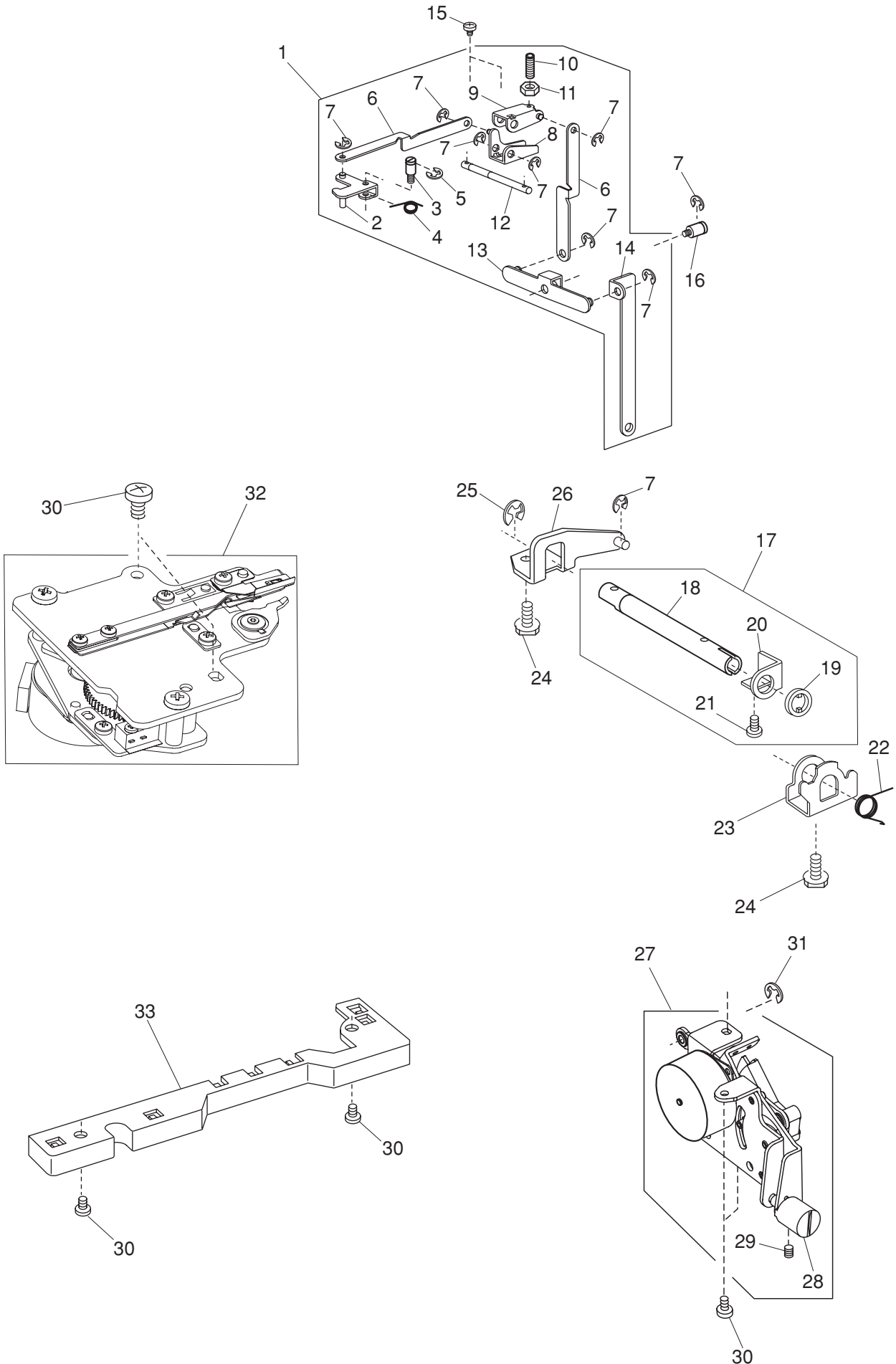
PARTS LIST



PARTS LIST

KEY NO.	PARTS NO.	DESCRIPTION
1	861664001	Needle bar supporter (unit)
2	846047005	Needle bar supporter
3	000111902	Hexagonal socket screw 3x4
4	735144006	Needle bar supporter pin
5	000002507	Snap ring E-4
6	000070609	Washer 6
7	673022002	Washer
8	846612100	Threader shaft (unit)
9	846048028	Threader shaft
10	000003508	Knock pin
11	842090001	Needle threader spring
12	000002105	Snap ring E-3
13	842096007	Threader lever spring
14	842091002	Threader guide plate
15	844036038	Threader lever plate
16	859111001	Threader lever
17	000078319	Setscrew 3x6
18	000125105	Pin
19	846588014	Threader guard plate (unit)
20	829027006	Supporter guide plate
21	859647001	Needle bar (unit)
22	861610002	Threader position setting plate (unit)
23	861052000	Threader position setting plate
24	858172007	Needle bar connecting stud spring
25	846515009	Needle bar connecting stud (unit)
26	861630008	Zigzag width rod (unit)
27	808015006	Zigzag width rod
28	827088009	Zigzag width rod spring
29	820373003	Setscrew
30	678084007	Eccentric pin
31	808074003	Washer
32	000111201	Hexagonal socket screw 4x4
33	647814031	Needle HA1-14
34	827083004	Supporter guide pin
35	000216805	Hexagonal socket screw 3x3
36	861004007	Arm thread guide
37	000081005	Setscrew 4x8
38	861629004	Zigzag width motor (unit)
39	861055003	Motor cover
40	000101105	Setscrew 3x4
41	846615103	Needle bar crank (unit)
42	843543007	Needle bar crank pin (unit)
43	650040005	Felt
44	650041006	Spring
45	863607002	Thread tension (unit)
46	834604308	Solenoid (unit)
47	000101703	Setscrew 4x12
48	850212017	Spring

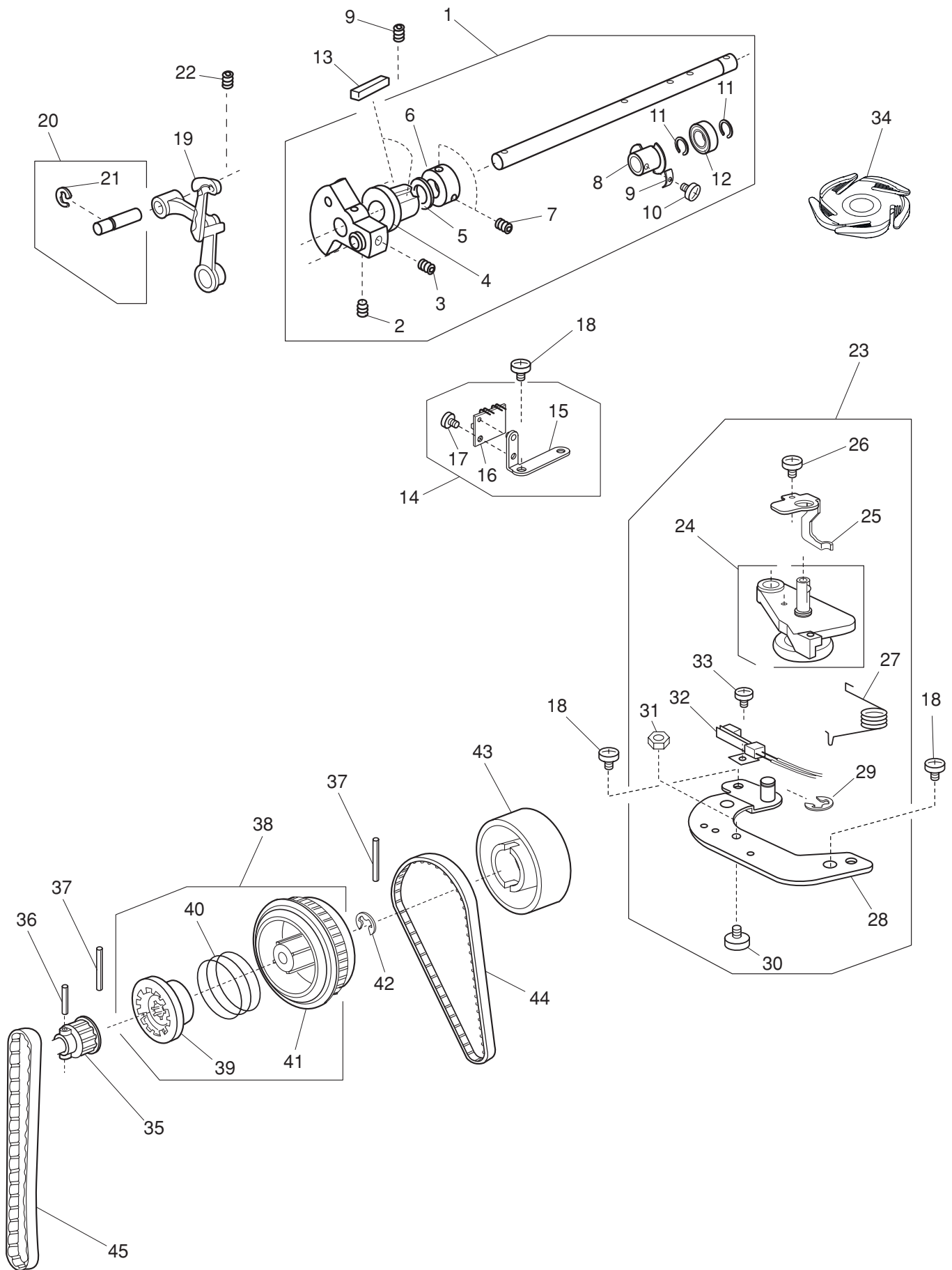
PARTS LIST



PARTS LIST

KEY NO.	PARTS NO.	DESCRIPTION
1	861633001	Knee lifter link (unit)
2	861058006	Knee lifter link (1)
3	861059007	Knee lifter link (1) shaft
4	861065006	Knee lifter link (1) spring
5	000001609	Snap ring E-5
6	861060001	Knee lifter rod (1)
7	000002507	Snap ring E-4
8	860053008	Knee lifter link (2)
9	861061002	Knee lifter link (3)
10	000196406	Hexagonal socket screw 4x25
11	000061205	Nut 4
12	861062003	Knee lifter link (2) shaft
13	861063004	Knee lifter middle link
14	861064005	Knee lifter link (4)
15	000103303	Setscrew 3.5x12
16	686063005	Setscrew
17	861632000	Knee lifter shaft (unit)
18	861057005	Knee lifter shaft
19	846297002	Stopper
20	861072006	Stopper plate
21	000101105	Setscrew 3x4
22	858091001	Knee lifter stopper spring
23	861154003	Knee lifter stopper
24	000138503	Hexagonal socket screw 5x12
25	000002208	Snap ring E-9
26	861066007	Knee lifter shaft arm
27	861628106	Feed motor (unit)
28	859215006	Feed balancing dial
29	000110200	Hexagonal socket screw 4x4 WP
30	000081005	Setscrew 4x8
31	000002105	Snap ring E-3
32	861631009	Automatic thread cutter (unit)
33	861077001	Cord guide (Free arm)

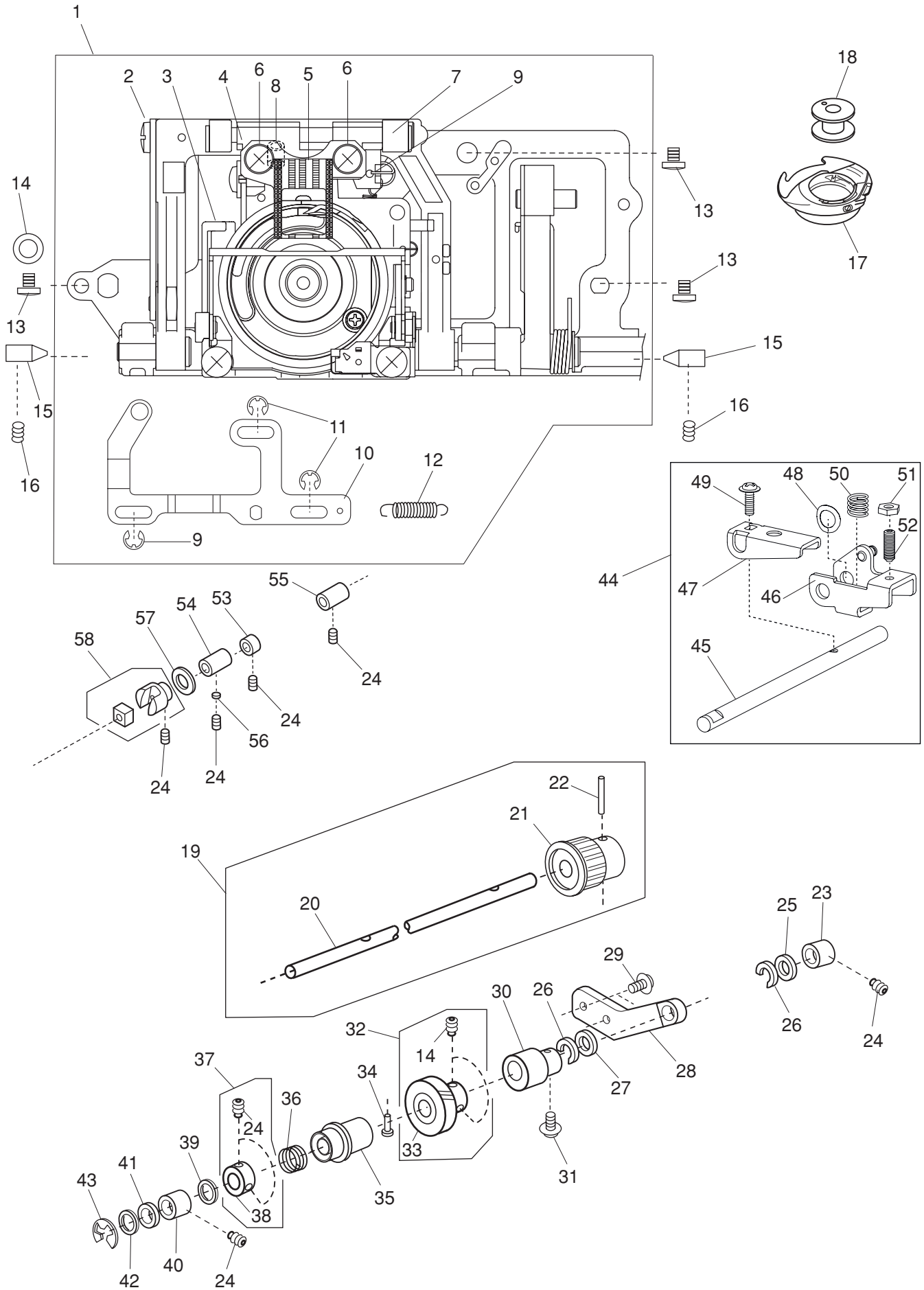
PARTS LIST



PARTS LIST

KEY NO.	PARTS NO.	DESCRIPTION
1	861619104	Upper shaft (unit)
2	000111706	Hexagonal socket screw 5x8
3	000110901	Hexagonal socket screw 5x4
4	670079201	Upper shaft front bushing
5	000040105	Washer
6	767077006	Ring
7	000111304	Hexagonal socket screw 5x5
8	859055006	Upper shaft shield plate
9	859033008	Washer
10	000080406	Setscrew 3x10
11	000032702	Snap ring crescent
12	767178101	Ball bearing 6901ZZ
13	731312005	Felt
14	861620108	Upper shaft sensor (unit)
15	861039001	Sensor set plate
16	807505201	Printed circuit board P (unit)
17	000101105	Setscrew 3x4
18	000081005	Setscrew 4x8
19	820511108	Thread take-up lever (unit)
20	650626001	Thread take-up lever pin (unit)
21	000002806	Snap ring E-6
22	000111201	Hexagonal socket screw 4x4
23	861636200	Bobbin winder (unit)
24	861503001	Bobbin winder (unit)
25	861096006	Clutch lever
26	000120203	Setscrew 3x8 (B)
27	861091001	Bobbin winder arm spring
28	861092002	Bobbin winder set plate
29	000001609	Snap ring E-5
30	861153002	Bobbin winder stopper screw
31	000063104	Nut 3-2-5.5
32	856512203	Leaf switch (unit)
33	000081706	Setscrew 2.5x5
34	862647001	Thread cutter holder (unit)
35	858052000	Upper shaft gear
36	000004303	Pin 3x20
37	000024206	Pin 3x30
38	858647008	Belt wheel (unit)
39	858053001	Clutch ring
40	502065004	Clutch spring
41	858054002	Belt wheel
42	000030009	Snap ring E-10
43	858055106	Handwheel
44	846098001	Timing belt 178
45	858118005	Timing belt 168

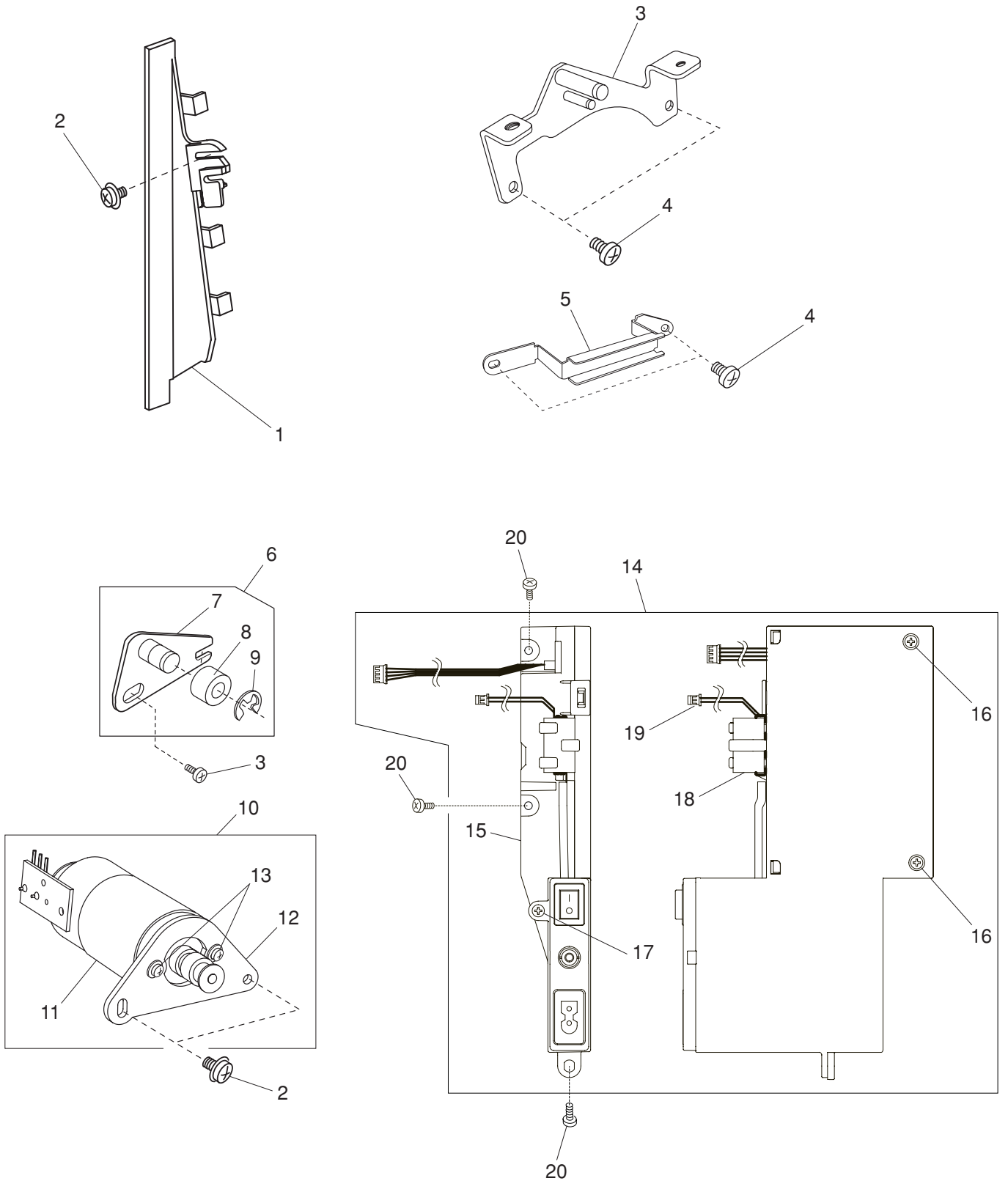
PARTS LIST



PARTS LIST

KEY NO.	PARTS NO.	DESCRIPTION
1	861625103	Feed rock shaft (whole unit)
2	846629100	Feed rock shaft (unit)
3	861626104	Hook race (unit)
4	859639000	Feed base (unit)
5	859113003	Feed dog
6	000104005	Setscrew 3.5x8
7	825099007	Feed base shaft
8	000111407	Hexagonal socket screw 4x6
9	825103005	Feed base spring
10	858138001	Drop plate
11	000002105	Snap ring E-3
12	661018008	Spring
13	000081005	Setscrew 4x8
14	000070506	Washer 4
15	738055008	Straight pin
16	000111304	Hexagonal socket screw 5x5
17	858570009	Bobbin holder (unit)
18	102261103	Bobbin
19	861621006	Lower shaft (unit)
20	861040005	Lower shaft
21	650073007	Lower gear
22	000004200	Pin 3x18
23	650079003	Lower shaft bushing (rear)
24	000111201	Hexagonal socket screw 4x4
25	822070003	Felt (1)
26	822112008	Felt holder (1)
27	861051009	Felt
28	858058006	Lower shaft supporter
29	000115700	Setscrew TP 4x10
30	846379009	Feed cam
31	000149600	Setscrew 3x14
32	850687006	Lower shaft gear (unit)
33	650955002	Lower shaft gear
34	820161006	Feed lifting pin
35	846103000	Feed lifting cam
36	825093001	Feed lifting cam spring
37	820672005	Lower shaft ring (unit)
38	820166001	Lower shaft ring
39	000038502	Washer
40	858060001	Lower shaft bushing (front)
41	735143005	Felt
42	858177002	Lower shaft washer
43	000002806	Snap ring E-6
44	861627002	Feed shaft (unit)
45	861048003	Feed shaft
46	858129009	Feed arm (1)
47	858130003	Feed arm (2)
48	810207004	Washer
49	000201302	Setscrew TP 3x10
50	589040002	Spring
51	000160102	Adjustable lock nut 4
52	000177401	Hexagonal socket screw 4x12
53	820387000	Ring
54	625144002	Feed shaft bushing (front)
55	650092002	Feed shaft bushing (rear)
56	650175000	Washer
57	823110009	Felt
58	625508008	Feed regulator (unit)

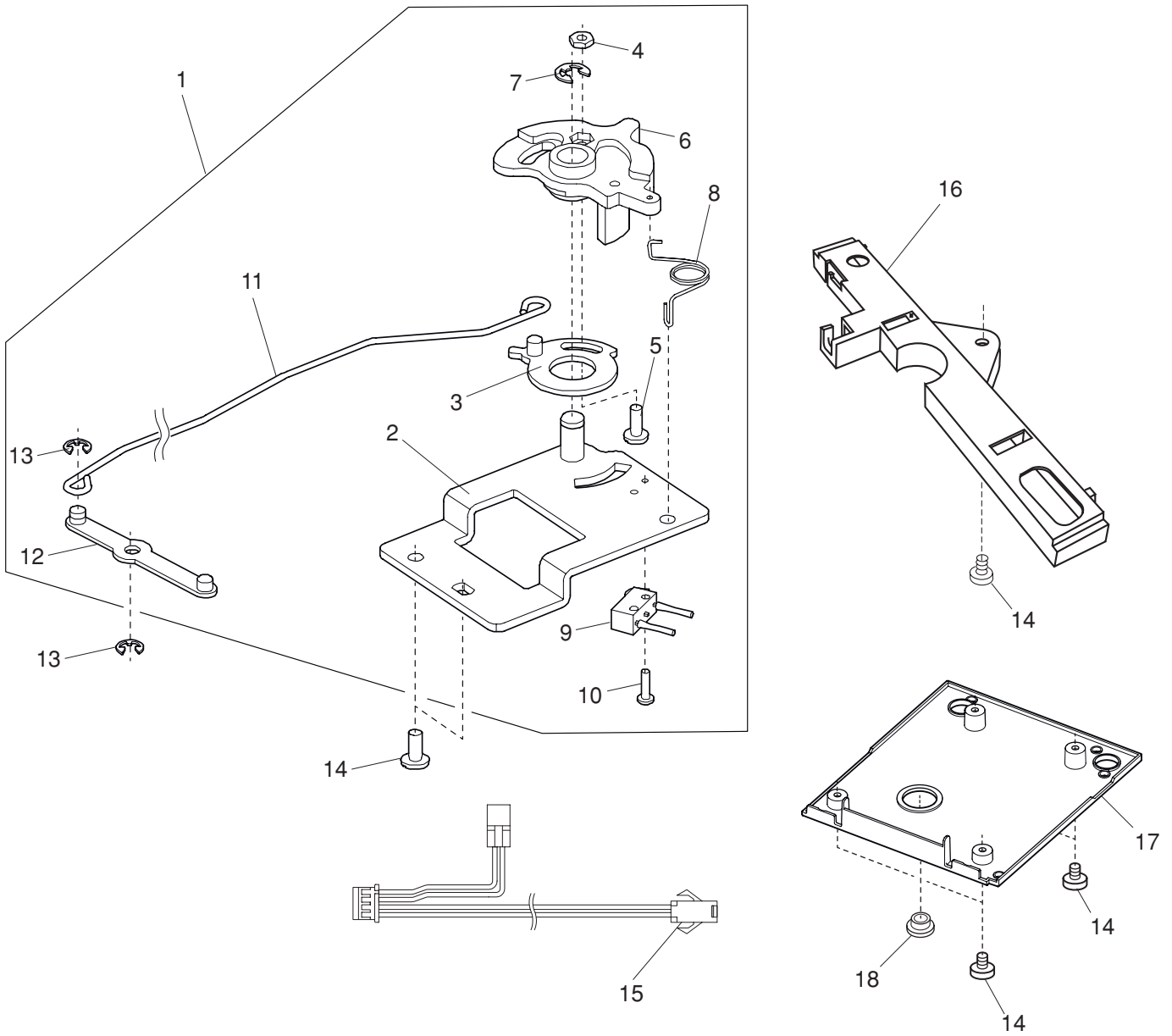
PARTS LIST



PARTS LIST

KEY NO.	PARTS NO.	DESCRIPTION
1	858145012	Cord guide plate
2	000115607	Setscrew TP 4x8
3	861075009	Carrying handle supporter (rear)
4	000081005	Setscrew 4x8
5	861089006	Cord guide
6	860608004	Idler (unit)
7	860021007	Idler base
8	625217100	Idler
9	000002806	Snap ring E-6
10	858639100	DC motor (unit)
11	843518807	DC motor (unit)
12	858117004	DC motor bracket
13	000115009	Setscrew TP 3x8
14	863612103	Switching power supply (unit) (U.S.A.) (Canada)
	863612000	Switching power supply (unit) (Australia) (Continental Europe)
15	862004000	Switching power supply case
16	000119704	Setscrew 3x14 (B)
17	000161206	Setscrew 3x10 (B)
18	808108007	Ferrite core (Australia) (Continental Europe)
19	863505102	TRS connector cord (U.S.A.) (Canada)
	863505009	TRS connector cord (Australia) (Continental Europe)
20	000103509	Setscrew 4x10

PARTS LIST

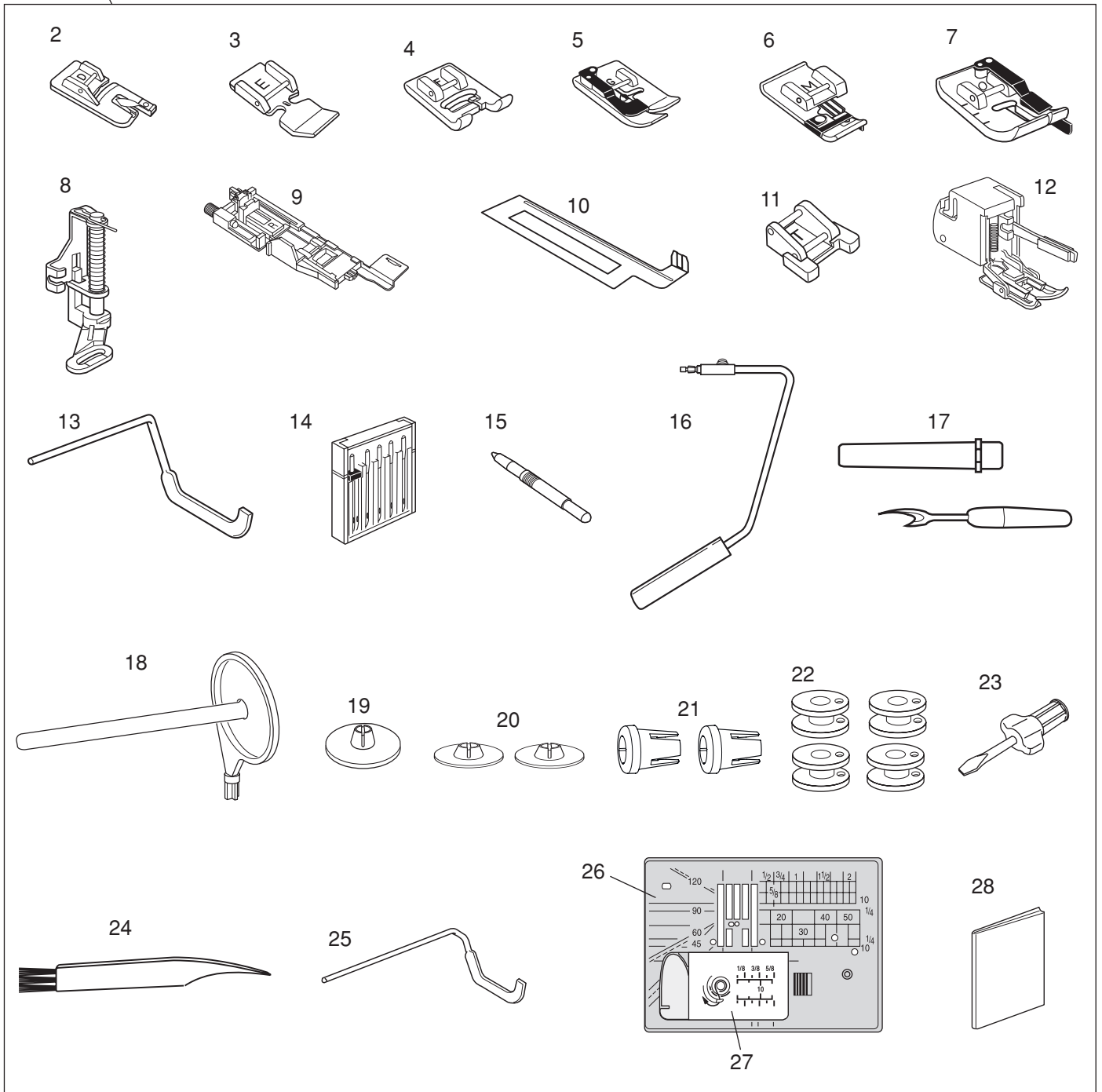


PARTS LIST

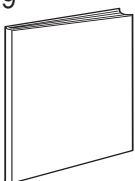
KEY NO.	PARTS NO.	DESCRIPTION
1	863610008	Feed dog drop lever (unit)
2	863026001	Feed dog drop lever base
3	858142008	Feed dog drop lever connecting plate
4	000061803	Nut 3-3-5.5
5	000066705	Setscrew 3x8
6	858143009	Feed dog drop lever
7	000002507	Snap ring E-4
8	823119008	Spring
9	846513030	Micro switch (unit)
10	000102900	Setscrew 2x8
11	863027002	Rod
12	858139002	Drop connecting block
13	000002105	Snap ring E-3
14	000081005	Setscrew 4x8
15	863503007	Junction cable
16	858159019	Cord guide 2
17	863029004	Base plate
18	626045407	Cap

PARTS LIST

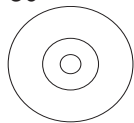
1



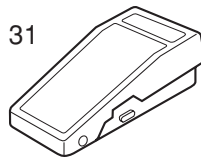
29



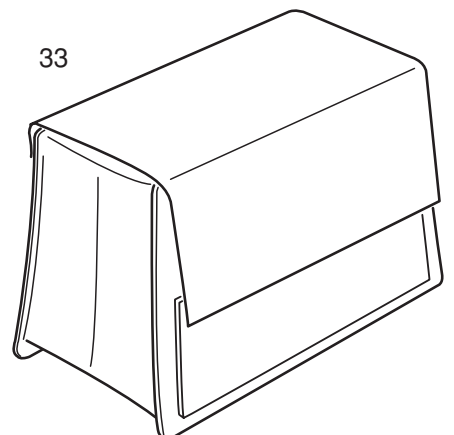
30



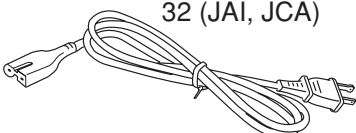
31



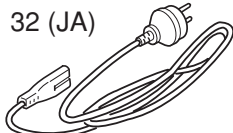
33



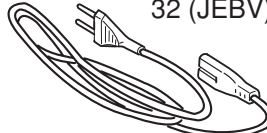
32 (JAI, JCA)



32 (JA)



32 (JEBV)



PARTS LIST

KEY NO.	PARTS NO.	DESCRIPTION
1	863870008	Accessories set
2	859804008	Rolled hem foot D
3	859805009	Zipper foot E
4	859806011	Satin stitch foot F
5	859807001	Blind hemming foot G
6	859810007	Overedge foot M
7	859814001	1/4" Seam foot O
8	859839002	Darning foot PD-H
9	862822013	Automatic buttonhole foot R
10	859832016	Stabilizer plate
11	859811008	Button sewing foot T
12	202137009	Even feed foot
13	214015007	Quilting bar
14	859856005	Needle case (unit)
15	860194002	Touch panel stylus
16	846417011	Knee lifter
17	647808009	Seam ripper (buttonhole opener)
18	809041004	Extra spool pin
19	822020503	Spool holder (large)
20	822019509	Spool holders (small)
21	862408008	Spool holders (special)
22	102261103	Bobbins
23	820832005	Screwdriver
24	802424004	Lint brush
25	755802001	Quilting guide bar
26	862817107	Straight stitch needle plate
27	809136100	Hook cover plate
28	858801002	Caution card
29	863800007	Instruction book (English)
	863800029	Instruction book (German)
	863800030	Instruction book (French)
	863800041	Instruction book (Dutch)
30	863801008	Instructional DVD
31	C-1036	Foot control
32	856519004	Power cable (U.S.A.) (Canada)
	830314018	Power cable (Australia)
	830335004	Power cable (Continental Europe)
33	858802003	Cover