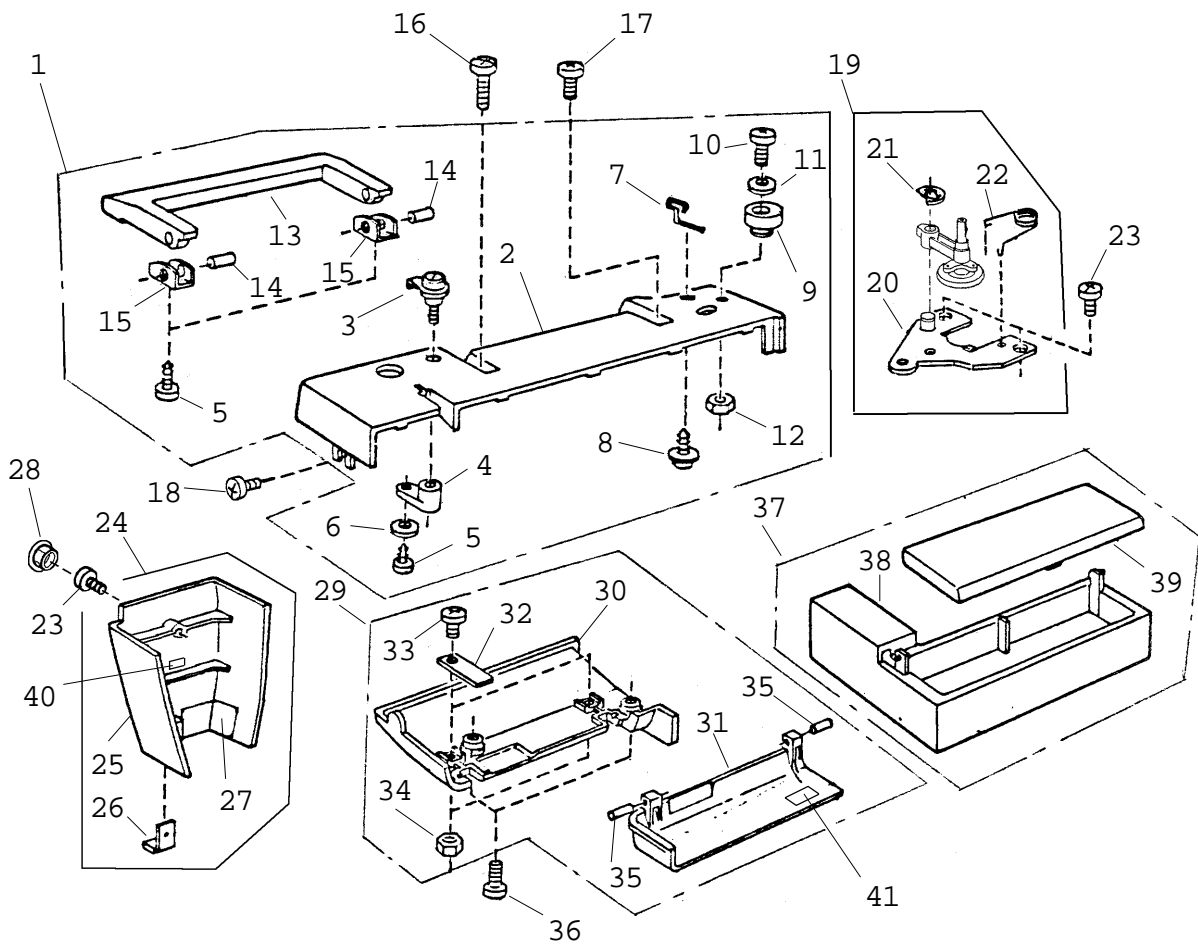
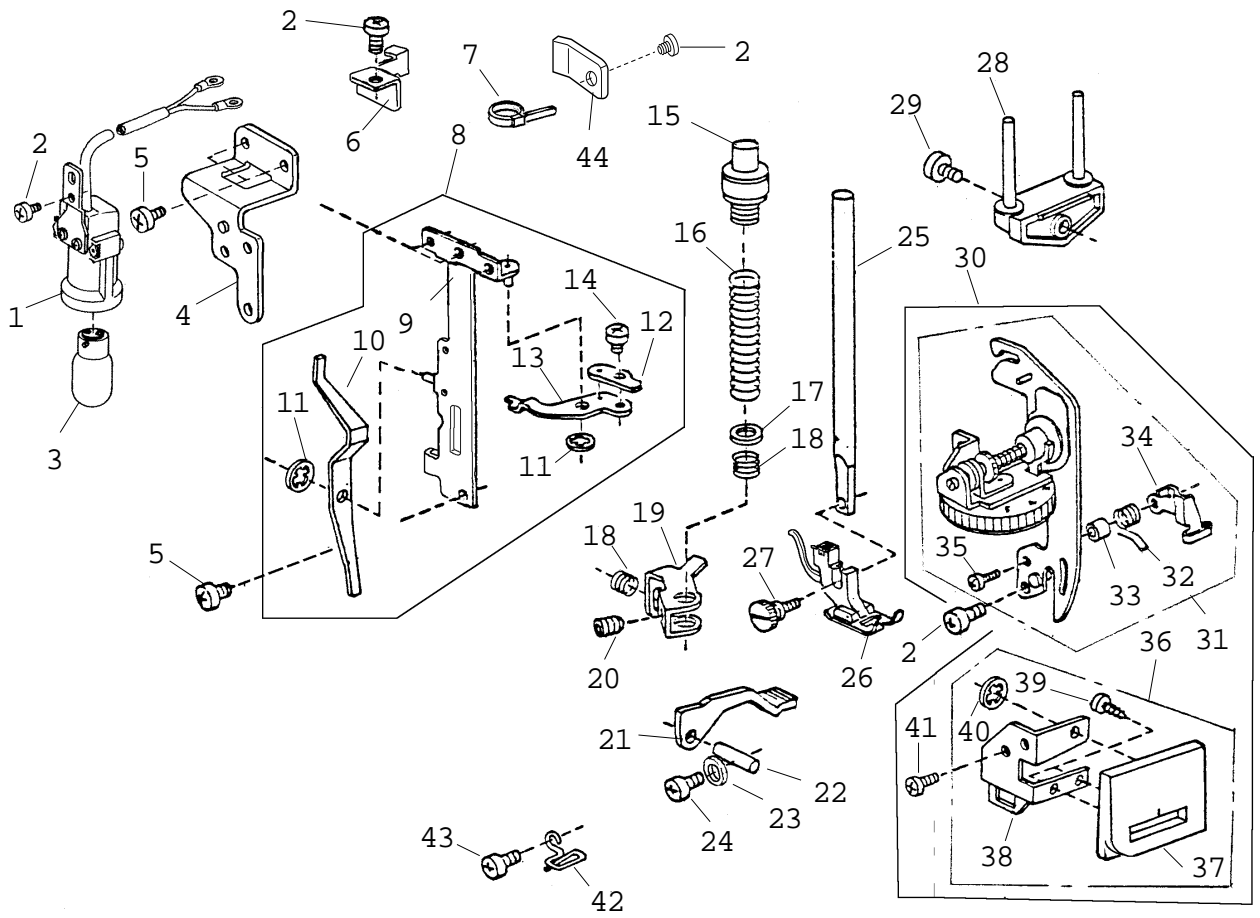

PARTS LIST

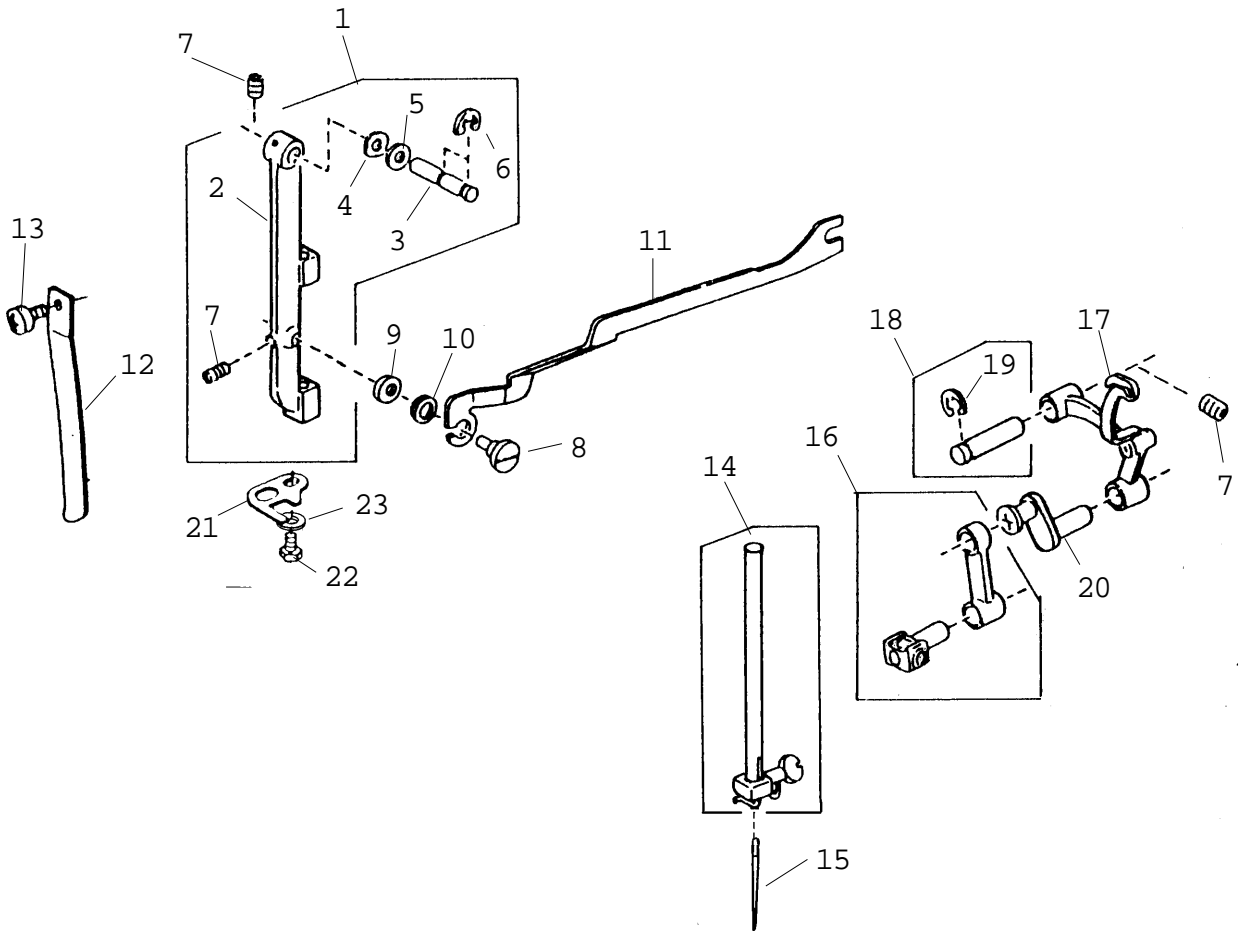
MODELS RX18S & RX22



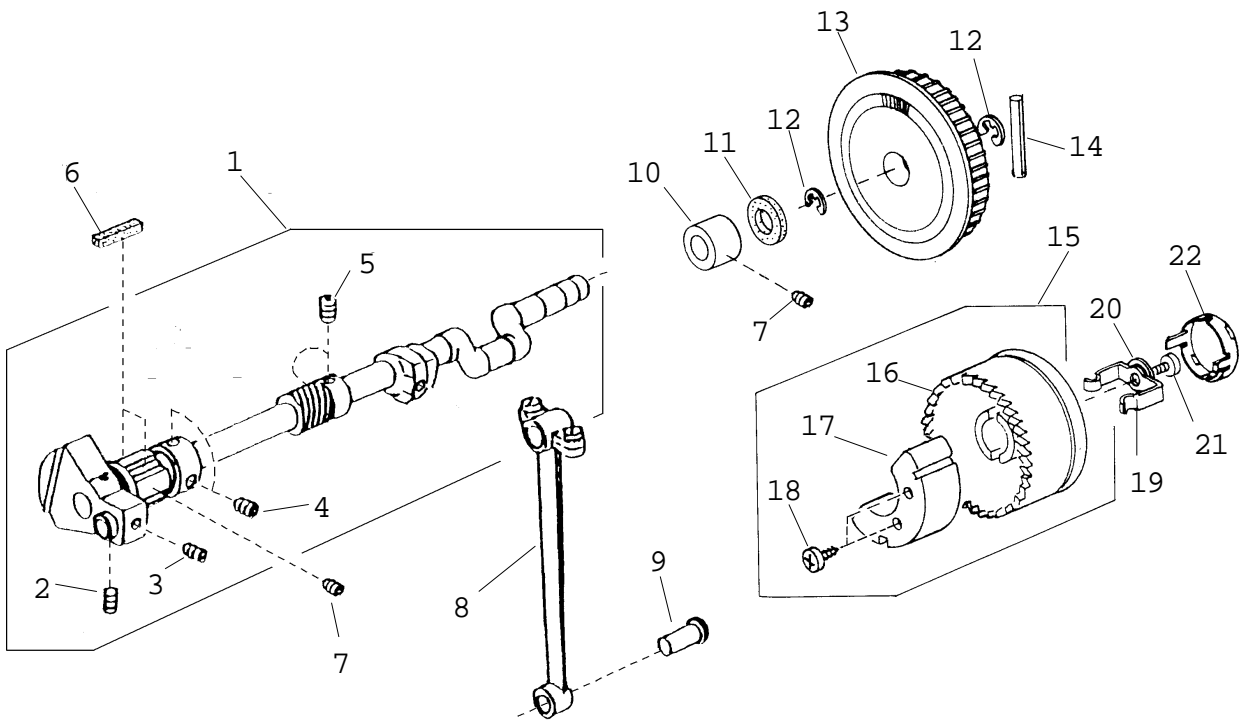
KEY NO.	PART NO.	NAME
1	722601006	Top cover unit
2	722004003	Top cover
3	730501011	Thread guide plate unit
4	822021009	Thread guide holder
5	000107204	Setscrew
6	000070104	Washer
7	731004001	Top cover thread guide
8	000109000	Setscrew
9	735016307	Bobbin winder stopper
10	000101828	Setscrew
11	000071013	Washer
12	000061205	Nut
13	722005004	Carrying handle
14	730015002	Handle fixing plate pin
15	730016003	Handle fixing plate
16	000104108	Setscrew
17	000101404	Setscrew
18	000115205	Setscrew
19	730604107	Bobbin winder unit
20	730018108	Bobbin winder base plate
21	000002806	Snap ring e-6
22	730019006	Bobbin winder spring
23	000081005	Setscrew
24	722602007	Face cover unit for Australia, Great Britain and Canada
	722602100	Face cover unit for U.S.A. and Continental Europe
25	722006005	Face cover
26	840602006	Thread cutter unit
27	366076000	Sticker
28	653006101	Cap
29	730601300	Bed cover unit for Australia, Great Britain and Continental Europe
	730601403	Bed cover unit for U.S.A.
	730601506	Bed cover unit for Canada
30	730004307	Bed cover
31	730005308	Hook cover
32	730006000	Leaf spring
33	000101404	Setscrew
34	000061205	Nut
35	000021409	Spring pin
36	000101703	Setscrew
37	731502200	Extension table unit
38	731502208	Extension table
39	731051209	Extension table cover
40	100411104	Lamp sticker for U.S.A. and Continental Europe
41	830312016	Sticker for U.S.A. and Continental Europe
	100045000	Sticker for Canada



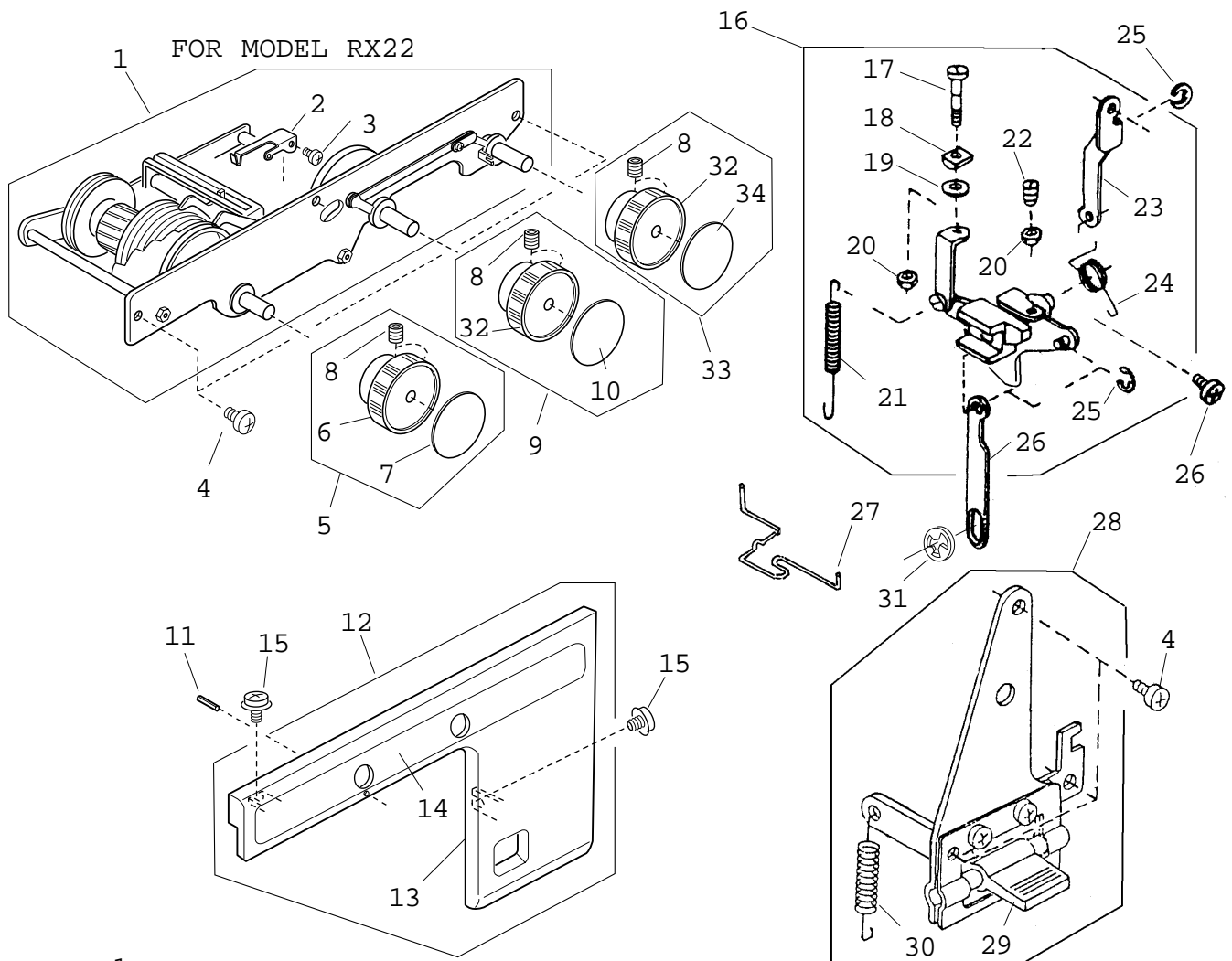
KEY NO.	PART NO.	NAME
1	740618002	Lamp socket unit for Australia, Great Britain and Continental Europe
	647510207	Lamp socket unit for U.S.A.
	647513015	Lamp socket unit for Canada
2	000101404	Setscrew
3	000009009	Lamp bulb for 220-240V area
	000009803	Lamp bulb for 110-120V area
4	722022007	Lamp set plate
5	000081005	Setscrew
6	722030008	Cord holder
7	000053008	Nylon belt
8	722604009	Front bracket unit
9	722007006	Front bracket
10	730029009	Thread tension release lever
11	000013903	Snap ring
12	731011004	Thread tension release plate (1)
13	730031004	Thread tension release plate (2)
14	000103808	Setscrew
15	647505117	Pressure regulator unit
16	731063008	Presser bar
17	102061008	Washer
18	102222009	Pressure regulator spring
19	822069009	Presser bar guide bracket
20	000111500	Hexagon socket screw
21	822071004	Presser foot lifter
22	822072005	Presser foot lifter pin
23	000072302	Washer
24	000103509	Setscrew
25	350804006	Presser bar
26	611520003	Foot holder unit
27	647112009	Thumb screw
28	722003002	Spool pin base
29	000115700	Setscrew
30	722620001	Thread tension regulator unit
31	722502006	Thread tension regulator unit
32	650044009	Check spring
33	650043008	Cushion
34	722029004	Thread guide
35	000069708	Setscrew
36	722605000	Front decorative frame unit
37	722011003	Front decorative frame
38	731062007	Face cover set plate
39	000120203	Setscrew
40	000014007	Snap ring
41	000101507	Setscrew
42	731009006	Arm thread guide
43	000100300	Setscrew
44	685049002	Cord guide



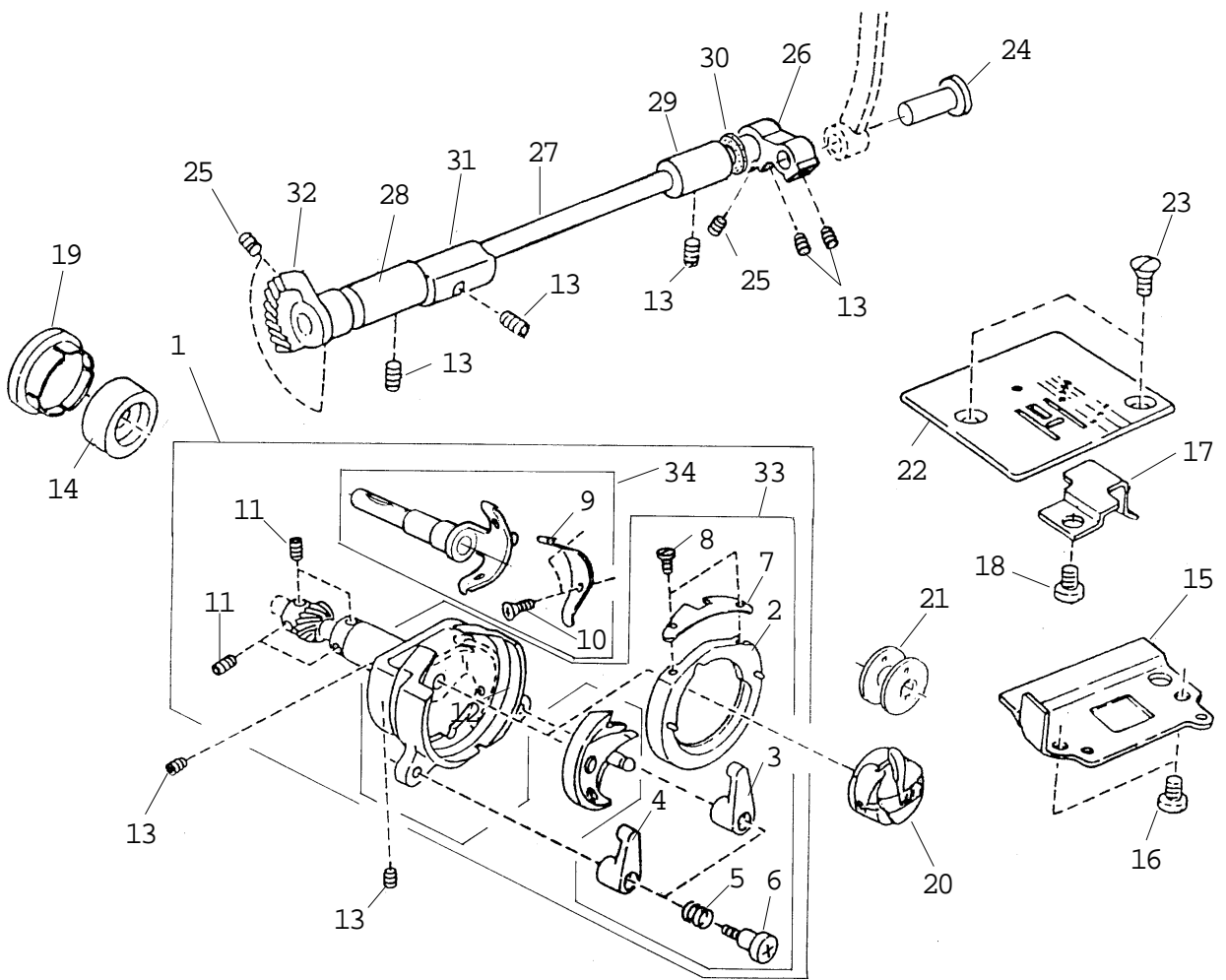
KEY NO.	PART NO.	NAME
1	730606006	Needle bar supporter unit
2	647130003	Needle bar supporter
3	730022002	Needle bar supporter pin
4	673022002	Washer
5	000070609	Washer
6	000002507	Snap ring
7	000111304	Hexagon socket screw
8	678084007	Eccentric pin
9	-----	-----
10	748021006	Washer
11	722033001	Zigzag width rod
12	730024004	Needle bar supporter spring
13	000101404	Setscrew
14	730503116	Needle bar unit
15	102408089	Needle
16	680504005	Needle bar connecting stud unit
17	625506109	Thread take-up lever unit
18	731511006	Thread take-up lever shaft
19	000002806	Snap ring
20	730509008	Needle bar crank pin unit
21	680036001	Stopper
22	000066303	Bolt
23	000070506	Washer



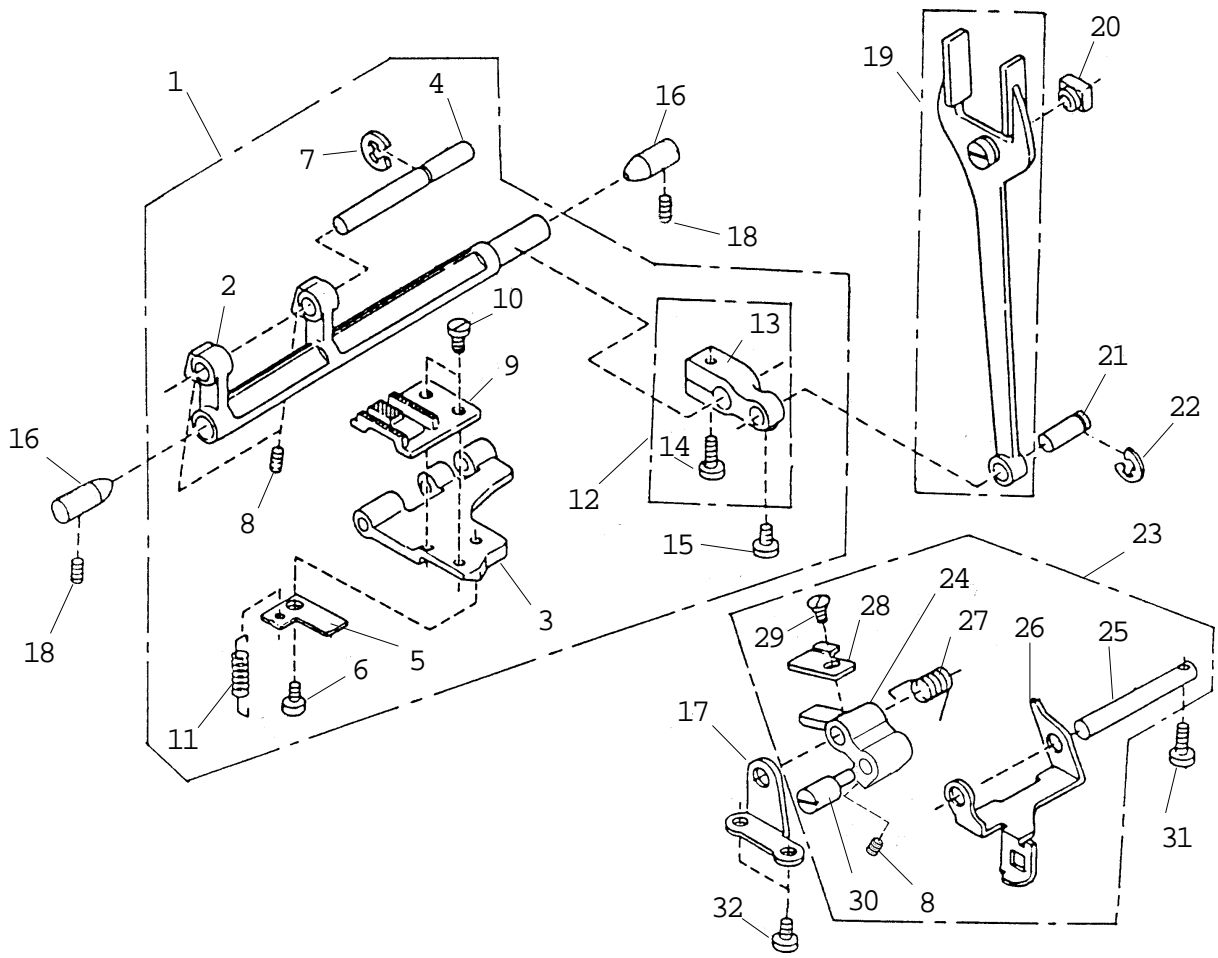
KEY NO.	PART NO.	NAME
1	722606104	Upper shaft (unit)
2	102073003	Setscrew
3	102063000	Setscrew
4	000111304	Hexagon socket screw
5	553245008	Hexagon socket screw
6	731312005	Felt
7	000111108	Hexagon socket screw
8	738634007	Crank rod unit
9	735064001	Crank rod pin
10	732003003	Upper shaft rear bushing
11	743029009	Felt
12	000030205	Snap ring
13	743019006	Belt wheel
14	000023803	Spring pin
15	744613009	Hand wheel unit
16	639097024	Hand wheel
17	744030006	Balance weight
18	000122308	Setscrew
19	639113016	Clutch spring
20	000071013	Washer
21	000081005	Setscrew
22	650070509	Clutch cap



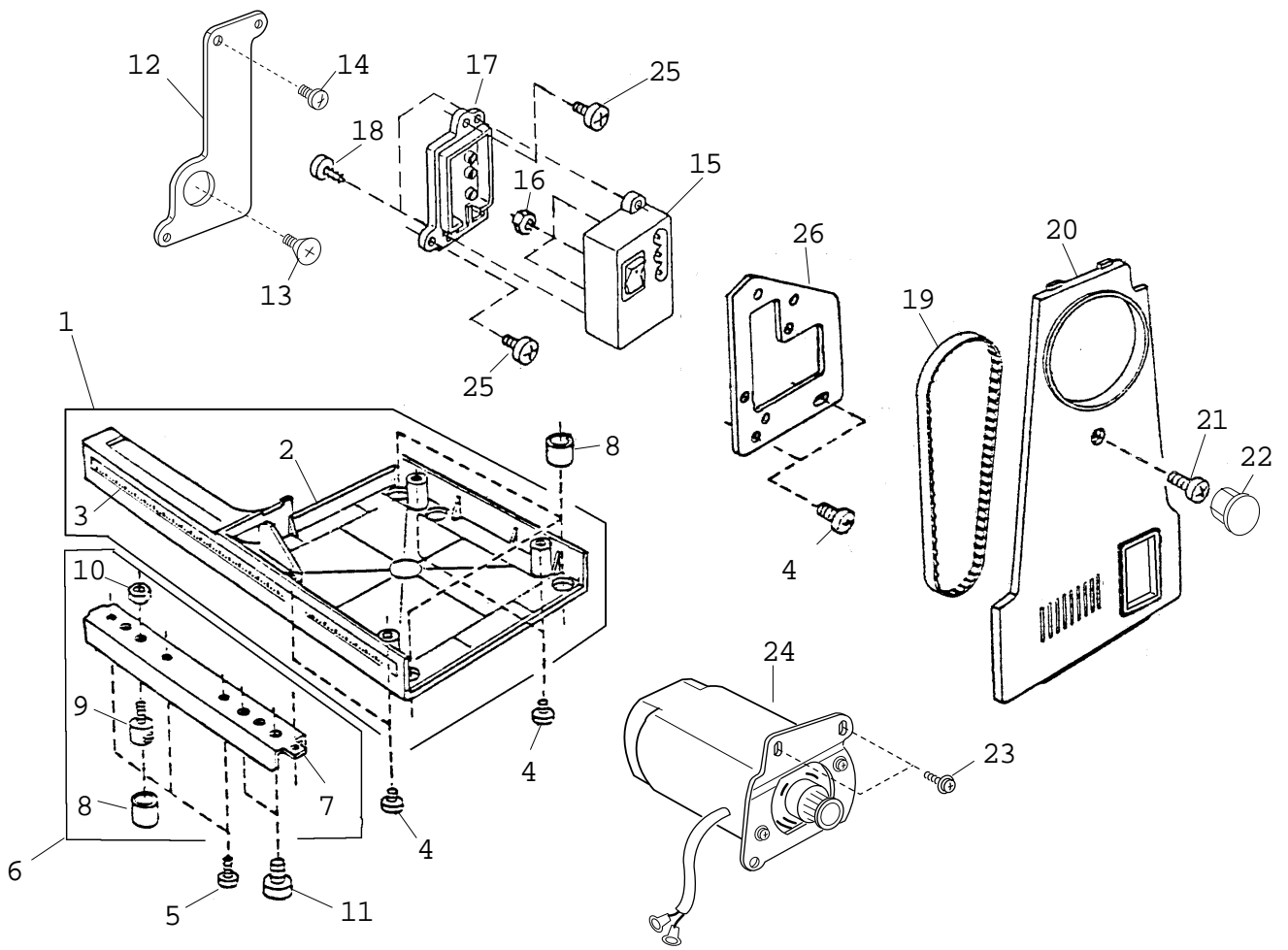
KEY NO.	PART NO.	NAME
1	722615003	Zigzag mechanism unit for RX-22
	722622003	Zigzag mechanism unit for RX-18
2	739047000	Index spring for RX-22
	737011009	Index spring for RX-18
3	000103808	Setscrew
4	000081005	Setscrew
5	722616107	Pattern selector dial unit for RX-22
	722616200	Pattern selector dial unit for RX-18
6	722019001	Dial
7	722107007	Pattern indicating plate RX-22
	722113006	Pattern indicating plate RX-18
8	000111201	Hexagon socket screw
9	722618109	Stitch length dial unit
10	722109009	Stitch length indicator plate
11	000004107	Spring pin
12	722621002	Front cover unit for RX-22
	722609107	Front cover unit for RX-18
13	722015203	Front cover
14	722111004	Decoration plate for RX-22
	722114007	Decoration plate for RX-18
15	000115205	Setscrew
16	722608003	Feed regulator unit
17	735074004	Ss adjusting screw
18	735076006	Ss rod block
19	000071013	Washer
20	000160102	Adjustablenut
21	670100006	Feed regulator spring
22	648010009	Setscrew
23	735075005	Feed regulating rod
24	735077007	Feed regulator body spring
25	000002105	Snap ring
26	000101301	Setscrew
27	730041007	Spring sustainer
28	731608609	Reverse feed lever unit
29	731030707	Reverse feed lever
30	731033009	Reverse feed lever spring
31	000013903	Snap ring
32	722108008	Dial
33	722619007	Stitch width dial unit
34	722110003	Stitch width indicator plate



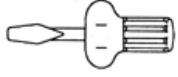
KEY NO.	PART NO.	NAME
1	640603104	Hook race unit
2	553168006	Hook race ring
3	605065006	Hook race ring clasp (A)
4	605066007	Hook race ring clasp (B)
5	532184003	Hook race ring clasp spring
6	673290003	Hinged screw
7	601801000	Hook race ring cap spring
8	102100000	Setscrew
9	670286007	Driver spring
10	102202003	Setscrew
11	553245008	Hexagon socket screw
12	532096007	Hook
13	000111304	Hexagon socket screw
14	640018003	Hook driver shaft bushing
15	730109004	Gear box rear cap
16	000101208	Setscrew
17	730107002	Gear box upper cover
18	000101404	Setscrew
19	626045407	Cap
20	647515006	Bobbin case unit
21	102261000	Bobbin
22	730027007	Needle plate
23	681009101	Setscrew
24	735064001	Crank rod pin
25	000110107	Hexagon socket screw
26	738023007	Lower shaft crank
27	647142008	Lower shaft
28	738024008	Lower shaft front bushing
29	640038009	Lower shaft rear bushing
30	722034002	Felt
31	647043008	Feed lifting cam
32	730038001	Lower shaft gear
33	640503000	Shuttle race body unit
34	640504001	Driver body unit



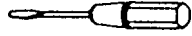
KEY NO.	PART NO.	NAME
1	730611004	Feed rock shaft unit
2	730057006	Feed rock shaft
3	647066007	Feed dog base
4	647134007	Feed dog base shaft
5	648019008	Feed dog base sliding plate
6	102021202	Setscrew
7	000002507	Snap ring
8	000111108	Hexagon socket screw
9	730184003	Feed dog
10	730183002	Setscrew
11	672042005	Feed dog base spring
12	647612015	Feed rock shaft crank unit
13	647064005	Feed rock shaft crank
14	102151006	Setscrew
15	102205006	Setscrew
16	738055008	Straight pin
17	730064006	Feed lifting arm shaft holder
18	000111304	Hexagon socket screw
19	647607006	Fork rod unit
20	102141003	Feed regulator slide block
21	673103008	Feed rock shaft connecting pin
22	000002806	Snap ring
23	730612005	Feed lifting arm unit
24	738028002	Feed lifting arm
25	730058007	Feed lifting arm spring
26	730059008	Drop feed selecting plate
27	730061003	Drop feed selecting spring
28	730062004	Sliding plate
29	365032001	Setscrew
30	730063016	Feed lifting crank roller shaft
31	000101703	Setscrew
32	000101404	Setscrew



KEY NO.	PART NO.	NAME
1	731624829	Base unit
2	730010502	Base
3	731061408	Base scale
4	000081005	Setscrew
5	000107204	Set screw
6	731668009	Arm leg unit
7	730008002	Arm leg
8	647009002	Bed rubber cushion
9	647010006	Rubber cushion adjusting screw
10	000061319	Nut
11	000066808	Setscrew
12	722026001	Machine socket set plate
13	000095002	Setscrew
14	000101404	Setscrew
15	739503102	Machine socket unit for Australia, Great Britain and Continental Europe
	739505207	Machine socket unit for U.S.A. and Canada
16	000060802	Nut
17	739037007	Machine socket cover
18	000107802	Setscrew
19	738046006	Timing belt
20	722022001	Belt cover
21	000104108	Setscrew
22	653006101	Cap
23	000115504	Setscrew
24	722611205	Motor unit for Australia and Great Britain
	722612000	Motor unit U.S.A.
	722612103	Motor unit for Canada
	722611009	Motor unit for Continental Europe
25	000103509	Setscrew
26	731052004	Machine socket set plate



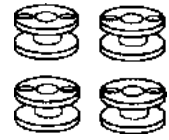
1



2



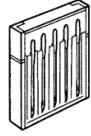
3



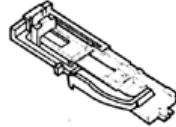
4



5



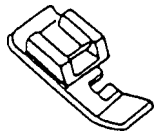
6



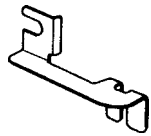
7



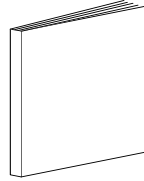
8



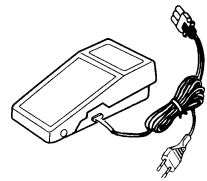
9



10



11



12

KEY NO.	PART NO.	NAME
1	820832005	Screwdriver (large)
2	647803004	Screwdriver (small)
3	741814003	Oiler with oil
4	102261000	Bobbin
5	647808009	Seam ripper
6	540401026	Set of needles
7	740801004	Buttonhole foot (R)
8	743815000	Hemmerfoot
9	611406002	Zipper foot
10	674401002	Blind hem guide
11	722870107	Instruction book (English)
12	033870104	Foot control for U.S.A.
	033870104	Foot control for Canada
	042870308	Foot control for Continental Europe
	042870102	Foot control for Australia
	C-2043	Foot control for Great Britain