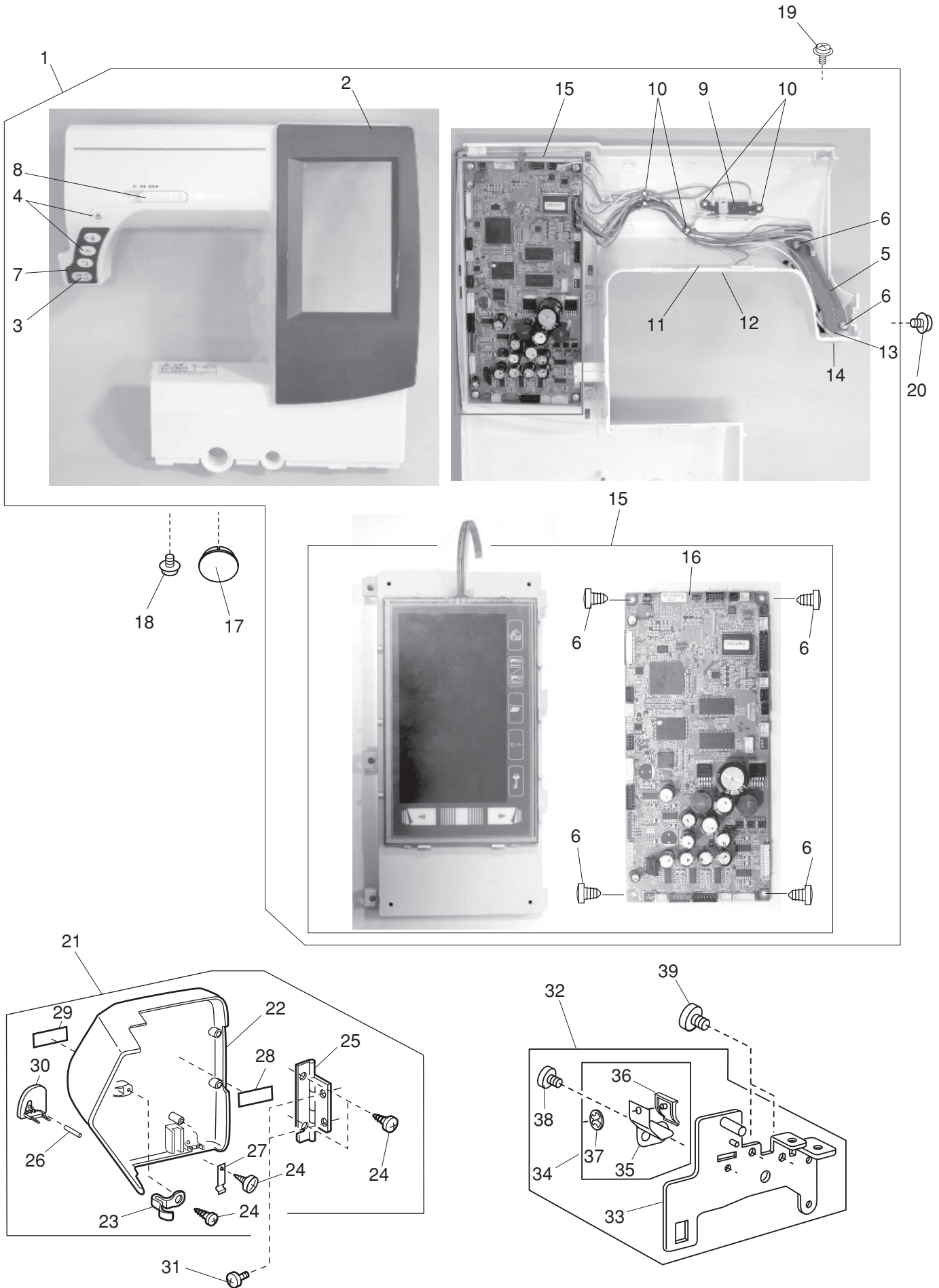


PARTS LIST

MODEL: MC9900

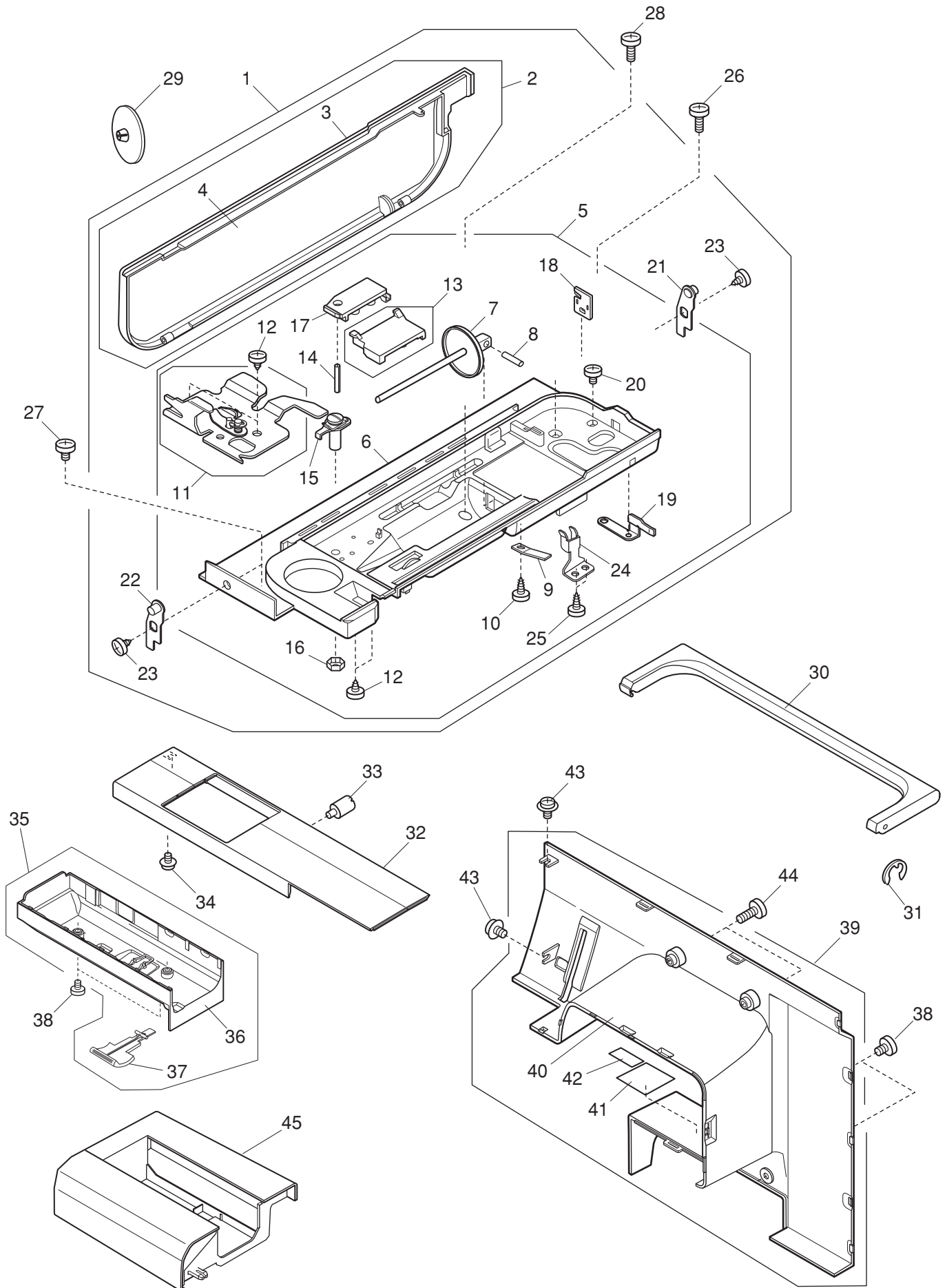
PARTS LIST



PARTS LIST

KEY NO.	PARTS NO.	DESCRIPTION
1	861634002	Front cover (unit)
2	861069114	Changeable frame
3	858102109	Start/stop button
4	858103111	Function button
5	861510001	Printed circuit board F (unit)
6	000120203	Setscrew 3x8 (B)
7	858104008	Button cover
8	858105009	Slide volume
9	653507082	Slide volume (unit)
10	000014306	Snap ring CS-3
11	858502103	Printed circuit board L1 (unit)
12	858106000	LED cover 2
13	858511703	Printed circuit board L2 (unit)
14	860167006	Lamp cover 2
15	861635003	Printed circuit board A case
16	861506004	Printed circuit board A (unit)
17	859216007	Cap
18	000115205	Setscrew TP 4x6
19	000114710	Setscrew TP 3x6
20	000115401	Setscrew TP 3x4
21	861611003	Face plate (unit) (JAI)
	861611106	Face plate (unit) (JCA)
	861611209	Face plate (unit) (JA, JUK, JEBV, EXACT, SHP, JLA, ELFORT, DEMIRBILEK)
22	861020102	Face plate
23	850013005	Face plate spring
24	000161206	Setscrew 3x10 (B)
25	851503103	Face plate hinge (unit)
26	000020109	Pin 2x8
27	859233000	Spring
28	830312016	Caution sticker (JAI)
	100045000	Caution sticker (JCA)
29	100517008	Caution sticker (JCA)
30	861639007	Thread cutter (unit)
31	000081119	Setscrew 4x6
32	861612004	Carrying handle supporter (unit)
33	861024003	Carrying handle supporter
34	861613005	Spring (unit)
35	861073007	Spring
36	861074008	Spring cap
37	000017701	Snap ring CS-3.5
38	000101116	Setscrew 3x4
39	000081005	Setscrew 4x8

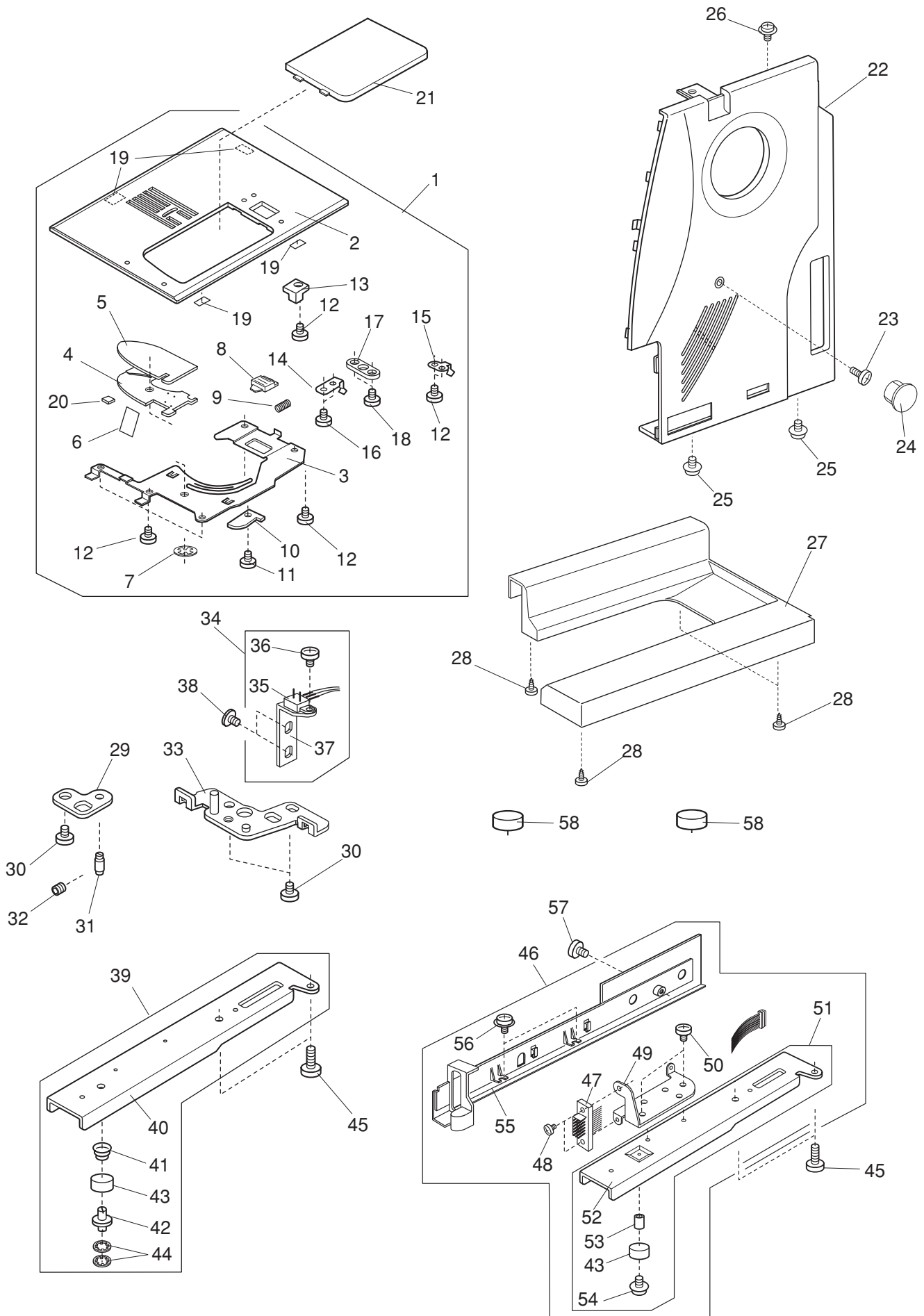
PARTS LIST



PARTS LIST

KEY NO.	PARTS NO.	DESCRIPTION
1	861607006	Top cover (unit)
2	861608007	Top cover (unit)
3	861016002	Top cover
4	861017003	Quick reference chart
5	861609008	Top cover body (unit)
6	861018004	Top cover body
7	859052003	Spool pin
8	822017002	Spool pin shaft
9	822018003	Spool pin spring
10	000107204	Setscrew 3x12 (B)
11	859541004	Thread guide (unit)
12	000107307	Setscrew 3x8 (B)
13	859648002	Thread guide cover (unit)
14	000020202	Spring pin
15	830503005	Bobbin winder thread guide (unit)
16	000160102	Adjustable lock nut 4
17	830011001	Bobbin winder thread guide cover
18	830505007	Thread cutter (unit)
19	861099009	Bobbin winder stopper
20	000103819	Setscrew 3x5
21	858023002	Top cover hinge (right)
22	858023105	Top cover hinge (left)
23	000161206	Setscrew 3x10 (B)
24	859137003	Top cover hinge (right)
25	000120203	Setscrew 3x8 (B)
26	000104119	Setscrew 4x20
27	000066705	Setscrew 3x8
28	000170507	Setscrew 4x12
29	822020503	Spool holder
30	861019005	Carrying handle
31	000001609	Snap ring E-5
32	861007000	Free arm cover
33	858165007	Pin
34	000114710	Setscrew TP 3x6
35	861604003	Bed cover (unit)
36	861008001	Bed cover
37	859040008	Lever
38	000081005	Setscrew 4x8
39	861605004	Rear cover (unit)
40	861009105	Rear cover
41	861139002	Sticker
42	859263009	Sticker
43	000115205	Setscrew TP 4x6
44	000101806	Setscrew 4x16
45	861501009	Extension table (unit)

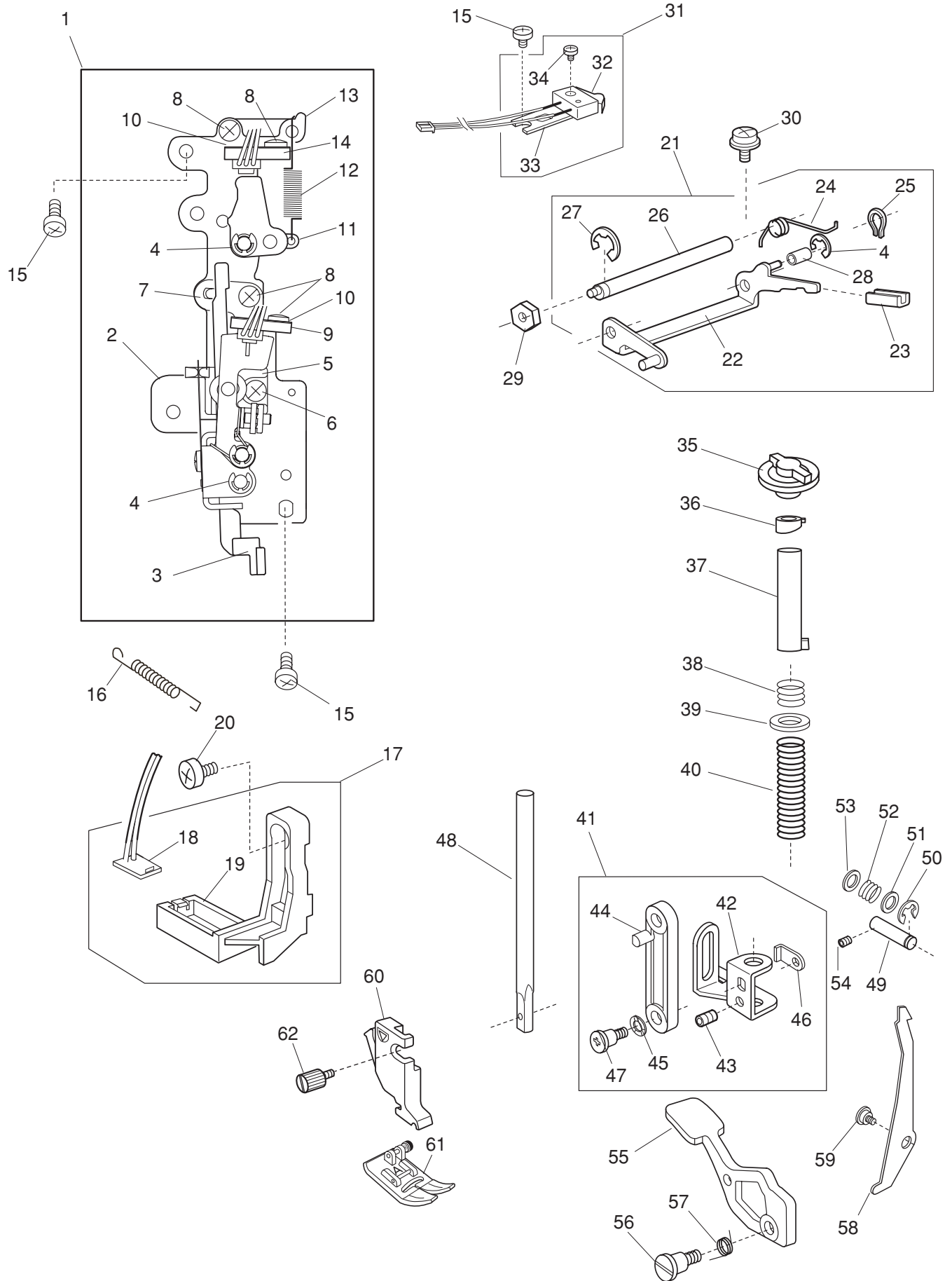
PARTS LIST



PARTS LIST

KEY NO.	PARTS NO.	DESCRIPTION
1	861606005	Needle plate (unit)
2	861013009	Needle plate
3	861014000	Hook cover plate supporter
4	809134005	Hook cover plate supporter base
5	809135006	Guide holder
6	809137008	Cutter
7	000014306	Snap ring CS-3
8	825016000	Hook cover plate release button
9	825017001	Spring
10	809044203	Rotation stopper
11	000097613	Setscrew 2x4
12	820374004	Setscrew 2x2.3
13	859046004	Needle plate sensor block
14	859047016	Spring
15	859245005	Spring 2
16	000169709	Setscrew 2x2.3
17	859271000	Guide plate
18	000102807	Setscrew 2x4
19	859272104	Rubber sheet
20	861152001	Felt
21	809136100	Hook cover plate
22	861084104	Belt cover
23	000101703	Setscrew 4x12
24	745033002	Cap
25	000115205	Setscrew TP 4x6
26	000114710	Setscrew TP 3x6
27	861005101	Base cover
28	000161206	Setscrew 3x10 (B)
29	860003025	Needle plate nut set plate
30	810220106	Setscrew
31	859270009	Needle plate positioning pin
32	000111201	Hexagonal socket screw 4x4
33	859247018	Needle plate adjusting plate
34	859671107	Needle plate sensor (unit)
35	859524104	Switch (unit)
36	755096004	Setscrew
37	859246006	Switch set plate
38	000193001	Setscrew TP 4x6
39	861601000	Arm sole (front cover side) (unit)
40	861002005	Arm sole
41	858162004	Spring
42	820350004	Adjusting screw
43	605074008	Rubber foot
44	000014409	Snap ring CS-8
45	000100702	Setscrew 6x10
46	861602001	Connector (unit)
47	859519106	Connector (unit)
48	000080406	Setscrew 3x10
49	859140010	Connector set plate
50	000081005	Setscrew 4x8
51	861603002	Arm sole (unit)
52	861003006	Arm sole
53	000141107	Bushing
54	000119106	Setscrew TP 4x10
55	861006009	Cover
56	000115618	Setscrew TP 4x8
57	810220003	Setscrew
58	647009002	Rubber foot

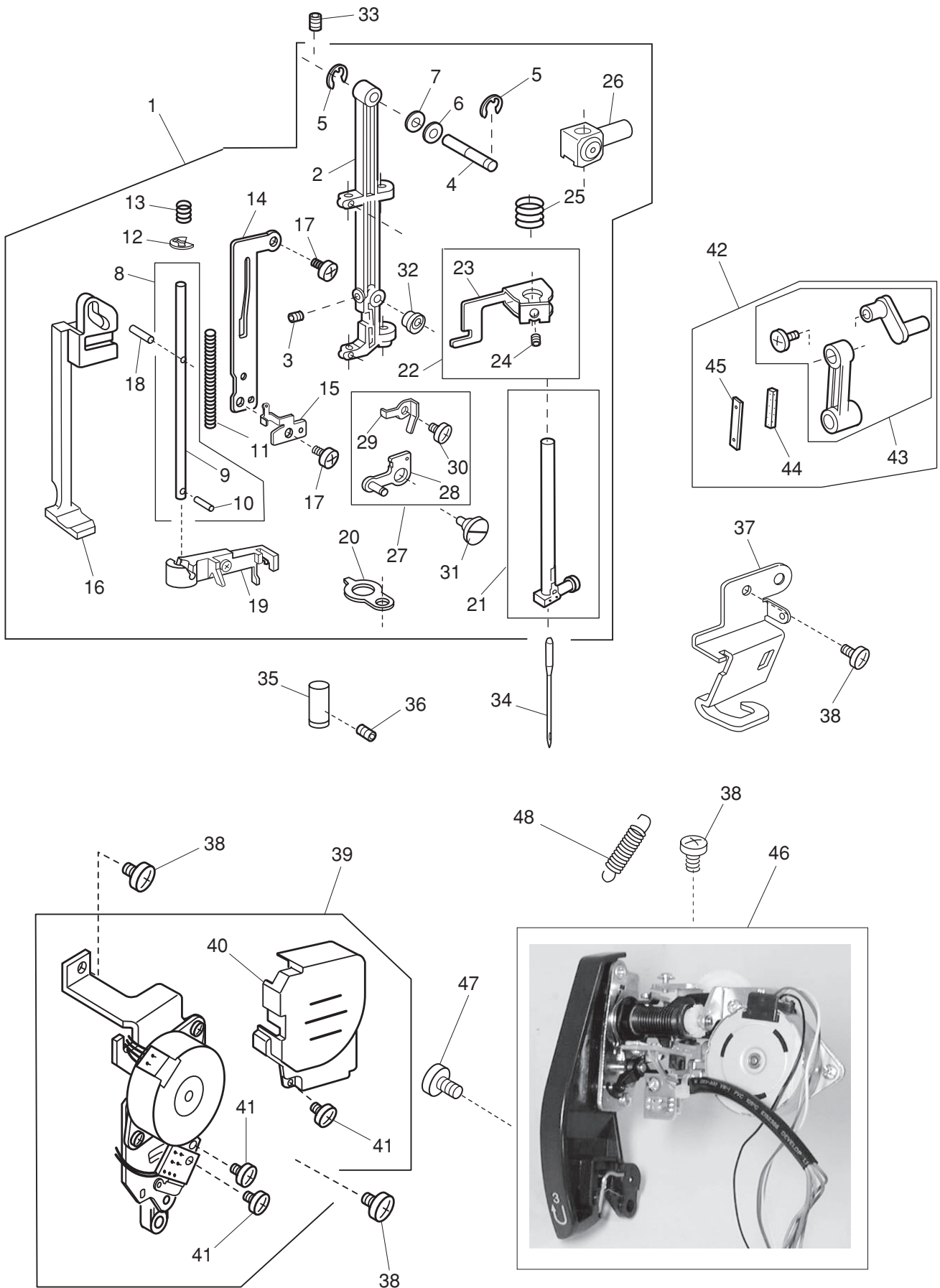
PARTS LIST



PARTS LIST

KEY NO.	PARTS NO.	DESCRIPTION
1	861615007	Front bracket (unit)
2	861030002	Front bracket
3	843625107	Buttonhole lever (unit)
4	000002105	Snap ring E-3
5	830057021	Buttonhole lever guide
6	000103808	Setscrew 3x5
7	861031003	Sensor base plate
8	000101105	Setscrew 3x4
9	852502312	Printed circuit board G1 (unit)
10	853028002	Insulation sheet
11	860263003	Foot P shield plate
12	830277007	Spring
13	861032004	Sensor set plate
14	852502415	Printed circuit board G1 (unit)
15	000081005	Setscrew 4x8
16	844038018	Needle bar supporter spring
17	861665404	LED cover
18	859525404	Printed circuit board L2 (unit)
19	859232010	LED cover
20	000078319	Setscrew 3x6
21	861616008	Presser foot actuator arm (unit)
22	861035007	Presser foot actuator arm
23	854145009	Slider
24	830063008	Spring
25	000014605	Snap ring 6
26	830060005	Presser foot actuator arm
27	000001609	Snap ring E-5
28	861034006	Bushing
29	000061205	Nut 4
30	000115629	Setscrew TP 4x8
31	861617009	Presser foot lifter switch (unit)
32	652520099	Micro switch (unit)
33	861029008	Micro switch set plate
34	000102900	Setscrew 2x8
35	858136102	Presser foot pressure adjusting dial
36	858155004	Presser foot pressure adjusting cam
37	858028007	Presser bar bushing
38	861047002	Presser bar spring
39	102061008	Washer
40	861026005	Presser bar spring
41	861614006	Presser bar supporter (unit)
42	861027006	Presser bar supporter
43	000111500	Hexagonal socket screw 4x8
44	861028007	Presser bar link
45	000116608	Washer 5
46	830033009	Nut
47	830034000	Setscrew
48	827021200	Presser bar
49	822072108	Presser bar lifter pin
50	000002507	Snap ring E-4
51	000070609	Washer 6
52	102222009	Spring
53	000073107	Washer 6
54	000111201	Hexagonal socket screw 4x4
55	861025004	Presser foot lifter lever
56	859028000	Setscrew
57	859029001	Spring
58	861067008	Tension release lever
59	859273002	Setscrew
60	859801005	Presser foot holder (unit)
61	859802006	Zigzag foot (unit)
62	858274000	Thumbscrew

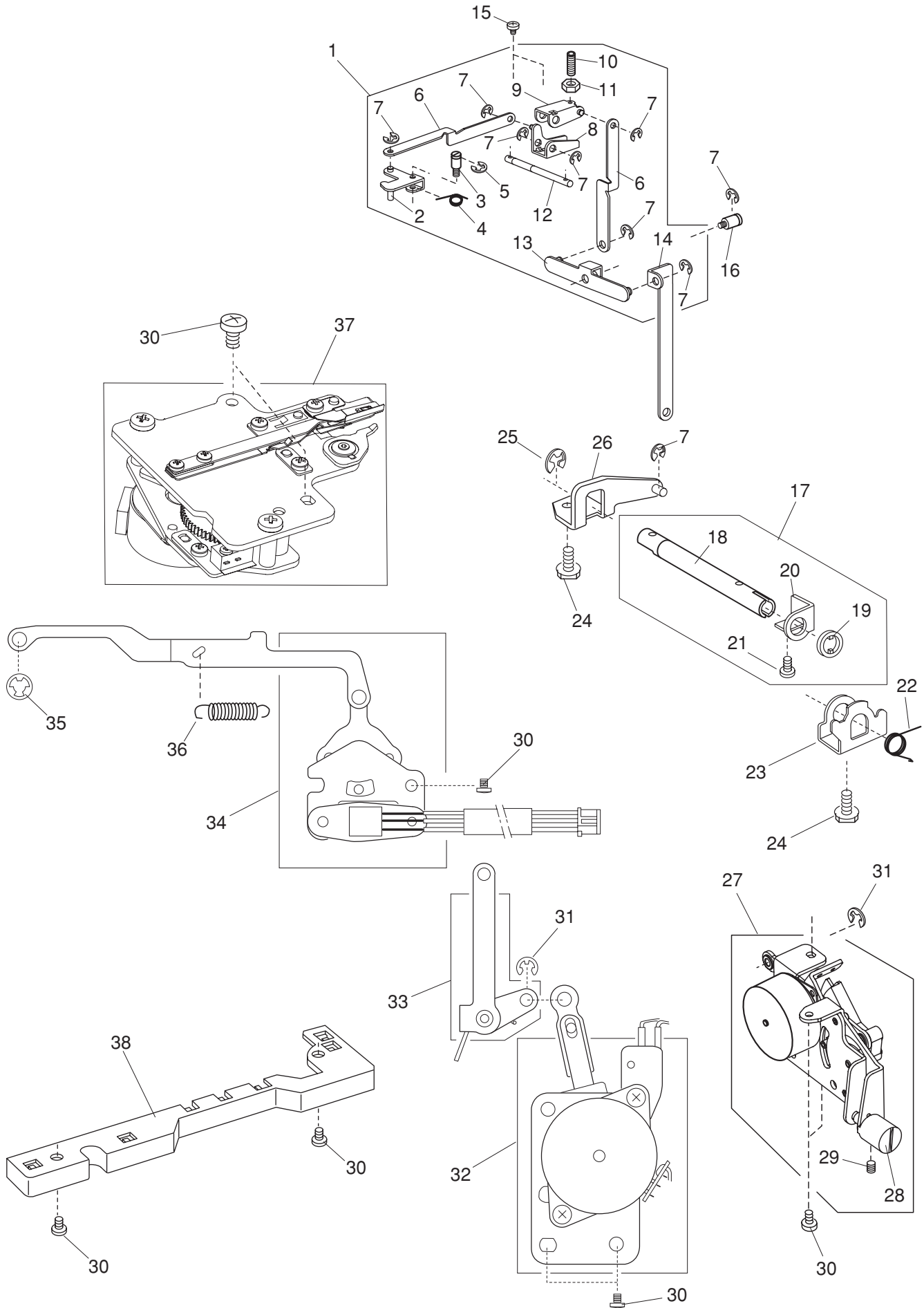
PARTS LIST



PARTS LIST

KEY NO.	PARTS NO.	DESCRIPTION
1	861664001	Needle bar supporter (unit)
2	846047005	Needle bar supporter
3	000111902	Hexagonal socket screw 3x4
4	735144006	Needle bar supporter pin
5	000002507	Snap ring E-4
6	000070609	Washer 6
7	673022002	Washer
8	846612100	Threader shaft (unit)
9	846048028	Threader shaft
10	000003508	Knock pin
11	842090001	Needle threader spring
12	000002105	Snap ring E-3
13	842096007	Threader lever spring
14	842091002	Threader guide plate
15	844036038	Threader lever plate
16	859111001	Threader lever
17	000078319	Setscrew 3x6
18	000125105	Pin
19	846588014	Threader guard plate (unit)
20	829027006	Supporter guide plate
21	859647001	Needle bar (unit)
22	861610002	Threader position setting plate (unit)
23	861052000	Threader position setting plate
24	000111902	Hexagonal socket screw 3x4
25	858172007	Needle bar supporter spring
26	846515009	Needle bar supporter (unit)
27	861630008	Zigzag width rod (unit)
28	808015006	Zigzag width rod
29	827088009	Zigzag width rod spring
30	820373003	Setscrew
31	678084007	Eccentric pin
32	808074003	Washer
33	000111201	Hexagonal socket screw 4x4
34	647814031	Needle HA1-14
35	827083004	Supporter guide pin
36	000216805	Hexagonal socket screw 3x3
37	861004007	Arm thread guide
38	000081005	Setscrew 4x8
39	861629004	Zigzag width motor (unit)
40	861055003	Motor cover
41	000101105	Setscrew 3x4
42	846615103	Needle bar crank (unit)
43	843543007	Needle bar crank pin (unit)
44	650040005	Felt
45	650041006	Spring
46	861618000	Thread tension (unit)
47	000103509	Setscrew 4x10
48	850212017	Spring

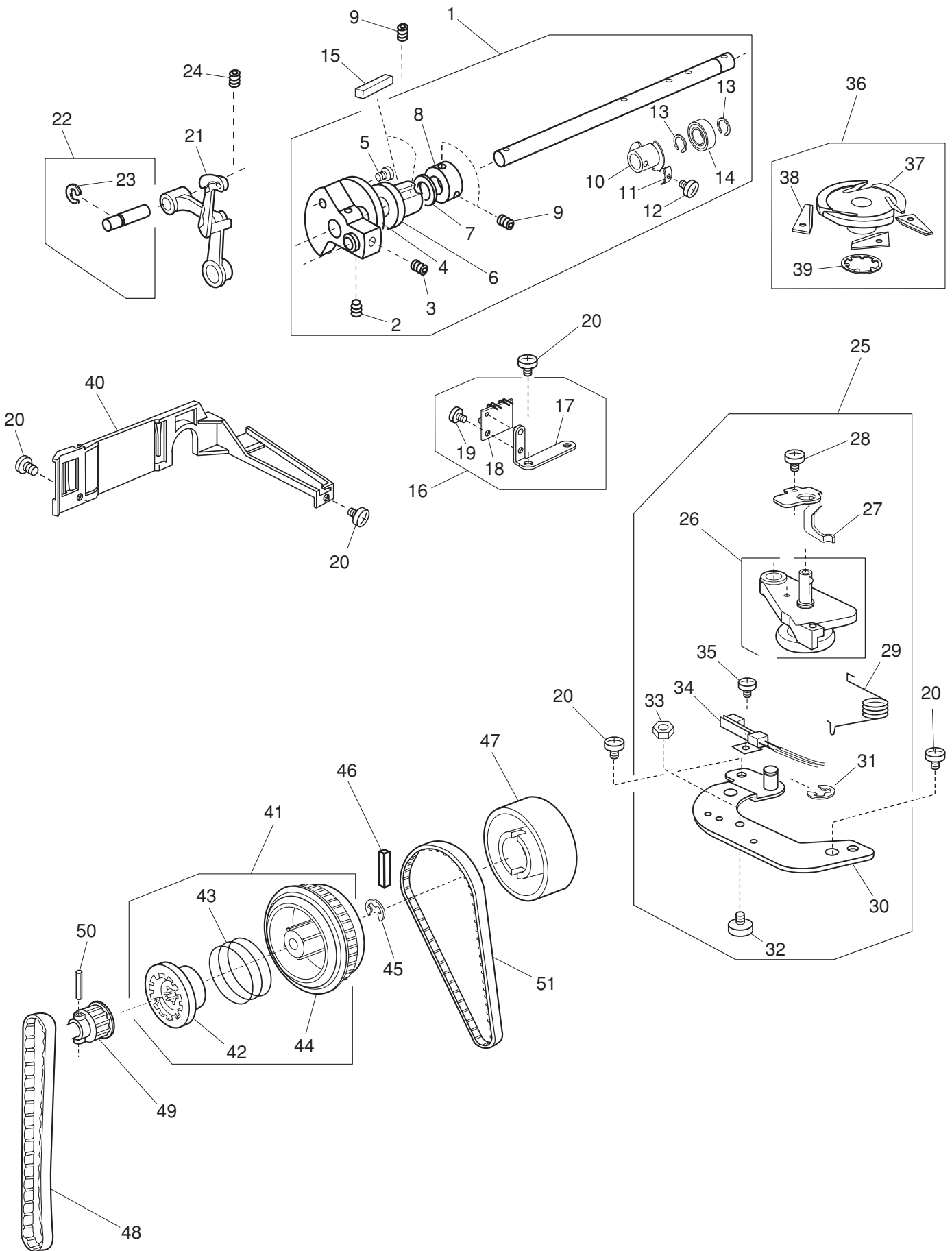
PARTS LIST



PARTS LIST

KEY NO.	PARTS NO.	DESCRIPTION
1	861633001	Knee lifter link (unit)
2	861058006	Knee lifter link (1)
3	861059007	Knee lifter link (1) shaft
4	861065006	Knee lifter link (1) spring
5	000001609	Snap ring E-5
6	861060001	Knee lifter rod (1)
7	000002507	Snap ring E-4
8	860053008	Knee lifter link (2)
9	861061002	Knee lifter link (3)
10	000196406	Hexagonal socket screw 4x25
11	000061205	Nut 4
12	861062003	Knee lifter link (2) shaft
13	861063004	Knee lifter middle link
14	861064005	Knee lifter link (4)
15	000103303	Setscrew 3.5x12
16	686063005	Setscrew
17	861632000	Knee lifter shaft (unit)
18	861057005	Knee lifter shaft
19	846297002	Stopper
20	861072006	Stopper plate
21	000101105	Setscrew 3x4
22	858091001	Knee lifter stopper spring
23	861154003	Knee lifter stopper
24	000138503	Hexagonal socket screw 5x12
25	000002208	Snap ring E-9
26	861066007	Knee lifter shaft arm
27	861628003	Feed motor (unit)
28	859215006	Feed balancing dial
29	000110200	Hexagonal socket screw 4x4 WP
30	000081005	Setscrew 4x8
31	000002105	Snap ring E-3
32	861622007	Bobbin thread sensor motor (unit)
33	861623008	Arm (unit)
34	859606101	Sensor set plate (unit)
35	000013707	Snap ring CS-2.4
36	861151000	Spring
37	861631009	Automatic thread cutter (unit)
38	861077001	Cord guide

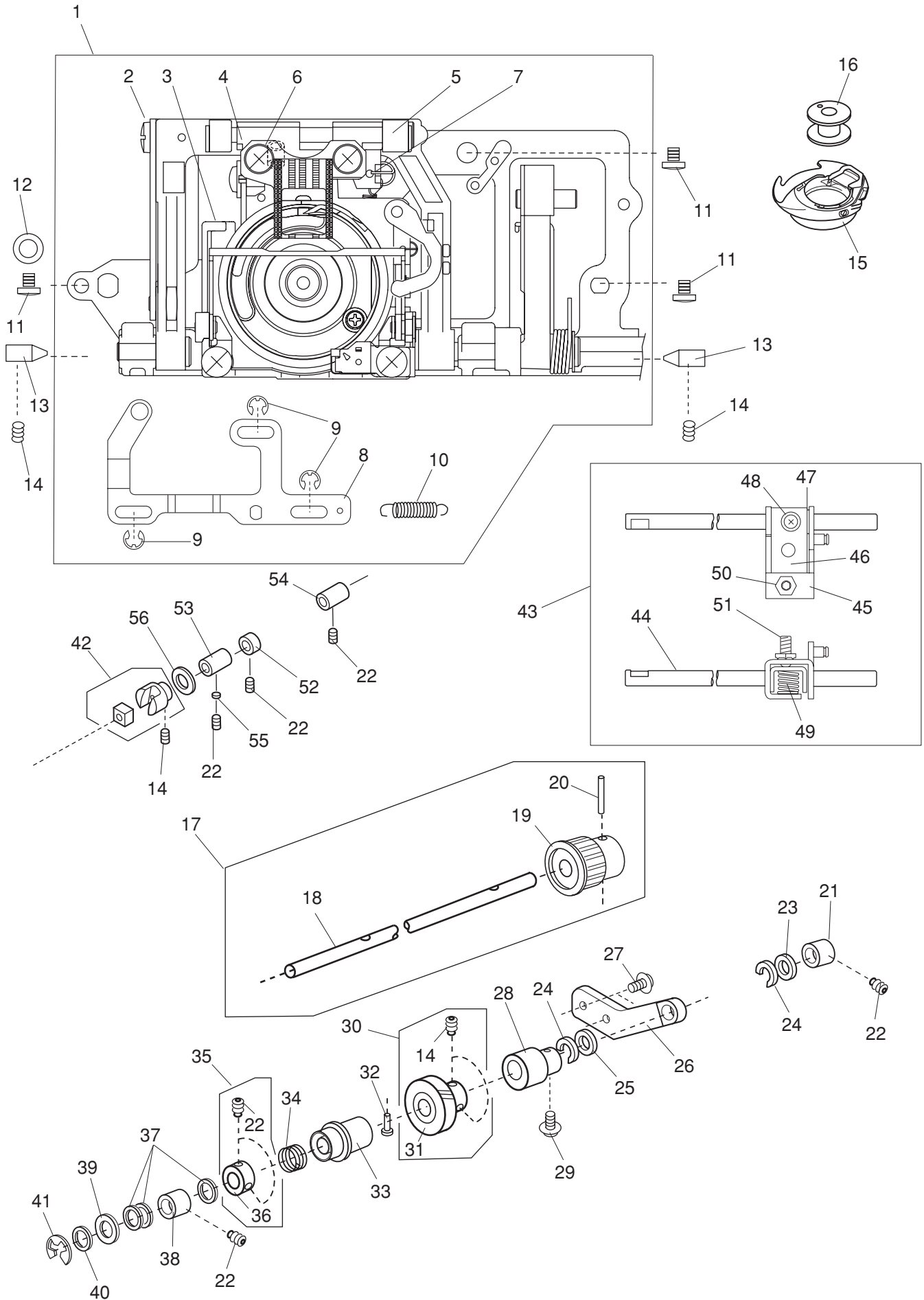
PARTS LIST



PARTS LIST

KEY NO.	PARTS NO.	DESCRIPTION
1	861619001	Upper shaft (unit)
2	000111706	Hexagonal socket screw 5x8
3	000110901	Hexagonal socket screw 5x4
4	832068009	Upper feed lifting cam
5	000078319	Setscrew 3x6
6	670079201	Upper shaft front bushing
7	000040105	Washer
8	767077006	Ring
9	000111304	Hexagonal socket screw 5x5
10	859055006	Upper shaft shield plate
11	859033008	Washer
12	000080406	Setscrew 3x10
13	000032702	Snap ring crescent
14	767178008	Ball bearing
15	731312005	Felt
16	861620005	Upper shaft sensor (unit)
17	861039001	Sensor set plate
18	807505108	Printed circuit board P (unit)
19	000101105	Setscrew 3x4
20	000081005	Setscrew 4x8
21	820511108	Thread take-up lever (unit)
22	650626001	Thread take-up lever pin (unit)
23	000002806	Snap ring E-6
24	000111201	Hexagonal socket screw 4x4
25	861636004	Bobbin winder (unit)
26	861503001	Bobbin winder (unit)
27	861096006	Clutch lever
28	000120203	Setscrew 3x8 (B)
29	861091001	Bobbin winder arm spring
30	861092002	Bobbin winder set plate
31	000001609	Snap ring E-5
32	861153002	Bobbin winder stopper screw
33	000063104	Nut 3-2-5.5
34	856512100	Leaf switch (unit)
35	000081706	Setscrew 2.5x5
36	809619009	Thread cutter holder (unit)
37	809144008	Thread cutter holder
38	822032003	Bobbin thread cutter
39	000014409	Snap ring CS-8
40	861078002	Cord guide (rear)
41	858647008	Belt wheel (unit)
42	858053001	Clutch ring
43	502065004	Clutch spring
44	858054002	Belt wheel
45	000030009	Snap ring E-10
46	000024206	Pin 3x30
47	858055003	Handwheel
48	858098001	Timing belt
49	858052000	Upper shaft gear
50	000004303	Pin 3x20
51	858118005	Timing belt

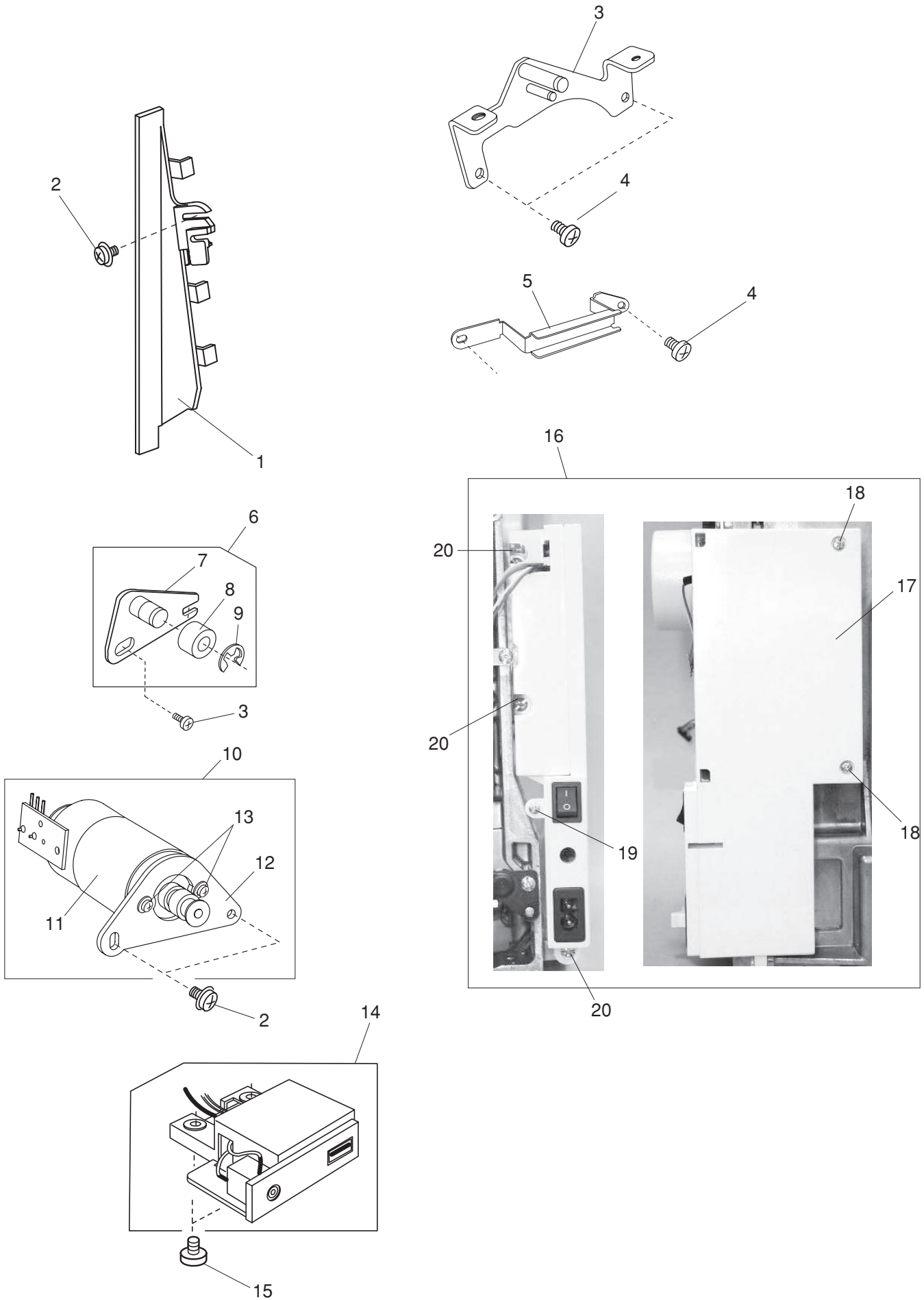
PARTS LIST



PARTS LIST

KEY NO.	PARTS NO.	DESCRIPTION
1	861625000	Feed rock shaft (whole unit)
2	846629100	Feed rock shaft (unit)
3	861626001	Hook race (unit)
4	859639000	Feed dog set base (unit)
5	825099007	Feed dog base shaft
6	000111407	Hexagonal socket screw 4x6
7	825103005	Feed base spring
8	858138001	Drop plate
9	000002105	Snap ring E-3
10	661018008	Spring
11	000081005	Setscrew 4x8
12	000070506	Washer 4
13	738055008	Straight pin
14	000111304	Hexagonal socket screw 5x5
15	846652504	Bobbin holder (unit)
16	102261103	Bobbin
17	861621006	Lower shaft (unit)
18	861040005	Lower shaft
19	650073007	Lower gear
20	000004200	Pin 3x10
21	650079003	Lower shaft bushing (rear)
22	000111201	Hexagonal socket screw 4x4
23	822070003	Felt (1)
24	822112008	Felt holder (1)
25	861051009	Felt
26	858058006	Lower shaft supporter
27	000115700	Setscrew TP 4x10
28	846379009	Feed cam
29	000149600	Setscrew 3x14
30	850687006	Lower shaft gear (unit)
31	650955002	Lower shaft gear
32	820161006	Feed lifting pin
33	846103000	Feed lifting cam
34	825093001	Feed lifting cam spring
35	820672005	Lower shaft ring (unit)
36	820166001	Lower shaft ring
37	000038502	Washer
38	858060001	Lower shaft bushing (front)
39	735143005	Felt
40	858177002	Lower shaft washer
41	000002806	Snap ring E-6
42	625508008	Feed regulator (unit)
43	861627002	Feed shaft (unit)
44	861048003	Feed shaft
45	858129009	Feed arm (1)
46	858130003	Feed arm (2)
47	810207004	Washer
48	000201302	Setscrew TP 3x10
49	589040002	Spring
50	000160102	Adjustable lock nut 4
51	000177401	Hexagonal socket screw 4x12
52	820387000	Ring
53	625144002	Feed shaft bushing (front)
54	650092002	Feed shaft bushing (rear)
55	650175000	Washer
56	823110009	Felt

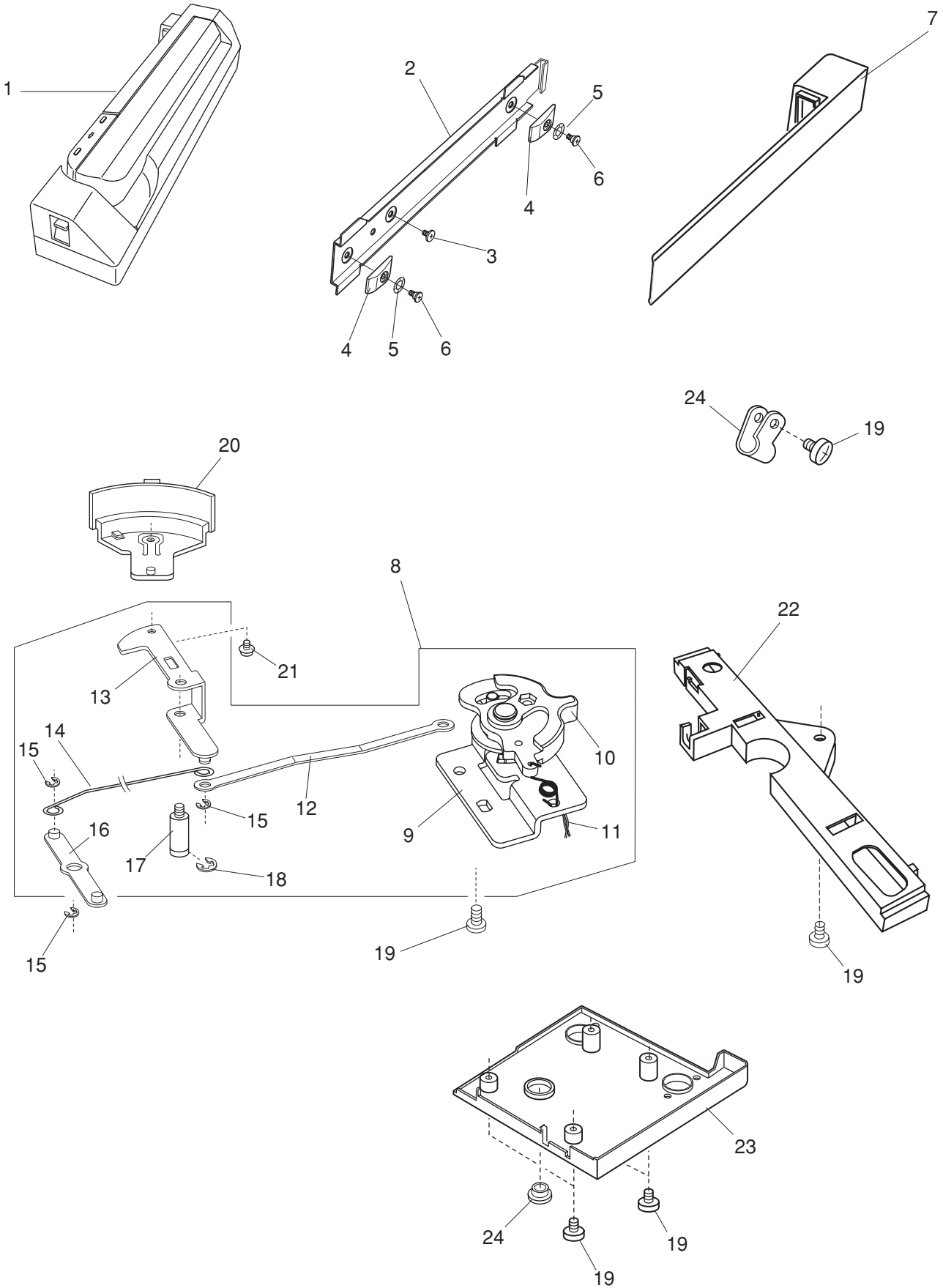
PARTS LIST



PARTS LIST

KEY NO.	PARTS NO.	DESCRIPTION
1	858145012	Cord guide plate
2	000115607	Set screw TP 4X8
3	861075009	Carrying handle supporter (rear)
4	000081005	Setscrew 4x8
5	861089006	Cord guide
6	860608004	Idler (unit)
7	860021007	Idler base
8	625217100	Idler
9	000002806	Snap ring E-6
10	858639100	DC motor (unit)
11	843518807	DC motor (unit)
12	858117004	DC motor bracket
13	000115009	Set screw TP 3X8
14	861638006	Printed circuit board B case
15	000101703	Setscrew 4x12
16	861640001	Switching power supply (unit) (JAI, JCA)
	861640104	Switching power supply (unit) (JA, JUK, JEBV, EXACT, SHP, JLA, ELFORT, DEMIRBILEK)
17	858120000	Switching power supply plate
18	000119704	Setscrew 3x14 (B)
19	000161206	Setscrew 3x10 (B)
20	000103509	Setscrew 4x10

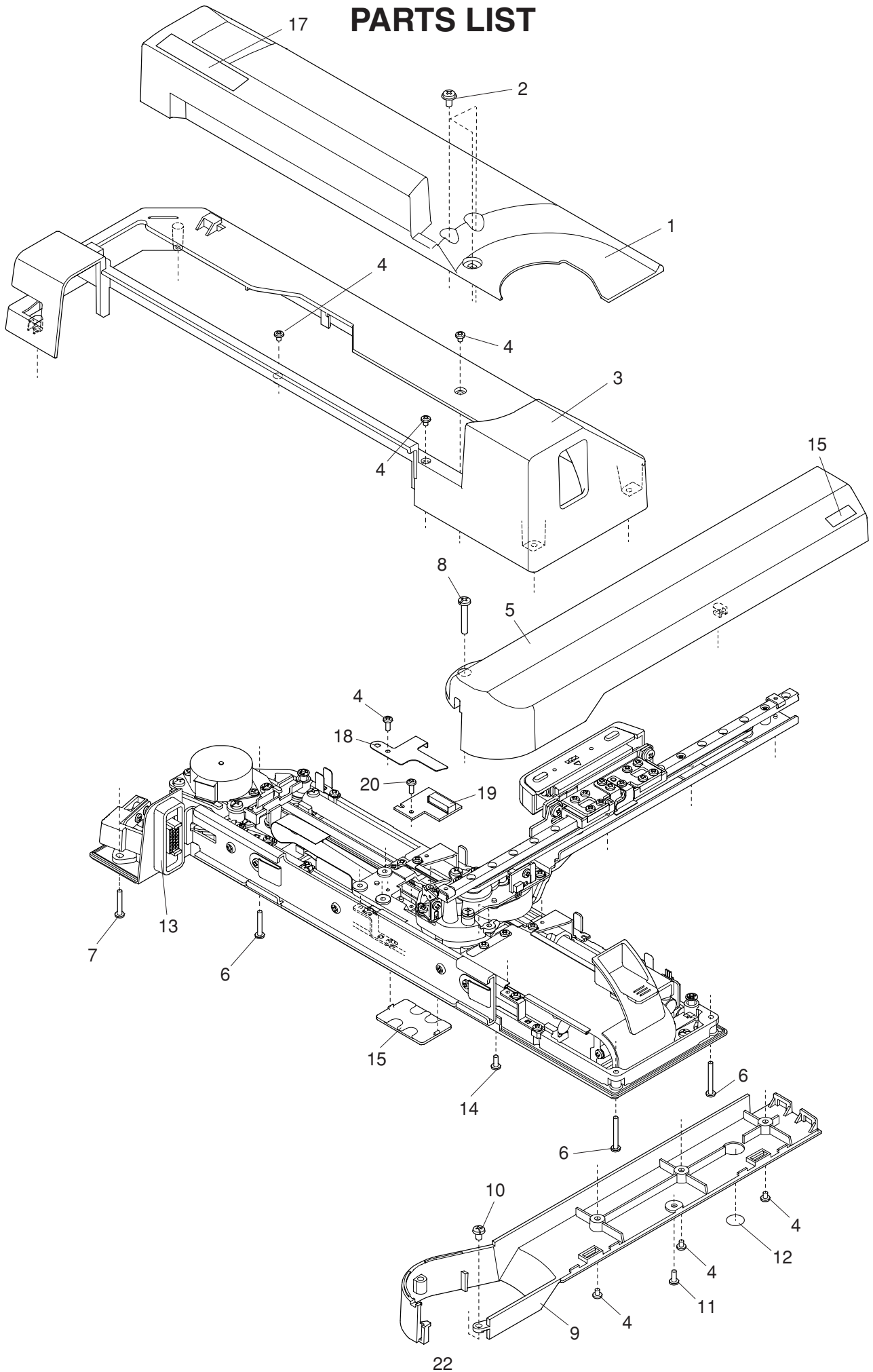
PARTS LIST



PARTS LIST

KEY NO.	PARTS NO.	DESCRIPTION
1	861651005	Embroidery unit (unit) (Refer to Pages 22-25 for details)
2	861087004	Rail
3	810220106	Setscrew
4	859139005	Cushion
5	000116000	Washer 7
6	859273002	Setscrew
7	861088005	Cover
8	861637005	Feed dog drop lever (unit)
9	858141007	Feed dog drop lever base
10	858143009	Feed dog drop lever
11	846513904	Micro switch (unit)
12	861079003	Rod 1
13	861080007	Automatic feed dog drop arm
14	861082009	Rod 2
15	000002105	Snap ring E-3
16	858139002	Drop connecting block
17	861083000	Automatic feed dog drop shaft
18	000001609	Snap ring E-5
19	000081005	Setscrew 4x8
20	861081008	Automatic feed dog drop lever
21	000114710	Setscrew TP 3x6
22	858159019	Cord guide 2
23	861086003	Base plate
24	626045500	Cap
25	000188601	Nylon clip

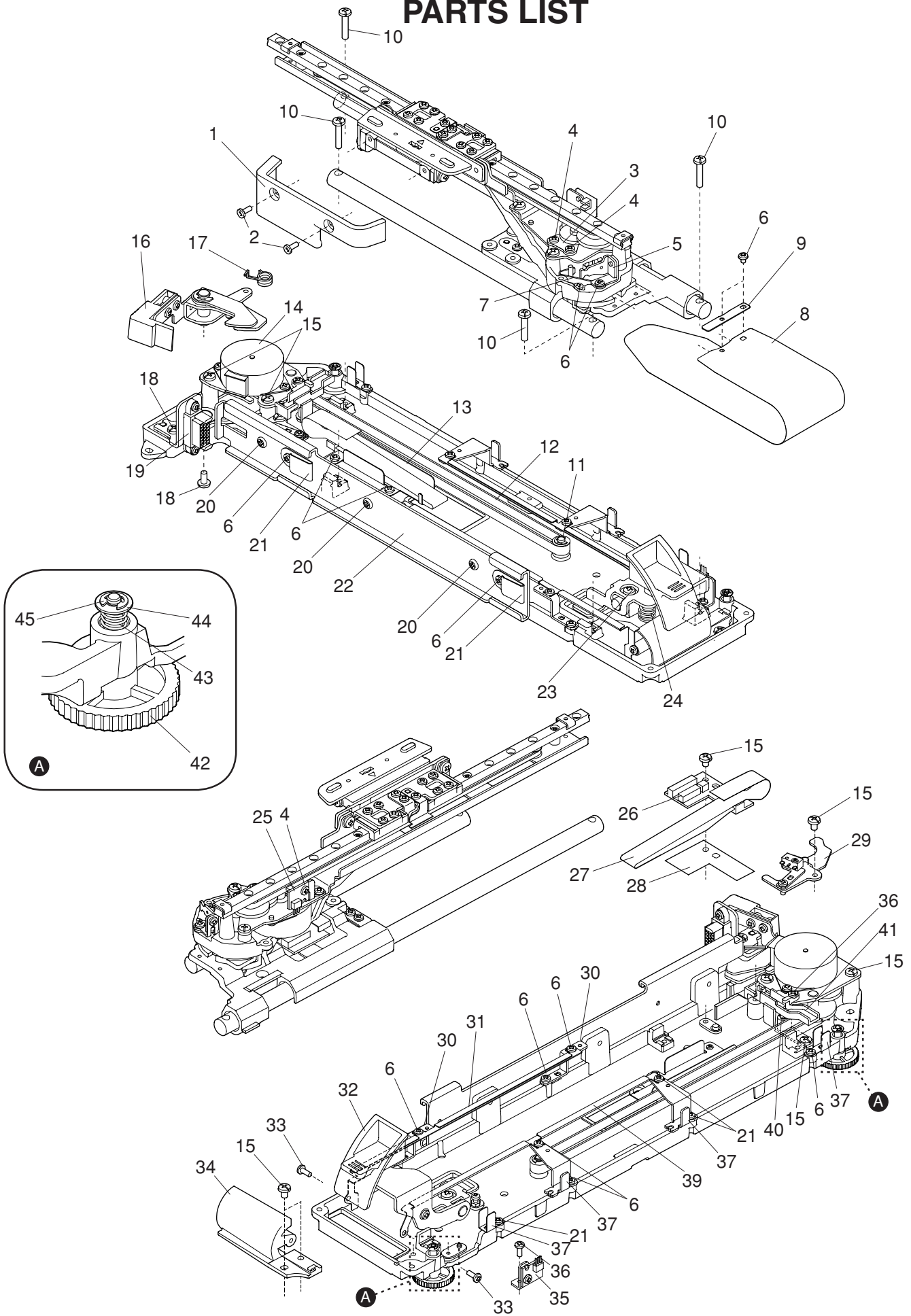
PARTS LIST



PARTS LIST

KEY NO.	PARTS NO.	DESCRIPTION
1	861663000	X-carriage cover (unit)
2	000115607	Setscrew 4x8
3	861662009	Embroidery unit cover (upper) (unit)
4	000101105	Setscrew 3x4
5	861129102	Y-carriage cover (upper)
6	000171405	Setscrew 3x25
7	000119704	Setscrew 3x14
8	000080901	Setscrew 4x25
9	861114001	Y-carriage cover (lower)
10	000101404	Setscrew 4x6
11	000120203	Setscrew 3x8
12	797141201	Cap
13	861131004	Embroidery unit cover (bottom)
14	000066705	Setscrew 3x8
15	850156207	Cover plate
16	861135008	Carriage sticker
17	859276016	Y-carriage sticker
18	861133006	X-carriage code guide
19	861521005	Printed circuit board S2
20	000103808	Setscrew 3x5

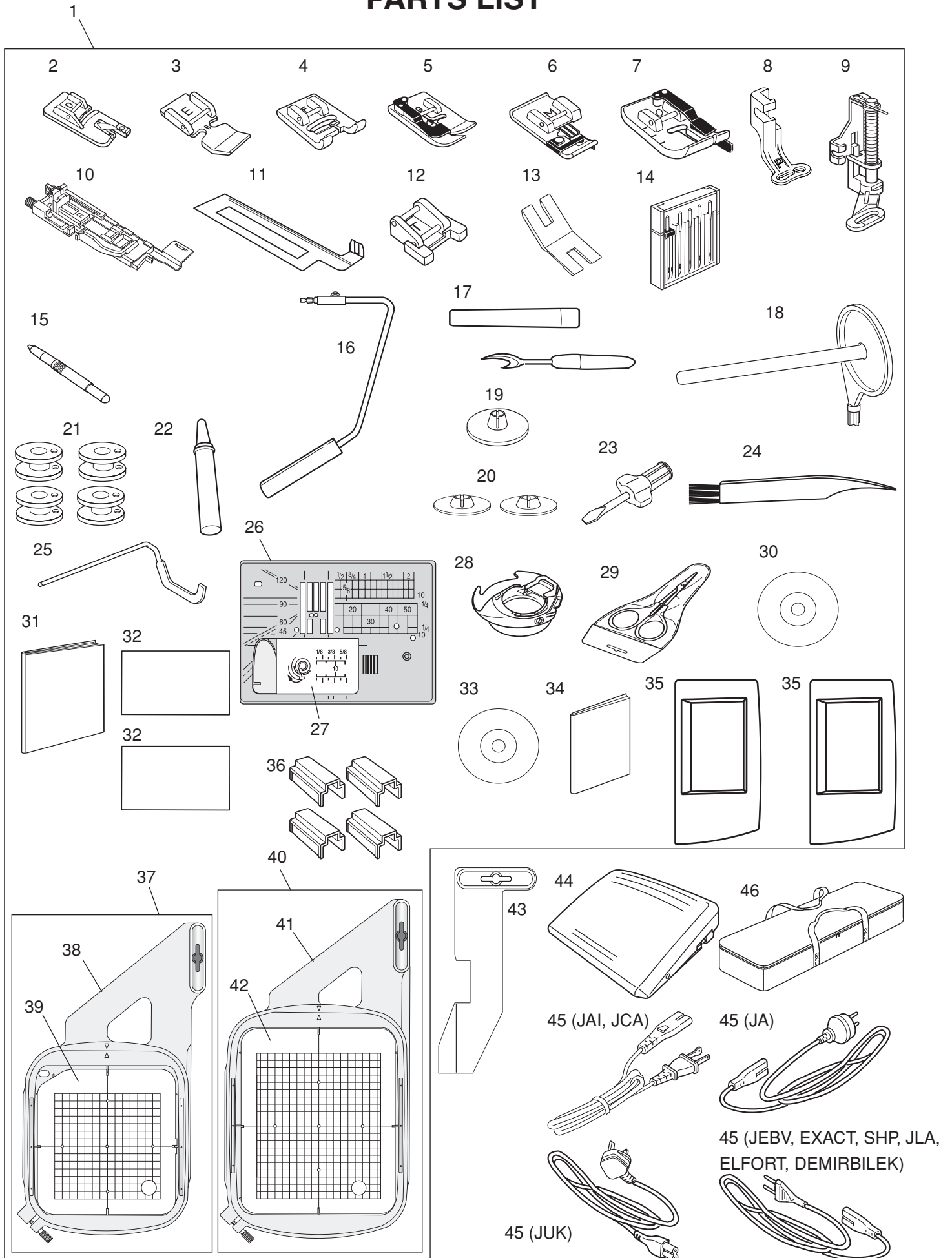
PARTS LIST



PARTS LIST

KEY NO.	PARTS NO.	DESCRIPTION
1	861130003	Carriage side cover
2	000066727	Setscrew 3x8
3	861137000	Y-gear set plate
4	000097406	Setscrew 3x3
5	859670117	Swing switch (unit)
6	000101105	Setscrew 3x4
7	859208006	Swing spring
8	861126006	Film
9	859201009	Film holder
10	000104108	Setscrew 4x20
11	859667007	X-pulley shaft (unit)
12	861100107	Syncro belt 548
13	861105009	Flexible cable guide plate
14	861652006	X-Motor (unit)
15	000101404	Setscrew 4x6
16	861660007	Hook (unit)
17	859186007	Fixed spring
18	000081005	Setscrew 4x8
19	861658002	Connector (unit)
20	810220106	Setscrew
21	859182014	Rail spring
22	861121001	Unit Rail
23	000114802	Setscrew TP 4x12
24	858097007	Spring
25	860515209	Y-sensor
26	861520004	Printed crcuit board S1
27	859523103	Flexible cable
28	861104008	Insulation paper
29	861661008	Switch (unit)
30	859202000	Film guide support plate 1
31	861124004	Film guide 2
32	861659003	Release lever (unit)
33	000120203	Setscrew 3x8 (B)
34	859194019	Film guide 1
35	861653007	X-sensor
36	000103808	Setscrew 3x5
37	859239006	Cord guide plate 2
38	859203001	Film guide support plate 2
39	861125005	Film guide 3
40	859669009	Idler base (unit)
41	861132005	X-Motor code guide
42	859209007	Adjusting foot
43	856801408	Slide spring
44	000070104	Washer 3
45	000001207	Snap ring E 2.5

PARTS LIST



PARTS LIST

KEY NO.	PARTS NO.	DESCRIPTION
1	861870002	Accessories set
2	859804008	Rolled hem foot D
3	859805009	Zipper foot E
4	859806011	Satin stitch foot F
5	859807001	Blind hemming foot G
6	859810007	Overedge foot M
7	859814001	1/4" Seam foot O
8	861802003	Embroidery foot P
9	859839002	Darning foot PD-H
10	859809069	Automatic buttonhole foot R
11	859832016	Stabilizer plate
12	859811008	Button sewing foot T
13	832820007	Button shank plate
14	859856005	Needle case (unit)
15	860194002	Touch panel stylus
16	846417011	Knee lifter
17	560406104	Seam ripper (buttonhole opener)
18	809041004	Extra spool pin
19	822020503	Spool holders (large)
20	822019509	Spool holders (small)
21	102261103	Bobbins
22	859858007	Bobbin holder cleaner
23	820832005	Screwdriver
24	802424004	Lint brush
25	755802001	Quilting guide bar
26	861801002	Straight stitch needle plate
27	809136100	Hook cover plate
28	846652607	Bobbin holder (unit)
29	803813203	Scissors
30	861812006	Instructional DVD
31	861800001	Instruction book (English)
	861800012	Instruction book (French)
	861800023	Instruction book (German)
	861800034	Instruction book (Dutch)
	861800045	Instruction book (Norwegian)
	861800056	Instruction book (Swedish)
	861800067	Instruction book (Danish)
	861800078	Instruction book (Spanish)
	861800090	Instruction book (Russian)
	861800104	Instruction book (Turkish)
32	861809000	Key icon reference chart (English)
	861809011	Key icon reference chart (French)
	861809022	Key icon reference chart (German)
	861809033	Key icon reference chart (Dutch)
	861809044	Key icon reference chart (Norwegian)
	861809055	Key icon reference chart (Swedish)
	861809066	Key icon reference chart (Danish)
	861809077	Key icon reference chart (Spanish)
	861809099	Key icon reference chart (Russian)
	861809103	Key icon reference chart (Turkish)
	861810004	Key icon reference chart (Embroidery) (English)
	861810015	Key icon reference chart (Embroidery) (French)
	861810026	Key icon reference chart (Embroidery) (German)
	861810037	Key icon reference chart (Embroidery) (Dutch)
	861810048	Key icon reference chart (Embroidery) (Norwegian)
	861810059	Key icon reference chart (Embroidery) (Swedish)
	861810060	Key icon reference chart (Embroidery) (Danish)
	861810071	Key icon reference chart (Embroidery) (Spanish)
	861810093	Key icon reference chart (Embroidery) (Russian)
	861810107	Key icon reference chart (Embroidery) (Turkish)
33	861814101	Template CD (unit)
34	858801002	Caution card
35	861069103	Changeable frame (Pearl white)
	861069125	Changeable frame (Metallic green)
36	861805305	Magnetic clamps
37	861804407	Embroidery hoop SQ14a (whole unit)
38	861804005	Embroidery hoop SQ14a (unit)
39	861804304	Template SQ14a
40	861803509	Embroidery hoop RE20a (whole unit)
41	861803004	Embroidery hoop RE20a (unit)
42	861803303	Template Re20a
43	859825016	Cloth guide
44	043170108	Foot control
45	856519004	Power cable (JAI, JCA)
	830314018	Power cable (JA)
	830377008	Power cable (JUK)
	830335004	Power cable (JEBV, EXACT, SHP, JLA, ELFORT, DEMIRBILEK)
46	861807008	Embroidery unit case