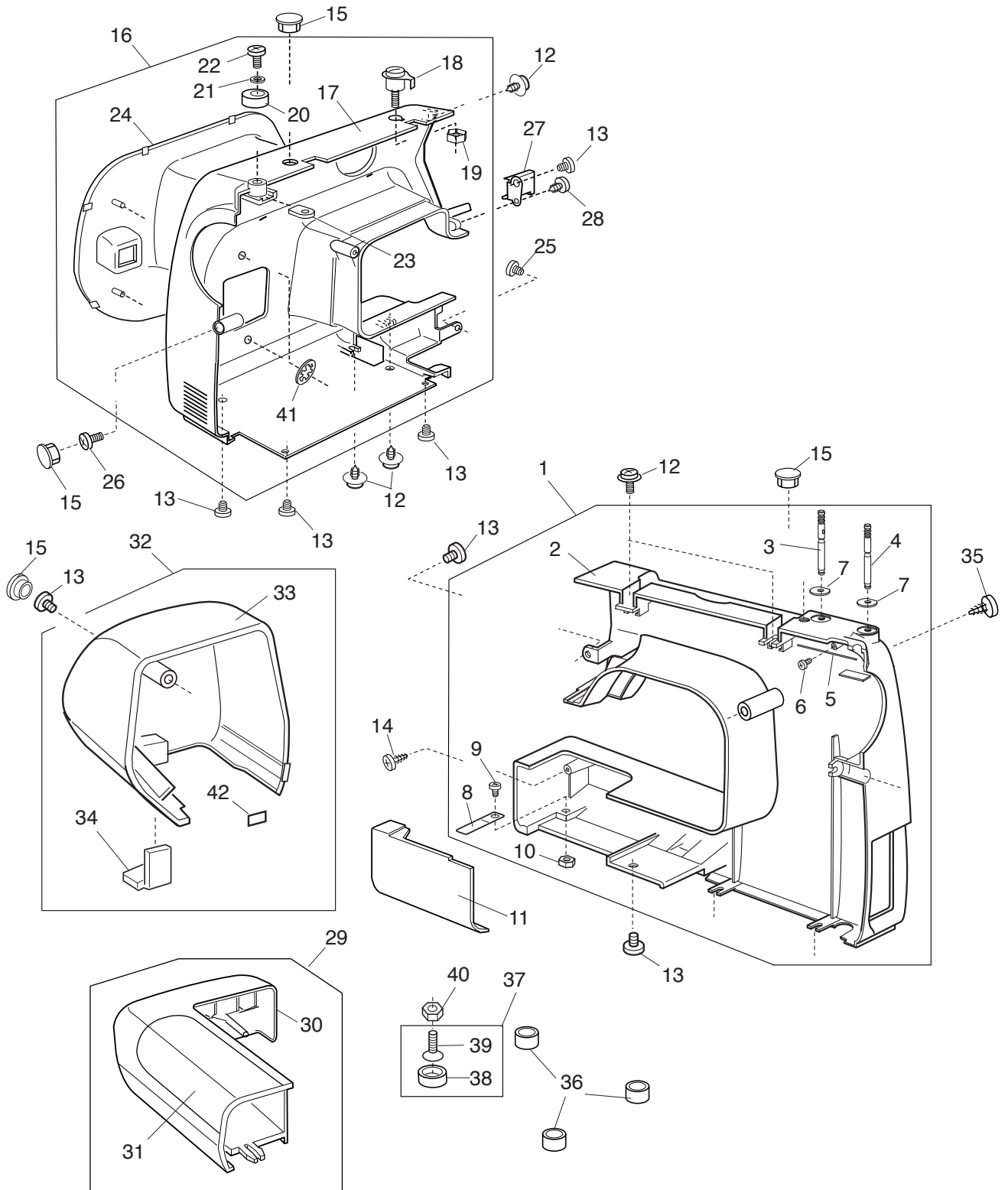


PARTS LIST

Milady 41

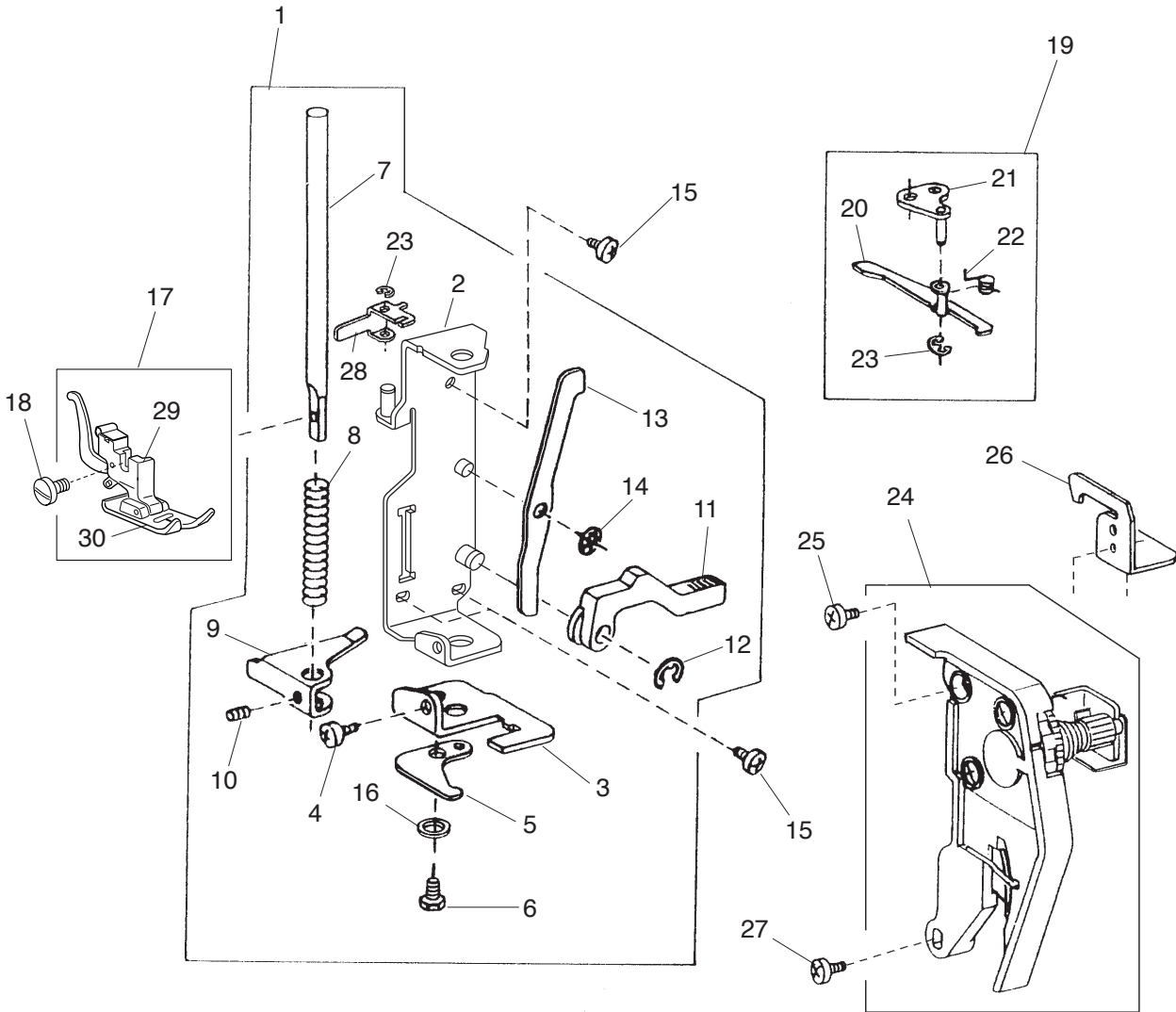
PARTS LIST



PARTS LIST

KEY NO.	PARTS NO.	DESCRIPTION
1	302601002	Rear cover (unit)
2	302001109	Rear cover
3	652302004	Spool pin
4	652205006	Spool pin
5	736007009	Spool pin spring
6	000076317	Tapping screw 3x10
7	735013005	Spool pin spring base
8	730006000	Spring
9	000101404	Setscrew 4x6
10	000061205	Nut
11	739004005	Bed cover plate
12	000115205	TP screw 4x6
13	000081005	Setscrew 4x8
14	000121905	Tapping screw 4x12B
15	653006101	Cap
16	302606443	Front cover (unit)
17	302010020	Front cover
18	730501011	Thread guide plate (unit)
19	000160102	Adjustable lock nut 4
20	735016307	Bobbin winder stopper
21	000071013	Washer
22	000103107	Setscrew 4x14
23	843014004	Nut
24	302011548	Panel
25	000115607	TP screw 4x8
26	000101703	Setscrew 4x12
27	740022003	Thread guide plate
28	000107307	Tapping screw 3x8B
29	302502002	Extension table (unit)
30	302002007	Extension table
31	302003008	Extension table cover
32	302603004	Face cover (unit)
33	302004102	Face cover
34	840602006	Thread cutter (unit)
35	000119601	Tapping screw 4x25B
36	739064003	Bed rubber base
37	735616200	Rubber base (unit)
38	735002001	Rubber base
39	000097901	Flat screw 5x18
40	000061319	Nut
41	000014007	Snap ring CS-4
42	100411104	Lamp sticker

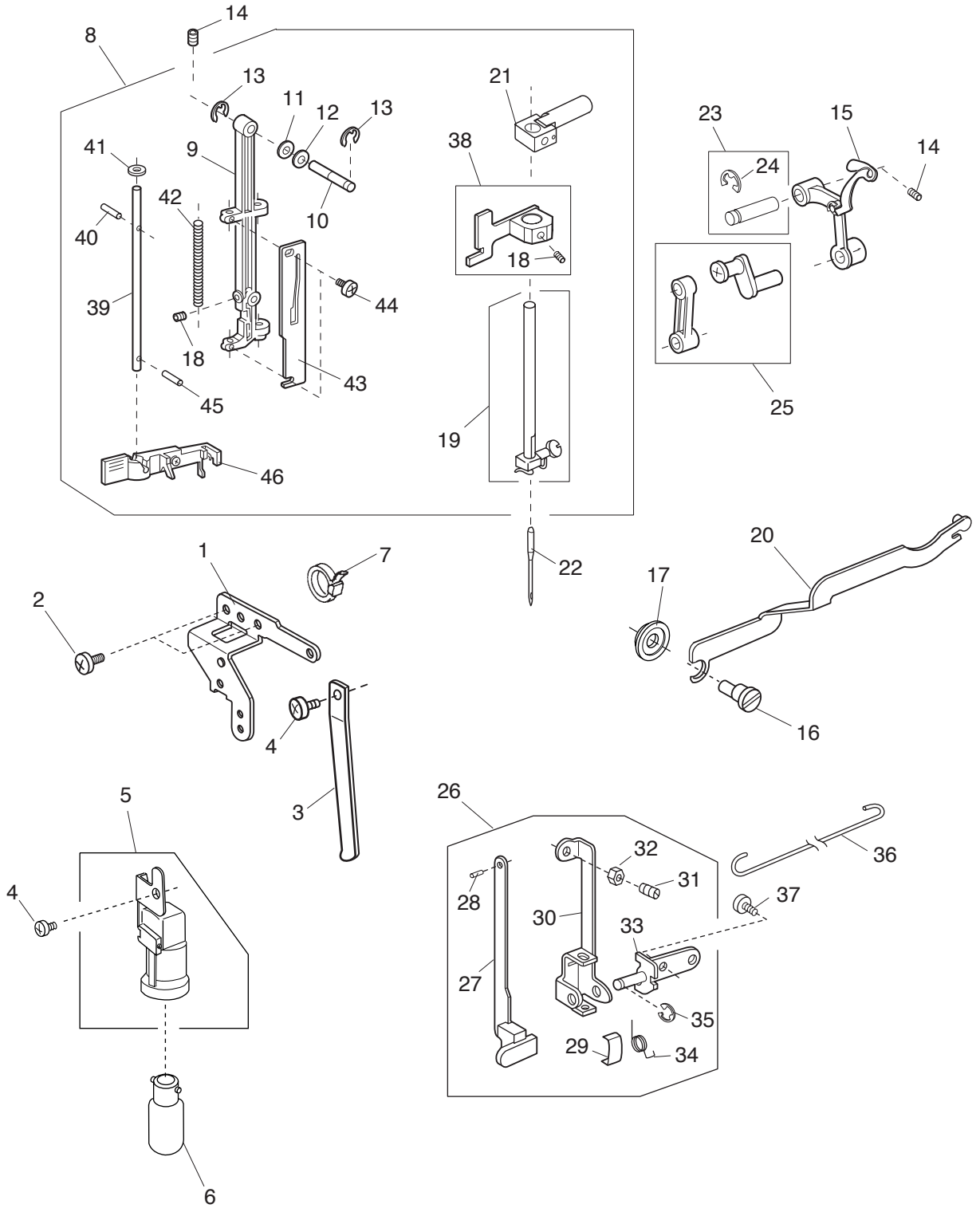
PARTS LIST



PARTS LIST

KEY NO.	PARTS NO.	DESCRIPTION
1	308611106	Presser bar base plate (unit)
2	308060001	Presser bar base plate
3	735222009	Needle drop adjusting plate
4	000101404	Setscrew 4x6
5	735025000	Needle bar supporter stopper
6	000138307	Bolt 4x8
7	303017101	Presser bar
8	735027002	Presser bar spring
9	735028003	Presser bar bracket
10	000111500	Hexagonal socket screw 4x8
11	735029004	Presser foot lifter
12	000001609	Snap ring E-5
13	735030008	Tension release lever
14	000013903	Snap ring CS-5
15	000081005	Setscrew 4x8
16	000070506	Washer
17	301612003	Presser foot (unit)
18	660106001	Thumb screw
19	741604008	Tension release arm (unit)
20	741008006	Tension release arm
21	739017001	Tension release arm base
22	739019003	Tension release spring
23	000002105	Snap ring E-3
24	302501001	Tension assembly
25	000103808	Setscrew 3x5
26	739016000	Top cover thread guide
27	000101703	Setscrew 4x12
28	740051001	BH adjusting lever
29	611510000	Foot holder (unit)
30	301505002	Presser foot (unit)

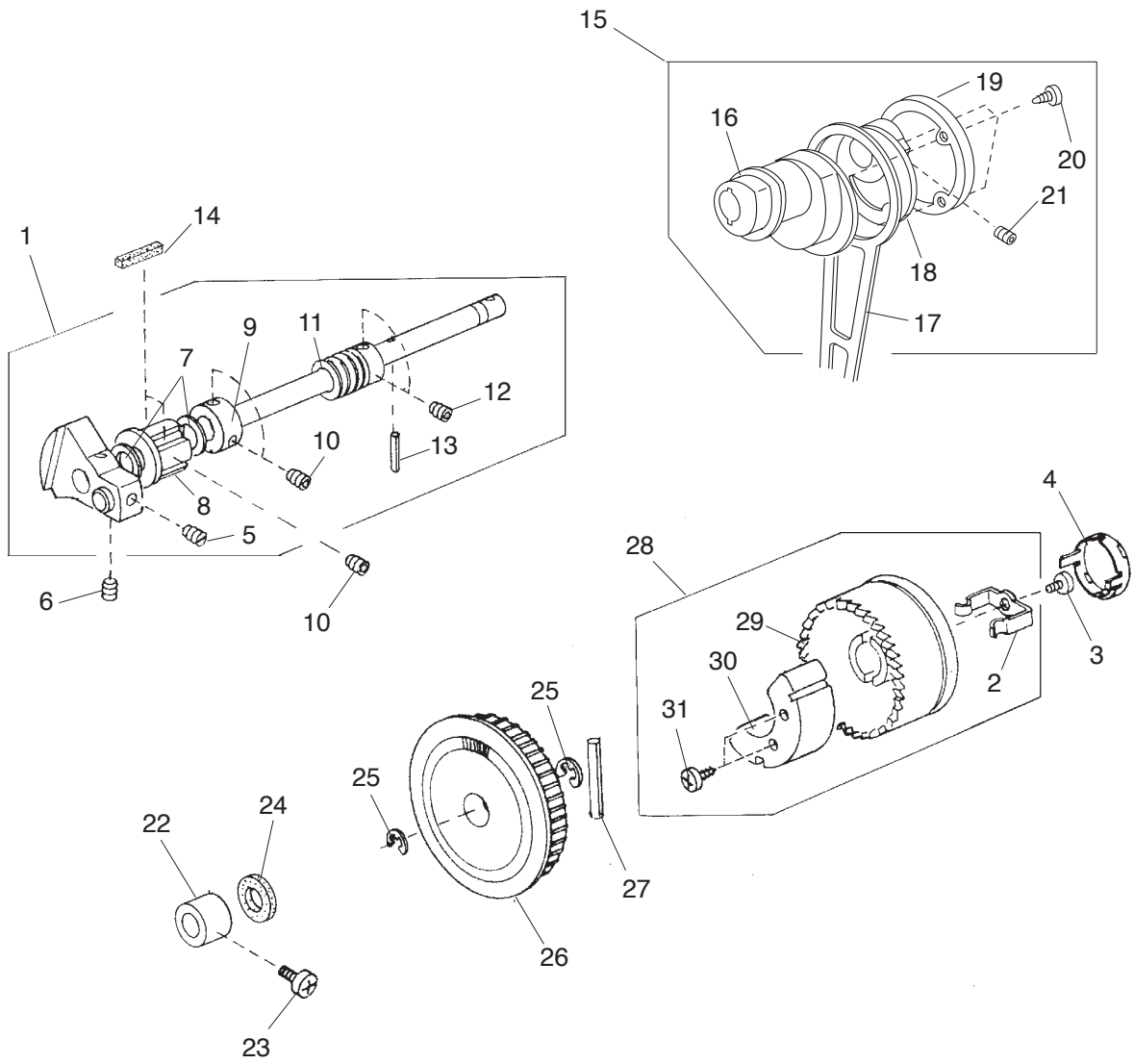
PARTS LIST



PARTS LIST

KEY NO.	PARTS NO.	DESCRIPTION
1	740007013	Face cover set plate
2	000081005	Setscrew 4X8
3	730024004	Needle bar supporter spring
4	000101404	Setscrew 4X6
5	743634003	Lamp socket (unit)
6	000009009	Lamp 240V 15W
7	000053709	Cord tie band
8	301611703	Needle bar supporter (unit)
9	301032106	Needle bar supporter
10	730022002	Needle bar supporter pin
11	673022002	Wave washer
12	000070609	Plain washer
13	000002507	Snap ring E-4
14	000111304	Hexagonal socket screw 5X5
15	625506109	Thread take-up lever (unit)
16	678084007	Eccentric pin
17	748021006	Zigzag rod plain washer
18	000111902	Hexagonal socket screw 3X4
19	730503116	Needle bar (unit)
20	302022003	Zigzag rod
21	301504104	Needle bar connecting stud (unit)
22	102408089	Needle HA1-14
23	731511006	Thread take-up lever pin (unit)
24	000002806	Snap ring E-6
25	743664105	Needle bar crank (unit)
26	740617001	BH lever (unit)
27	735629109	BH lever (unit)
28	000023009	Spring pin 1.6x4
29	753027008	Friction spring
30	740047004	BH lever supporter
31	000113306	Hexagonal socket screw 4x10
32	000160102	Adjustable lock nut 4
33	740048005	BH lever base plate
34	740049006	BH lever spring
35	000002105	Snap ring E-3
36	740052002	BH step up rod
37	000103808	Setscrew 3x5
38	735628009	Threader positioning setting plate (unit)
39	301034005	Threader shaft
40	000122906	Guide pin
41	734107004	Washer
42	734094007	Threader shaft spring
43	735196003	Thread guide plate
44	000101105	Setscrew 3x4
45	000003508	Spring pin 2x8
46	639643009	Needle thread plate (unit)

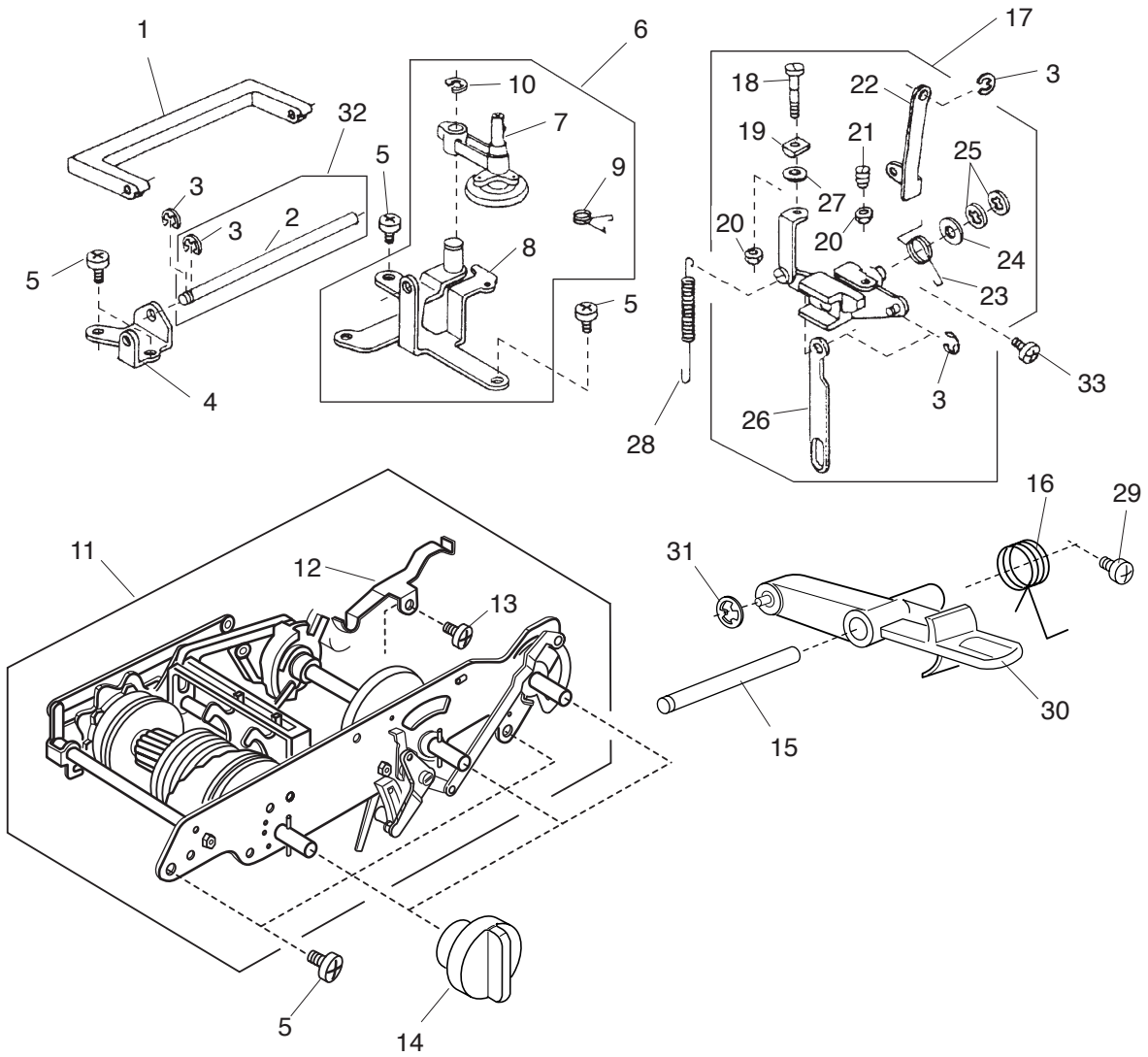
PARTS LIST



PARTS LIST

KEY NO.	PARTS NO.	DESCRIPTION
1	304607004	Upper shaft (unit)
2	639113016	Clutch spring
3	000081005	Setscrew 4x8
4	650070082	Clutch cap
5	102073003	Setscrew
6	761052007	Setscrew
7	000036717	Thrust washer
8	732025001	Upper shaft front bushing
9	639095000	Ring
10	000111304	Hexagonal socket screw 5x5
11	749011109	Worm
12	000111201	Hexagonal socket screw 4x4
13	000022802	Spring pin
14	731312005	Felt
15	304609006	Crank rod (unit)
16	304042005	Feed cam
17	743011008	Crank rod
18	304044007	Crank cam
19	304043006	Crank cam plate
20	000161309	Tapping screw 3x12
21	000110107	Hexagon socket screw 5x5
22	732003003	Upper shaft rear bushing
23	000172602	Setscrew 5x8
24	743029009	Felt
25	000030205	Snap ring E-8
26	743019006	Belt wheel
27	000023803	Spring pin
28	302604108	Handwheel (unit)
29	302007105	Handwheel
30	743030003	Balance weight
31	000121400	Tapping screw 3x14B

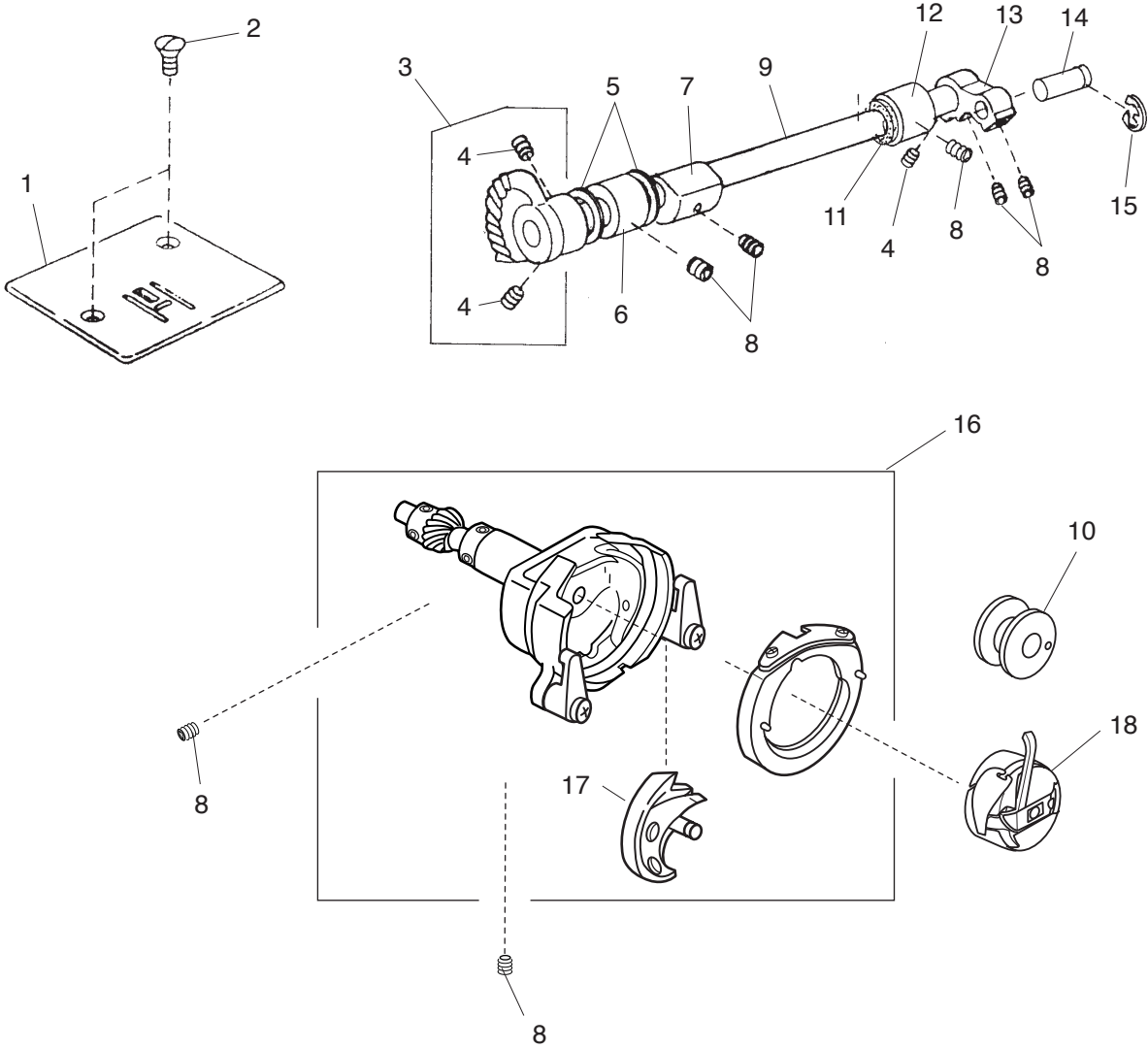
PARTS LIST



PARTS LIST

KEY NO.	PARTS NO.	DESCRIPTION
1	302006001	Handle
2	740011009	Handle shaft
3	000002105	Snap ring E-3
4	740010008	Handle supporter
5	000081005	Setscrew 4x8
6	740602209	Bobbin winder base plate (unit)
7	735501005	Bobbin winder arm (unit)
8	740003101	Bobbin winder base plate
9	740042009	Bobbin winder arm spring
10	000002806	Snap ring E-6
11	302607008	Zigzag mechanism (unit)
12	737011009	Index spring
13	000103808	Setscrew 3x5
14	302009004	Dial
15	736015000	R button shaft
16	739063002	R button spring
17	736604105	Feed regulator (unit)
18	735074004	SS adjusting screw
19	735076006	SS rod block
20	000160102	Adjustable lock nut 4
21	648010009	Setscrew
22	739020007	Feed regulating rod
23	735077007	Feed regulating body spring
24	735073003	Plain washer
25	000013800	Snap ring CS-6
26	745052007	Reverse link
27	000071013	Washer
28	740125001	Feed regulator spring
29	000101301	Setscrew 5x10
30	302008003	R button
31	000014007	Snap ring CS-4
32	740624001	Handle shaft (unit)
33	000172602	Setscrew 5x8

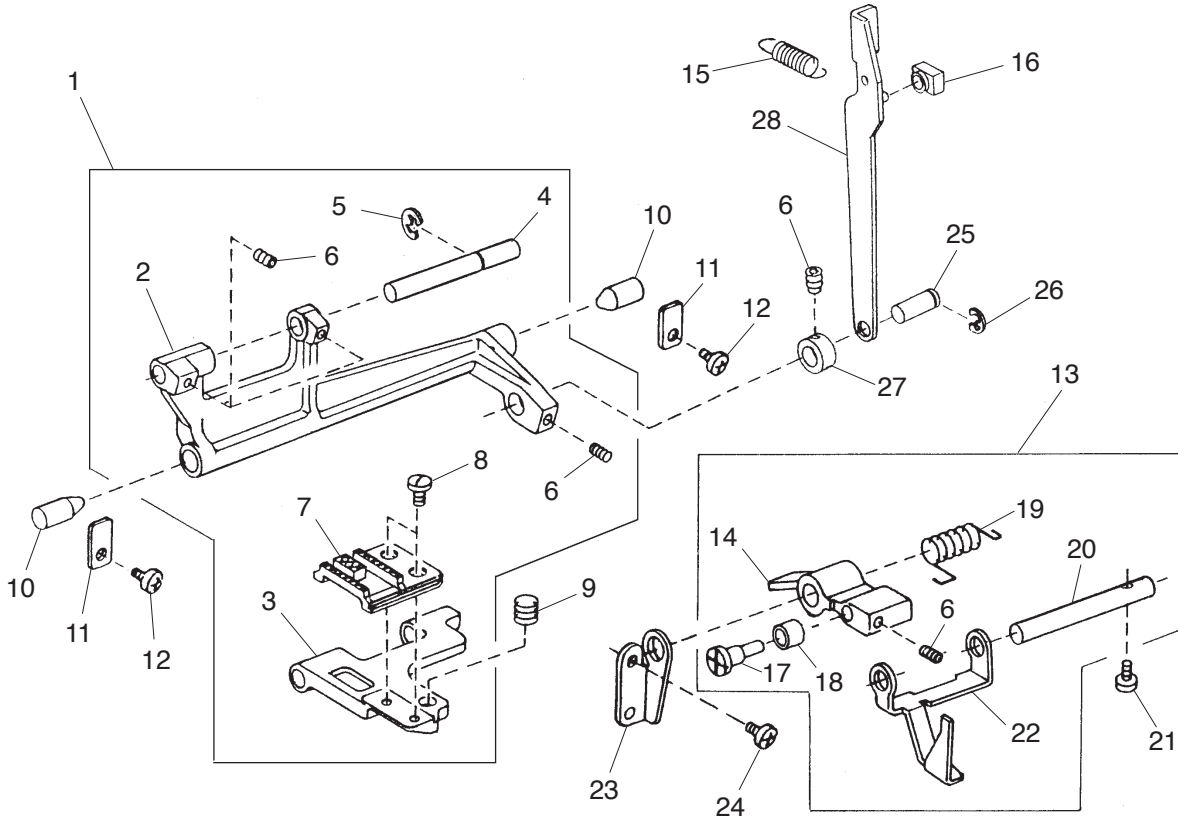
PARTS LIST



PARTS LIST

KEY NO.	PARTS NO.	DESCRIPTION
1	744004001	Needle plate
2	681009101	Setscrew
3	735950003	Lower shaft gear (unit)
4	000110107	Hexagon socket screw 5x5wp
5	000036201	Washer 8-0.5
6	735233003	Bushing (Front)
7	735061101	Feed lifting cam
8	000111304	Hexagon socket screw 5x5
9	735236006	Lower shaft
10	102261000	Bobbin
11	822070003	Felt (1)
12	735234004	Bushing (Rear)
13	639036003	Lower shaft crank arm
14	639037004	Pin
15	000001609	Snap ring E-5
16	735610101	Shuttle race body (unit)
17	532096007	Shuttle hook
18	647515006	Bobbin case (unit)

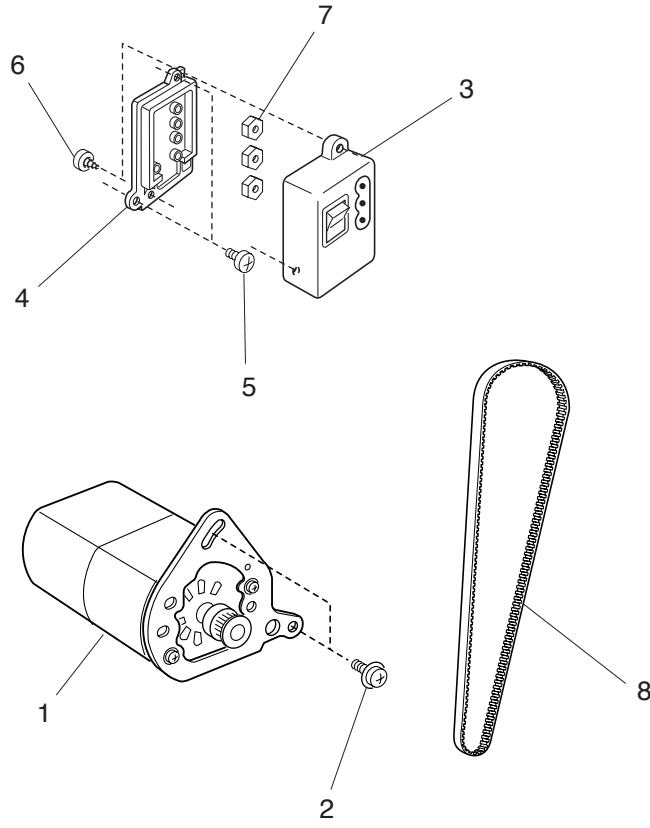
PARTS LIST



PARTS LIST

KEY NO.	PARTS NO.	DESCRIPTION
1	735612000	Feed rock shaft (unit)
2	735078008	Feed rock shaft
3	735079009	Feed bar
4	735080003	Feed bar shaft
5	000002507	Snap ring E-4
6	000111201	Hexagon socket screw 4x4
7	735081004	Feed dog
8	735082005	Setscrew
9	735083006	Feed bar spring
10	735084007	Feed rock shaft center
11	735085008	Feed rock shaft center plate
12	000101404	Setscrew 4x6
13	301609007	Feed lifting arm (unit)
14	301027005	Feed lifting arm
15	743013000	Feed rod spring
16	102141003	Feed regulator slide block
17	735087000	Feed lifting pin
18	735088001	Feed lifting roller
19	730061003	Feed lifting spring
20	735090006	Feed lifting shaft
21	000101703	Setscrew 4x12
22	740013001	Drop feed selecting plate
23	739022009	Feed lifting shaft holder
24	000081119	Setscrew 4x6
25	735071104	Feed rock shaft connecting pin
26	000002806	Snap ring E-6
27	735276008	Ring
28	743012009	Feed rod

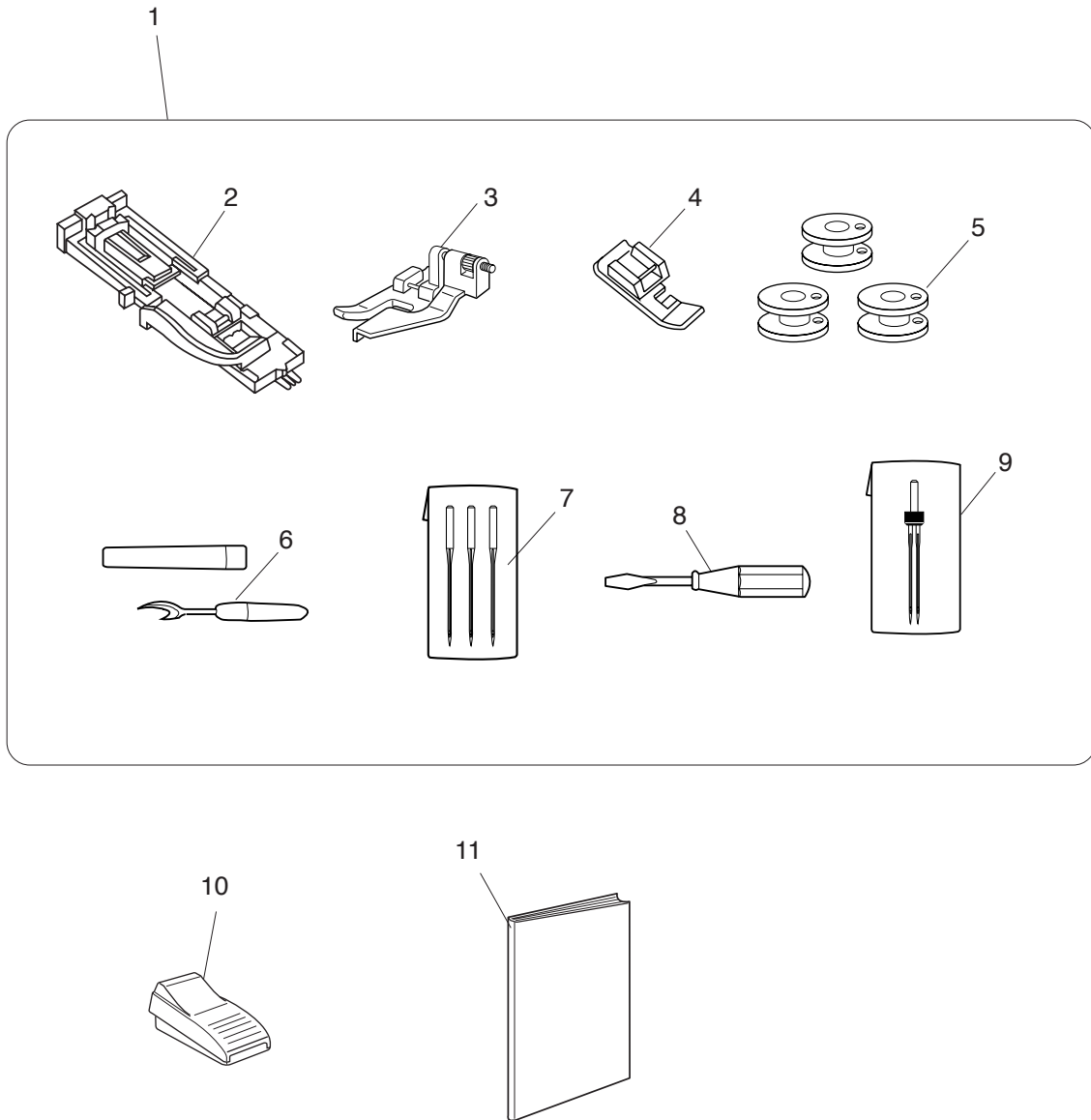
PARTS LIST



PARTS LIST

KEY NO.	PARTS NO.	DESCRIPTION
1	743611004	Motor assy
2	000201209	Setscrew 5x12
3	739503308	Machine socket (unit)
4	739037007	Machine socket cover
5	000103509	Setscrew 4x10
6	000107802	Setscrew 3x10
7	000060802	Nut
8	650166019	Motor timing belt

PARTS LIST



PARTS LIST

KEY NO.	PARTS NO.	DESCRIPTION
1	302870004	Accessory set
2	740801004	Automatic buttonhole foot
3	611411000	Blind hem stitch foot
4	611406002	Zipper foot
5	102261000	Bobbin
6	647808009	Buttonhole opener
7	639804000	Needle set
8	647803004	Screw driver (small)
9	302802005	Twin needle
10	042870308	Foot control
11	302800564	Instruction book