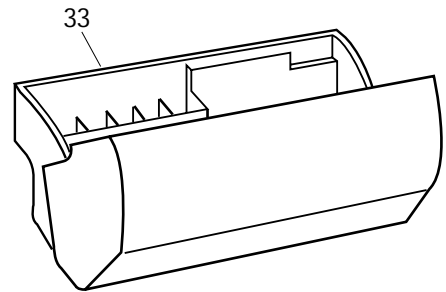
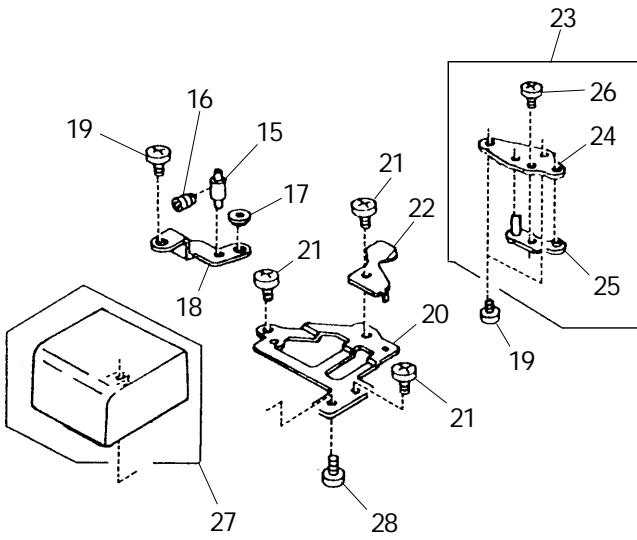
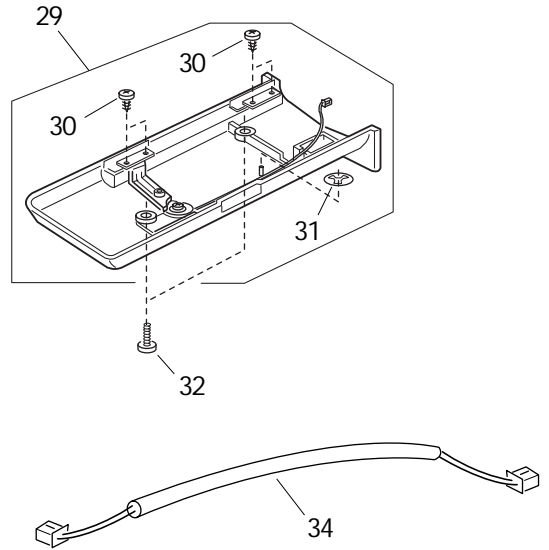
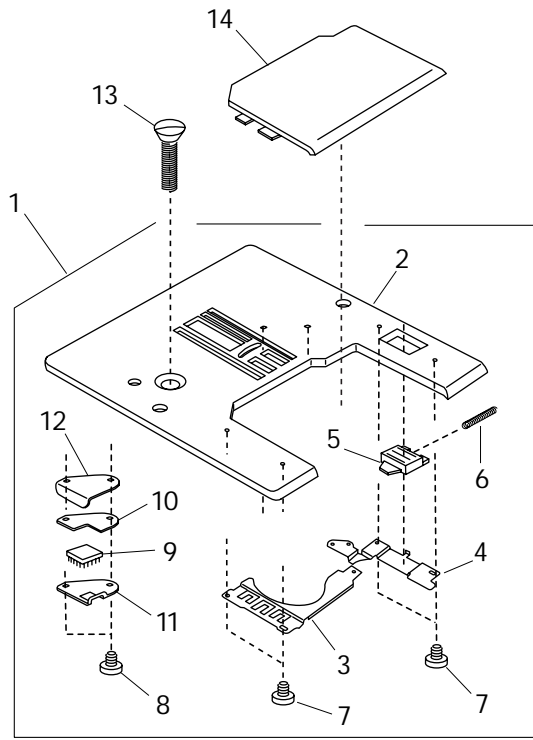
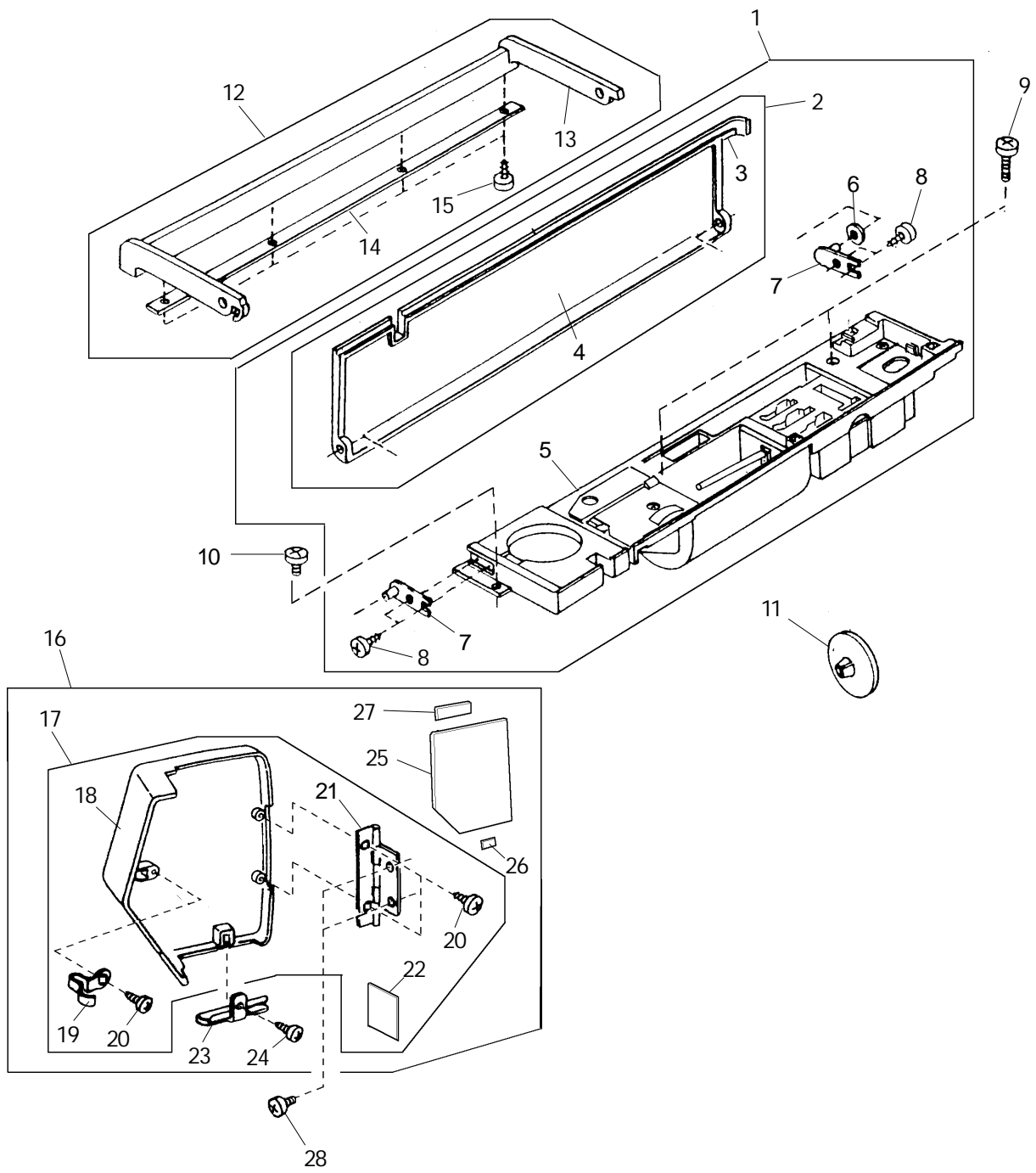


PARTS LIST

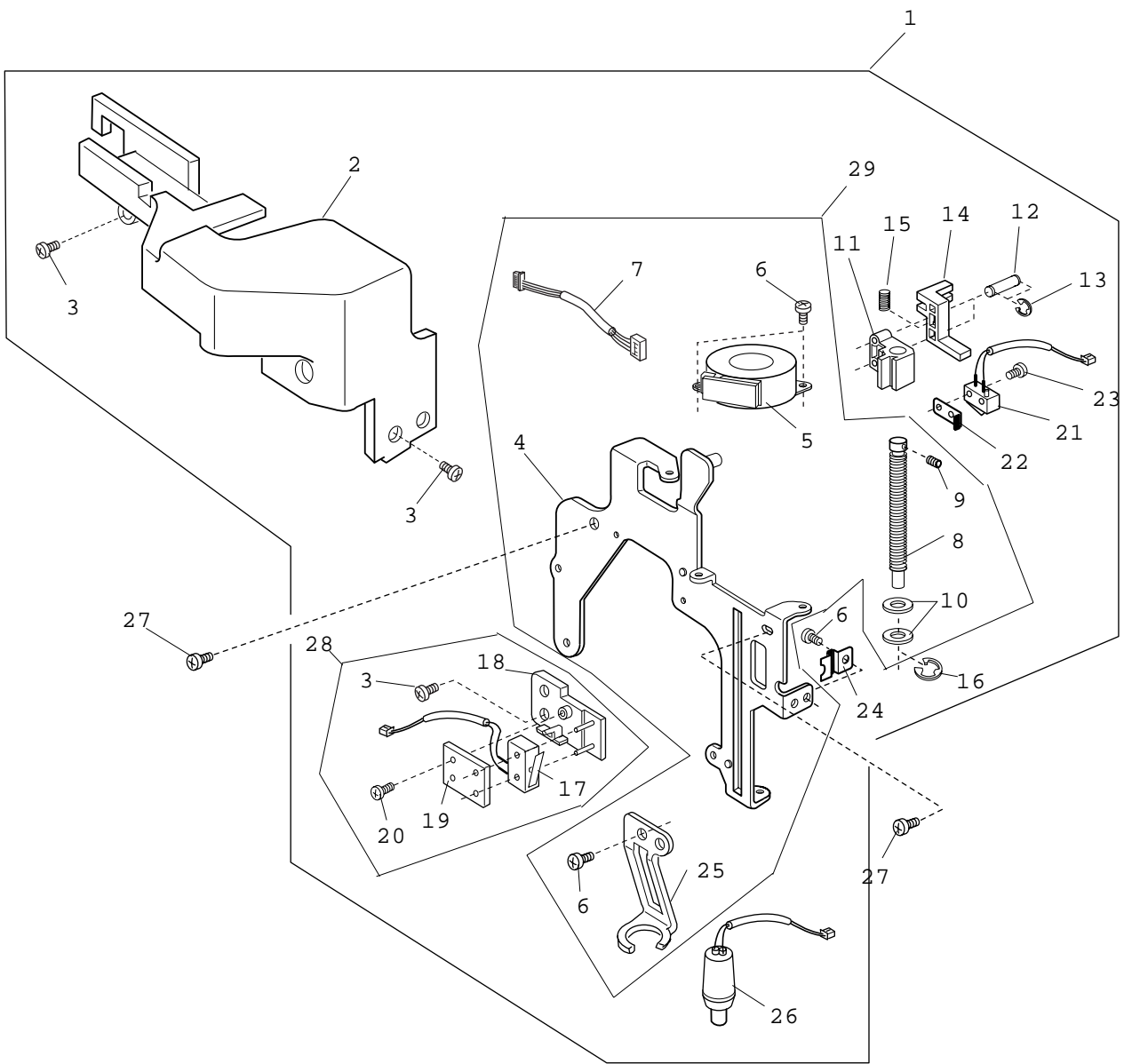
Memory Craft 10000



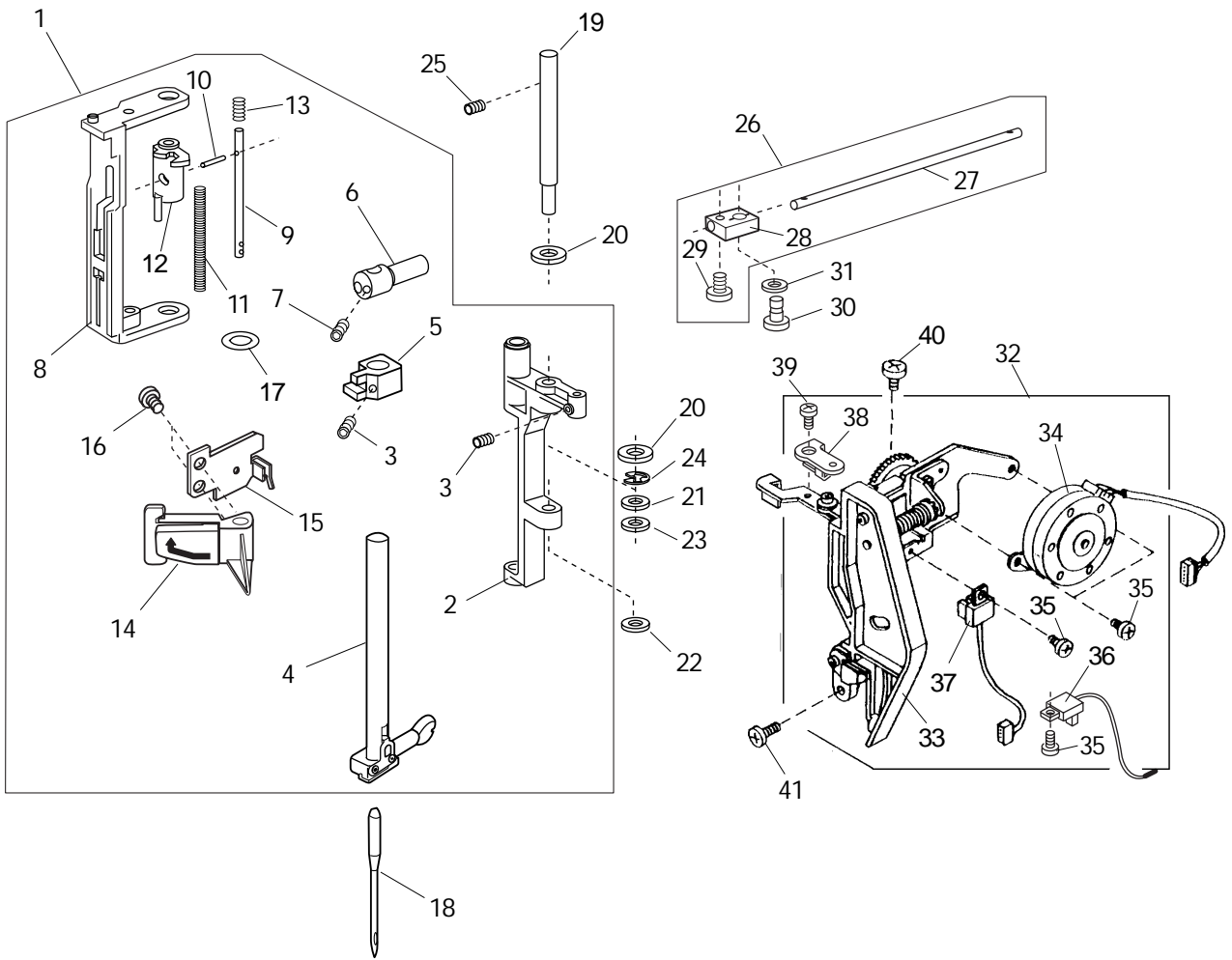
KEY NO.	PART NO.	NAME
1	832649011	Needle Plate Unit
2	832010006	Needle Plate
3	832235010	Hook Cover Plate Supporter (Left)
4	832012019	Hook Cover Plate Supporter (Right)
5	825016000	Hook Cover Plate Release Button
6	825017001	Spring
7	000169709	Set Screw
8	000096900	Set Screw
9	832174009	Tape
10	825259100	Spacer
11	825257108	Tape Holder
12	825013007	Bobbin Holder Stopper
13	820390006	Set Screw
14	750036012	Hook Cover Plate
15	832013009	Needle Plate Position Adjusting Pin
16	000111201	Set Screw
17	822314002	Nut
18	832014000	Nut Holder
19	000101404	Set Screw
20	832165007	Stopper Plate
21	810220003	Set Screw
22	832181009	Stopper
23	825605013	Needle Plate Set Plate (R) Unit
24	825021019	Needle Plate Set Plate (R)
25	825022009	Position Adjusting Plate
26	000101105	Set Screw
27	832570009	Bed Cover (Front) Unit
28	000103705	Set Screw
29	850501005	Bed Cover Unit
30	000162805	Set Screw
31	000014306	CS Ring
32	000101703	Set Screw
33	850502006	Extension Box Unit
34	830545009	Cord



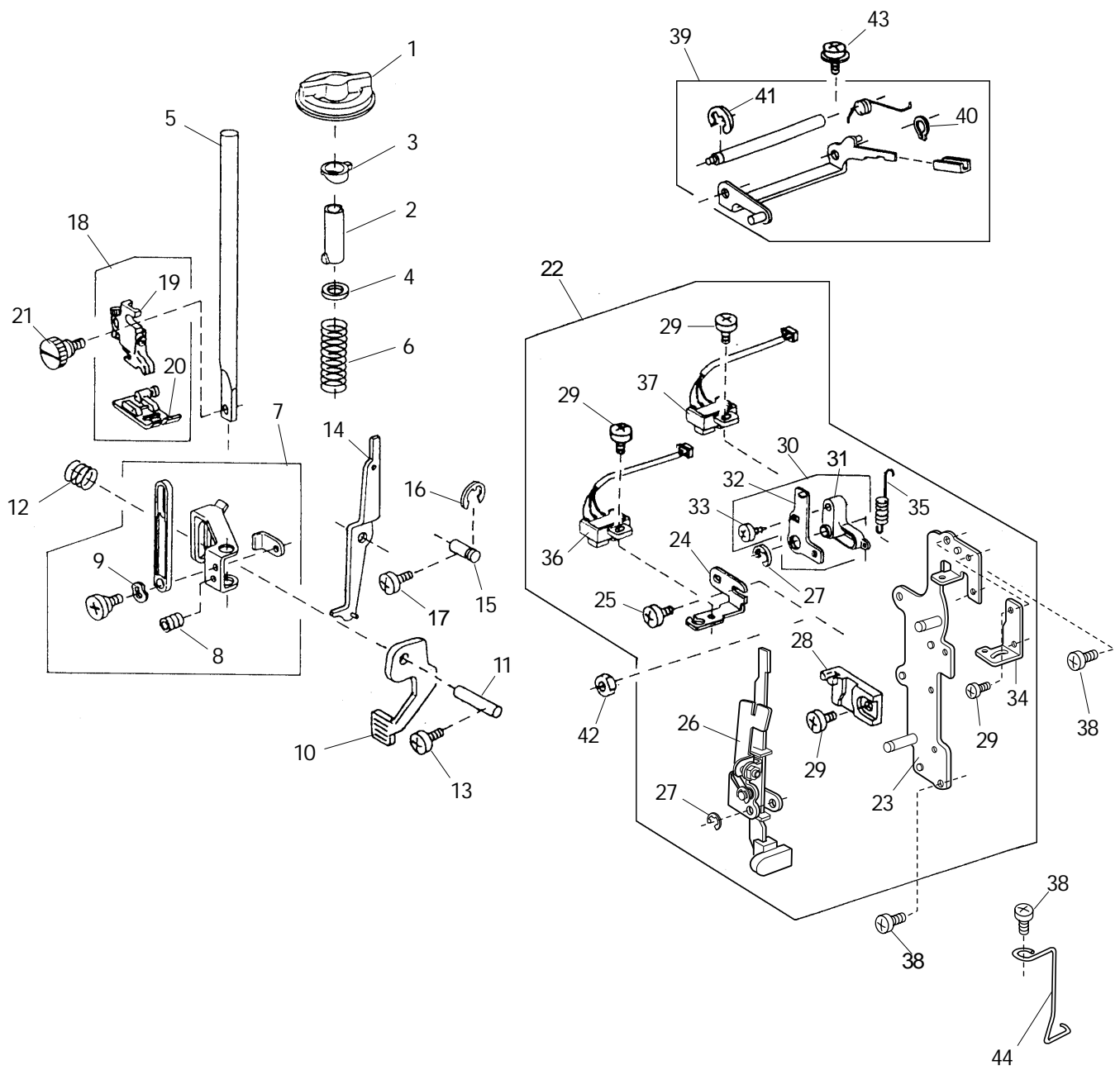
KEY NO.	PART NO.	NAME
1	850601006	Top Cover Unit
2	850602007	Top Cover Unit
3	850006005	Top Cover
4	850007006	Quick Reference Chart (English)
5	850603008	Foot Compartment
6	830190005	Washer
7	830013003	Top Cover Hinge
8	000161103	Set Screw
9	000080901	Set Screw
10	000066705	Set Screw
11	822020514	Spool Holder (Large)
12	850633007	Handle Unit
13	850009008	Handle
14	850010105	Handle Supporter
15	000197809	Set Screw
16	850634008	Face Cover for U.S.A.
	850634204	Face Cover for E.U.
	850634307	Face Cover for Australia, Great Britain
17	850504008	Face Cover Unit
18	850012107	Face Cover
19	850013005	Face Cover Spring
20	000120203	Set Screw
21	366501102	Face Cover Hinge Unit
22	724025006	Face Cover Reflection Plate
23	832508006	Thread cutter Unit
24	000161103	Set Screw
25	850206007	Sticker
26	100411001	Lamp Sticker
27	830312016	Caution Sticker for U.S.A. & Canada
	831025001	Caution Sticker for E.U.
28	000077503	Set Screw



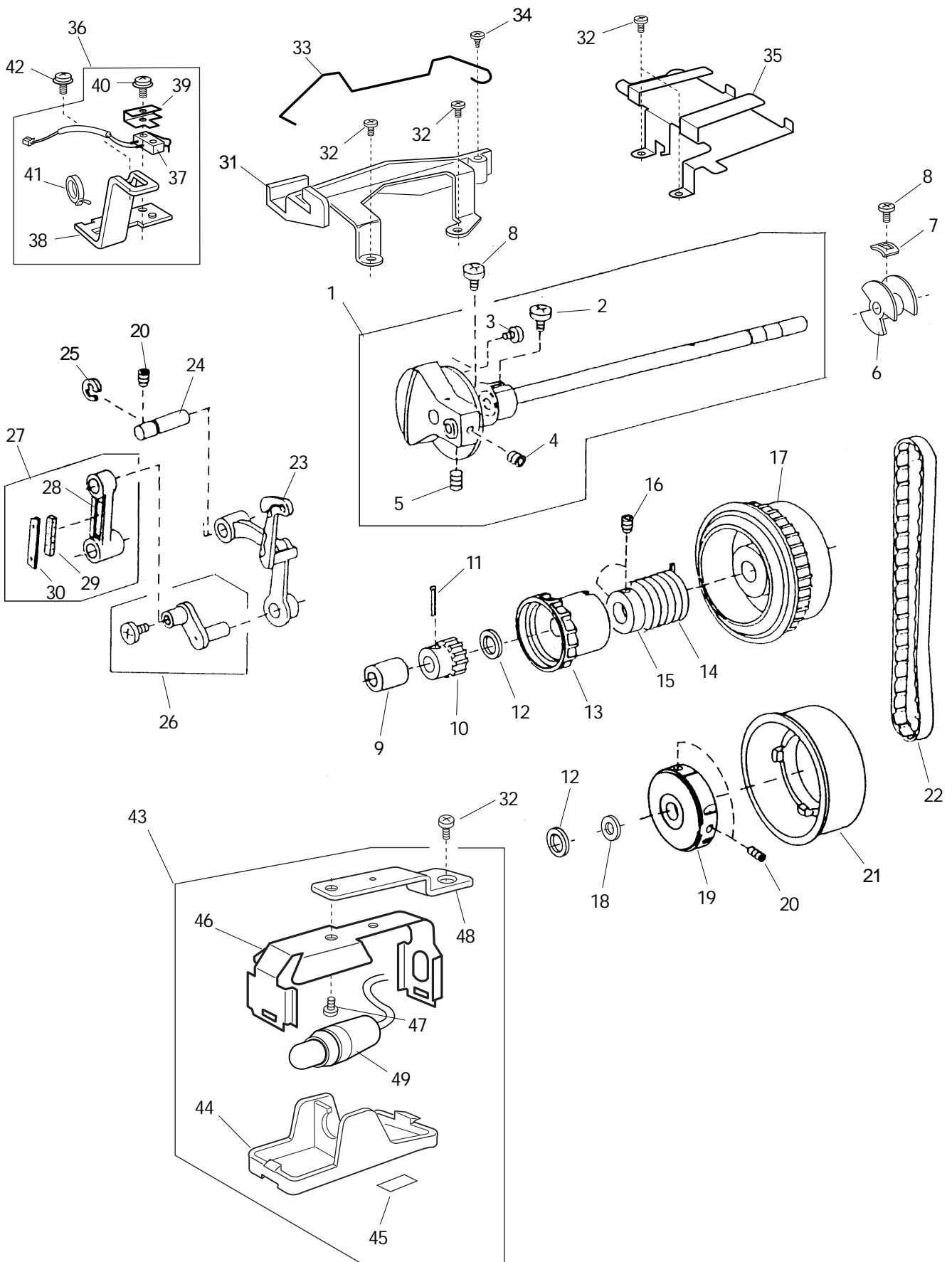
KEY NO.	PART NO.	NAME
1	850604010	Needle Threader Motor Unit
2	850019012	Motor Cover
3	000103819	Set Screw
4	850014017	Front Set Plate
5	850505009	Stepping Motor Unit
6	000101105	Set Screw
7	850506000	Motor Harness Unit
8	850015007	Threader Feed Screw
9	000110509	Set Screw
10	000036603	Washer
11	850016019	Threader Carriage 1
12	850098004	Pin
13	000002301	Snap Ring
14	850017009	Threader Carriage 2
15	850018000	Spring
16	000002507	Snap Ring
17	850507001	Micro Switch Unit
18	850170001	Micro Switch Fixing Plate
19	850171002	Switch Cover
20	000162805	Set Screw
21	850538001	Micro Switch Unit
22	850652002	Cord guide
23	000134004	Set Screw
24	850653003	Cord guide
25	850050004	Lamp Fixing Plate
26	850525005	Lamp Socket Unit
27	000081005	Set Screw
28	850658008	Micro switch unit
29	850659009	Needle threader motor unit



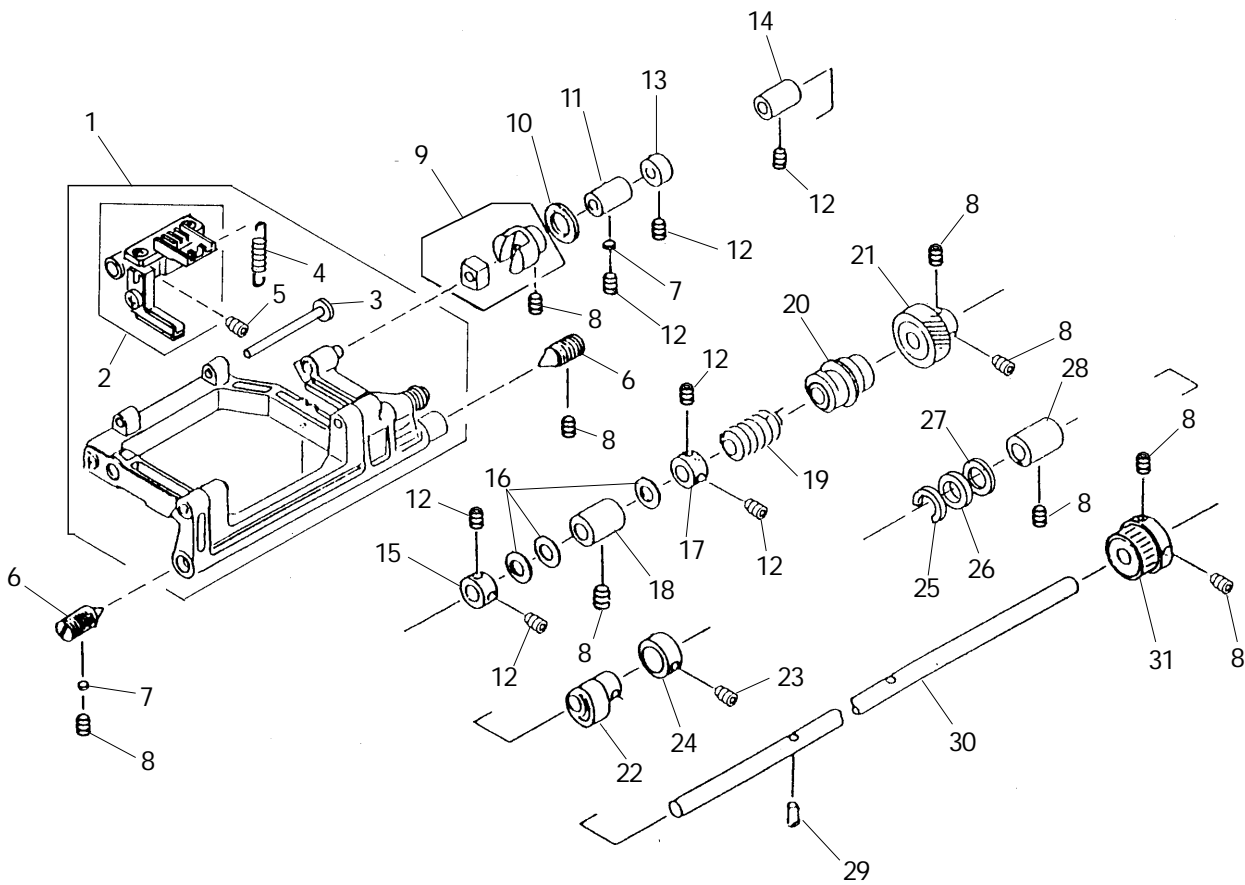
KEY NO.	PART NO.	NAME
1	850605000	Needle Bar Supporter Unit
2	850020005	Needle Bar Supporter
3	000111902	Set Screw
4	830609208	Needle Bar Unit
5	850021006	Threader Positioning Setting Block
6	751047008	Needle Bar Connecting Stud
7	000111201	Set Screw
8	850022007	Threader Frame
9	850023008	Threader Shaft
10	850173004	Pin with Groove
11	850024009	Threader Shaft Spring
12	850025000	Threader Guide
13	850026001	Threader Guide Spring
14	850631005	Thread Holder Unit
15	850508002	Threader Plate Unit
16	000102807	Set Screw
17	000174110	O Ring
18	102408089	Needle
19	823018006	Needle Bar Supporter Shaft
20	822063003	Felt (2)
21	000036108	Thrust Washer
22	000036603	Thrust Washer
23	000116000	Washer
24	000001609	Snap Ring
25	000111108	Set Screw
26	850617005	Zigzag Width Rod Unit
27	850082005	Zigzag Width Rod
28	823065008	Needle Bar Supporter Connecting Stud
29	000115308	Set Screw
30	823066009	Connecting Rod Shaft
31	000116103	Washer
32	850648005	Thread Tension Unit
33	850510100	Thread Tension Unit
34	850511008	Stepping Motor Unit
35	000103808	Set Screw
36	832541001	Photo Interrupter Unit
37	832537004	Photo Interrupter Unit
38	832205011	Thread Tension Release Plate (Knee Lifter)
39	000101105	Set Screw
40	000115205	Set Screw
41	000101703	Set Screw



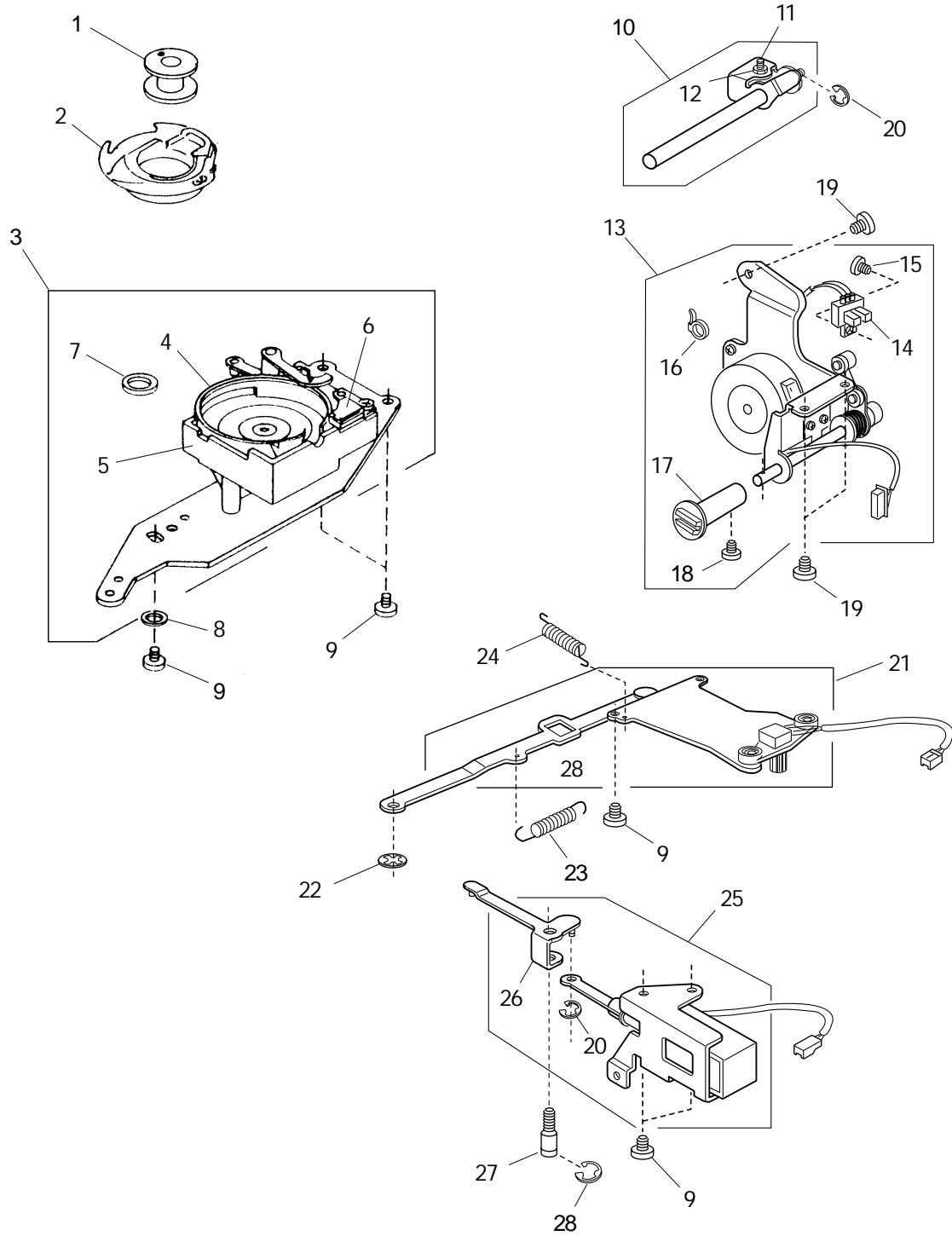
KEY NO.	PART NO.	NAME
1	830026010	Pressure Adjusting Dial
2	830027000	Presser Bar Bushing
3	830028001	Pressure Adjusting Cam
4	102061008	Plain Washer
5	830029002	Presser Bar
6	830030006	Presser Bar Spring
7	830586024	Presser Bar Supporter
8	000111500	Set Screw
9	000116608	Washer
10	830035115	Presser Bar Lifter
11	822072005	Presser Bar Lifter Pin
12	102222009	Spring
13	000115629	Set Screw
14	830037025	Tension Releasing Lever
15	830338007	Tension Releasing Lever Pin
16	000002507	Snap Ring
17	000081027	Set Screw
18	832501009	Presser Foot Unit
19	830504017	Presser Foot Holder Unit
20	832523007	Zigzag Foot Unit
21	825252000	Thumb Screw
22	850608003	Front Bracket Unit
23	850045006	Front Bracket
24	850046007	Sensor Set Plate
25	000101105	Set Screw
26	850630004	BH Lever Unit
27	000002105	Snap Ring
28	830057010	BH Lever Guide
29	000103808	Set Screw
30	832664001	Presser Foot Sensor Rink Unit
31	832206001	Presser Foot Sensor Rink
32	832207002	Presser Foot Sensor Shield Plate
33	000161103	Set Screw
34	850034002	Threader Guide
35	830277007	Presser Foot Sensor Shield Plate Spring
36	830510500	Photo Interrupter Unit
37	830510407	Photo Interrupter Unit
38	000081005	Set Screw
39	832566013	Presser Bar Actuator Arm Unit
40	000014605	Grip Ring
41	000001609	Snap Ring
42	000061205	Nut
43	000115629	Set Screw
44	830039027	Arm Thread Guide



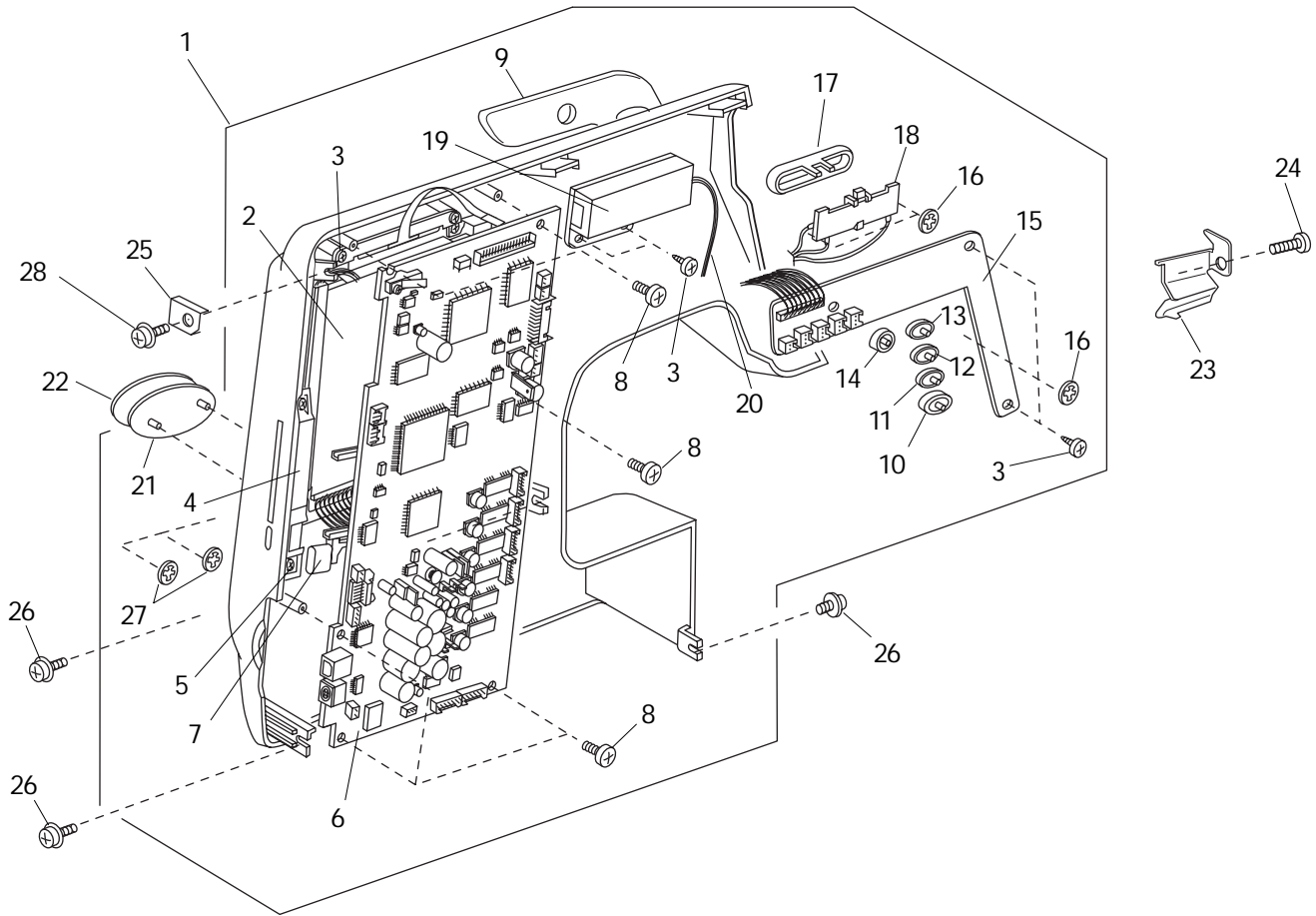
KEY NO.	PART NO.	NAME
1	850613104	Upper Shaft Unit
2	000103509	Set Screw
3	000078319	Set Screw
4	000110901	Set Screw
5	000111706	Set screw
6	850069017	Upper Shaft Shield Plate
7	820102009	Washer
8	000081005	Set Screw
9	673062015	Upper Shaft Rear Metal
10	830341003	Upper Shaft Timing Gear
11	000004303	Spring Pin
12	000038801	Washer
13	653055002	Declutch Releasing Ring
14	653057004	Clutch Spring
15	653056003	Clutch Ring
16	000111304	Set Screw
17	753166103	Belt Wheel
18	850070000	Upper Shaft Spacer
19	830286009	Hand wheel Base
20	000111201	Set Screw
21	635061115	Hand wheel
22	650071005	Timing Belt
23	820511108	Thread Take-up Lever Unit
24	650062003	Pin
25	000001702	Snap Ring
26	652512009	Needle Bar Crank Pin Unit
27	650607006	Needle Bar Crank Rod Unit
28	650039001	Needle Bar Crank Rod
29	650040005	Felt
30	650041006	Spring
31	850652002	Cord Guide 1
32	000101404	Set Screw
33	850175006	Cord Holder
34	000120203	Set Screw
35	850653003	Cord Guide 2
36	850607013	Presser Foot Lifter Sensor Unit
37	652520907	Micro Switch Unit
38	850044005	Switch Fixing Plate
39	850172003	Insulating Paper
40	000115308	Set Screw
41	000053008	Cord Binder
42	000115205	Set Screw
43	850629000	Lamp Cover Unit
44	850162000	Lamp Cover
45	100411001	Lamp Sticker
46	850163001	Lamp Cover Fixing Plate
47	000101127	Set Screw
48	850164002	Arm Lamp Fixing Plate
49	830538445	Lamp Socket Unit



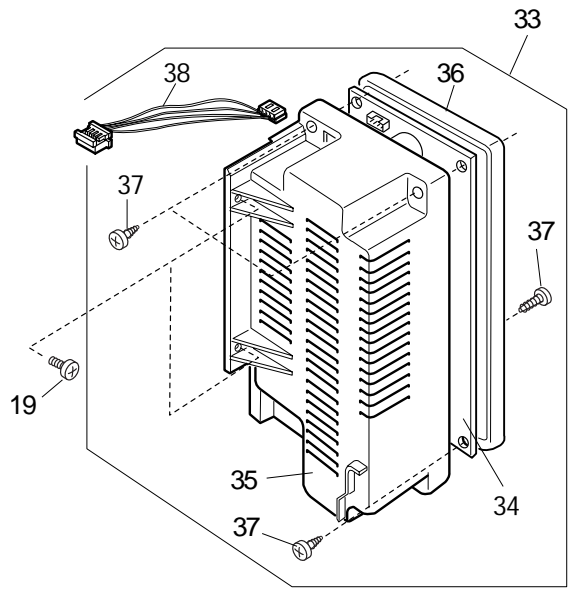
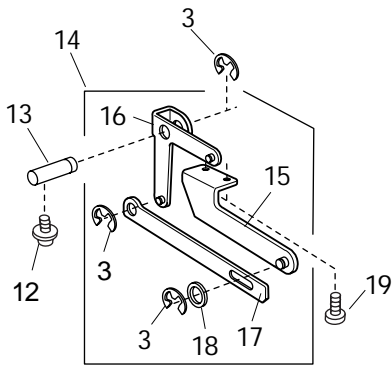
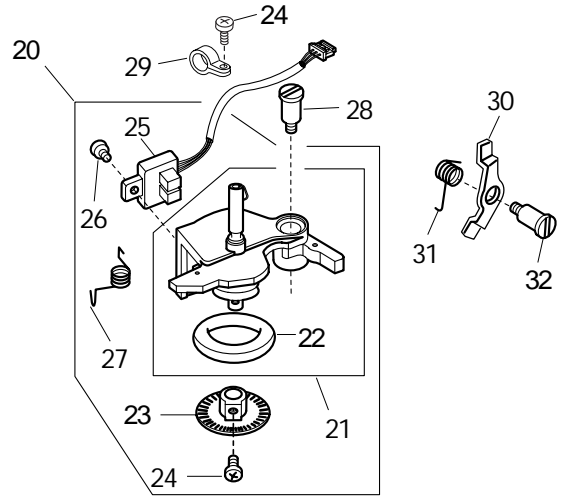
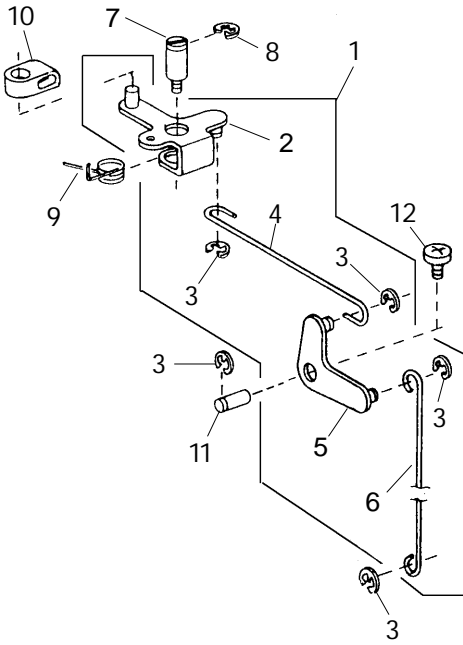
KEY NO.	PART NO.	NAME
1	832633001	Feed Lock Shaft Unit
2	832535002	Feed Dog Set Plate Unit
3	825099007	Pin
4	825103005	Spring
5	000111407	Set Screw
6	532030003	Screw Center
7	650175000	Washer
8	000111304	Set Screw
9	625508008	Feed Regulator Unit
10	823110009	Felt
11	625144002	Bushing (Front)
12	000111201	Set Screw
13	820387000	Ring
14	650092002	Bushing (Rear)
15	820166001	Lower Shaft Ring
16	000038502	Washer
17	825094002	Lower Shaft Ring
18	650078002	Lower Shaft Bushing (Front)
19	825093001	Feed Lifting Cam Spring
20	825092000	Feed Lifting Cam
21	650076000	Lower Shaft Gear
22	825091102	Feed Cam
23	000111108	Set Screw
24	810092004	Ring
25	822112008	Felt Holder
26	822070003	Felt (1)
27	000036201	Thrust Washer
28	650079003	Lower Shaft Bushing (Rear)
29	820161006	Pin
30	850071001	Lower Shaft
31	822113009	Lower Shaft Timing Gear



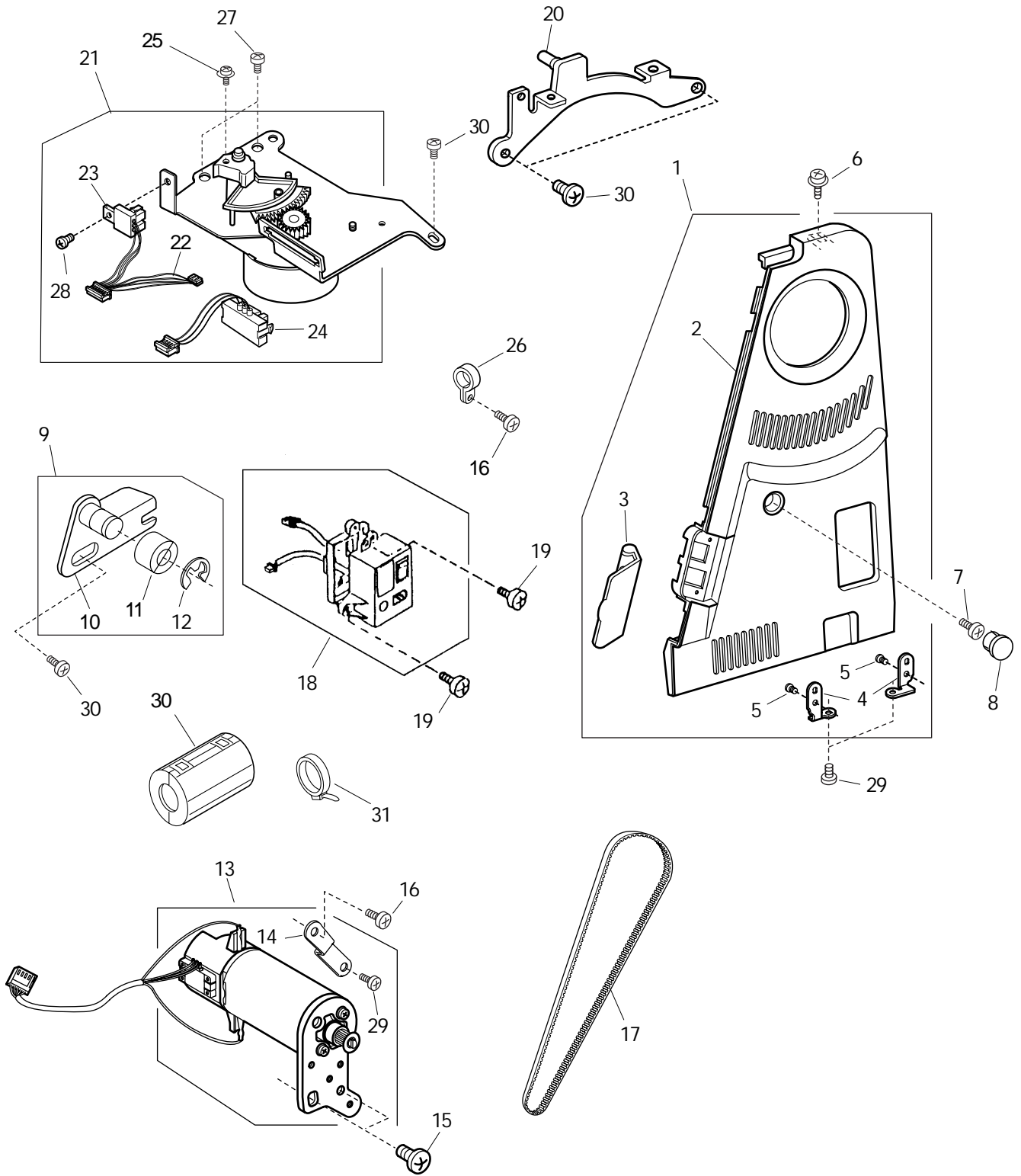
KEY NO.	PART NO.	NAME
1	102261103	Bobbin
2	832517112	Bobbin Holder Unit
3	832627105	Rotary Hook Unit
4	834950003	Hook Race Unit
5	832611106	Hook Race Cover Unit
6	627567001	Bobbin Holder Stopper Unit
7	627190010	Magnet
8	000070506	Plain Washer
9	000081005	Set Screw
10	850614002	Feed Arm Unit
11	830266003	Feed Arm Screw
12	000160102	Adjustable Lock Nut
13	850615003	Feed Stepping Motor Unit
14	832541001	Photo Interrupter Unit
15	000103808	Set Screw
16	000053008	Cord Binder
17	832087004	SS Adjusting Knob
18	000115009	Set Screw
19	000101404	Set Screw
20	000002105	Snap Ring
21	850618006	Sensor Set Plate Unit
22	000013707	CS Ring
23	850089002	Spring
24	850212006	Spring
25	850645002	Solenoid Unit
26	850083006	Sensor Arm
27	832097018	Hinge Screw
28	000002507	Snap Ring



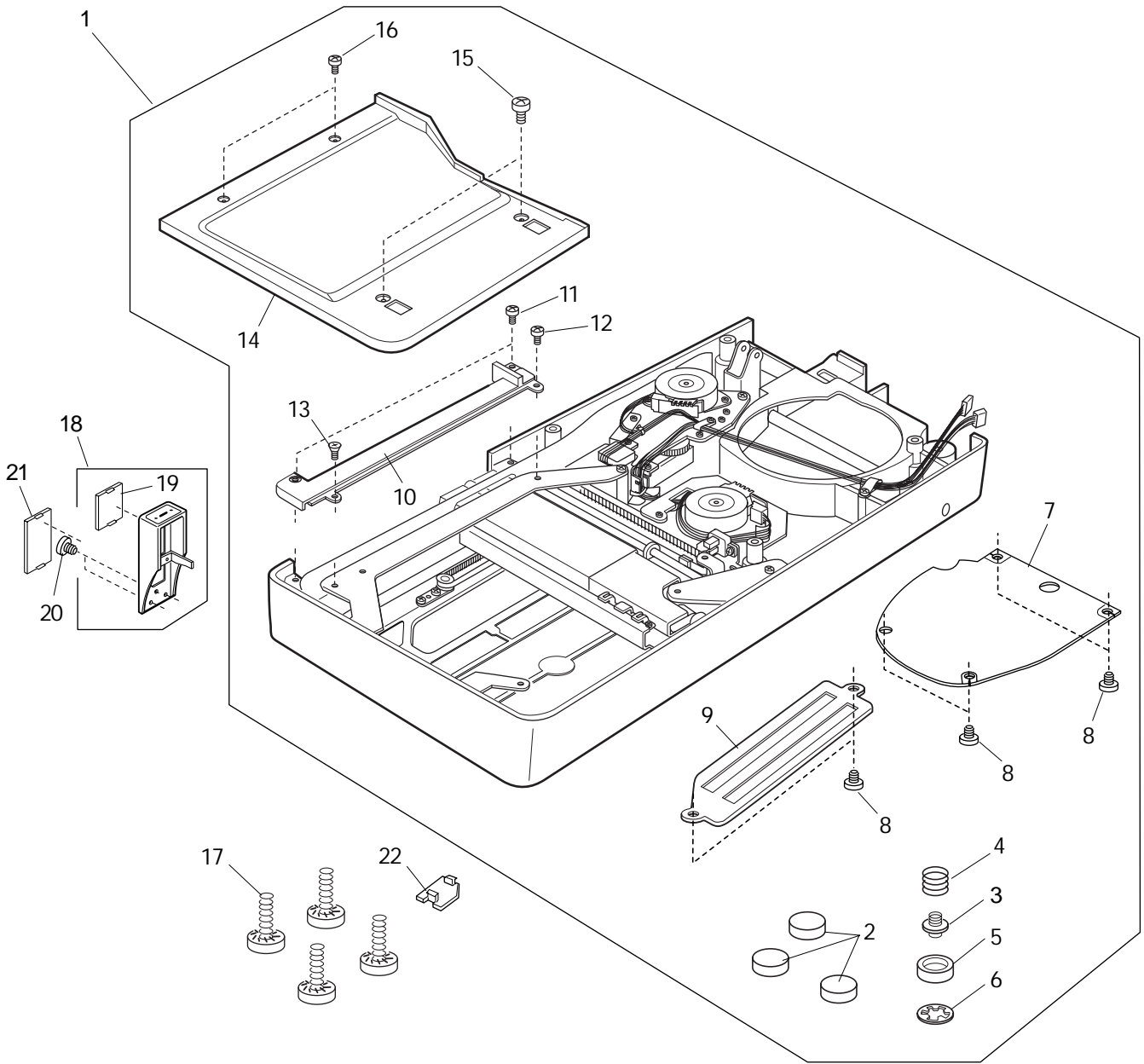
KEY NO.	PART NO.	NAME
1	850609015	Front Cover Unit
2	850610008	LCD Unit
3	000120203	Set Screw
4	850055009	Card Guide
5	000161206	Set Screw
6	850632109	Printed Circuit Board A Unit
7	850064001	Eject Button
8	000076317	Set Screw
9	850057001	Ornamental Plate
10	850058105	Button
11	850059106	Button (1)
12	850059209	Button (1)
13	850059302	Button (1)
14	850060111	Button (2)
15	850517004	Printed Circuit Board F Unit
16	000014306	CS Ring
17	850061008	Slide Knob
18	653507509	Slide Volume Unit
19	850612000	Inverter Unit
20	850524004	Inverter Harness Unit
21	832065006	Emblem Frame
22	850066003	Emblem
23	825183010	Arm Thread Guide (Lower)
24	000096508	Set Screw
25	832177002	Washer
26	000115607	Set Screw
27	000014007	Snap Ring
28	000103808	Set Screw
	850660003	Front cover unit (For replacing front cover) ó Not illustrated



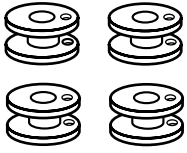
KEY NO.	PART NO.	NAME
1	832657001	Knee Lifter Link Unit
2	832210008	Knee Lifter Link (1)
3	000002507	Snap Ring
4	832213001	Knee Lifter Rod (1)
5	832214002	Knee Lifter Link (2)
6	832215003	Knee Lifter Rod (2)
7	832211009	Hinge Screw
8	000001609	Snap Ring
9	832212000	Spring
10	832218006	Knee Lifter Link (5)
11	830338100	Pin
12	000115629	Set Screw
13	832234019	Pin
14	850621002	Knee Lifter Link Plate Unit
15	850096002	Supporting Plate
16	850095001	Knee Lifter Link (3)
17	850097003	Knee Lifter Link Plate
18	000072003	Washer
19	000081005	Set Screw
20	850619007	Bobbin Winder Unit
21	850521001	Bobbin Winder Unit
22	365076007	Rubber Ring
23	850092008	Shield Plate
24	000066705	Set Screw
25	830510603	Photo Interrupter Unit
26	000103808	Set Screw
27	830273014	Spring
28	686063005	Hinge Screw
29	000126003	Nylon Clip
30	830145005	Declutch Arm
31	625215005	Spring
32	625214004	Hinge Screw
33	850628102	Switching Regulator Unit
34	850522105	Switching Regulator
35	850157002	Switching Regulator Case
36	850158003	Switching Regulator Plate
37	000119704	Set Screw
38	850523003	Power Supply Harness Unit



KEY NO.	PART NO.	NAME
1	850620001	Belt Cover Unit
2	850093009	Belt Cover
3	850094000	Connector Cover
4	832099009	Belt Cover Fixing Plate
5	000161103	Set Screw
6	000115009	Set Screw
7	000104108	Set Screw
8	653006101	Cap
9	830631014	Idler Unit
10	830148019	Idler Plate
11	625217100	Idler
12	000002806	Snap Ring
13	080270207	Motor Unit
14	850205006	Motor Fixing Plate
15	000115700	Set Screw
16	000101404	Set Screw
17	850165003	Timing Belt
18	830575101	Machine Socket Unit
19	000103509	Set Screw
20	850011003	Handle Base Plate Unit
21	850616004	Zigzag Width Stepping Motor Unit
22	850506309	Motor Harness Unit
23	832541207	Photo Interrupter Unit
24	830543100	Photo Sensor Unit
25	000115308	Set Screw
26	000126106	Nylon Clip
27	000081005	Set Screw
28	000103808	Set Screw
29	000066705	Set Screw



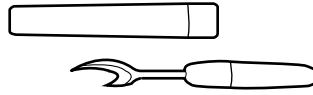
KEY NO.	PART NO.	NAME
1	850622106	Base Unit
2	830150003	Rubber Cushion
3	820350004	Adjusting Screw
4	820351005	Spring
5	605074008	Rubber Cushion
6	813123004	CS Ring
7	850151109	Base Lid
8	830267004	Set Screw
9	832146002	Base Lid (1)
10	850147102	Sheet Cover
11	000066727	Set Screw
12	000101105	Set Screw
13	000128201	Set Screw
14	850152100	Base Cover
15	000101426	Set Screw
16	000101127	Set Screw
17	000127107	Set Screw
18	850627008	Carriage Plate Unit
19	850169007	Carriage Cover Plate (2)
20	000115009	Set Screw
21	850156001	Carriage Cover Plate
22	832168000	Base Lid (3)



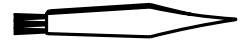
1



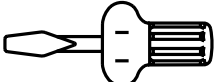
2



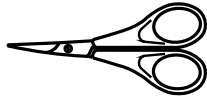
3



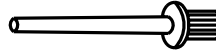
4



5



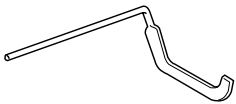
6



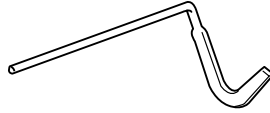
7



8



9



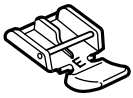
10



11



12



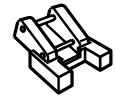
13



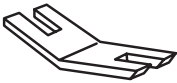
14



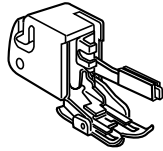
15



16



17



18



19



20



21



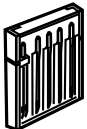
22



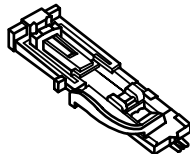
23



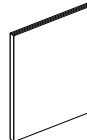
24



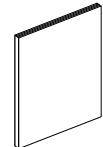
25



26



27



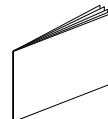
28



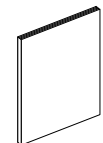
29



30



31



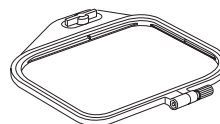
32



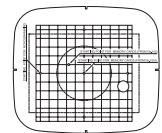
33



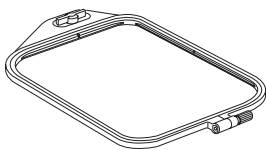
34



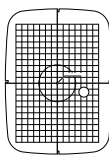
35



36



37



38

KEY NO.	PART NO.	NAME
1	102261103	Bobbin
2	102403109	Threading felt
3	560406104	Seam ripper
4	802424004	Lint brush
5	820832005	Screwdriver
6	822814007	Scissors
7	625031500	Spool pin
8	822019509	Spool holder
9	214015007	Quilting guide for Even foot
10	802422002	Quilting guide
11	820809014	Hemmer foot (D)
12	820819006	Cording foot (H)
13	829801002	Zipper foot (E)
14	200008004	1/4 in seam foot
15	822808008	Overlock foot (M)
16	802406011	Button sewing foot (T)
17	832820007	Button shank plate
18	214507001	Even foot
19	830856006	Darning foot
20	832810107	Cloth guide
21	822804118	Satin stitch foot (F)
22	825817009	Blind stitch foot (G)
23	830810031	Embroidery foot (P)
24	822801001	Overlock foot (C)
25	832832002	Set of needles
26	830823118	Buttonhole foot (R)
27	850800007	Instruction book (English 1)
	850800203	Instruction book (Italian, Spanish, Portuguese 1)
	850800100	Instruction book (German, Dutch, French 1)
28	850804001	Instruction book (English 2)
	850804207	Instruction book (Italian, Spanish, Portuguese 2)
	850804104	Instruction book (German, Dutch, French 2)
29	850805002	Instruction book (English 3)
	850805208	Instruction book (Italian, Spanish, Portuguese 3)
	850805105	Instruction book (German, Dutch, French 3)
30	850816006	Instruction sheet for ATA-PC card (English)
31	850808005	Template sheets
32	850407000	Embroidery idea book (English)
33	653524007	Power supply cord for USA and Canada
	830314018	Power supply cord for Australia
	830377008	Power supply cord for Great Britain
	830335004	Power supply cord for E.U.
34	832827004	Knee lifter
35	850801101	Embroidery hoop A
36	850801503	Template
37	850802102	Embroidery hoop B
38	850802401	Template
	850807004	English instructional video tape for NTSC system (Not illustrated)
	850807015	English instructional video tape for PAL system (Not illustrated)