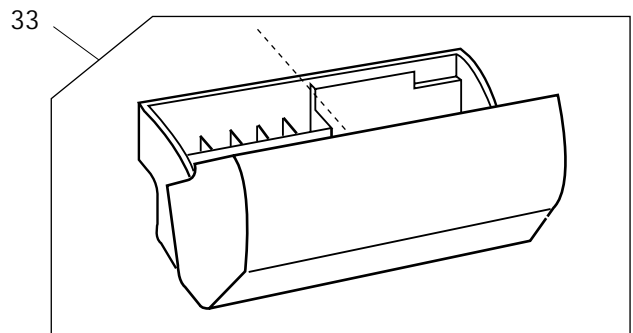
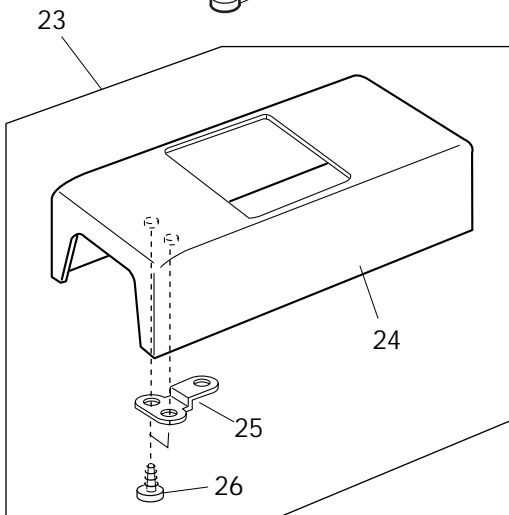
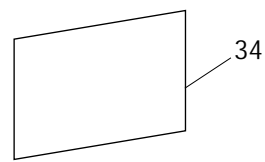
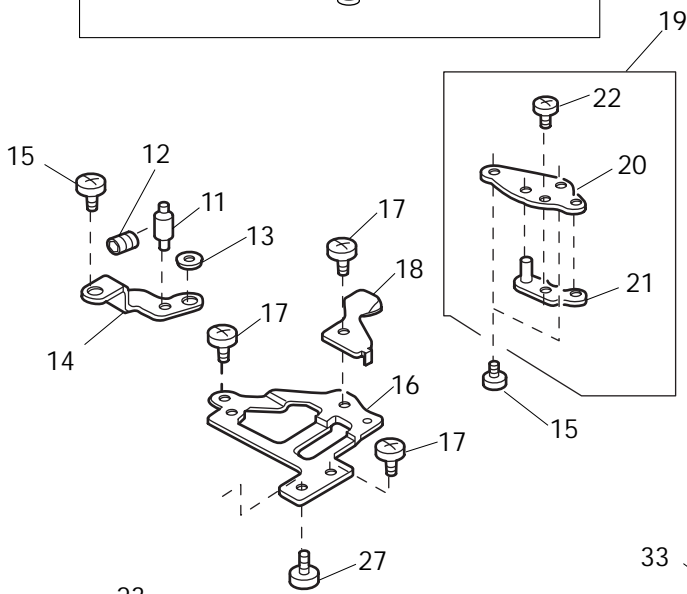
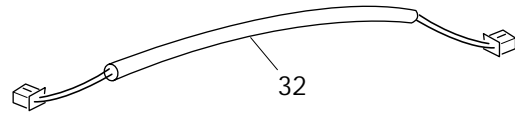
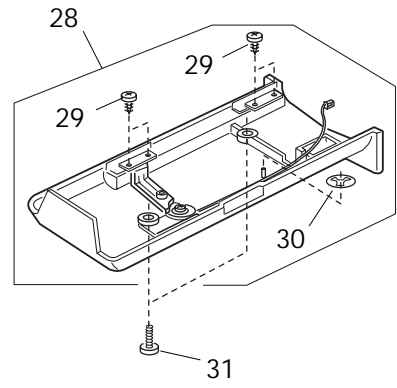
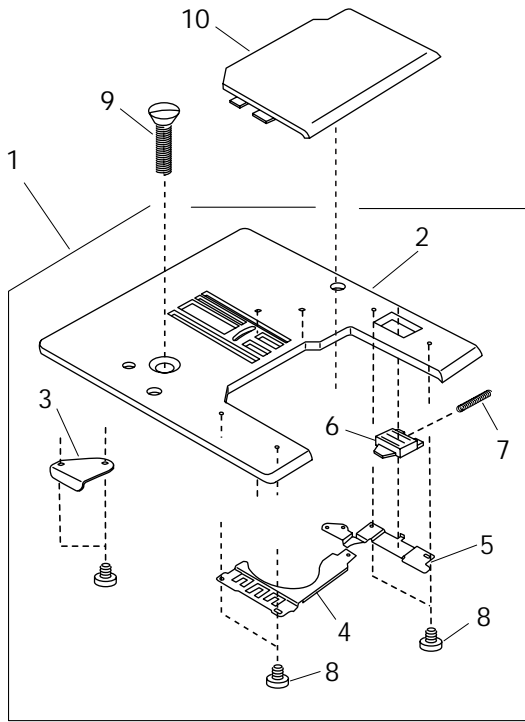
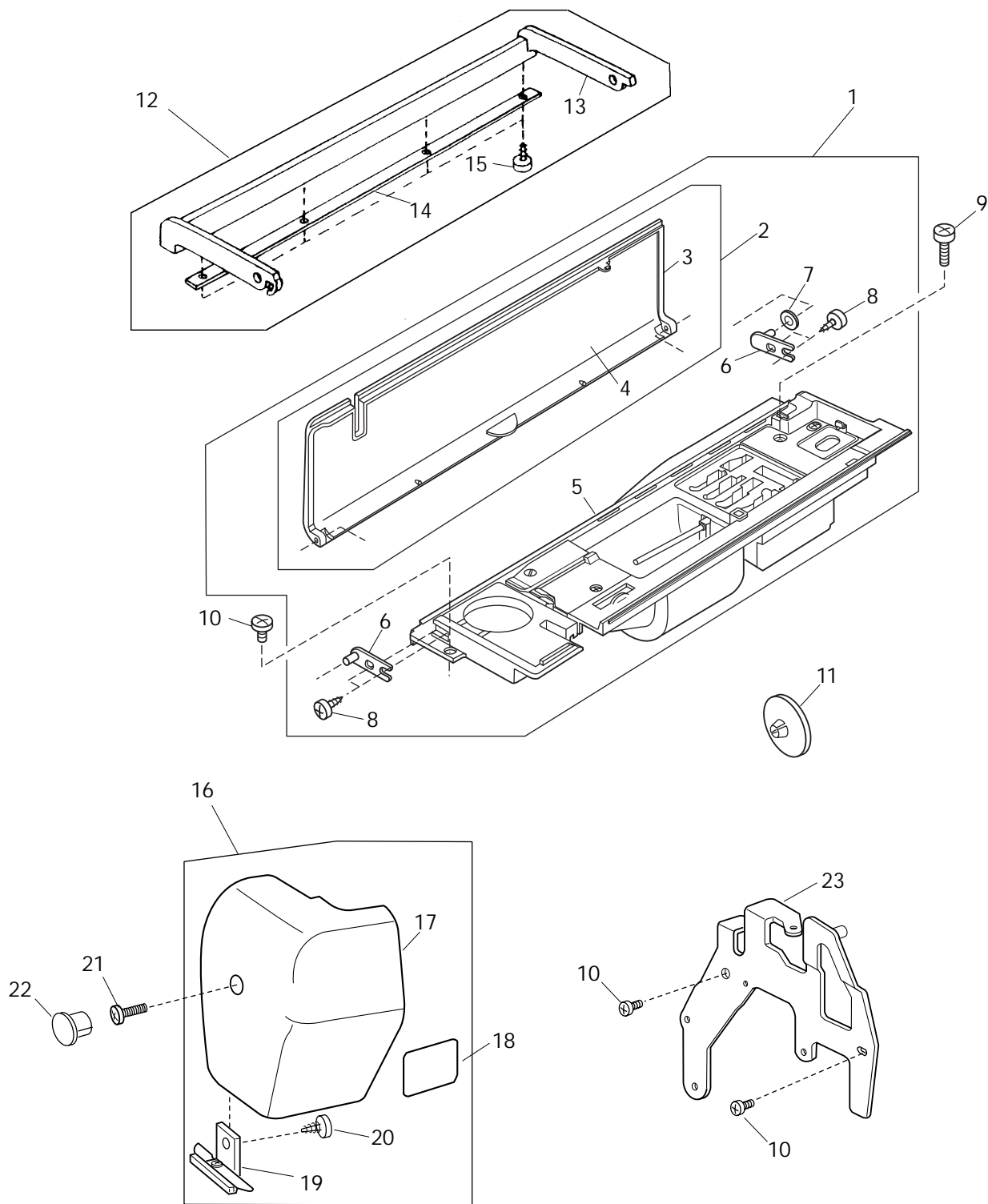


# **PRATS LIST**

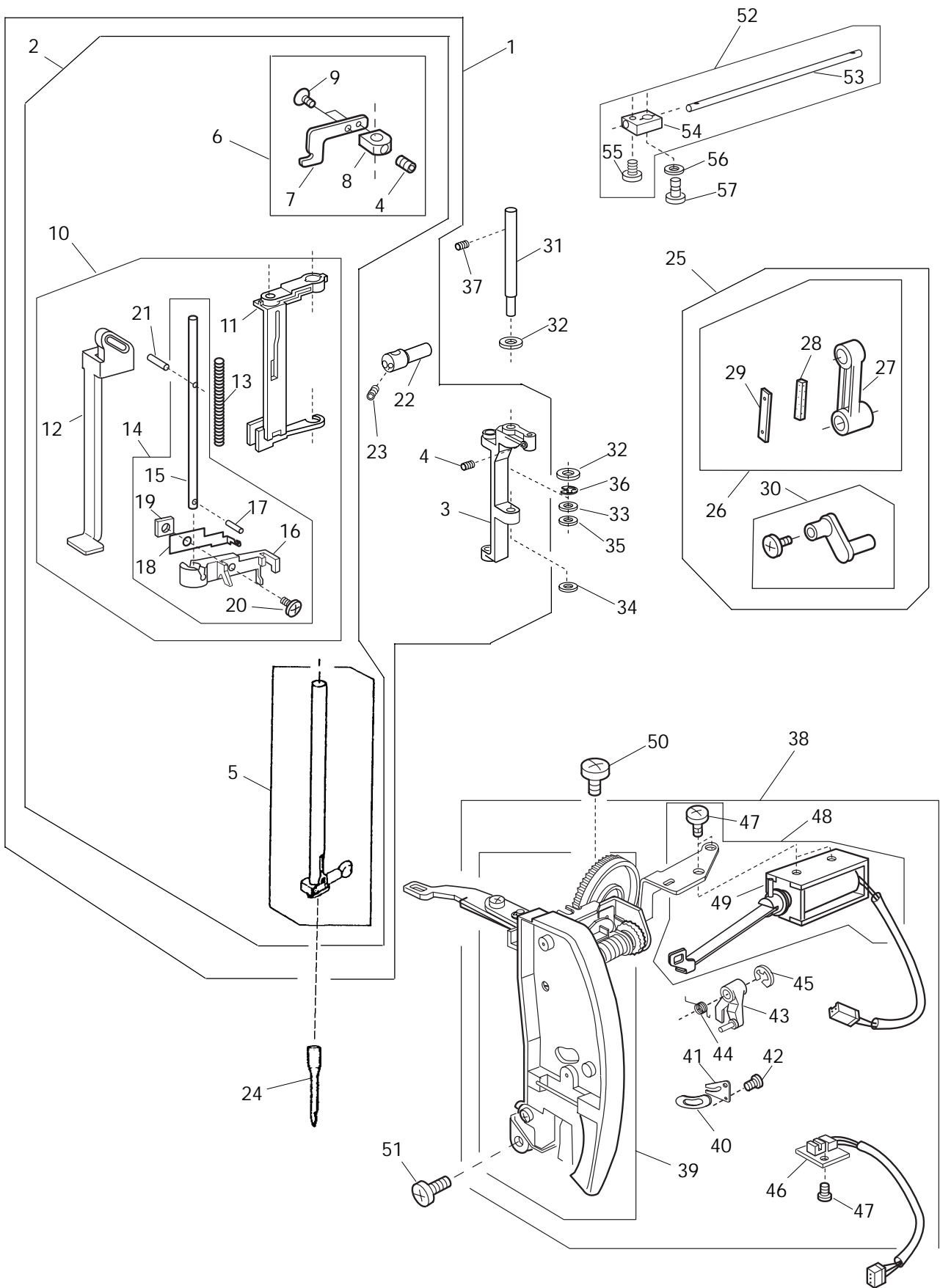
**Memory Craft 9500**



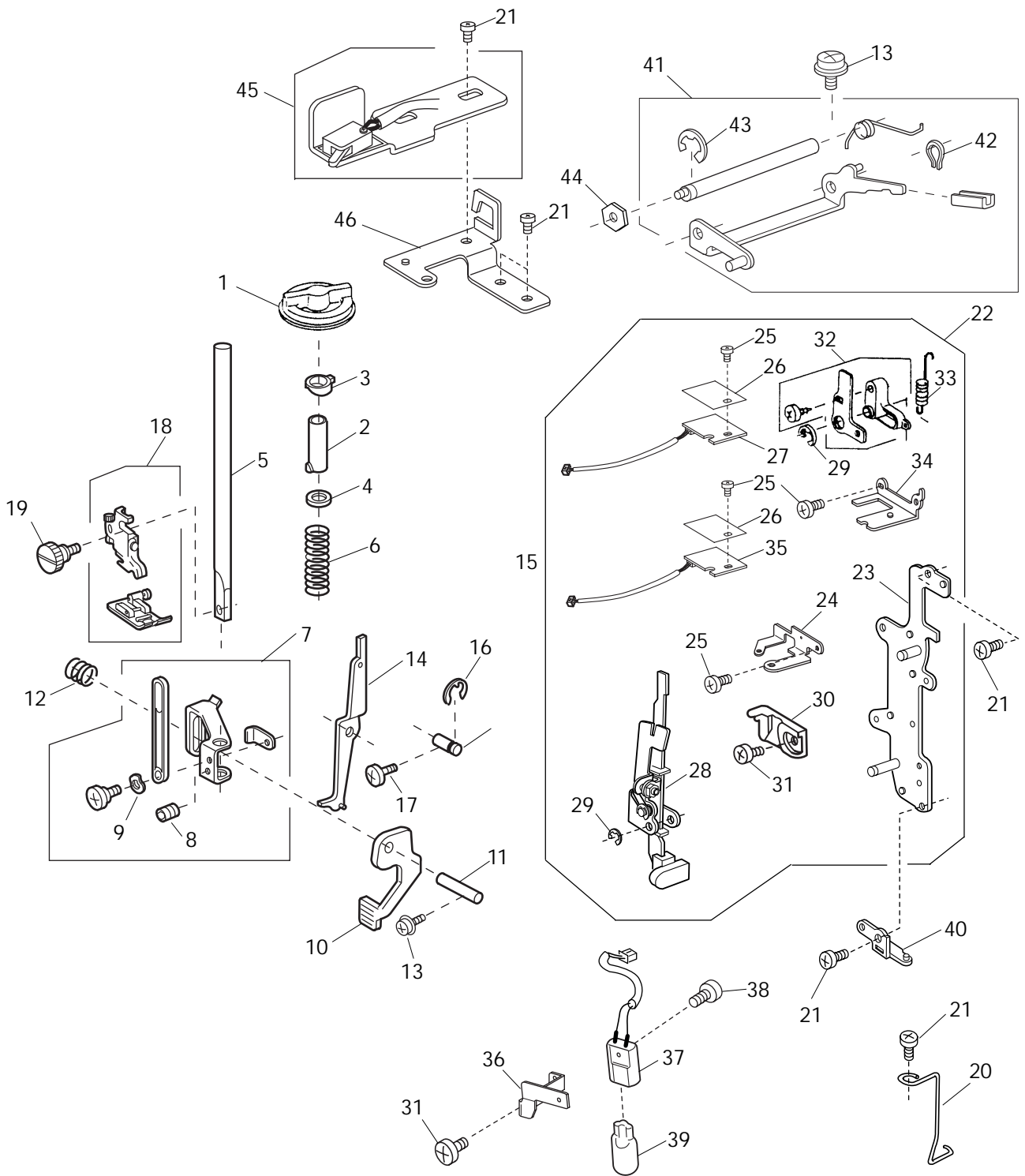
Ref.	Part No.	Name
1	853615002	Needle plate unit
2	851075008	Needle plate
3	654078004	Bobbin holder stopper
4	832235010	Hook cover plate supporter (L)
5	832012019	Hook cover plate supporter (R)
6	825016000	Slide plate holder block J-N1
7	825017001	Spring
8	000169709	Pan head small screw 2X2.3
9	820390109	Set screw (large)
10	750036012	Slide plate
11	832013009	Needle plate position pin
12	000111201	Hexagon socket screw (4X4)
13	822314002	Nut
14	832014000	Needle plate nut holder
15	000101404	Setscrew 4x6
16	832165007	Stopper plate
17	810220106	Set screw
18	851038009	Stopper
19	825605013	Needle plate set plate
20	825021019	Needle plate set plate (right)
21	825022009	Needle plate adjusting plate
22	000101105	Setscrew 3x4
23	852601105	Free arm cover unit
24	852021105	Free arm cover
25	832003006	Cover setting plate
26	000161103	Setscrew 3x8
27	000103705	Setscrew 4x5
28	851501019	Bed cover unit
29	000162805	Set screw
30	000014306	Snap ring CS-3
31	000103509	Setscrew 4x10
32	830545009	Cable (unit)
33	853502005	Extension table unit
34	852004009	Caution card



Ref.	Part No.	Name
1	853601005	Top cover unit
2	853602006	Top cover unit
3	853005003	Top cover
4	853006004	Reference chart
5	853603007	Top cover base
6	830013003	Top cover hinge
7	830190005	Washer
8	000161103	Setscrew 3x8
9	000080901	Setscrew 4x2.5
10	000081005	Setscrew 4x8
11	822020503	Spool holder J-N47
12	850633018	Handle unit
13	850009019	Handle
14	850010105	Metal bar
15	000197809	Set screw
16	852604005	Face plate unit
17	852006104	Face plate
18	827099003	Face plate sticker
19	832508006	Thread cutter unit
20	000161103	Setscrew 3x8
21	000103200	+ -Bind small screw 4X30
22	653006101	CAP (J-N47)
23	834014202	Handle supporter (front)

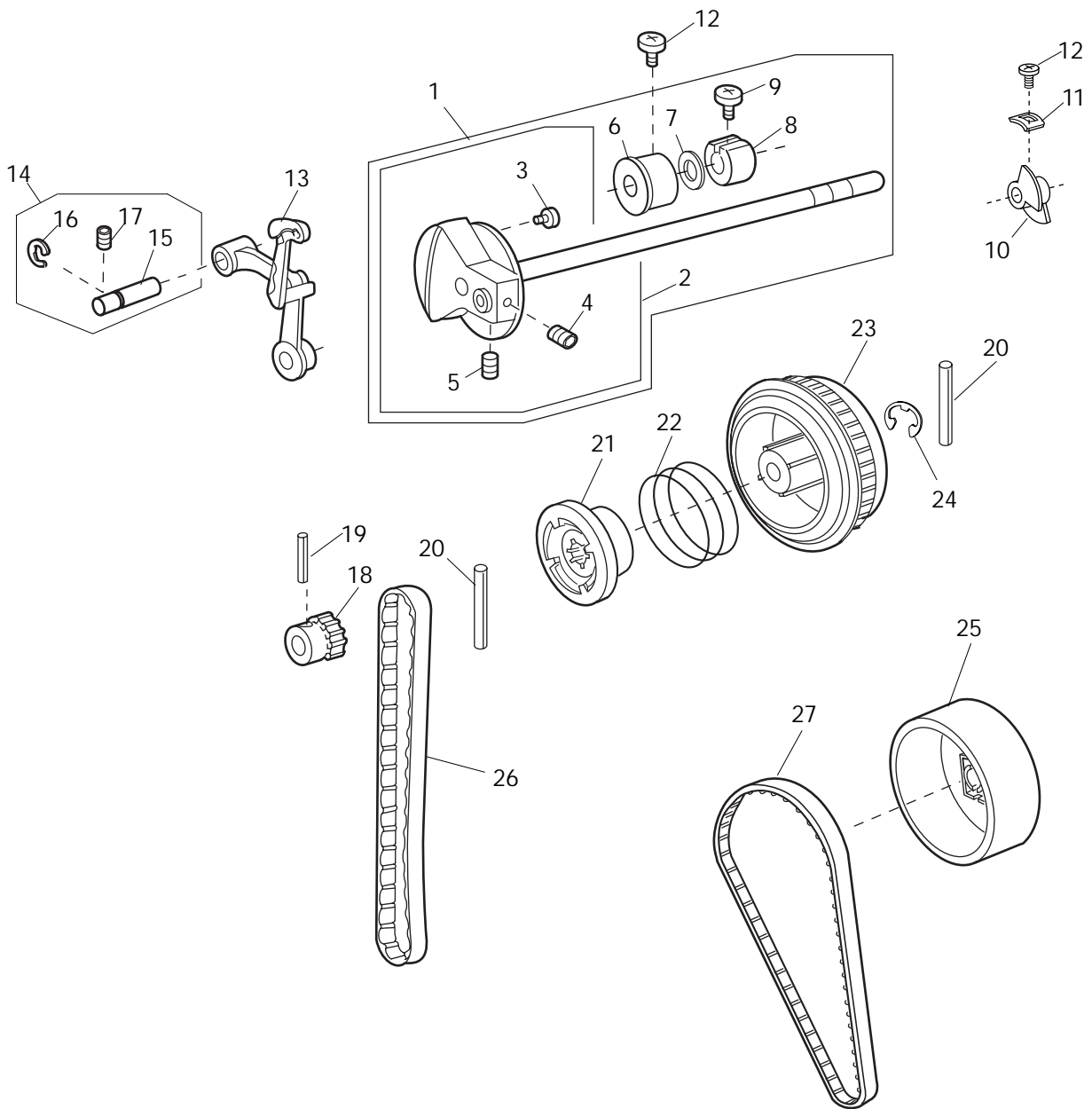


Ref.	Part No.	Name
1	853508104	Needle bar supporter unit
2	853508001	Needle bar supporter unit
3	831001012	Needle bar supporter
4	000111902	Hexagon socket screw 3x4
5	830609208	Needle bar unit
6	751607002	Needle threader posit. Plate
7	734101008	Threader position set plate
8	751016008	Threader positioning holder
9	000097602	Setscrew 2X4
10	853509002	Needle threader unit
11	755062001	Threader frame
12	853026000	Threader lever
13	755067006	Needle threader spring
14	755625008	Needle threader shaft unit
15	755066005	Threader shaft
16	755064003	Threader supporter
17	000003508	Spring pin 2x8
18	755065004	Threader plate
19	755095003	Nut
20	755096004	Set screw
21	000125105	Pin
22	751047008	Needle bar supporter
23	000111201	Hexagon socket screw (4X4)
24	102408089	Needle 15x1#14
25	850662005	Needle bar crank unit
26	650607006	Needle bar crank rod unit
27	650039001	Needle bar crank rod
28	650040005	Felt
29	650041006	Felt holding spring
30	652512009	Needle bar crank pin (unit)
31	823018006	Needle bar supporter shaft
32	822063003	Felt (special cut to size)
33	000036108	Washer 7.2x11x0.5
34	000036603	Washer 5.2x8x0.5
35	000116000	Corrugated washer (7)
36	000001609	Snap ring 5
37	000111108	Hexagon socket screw 4x6
38	853604008	Tension unit
39	853503006	Tension unit
40	830050002	Cushion
41	834173004	Cushion holder
42	000161103	Setscrew 3x8
43	830660001	Thread cutter lever unit
44	830049008	Sensor lever spring
45	000001207	Snap ring
46	852502002	Circuit board G1
47	000101105	Setscrew 3x4
48	834604102	Solenoid unit
49	851516109	Solenoid unit
50	000081005	Setscrew 4x8
51	000101703	Setscrew 4x12
52	850617005	Zigzag rod unit
53	850082005	Zigzag rod
54	823065008	Connector
55	000115308	Setscrew 2x8
56	823066009	Connector shaft
57	000116103	Corrugated washer 4

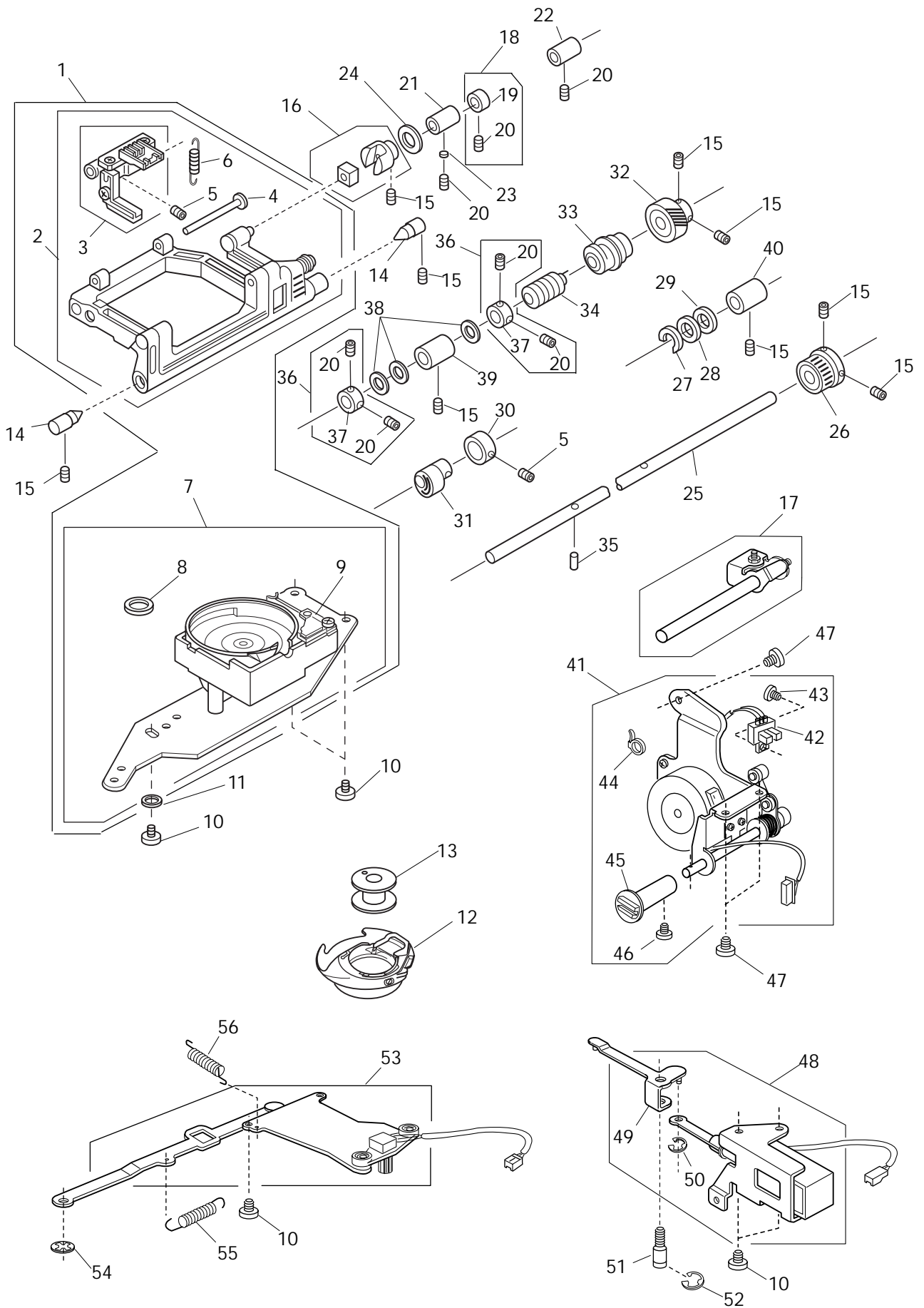




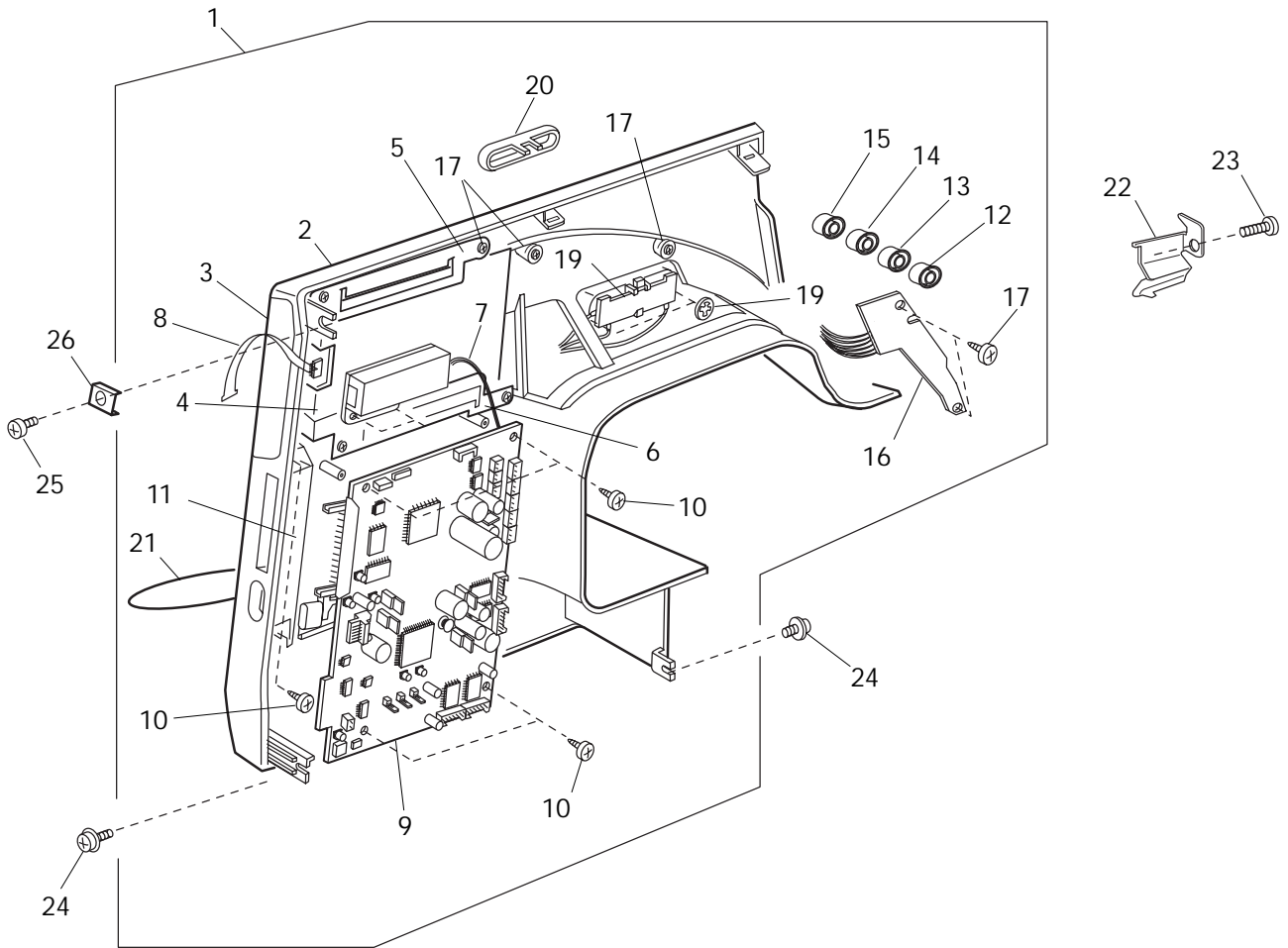
Ref.	Part No.	Name
1	830026010	Pressure adjusting dial
2	830027000	Pressure bar bush
3	830028001	Pressure regulating cam
4	102061008	Darner spring washer
5	830029002	Presser bar
6	830030006	Pressure spring
7	830586024	Presser bar supporter (unit)
8	000111500	Hexagon socket screw 4x8
9	000116608	Washer
10	830035012	Presser bar lifter
11	822072005	Presser bar lifter pin
12	102222009	Darner spring
13	000115629	Setscrew
14	830037025	Tension releasing lever
15	830338007	Thread release lever pin
16	000002507	Snap ring E-4
17	000081027	Setscrew
18	832501009	Presser foot unit
19	825252000	Thumb screw
20	830039027	Arm thread guide
21	000081005	Setscrew 4x8
22	853605009	Front plate unit
23	853025001	Front plate
24	846044002	Sensor set plate
25	000101105	Setscrew 3x4
26	853028002	Insulation paper
27	852502105	Circuit board G1
28	843625107	Buttonhole lever
29	000002105	Snap ring 3
30	830057010	Buttonhole lever guide
31	000103808	Setscrew 3x5
32	830661002	Link
33	830277007	Presser shield plate spring
34	853027001	Sensor set plate
35	852502208	Circuit board G1
36	852039003	Lamp set plate
37	501509404	Lamp socket unit
38	000102900	Setscrew 2x8
39	000026002	Lamp (12V.5W)
40	851045009	Front cover setting plate (2)
41	830585012	Pressure functioning arm unit
42	000014605	Snap ring G-6
43	000001609	Snap ring 5
44	000061205	Nut
45	852621008	Switch
46	853010001	Switch set plate



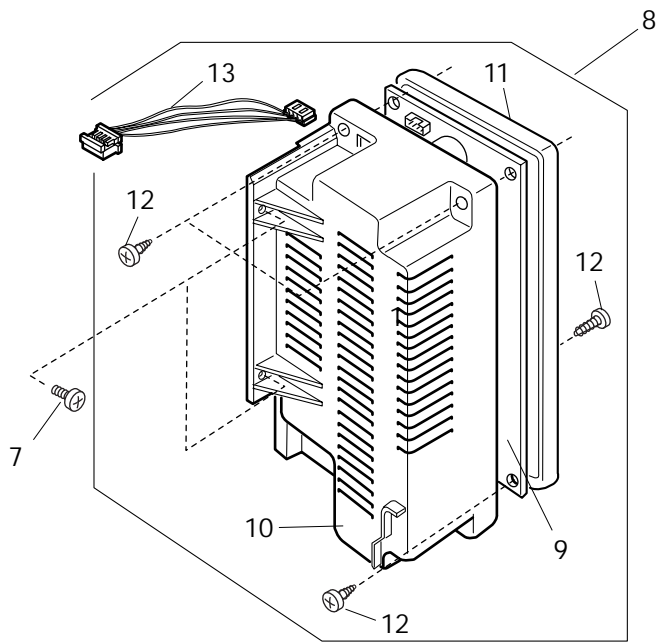
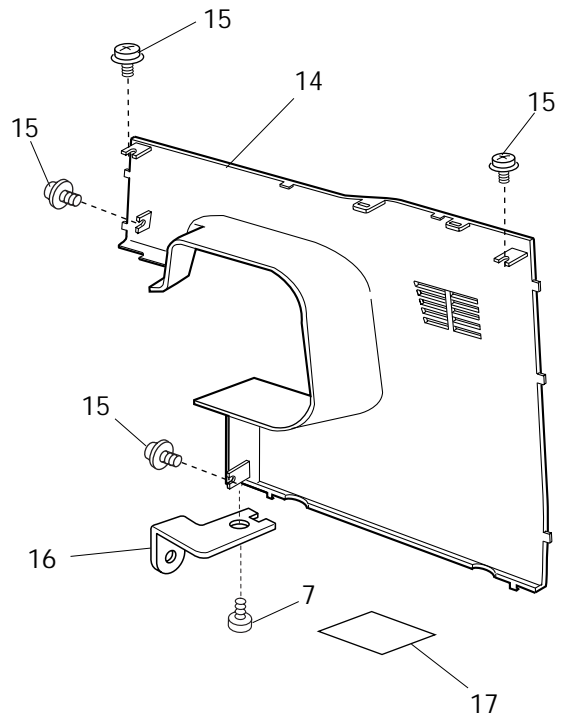
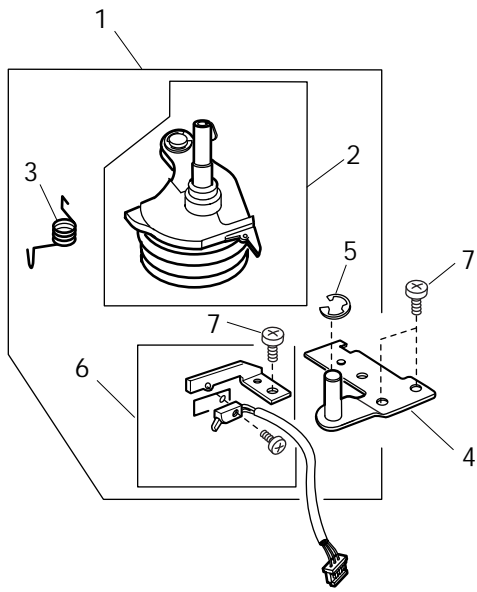
Ref.	Part No.	Name
1	852613007	Upper shaft unit
2	852508008	Upper shaft unit
3	000078319	Setscrew 3x6
4	000110901	Socket screw 5X4
5	000111706	Hexagon socket screw 5x8
6	673061003	**829042007**
7	000038605	Washer
8	821025000	Upper shaft ring
9	000103509	Setscrew 4x10
10	830095010	Shield plate
11	820102009	Washer
12	000081005	Setscrew 4x8
13	820511108	Take up lever unit
14	650626001	Pin unit
15	650062003	Thread take up lever shaft
16	000001702	**000002806**
17	000111201	Hexagon socket screw (4X4)
18	830341003	Upper shaft timing gear
19	000004303	Spring pin (3X20)
20	000024206	Spring pin 3X30
21	502064003	Clutch ring
22	502065004	Clutch spring
23	303025009	Belt wheel
24	000030205	Snap ring E-8
25	502068203	Hand wheel
26	850165003	Motor belt
27	650071005	Timing belt



Ref.	Part No.	Name
1	853612009	Feed rock shaft unit
2	832633104	Feed rock shaft unit
3	832535105	Feed dog set plate unit
4	825099007	Shaft
5	000111108	Hexagon socket screw 4x6
6	825103005	Spring
7	832627105	Hook race unit
8	627190010	Magnet
9	627567001	Hook stopper (unit)
10	000081005	Setscrew 4x8
11	000070506	Plain washer
12	832517204	Bobbin holder unit
13	102261103	Plastic bobbin
14	738055008	Straight pin
15	000111304	Hexagon socket screw 5x5
16	625508008	Feed regulator unit
17	850614105	Feed arm unit
18	820673006	Ring unit
19	820387000	Ring
20	000111201	Hexagon socket screw (4X4)
21	625144002	Feed shaft bushing (Front)
22	650092002	Feed shaft bushing (rear)
23	650175000	Screw base
24	823110009	Felt (Special size to cut felt
25	850071001	Lower shaft
26	822113009	Lower shaft belt wheel
27	822112008	Felt holder (1)
28	822070003	Felt (Special cut to size felt
29	000036201	Washer 8.2x12x0.5
30	810092004	Ring
31	825091102	Feed cam
32	650076000	Lower shaft gear
33	825092000	Feed lifting cam
34	825093001	Spring
35	820161006	Feed lifting pin
36	820672005	Lower shaft ring unit
37	820166001	Ring
38	000038502	Washer 8X0.5
39	650078002	Lower shaft bushing (front)
40	650079003	Lower shaft bushing (rear)
41	853610007	Feed stepping motor unit
42	852511406	Circuit board G2
43	000115401	TP screw 3x4
44	000053008	Grip band
45	832087004	Feed balance dial
46	000115009	Setscrew 3x8
47	000101404	Setscrew 4x6
48	850645013	Solenoid unit
49	850083006	Bobbin thread sensor arm
50	000002105	Snap ring 3
51	832097018	Hinge screw
52	000002507	Snap ring E-4
53	850618109	Sensor set plate
54	000013707	Snap ring CS-2.4
55	850089002	Spring
56	850212017	Spring

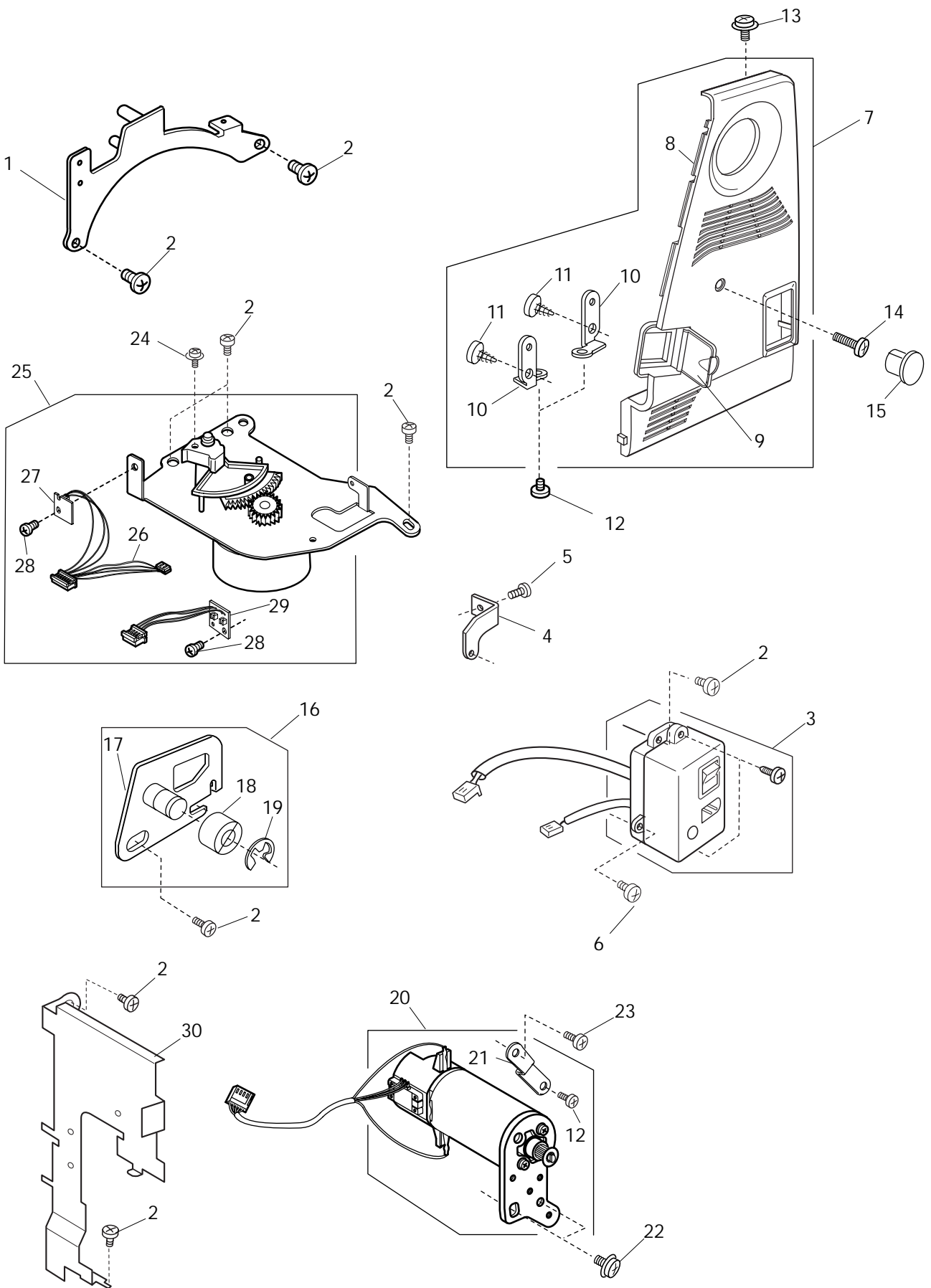


Ref.	Part No.	Name
1	853606000	Front cover unit
2	853012106	Front cover
3	853013107	Ornamental plate
4	853607001	LCD unit
5	852017005	LCD set plate
6	852611005	LCD set plate
7	850524004	Inverter harness unit
8	852505005	LCD harness unit
9	853609003	Circuit board A
10	000076317	Set screw 3x10-2V
11	852019007	Card guide
12	852020104	Start-stop button
13	850059128	Button
14	850059221	Button
15	850059324	Button
16	853501004	Circuit board F
17	000120203	Tapping screw 3x8(B)
18	653507004	Sliding lever
19	000014306	Snap ring CS-3
20	845027109	Speed control lever
21	853015006	Emblem
22	825183010	Arm thread guide (lower)
23	000096508	+Pan head small screw 3.5X25
24	000115607	TP screw
25	000066705	Set screw 3x8
26	832177002	Washer

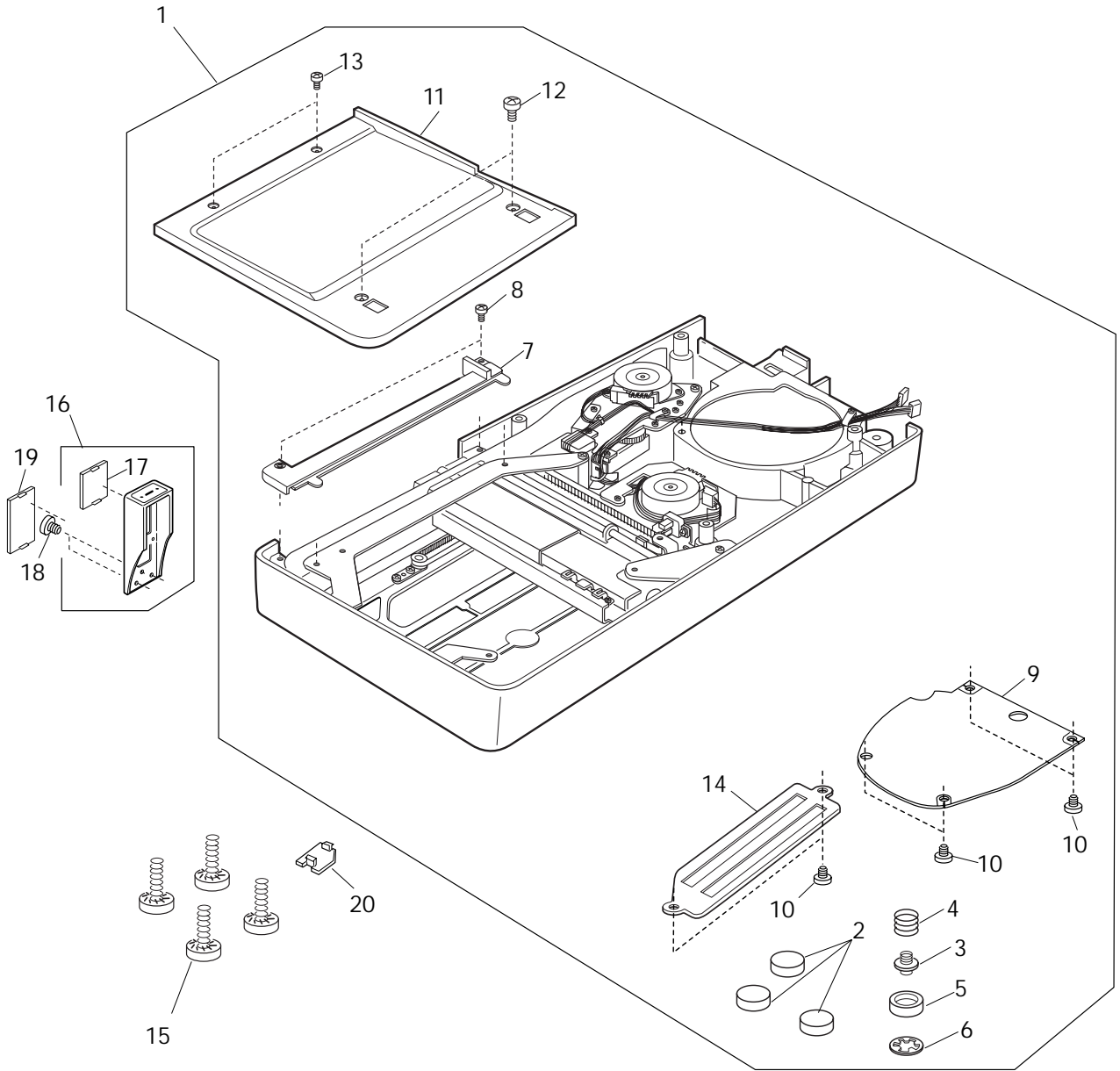




Ref.	Part No.	Name
1	853613000	Bobbin winder unit
2	853506009	Bobbin winder unit
3	823119008	Bobbin winder spring
4	852029103	Bobbin winder base
5	000001609	Snap ring 5
6	852615009	Switch unit
7	000081005	Setscrew 4x8
8	850628205	Voltage control unit
9	850541018	Voltage control unit
10	850157024	Case
11	850158014	Lid
12	000119704	Setscrew
13	850523003	Power supply harness
14	853002103	Rear cover
15	000115607	TP screw
16	853021005	Rear cover set plate
17	850201002	Carriage sticker



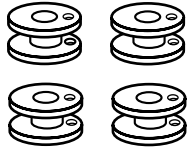
Ref.	Part No.	Name
1	852032006	Handle supporter (rear)
2	000081005	Setscrew 4x8
3	845503104	Machine socket unit
4	852036000	Set plate
5	810220106	Set screw
6	000101817	Setscrew 4x16
7	853614001	Belt cover unit
8	852031108	Belt cover
9	853022006	Cover
10	832099009	Belt cover setting plate
11	000161103	Setscrew 3x8
12	000066705	Setscrew 3x8
13	000115009	Setscrew 3x8
14	000104108	Setscrew 4x20
15	653006101	CAP (J-N47)
16	851617008	Idler unit
17	851039000	Idler base
18	625217100	Idler
19	000002806	Snap ring (6)
20	080270207	Motor unit
21	850205006	Set plate
22	000115607	TP screw
23	000101404	Setscrew 4x6
24	000115308	Setscrew 2x8
25	853611008	Zigzag stepping motor unit
26	850506608	Motor harness unit
27	852511509	Circuit board G2
28	000101105	Setscrew 3x4
29	843505203	Circuit board P
30	853023007	Guide plate



Ref.	Part No.	Name
1	852617001	Base unit
2	830150003	Rubber cushion
3	820350004	Adjusting screw
4	820351005	Spring
5	605074008	Rubber foot
6	813123004	Snap ring CS
7	850146008	Cover
8	000066727	Setscrew 3X8
9	850151017	Lid
10	810220106	Set screw
11	851053103	Cover
12	000101426	Set screw
13	000101127	Setscrew 3x4
14	832146002	Base lid (1)
15	000127107	Screw with toothed washer6X35
16	850627008	Carriage plate unit
17	850169007	Lid
18	000078319	Setscrew 3x6
19	850156001	Carriage cover lid
20	851071004	Lid

1

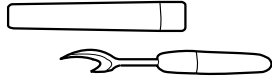
2



3



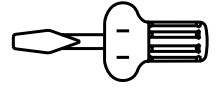
4



5



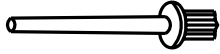
6



7



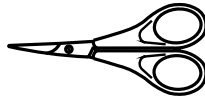
8



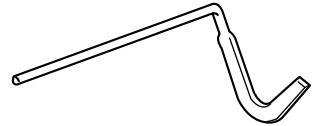
9



10



11



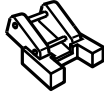
12



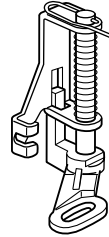
13



14



15



16



17



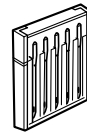
18



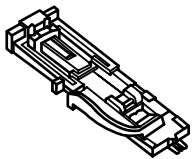
19



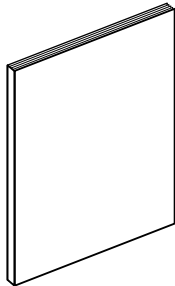
20



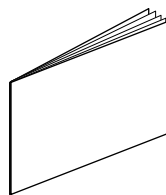
21



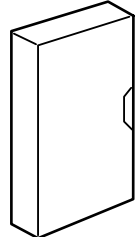
22



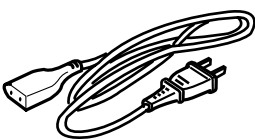
23



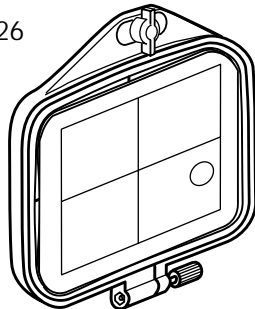
24



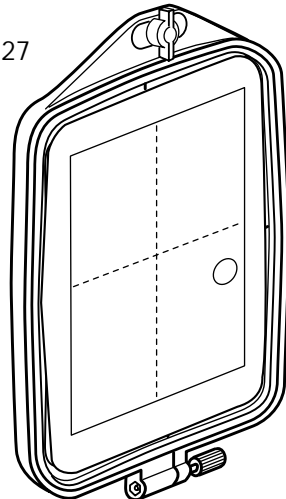
25



26



27



Ref.	Part No.	Name
1	853871008	Set of accessories
2	102261103	Plastic bobbin
3	102403109	Spool pin felt
4	560406104	Seam ripper (unit)
5	802424004	Lint brush
6	653802002	Screw driver (L)
7	820832005	Screwdriver (large)
8	625031500	Spool pin (2) N-47
9	822019509	Spool holder J-N47
10	822814007	Scissors
11	802422002	Quilting guide
12	829801002	Zipper foot (unit)
13	822808008	Overlock foot
14	802406011	Button sewing foot unit
15	830856006	Darning foot (unit)
16	822804118	Satin foot unit
17	825817009	Blind stitch foot
18	830810031	Embroidery foot (P)
19	822801001	Overlock foot
20	832832002	Needle case unit
21	830823118	Sliding BH foot (R)
22	853803009	Instruction book (English)
	853803102	Instruction book (Dutch)
	853803205	Instruction book (French)
	853803308	Instruction book (German)
	853803401	Instruction book (Spanish)
	853803504	Instruction book (Portuguese)
	853803607	Instruction book (Italy)
	853803700	Instruction book (Swedish)
	853803803	Instruction book (Finnish)
	853803906	Instruction book (Russian)
23	853804000	Template unit
24	853805001	Instructional video CD
25	653524007	Power supply cord unit (CSA)
26	852807000	Embroidery hoop "A"
27	850802009	Embroidery hoop unit "B"