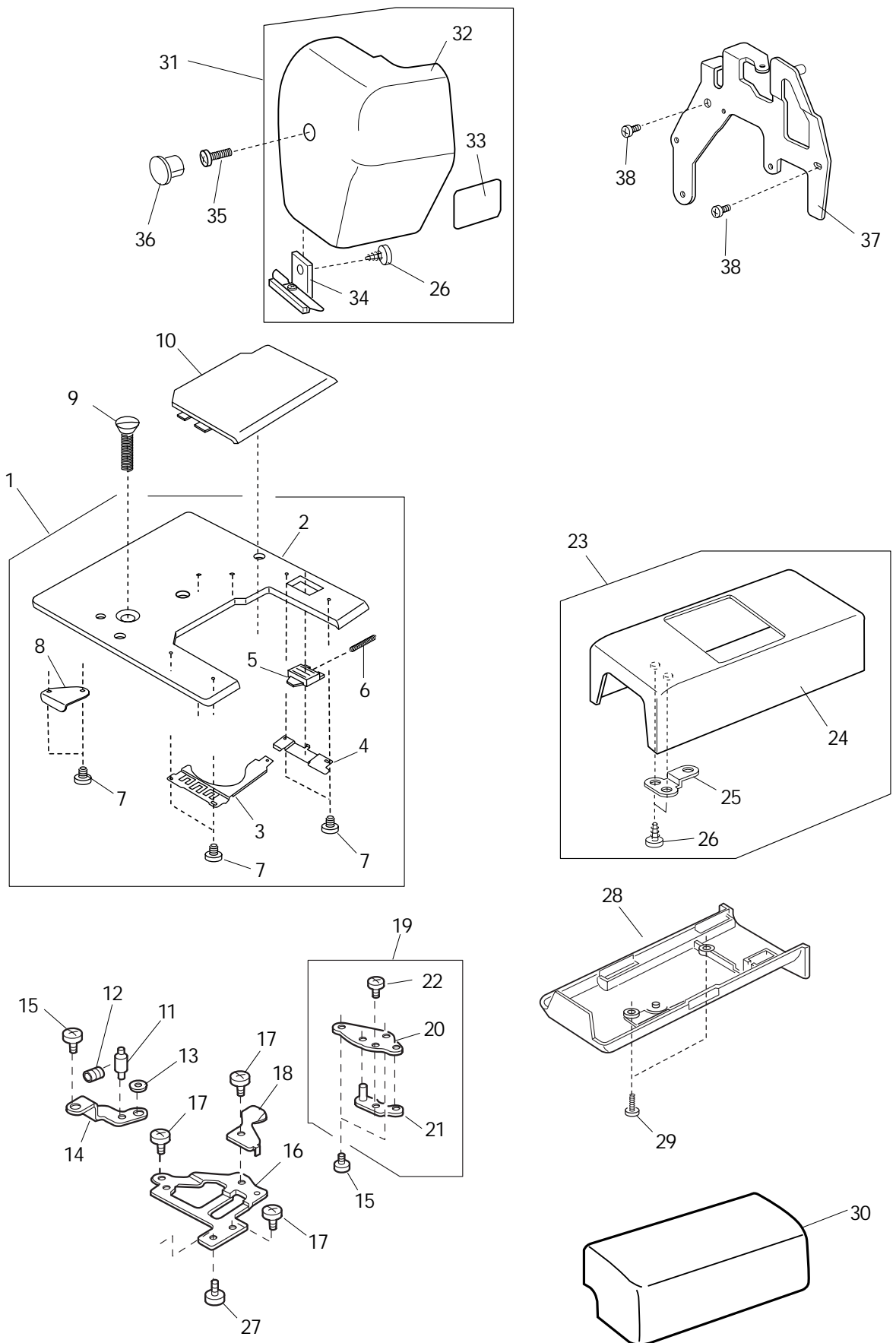
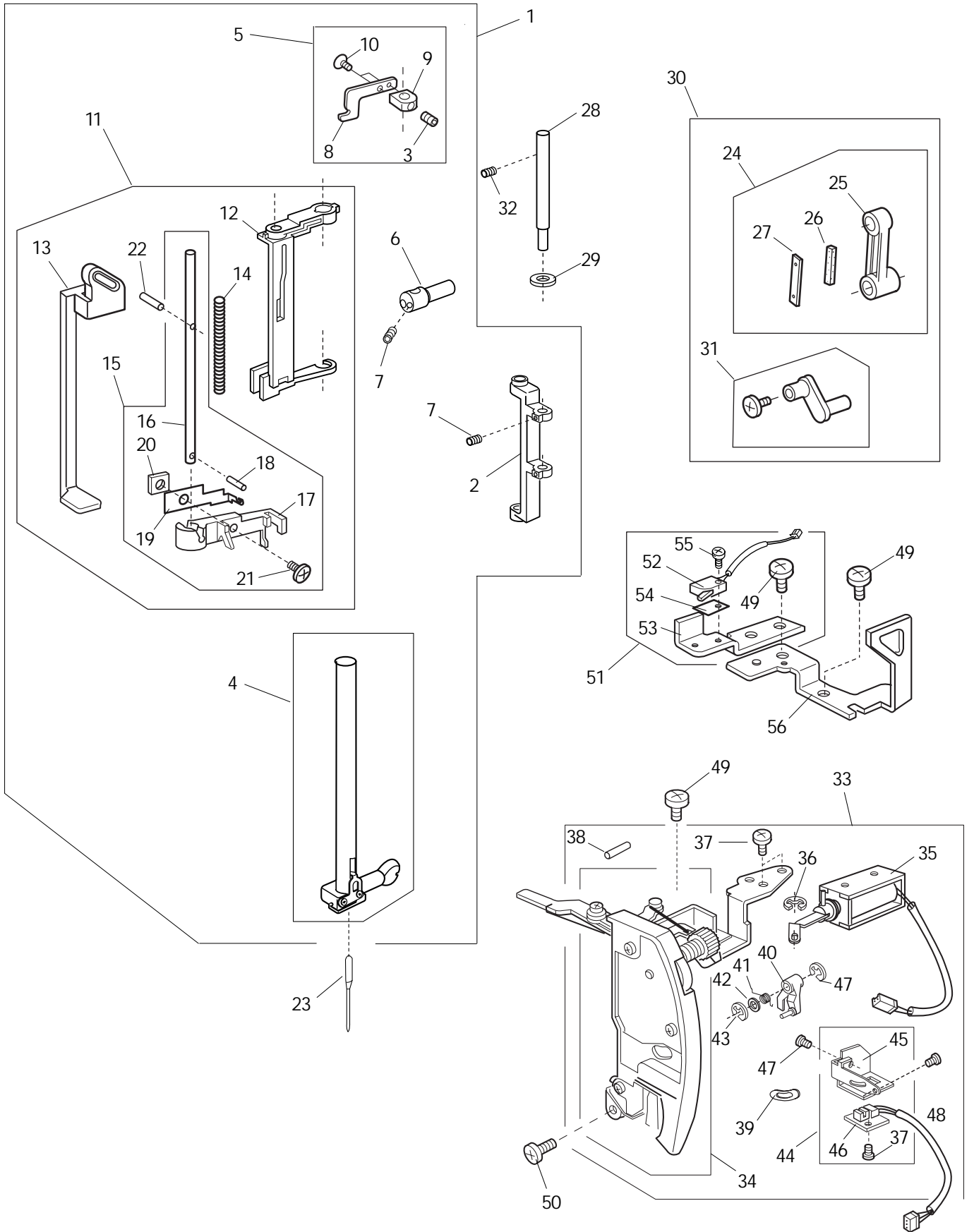


# PARTS LIST

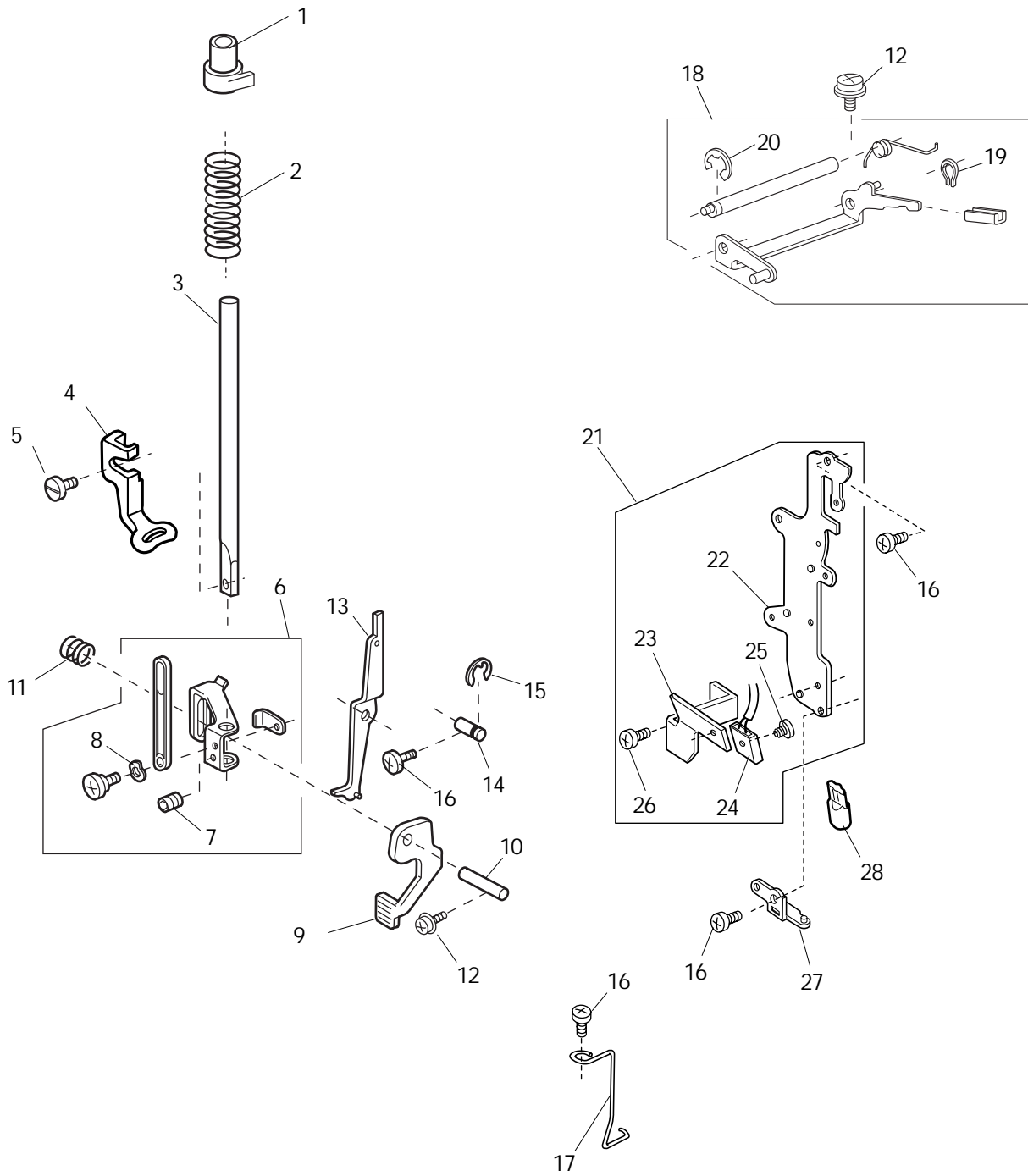
MEMORY CRAFT 300E



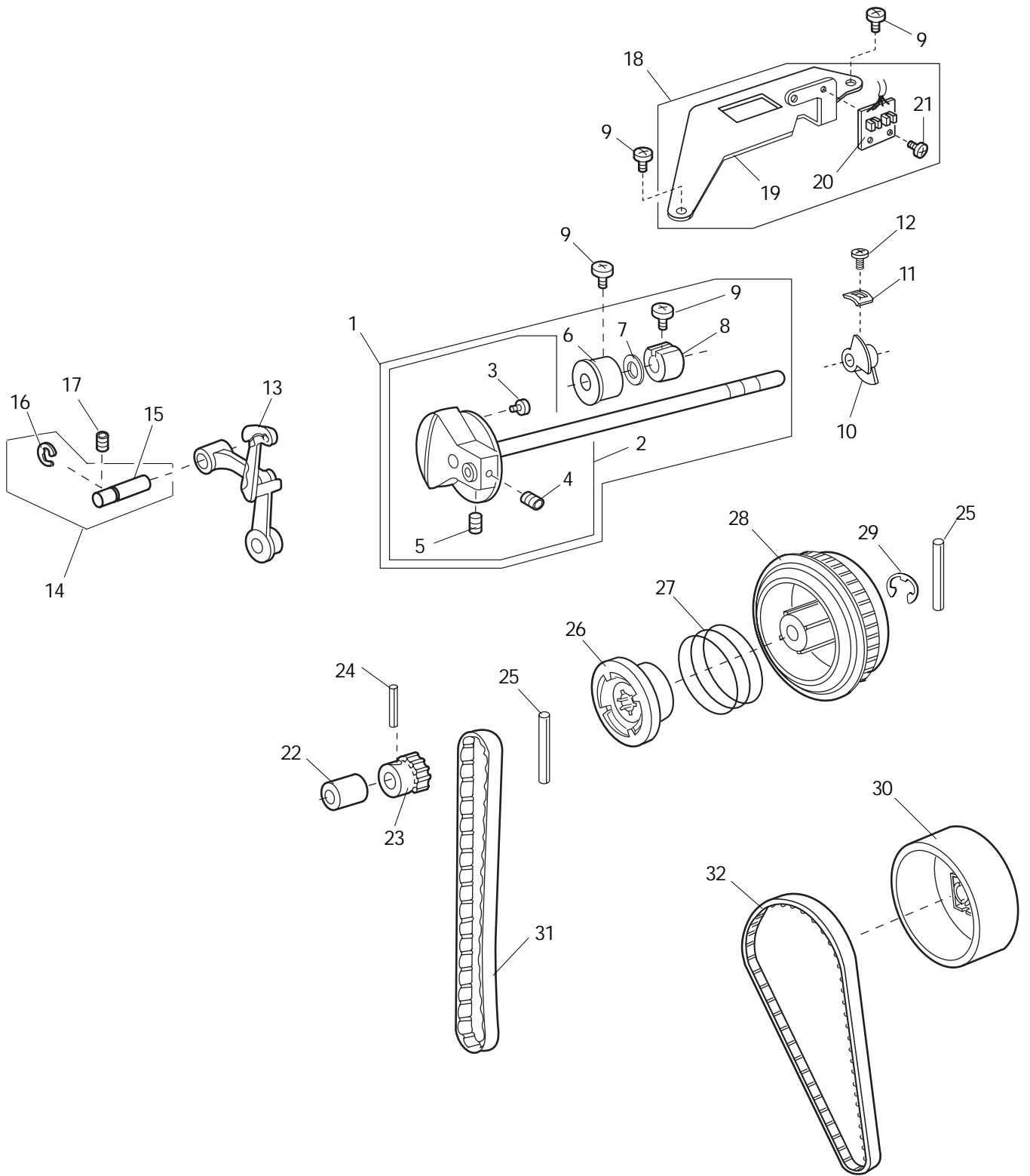
Ref.	Part No.	Name
1	852603004	Needle plate unit
2	852005000	Needle plate
3	832235010	Hook cover plate supporter (left)
4	825015010	Hook cover plate supporter (right)
5	825016000	Hook cover plate release button
6	825017001	Spring
7	000169709	Setscrew 2 x 2.3
8	654078004	Bobbin holder stopper
9	820390006	Needle plate setscrew
10	825018035	Hook cover
11	832013009	Needle plate position adjusting pin
12	000111201	Setscrew
13	822314002	Nut
14	832014000	Needle plate nut holder
15	000101404	Setscrew 4 x 6
16	832165007	Stopper plate
17	810220106	Setscrew
18	851038009	Stopper
19	825605013	Needle plate set plate (right) unit
20	825021019	Needle plate set plate (right)
21	825022009	Needle plate position adjusting plate
22	000101105	Setscrew 3 x 4
23	852601002	Free arm cover unit
24	852021002	Free arm cover
25	832003006	Cover fixing plate
26	000161103	Setscrew 3 x 6
27	000103705	Setscrew 4 x 5
28	851004017	Bed cover
29	000103509	Setscrew 4 x 10
30	852003008	Extension table (accessory storage)
31	852604005	Face cover unit
32	852006104	Face cover
33	827099003	Face cover reflection plate
34	832508006	Thread cutter unit
35	000161103	Setscrew 4 x 30
36	653006101	Cap
37	834014202	Handle set plate
38	000081005	Setscrew 4 x 8



Ref.	Part No.	Name
1	852605109	Needle bar supporter unit
2	751014006	Needle bar supporter
3	000111902	Setscrew 3 x 4
4	830609105	Needle bar unit
5	751607002	Needle threader setting plate unit
6	751047008	Needle bar connecting stud
7	000111201	Setscrew 4 x 4
8	734101008	Needle threader setting plate
9	751016008	Needle threader setting block
10	000097602	Setscrew 2 x 4
11	755626010	Needle threader unit
12	755062001	Threader frame
13	755063002	Threader lever
14	755067006	Threader spring
15	755625008	Threader shaft unit
16	755066005	Threader shaft
17	755064003	Threader supporter
18	000003508	Spring pin 2 x 8
19	755065004	Threader plate
20	755095003	Nut
21	755096004	Setscrew
22	000125105	Pin with groove
23	813404013	Needle (stretch)
24	650607006	Needle bar crank rod unit
25	650039001	Needle bar crank rod
26	650040005	Felt
27	650041006	Spring
28	852007002	Needle bar supporter shaft
29	852008003	Washer
30	850662005	Needle bar crank unit
31	652512009	Needle bar crank pin unit
32	000111108	Setscrew 4 x 6
33	852606007	Thread tension unit
34	852501001	Thread tension unit
35	851625102	Solenoid unit
36	000002105	Snap ring E-3
37	000101105	Setscrew 3 x 4
38	000005809	Spring pin
39	830050002	Cushion
40	830660001	Thread detection lever unit
41	834193000	Detection lever spring
42	000071013	Washer 4
43	000001207	Snap ring E-2.5
44	852607008	Sensor base plate unit
45	852012000	Sensor fixing plate
46	852502002	Printed circuit board g1 unit
47	000103808	Setscrew 3 x 5
48	000161103	Setscrew 3 x 6
49	000081005	Setscrew 4 x 8
50	000101703	Setscrew 4 x 12
51	852621008	Presser bar lifter switch unit
52	852510106	Micro switch unit
53	852013001	Switch fixing plate 1
54	852014002	Insulating paper
55	000041209	Setscrew 1.7 x 6
56	852037001	Presser bar switch fixing base

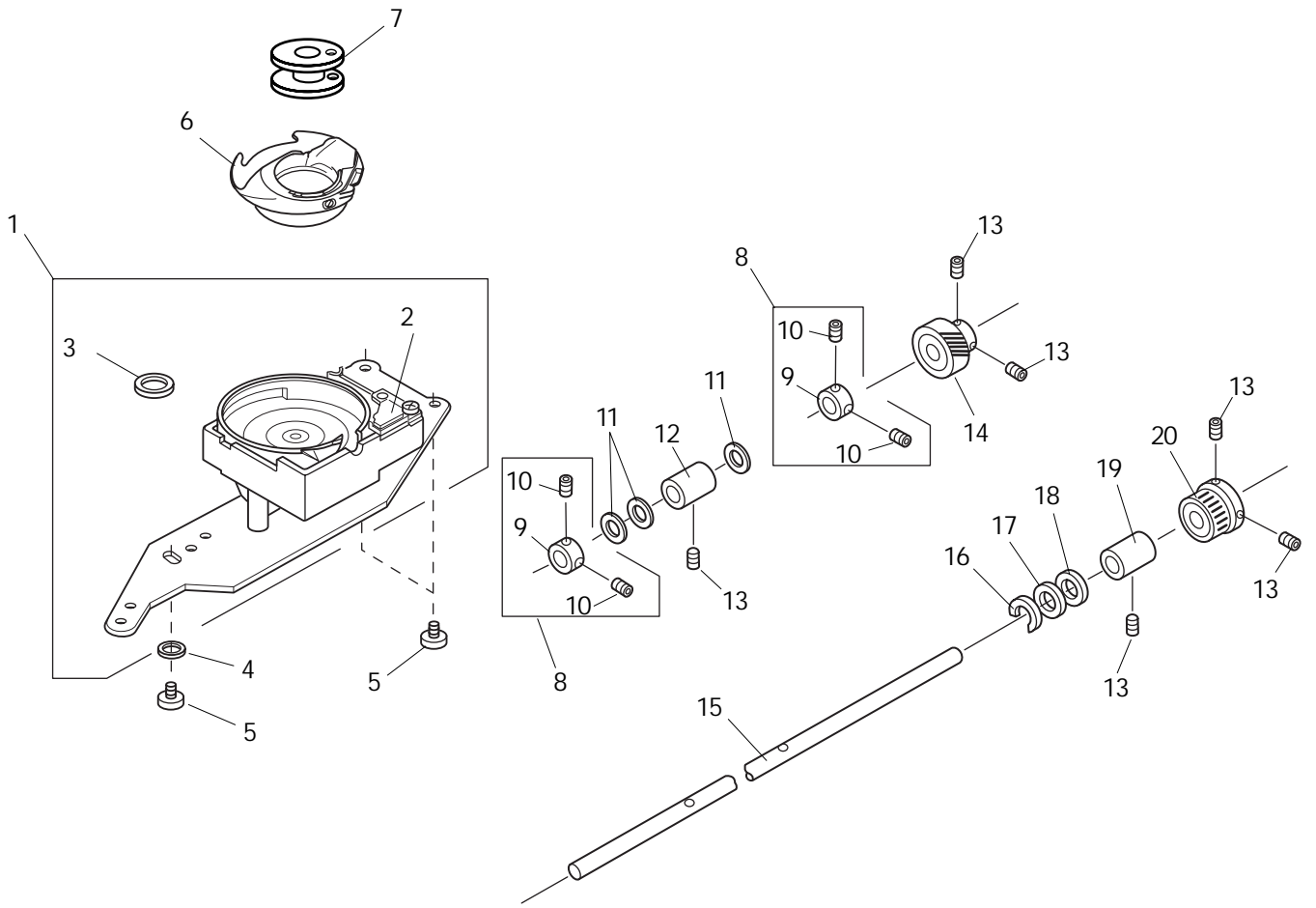


Ref.	Part No.	Name
1	852009004	Presser bar bushing
2	830030006	Presser bar spring
3	830029002	Presser bar
4	830810031	Embroidery foot
5	763048006	Setscrew
6	830586024	Presser bar supporter
7	000111500	Setscrew 4 x 8
8	000116608	Wave washer
9	830035012	Presser bar lifter
10	822072005	Presser bar lifter pin
11	102222009	Spring
12	000115629	TP screw 4 x 8
13	830037025	Tension releasing lever
14	830338007	Tension releasing lever pin
15	000002507	Snap ring E-4
16	000081027	Setscrew 4 x 8
17	830039027	Arm thread guide
18	830585012	Presser bar actuator arm unit
19	000014605	Grip ring 6
20	000001609	Snap ring E-5
21	852608009	Front set plate unit
22	852015003	Front set plate
23	852039003	Lamp fixing plate
24	501509404	Lamp socket unit
25	000102900	Setscrew 2 x 8
26	000103808	Setscrew 3 x 5
27	851045009	Threader guide
28	000026002	Wedge base lamp 12v, 5w





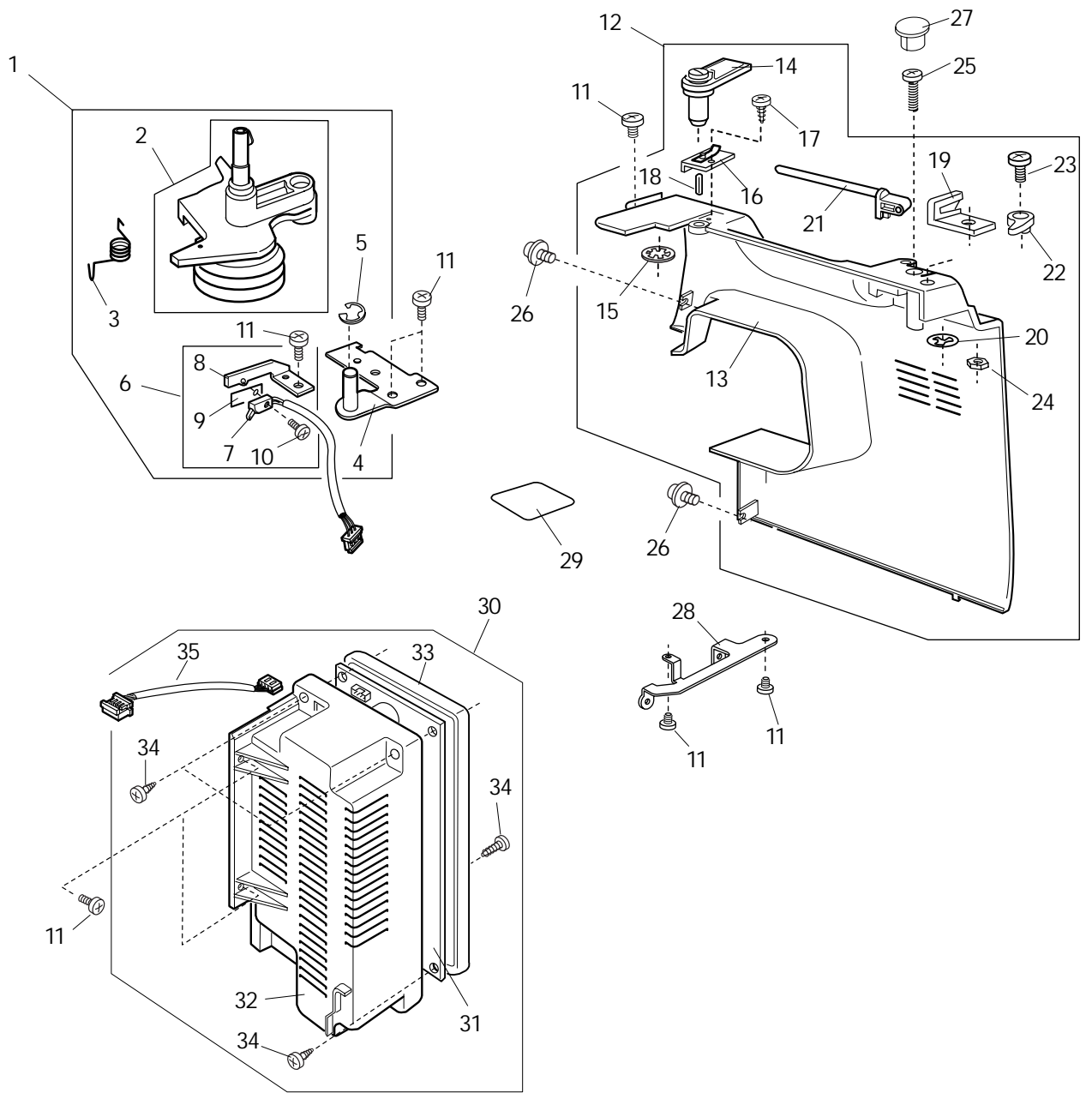
Ref.	Part No.	Name
1	852613007	Upper shaft unit
2	852508008	Upper shaft unit
3	000078319	Setscrew 3 x 6
4	000110901	Setscrew 5 x 4
5	000111706	Setscrew 5 x 8
6	673061003	Upper shaft front bushing
7	000038605	Washer
8	821025000	Upper shaft ring
9	000103509	Setscrew 4 x 10
10	830095010	Upper shaft shield plate
11	820102009	Washer
12	000081005	Setscrew 4 x 8
13	820511108	Thread take-up lever unit
14	650626001	Pin unit
15	650062003	Pin
16	000001702	Snap ring E-6
17	000111201	Setscrew 4 x 4
18	852622009	Upper shaft sensor unit
19	852038002	Upper shaft sensor fixing plate
20	843505100	Printed circuit board p unit
21	000101105	Setscrew 3 x 4
22	851062002	Upper shaft rear bushing
23	830341003	Upper shaft timing gear
24	000004303	Spring pin 3 x 20
25	000024206	Spring pin 3 x 30
26	502064003	Clutch ring
27	502065004	Clutch spring
28	303025009	Belt wheel
29	000030205	Snap ring E-8
30	502068100	Hand wheel
31	650071005	Timing belt
32	850165003	Timing belt



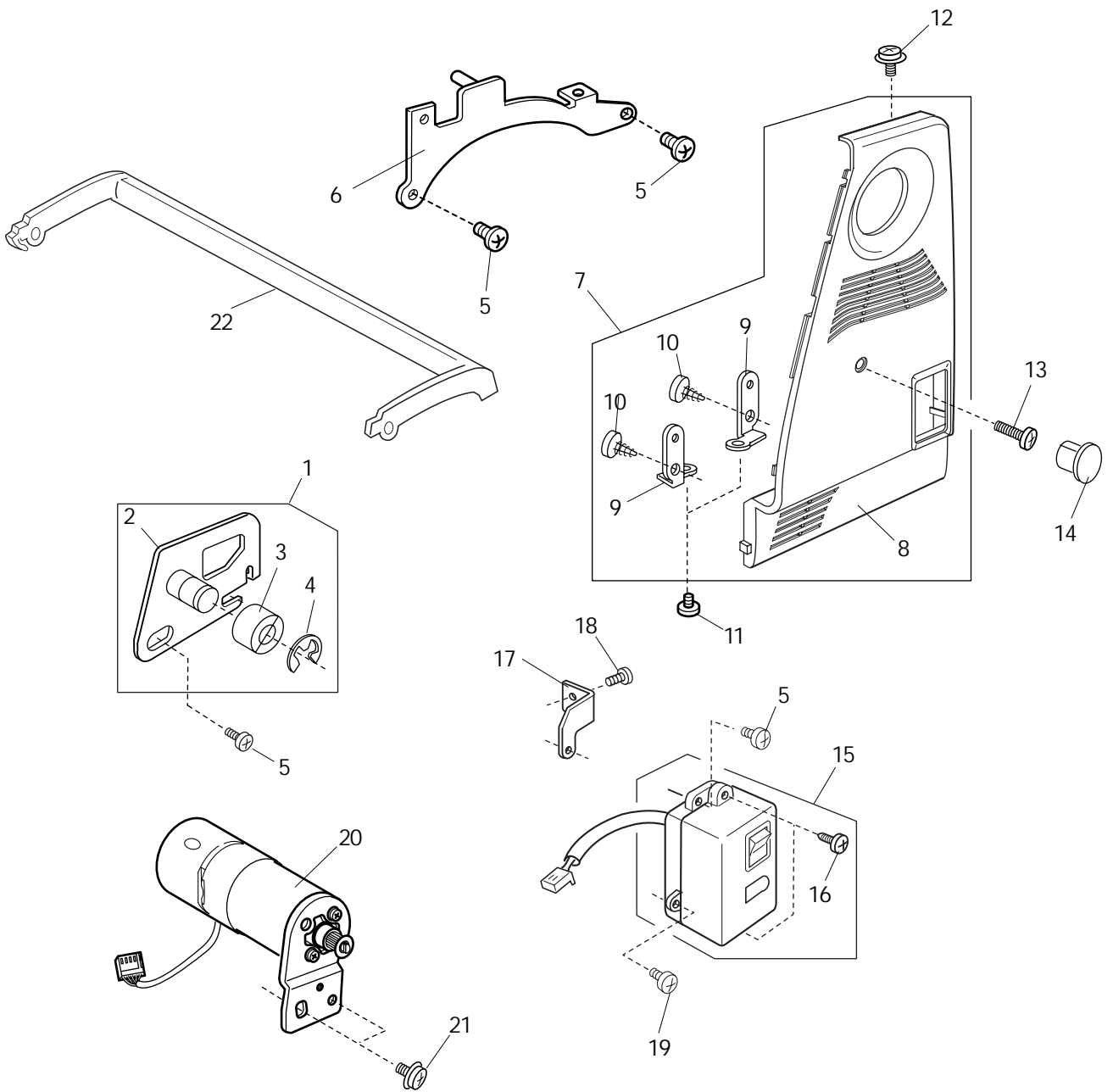
Ref.	Part No.	Name
1	832627301	Hook race unit
2	627567001	Bobbin holder stopper unit
3	627190010	Magnet
4	000070506	Plain washer
5	000081005	Setscrew 4 x 8
6	627569405	Bobbin holder
7	102261103	Bobbin
8	820672005	Lower shaft ring unit
9	820166001	Lower shaft ring
10	000111201	Setscrew 4 x 4
11	000038502	Washer
12	650078002	Lower shaft bushing (front)
13	000111304	Setscrew 5 x 5
14	650076000	Lower shaft gear
15	850071001	Lower shaft
16	822112008	Felt holder (1)
17	822070003	Felt (1)
18	000036201	Thrust washer
19	650079003	Lower shaft bushing (rear)
20	822113009	Lower shaft timing gear



Ref.	Part No.	Name
1	852609000	Front cover unit
2	852016107	Front cover
3	852610004	LCD unit
4	852017005	LCD fixing plate (upper)
5	852611005	LCD fixing plate (lower)
6	850612103	Inverter unit
7	852505005	LCD harness unit
8	852612006	Printed circuit board a unit
9	000076317	Setscrew 3 x 10
10	852019007	Card guide
11	852020104	Start/stop button
12	852507007	Printed circuit board f unit
13	000120203	Setscrew 3 x 8
14	852022003	Emblem
15	825183010	Arm thread guide (lower)
16	000096508	Setscrew 3.5 x 25
17	000115607	TP screw 4 x 8
18	000066705	Setscrew 3 x 8
19	832177002	Washer
20	852023004	Ornamental plate
21	850524004	Inverter harness unit

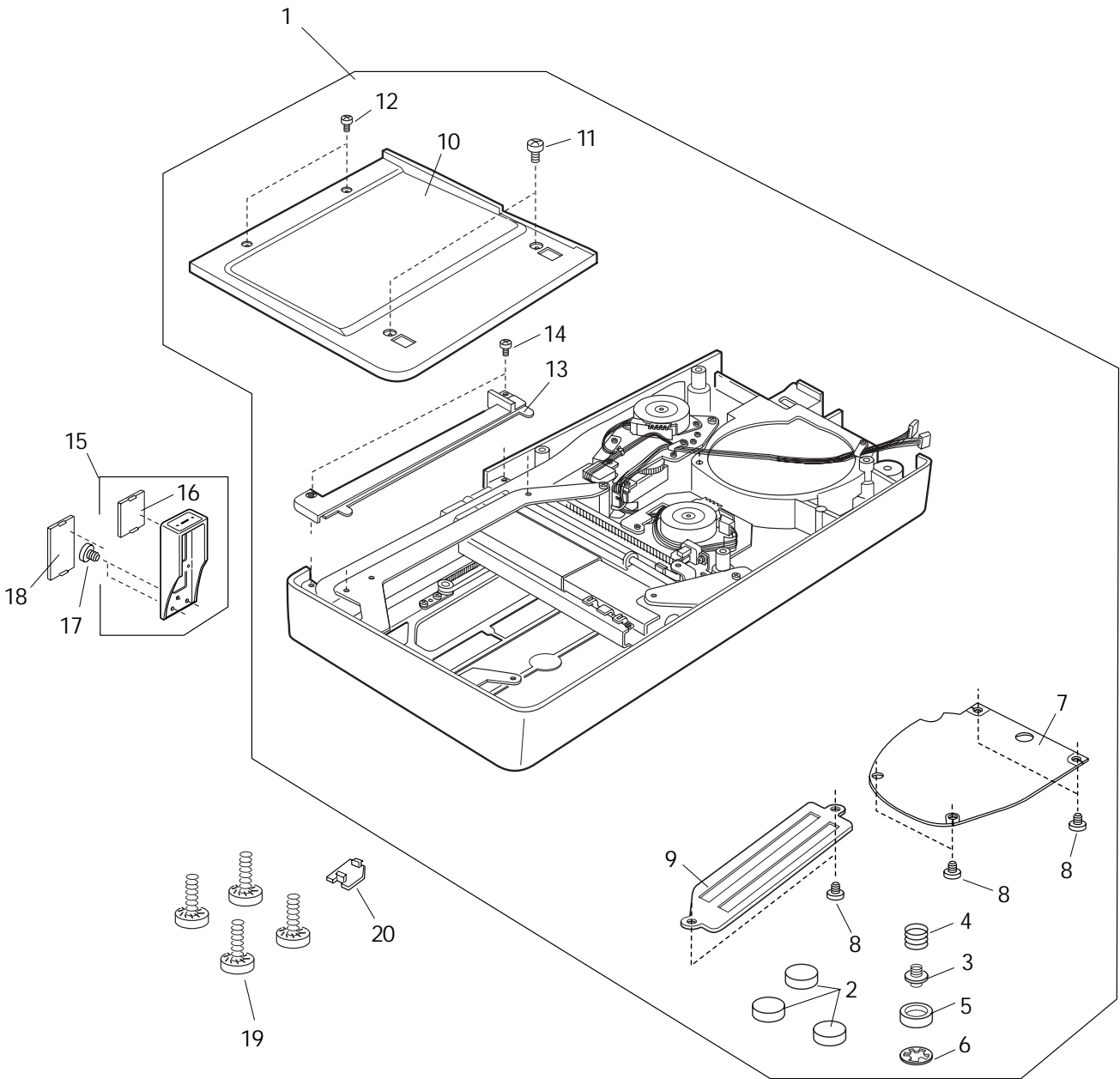


Ref.	Part No.	Name
1	852614008	Bobbin winder unit
2	852509009	Bobbin winder unit
3	823119008	Spring
4	852029000	Bobbin winder base plate
5	000001609	Snap ring E-5
6	852615009	Bobbin winder switch unit
7	852510003	Micro switch unit
8	852042009	Switch fixing plate
9	852014002	Insulation paper
10	000041209	Setscrew 1.7 x 6
11	000081005	Setscrew 4 x 8
12	852602003	Rear cover unit
13	852002100	Rear cover
14	650503702	Thread guide unit
15	000014409	CS ring 8
16	834555015	Top cover thread guide unit
17	000162001	Setscrew 2.6 x 5
18	000020202	Spring pin
19	840602109	Thread cutter unit
20	000014306	Snap ring E-3
21	659067005	Spool pin
22	540048308	Bobbin winder stopper
23	000101828	Setscrew 4 x 16
24	000061205	Hexagonal nut
25	000103200	Setscrew 4 x 30
26	000115205	TP screw 4 x 6
27	653006101	Cap
28	834005004	Cover fixing plate
29	850201002	Carriage sticker
30	850628205	Switching power supply unit
31	850541018	Switching power supply unit
32	850157024	Switching power supply case
33	850158014	Switching power supply cover
34	000119704	Setscrew 3 x 14
35	850523003	Power supply harness unit



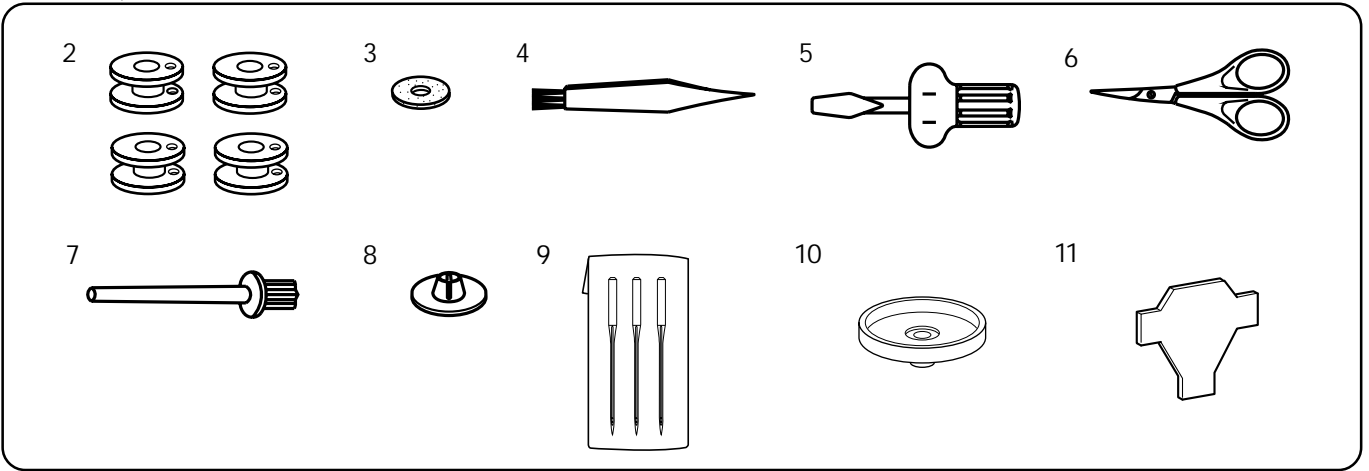


Ref.	Part No.	Name
1	851617008	Idler unit
2	851039000	Idler plate
3	625217100	Idler
4	000002806	Snap ring E-6
5	000081005	Setscrew 4 x 8
6	852032006	Handle base plate (rear)
7	852616000	Belt cover unit
8	852031005	Belt cover
9	832099009	Belt cover fixing plate 1
10	000161103	Setscrew 3 x 6
11	000066705	Setscrew 3 x 8
12	000115009	TP screw 3 x 8
13	000104108	Setscrew 4 x 20
14	653006101	Cap
15	852513006	Machine socket unit for U.S.A. and Canada
	852514007	Machine socket unit for Australia, U.K. and Continental Europe
16	000107802	Setscrew 3 x 10
17	852036000	Machine socket fixing plate
18	810220106	Setscrew
19	000101817	Setscrew 4 x 16
20	852620007	Dc motor
21	000115607	TP screw 4 x 8
22	850633029	Handle unit

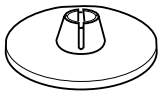


Ref.	Part No.	Name
1	852617001	Base unit
2	830150003	Rubber cushion
3	820350004	Adjusting screw
4	820351005	Spring
5	605074008	Rubber cushion
6	813123004	CS ring
7	850151017	Base lid
8	810220106	Setscrew
9	832146002	Base lid (1)
10	851053103	Base cover
11	000101426	Setscrew 4 x 6
12	000101127	Setscrew 3 x 4
13	850147205	Sheet cover
14	000066727	Setscrew 3 x 8
15	850627101	Carriage plate unit
16	850169007	Carriage cover plate (2)
17	000078319	Setscrew 3 x 6
18	850156001	Carriage cover plate
19	000127107	Setscrew 6 x 35
20	851071004	Base lid (3)

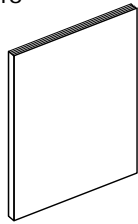
1



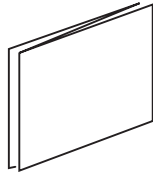
12



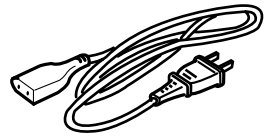
13



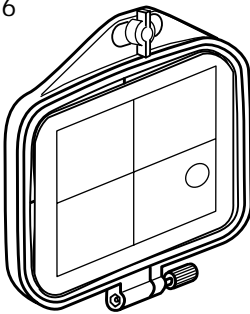
14



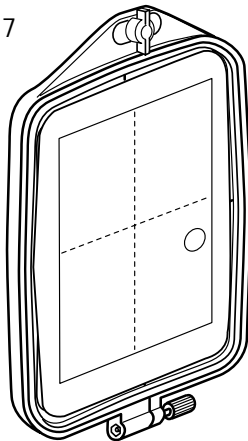
15



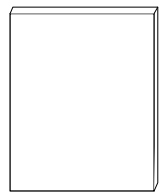
16



17



18



Ref.	Part No.	Name
1	852801004	Accessory unit
2	102261103	Bobbin
3	102403109	Felt
4	802424004	Brush
5	820832005	Screwdriver (large)
6	822814007	Scissors
7	625031500	Spool pin
8	822019509	Spool holder (small)
9	852802005	Needle case
10	829803004	Spool holder base
11	653802002	Screwdriver
12	822020514	Spool holder (large)
13	852804007	Instruction book (English)
	852804100	Instruction book (Dutch)
	852804203	Instruction book (French)
	852804306	Instruction book (German)
	852804409	Instruction book (Spanish)
	852804502	Instruction book (Portuguese)
	852804605	Instruction book (Italy)
	852804708	Instruction book (Swedish)
	852804801	Instruction book (Finnish)
	852804904	Instruction book (Russian)
14	852805008	Template sheet
15	653524007	Power supply cord for U.S.A. and Canada
	830314018	Power supply cord for Australia
	830335004	Power supply cord for Continental Europe
	830377008	Power supply cord for U.K.
16	852807000	Embroidery hoop unit (A)
17	850802009	Embroidery hoop unit (B)
18	852816006	Instructional movie CD