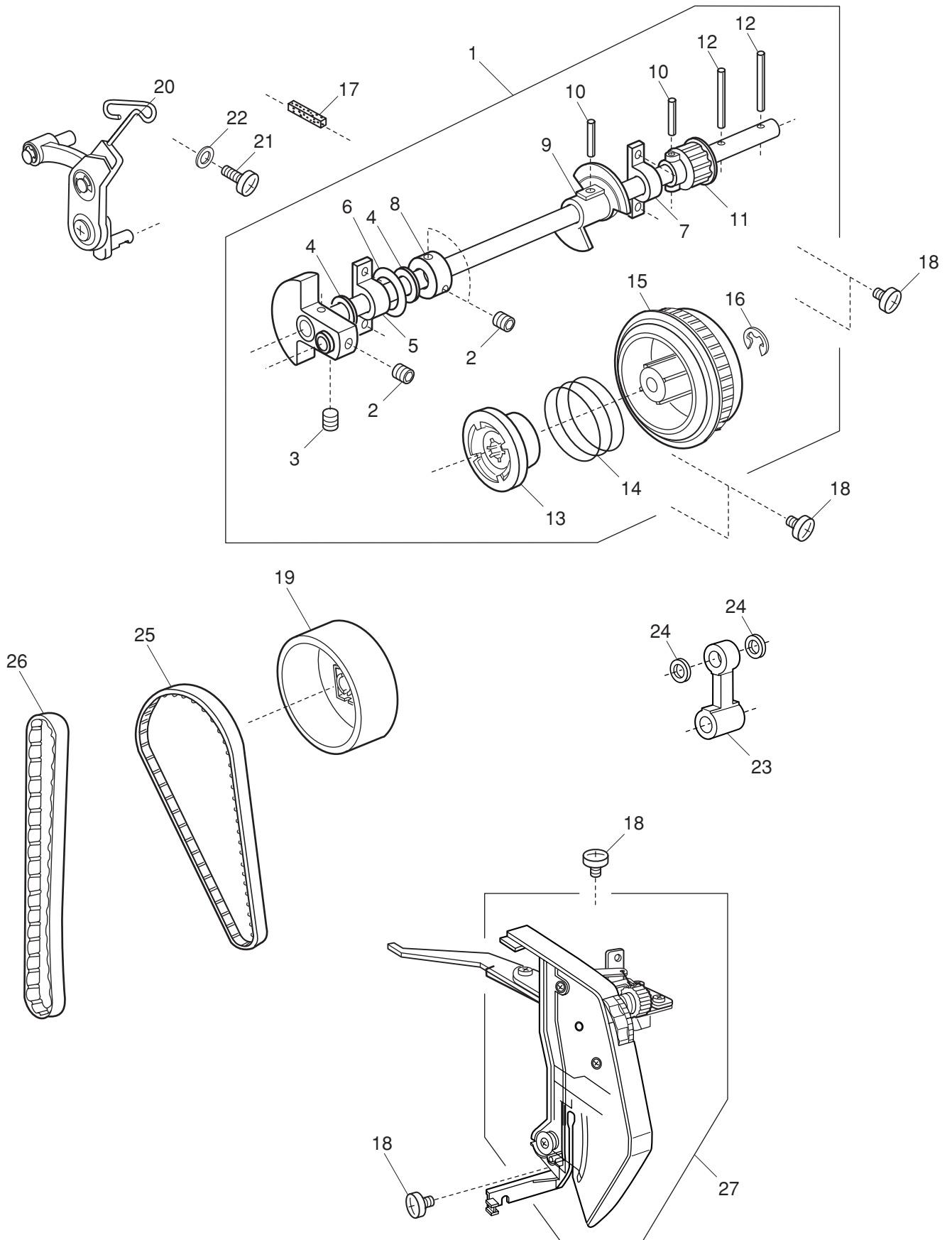


PARTS LIST

MODEL: Lady 50

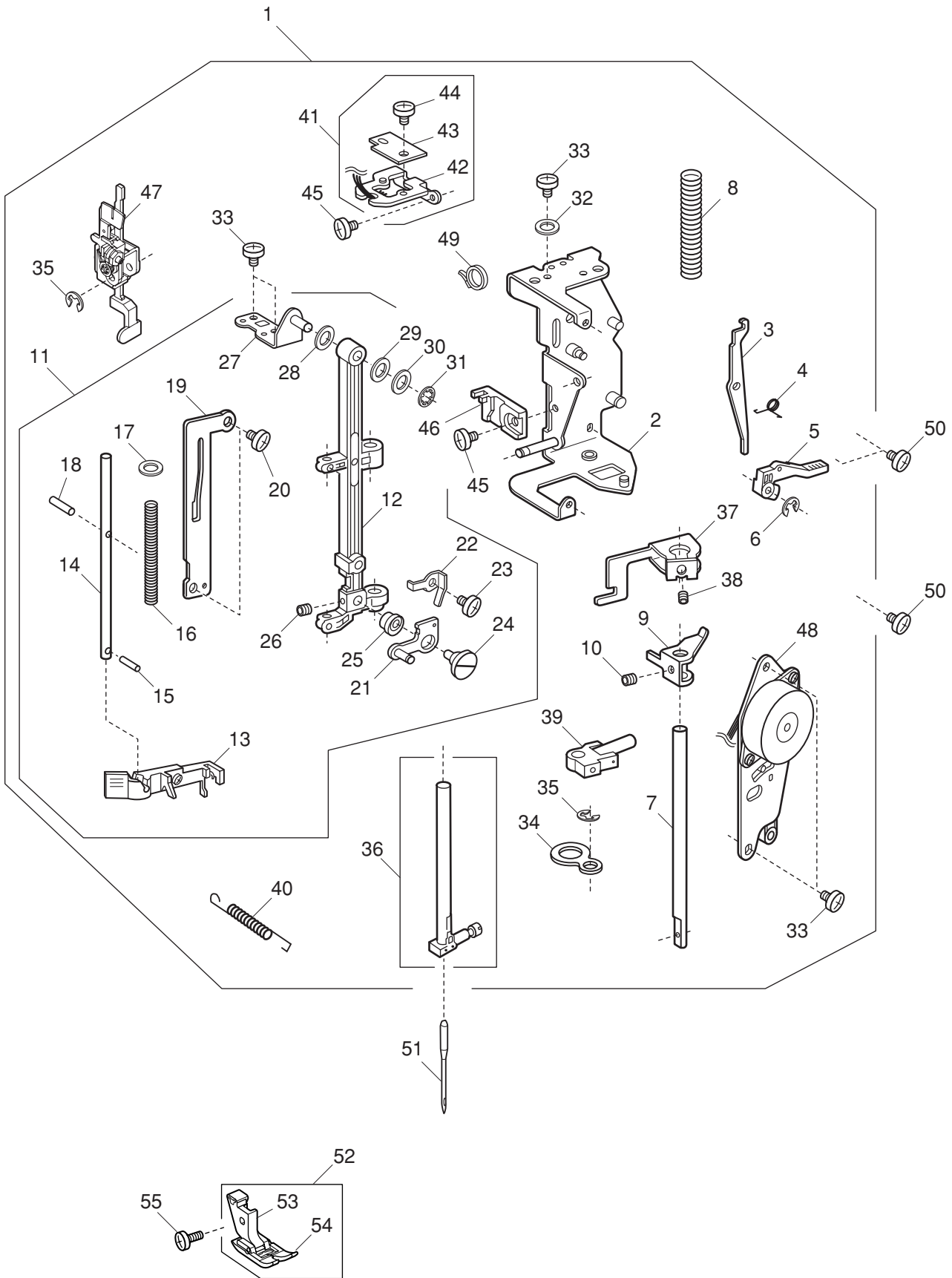
PARTS LIST



PARTS LIST

Key No.	Parts No.	Description
1	808601005	Upper shaft (unit)
2	000111201	Hexagonal socket screw 4x4
3	000112800	Hexagonal socket screw 4x6
4	000036201	Washer FT80
5	508120006	Shaft fixing metal
6	823110009	Felt
7	508054101	Shaft fixing metal
8	820166001	Lower shaft ring
9	808003001	Upper shaft shielding plate
10	000004200	Spring pin 3x18
11	508021006	Upper shaft gear
12	000024206	Spring pin 3x30
13	502064003	Clutch ring
14	661024007	Clutch spring
15	508055009	Belt wheel
16	000002806	Snap ring E-6
17	650040005	Felt
18	000081005	Setscrew 4x8
19	508056505	Handwheel
20	508601109	Thread take-up lever (unit)
21	000103509	Setscrew 4x10
22	000072302	Washer 4
23	808005003	Needle bar crank rod
24	000036005	Washer FT60
25	808021108	Timing belt
26	808037004	Syncro belt
27	808523208	Thread tension (unit)

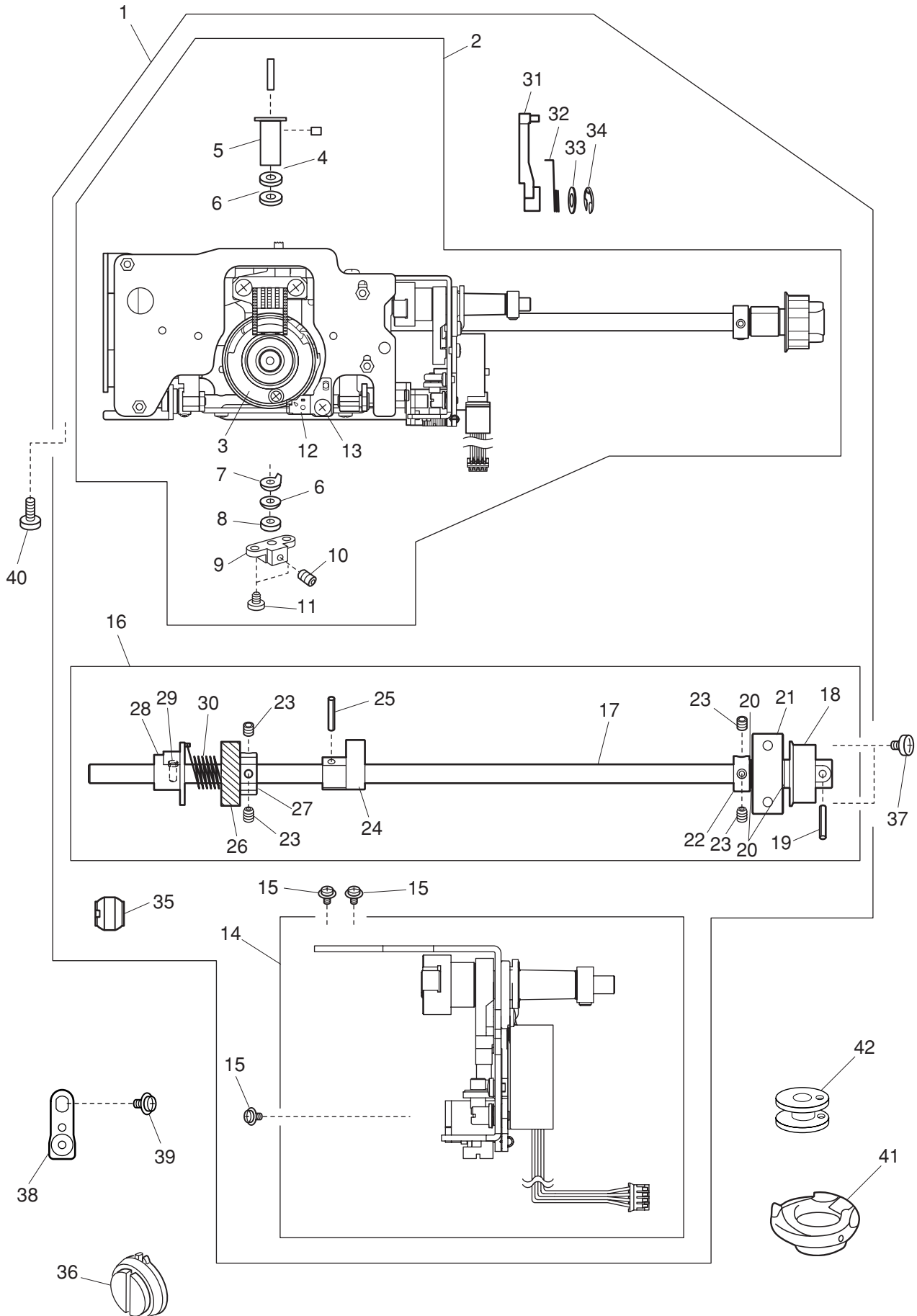
PARTS LIST



PARTS LIST

Key No.	Parts No.	Description
1	808628112	Presser bar base plate (unit)
2	808006004	Presser bar base plate
3	808007005	Thread tension release lever
4	503041007	Thread tension release spring
5	502024001	Presser foot lifter
6	000001609	Snap ring E-5
7	508002104	Presser bar
8	508038006	Presser bar spring
9	508039007	Presser bar supporter
10	000111500	Hexagonal socket screw 4x8
11	808624004	Needle bar supporter (unit)
12	808008109	Needle bar supporter
13	639643102	Threader plate (unit)
14	840036003	Threader shaft
15	000003508	Spring pin 2x8
16	827091005	Threader shaft spring
17	734107004	Washer
18	000122906	Guide pin E-2x14-CH
19	653036029	Threader guide plate
20	000078319	Setscrew 3x6
21	808015006	Zigzag width rod
22	827088009	Zigzag width rod spring
23	820373003	Setscrew 2x3
24	678084007	Eccentric pin
25	808074003	Washer
26	000111902	Hexagonal socket screw 3x4
27	808009007	Supporter adjusting plate
28	000036500	Washer FT60
29	673022002	Spring washer
30	000070609	Washer 6
31	000013903	Snap ring CS-5
32	000072003	Washer 5
33	000101404	Setscrew 4x6
34	808010001	Supporter guide plate
35	000002105	Snap ring E-3
36	508607105	Needle bar (unit)
37	808011002	Threader position set plate
38	000177205	Hexagonal socket screw 3x6
39	508509003	Needle bar connecting stud (unit)
40	756063005	Needle bar supporter spring
41	808606000	Buttonhole sensor (unit)
42	845002005	Sensor set plate
43	843502602	Printed circuit board E1 (unit)
44	000101105	Setscrew 3x4
45	000103808	Setscrew 3x5
46	830057021	Buttonhole lever guide
47	808673008	Buttonhole lever (unit)
48	808605607	Zigzag width motor (unit)
49	000053008	Cord binder
50	000081005	Setscrew 4x8
51	102408089	Needle
52	508505009	Presser foot (unit)
53	508801008	Presser foot holder
54	508502006	Zigzag foot
55	660106001	Setscrew

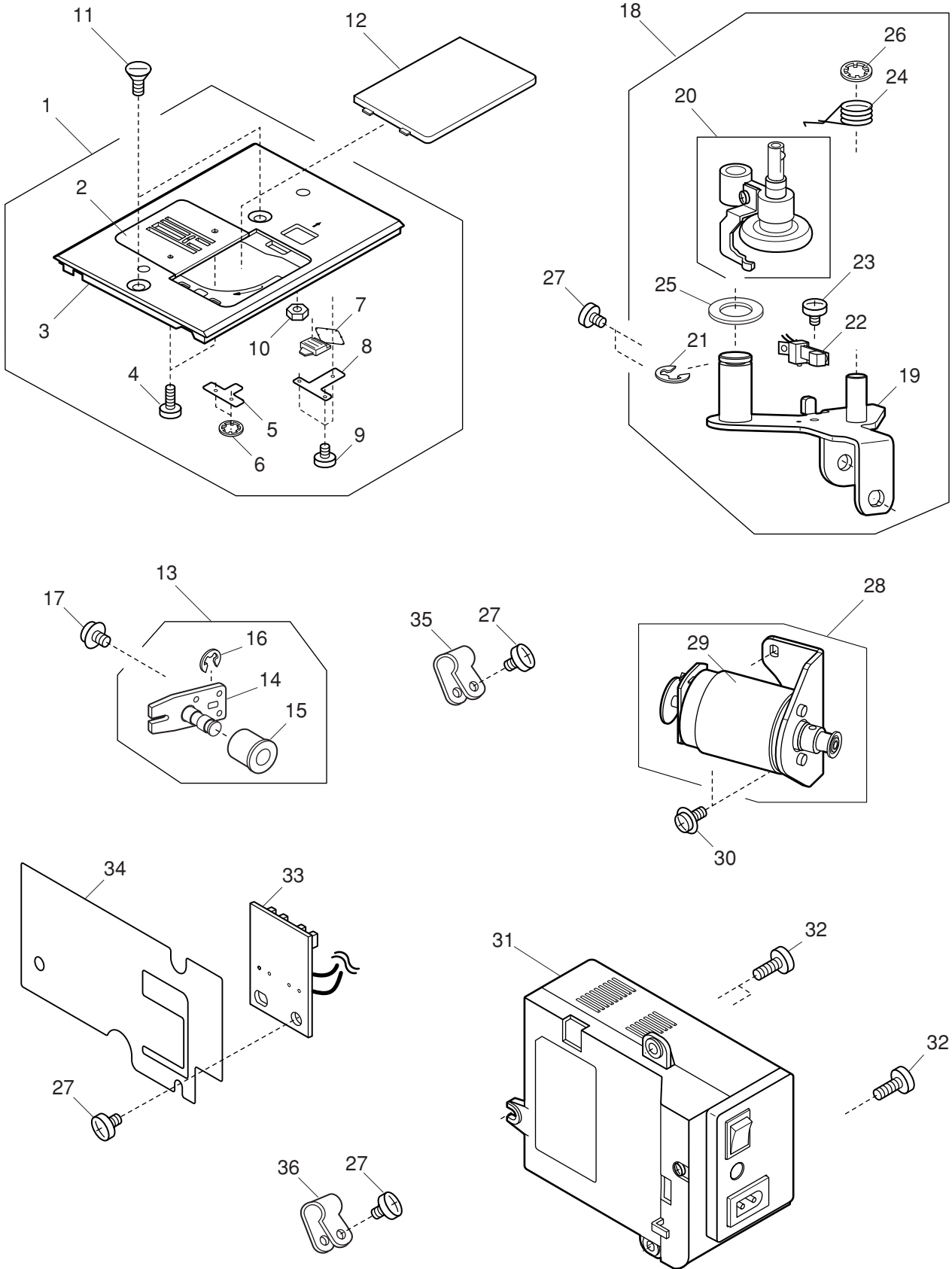
PARTS LIST



PARTS LIST

Key No.	Parts No.	Description
1	811607403	Hook race (whole unit)
2	811617004	Hook race (unit)
3	508602007	Hook body (unit)
4	508118001	Washer
5	820123006	Hook race shaft
6	000038409	Washer
7	627192001	Washer
8	625102008	Washer
9	508072002	Hook race shaft base
10	000111304	Hexagonal socket screw 5x5
11	000103705	Setscrew 4x5
12	627567104	Bobbin holder stopper (unit)
13	810220003	Setscrew
14	809607200	Feed regulator (unit)
15	000115205	Setscrew TP 4x6
16	811610100	Lower shaft (unit)
17	808027300	Lower shaft
18	508021006	Upper shaft gear
19	000004200	Spring pin 3x18
20	000038502	Washer
21	508054008	Shaft fixing metal
22	820166001	Lower shaft ring
23	000111201	Hexagonal socket screw 4x4
24	809014008	Feed cam
25	000005407	Spring pin 3x12
26	808110002	Lower shaft gear
27	508020005	Ring
28	753183025	Feed lifting cam
29	820161006	Feed lifting pin
30	686035008	Feed lifting cam spring
31	809013007	Feed fork
32	809015009	Feed fork spring
33	000071105	Washer 5
34	000002507	Snap ring E-4
35	732034003	Lower shaft bushing (rear)
36	809053009	Feed balancing dial 2
37	000081005	Setscrew 4x8
38	809042005	Lower shaft bushing set plate
39	000115607	Setscrew TP 4x8
40	000101703	Setscrew 4x12
41	508638002	Bobbin holder (unit)
42	102261103	Bobbin

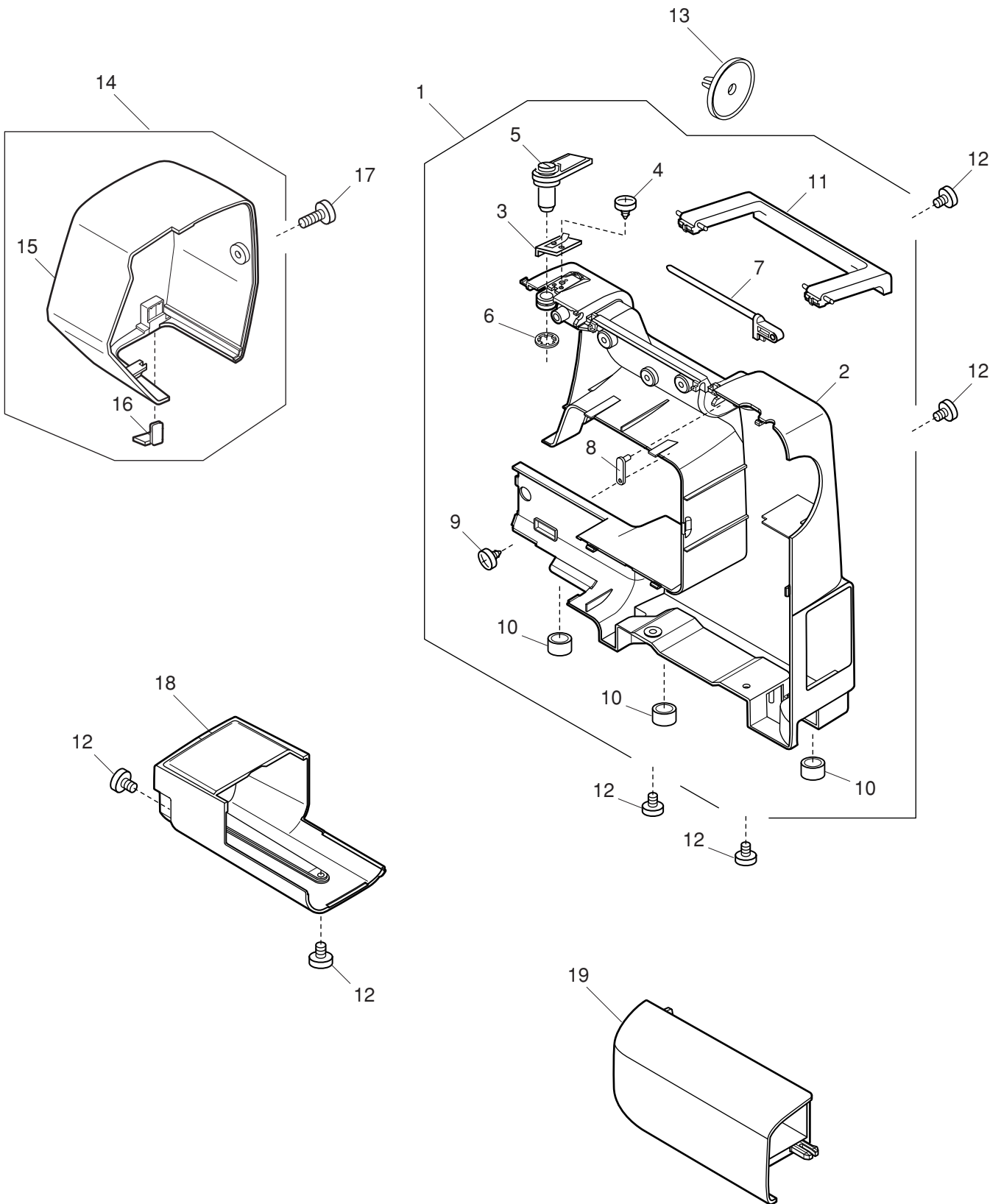
PARTS LIST



PARTS LIST

Key No.	Parts No.	Description
1	808626006	Needle plate (unit)
2	808067003	Needle plate
3	808068004	Support needle plate
4	000163703	Setscrew 2x3.5
5	502015009	Spring
6	000015503	Snap ring SC-2.4
7	502016000	Hook cover plate release button
8	502202005	Supporter plate
9	000130206	Setscrew 1.7x2.5 (B)
10	508116009	Nut
11	820390109	Setscrew
12	846271103	Hook cover plate
13	808614001	Idler (unit)
14	808038005	Idler set plate
15	625217100	Idler
16	000002806	Snap ring E-6
17	000115607	Setscrew TP 4x8
18	808627100	Bobbin winder (unit)
19	808039109	Bobbin winder set plate
20	508629000	Bobbin winder arm (unit)
21	000001609	Snap ring E-5
22	856512100	Switch (unit)
23	000081706	Setscrew 2.5x5
24	808040000	Spring
25	000127808	Washer
26	000013903	Snap ring CS-5
27	000081005	Setscrew 4x8
28	808617004	DC motor (unit)
29	808502005	DC motor
30	000115700	Setscrew TP 4x10
31	808657084	Switching regulator (unit)
32	000103509	Setscrew 4x10
33	808504007	Printed circuit board P (unit)
34	808093101	Cord guide
35	000188209	Nylon clip ACC-1.5
36	000188405	Nylon clip ACC-2

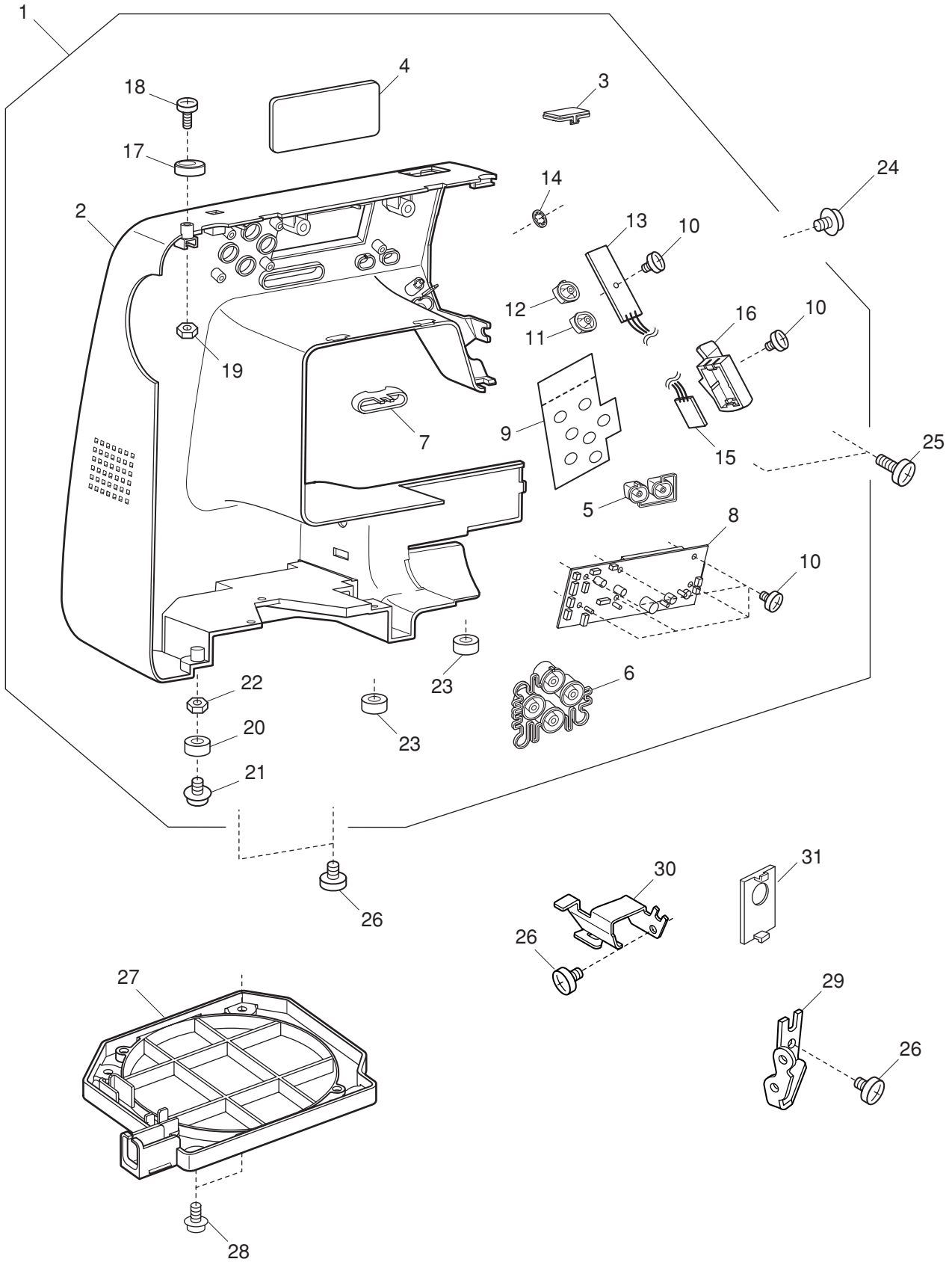
PARTS LIST



PARTS LIST

Key No.	Parts No.	Description
1	808636021	Rear cover (unit)
2	808084109	Rear cover
3	827503108	Top cover thread guide (unit)
4	000162001	Setscrew 2.6x5
5	650503078	Thread guide (unit)
6	000014409	Snap ring CS-8
7	502007008	Spool pin
8	502008009	Spool pin support plate
9	000120203	Setscrew 3x8 (B)
10	739064003	Bed rubber cushion
11	502009000	Carrying handle
12	000081005	Setscrew 4x8
13	822020503	Spool holder
14	808638182	Face plate (unit)
15	808091A05	Face plate
16	840602006	Thread cutter (unit)
17	000104108	Setscrew 4x20
18	808061007	Free arm cover
19	808092007	Extension table

PARTS LIST

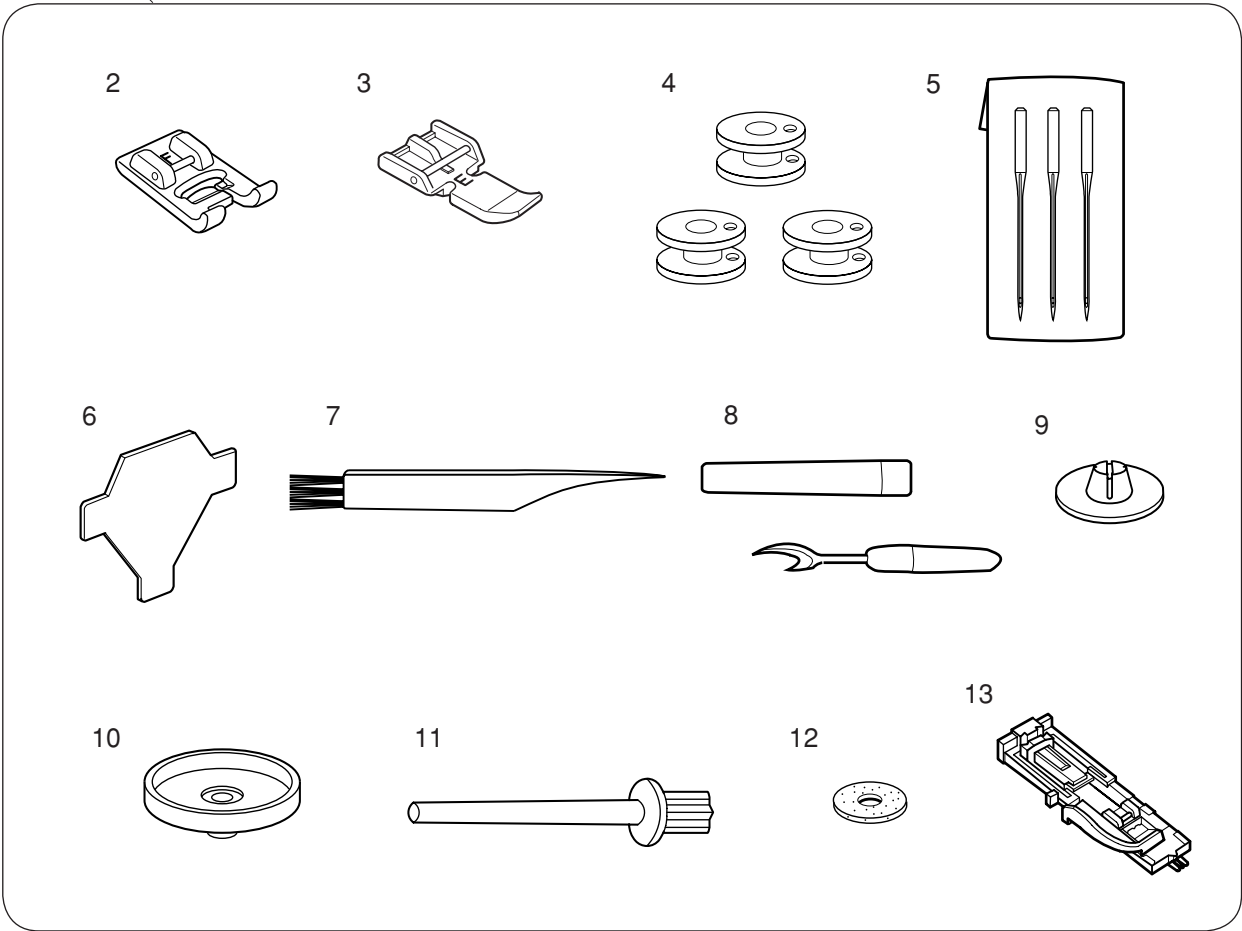


PARTS LIST

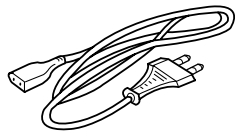
Key No.	Parts No.	Description
1	808669285	Front cover (unit)
2	808085C02	Front cover
3	808103002	Front cover lid
4	808086A02	Panel
5	808087102	Button 1
6	808088103	Button 2
7	808089001	Slide volume
8	808400172	Printed circuit board A (unit)
9	808121006	Flame retardant insulating paper
10	000120203	Setscrew 3x8 (B)
11	808090108	Start/stop button
12	808102104	Button 4
13	808507000	Printed circuit board F (unit)
14	000014306	Snap ring CS-3
15	808506009	Printed circuit board L (unit)
16	808057000	Lamp holder
17	735016307	Bobbin winder stopper
18	000101828	Setscrew 4x16
19	000061102	Nut 4-1-7
20	639005003	Rubber foot
21	000201405	Setscrew TP 4x16
22	000160102	Adjustable lock nut 4
23	739064003	Bed rubber cushion
24	000115205	Setscrew TP 4x6
25	000160401	Setscrew 4x16 (B)
26	000081005	Setscrew 4x8
27	808059301	Bed cover
28	000149312	Setscrew 3x8
29	639080002	Front cover set plate
30	808016007	Arm thread guide
31	809039009	Cap

PARTS LIST

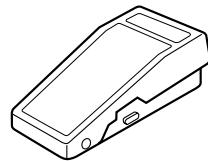
1



14



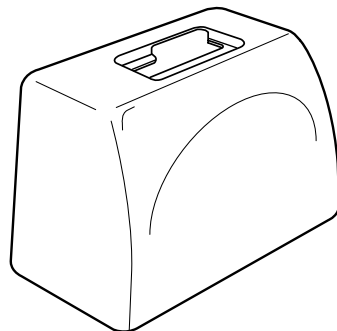
15



16



17



PARTS LIST

Key No.	Parts No.	Description
1	808870306	Standard accessories
2	822804118	Satin foot
3	808852003	Zipper foot
4	102261103	Bobbin
5	639804000	Assorted needle set
6	653802002	Screw key
7	802424004	Lint brush
8	647808009	Seam ripper (Buttonhole opener)
9	822019509	Spool holder (small)
10	829803004	Spool stand
11	625031500	Spool pin
12	102403109	Felt
13	753801004	BH foot
14	830335004	Power supply cord
15	C-1036	Foot control
16	808800811	Instruction manual
17	484701022	Cover