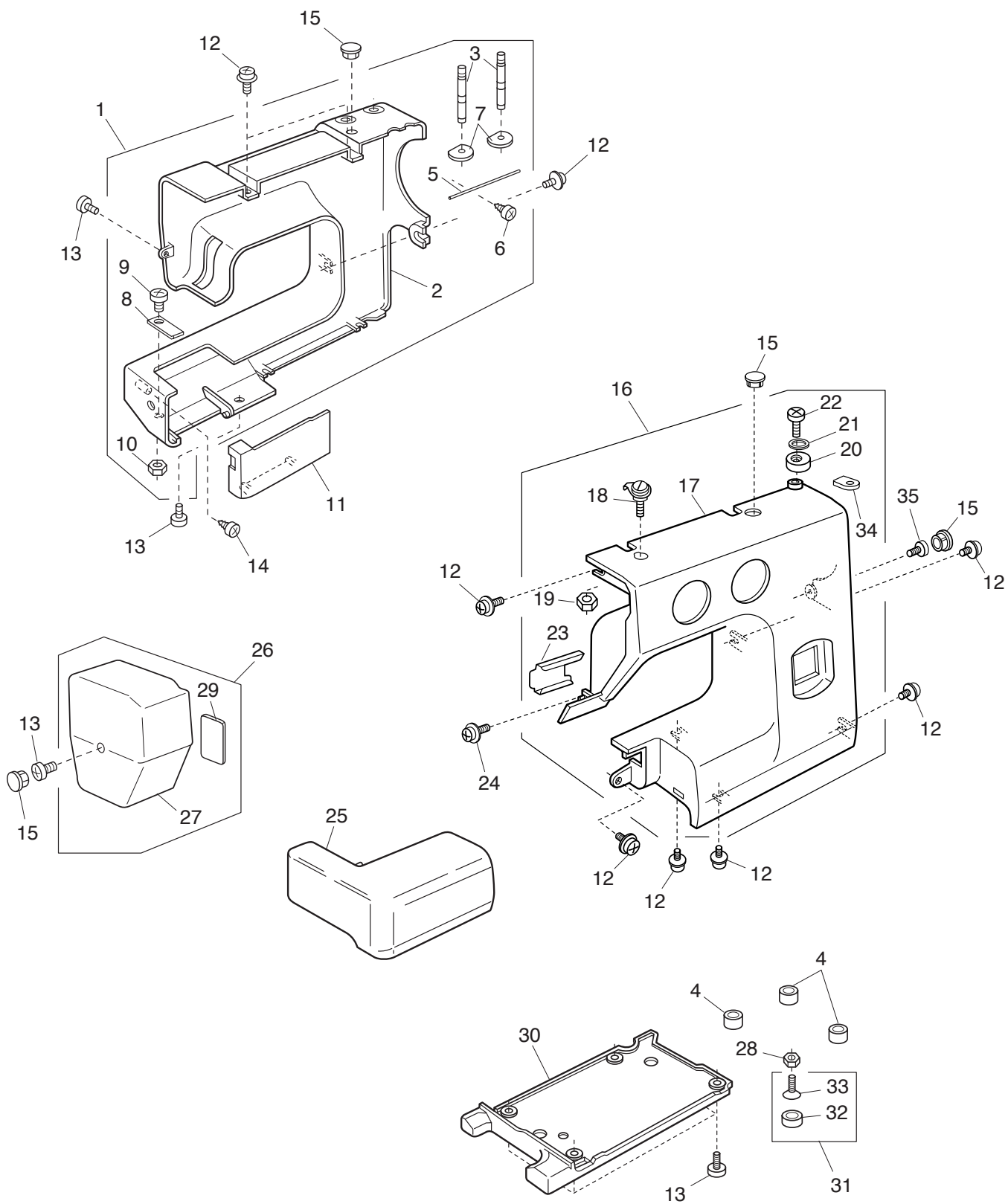


PARTS LIST

MODEL : JR1012

JANOME

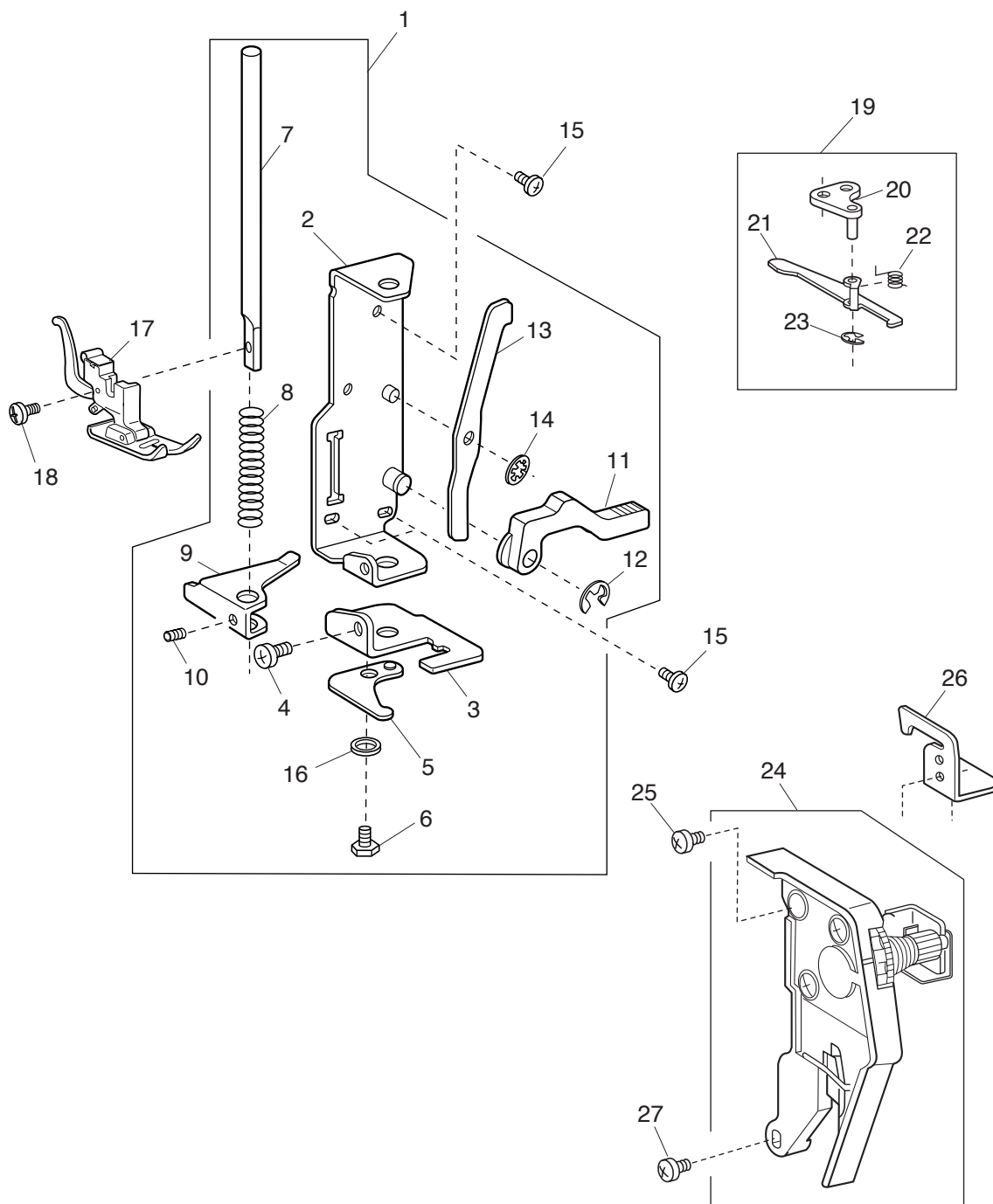
PARTS LIST



PARTS LIST

KEY NO.	PARTS NO.	DESCRIPTION
1	743617309	Rear cover (unit)
2	743003063	Resr cover
3	652205109	Spool pins
4	739064003	Bed rubber base
5	736007009	Spool pin spring
6	000076317	Tapping screw 3x10
7	735013005	Spool pin spring base
8	730006000	Spring
9	000101404	Setscrew 4x6
10	000061205	Nut
11	739004005	Bed cover
12	000115205	TP screw 4x6
13	000081005	Setscrew 4x8
14	000121905	Tapping screw 4x12 B
15	653006101	Cap
16	743621993	Front cover (unit)
17	743056418	Front cover
18	730501011	Thread guide plate (unit)
19	000160102	Adjustable locl nut 4
20	735016307	Bobbin winder stopper
21	000071013	Washer
22	000103107	Setscrew 4x14
23	735123009	Thread guard plate
24	000115607	TP screw 4x8
25	743004008	Extension table
26	743636005	Face cover (unit)
27	743198103	Face cover
28	000061319	Nut
29	366076000	Reflex sticker
30	739005006	Base plate
31	735616200	Rubber base (unit)
32	735002001	Rubber base
33	000097901	Flat screw 5x18
34	744014004	Nut
35	000103509	Setscrew 4x10

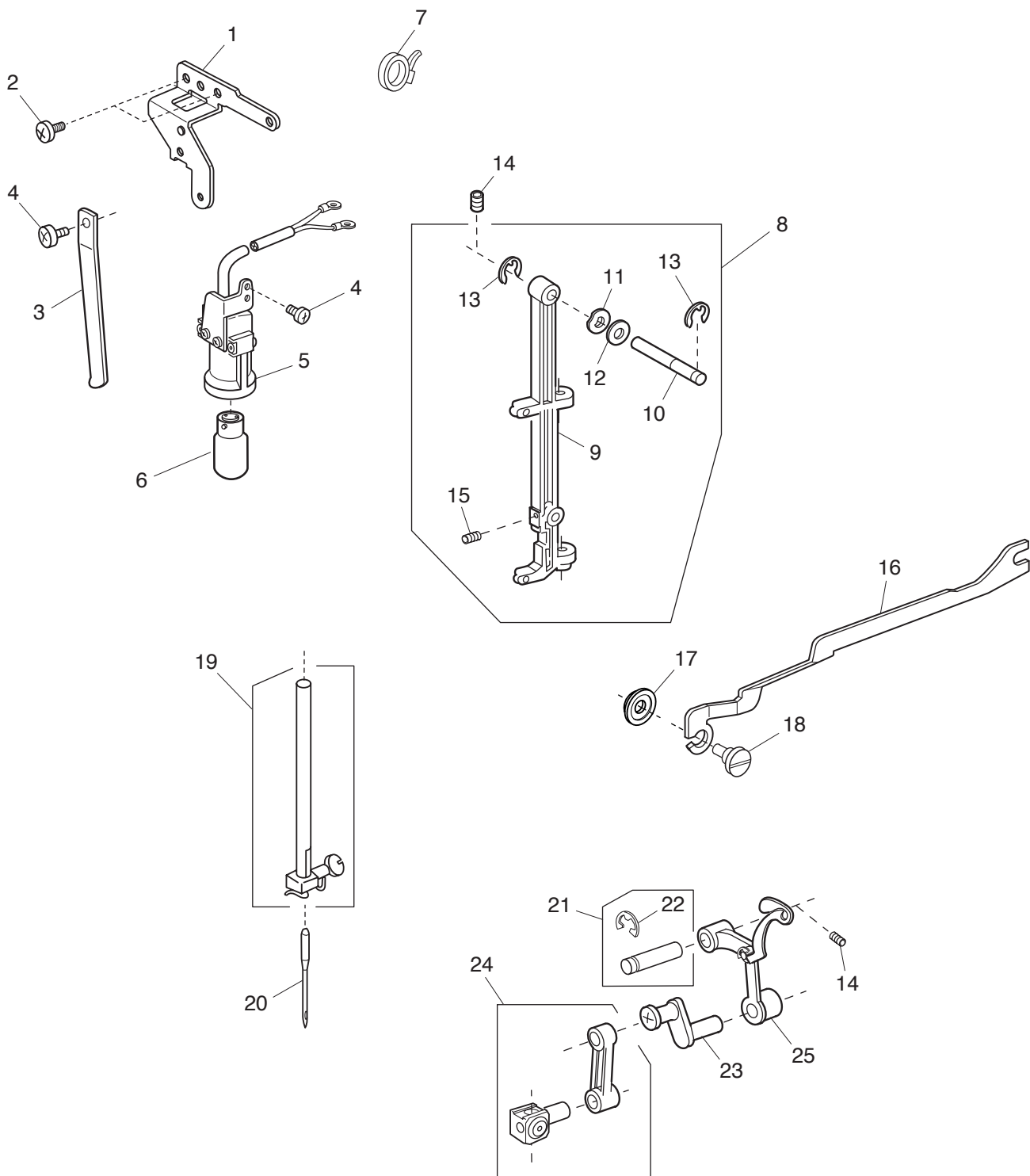
PARTS LIST



PARTS LIST

KEY NO.	PARTS NO.	DESCRIPTION
1	305604004	Presser bar base plate (unit)
2	735221008	Presser bar base plate
3	735222009	Needle drop adjusting plate
4	000101404	Setscrew 4x6
5	735025000	Needle bar supporter stopper
6	000138307	Bolt 4x8
7	735026001	Presser bar
8	735027002	Presser bar spring
9	735028003	Presser bar bracket
10	000111500	Hexagonal socket screw 4x8
11	735029004	Presser foot lifter
12	000001609	Snap ring E-5
13	735030008	Tension release lever
14	000013903	Snap ring CS-5
15	000081005	Setscrew 4x8
16	000070506	Washer
17	301612003	Presser foot (unit)
18	660106001	Thumb screw
19	739605002	Tension release arm (unit)
20	739017001	Tension release arm base
21	739018002	Tension release arm
22	739019003	Tension release spring
23	000002105	Snap ring E-3
24	743503002	Tension assembly (unit)
25	000103808	Setscrew 3x5
26	739016000	Top cover thread guide
27	000101703	Setscrew 4x12

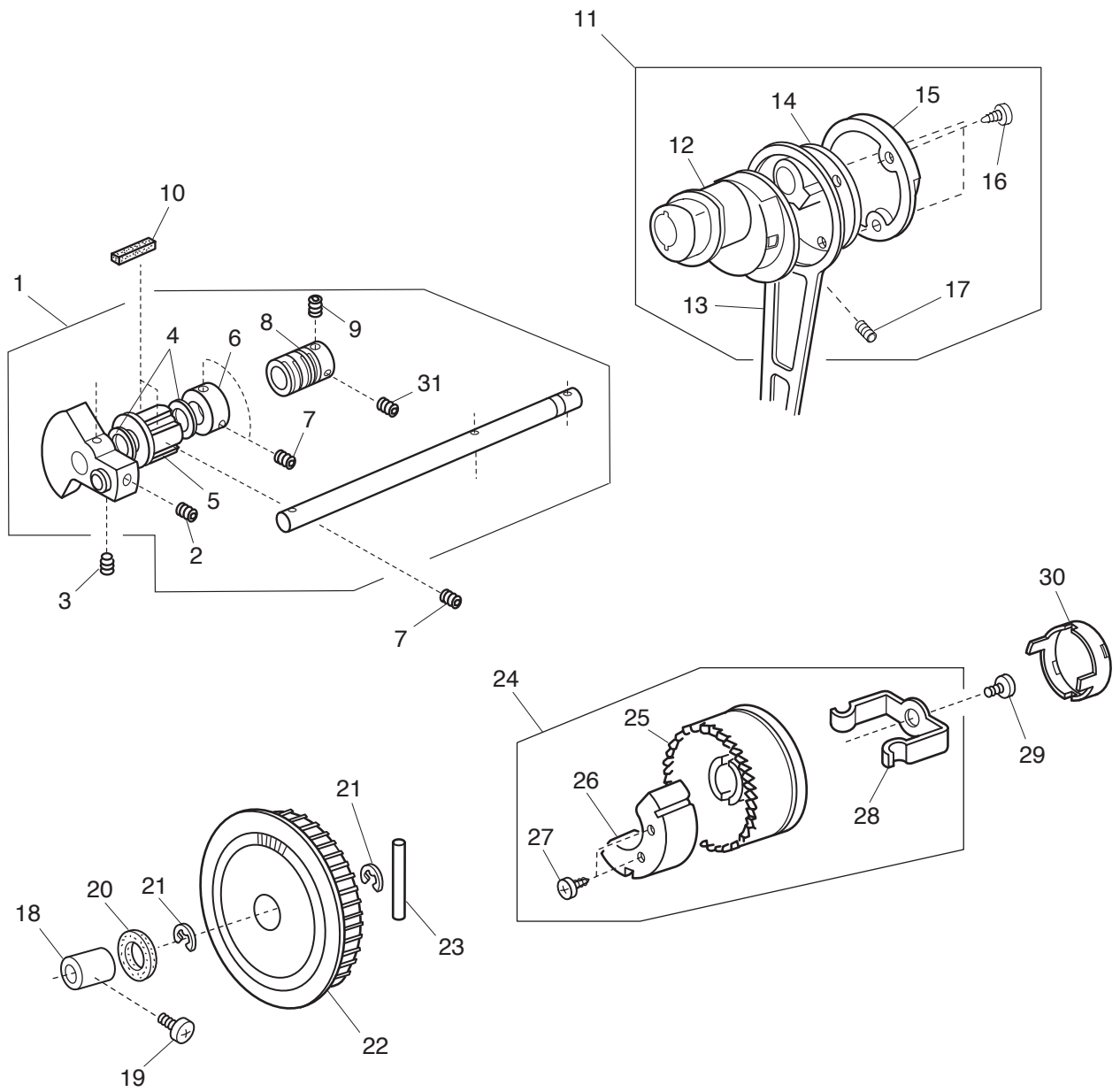
PARTS LIST



PARTS LIST

KEY NO.	PARTS NO.	DESCRIPTION
1	740007013	Face plate set plate
2	000081005	Setscrew 4x8
3	730024004	Needle bar supporter spring
4	000101404	Setscrew 4x6
5	743634003	Lamp socket (unit)
6	000009009	Lamp 240V, 15W
7	000053709	Cord tie band
8	301610001	Needle bar supporter (unit)
9	301032003	Needle bar supporter
10	730022002	Needle bar supporter pin
11	673022002	Wave washer
12	000070609	Plain washer
13	000002507	Snap ring E-4
14	000111304	Hexagonal socket screw 5x5
15	000111902	Hexagonal socket screw 3x4
16	735119002	Zigzag rod
17	748021006	Washer
18	678084007	Eccentric pin
19	730503116	Needle bar (unit)
20	102408089	Needle HA 1-14
21	731511006	Thread take-up pin (unit)
22	000002806	Snap ring E-6
23	735504008	Needle bar crank pin (unit)
24	680504005	Needle bar connecting stud (unit)
25	625506109	Thread take-up lever (unit)

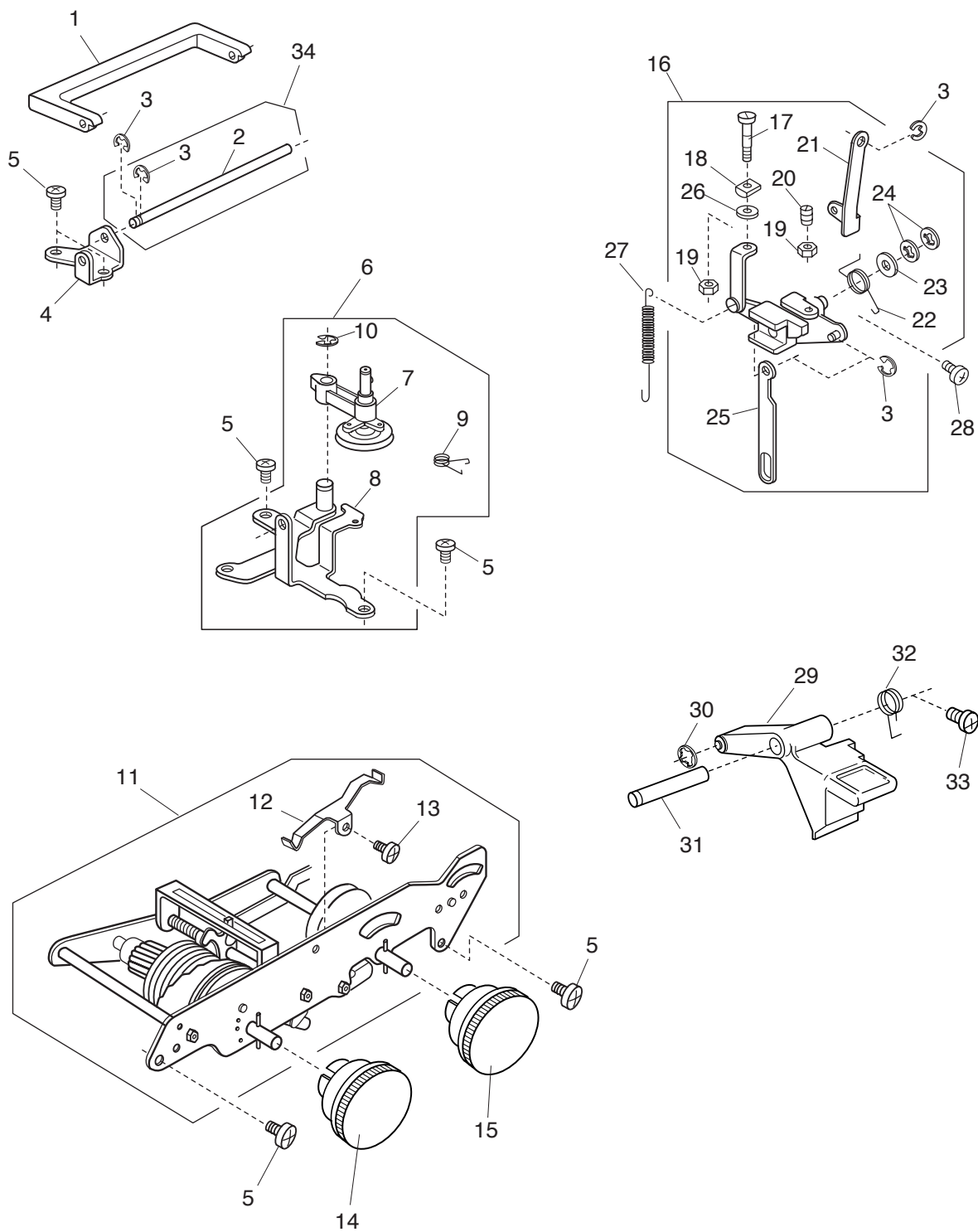
PARTS LIST



PARTS LIST

KEY NO.	PARTS NO.	DESCRIPTION
1	304607200	Upper shaft (unit)
2	102073003	Setscrew
3	761052007	Setscrew
4	000036717	Thrust washer
5	732025001	Upper shaft front bushing
6	639095000	Ring
7	000111304	Hexagonal socket screw 5x5
8	751146101	Worm
9	000111201	Hexagonal socket screw 4x4
10	731312005	Felt
11	304609006	Crank rod (unit)
12	304042005	Feed cam
13	743011008	Crank rod
14	304044007	Crank cam
15	304043006	Crank cam plate
16	000161309	Tapping screw 3x12B
17	000110107	Hexagonal socket screw 5x5
18	732003003	Upper shaft rear bushing
19	000172602	Setscrew 5x8
20	743029009	Felt
21	000030205	Snap ring E-8
22	743019006	Belt wheel
23	000023803	Spring pin
24	743630009	Handwheel (unit)
25	639097024	Handwheel
26	743030003	Balance weight
27	000121400	Tapping screw 3x14B
28	639113016	Clutch spring
29	000081005	Setscrew 4x8
30	650070509	Clutch cap
31	000112501	Hexagonal socket screw 4x4

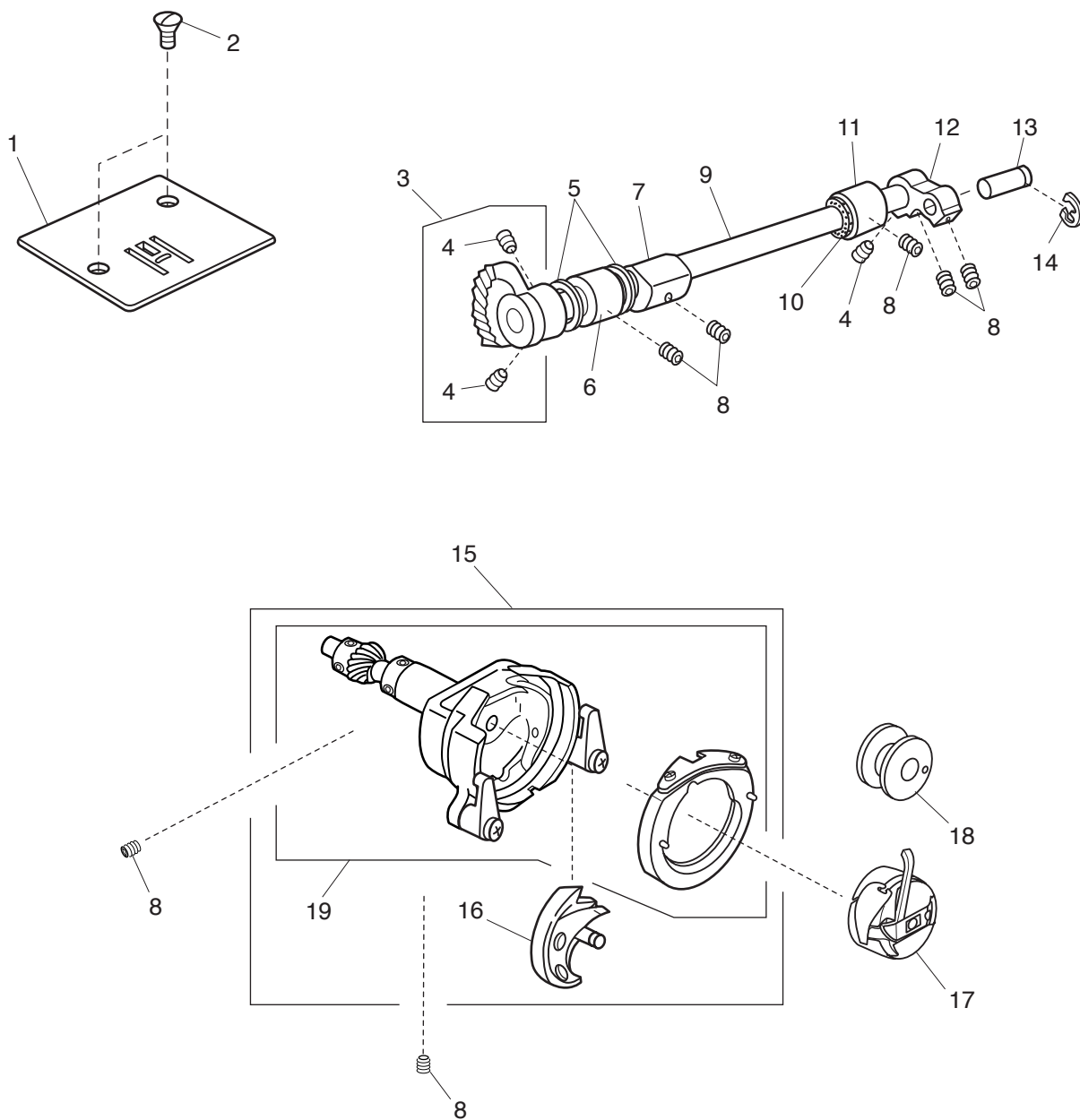
PARTS LIST



PARTS LIST

KEY NO.	PARTS NO.	DESCRIPTION
1	735017308	Handle
2	740011009	Handle shaft
3	000002105	Snap ring E-3
4	740010008	Handle supporter
5	000081005	Setscrew 4x8
6	740602209	Bobbin winder supporter (unit)
7	735501005	Bobbin winder arm (unit)
8	740003101	Bobbin winder base plate
9	740042009	Bobbin winder arm spring
10	000002806	Snap ring E-6
11	743661009	Zigzag mechanism (unit)
12	737011009	Index spring
13	000103808	Setscrew 3x5
14	743189259	Dial
15	743189260	Dial
16	736604301	Feed regulator (unit)
17	735074004	SS adjusting screw
18	735076006	SS rod block
19	000160102	Adjustable lock nut 4
20	648010009	Setscrew
21	739020007	Feed regulating rod
22	735077007	Feed regulating body spring
23	735073003	Plain washer
24	000013800	Snap ring CS-6
25	730045001	Reverse link
26	000071013	Washer 4
27	740125007	Feed regulator spring
28	000172602	Setscrew 5x8
29	742007008	R button
30	000014007	Snap ring CS-4
31	736015000	R button shaft
32	739063002	R button spring
33	000101301	Setscrew 5x10
34	740624001	Carrying handle set pin (unit)

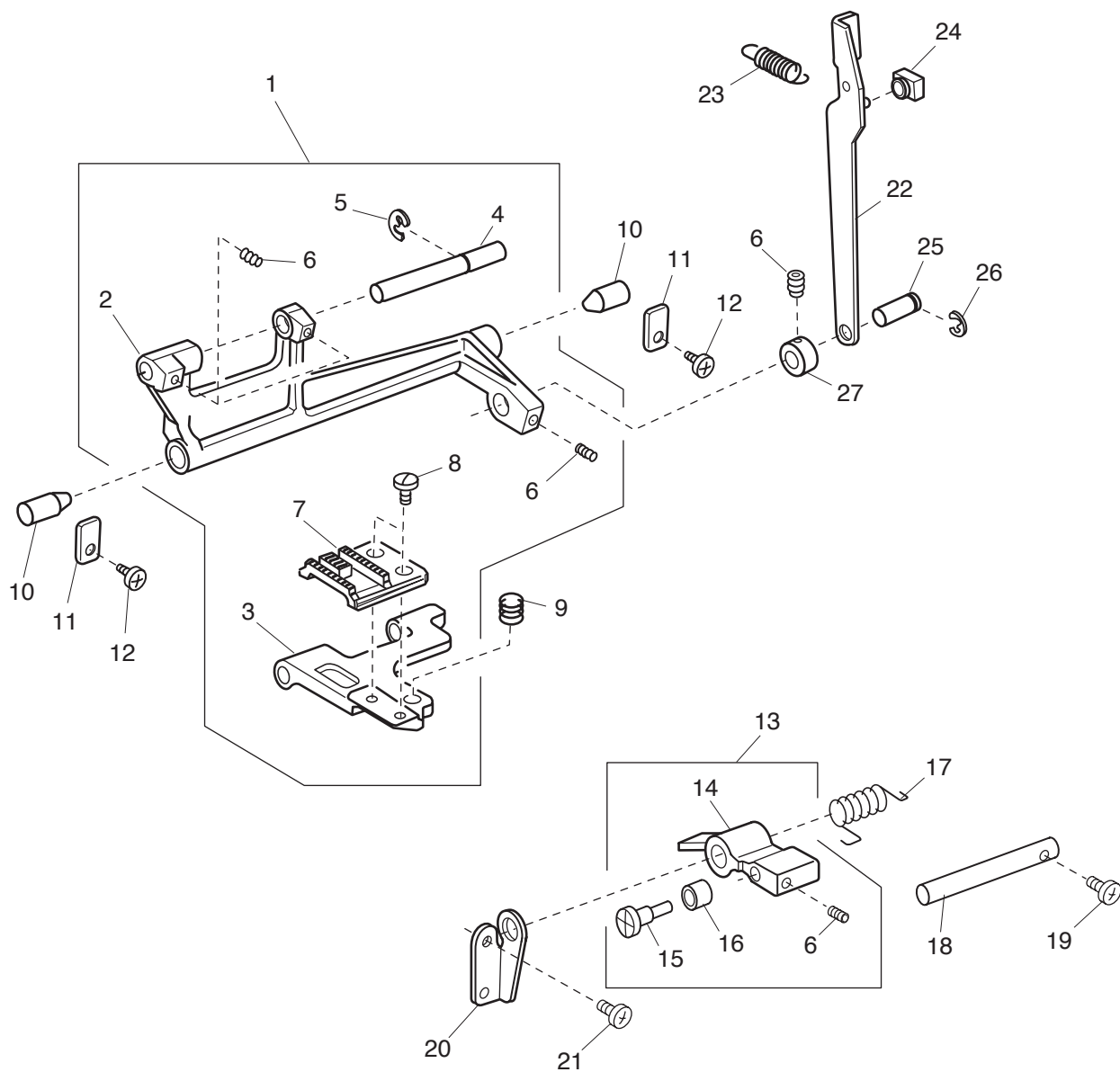
PARTS LIST



PARTS LIST

KEY NO.	PARTS NO.	DESCRIPTION
1	744004001	Needle plate
2	681009101	Setscrew
3	735950003	Lower shaft gear (unit)
4	000110107	Hexagonal socket screw 5x5WP
5	000036201	Washer 8-0.5
6	735233003	Bushing
7	735061008	Feed lifting cam
8	000111304	Hexagonal socket screw 5x5
9	735236006	Lower shaft
10	822070003	Felt
11	735234004	Bushing
12	639036003	Lower shaft crank arm
13	639037004	Pin
14	000001609	Snap ring E-5
15	735610101	Shuttle race body (unit)
16	532096007	Shuttle hook
17	647515006	Bobbin case (unit)
18	102261000	Bobbin
19	735508105	Shuttle race body (unit)

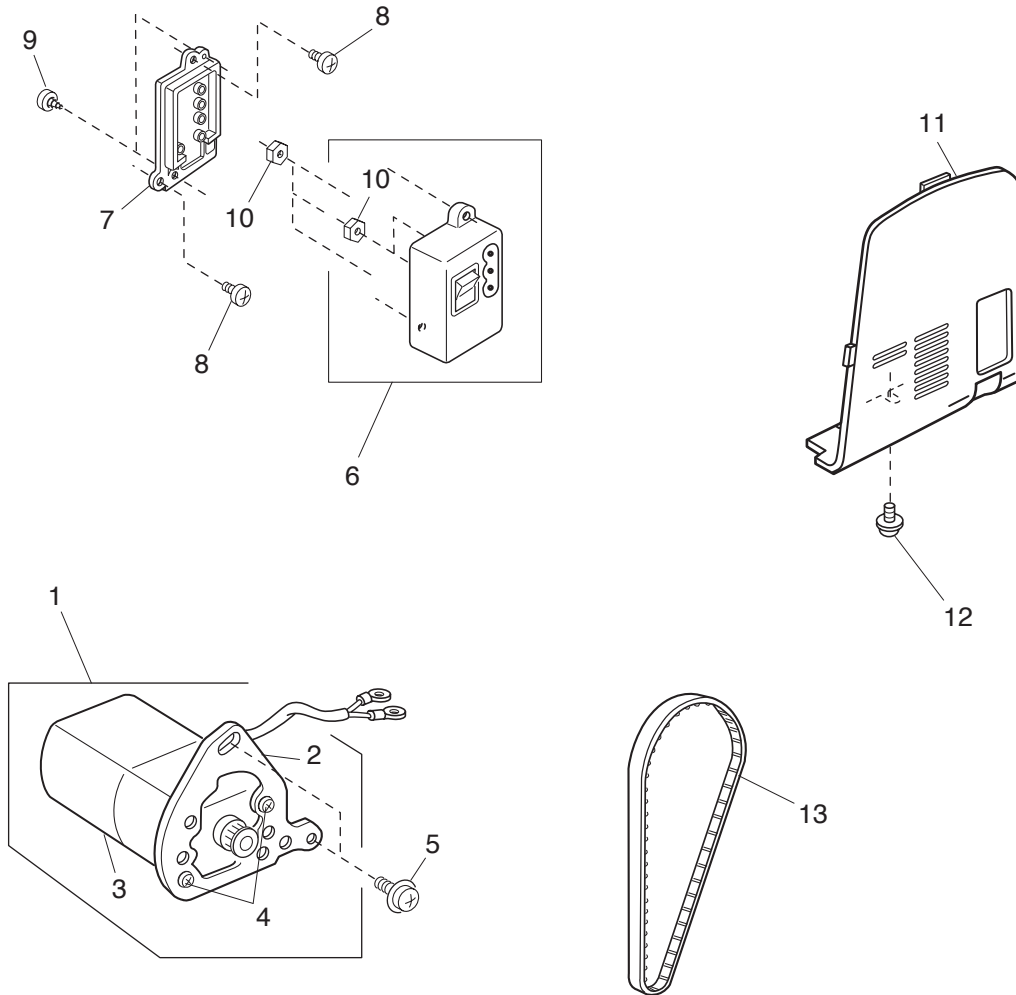
PARTS LIST



PARTS LIST

KEY NO.	PARTS NO.	DESCRIPTION
1	735612000	Feed rock shaft (unit)
2	735078008	Feed rock shaft
3	735079009	Feed bar
4	735080003	Feed bar shaft
5	000002507	Snap ring E-4
6	000111201	Hexagonal socket screw 4x4
7	735081004	Feed dog
8	735082005	Setscrew
9	735083006	Feed bar spring
10	735084007	Feed rock shaft center
11	735085008	Feed rock shaft center plate
12	000101404	Setscrew 4x6
13	301608006	Feed lifting arm (unit)
14	301027005	Feed lifting arm
15	735087000	Feed lifting pin
16	735088001	Feed lifting roller
17	735089002	Feed lifting spring
18	735090006	Feed lifting shaft
19	000097200	Setscrew 4x12
20	739022009	Feed lifting shaft holder
21	000081119	Setscrew 4x6
22	743012009	Feed rod
23	743013000	Feed rod spring
24	102141003	Feed regulator slid block
25	735071104	Feed rock shaft connecting pin
26	000002806	Snap ring E-6
27	735276008	Ring

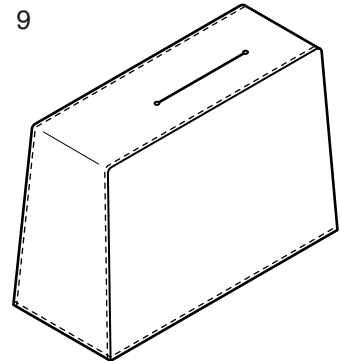
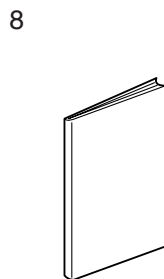
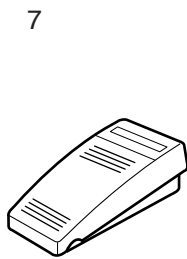
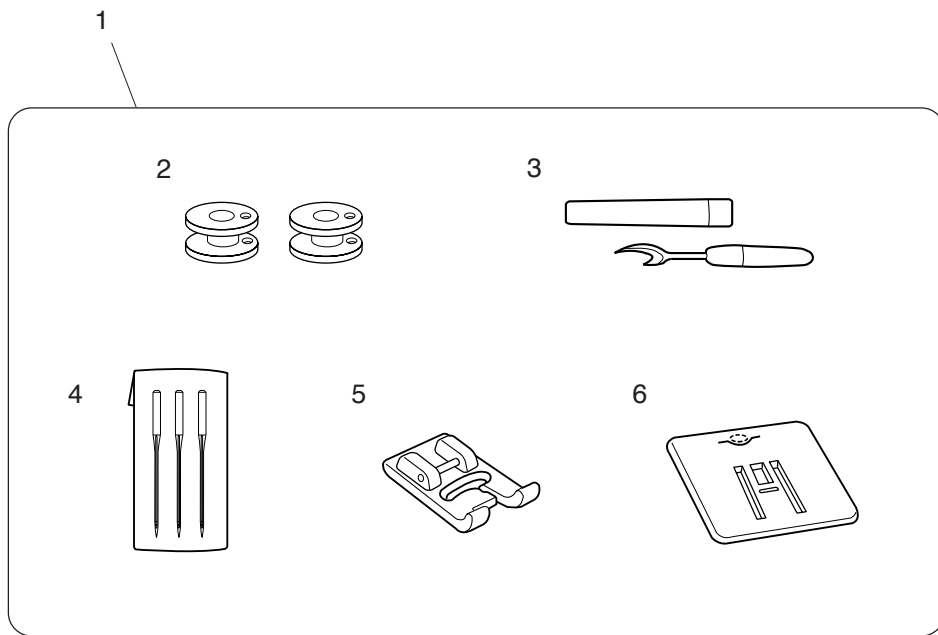
PARTS LIST



PARTS LIST

KEY NO.	PARTS NO.	DESCRIPTION
1	743611004	Motor assy
2	743025005	Motor bracket
3	024070108	Motor
4	023100404	Setscrew
5	000201209	Setscrew 5x12
6	739503308	Machine socket unit
7	739037007	Machine socket cover
8	000103509	Setscrew 4x10
9	000107802	Setscrew 3x10B
10	000060802	Nut
11	743017004	Belt cover
12	000115205	Setscrew 4x6
13	650166019	Motor timing belt

PARTS LIST



PARTS LIST

KEY NO.	PARTS NO.	DESCRIPTION
1	743870298	Accessory set
2	102261000	Bobbin
3	647808009	Seam ripper/Buttonhole opener
4	639804000	Needle set
5	737801015	Buttonhole foot
6	735801008	Darning plate
7	042970402	Foot control
8	743801405	Instruction book
9	741811000	Cover
