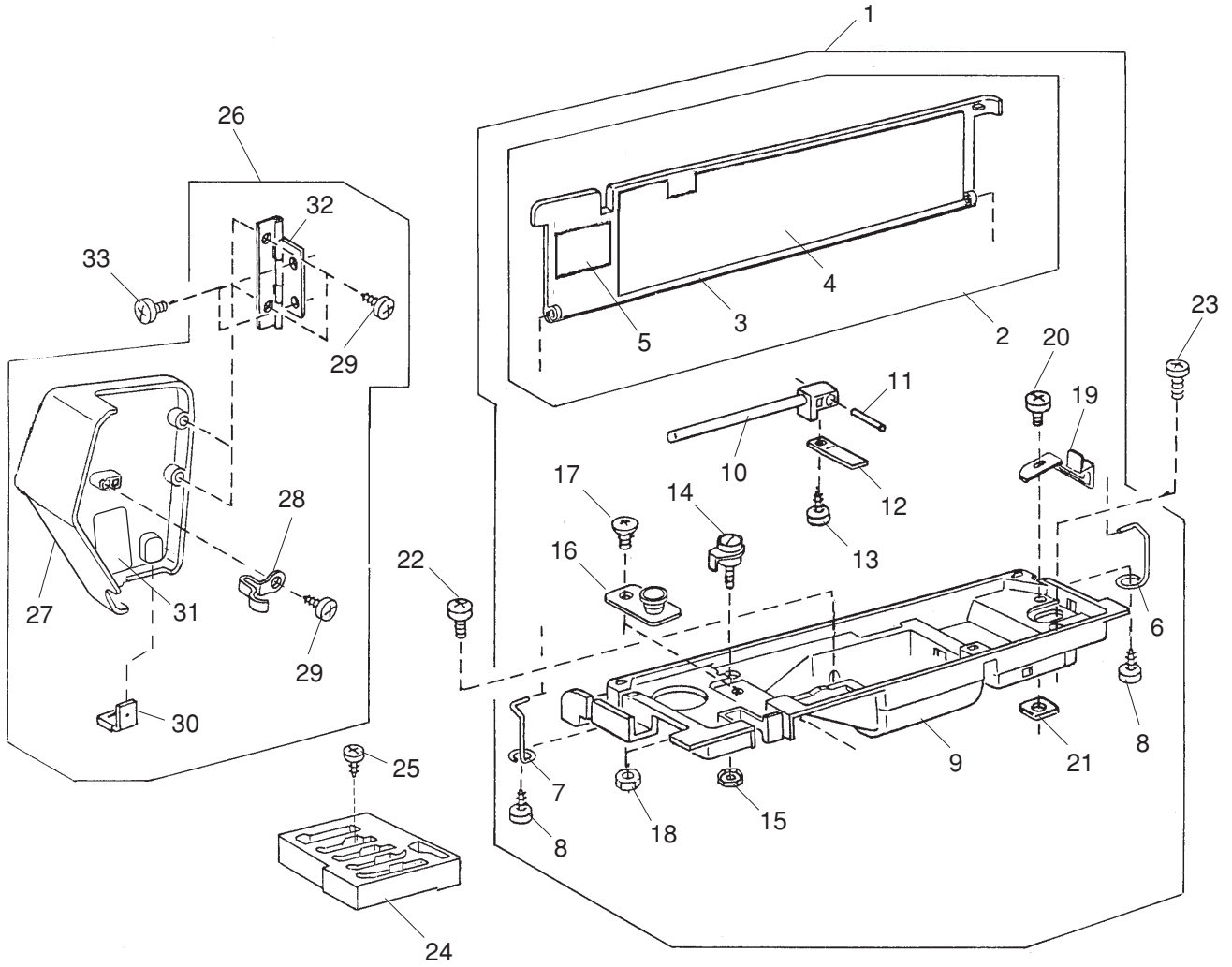


PARTS LIST

MODEL: HD3400

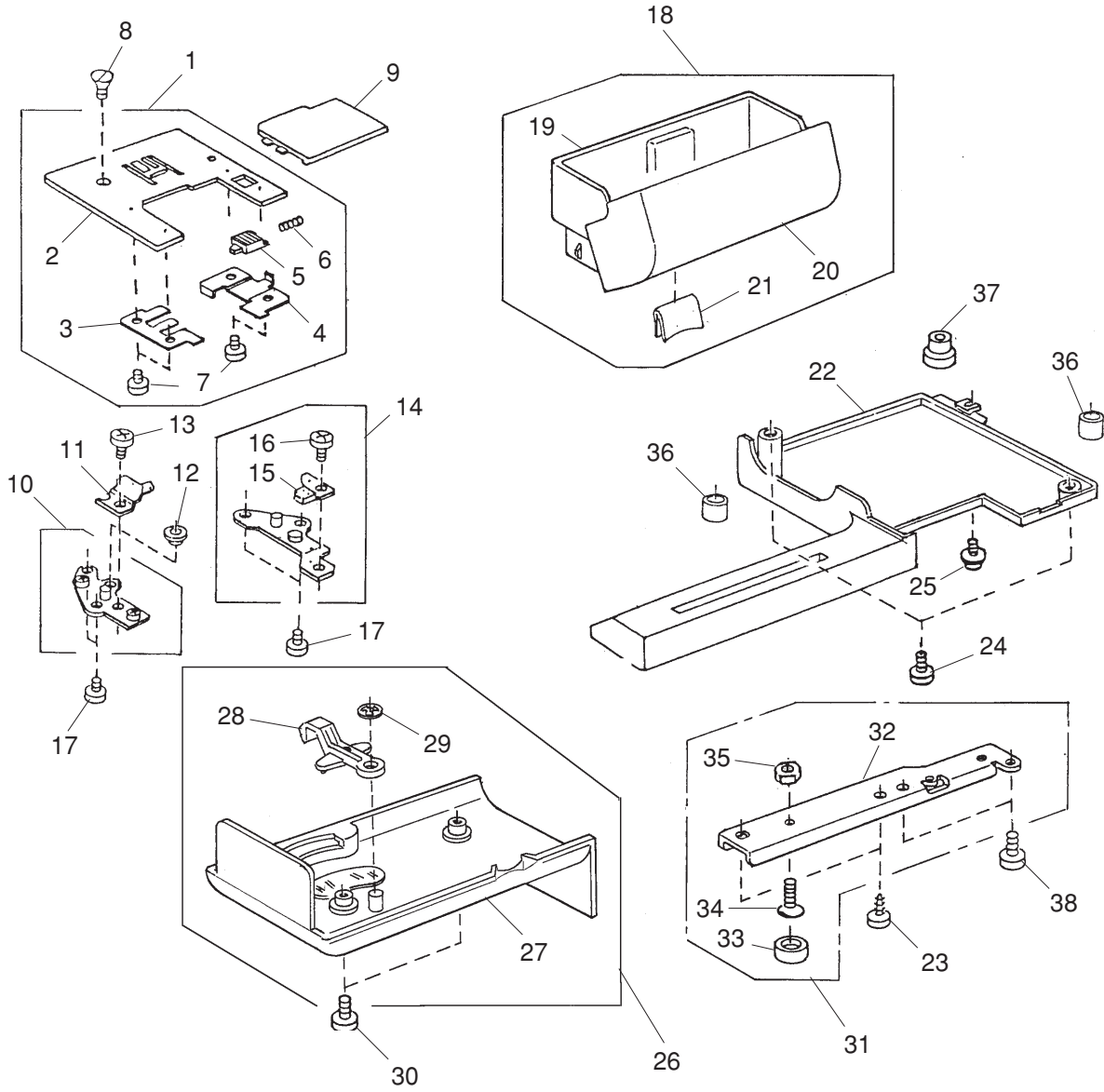
PARTS LIST



PARTS LIST

KEY NO.	PARTS NO.	DESCRIPTION
1	753604005	TOP COVER (UNIT)
2	753605006	TOP COVER (UNIT)
3	753012000	TOP COVER
4	753013001	FLIP-TOP SEWING INSTRUCTION PANEL
5	753154005	BH STICKER
6	753014002	HINGE ROD (RIGHT)
7	753129001	HINGE ROD (LEFT)
8	000120203	TAPPING SCREW 3X8 (B)
9	753015003	TOP COVER BODY
10	822016609	SPOOL PIN
11	822017002	PIN
12	822018003	SPRING
13	000107318	TAPPING SCREW 3X8 (B)
14	730501011	BOBBIN WINDER THREAD GUIDE (UNIT)
15	000160102	ADJUSTABLE NUT 4
16	753502002	TOP COVER THREAD GUIDE BASE (UNIT)
17	693093006	SETSCREW
18	000062701	NUT
19	687022005	BOBBIN WINDER STOPPER
20	000066727	SETSCREW 3X8
21	630005006	NUT
22	000170507	SETSCREW 4X12
23	000080901	SETSCREW 4X25
24	686016302	FOOT CONTAINER
25	000120214	TAPPING SCREW 3X8 (B)
26	753668007	FACE COVER (UNIT)
27	753262007	FACE COVER
28	650025004	FACE COVER SPRING
29	000076502	SETSCREW 3X8
30	840602006	THREAD CUTTER (UNIT)
31	724025006	REFLECTING STICKER (2)
32	366501102	FACE COVER HINGE
33	000081119	SETSCREW 4X6

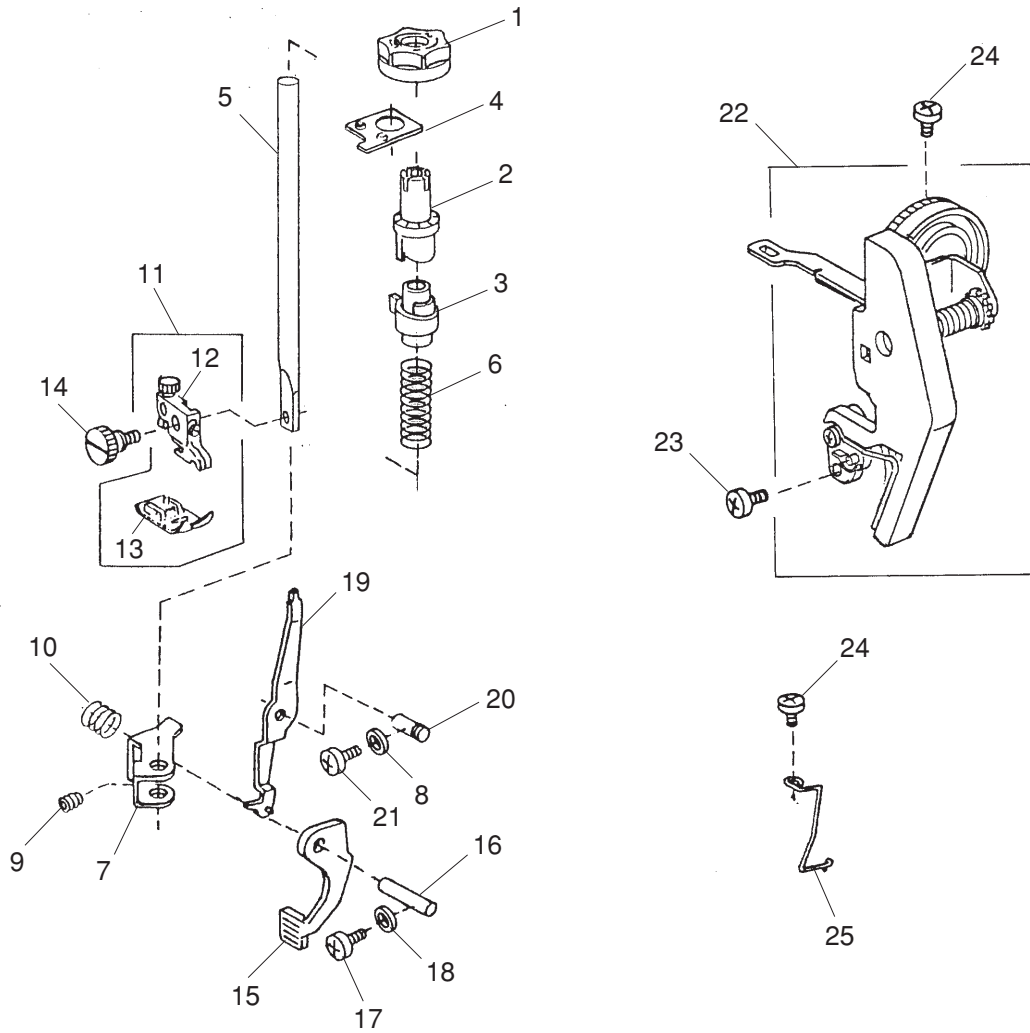
PARTS LIST



PARTS LIST

KEY NO.	PARTS NO.	DESCRIPTION
1	754636102	NEEDLE PLATE (UNIT)
2	754052108	NEEDLE PLATE
3	752005007	HOOK COVER PLATE HOLDER (LEFT)
4	825015010	HOOK COVER PLATE HOLDER (RIGHT)
5	825016000	HOOK COVER PLATE RELEASE BUTTON
6	825017001	HOOK COVER PLATE HOLDER SPRING
7	820374004	SET SCREW 2X2.3
8	820390109	NEEDLE PLATE SET SCREW
9	750036012	HOOK COVER PLATE
10	650602001	NEEDLE PLATE ADJUSTING PLATE (LEFT) (UNIT)
11	822011109	BOBBIN HOLDER STOPPER
12	822314002	NUT
13	000103808	SET SCREW 3X5
14	650603002	NEEDLE PLATE ADJUSTING PLATE (RIGHT) (UNIT)
15	627567001	SHUTTLE HOOK STOPPER (UNIT)
16	810220003	SET SCREW
17	000107503	TAPPING SCREW 4X6
18	753526002	EXTENSION TABLE (UNIT)
19	753006001	EXTENSION TABLE
20	753007002	EXTENSION TABLE LID
21	686010007	EXTENSION TABLE SPRING
22	753003019	BASE
23	000075604	TAPPING SCREW 4X12
24	000081005	SET SCREW 4X8
25	000115205	TP SCREW 4X6
26	753601002	BED COVER (UNIT)
27	652005107	BED COVER
28	753005000	DROP FEED LEVER
29	000013903	SNAP RING CS-5
30	000101703	SET SCREW 4X12
31	753641004	ARM SOLE (UNIT)
32	753002007	ARM SOLE
33	735002001	RUBBER CUSHION
34	000097303	FLAT SCREW
35	000061319	NUT
36	647009002	BED RUBBER CUSHION
37	735003002	RUBBER BASE
38	000066808	SET SCREW 6X14

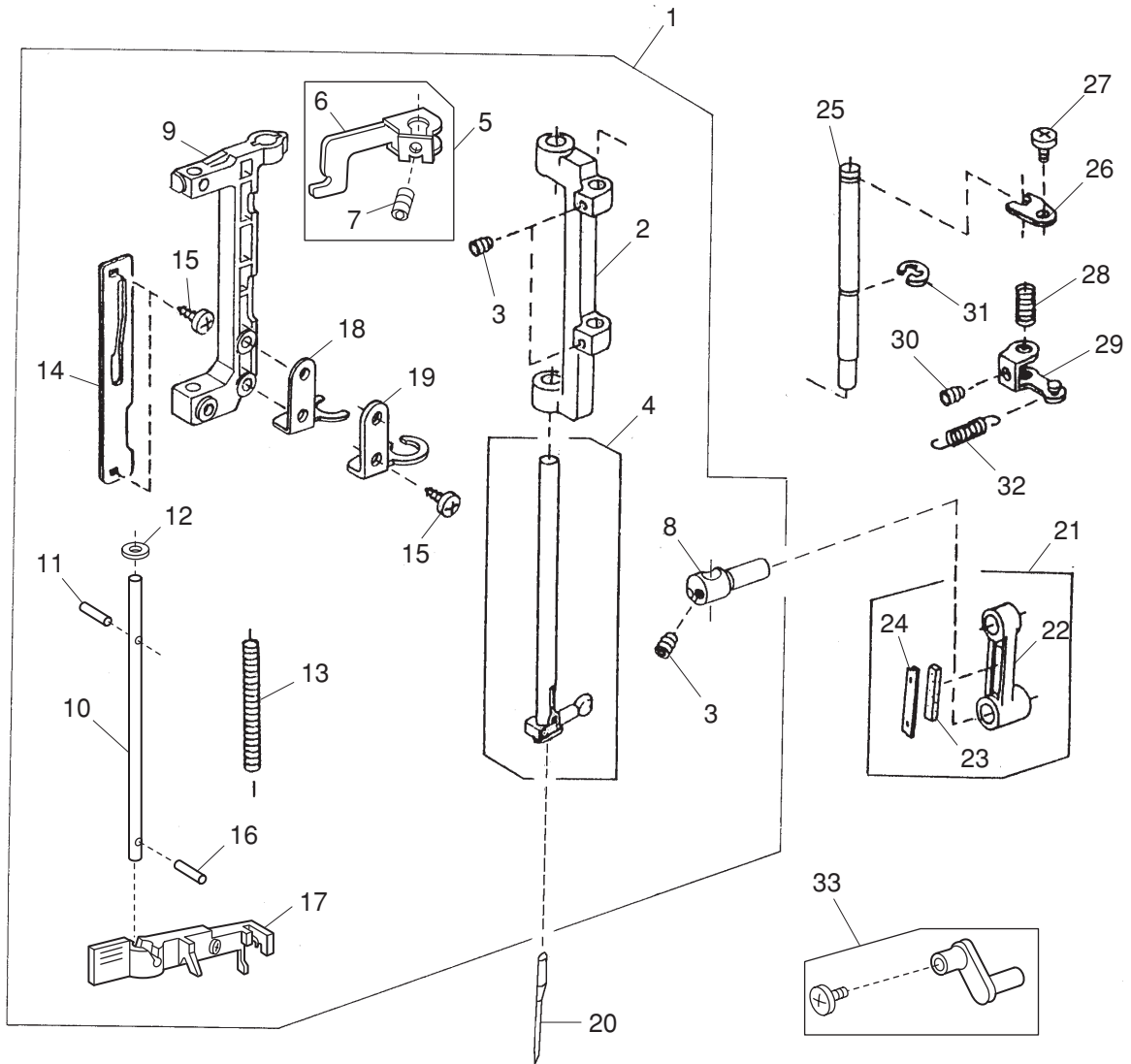
PARTS LIST



PARTS LIST

KEY NO.	PARTS NO.	DESCRIPTION
1	822065201	PRESSER DIAL
2	686027007	PRESSER ADJUSTING CAM (1)
3	686028008	PRESSER ADJUSTING CAM (2)
4	824009007	PRESSER ADJUSTING CAM HOLDER
5	102801008	PRESSER BAR
6	815023009	PRESSER BAR SPRING
7	686074009	PRESSER BAR BRACKET
8	671060006	WASHER
9	000111108	SOCKET SCREW 4X6
10	102222009	DARNER SPRING
11	825509038	PRESSER FOOT (UNIT)
12	804509000	FOOT HOLDER (UNIT)
13	825510032	PRESSER FOOT (UNIT)
14	647112009	THUMB SCREW
15	652145007	PRESSER FOOT LIFTER
16	822072005	PRESSER BAR LIFTER PIN
17	000103509	SET SCREW 4X10
18	000072302	WASHER
19	652146008	THREAD TENSION RELEASE LEVER
20	652042003	THREAD TENSION RELEASE LEVER PIN
21	000081005	SET SCREW 4X8
22	753503003	THREAD TENSION DIAL (UNIT)
23	000101703	SET SCREW 4X12
24	000101404	SET SCREW 4X6
25	652137006	ARM THREAD GUIDE (2)

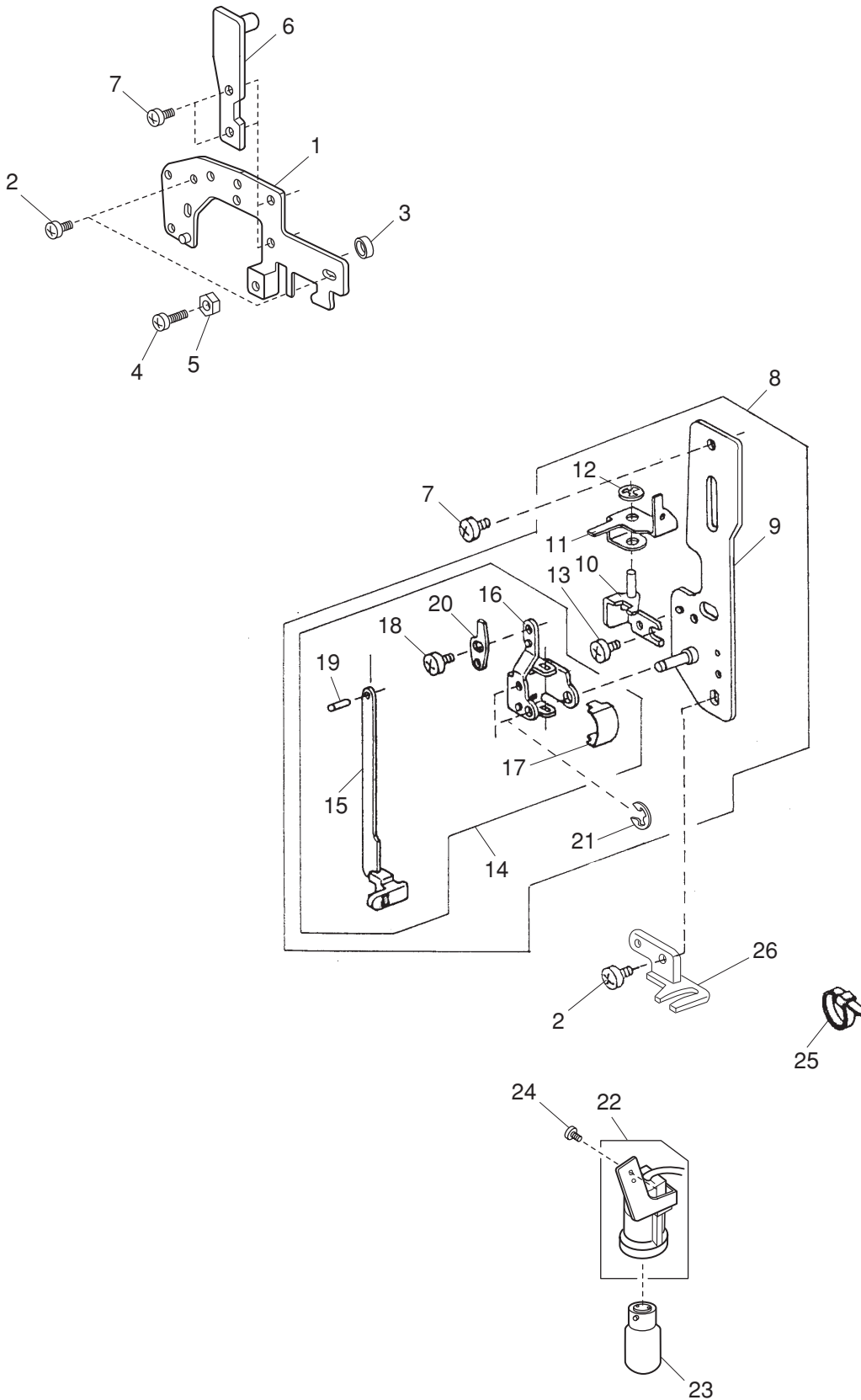
PARTS LIST



PARTS LIST

KEY NO.	PARTS NO.	DESCRIPTION
1	753669008	NEEDLE BAR SUPPORTER (UNIT)
2	751014006	NEEDLE BAR SUPPORTER
3	000111201	SOCKET SCREW 4X4
4	751630004	NEEDLE BAR (UNIT)
5	807607019	THREADER POSITIONING PLATE (UNIT)
6	807018109	THREADER POSITIONING PLATE
7	000111902	SOCKET SCREW 3X4
8	751047008	NEEDLE BAR CONNECTING STUD
9	751017009	THREADER FRAME
10	840036003	THREADER SHAFT
11	000122906	PIN 2X14-CH
12	734107004	WASHER
13	827091005	THREADER SHAFT SPRING
14	653036029	THREADER GUIDE PLATE
15	000161206	SETSCREW 3X10 (B)
16	000003508	SPRING PIN 2X8
17	639643009	THREADER PLATE
18	751101001	THREADER FRAME SPRING
19	751019001	THREADER FRAME (UNDER)
20	102408089	NEEDLE HA1-14
21	650607006	NEEDLE BAR CRANK ROD (UNIT)
22	650039001	NEEDLE BAR CRANK ROD
23	650040005	FELT
24	650041006	FELT HOLDER SPRING
25	650033005	SUPPORTER SHAFT
26	650034006	SUPPORTER SHAFT SET PLATE
27	000101404	SET SCREW 4X6
28	650036008	SPRING
29	650035007	ZIGZAG WIDTH CRANK
30	000111108	SOCKET SCREW 4X6
31	000001609	SNAP RING E-5
32	686085003	SPRING
33	652512009	NEEDLE BAR CRANK PIN

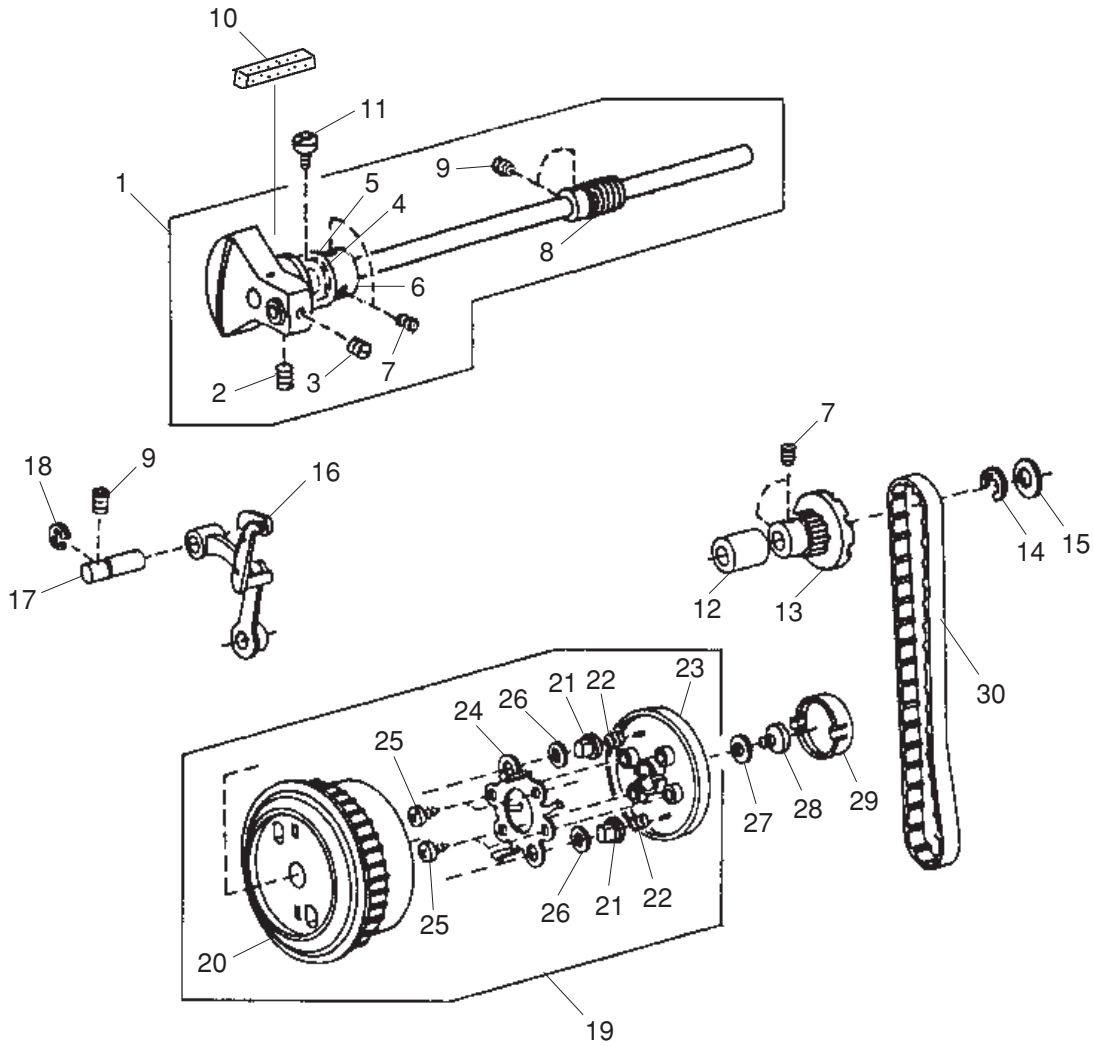
PARTS LIST



PARTS LIST

KEY NO.	PARTS NO.	DESCRIPTION
1	753216006	LAMP SET PLATE
2	000081005	SET SCREW 4X8
3	685042005	SUPPORTER STOPPER
4	000104809	SET SCREW 4X35
5	000160102	ADJUSTABLE NUT 4
6	686059008	CARRYING HANDLE SUPPORTER
7	000101404	SET SCREW 4X6
8	757604100	FRONT BASE PLATE (UNIT)
9	757008108	FRONT BASE PLATE
10	753023015	DRAG ROD LINK (FRONT) HOLDER
11	753210000	DRAG ROD LINK (FRONT)
12	000014007	SNAP RING CS-4
13	000081119	SET SCREW 4X6
14	753626003	BH LEVER (UNIT)
15	753629109	BH LEVER (UNIT)
16	753247006	BH LEVER SUPPORTER
17	753027008	FRICTION SPRING
18	652203004	SET SCREW 3X3.5
19	000023009	SPRING PIN
20	753029000	BH LEVER ADJUSTING PLATE
21	000001207	SNAP RING E-2.5
22	753670002	LAMP SOCKET (UNIT)
23	000009009	LAMP 240V 15W BA15D
24	000103808	SET SCREW 3X5
25	000053008	CORD BINDER
26	757007004	THREAD GUIDE

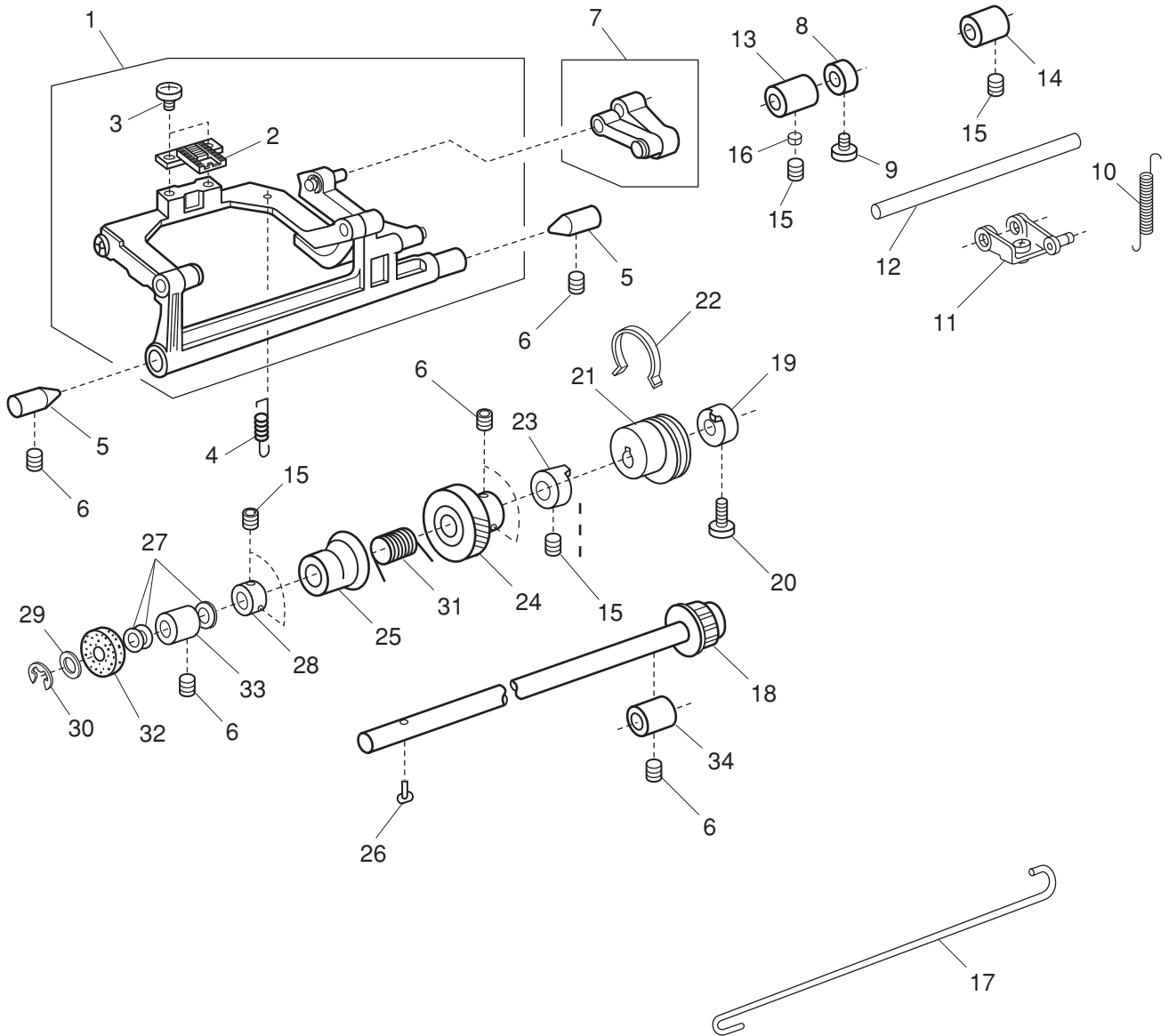
PARTS LIST



PARTS LIST

KEY NO.	PARTS NO.	DESCRIPTION
1	686623009	UPPER SHAFT COMP (UNIT)
2	102073003	SET SCREW
3	102063000	SET SCREW
4	829042007	UPPER SHAFT FRONT BUSHING
5	000038605	WASHER
6	673063016	UPPER SHAFT RING
7	000111304	SOCKET SCREW 5X5
8	650060001	WORM
9	000111201	SOCKET SCREW 4X4
10	731384008	FELT
11	000101301	SET SCREW 5X10
12	673062004	UPPER SHAFT REAR BUSHING
13	650063004	UPPER SHAFT TIMING GEAR
14	000030205	SNAP RING E-8
15	000038605	WASHER
16	820511108	THREAD TAKE-UP LEVER (UNIT)
17	650062003	PIN
18	000002806	SNAP RING E-6
19	650609503	HANDWHEEL (UNIT)
20	650064500	HANDWHEEL
21	650065006	CLUTCH PIN
22	650066007	CLUTCH PIN SPRING
23	650067503	CLUTCH KNOB
24	650068009	SPRING
25	000107307	TAPPING SCREW 3X8 (B)
26	000036201	WASHER
27	000070609	WASHER
28	000101208	SET SCREW 5X6
29	650070509	CAP
30	650071005	TIMING BELT

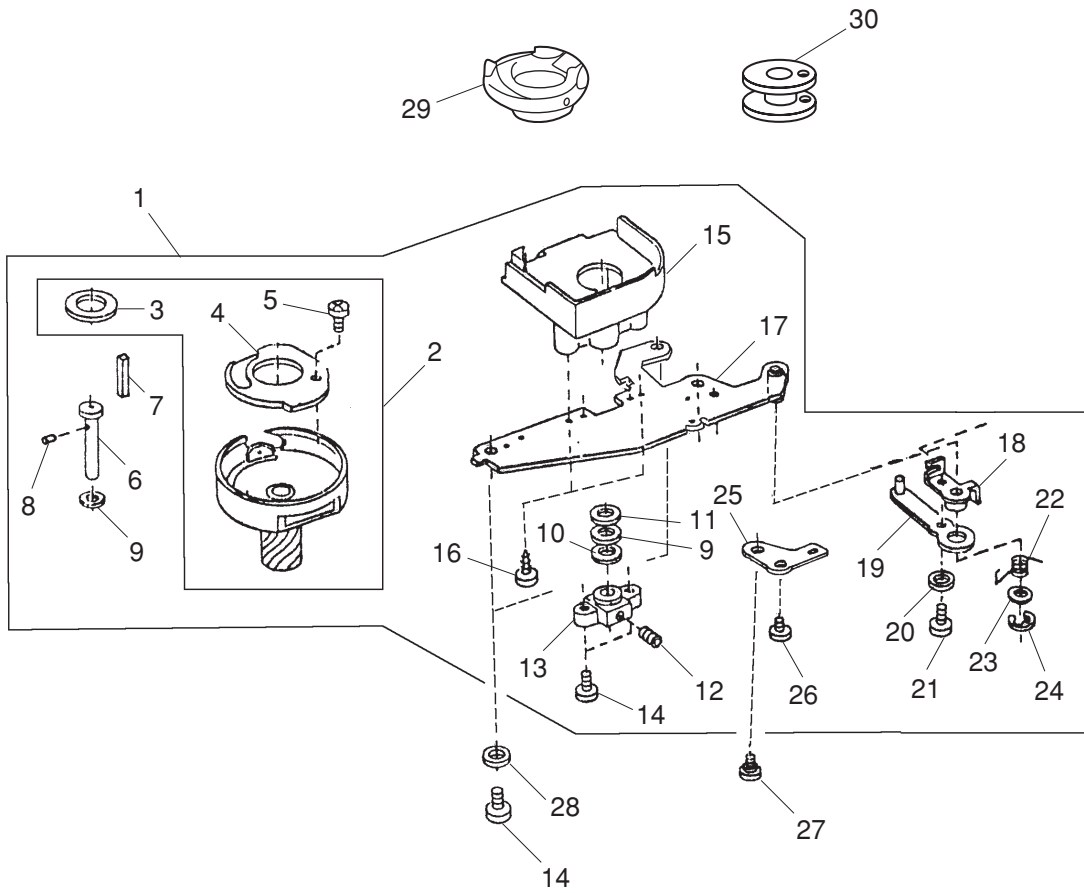
PARTS LIST



PARTS LIST

KEY NO.	PARTS NO.	DESCRIPTION
1	751640306	FEED SHAFT (UNIT)
2	840005003	FEED DOG
3	000104005	SET SCREW 3.5X8
4	650085002	SPRING
5	738055008	STRAIGHT PIN
6	000111304	SOCKET SCREW 5X5
7	650612004	FEED REGULATOR (UNIT)
8	820387000	RING
9	000081005	SET SCREW 4X8
10	753033007	REGULATOR SPRING
11	652607002	FEED REGULATING ARM (UNIT)
12	650091001	FEED SHAFT
13	625144002	BUSHING (FRONT)
14	650092002	FEED SHAFT BUSHING (REAR)
15	000111201	SOCKET SCREW 4X4
16	650175000	CUSHION
17	650101005	FEED TRANSFORMING ROD
18	686613006	LOWER SHAFT (UNIT)
19	650074008	FEED CAM RING
20	000121606	TAPPING SCREW 3X12 (S)
21	625120105	FEED CAM
22	627207000	SPRING
23	625118007	FEED CAM RING
24	650955002	LOWER SHAFT GEAR
25	753183025	FEED LIFTING CAM
26	820161006	FEED LIFTING PIN
27	000038502	WASHER
28	820166001	RING
29	858177002	WASHER
30	000002806	SNAP RING E-6
31	686035008	SPRING
32	735143005	FELT
33	650078002	LOWER SHAFT BUSHING (FRONT)
34	650079003	LOWER SHAFT BUSHING (REAR)

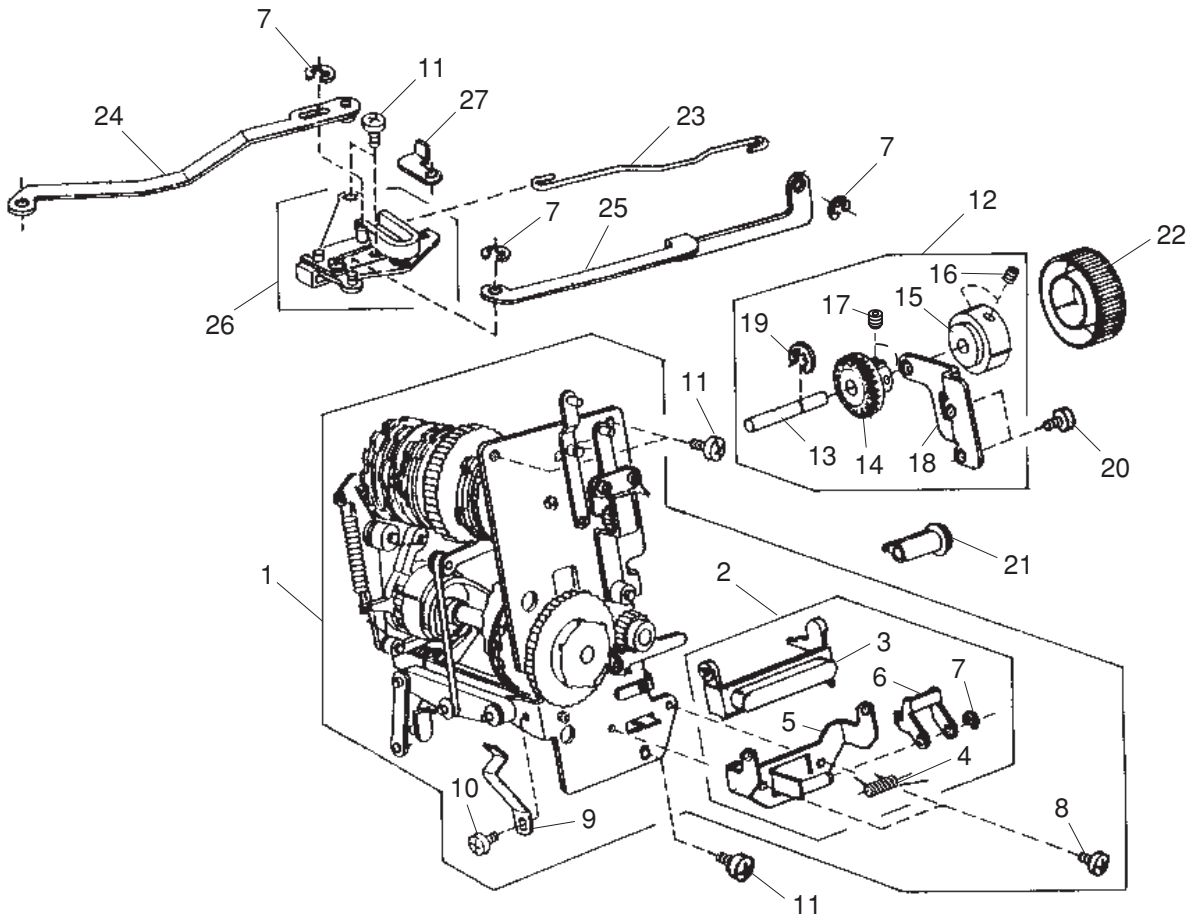
PARTS LIST



PARTS LIST

KEY NO.	PARTS NO.	DESCRIPTION
1	650614110	HOOK (UNIT)
2	652623004	SHUTTLE BODY (UNIT)
3	627190010	HOOK RACE MAGNET
4	627191000	HOOK RACE BOTTOM PLATE
5	820374004	SET SCREW 2X2.3
6	820123006	HOOK DRIVER SHAFT
7	820124007	HOOK SHAFT OIL FELT (1)
8	820125008	HOOK SHAFT OIL FELT (2)
9	000038409	WASHER
10	625102008	PLAIN WASHER
11	627192001	WASHER
12	000111304	SOCKET SCREW 5X5
13	650094004	HOOK SHAFT BASE
14	000081005	SET SCREW 4X8
15	827040009	HOOK GEAR COVER
16	000107204	TAPPING SCREW 3X12 (B)
17	650096006	HOOK BASE PLATE
18	650097007	FEED SHIFT ARM
19	650098008	FEED SHIFT PLATE
20	000070218	PLAIN WASHER
21	000103808	SET SCREW 3X5
22	650099009	FEED SHIFT SPRING
23	650023002	WASHER
24	000002105	SNAP RING E-3
25	650171006	SET PLATE
26	000101404	SET SCREW 4X6
27	650172007	HINGE SCREW
28	000070506	POLISHED PLAIN WASHER 4
29	627569106	BOBBIN HOLDER
30	102261000	BOBBIN

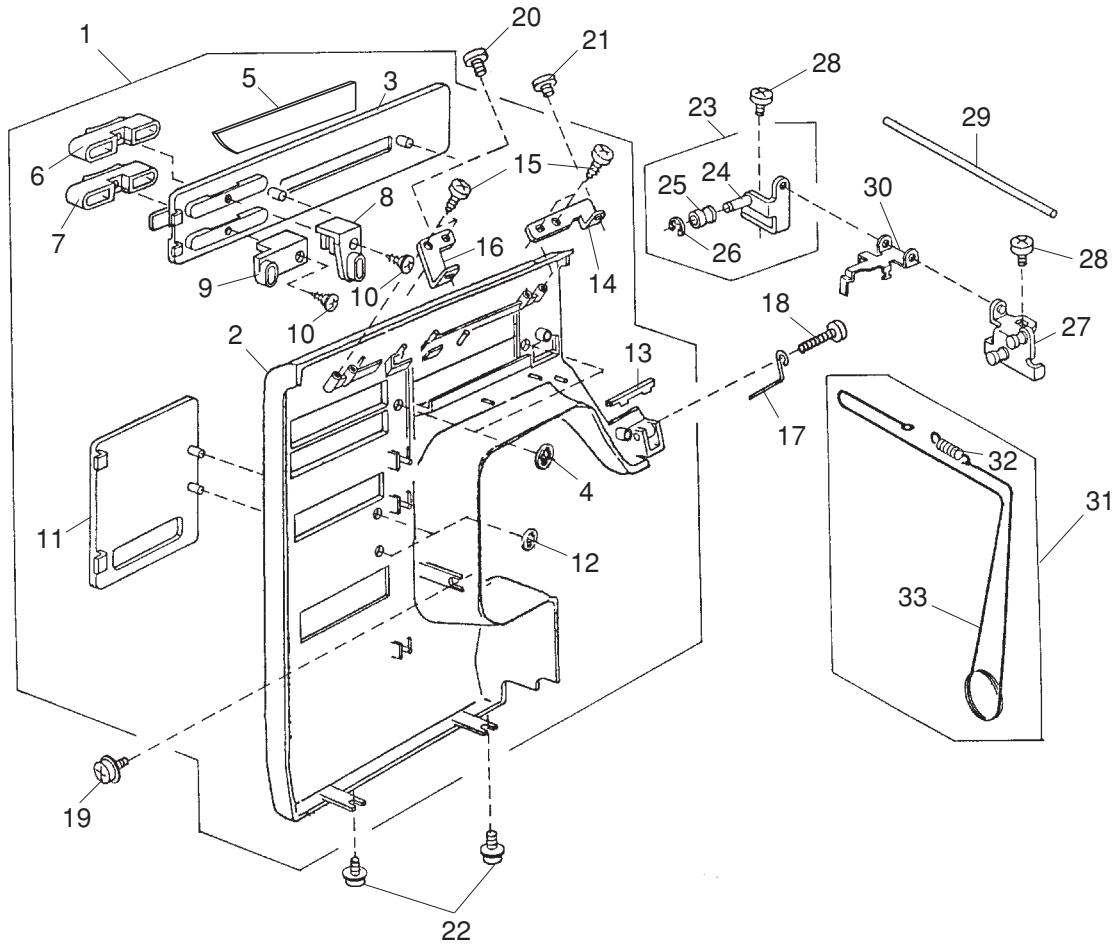
PARTS LIST



PARTS LIST

KEY NO.	PARTS NO.	DESCRIPTION
1	753623000	CAM BLOCK (UNIT)
2	753611005	REVERSE BUTTON (UNIT)
3	753047004	REVERSE BUTTON
4	753147005	REVERSE BUTTON SPRING
5	753046003	REVERSE BUTTON SUPPORTER
6	753150001	REVERSE BUTTON ARM (2)
7	000002105	SNAP RING E-3
8	000078319	SET SCREW 3X6
9	753061004	PATTERN SELECTOR INDEX SPRING
10	000101105	SET SCREW 3X4
11	000081005	SET SCREW 4X8
12	753647000	PATTERN SELECTOR DIAL SHAFT (UNIT)
13	753203114	PATTERN SELECTOR DIAL SHAFT
14	753082104	DIAL GEAR
15	753202009	PATTERN SELECTOR DIAL SEAT
16	000111201	HEXAGON SOCKET SCREW 4X4
17	000115009	TP SET SCREW 3X8
18	753083013	DIAL SUPPORTER
19	000001609	SNAP RING E-5
20	000101404	SET SCREW 4X6
21	650162509	SS CONTROL DIAL
22	753201008	PATTERN SELECTOR DIAL
23	650155004	ZZ WIDTH ROD
24	650156005	ZIGZAG ARM (FRONT)
25	753084003	ZZ WIDTH ADJUSTING ROD
26	686618104	ZIGZAG ARM (UNIT)
27	688003003	ZIGZAG STOPPER

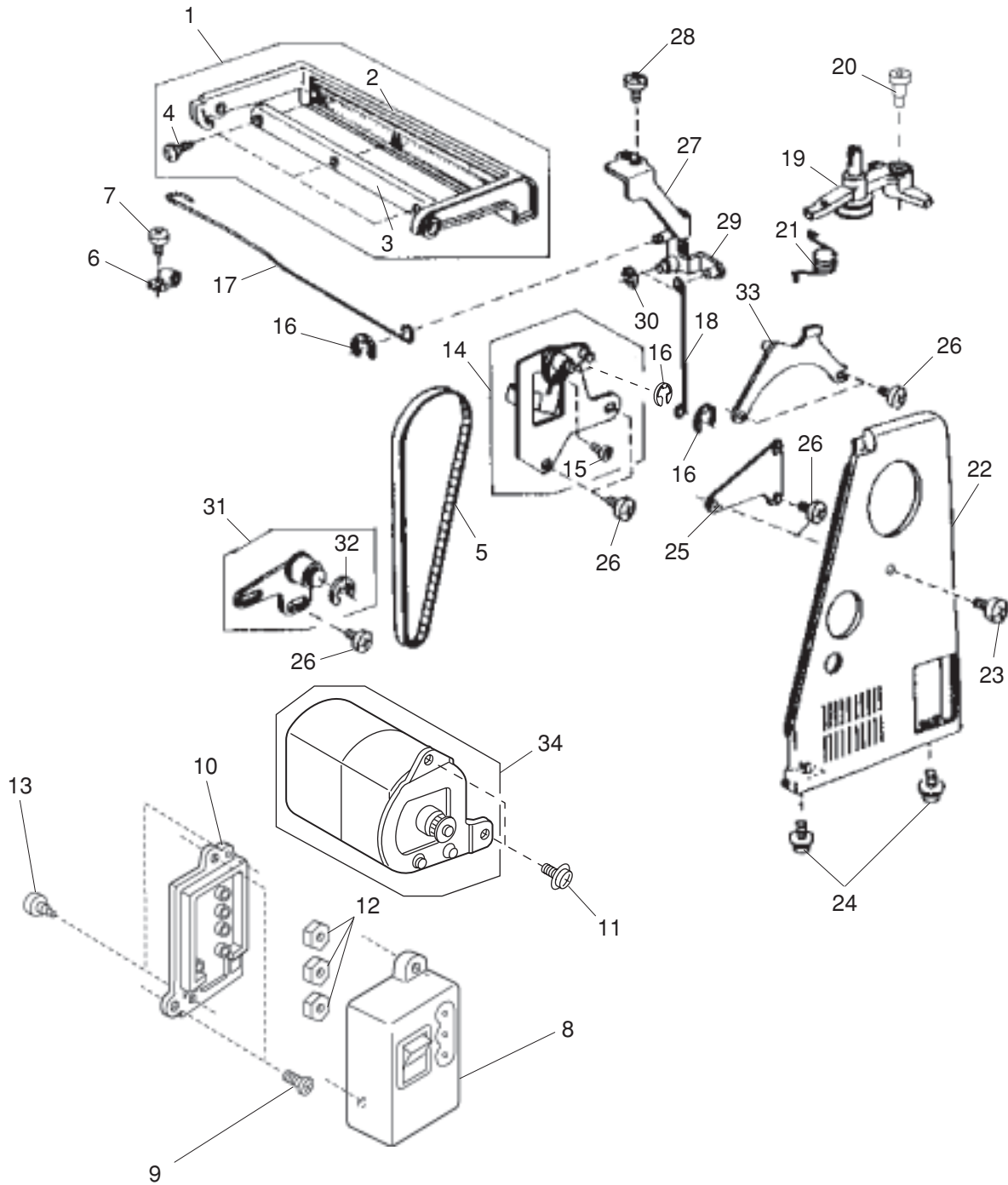
PARTS LIST



PARTS LIST

KEY NO.	PARTS NO.	DESCRIPTION
1	753660135	FRONT COVER (UNIT)
2	753100132	FRONT COVER
3	753225835	STITCH PATTERN PLATE FLAME
4	000014007	SNAP RING CS-4
5	753226180	STITCH PATTERN PLATE
6	753227550	SLIDER (1)
7	753227561	SLIDER (1)
8	753104011	ZIGZAG WIDTH ADJUSTING SLIDER
9	753105012	FEED ADJUSTING SLIDER
10	000163105	SETSCREW 2.3X5
11	753156292	R BUTTON FLAME
12	000014306	SNAP RING CS-3
13	753125007	THREAD GUARD PLATE
14	753108004	FRONT COVER BASE PLATE (FRONT)
15	000120203	SETSCREW 3X8 (B)
16	753109005	FRONT COVER BASE PLATE (REAR)
17	753126008	ARM THREAD GUIDE
18	000092917	SET SCREW 3.5X27
19	000115607	TP SCREW 4X8
20	000081005	SET SCREW 4X8
21	000101105	SET SCREW 3X4
22	000115205	TP SCREW 4X6
23	753616103	INDICATOR GUIDE HOLDER (FRONT) (UNIT)
24	753209006	INDICATOR GUIDE HOLDER (FRONT)
25	753208005	GUIDE ROLLER
26	000001207	SNAP RING E-2.5
27	753111000	INDICATOR GUIDE HOLDER (REAR)
28	000101404	SET SCREW 4X6
29	753112104	INDICATOR GUIDE
30	753196102	INDICATOR
31	753618002	INDICATOR STRING (UNIT)
32	818033001	INDICATOR STRING SPRING
33	753113002	INDICATOR STRING

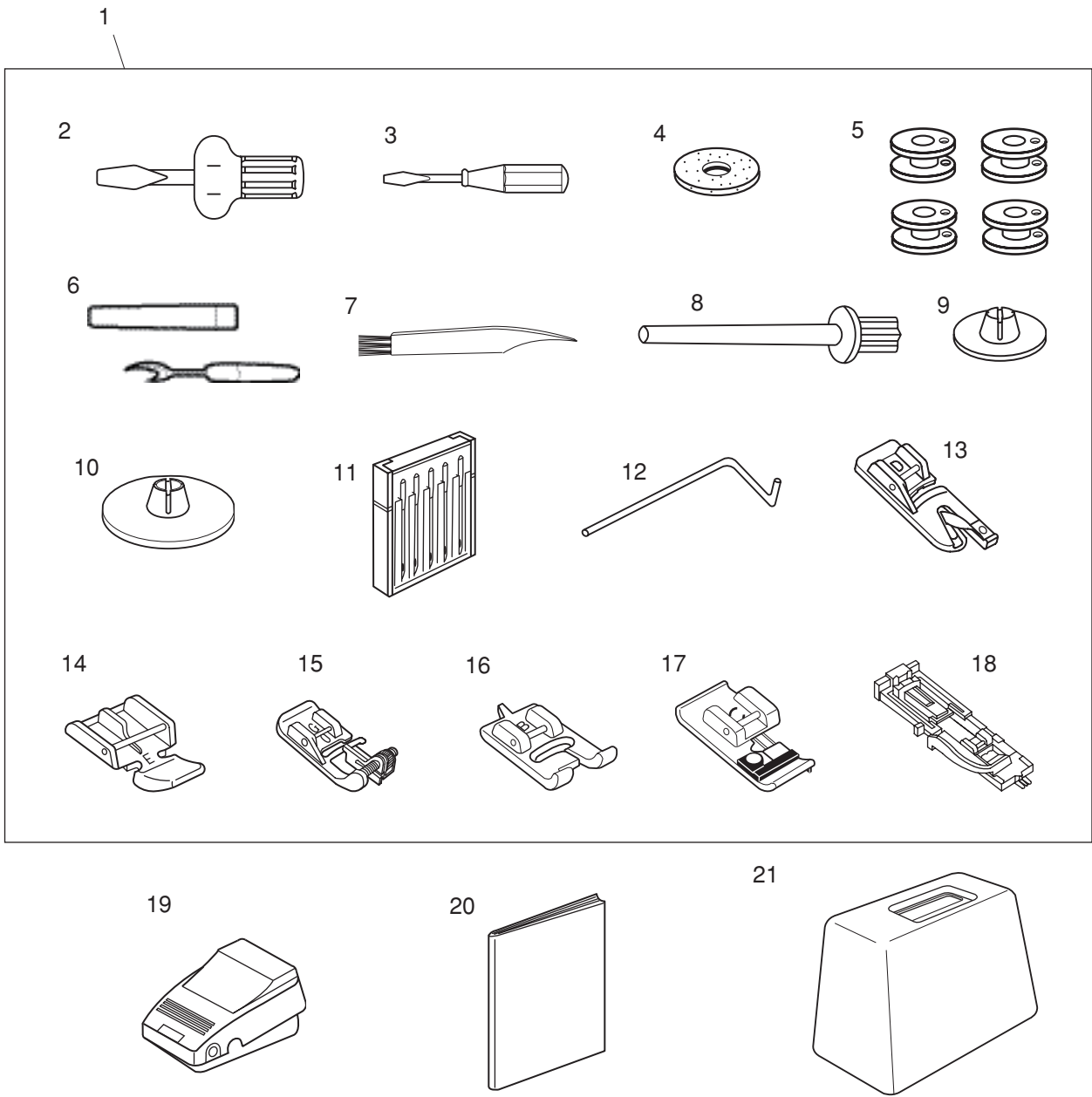
PARTS LIST



PARTS LIST

KEY NO.	PARTS NO.	DESCRIPTION
1	753620007	CARRYING HANDLE (UNIT)
2	753121003	CARRYING HANDLE
3	753122004	CARRYING HANDLE PLATE
4	000120502	FLAT TAPPING SCREW 3X8 (B)
5	650166008	TIMING BELT
6	000188405	NYLON CLIP
7	000101404	SET SCREW 4X6
8	739503308	MACHINE SOCKET (UNIT)
9	000103509	SET SCREW 4X10
10	739037007	MACHINE SOCKET SET PLATE
11	000115504	SET SCREW 5X10
12	000060802	NUT 3-1-5.5
13	000076317	SET SCREW 3X10
14	753614008	STEP-UP BASE (UNIT)
15	000101507	SET SCREW 3.5X5
16	000002105	SNAP RING E-3
17	753098000	BH DRAG ROD
18	753099012	BH DRAG ROD (2)
19	653508005	BOBBIN WINDER (UNIT)
20	686063005	HINGE SCREW
21	823119008	BOBBIN WINDER FRAME SPRING
22	753115004	BELT COVER
23	000101806	SET SCREW 4X16
24	000115205	TP SCREW 4X6
25	753116005	BELT COVER RETAINING PLATE
26	000081005	SET SCREW 4X8
27	753117006	DRAG ROD LINK BASE
28	810220003	SET SCREW
29	753118007	DRAG ROD LINK
30	000014007	SNAP RING CS-4
31	753619003	IDLER (UNIT)
32	000002806	SNAP RING E-6
33	753120002	CARRYING HANDLE SUPPORTER PLATE
34	754623003	MOTOR (UNIT)

PARTS LIST



PARTS LIST

KEY NO.	PARTS NO.	DESCRIPTION
1	753870107	ACCESSORIES (UNIT)
2	820832005	SCREWDRIVER (LARGE)
3	647803004	SCREWDRIVER (SMALL)
4	102403109	FELT
5	102261000	BOBBIN
6	647808009	SEAM RIPPER
7	802424004	LINT BRUSH
8	625031500	SPOOL PIN
9	822019509	SPOOL HOLDER (SMALL)
10	822020503	SPOOL HOLDER (LARGE)
11	540401026	NEEDLE SET
12	802422002	QUILT BAR
13	820809014	HEMMER FOOT
14	829801002	ZIPPER FOOT
15	820817015	BLIND HEM FOOT
16	820801016	BUTTONHOLE FOOT
17	820804019	OVEREDGE FOOT
18	753801004	AUTOMATIC BUTTONHOLE FOOT (R)
19	C-2040-1	FOOT CONTROL
20	753800313	INSTRUCTION BOOK
21	476708002	COVER