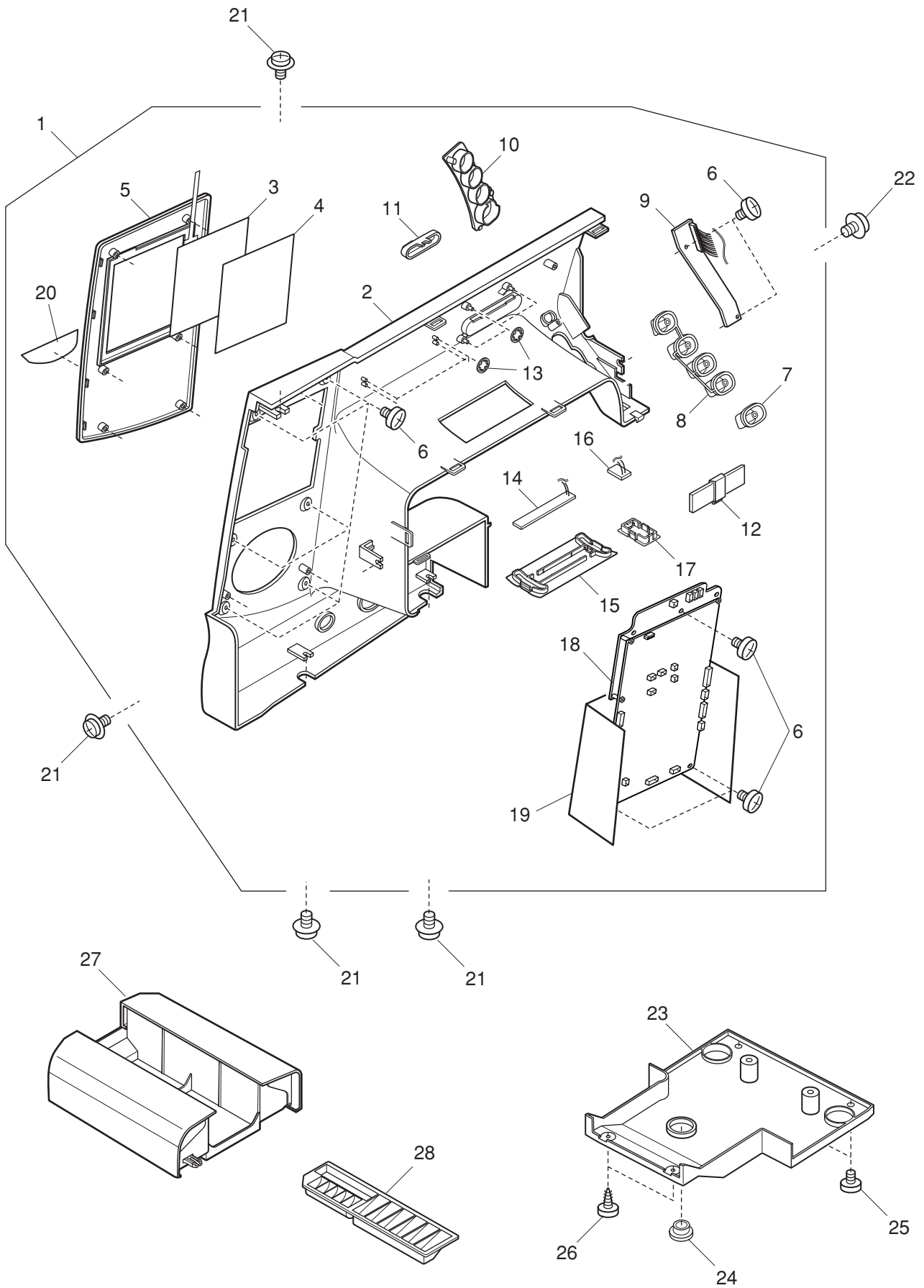


# **PARTS LIST**

**MODEL: MC8200QC**

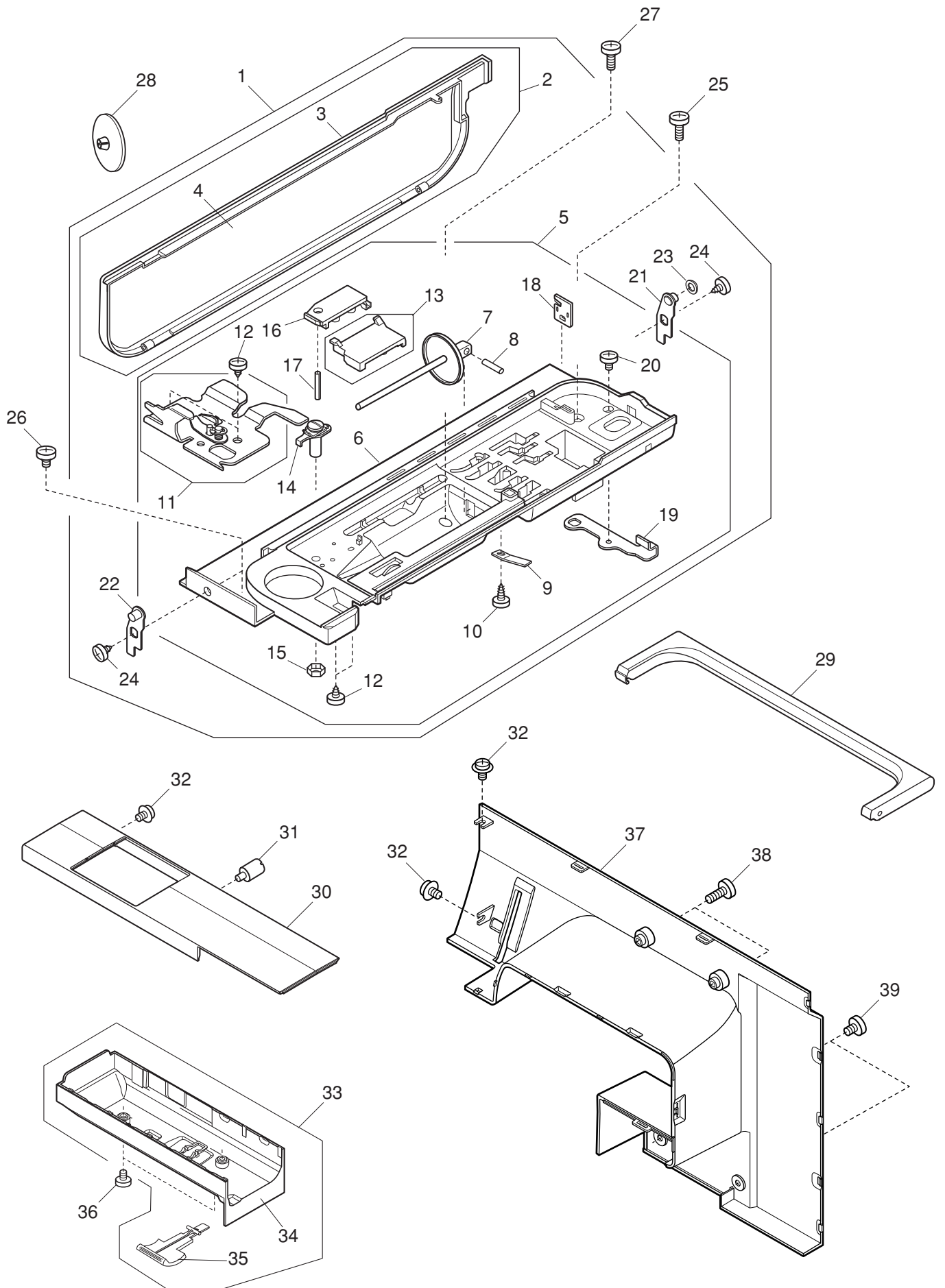
# PARTS LIST



# PARTS LIST

KEY NO.	PARTS NO.	DESCRIPTION
1	858695001	Front cover (unit)
2	858099113	Front cover
3	852524000	Touch panel (unit)
4	858299001	Touch panel sheet
5	858297102	Touch panel cover
6	000120203	Setscrew 3x8 (B)
7	858102109	Start/stop button
8	858103203	Function button
9	858504208	Printed circuit board F (unit)
10	858104101	Button cover
11	858105009	Slide volume
12	653507004	Slide volume (unit)
13	000014306	Snap ring CS-3
14	858502206	Printed circuit board L1 (unit)
15	858106000	LED cover 2
16	858511600	Printed circuit board L2 (unit)
17	860167006	Lamp cover 2
18	858542002	Printed circuit board A (unit)
19	858300006	Flame retardant insulating paper
20	858301007	Emblem
21	000115205	Setscrew TP 4x6
22	000114710	Setscrew TP 3x6
23	858137000	Machine base
24	626045407	Cap
25	000081005	Setscrew 4x8
26	000161206	Setscrew 3x10 (B)
27	858501009	Extension table (unit)
28	858278004	Foot tray

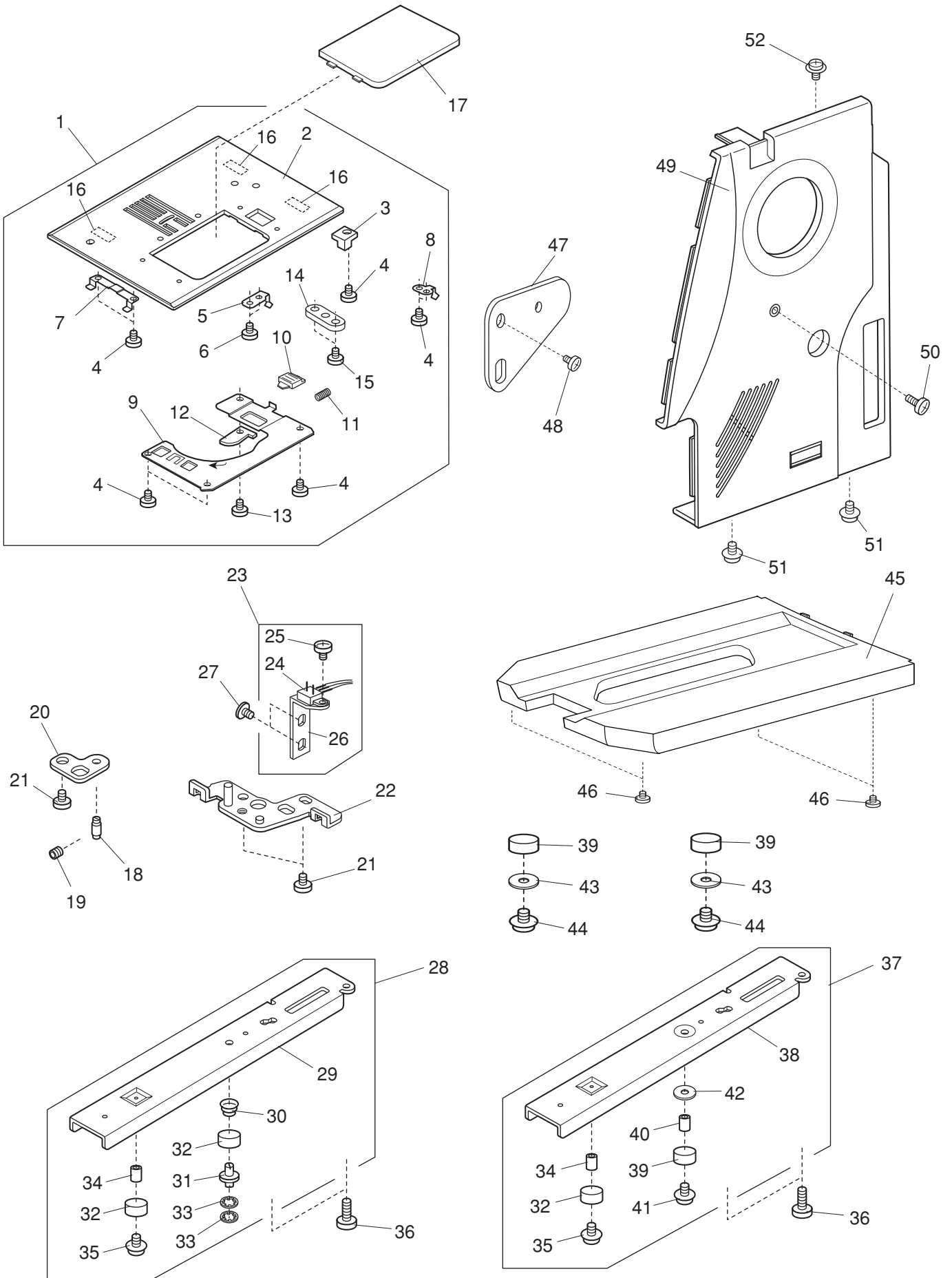
# PARTS LIST



# PARTS LIST

KEY NO.	PARTS NO.	DESCRIPTION
1	858679102	Top cover (unit)
2	858608801	Top cover (unit)
3	858020009	Top cover
4	858298000	Quick reference chart
5	858678008	Top cover body (unit)
6	858283002	Top cover body
7	859052003	Spool pin
8	822017002	Spool pin shaft
9	822018003	Spool pin spring
10	000107204	Setscrew 3x12 (B)
11	859541004	Thread guide (unit)
12	000107307	Setscrew 3x8 (B)
13	859648002	Thread guide cover (unit)
14	830503005	Bobbin winder thread guide (unit)
15	000160102	Adjustable lock nut 4
16	830011001	Bobbin winder thread guide cover
17	000020202	Spring pin
18	830505007	Thread cutter (unit)
19	830012013	Bobbin winder stopper
20	000103819	Setscrew 3x5
21	858023002	Top cover hinge (right)
22	858023105	Top cover hinge (left)
23	503169002	Washer
24	000161206	Setscrew 3x10 (B)
25	000080901	Setscrew 4x25
26	000066705	Setscrew 3x8
27	000170507	Setscrew 4x12
28	822020503	Spool holder
29	858024003	Carrying handle
30	858004317	Free arm cover
31	858165007	Pin
32	000115205	Setscrew TP 4x6
33	859614009	Bed cover (unit)
34	859039004	Bed cover
35	859040008	Lever
36	000081005	Setscrew 4x8
37	858006102	Rear cover
38	000101806	Setscrew 4x16
39	000101415	Setscrew 4x6

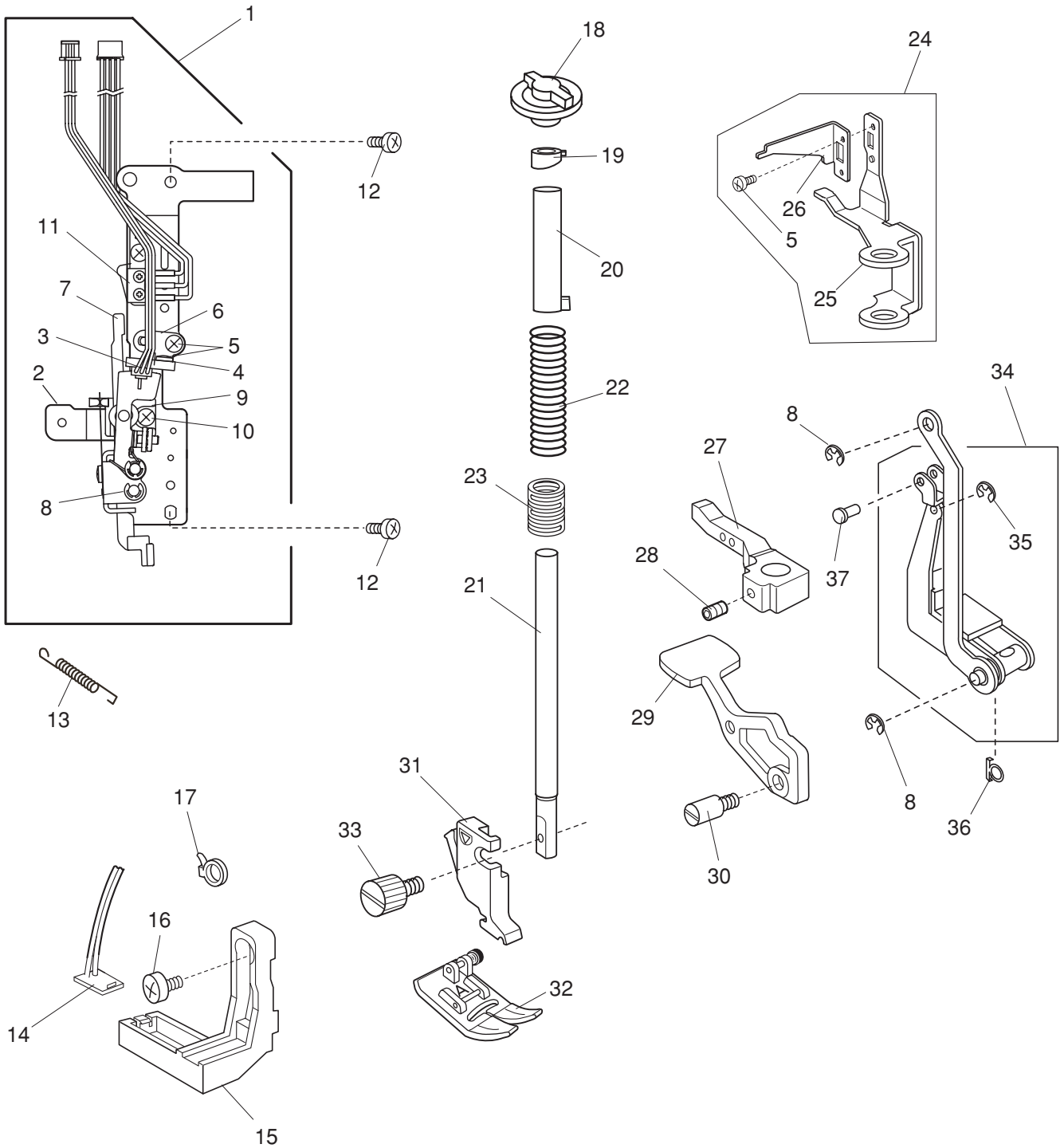
# PARTS LIST



# PARTS LIST

KEY NO.	PARTS NO.	DESCRIPTION
1	859616012	Needle plate (unit)
2	859045025	Needle plate
3	859046004	Needle plate sensor block
4	820374004	Setscrew 2x2.3
5	859047016	Spring
6	000169709	Setscrew 2x2.3
7	859048006	Needle plate set plate
8	859245005	Spring 2
9	846030016	Hook cover plate supporter
10	825016000	Hook cover plate release button
11	825017001	Spring
12	809044007	Rotation stopper
13	000097613	Setscrew 2x4
14	859271000	Guide plate
15	000102807	Setscrew 2x4
16	859272001	Rubber sheet
17	846271103	Hook cover plate
18	859270009	Needle plate positioning pin
19	000111201	Hexagonal socket screw 4x4
20	860003025	Needle plate nut set plate
21	810220106	Setscrew
22	859247018	Needle plate adjusting plate
23	859671200	Needle plate sensor (unit)
24	859524207	Switch (unit)
25	755096004	Setscrew
26	859246006	Switch set plate
27	000193001	Setscrew TP 4x6
28	858601000	Arm sole (front cover side) (unit)
29	858002005	Arm sole
30	858162004	Spring
31	820350004	Adjusting screw
32	605074008	Rubber foot
33	000014409	Snap ring CS-8
34	000141107	Bushing
35	000119106	Setscrew TP 4x10
36	000100702	Setscrew 6x10
37	858601103	Arm sole (rear cover side) (unit)
38	858002108	Arm sole
39	797363005	Rubber foot
40	000139504	Bushing
41	000115700	Setscrew TP 4x10
42	858149005	Spacer
43	000070300	Washer 5
44	784169009	Rubber foot setscrew
45	858003408	Base cover
46	000161206	Setscrew 3x10 (B)
47	858114001	Belt cover retaining plate
48	000081005	Setscrew 4x8
49	858115105	Belt cover
50	000103222	Setscrew 4x30
51	000115205	Setscrew TP 4x6
52	000114710	Setscrew TP 3x6

# PARTS LIST

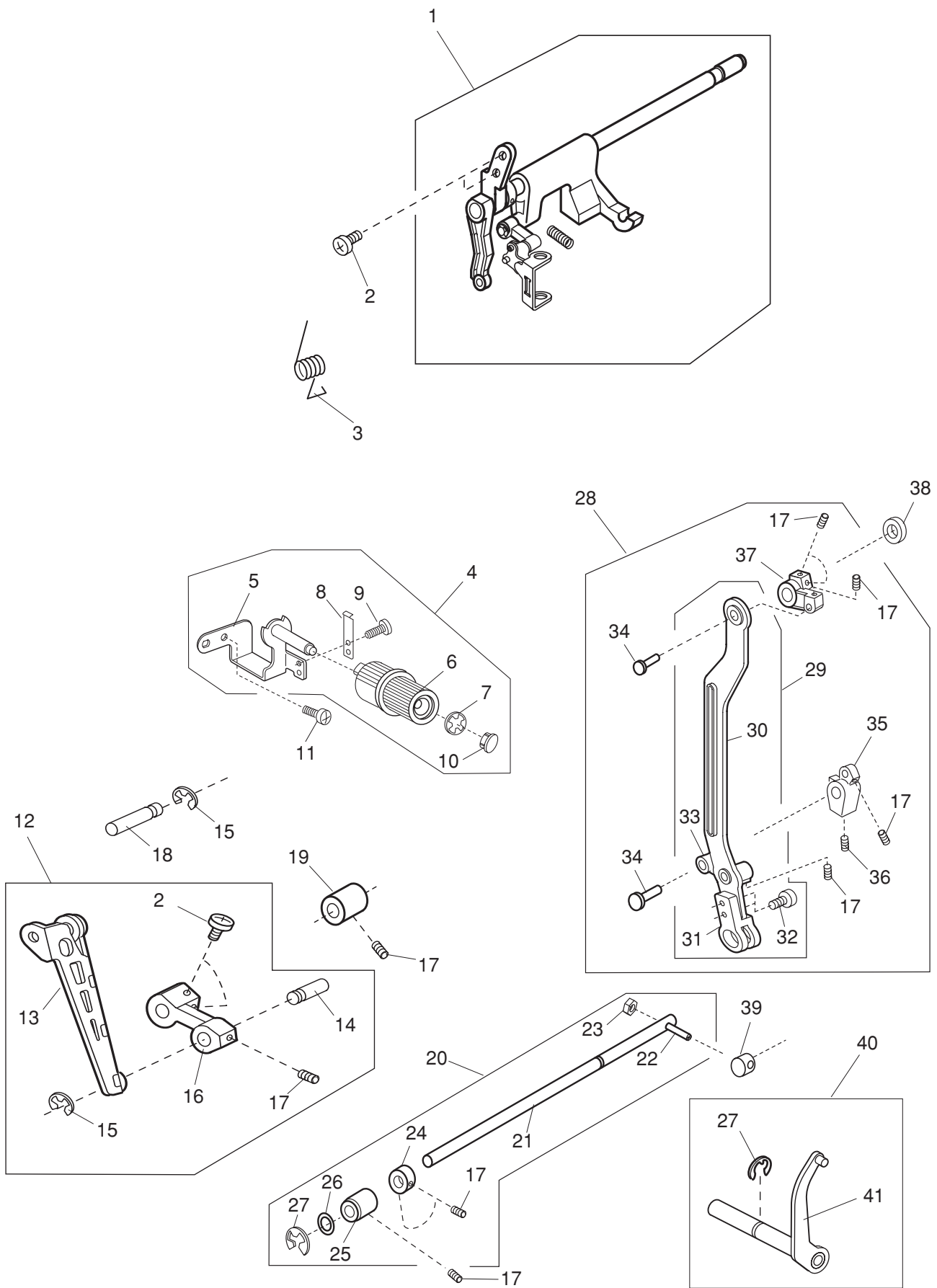




# PARTS LIST

KEY NO.	PARTS NO.	DESCRIPTION
1	858612107	Front bracket (unit)
2	858031014	Front bracket
3	852502909	Printed circuit board G1 (unit)
4	853028002	Insulation sheet
5	000101105	Setscrew 3x4
6	846044002	Sensor base plate
7	843625107	Buttonhole lever (unit)
8	000002105	Snap ring E-3
9	830057021	Buttonhole lever guide
10	000103808	Setscrew 3x5
11	858613005	Micro switch (unit)
12	000081005	Setscrew 4x8
13	844038018	Needle bar supporter spring
14	859525301	Printed circuit board L2 (unit)
15	859232010	LED cover
16	000078319	Setscrew 3x6
17	000053008	Cord binder
18	858136102	Presser foot pressure adjusting dial
19	858155004	Presser foot pressure adjusting cam
20	858028007	Presser bar bushing
21	859082002	Presser bar
22	858281000	Presser bar spring
23	859210001	Spring supporter
24	858675005	Presser bar lifter (unit)
25	858280009	Presser bar lifter
26	846344005	Presser foot lifter switch plate
27	859079017	Presser bar supporter
28	000111201	Hexagonal socket screw 4x4
29	858284003	Presser foot lifter
30	846333001	Setscrew 1
31	859801005	Presser foot holder (unit)
32	859802006	Zigzag foot (unit)
33	858274000	Thumbscrew
34	859627016	Upper feed foot (unit)
35	000002116	Snap ring E-3
36	858313002	Washer
37	846327002	Pin (1)

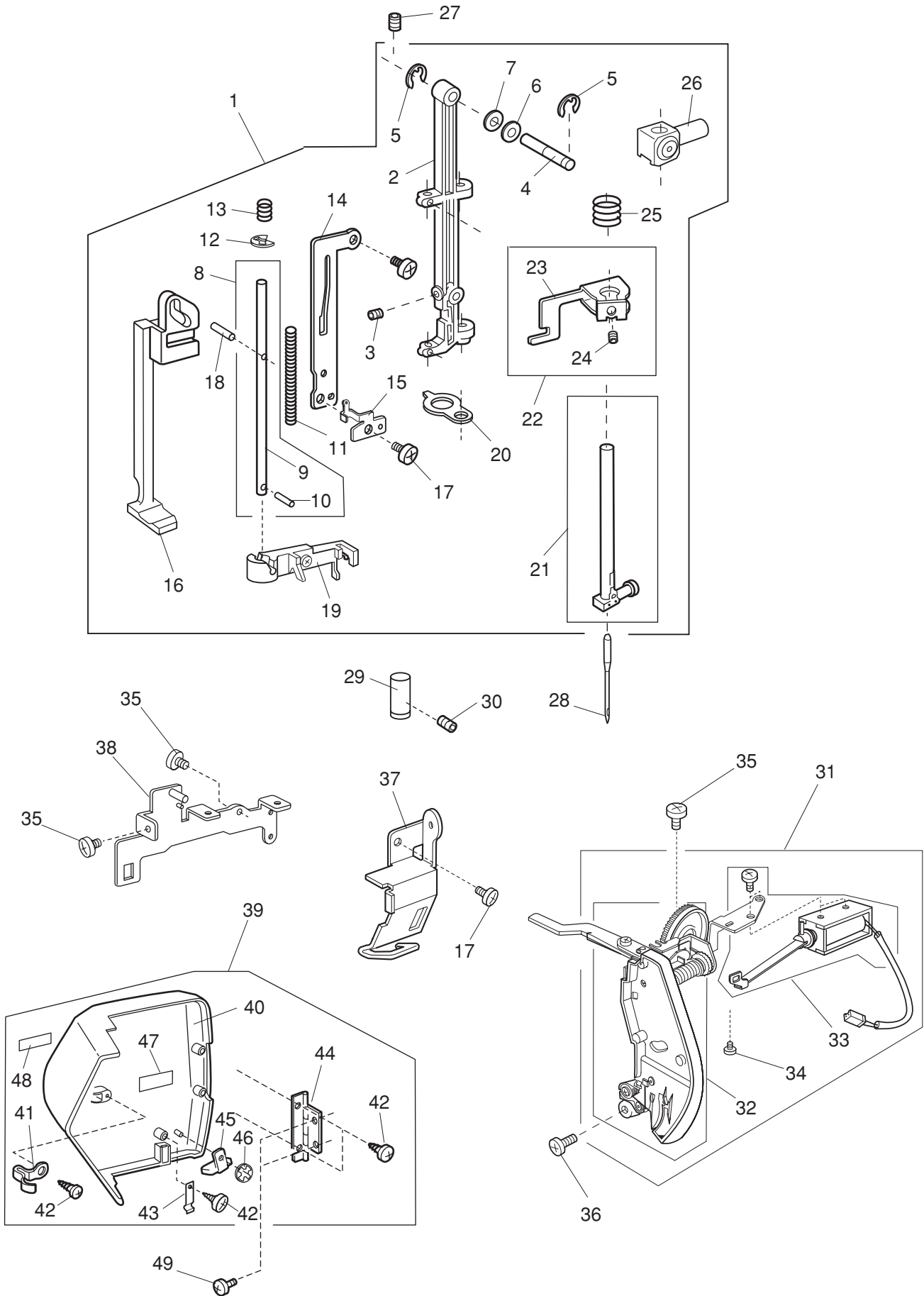
# PARTS LIST



# PARTS LIST

KEY NO.	PARTS NO.	DESCRIPTION
1	859640004	Upper feed upper shaft (unit)
2	000103509	Setscrew 4x10
3	858156005	Upper feed upper shaft spring
4	858625000	Upper feed adjusting base plate (unit)
5	858072006	Upper feed adjusting base plate
6	846351005	Upper feed adjusting dial
7	000014007	Snap ring CS-4
8	846353007	Dial spring
9	000101105	Setscrew 3x4
10	653006101	Cap
11	000081005	Setscrew 4x8
12	858623008	Feed connecting link (unit)
13	858068009	Feed connecting link
14	502258006	Connecting pin
15	000002507	Snap ring E-4
16	846304106	Upper feed lower shaft front arm
17	000111201	Hexagonal socket screw 4x4
18	502258109	Connecting pin
19	784071003	Looper shaft bushing
20	858624009	Upper feed lower shaft (unit)
21	858069000	Upper feed lower shaft
22	846306005	Upper feed lower shaft rear arm
23	000061102	Nut 4-1-7
24	820166001	Lower shaft ring
25	846303002	Upper feed lower shaft bushing
26	000038502	Washer
27	000002806	Snap ring E-6
28	846580005	Upper feed adjusting arm (unit)
29	846577009	Upper feed connecting link (unit)
30	846309008	Upper feed connecting link
31	846307006	Connecting link
32	000066705	Setscrew 3x8
33	846349000	Upper feed adjusting link
34	820144003	Pin
35	846350004	Upper feed adjusting arm (1)
36	000111304	Hexagonal socket screw 5x5
37	846308007	Upper feed upper shaft rear arm
38	822070003	Felt
39	846348009	Rear arm feed lifting roller
40	858644005	Upper feed adjusting arm 2 (unit)
41	858070004	Upper feed adjusting arm 2

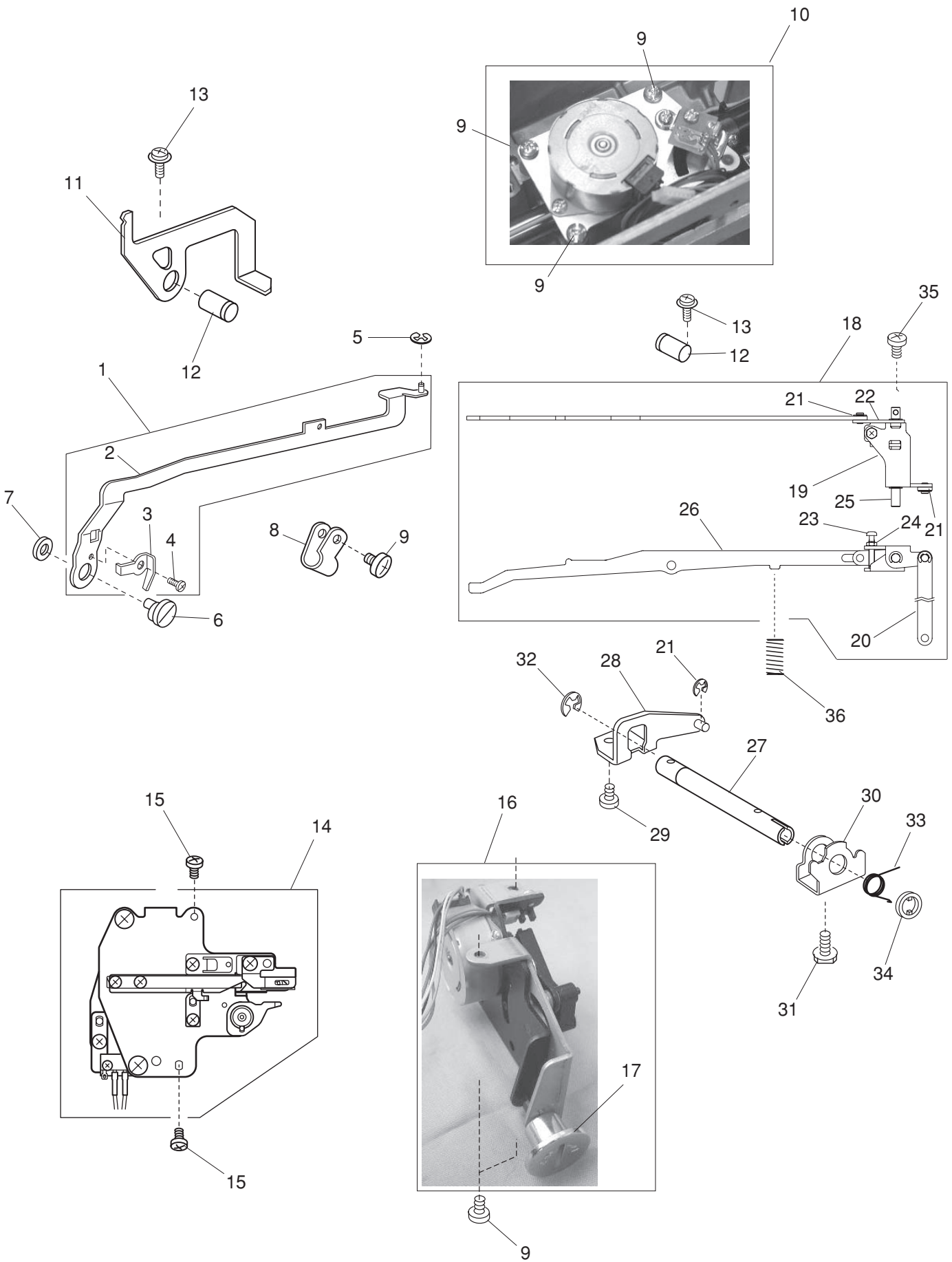
# PARTS LIST



# PARTS LIST

KEY NO.	PARTS NO.	DESCRIPTION
1	859665005	Needle bar supporter (unit)
2	846047005	Needle bar supporter
3	000111902	Hexagonal socket screw 3x4
4	735144006	Needle bar supporter pin
5	000002507	Snap ring E-4
6	000070609	Washer
7	673022002	Washer
8	846612100	Threader shaft (unit)
9	846048028	Threader shaft
10	000003508	Knock pin
11	842090001	Needle threader spring
12	000002105	Snap ring E-3
13	842096007	Threader lever spring
14	842091002	Threader guide plate
15	844036038	Threader lever plate
16	859111001	Threader lever
17	000078319	Setscrew 3x6
18	000125105	Pin
19	846588014	Threader guard plate (unit)
20	829027006	Supporter guide plate
21	859647001	Needle bar (unit)
22	807607008	Threader position setting plate (unit)
23	807018006	Threader position setting plate
24	000111902	Hexagonal socket screw 3x4
25	858172007	Needle bar connecting stud spring
26	846515009	Needle bar connecting stud (unit)
27	000111201	Hexagonal socket screw 4x4
28	647814031	Needle HA1-14
29	827083004	Supporter guide pin
30	000216805	Hexagonal socket screw 3x3
31	858615409	Thread tension (unit)
32	858503207	Thread tension (unit)
33	834604308	Solenoid (unit)
34	000101105	Setscrew 3x4
35	000081005	Setscrew 4x8
36	000101703	Setscrew 4x12
37	858282001	Arm thread guide
38	858121001	Carrying handle supporter
39	858684007	Face plate (unit) (U.S.A.)
	858684100	Face plate (unit) (Canada)
	858684203	Face plate (unit) (Australia) (UK) (Continental Europe)
40	858287109	Face plate
41	850013005	Face plate spring
42	000161206	Setscrew 3x10
43	859233000	Spring
44	851503103	Face plate hinge (unit)
45	840602109	Thread cutter (unit)
46	000014306	Snap ring CS-3
47	830312016	Caution sticker (U.S.A.)
	100045000	Caution sticker (Canada)
48	100517008	Caution sticker (Canada)
49	000081119	Setscrew 4x6

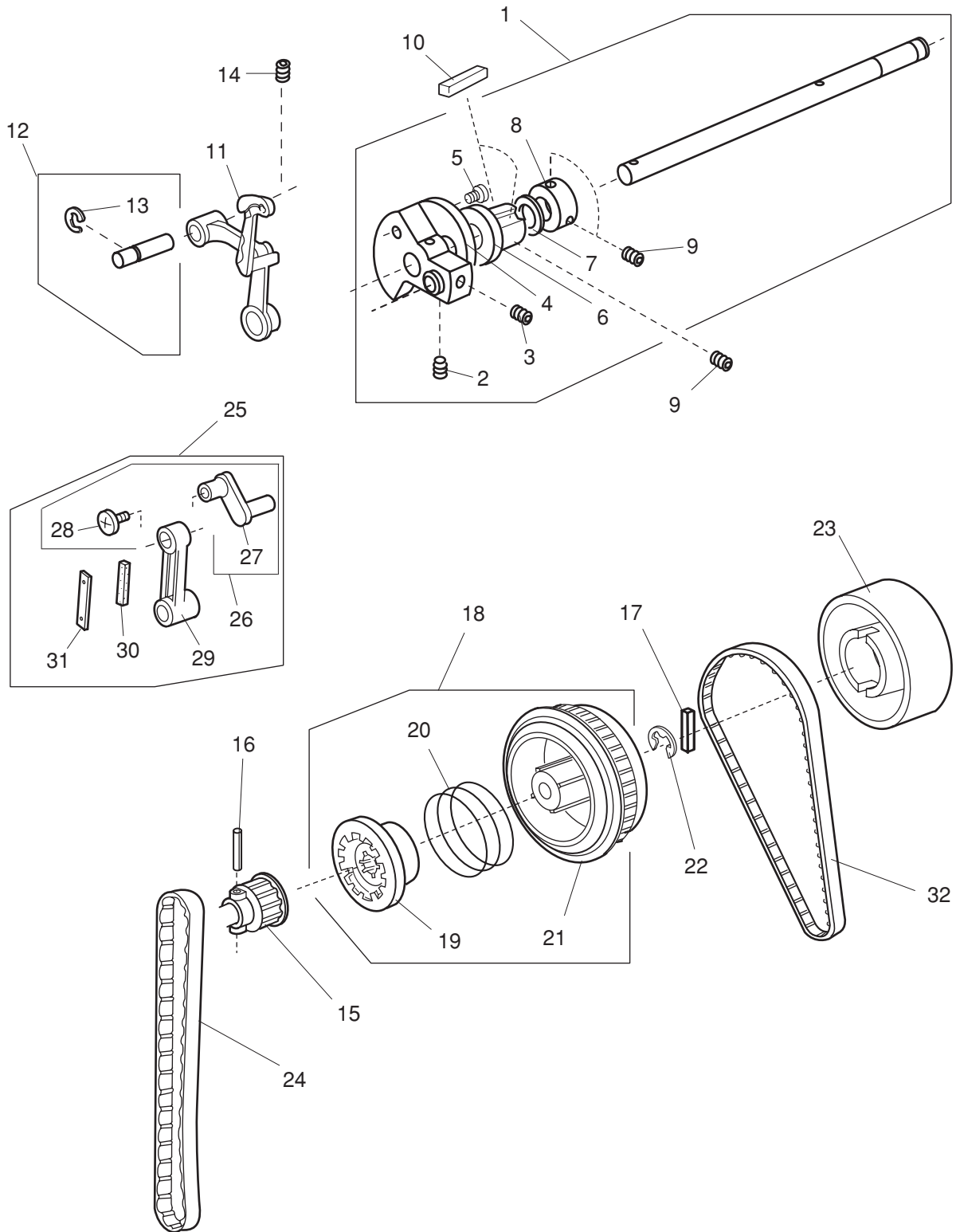
# PARTS LIST



# PARTS LIST

KEY NO.	PARTS NO.	DESCRIPTION
1	859610005	Zigzag width rod (unit)
2	859031017	Zigzag width rod
3	827088009	Zigzag width rod spring
4	820373003	Setscrew 2x3
5	000002105	Snap ring E-3
6	678084007	Eccentric pin
7	653037008	Washer
8	000188405	Nylon clip
9	000081005	Setscrew 4x8
10	859608000	Zigzag width motor (unit)
11	858049004	Thread tension release link
12	652042003	Pin
13	000115607	Setscrew TP 4x8
14	858683006	Automatic thread cutter (unit)
15	000101404	Setscrew 4x6
16	858627002	Feed motor (unit)
17	858075009	Feed balancing dial
18	858633001	Knee lifter link (unit)
19	858092002	Knee lifter link (1)
20	858093003	Knee lifter rod
21	000002507	Snap ring E-4
22	858094004	Knee lifter link (2)
23	000175111	Setscrew 4x25
24	000061205	Nut 4
25	858095005	Knee lifter link shaft
26	858096006	Knee lifter lever
27	858088005	Knee lifter shaft
28	858089006	Knee lifter shaft arm
29	000102003	Setscrew 5x10
30	858090000	Knee lifter stopper
31	000138503	Hexagonal socket screw 5x12
32	000002208	Snap ring E-9
33	858091001	Knee lifter stopper spring
34	846297002	Stopper
35	000103303	Setscrew 3.5x12
36	858097007	Knee lifter lever spring

# PARTS LIST

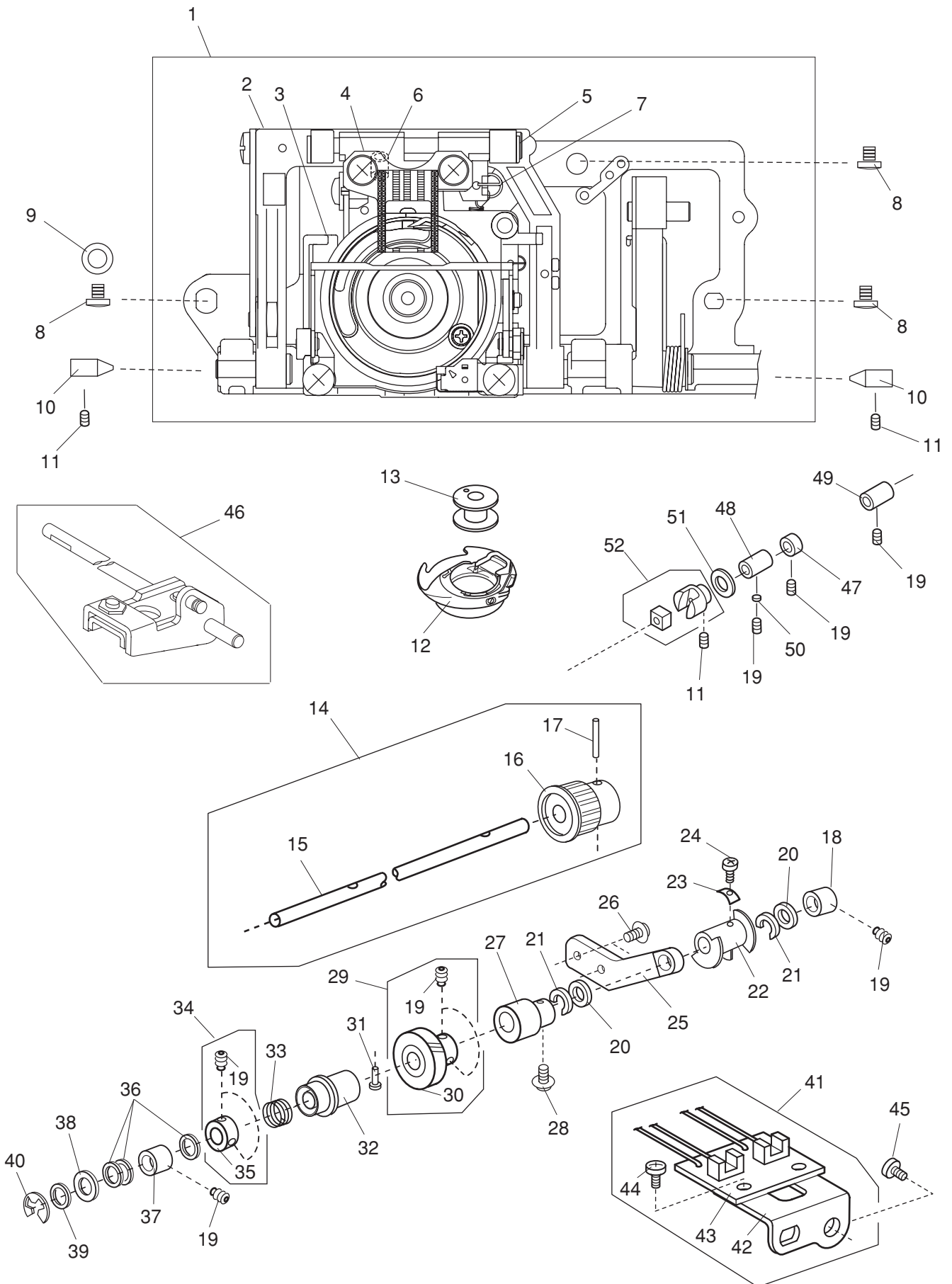




# PARTS LIST

KEY NO.	PARTS NO.	DESCRIPTION
1	858617102	Upper shaft (unit)
2	000111706	Hexagonal socket screw 5x8
3	000110901	Hexagonal socket screw 5x4
4	859214005	Upper feed lifting cam
5	000078319	Setscrew 3x6
6	670079201	Upper shaft front bushing
7	000040105	Washer
8	767077006	Ring
9	000111304	Hexagonal socket screw 5x5
10	731312005	Felt
11	820511108	Thread take-up lever (unit)
12	650626001	Thread take-up lever pin (unit)
13	000002806	Snap ring E-6
14	000111201	Hexagonal socket screw 4x4
15	858052000	Upper shaft gear
16	000004303	Pin 3x20
17	000024206	Pin 3x30
18	858647008	Belt wheel (unit)
19	858053001	Clutch ring
20	502065004	Clutch spring
21	858054002	Belt wheel
22	000030009	Snap ring E-10
23	858055003	Handwheel
24	846098001	Timing belt
25	846615103	Needle bar crank (unit)
26	843543007	Needle bar crank pin (unit)
27	652143005	Needle bar crank pin
28	647139002	Needle bar crank pin knob
29	650039001	Needle bar crank rod
30	650040005	Felt
31	650041006	Spring
32	858118005	Timing belt

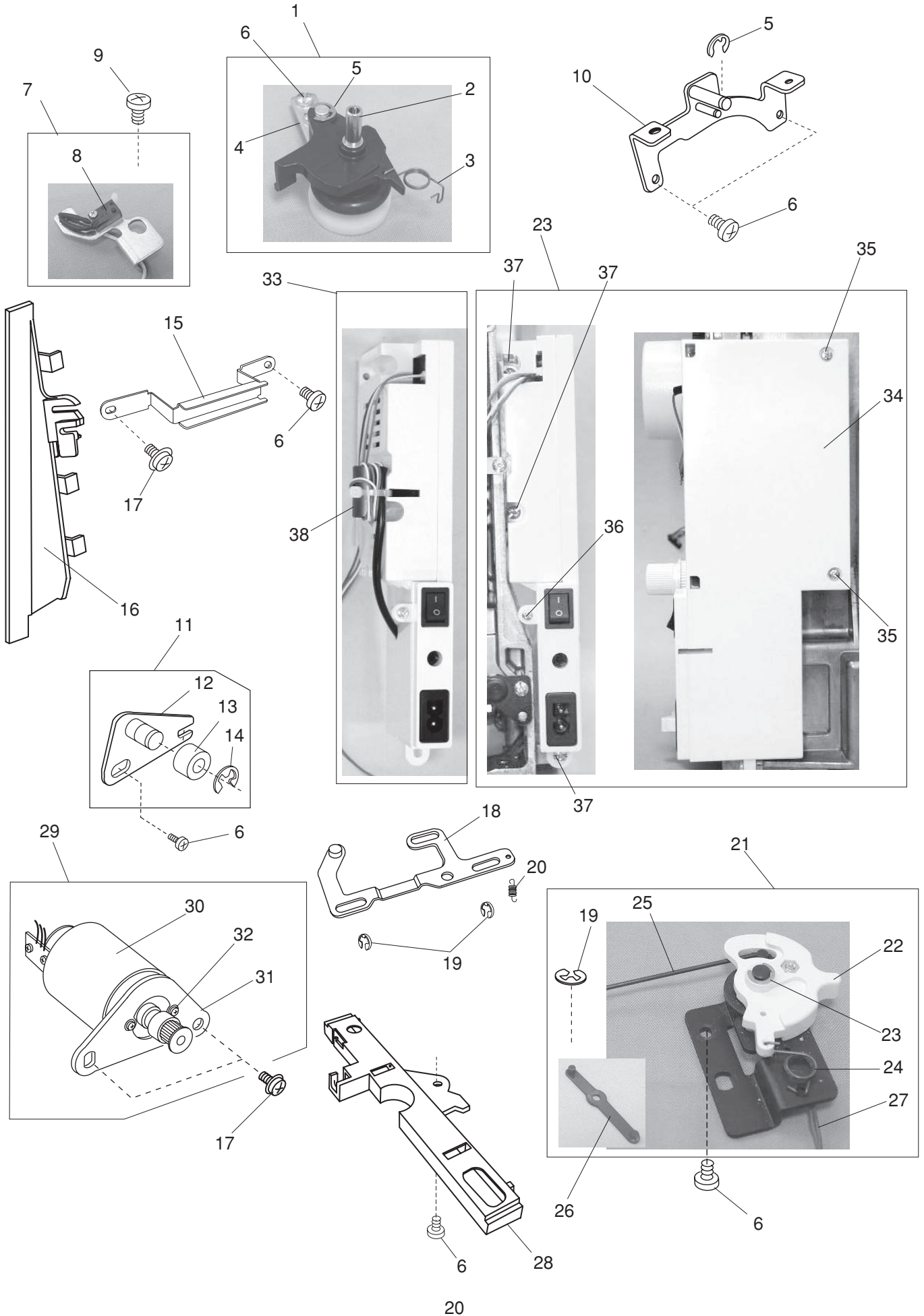
# PARTS LIST



# PARTS LIST

KEY NO.	PARTS NO.	DESCRIPTION
1	858681004	Feed lock shaft (unit)
2	858621006	Feed lock shaft (unit)
3	858682005	Hook race (unit)
4	859639000	Feed dog set base (unit)
5	825099007	Feed dog base shaft
6	000111407	Hexagonal socket screw 4x6
7	825103005	Feed base spring
8	000081005	Setscrew 4x8
9	000070506	Washer
10	738055008	Straight pin
11	000111304	Hexagonal socket screw 5x5
12	846652009	Bobbin holder (unit)
13	102261103	Bobbin
14	858618000	Lower shaft (unit)
15	858056004	Lower shaft
16	650073007	Lower gear
17	000004200	Pin
18	650079003	Lower shaft bushing (rear)
19	000111201	Hexagonal socket screw 4x4
20	822070003	Felt
21	822112008	Felt holder
22	846101008	Lower shaft shielding plate
23	846192006	Washer
24	000080406	Setscrew 3x10
25	858058006	Lower shaft supporter
26	000115700	Setscrew TP 4x10
27	846379009	Feed cam
28	000149600	Setscrew 3x14
29	850687006	Lower shaft gear (unit)
30	650955002	Lower shaft gear
31	820161006	Feed lifting pin
32	846103000	Feed lifting cam
33	825093001	Feed lifting cam spring
34	820672005	Lower shaft ring (unit)
35	820166001	Lower shaft ring
36	000038502	Washer
37	858060001	Lower shaft bushing (front)
38	735143005	Felt
39	858177002	Lower shaft washer
40	000002806	Snap ring E-6
41	858619001	Lower shaft sensor (unit)
42	858061002	Sensor set plate
43	843505904	Printed circuit board P (unit)
44	000101105	Setscrew 3x4
45	000101404	Setscrew 4x6
46	858626001	Feed shaft (unit)
47	820387000	Ring
48	625144002	Feed shaft bushing (front)
49	650092002	Feed shaft bushing (rear)
50	650175000	Cushion
51	823110009	Felt
52	625508008	Feed regulator (unit)

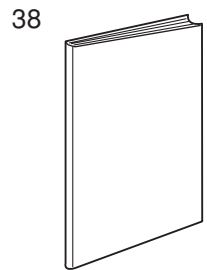
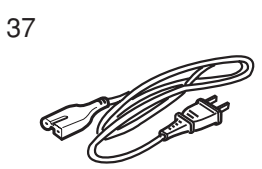
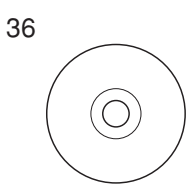
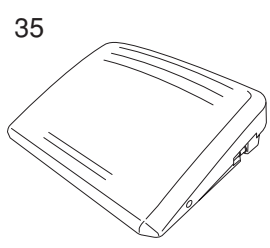
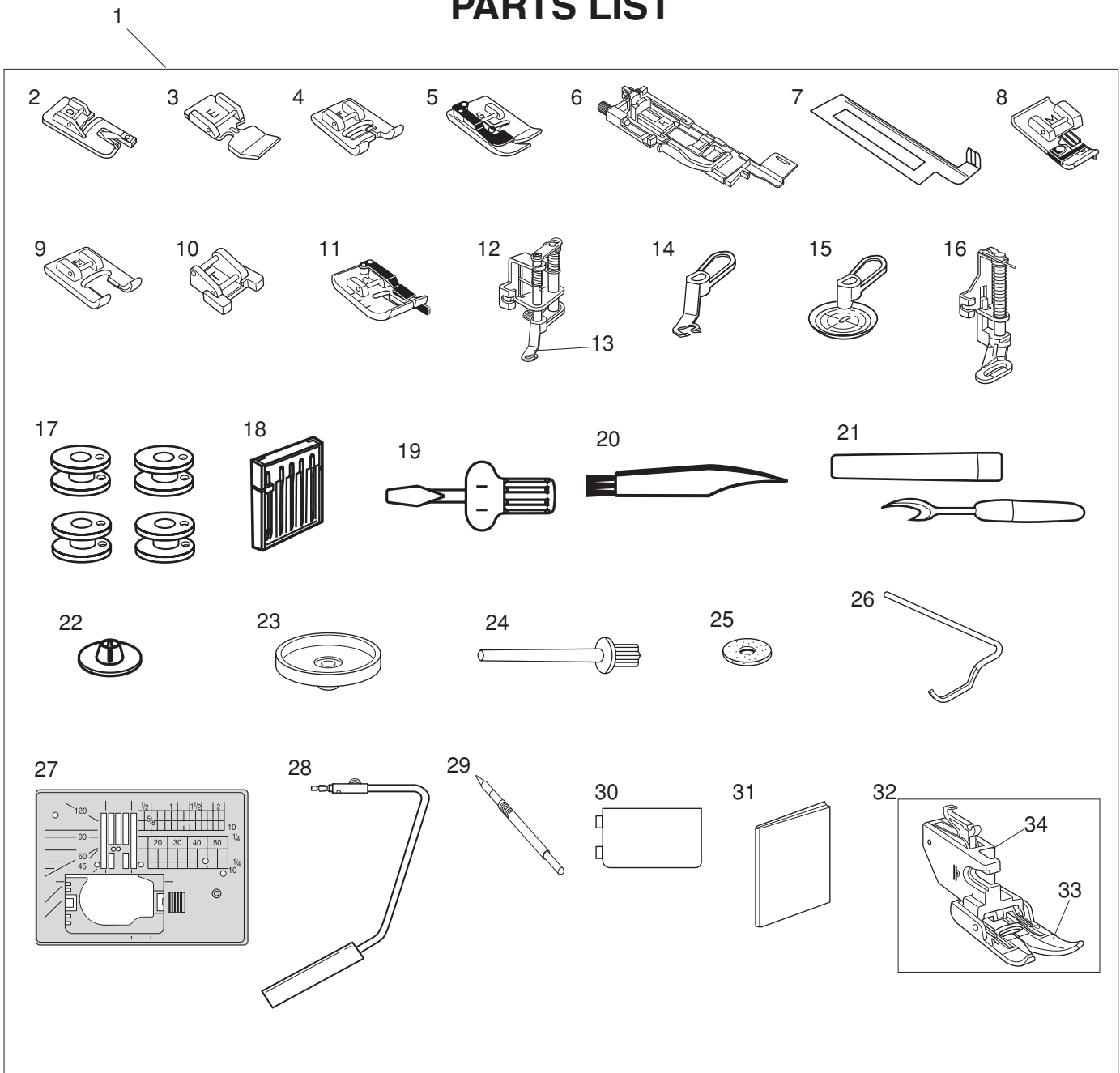
# PARTS LIST



# PARTS LIST

KEY NO.	PARTS NO.	DESCRIPTION
1	858637016	Bobbin winder (unit)
2	858509018	Bobbin winder (unit)
3	858174009	Bobbin winder arm spring
4	858111008	Bobbin winder set plate
5	000001609	Snap ring E-5
6	000081005	Setscrew 4x8
7	858646007	Bobbin winder switch (unit)
8	852510405	Micro switch (unit)
9	000101404	Setscrew 4x6
10	858112009	Rear set plate
11	860608004	Idler (unit)
12	860021007	Idler base
13	625217100	Idler
14	000002806	Snap ring E-6
15	858113000	Cord guide
16	858145012	Cord guide plate
17	000115607	Set screw TP 4X8
18	858138001	Drop plate
19	000002105	Snap ring E-3
20	661018008	Spring
21	858645202	Feed dog drop lever (unit)
22	858143009	Feed dog drop lever
23	000002507	Snap ring E-4
24	823119008	Spring
25	858279005	Rod
26	858139002	Drop connecting block
27	846513018	Micro switch (unit)
28	858159019	Cord guide 2
29	858639007	DC motor (unit)
30	843518302	DC motor (unit)
31	858117004	DC motor set plate
32	000115009	Set screw TP 3x8
33	859676009	Switching power supply (unit) (U.S.A.) (Canada)
	859676102	Switching power supply (unit) (Australia)
	859676205	Switching power supply (unit) (UK) (Continental Europe)
34	858120000	Switching power supply plate
35	000119704	Setscrew 3x14
36	000161206	Setscrew 3x10
37	000103509	Setscrew 4x10
38	808108007	Ferrite core (Australia) (UK) (Continental Europe)

# PARTS LIST



# PARTS LIST

KEY NO.	PARTS NO.	DESCRIPTION
1	858870091	Accessories (unit)
2	859804008	Rolled hem foot D
3	859805009	Zipper foot E
4	859806011	Satin stitch foot F
5	859807001	Blind hemming foot G
6	859809025	Automatic buttonhole foot R
7	859832005	Stabilizer plate
8	859810007	Overedge foot M
9	859813000	Open toe satin stitch foot F2
10	859811008	Button sewing foot T
11	859814001	1/4" Seam foot O
12	858820007	Convertible free motion quilting foot QB-S
13	858820100	Close-toe foot
14	858821008	Open-toe foot
15	858822009	Clear view foot
16	859839002	Darning foot PD-H
17	102261103	Bobbins
18	859856005	Set of needles
19	820832005	Screwdriver
20	802424004	Lint brush
21	647808009	Seam ripper (Buttonhole opener)
22	822019509	Spool holder (small)
23	829803004	Spool stand
24	625031500	Additional spool pin
25	102403109	Felt cushion
26	755802001	Quilting guide bar
27	859831015	Needle plate for straight stitch
28	846417011	Knee lifter
29	860194002	Touch panel stylus
30	846271103	Hook cover plate
31	858801002	Caution card
32	859819017	Dual feed foot AD (unit)
33	859819109	Dual feed foot AD
34	859817015	Dual feed foot holder
35	C-1036	Foot control
36	858829006	Instructional DVD
37	856519004	Power cable (U.S.A.) (Canada)
	830314018	Power cable (Australia)
	830377008	Power cable (UK)
	830335004	Power cable (Continental Europe)
38	858800609	Instruction book (English)
	858800610	Instruction book (French)
	858800621	Instruction book (German)
	858800632	Instruction book (Dutch)