

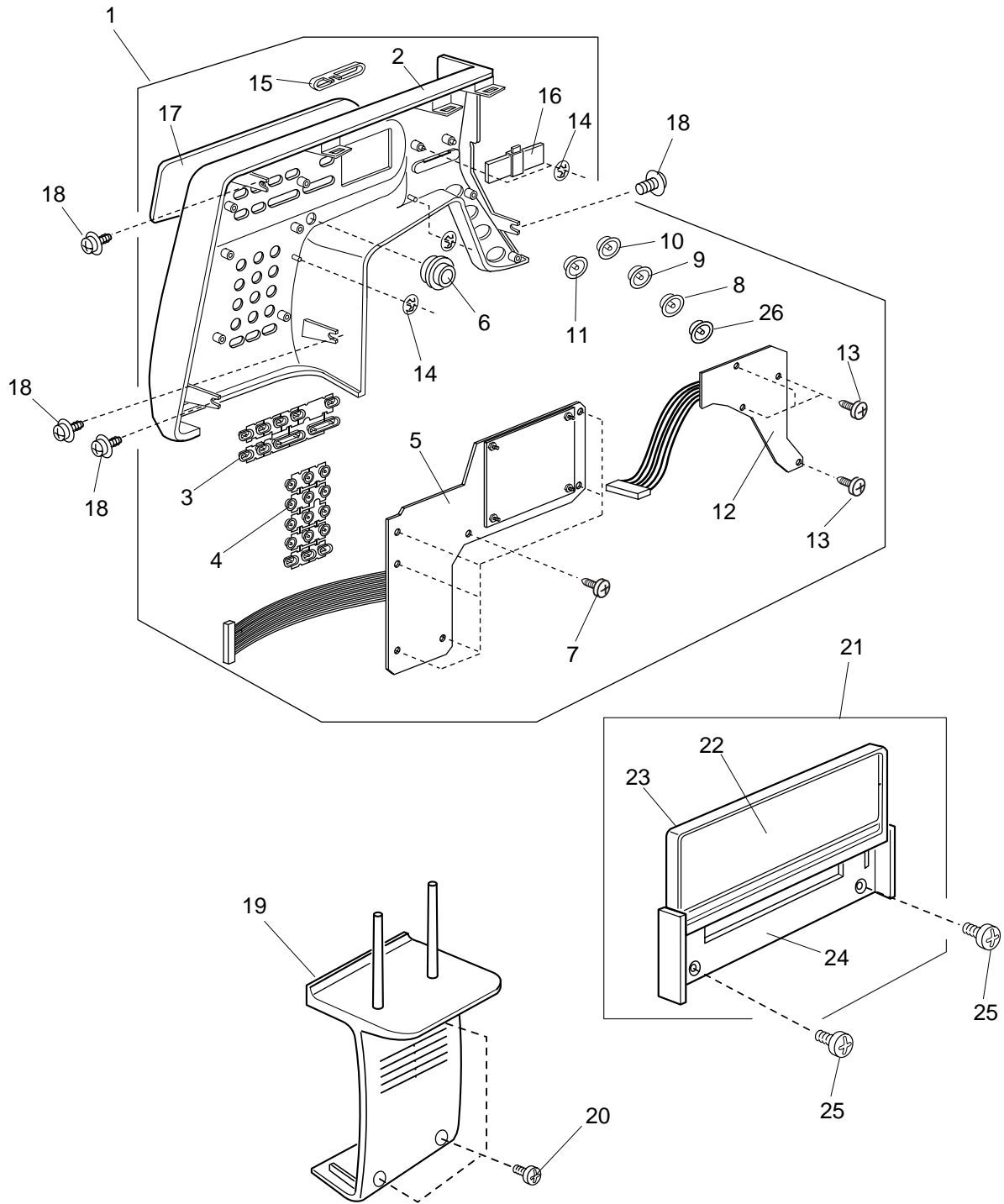


PARTS LIST

MC6600

JANOME

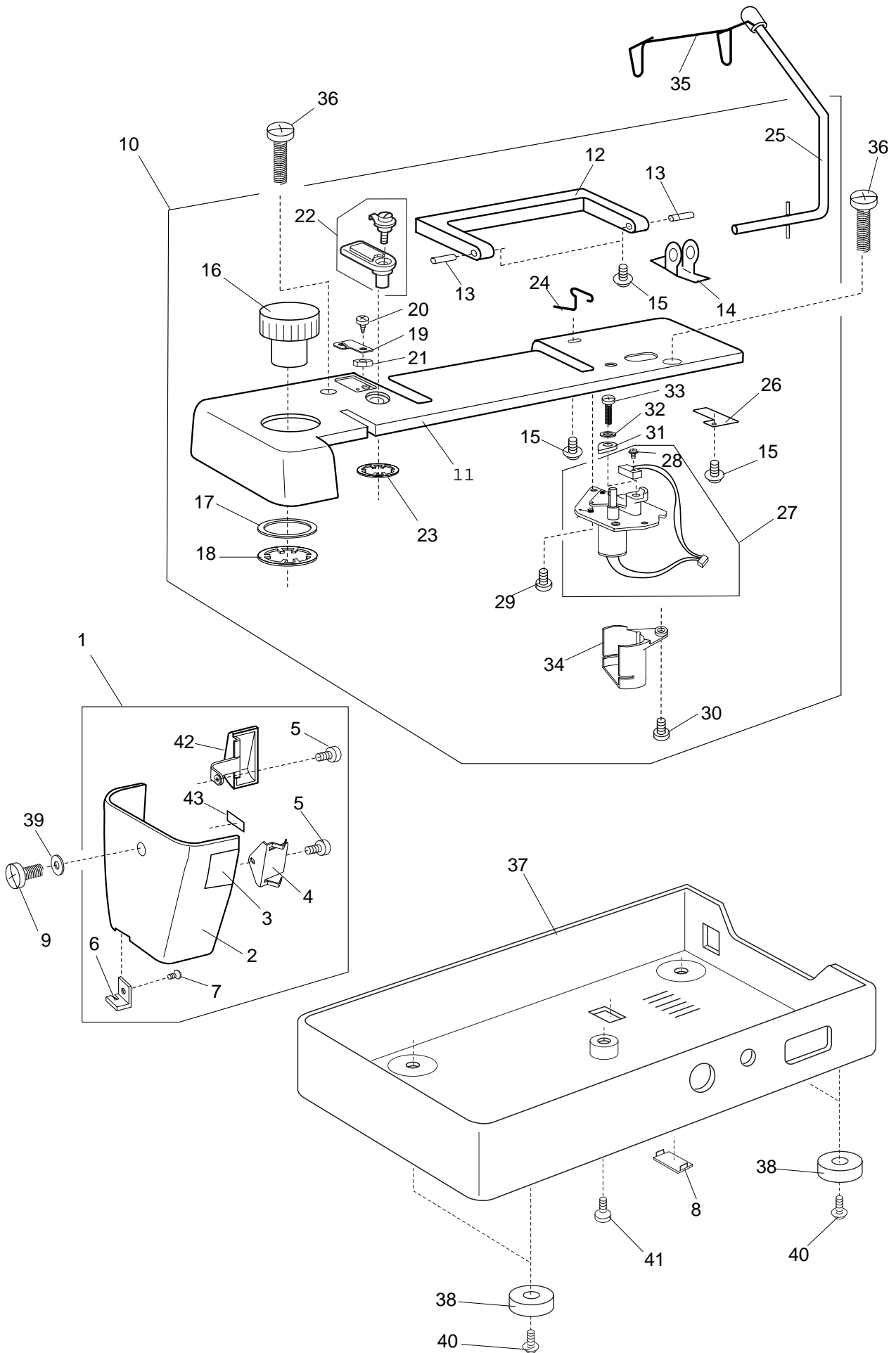
PARTS LIST



PARTS LIST

NO.	Part No.	Description
1	846587002	Front cover (unit)
2	846004240	Front cover
3	846005207	Button 2
4	846006013	Button 3
5	846508102	Printed circuit board K (unit)
6	846007003	Adjusting dial
7	000120203	Setscrew 3X8
8	846008129	Button1
9	846008130	Button1
10	846008141	Button1
11	846008152	Button1
12	846532002	Printed circuit board F (unit)
13	000120801	Setscrew 2.6X8
14	000014306	Snap ring CS 3
15	846009005	Speed control slider
16	653507152	Slide volume (unit)
17	846010308	Stitch pattern panel
18	000115205	Setscrew TP 4X6
19	846023005	Motor cover
20	000160515	Setscrew 4X12
21	846836009	Quick reference chart (unit)
22	846802604	Quick reference chart
23	846803007	Quick reference chart frame
24	846375005	Quick reference chart base
25	000163600	Setscrew 4X18
26	846251141	Start/stop button

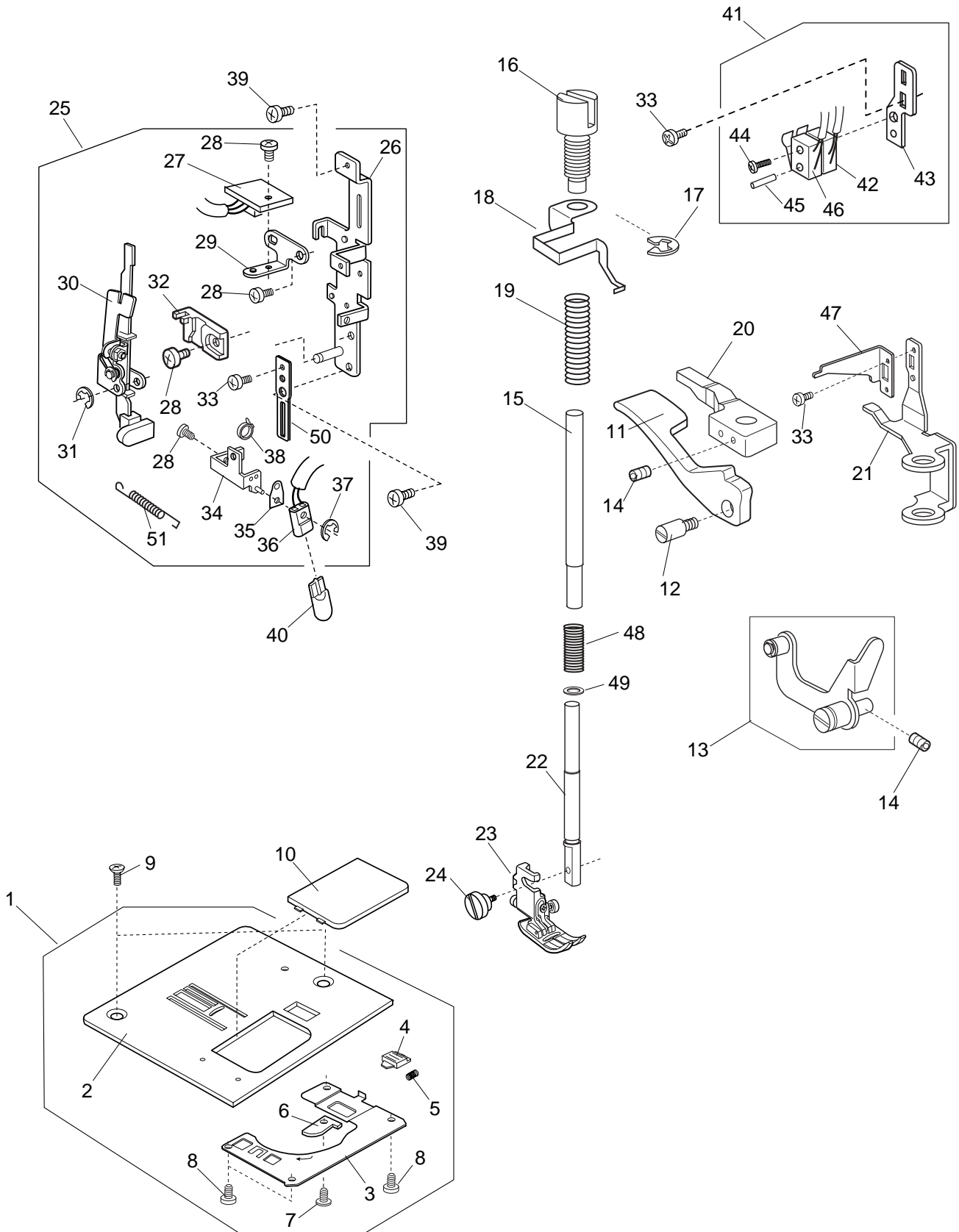
PARTS LIST



PARTS LIST

NO.	Part No.	Description
1	846579001	Face plate (unit)
2	846011309	Face plate
3	846012104	Pressure indicating window
4	846013002	Presser plate
5	000103004	Setscrew 3.5X6
6	840602109	Thread cutter (unit)
7	000095105	Setscrew 3X5
8	832168000	Base lid
9	000104119	Setscrew 4X20
10	846603108	Top cover (unit)
11	846014209	Top cover
12	846015004	Carrying handle
13	846016005	Carrying handle support pin
14	846227001	Carrying handle spring
15	000115205	Setscrew TP 4X6
16	846017109	Foot pressure adjusting dial
17	846018007	Washer
18	000017907	Snap ring CS 20
19	846654001	Top cover thread guide(2) (unit)
20	000078319	Setscrew 3X6
21	000060857	Nut
22	846604006	Thread guide (unit)
23	000014409	Snap ring CS 8
24	846021003	Top cover thread guide (3)
25	846605007	Thread guide stand (unit)
26	846022004	Thread guide stand spring
27	846606008	Bobbin winder (unit)
28	000115308	Setscrew TP 2X8
29	000101404	Setscrew 4X6
30	000103509	Setscrew 4X10
31	846177005	Bobbin winder stopper
32	000071013	Washer
33	000104119	Setscrew 4X20
34	846179007	Bobbin winder motor cover
35	846197001	Thread guide
36	000080901	Setscrew 4X25
37	846025007	Base
38	605074008	Rubber foot
39	000071024	Washer 4
40	000197407	Setscrew TP 4X12
41	000103509	Setscrew 4X10
42	846373003	Face plate cover
43	100411207	Lamp sticker

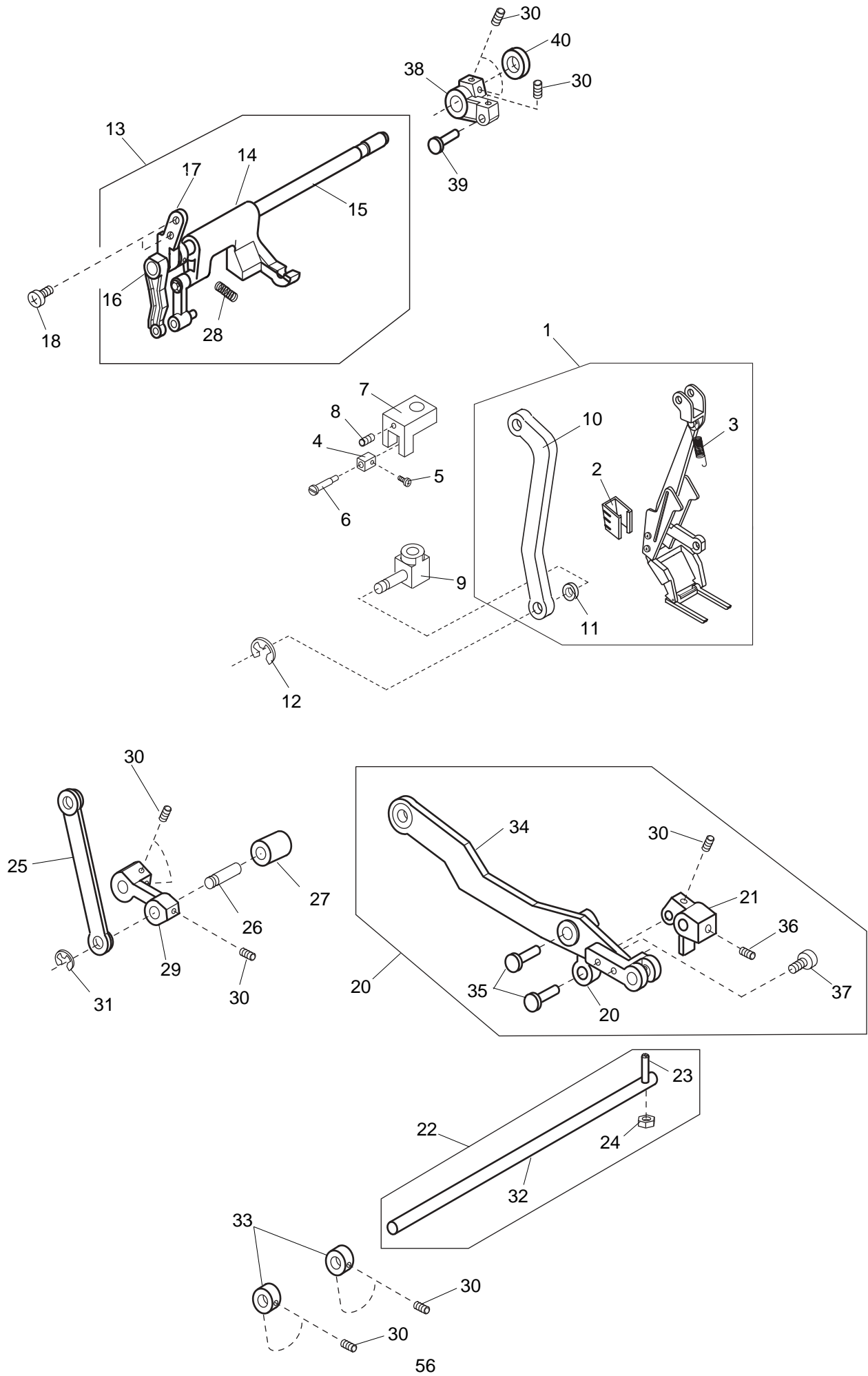
PARTS LIST



PARTS LIST

NO.	Part No.	Description
1	846676009	Needle plate (unit)
2	846300009	Needle plate
3	846030005	Hook cover plate supporter
4	825016000	Hook cover plate supporter block
5	825017001	Spring
6	846222006	Rotation stopper
7	000097613	Setscrew 2X4
8	820374004	Setscrew 2X2.3
9	502213009	Setscrew
10	846271103	Hook cover plate
11	846331009	Presser foot lifter
12	846333001	Setscrew (1)
13	846608000	Thread tension release lever (unit)
14	000111201	Hexagonal socket screw 4X4
15	846362009	Presser bar (upper)
16	846042103	Presser foot pressure adjusting screw
17	000002208	Snap ring E9
18	846041102	Presser foot pressure indicator
19	846340001	Presser bar spring
20	846330008	Presser bar supporter
21	846332000	Presser foot lifter
22	846361008	Presser bar (lower)
23	846573005	Presser foot (unit)
24	846380003	Thumbscrew
25	846679002	Front bracket (unit)
26	846299004	Front bracket
27	852502703	Printed circuit board G1 (unit)
28	000101105	Setscrew 3X4
29	846044002	Sensor set plate
30	843625004	Buttonhole lever (unit)
31	000002105	Snap ring E3
32	830057010	Buttonhole lever guide
33	000103808	Setscrew 3X5
34	846045003	Lamp set plate
35	846226000	Lamp socket spring
36	846583008	Lamp socket (unit)
37	000002301	Snap ring E2
38	000053008	Cord binder
39	000081005	Setscrew 4X8
40	000026002	Wedge base lamp 12V 5W
41	846582007	Presser foot lifter switch (unit)
42	660518402	Micro switch (unit)
43	846345006	Presser foot lifter switch set plate
44	000166304	Setscrew 2X14
45	000021605	Spring 2X14
46	846513203	Micro switch (unit)
47	846344005	Presser foot lifter switch actuator
48	846366003	Support spring
49	846369006	Washer
50	846371001	Bobbin holder stopper 2
51	827092006	Needle bar supporter spring

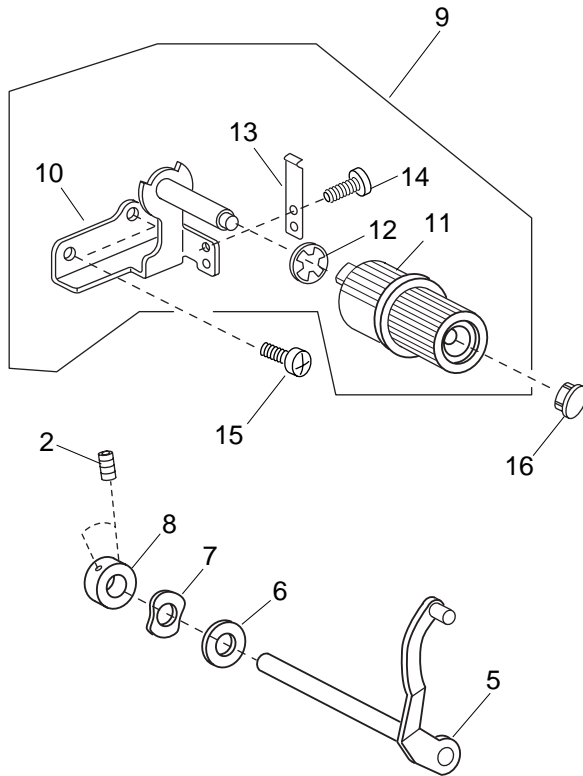
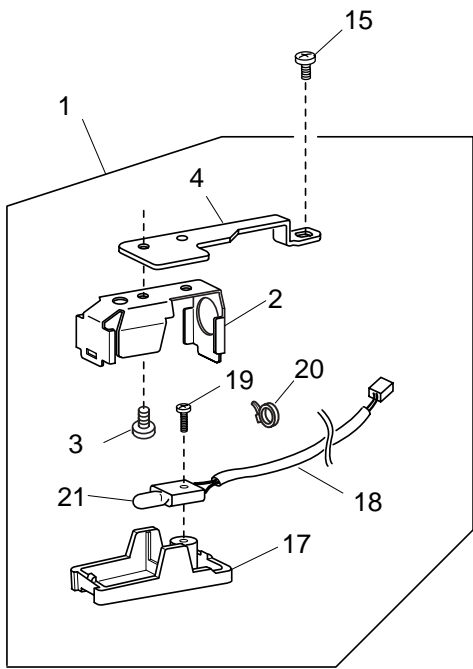
PARTS LIST



PARTS LIST

NO.	Part No.	Description
1	846678001	Upper feed dog (unit)
2	846329004	Holder cover
3	846342003	Spring
4	846367004	Block
5	000102807	Setscrew 2X4
6	846368005	Rotation stopper screw
7	846370000	Rotation stopper 1
8	000177205	Hexagonal socket screw 3X6
9	846322007	Upper and lower feed connecting block
10	846321006	Upper and lower feed connecting plate
11	846334002	Washer
12	000002105	Snap ring E3
13	846584009	Upper feed upper shaft (unit)
14	846677000	Upper feed driving arm (unit)
15	846311003	Upper feed upper shaft
16	846312004	Upper feed upper shaft front arm
17	846310002	Upper feed shaft supporter
18	000103509	Setscrew 4X10
19	846580005	Upper feed adjusting arm (unit)
20	846349000	Upper feed adjusting link
21	846350004	Upper feed adjusting arm (1)
22	846576008	Upper feed lower shaft (unit)
23	846306005	Upper feed lower shaft rear arm
24	000061102	Nut 4-1-7
25	846302001	Feed connecting link
26	502258006	Connecting pin
27	784071003	Looper shaft bushing
28	846314002	Spring
29	846304003	Upper feed lower shaft front arm
30	000111201	Hexagonal socket screw 4X4
31	000002507	Snap ring E4
32	846305004	Upper feed lower shaft
33	820166001	Upper feed lower shaft ring
34	846577009	Upper feed connecting link (unit)
35	820144003	Pin
36	000111304	Hexagonal socket screw 5X5
37	000066705	Setscrew 3X8
38	846308007	Upper feed upper shaft rear arm
39	820144003	Pin
40	820070003	Felt

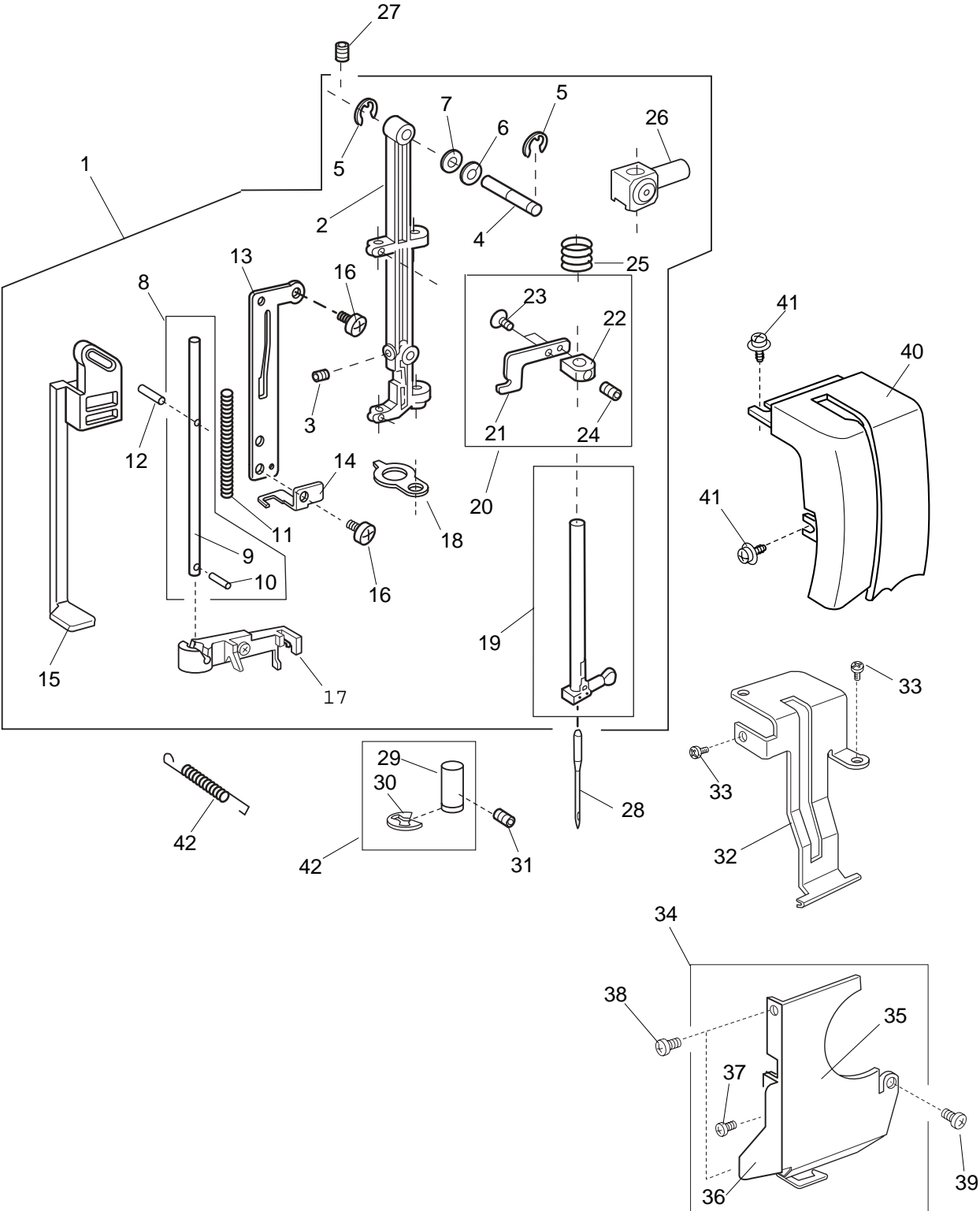
PARTS LIST



PARTS LIST

NO.	Part No.	Description
1	846585000	Lamp (unit)
2	767126001	Lamp reflecting plate
3	000101127	Setscrew 3X4
4	846346007	Lamp set plate
5	846357001	Upper feed adjusting arm (2)
6	000036201	Thrust washer FT 80
7	000116309	Washer 8
8	820166001	Lower shaft ring
9	846578000	Feed regulator base plate (unit)
10	846352006	Feed regulator base plate
11	846351005	Upper feed adjusting dial
12	000014007	Snap ring CS 4
13	846353007	Dial leaf spring
14	000101105	Setscrew 3X4
15	000081005	Setscrew 4X8
16	653006101	Cap
17	767128003	Lamp holder
18	501509806	Lamp socket (unit)
19	000225209	Setscrew 2.3X12 (B)
20	000053008	Cord binder
21	000026002	Wedge base lamp 12V 5W

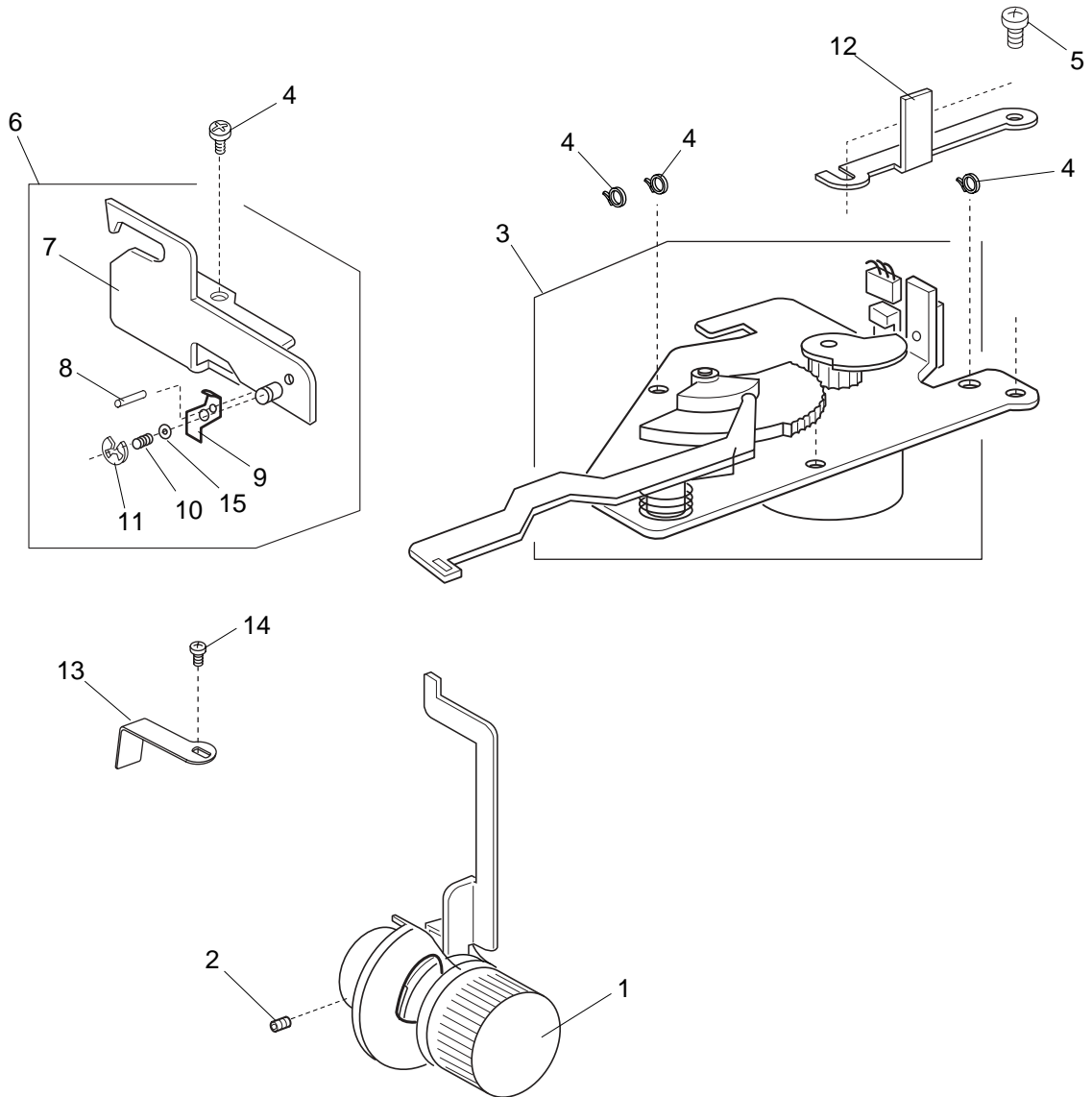
PARTS LIST



PARTS LIST

NO.	Part No.	Description
1	846611408	Needle bar supporter (unit)
2	846047005	Needle bar supporter
3	000111902	Hexagonal socket screw 3X4
4	735144006	Needle bar supporter pin
5	000002507	Snap ring E4
6	000070609	Washer 6
7	673022002	Washer
8	846612007	Threader shaft (unit)
9	846048006	Threader shaft
10	000003508	Knock pin 2X8
11	840035002	Needle threader spring
12	000125105	Pin
13	840033000	Threader guide plate
14	840037004	Threader lever plate
15	840034001	Threader lever
16	000078319	Setscrew 3X6
17	846574006	Threader plate (unit)
18	829027006	Supporter guide plate
19	846613008	Needle bar (unit)
20	846614009	Threader positioning setting plate (unit)
21	846196000	Threader positioning setting plate
22	734102009	Threader positioning setting block
23	000097602	Setscrew 2X4
24	000111902	Hexagonal socket screw 3X4
25	846190004	Needle bar supporter spring
26	846515009	Needle bar connecting stud (unit)
27	000111201	Hexagonal socket screw 4X4
28	102408089	Needle HAI-14
29	827083004	Pin
30	000002105	Snap ring E3
31	000216805	Hexagonal socket screw 3X3
32	846049007	Arm thread guide (1)
33	000101404	Setscrew 4X6
34	846644008	Arm thread guide (2) (unit)
35	846050001	Arm thread guide (2)
36	846207005	Face plate guide
37	000101105	Setscrew 3X4
38	000081119	Setscrew 4X6
39	000078342	Setscrew 3X6
40	846051105	Thread guide cover
41	000115607	Setscrew TP 4X8
42	842625001	Pin (unit)

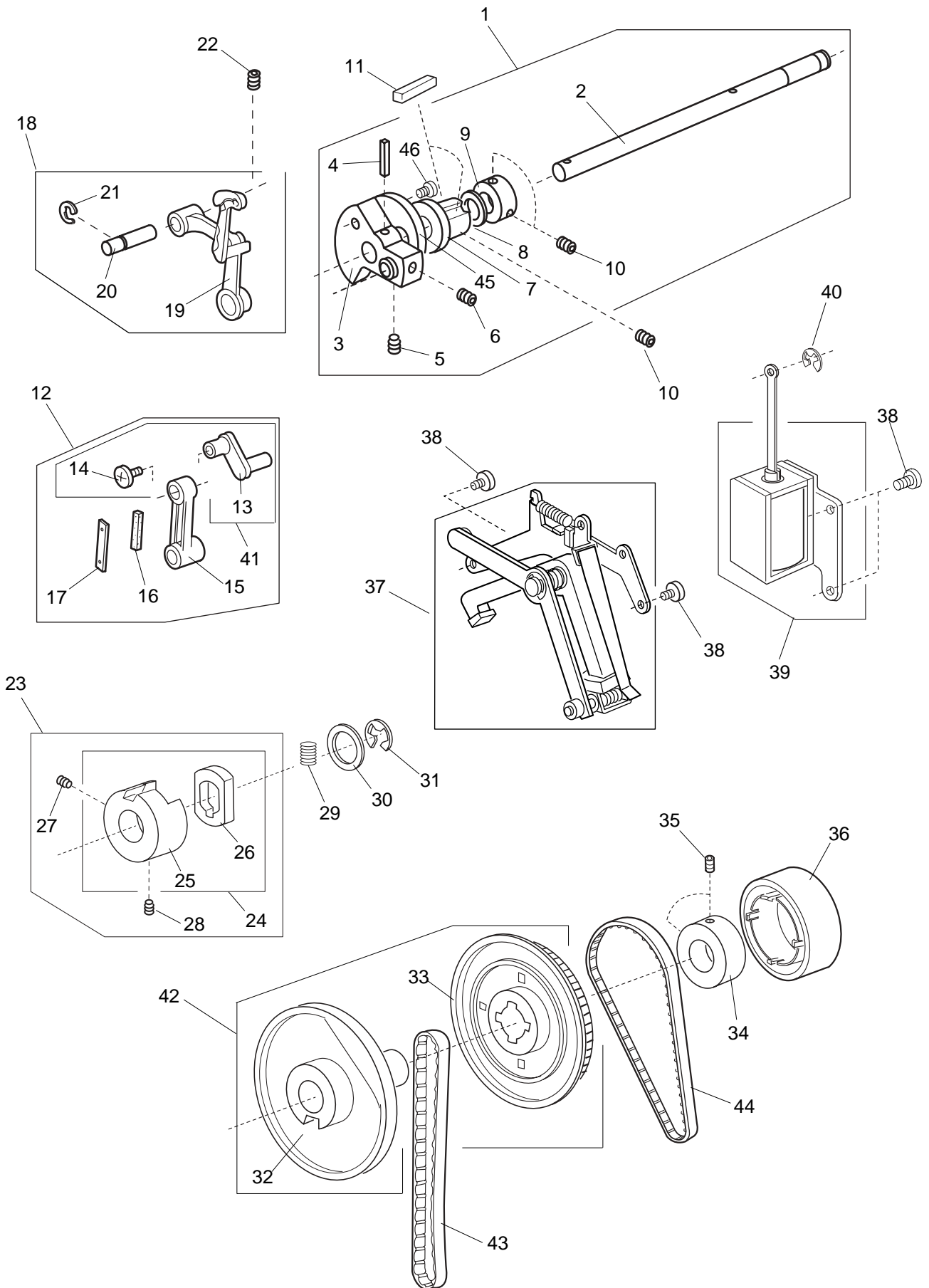
PARTS LIST



PARTS LIST

NO.	Part No.	Description
1	846516103	Thread tension (unit)
2	000111201	Hexagonal socket screw 4X4
3	846616001	Thread tension release motor (unit)
4	000053008	Cord binder
5	000081005	Setscrew 4X8
6	846619004	Top cover thread guide (unit)
7	846070007	Top cover thread guide
8	000020109	Spring pin
9	846071008	Pre-tension plate
10	825033003	Pre-tension spring
11	000002301	Snap ring E2
12	846229003	Front cover set plate
13	846347008	Cord holder
14	000103705	Setscrew 4X5
15	825303007	Washer

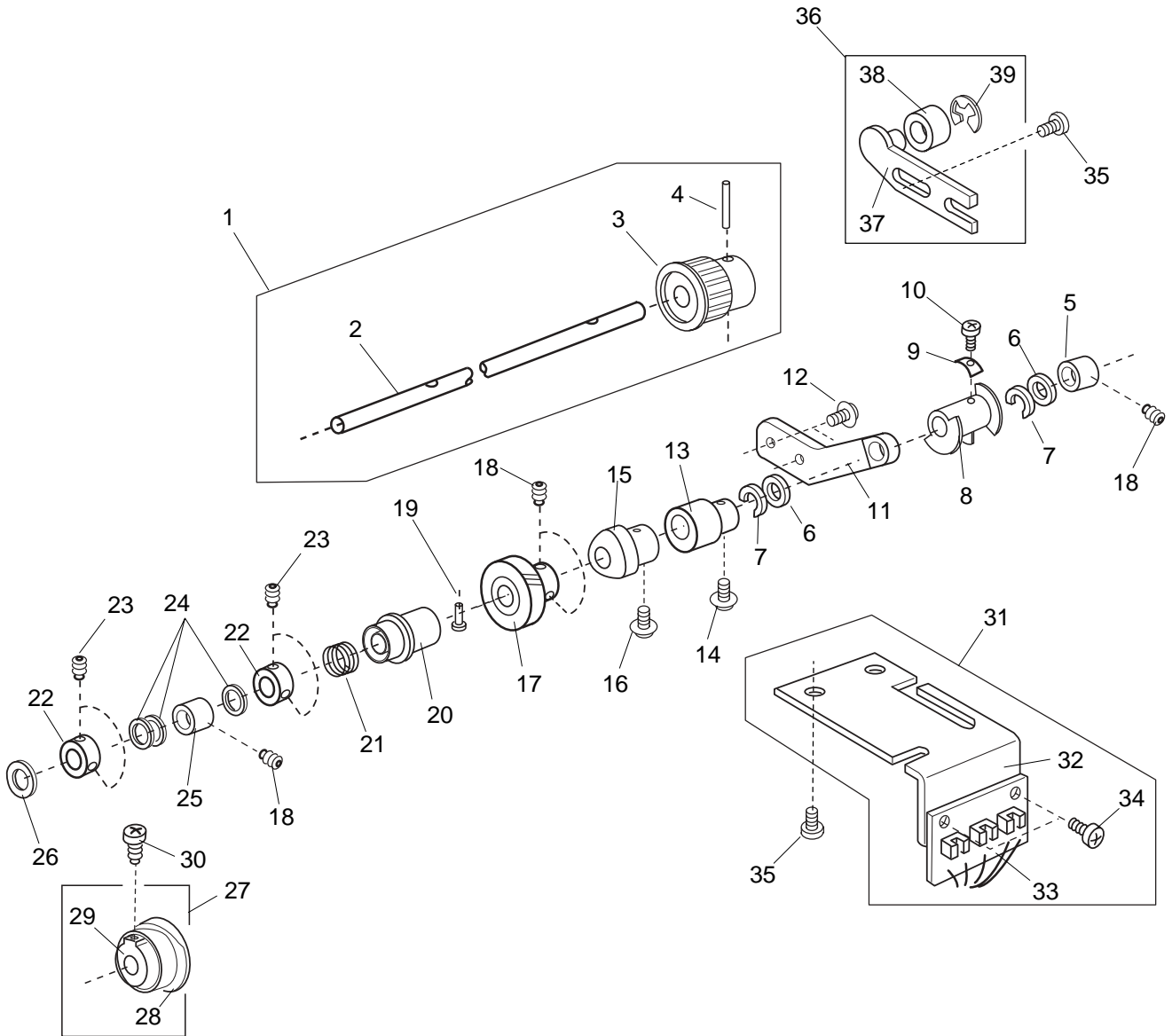
PARTS LIST



PARTS LIST

NO.	Part No.	Description
1	846671004	Upper shaft (unit)
2	846074001	Upper shaft
3	860007007	Take-up lever crank
4	000020707	Knock pin 4X20
5	102073003	Setscrew
6	761052007	Setscrew
7	670079108	Upper shaft front bushing
8	000035901	Washer
9	658019009	Ring
10	000111304	Hexagonal socket screw 5X5
11	731312005	Felt
12	846615000	Needle bar crank (unit)
13	652143005	Needle bar crank pin
14	647139002	Needle bar crank pin cap
15	650039001	Needle bar crank rod
16	650040005	Felt
17	650041006	Spring
18	846656003	Thread take-up lever (unit)
19	820511108	Thread take-up lever (unit)
20	502044007	Thread take-up lever pin
21	000002806	Snap ring E6
22	000111201	Hexagonal socket screw 4X4
23	846650007	Clutch base (unit)
24	846520007	Clutch base (unit)
25	846077004	Clutch base
26	846078005	Connecting block
27	000177607	Hexagonal socket screw 5X8
28	000111706	Hexagonal socket screw 5X8
29	846079006	Clutch spring
30	846191005	Washer
31	000030009	Snap ring E10
32	846189000	Clutch cam
33	846080000	Belt wheel
34	846082002	Ring
35	000111201	Hexagonal socket screw 4X4
36	846081104	Handwheel
37	846621009	Clutch base plate (unit)
38	000081005	Setscrew 4X8
39	846623001	Solenoid set plate (unit)
40	000002105	Snap ring E3
41	652512009	Needle bar crank pin (unit)
42	846523000	Belt wheel (unit)
43	846098001	Timing belt
44	846188009	Timing belt
45	846314006	Upper feed lifting cam
46	000078319	Setscrew 3X6

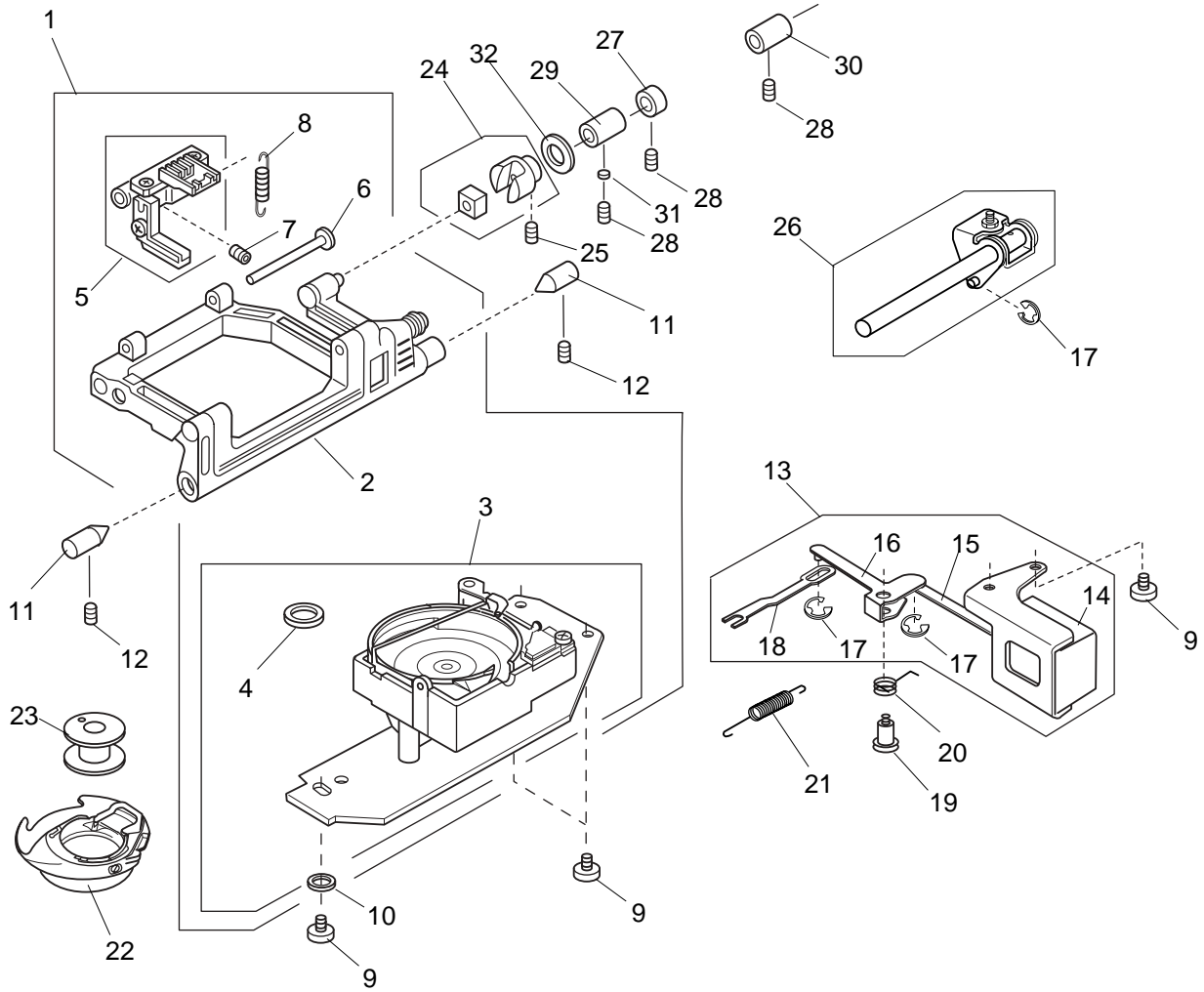
PARTS LIST



PARTS LIST

NO.	Part No.	Description
1	846625003	Lower shaft (unit)
2	846100007	Lower shaft
3	650073007	Lower shaft gear
4	000004200	Knock pin 3X18
5	650079003	Lower shaft bushing (rear)
6	822070003	Felt (1)
7	822112008	Felt holder (1)
8	846101008	Lower shaft shielding plate
9	846192006	Washer
10	000080406	Setscrew 3X10
11	846163008	Lower shaft supporter
12	000114802	Setscrew TP 4X12
13	846379009	Feed cam
14	000149600	Setscrew 3X14
15	860031000	Thread drawing lever cam
16	000115906	Setscrew TP 3X12
17	650076000	Lower shaft gear
18	000111304	Hexagonal socket screw 5X5
19	820161006	Feed lifting pin
20	846103000	Feed lifting cam
21	825093001	Feed lifting cam spring
22	820166001	Lower shaft ring
23	000111201	Hexagonal socket screw 4X4
24	000038502	Washer
25	650078002	Lower shaft bushing (front)
26	735143005	Felt
27	846626004	Cam (unit)
28	846105002	Cam (1)
29	846198002	Cam (2)
30	000114802	Setscrew TP 4X12
31	846627005	Lower shaft sensor (unit)
32	846102009	Sensor set plate
33	846507008	Printed circuit board P (unit)
34	000101105	Setscrew 3X4
35	000081005	Setscrew 4X8
36	846624105	Idler (unit)
37	846254007	Idler base
38	625217100	Idler
39	000002806	Snap ring E6

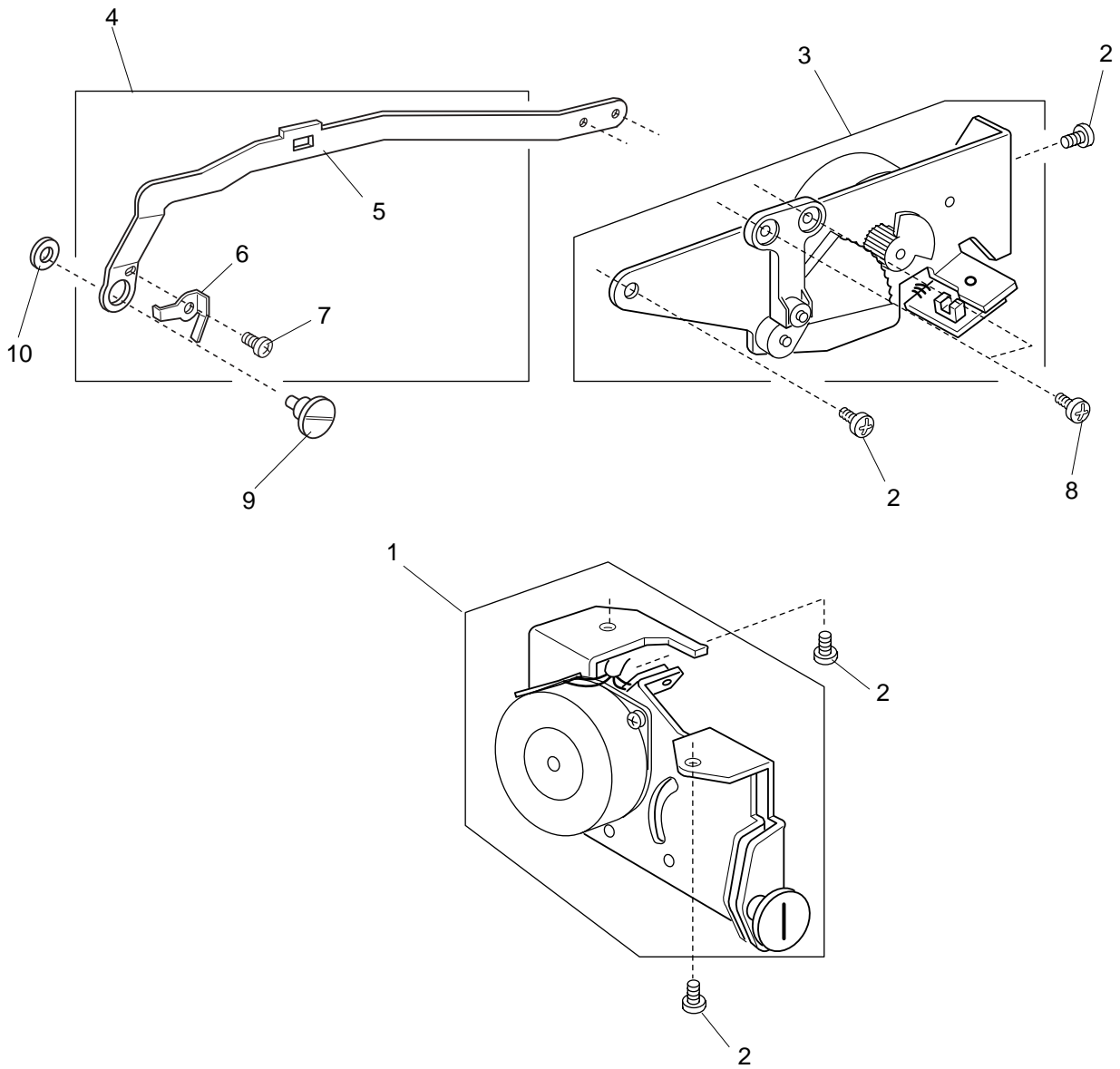
PARTS LIST



PARTS LIST

NO.	Part No.	Description
1	846672005	Feed rock shaft (whole unit)
2	846673006	Feed rock shaft (unit)
3	846674007	Hook race (unit)
4	627190010	Magnet
5	846651101	Feed dog set base (unit)
6	825099007	Pin
7	000111407	Hexagonal socket screw 4X6
8	825103005	Feed base spring
9	000081005	Setscrew 4X8
10	000070506	Washer
11	738055008	Straight pin
12	000111304	Hexagonal socket screw 5X5
13	846633004	Bobbin stopper soleniod (unit)
14	846509114	Solenoid (unit)
15	832089017	Solenoid rod (B)
16	846116006	Bobbin stopper converting arm
17	000002105	Snap ring E3
18	846117007	Bobbin stopper rod
19	846220004	Setscrew
20	846148007	Arm spring
21	846118008	Safety spring
22	846652009	Bobbin holder (unit)
23	102261103	Bobbin
24	625508008	Feed regulator (unit)
25	000111304	Hexagonal socket screw 5X5
26	846634005	Feed shaft (unit)
27	820387000	Ring
28	000111201	Hexagonal socket screw 4X4
29	625144002	Feed shaft bushing (front)
30	650092002	Feed shaft bushing (rear)
31	650175000	Cushion
32	823110009	Felt

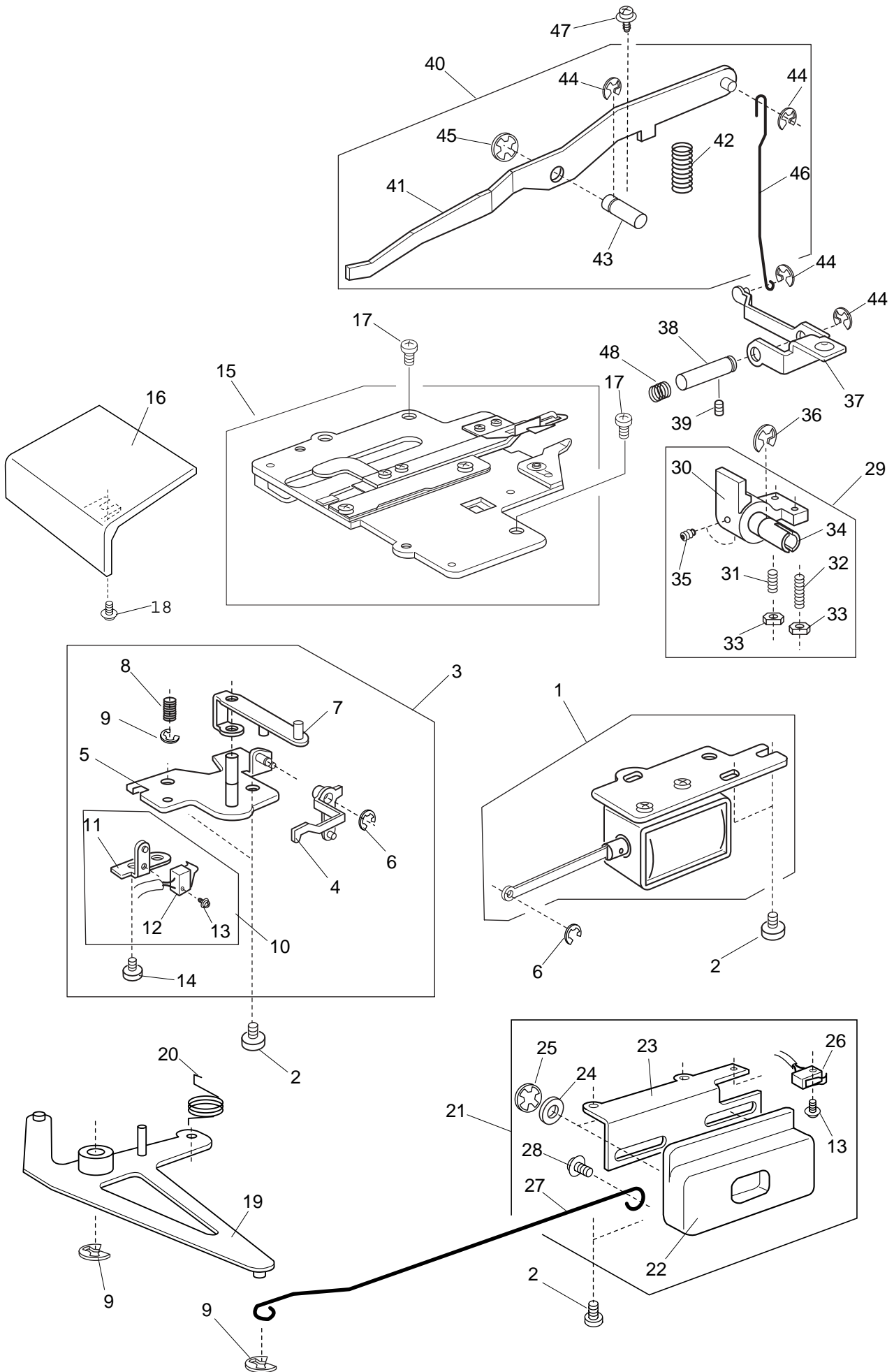
PARTS LIST



PARTS LIST

NO.	Part No.	Description
1	846635006	Feed motor (unit)
2	000081005	Setscrew 4X8
3	846637008	Zigzag width motor (unit)
4	846639000	Zigzag width rod (unit)
5	846137003	Zigzag width rod
6	827088009	Zigzag width rod spring
7	820373003	Setscrew 2X3
8	000078319	Setscrew 3X6
9	678084007	Eccentric pin
10	653037008	Washer

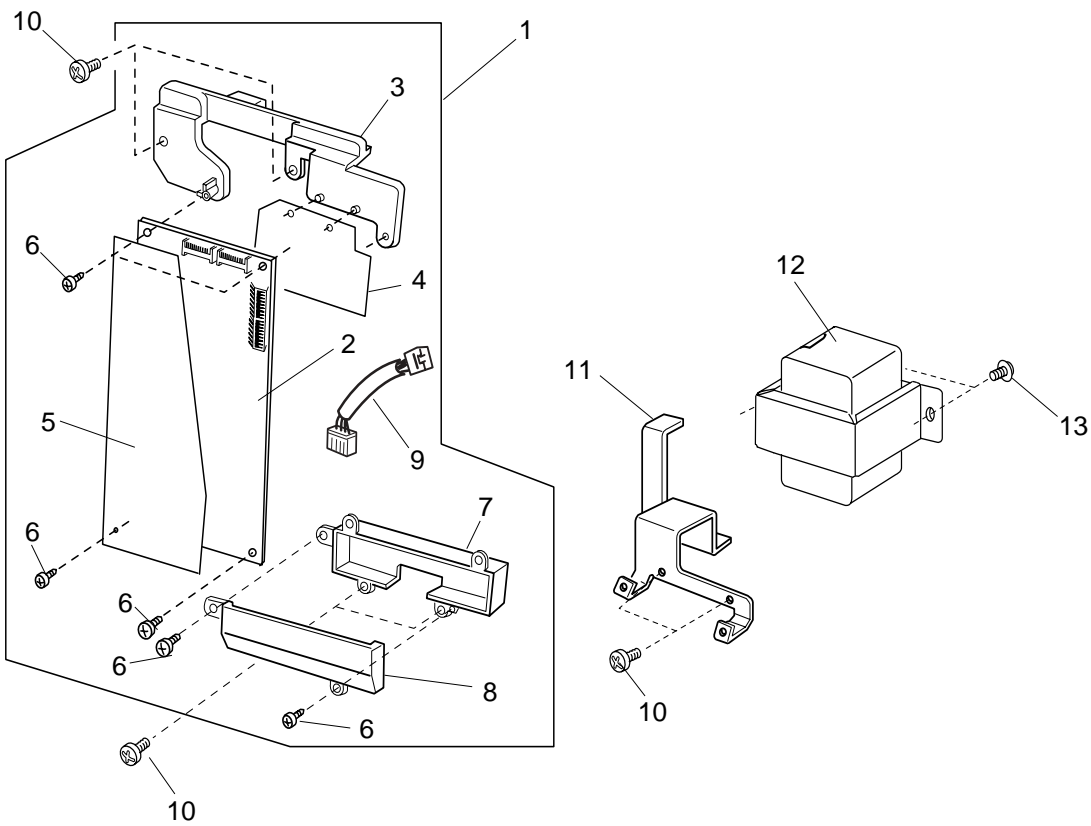
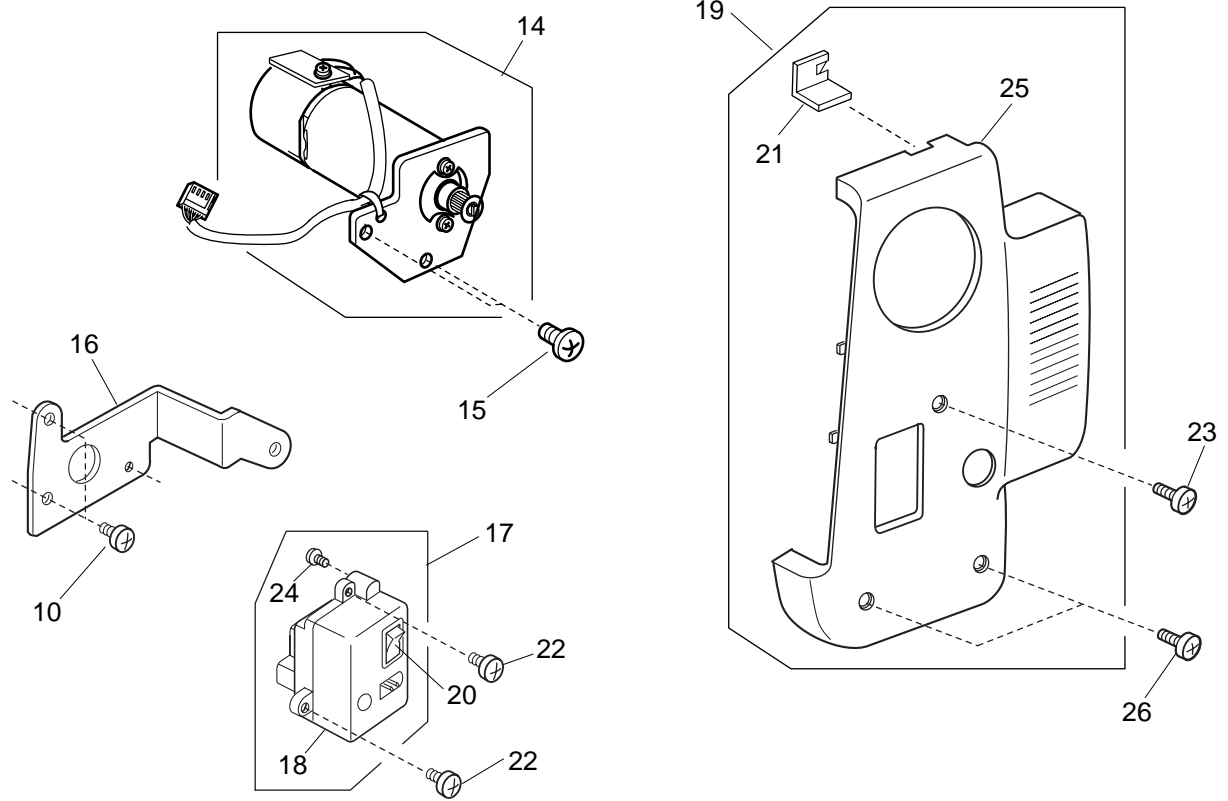
PARTS LIST



PARTS LIST

NO.	Part No.	Description
1	846586001	Thread cutter solenoid (unit)
2	000081005	Setscrew 4X8
3	846641108	Zigzag mechanism link (unit)
4	846139005	Zigzag mechanism link
5	846147006	Driving arm shaft base
6	000002105	Snap ring E3
7	846233000	Driving arm (1)
8	846154006	Spring
9	000002507	Snap ring E4
10	846642109	Thread cutter sensor (unit)
11	846158000	Thread cutter sensor base
12	846513306	Micro switch (unit)
13	000115308	Setscrew TP 3X4
14	000101105	Setscrew 3X4
15	846643100	Thread cutter (unit)
16	846195009	Thread cutter cover
17	000101404	Setscrew 4X6
18	000115205	Setscrew TP 4X6
19	846026008	Drop feed lever
20	846214005	Drop feed lever spring
21	846645009	Feed dog drop lever (unit)
22	846027009	Feed dog drop lever
23	846211002	Feed dog drop lever set plate
24	000072003	Washer
25	000013903	Snap ring CS5
26	660518505	Micro switch (unit)
27	846028000	Rod
28	000109309	Setscrew 3X10
29	846646206	Knee lifter lever (1) (unit)
30	846167105	Knee lifter lever (1)
31	000178505	Hexagonal socket screw 5X25
32	000179104	Hexagonal socket screw 5X30
33	000061412	Nut 5-3-8
34	846166104	Knee lifter shaft
35	000111706	Hexagonal socket screw 5X8
36	000002208	Snap ring E9
37	846338006	Knee lifter lever (2)
38	767059002	Lever shaft
39	000111201	Hexagonal socket screw 4X4
40	846581006	Knee lifter lever (3) (unit)
41	846336004	Knee lifter lever (3)
42	846173001	Spring
43	767062008	Knee lifter lever shaft
44	000001609	Snap ring E5
45	000013800	Snap ring CS6
46	846337005	Presser foot lifter pulling bar
47	000115700	Setscrew TP 4X10
48	846339007	Spring

PARTS LIST

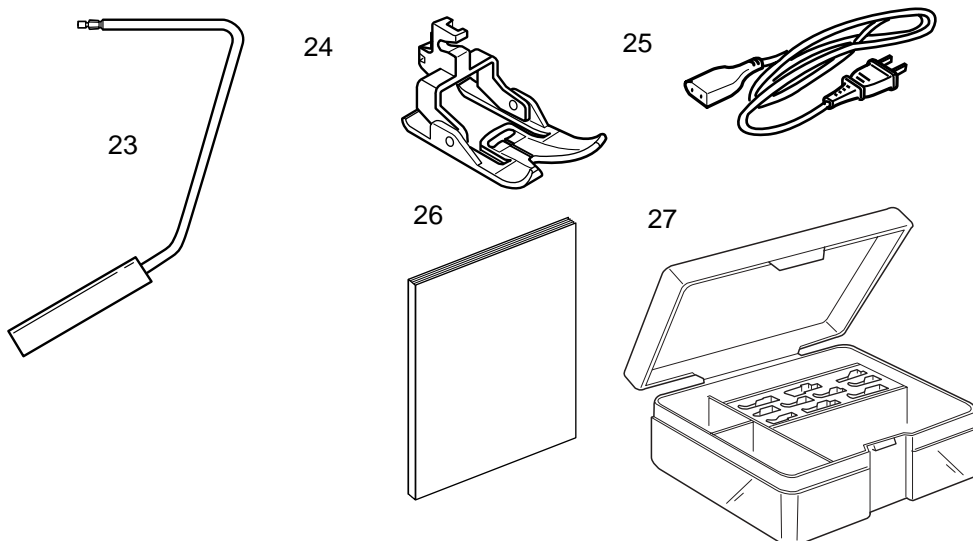
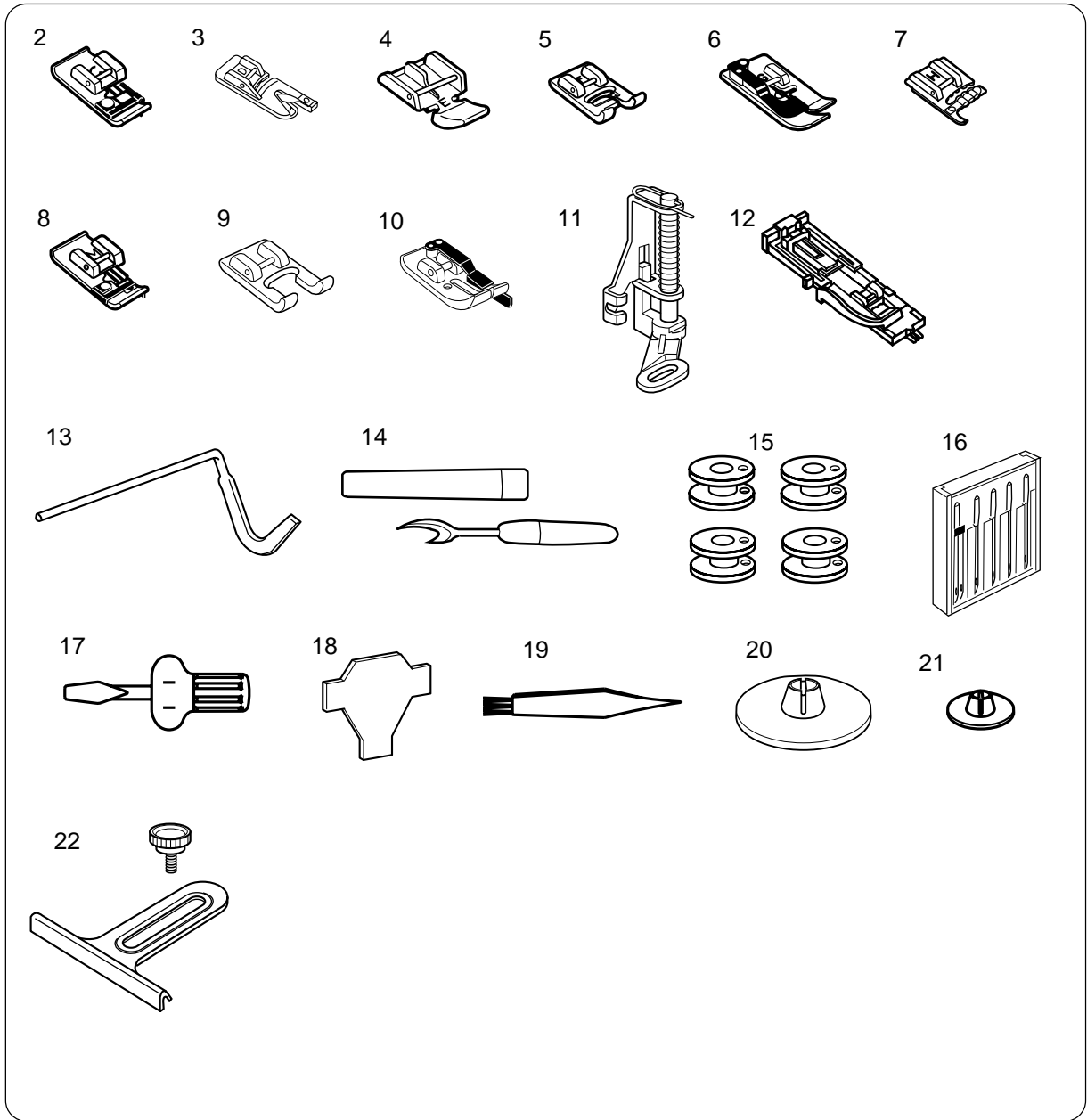


PARTS LIST

NO.	Part No.	Description
1	846648600	Printed circuit board A (unit)
2	846552204	Printed circuit board A (unit)
3	846181002	Printed circuit board A set plate
4	846182003	Insulation paper (1)
5	846183004	Insulation paper (2)
6	000120203	Setscrew 3X8
7	846184005	Printed circuit board A case
8	846185006	Printed circuit board A case cap
9	846521008	Cord
10	000081005	Setscrew 4X8
11	846186007	Transformer supporter (120V)
	846203001	Transformer supporter (230V)
12	846502003	Transformer (unit) (120V)
	846512006	Transformer (unit) (230V)
13	000115205	Setscrew TP 4X6
14	846649003	Motor (unit)
15	000115607	Setscrew TP 4X8
16	846201009	Machine socket set plate
17	845503207	Machine socket (unit) (120V)
	845504208	Machine socket (unit) (230V)
18	845034109	Machine socket (120V)
	845034006	Machine socket (230V)
19	846670003	Belt cover (unit)
20	655509105	Power switch (unit)
21	840602006	Thread cutter (unit)
22	000103509	Setscrew 4X10
23	000101426	Setscrew 4X6
26	000170507	Setscrew 4X12

PARTS LIST

1



PARTS LIST

NO.	Part No.	Description
1	846870809	Standard accessories (unit)
2	822801001	Overedge foot (C)
3	820809014	Hemmer foot (H)
4	829801002	Zipper foot (E)
5	822804118	Satin stitch foot (F)
6	825817009	Blind hem foot (G)
7	820819006	Cording foot (H)
8	822808008	Overedge foot (M)
9	832427103	Satin stitch foot F2)
10	200008037	1/4" seam foot
11	830856109	Darning foot
12	753801004	BH foot
13	802422002	Quilting bar
14	647808009	Seam ripper (buttonhole opener)
15	102261103	Bobbin
16	820827007	Needle case (unit)
17	820832005	Screwdriver (large)
18	653802002	Screwdriver
19	802424004	Lint brush
20	822020503	Spool holder (large)
21	822019509	Spool holder (small)
22	200100708	Cloth guide (unit)
23	846811008	Knee lifter
24	846570002	Dual feed foot (unit)
25	653524007	Power supply cord (U.S.A. & Canada)
	830314018	Power supply cord (Aust. N.Z.)
	830377008	Power supply cord (for U.K.)
	830335004	Power supply cord (for Continental Europe)
26	846800233	Instruction book (English)
	846800255	Instruction book (French)
	846800266	Instruction book (Dutch)
	846800277	Instruction book (German)
	846800288	Instruction book (Spanish)
	846800299	Instruction book (Swedish)
	846800303	Instruction book (Norwegian)
	846800314	Instruction book (Danish)
	846800325	Instruction book (Finnish)
	846800336	Instruction book (Italian)
	846800347	Instruction book (Portuguese)
27	846810007	Standard accessory case