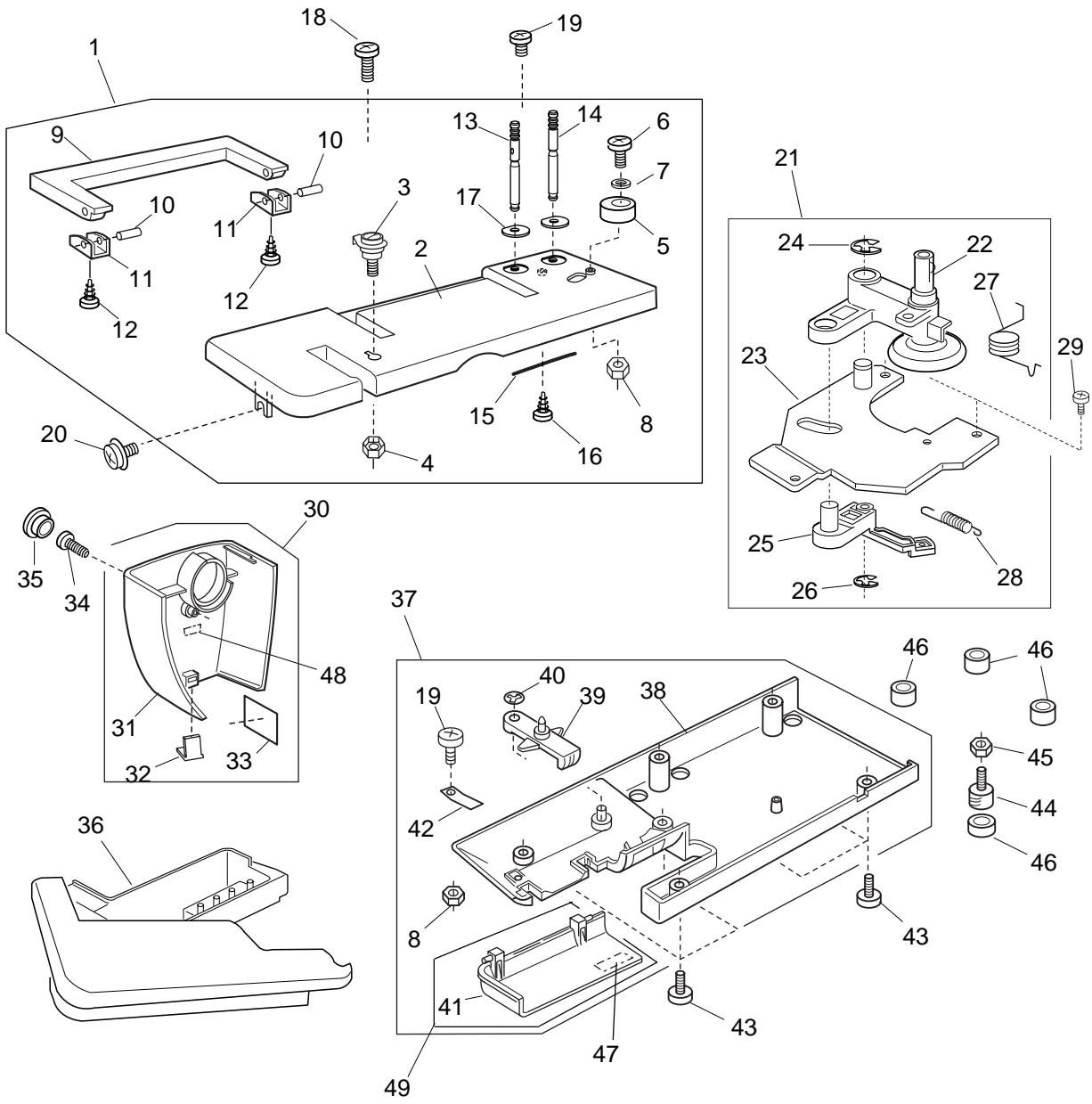


# ***PARTS LIST***

**MODEL (423S, 419S)**

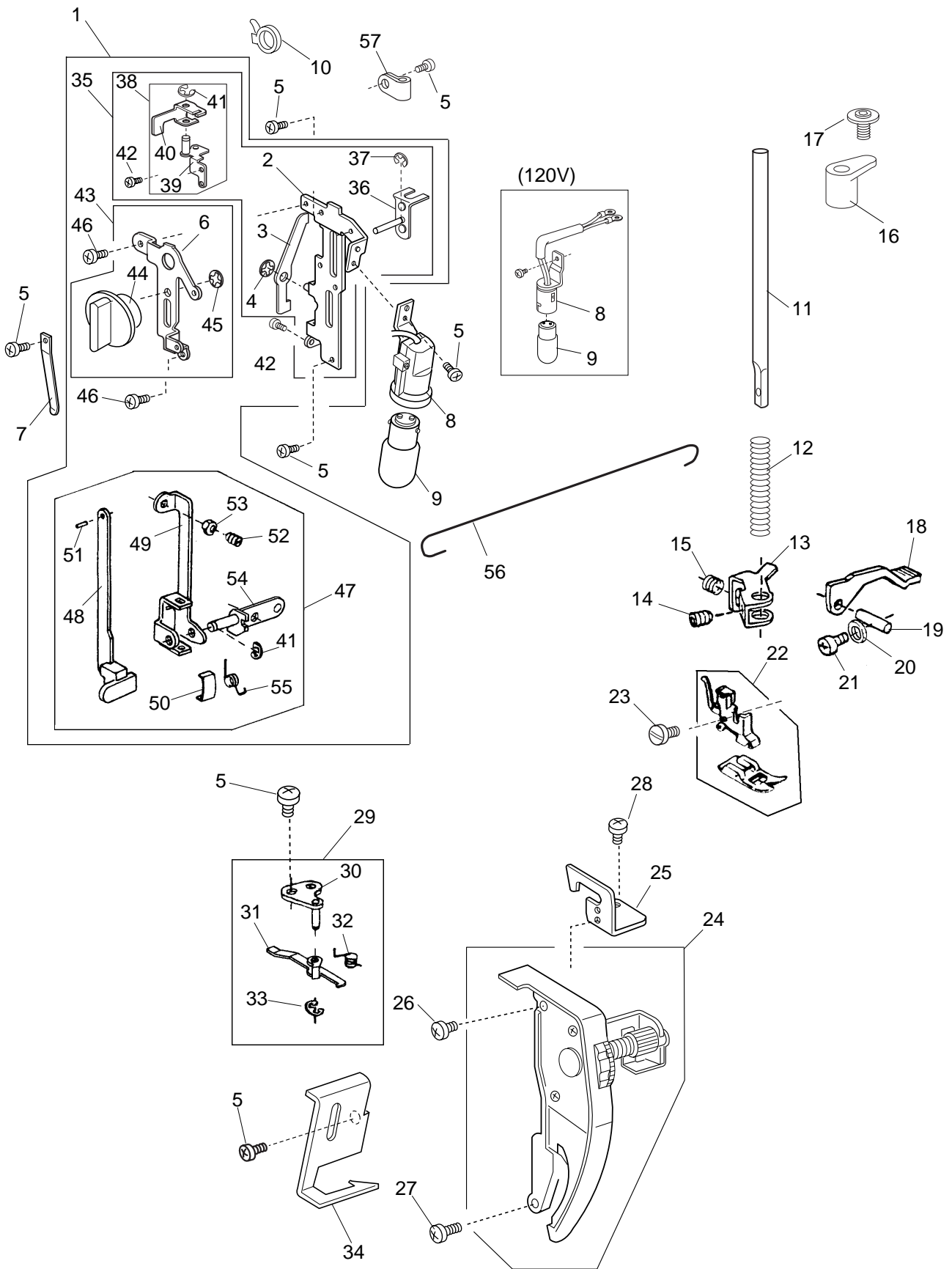
# PARTS LIST



# PARTS LIST

| KEY<br>NO. | PART<br>NO. | DESCRIPTION  |
|------------|-------------|--|
| 1          | 303602006   | TOP COVER UNIT   |
| 2          | 303009007   | TOP COVER  |
| 3          | 730501011   | THREAD GUIDE PLATE UNIT                                  |
| 4          | 000160102   | ADJUSTABLE NUT 4   |
| 5          | 735016307   | BOBBIN WINDER STOPPER                                    |
| 6          | 000101828   | SETSCREW 4X16  |
| 7          | 000071013   | PLAIN WASHER   |
| 8          | 000061205   | NUT  |
| 9          | 303010001   | CARRYING HANDLE  |
| 10         | 730015002   | HANDLE FIXING PLATE PIN                                  |
| 11         | 730016003   | HANDLE FIXING PLATE                                      |
| 12         | 000107204   | TAPPING SCREW 3X12B                                      |
| 13         | 652302004   | SPOOL PIN  |
| 14         | 652205006   | SPOOL PIN  |
| 15         | 736007009   | SPOOL PIN SPRING   |
| 16         | 000076317   | SETSCREW 3X10  |
| 17         | 735013005   | CUSHION  |
| 18         | 000104108   | SETSCREW 4X20  |
| 19         | 000101404   | SETSCREW 4X6   |
| 20         | 000115205   | TP SCREW 4X6   |
| 21         | 303603007   | BOBBIN WINDER UNIT                                       |
| 22         | 303502005   | BOBBIN WINDER ARM UNIT                                   |
| 23         | 303012003   | BOBBIN WINDER PLATE                                      |
| 24         | 000002806   | SNAP RING E-6  |
| 25         | 303013004   | CRUCH ARM  |
| 26         | 000002105   | SNAP RING E-3  |
| 27         | 303014005   | BOBBIN WINDER SPRING (1)                                 |
| 28         | 303015006   | BOBBIN WINDER SPRING (2)                                 |
| 29         | 000081005   | SETSCREW 4X8   |
| 30         | 303624004   | FACE PLATE UNIT (U.K. & CANADA)                          |
|            | 303624107   | FACE PLATE UNIT (U.S.A., AUSTRALIA & CONTINENTAL EUROPE) |
| 31         | 303063102   | FACE PLATE   |
| 32         | 840602006   | THREAD CUTTER UNIT                                       |
| 33         | 366076000   | STICKER  |
| 34         | 000093309   | SETSCREW 4X14  |
| 35         | 653006101   | CAP  |
| 36         | 303501004   | EXTENSION TABLE UNIT                                     |
| 37         | 303601005   | BASE COVER UNIT (AUSTRALIA, U.K. & CONTINENTAL EUROPE)   |
|            | 303601108   | BASE COVER UNIT (U.S.A.)                                 |
|            | 303601201   | BASE COVER UNIT (CANADA)                                 |
| 38         | 303003001   | BASE   |
| 39         | 738060006   | DROP LEVER   |
| 40         | 000013903   | SNAP RING CS-5   |
| 41         | 303005003   | BED LID  |
| 42         | 730006000   | LID SPRING   |
| 43         | 000081005   | SETSCREW 4X8   |
| 44         | 647010006   | LEVEL ADJUSTING SCREW                                    |
| 45         | 000061319   | NUT  |
| 46         | 647009002   | BED RUBBER BASE  |
| 47         | 830312016   | CAUTION STICKER (U.S.A.)                                 |
|            | 100045000   | CAUTION STICKER (CANADA)                                 |
| 48         | 100411104   | LAMP STICKER (U.S.A. & AUSTRALIA)                        |
| 49         | 303618005   | BED LID UNIT (U.S.A.)                                    |
|            | 303618108   | BED LID UNIT (CANADA)                                    |

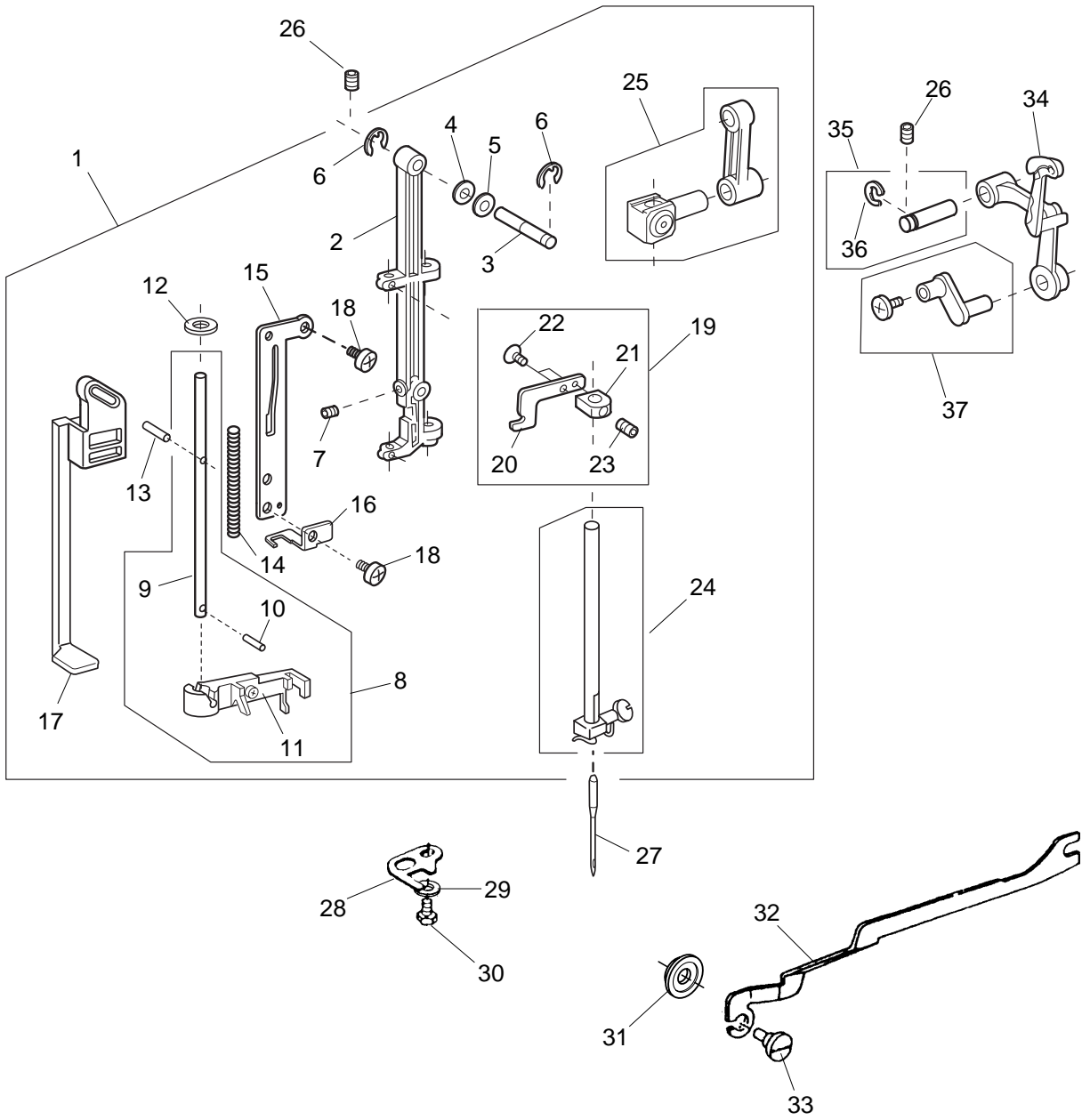
# PARTS LIST



# PARTS LIST

| KEY<br>NO. | PARTS<br>NO. | DESCRIPTION  |
|------------|--------------|--|
| 1          | 303626006    | FRONT BRACKET UNIT (AUSTRALIA, U.K. & CONTINENTAL EUROPE)  |
|            | 303627007    | FRONT BRACKET UNIT (U.S.A. & CANADA)                       |
| 2          | 303018010    | FRONT BRACKET (AUSTRALIA, U.K. & CONTINENTAL EUROPE))      |
|            | 303068015    | FRONT BRACKET (U.S.A. & CANADA)                            |
| 3          | 303019000    | TENSION RELEASE LEVER                                      |
| 4          | 000013903    | SNAP RING CS-4   |
| 5          | 000101404    | SETSCREW 4X6   |
| 6          | 303021108    | FACE PLATE BASE PLATE                                      |
| 7          | 730024004    | NEEDLE BAR SUPPORTER SPRING                                |
| 8          | 740618208    | LAMP SOCKET UNIT (AUSTRALIA, U.K. & CONTINENTAL EUROPE))   |
|            | 647510609    | LAMP SOCKET UNIT (U.S.A.)                                  |
|            | 647513048    | LAMP SOCKET UNIT (CANADA)                                  |
| 9          | 000009009    | LAMP BULB 240V (AUSTRALIA, U.K. & CONTINENTAL EUROPE))     |
|            | 000009803    | LAMP BULB 120V (U.S.A. & CANADA)                           |
| 10         | 000053008    | NYLON BELT   |
| 11         | 826006000    | PRESSER BAR  |
| 12         | 303067003    | PRESSER BAR SPRING   |
| 13         | 822069009    | PRESSER BAR BRACKET  |
| 14         | 000111500    | HEXAGONAL SOCKET SCREW 4X8                                 |
| 15         | 102222009    | PRESSER REGULATOR SPRING                                   |
| 16         | 652104004    | PRESSER BAR BUSHING  |
| 17         | 000193001    | SETSCREW 4X6   |
| 18         | 822071004    | PRESSER FOOT LIFTER  |
| 19         | 822072005    | PRESSER FOOT LIFTER PIN                                    |
| 20         | 000072302    | WASHER   |
| 21         | 000103509    | SETSCREW 4X10  |
| 22         | 611520003    | FOOT HOLDER UNIT   |
| 23         | 763048006    | THUMB SCREW  |
| 24         | 303503006    | TENSION REGULATOR UNIT                                     |
| 25         | 739016000    | TOP COVER THREAD GUIDE                                     |
| 26         | 000103808    | SETSCREW 3X5   |
| 27         | 000101703    | SETSCREW 4X12  |
| 28         | 000081005    | SETSCREW 4X8   |
| 29         | 303620000    | TENSION RELEASE ARM UNIT                                   |
| 30         | 739017001    | TENSION RELEASE ARM BASE                                   |
| 31         | 739018002    | TENSION RELEASE ARM  |
| 32         | 303070009    | TENSION RELEASE SPRING                                     |
| 33         | 000002105    | SNAP RING E-3  |
| 34         | 303008006    | ARM THREAD GUIDE   |
| 35         | 303621001    | FRONT BRACKET UNIT (AUSTRALIA, U.K. & CONTINENTAL EUROPE)) |
|            | 303622002    | FRONT BRACKET UNIT (U.S.A. & CANADA)                       |
| 36         | 303062008    | PRESSER ADJUSTING PLATE                                    |
| 37         | 000002507    | SNAP RING E-4  |
| 38         | 303628008    | BH LEVER BASE UNIT   |
| 39         | 303084006    | BH LEVER BASE  |
| 40         | 722009008    | BH ADJUSTING LEVER   |
| 41         | 000002105    | SNAP RING E-3  |
| 42         | 000103808    | SETSCREW 3X5   |
| 43         | 303623003    | PRESSER DIAL UNIT  |
| 44         | 501010001    | PRESSER DIAL   |
| 45         | 000014007    | SNAP RING CS-4   |
| 46         | 000101404    | SETSCREW 4X6   |
| 47         | 740617001    | BH LEVER UNIT  |
| 48         | 753629109    | BH LEVER UNIT  |
| 49         | 740047004    | BH LEVER SUPPORTER   |
| 50         | 753027008    | FRICTION SPRING  |
| 51         | 000023009    | SPRING PIN   |
| 52         | 000113306    | SCREW 4X10   |
| 53         | 000160102    | ADJUSTING LOCK NUT 4                                       |
| 54         | 740048005    | BH LEVER BASE  |
| 55         | 740049006    | BH LEVER SPRING  |
| 56         | 740052002    | BH STEP UP ROD   |
| 57         | 000188405    | NYLON CRIP   |

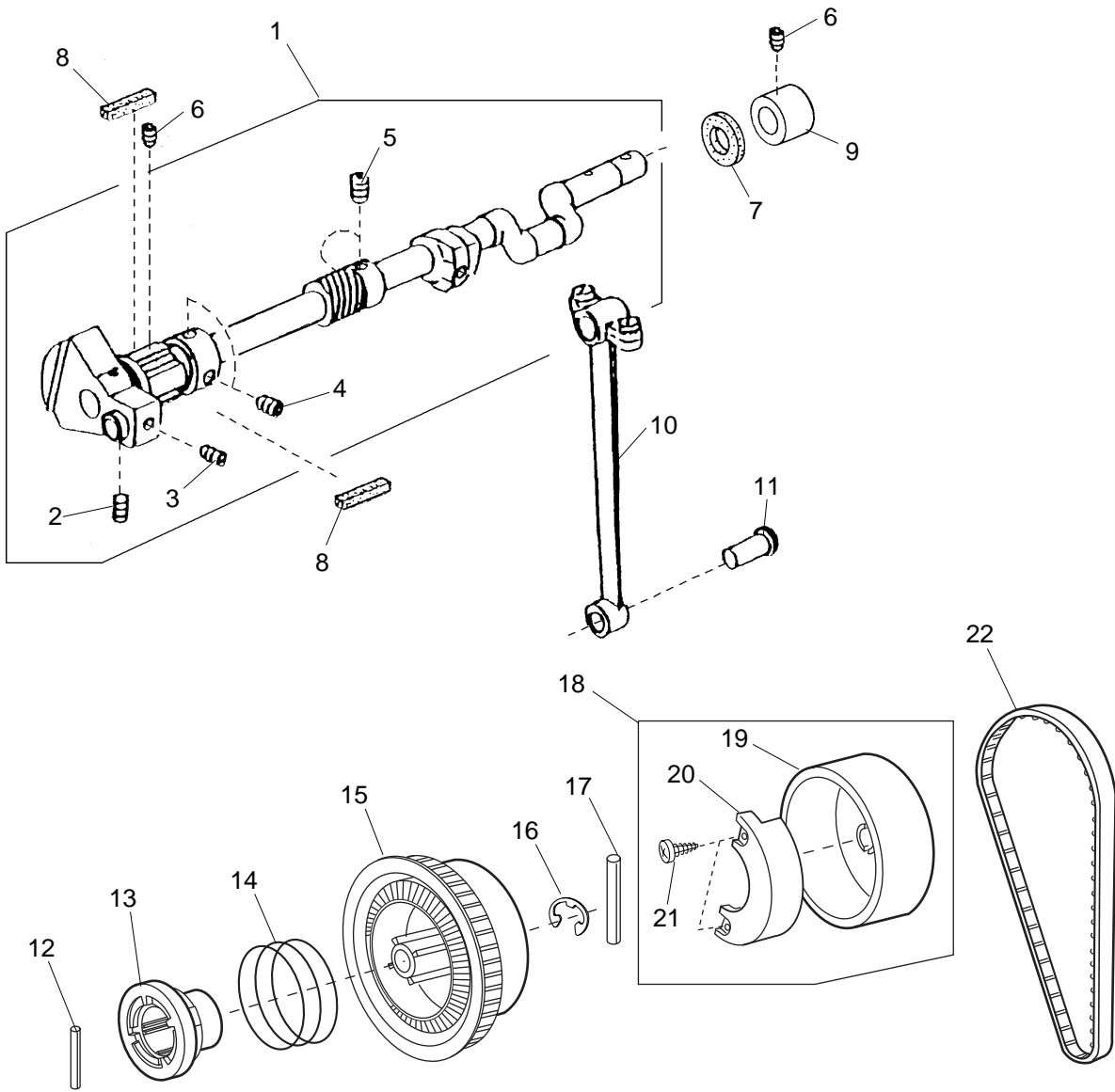
# PARTS LIST



# PARTS LIST

| KEY NO. | PARTS NO. | DESCRIPTION                     |
|---------|-----------|---------------------------------|
| 1       | 303604008 | NEEDLE BAR SUPPORTER UNIT       |
| 2       | 303020107 | NEEDLE BAR SUPPORTER            |
| 3       | 730022002 | NEEDLE BAR SUPPORTER PIN        |
| 4       | 673022002 | SPRING WASHER                   |
| 5       | 000070609 | PLAIN WASHER 6                  |
| 6       | 000002507 | SNAP RING E-4                   |
| 7       | 000111902 | HEXAGONAL SOCKET SCREW 3X4      |
| 8       | 303605009 | NEEDLE THREADER SHAFT UNIT      |
| 9       | 303016007 | NEEDLE THREADER SHAFT           |
| 10      | 000003508 | SPRING PIN                      |
| 11      | 755643002 | NEEDLE THREADER PLATE           |
| 12      | 734107004 | WASHER                          |
| 13      | 000125105 | GROOVED PIN                     |
| 14      | 840035002 | NEEDLE THREADER SPRING          |
| 15      | 303064000 | NEEDLE THREADER GUIDE PLATE     |
| 16      | 840037004 | NEEDLE THREADER LEVER SUPP.     |
| 17      | 840034001 | NEEDLE THREADER LEVER           |
| 18      | 000078319 | SETSCREW 3X6                    |
| 19      | 734625003 | NEEDLE THREADER REGULATOR UNIT  |
| 20      | 734101008 | NEEDLE THREADER REGULATOR       |
| 21      | 734102009 | NEEDLE THREADER BASE PLATE      |
| 22      | 000097602 | SETSCREW 2X4                    |
| 23      | 000111902 | HEXAGONAL SOCKET SCREW 3X4      |
| 24      | 730503116 | NEEDLE BAR UNIT                 |
| 25      | 680504005 | NEEDLE BAR CONNECTING STUD UNIT |
| 26      | 000111304 | HEXAGONAL SOCKET SCREW 5X5      |
| 27      | 102408089 | NEEDLE HA1-14                   |
| 28      | 680036001 | STOPPER                         |
| 29      | 000070506 | WASHER                          |
| 30      | 000066303 | BOLT                            |
| 31      | 748021006 | ZIGZAG ROD WASHER               |
| 32      | 722033001 | ZIGZAG ROD                      |
| 33      | 678084007 | ECCENTRIC PIN                   |
| 34      | 625506109 | THREAD TAKE-UP LEVER UNIT       |
| 35      | 731511006 | THREAD TAKE-UP LEVER PIN        |
| 36      | 000002806 | SNAP RING E-6                   |
| 37      | 730509008 | NEEDLE BAR CRANK PIN UNIT       |

# PARTS LIST

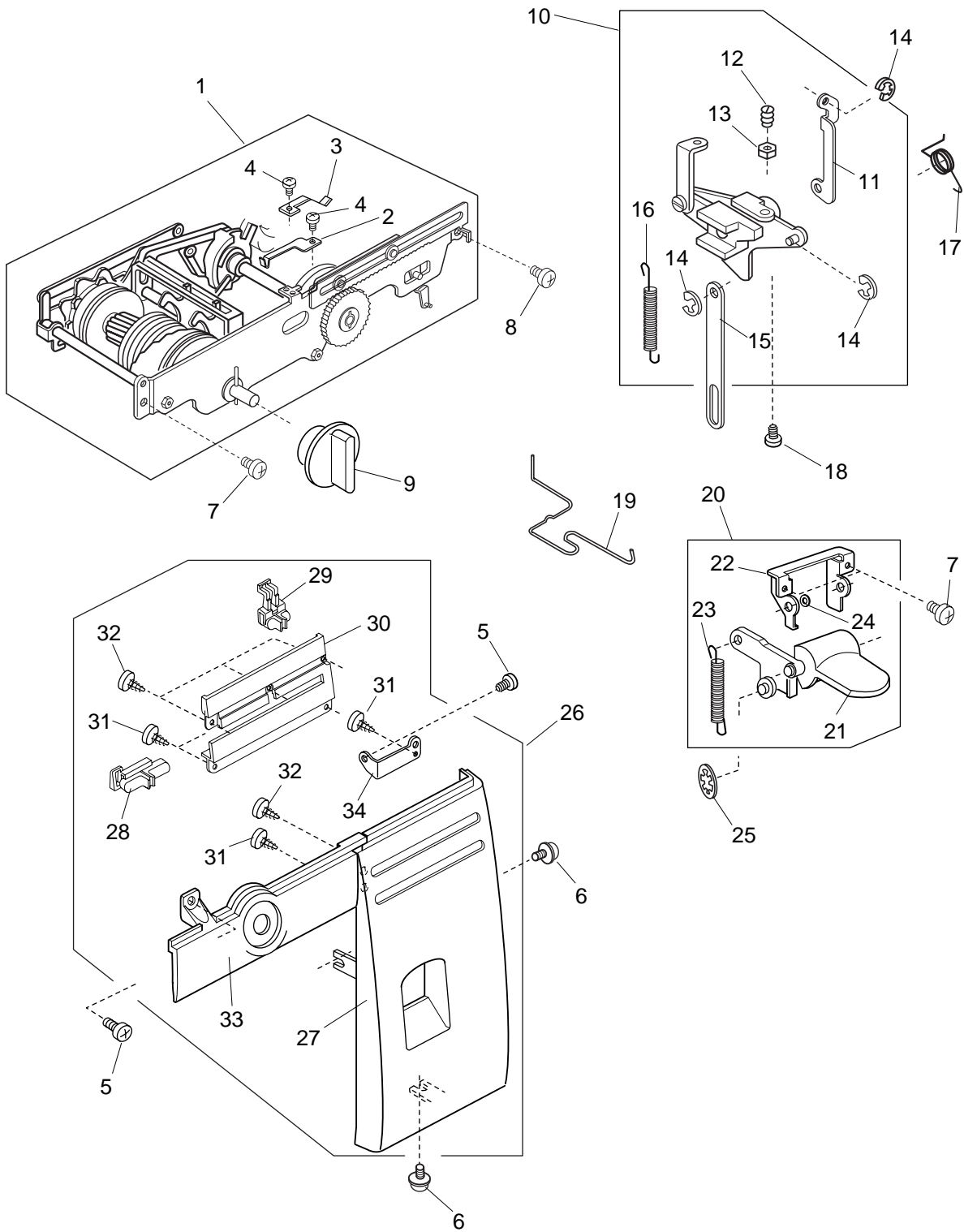




# PARTS LIST

| KEY | PARTS     |                            |
|-----|-----------|----------------------------|
| NO. | NO.       | DESCRIPTION                |
| 1   | 303608002 | UPPER SHAFT (UNIT)         |
| 2   | 102073003 | SCREW                      |
| 3   | 102063000 | SCREW                      |
| 4   | 000111304 | HEXAGONAL SOCKET SCREW 5X5 |
| 5   | 553245008 | HEXAGONAL SOCKET SCREW     |
| 6   | 000111108 | HEXAGON SOCKET SCREW 4X6   |
| 7   | 743029009 | FELT                       |
| 8   | 731312005 | FELT                       |
| 9   | 732003003 | UPPER SHAFT REAR BUSHING   |
| 10  | 738634007 | CRANK ROD UNIT             |
| 11  | 735064001 | CRANK ROD PIN              |
| 12  | 000024206 | SPRING PIN 3X30            |
| 13  | 502064003 | CLUTCH RING                |
| 14  | 502065004 | CLUTCH SPRING              |
| 15  | 303025009 | BELT WHEEL                 |
| 16  | 000030205 | SNAP RING E-8              |
| 17  | 000023803 | SPRING PIN 4X40            |
| 18  | 303609003 | HANDWHEEL UNIT             |
| 19  | 303026000 | HANDWHEEL                  |
| 20  | 303027001 | BALANCE WEIGHT             |
| 21  | 000161206 | TAPPING SCREW 3X10B        |
| 22  | 738046006 | TIMING BELT                |

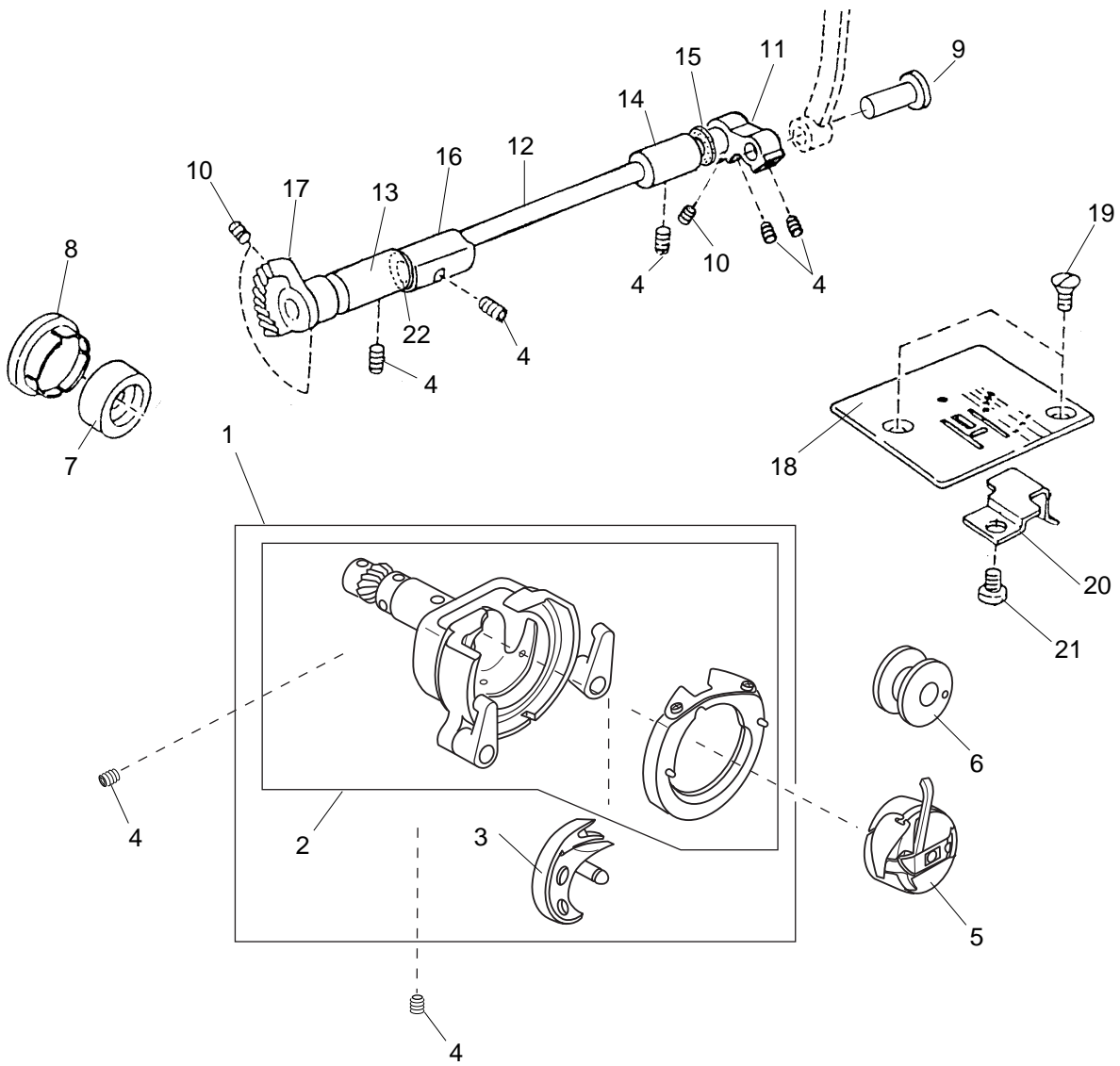
# PARTS LIST



# PARTS LIST

| KEY NO. | PARTS NO. | DESCRIPTION                        |
|---------|-----------|------------------------------------|
| 1       | 303625005 | ZIGZAG MECHANISM UNIT              |
|         | 303625108 | ZIGZAG MECHANISM UNIT (MODEL 419S) |
| 2       | 303028002 | INDEX SPRING                       |
| 3       | 303051004 | INDEX SPRING                       |
| 4       | 000078319 | SETSCREW 3X6                       |
| 5       | 000101404 | SETSCREW 4X6                       |
| 6       | 000115205 | TP SCREW 4X6                       |
| 7       | 000081005 | SETSCREW 4X8                       |
| 8       | 810220003 | SETSCREW                           |
| 9       | 303052005 | PATTERN SELECTOR DIAL              |
| 10      | 303610100 | FEED REGULATOR UNIT                |
| 11      | 303029003 | FEED REGULATOR ROD                 |
| 12      | 648010009 | SETSCREW                           |
| 13      | 000160102 | ADJUSTABLE NUT                     |
| 14      | 000002105 | SNAP RING E-3                      |
| 15      | 731034000 | REVERSE LEVER ROD                  |
| 16      | 303085007 | FEED REGULATOR SPRING              |
| 17      | 735077007 | FEED REGULATOR BODY SPRING         |
| 18      | 000101301 | SETSCREW 5X10                      |
| 19      | 730041007 | SPRING SUSTAINER                   |
| 20      | 303611008 | REVERSE LEVER UNIT                 |
| 21      | 303030007 | REVERSE LEVER                      |
| 22      | 303031008 | REVERSE LEVER SUPPORTER            |
| 23      | 731033009 | REVERSE LEVER SPRING               |
| 24      | 000111608 | SPRING WASHER                      |
| 25      | 000013903 | SNAP RING CS-5                     |
| 26      | 303614012 | FRONT COVER UNIT                   |
|         | 303614023 | FRONT COVER UNIT (MODEL 419S)      |
| 27      | 303053110 | FRONT COVER                        |
|         | 303053121 | FRONT COVER (MODEL 419S)           |
| 28      | 303054007 | WIDTH SLIDE BUTTON                 |
| 29      | 303055008 | FEED SLIDE BUTTON                  |
| 30      | 303056009 | SLIDE BUTTON PLATE                 |
| 31      | 000120203 | TAPPING SCREW 3X8                  |
| 32      | 000161103 | TAPPING SCREW 3X6                  |
| 33      | 303057114 | FRONT PANEL FRAME                  |
|         | 303057125 | FRONT PANEL FRAME (MODEL 419S)     |
| 34      | 303058001 | FRONT COVER SET PLATE              |

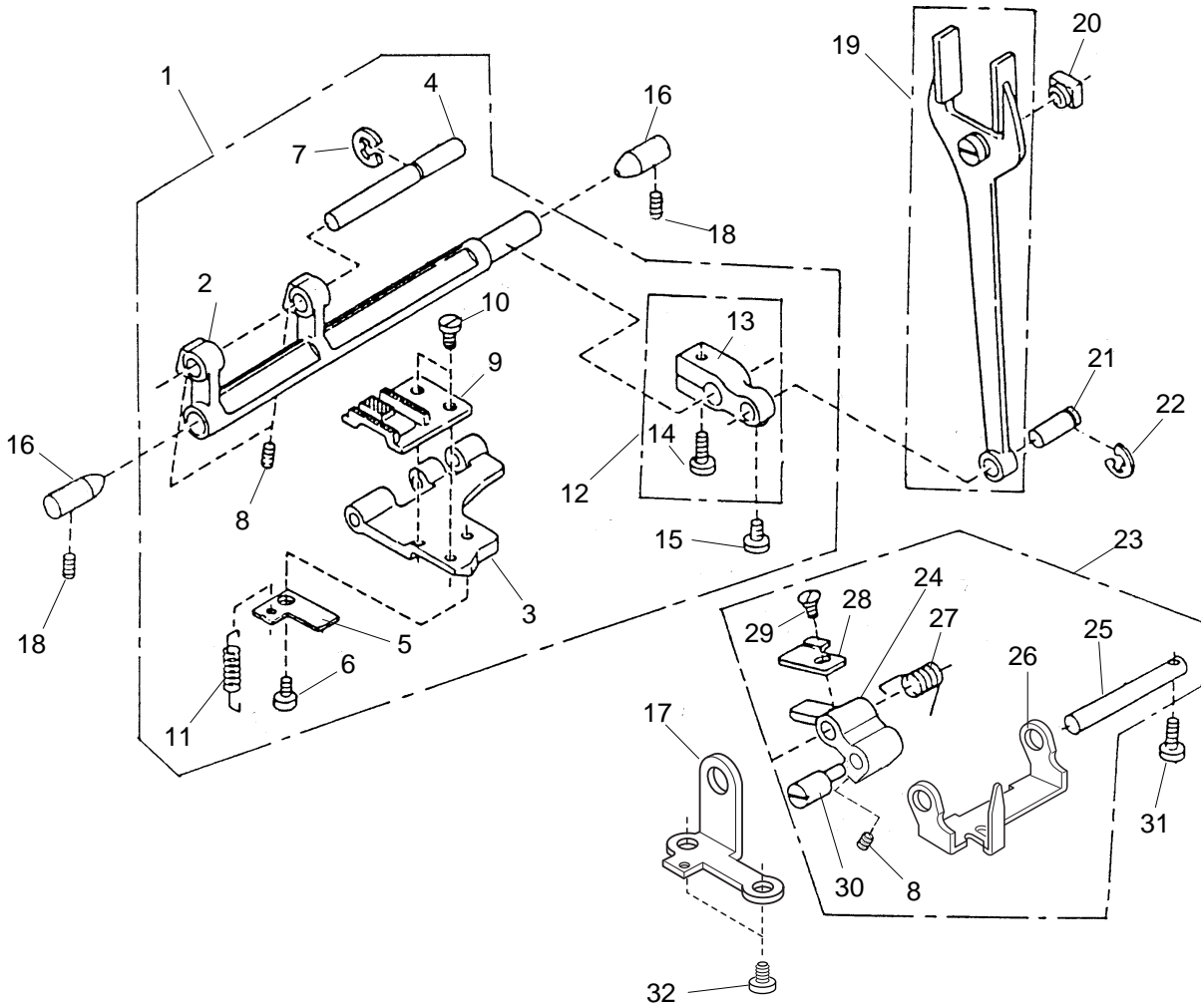
# PARTS LIST



# PARTS LIST

| KEY NO. | PARTS NO. | DESCRIPTION                   |
|---------|-----------|-------------------------------|
| 1       | 640603104 | HOOK RACE UNIT                |
| 2       | 640503000 | HOOK RACE UNIT                |
| 3       | 532096007 | HOOK                          |
| 4       | 000111304 | HEXAGONAL SOCKET SCREW 5X5    |
| 5       | 647515006 | BOBBIN CASE UNIT              |
| 6       | 102261000 | BOBBIN                        |
| 7       | 640018003 | HOOK DRIVER SHAFT BUSHING     |
| 8       | 626045407 | CAP                           |
| 9       | 735064001 | CRANK ROD PIN                 |
| 10      | 000110107 | HEXAGONAL SOCKET SCREW 5X5 WP |
| 11      | 738023007 | LOWER SHAFT CRANK             |
| 12      | 647142008 | LOWER SHAFT                   |
| 13      | 738024008 | LOWER SHAFT FRONT BUSHING     |
| 14      | 640038009 | LOWER SHAFT REAR BUSHING      |
| 15      | 722034002 | FELT                          |
| 16      | 647043008 | FEED LIFTING CAM              |
| 17      | 730038001 | LOWER SHAFT GEAR              |
| 18      | 730027007 | NEEDLE PLATE                  |
| 19      | 681009101 | FLAT SCREW                    |
| 20      | 730107002 | GEAR BOX UPPER COVER          |
| 21      | 000101404 | SCREW 4X6                     |
| 22      | 000036201 | WASHER                        |

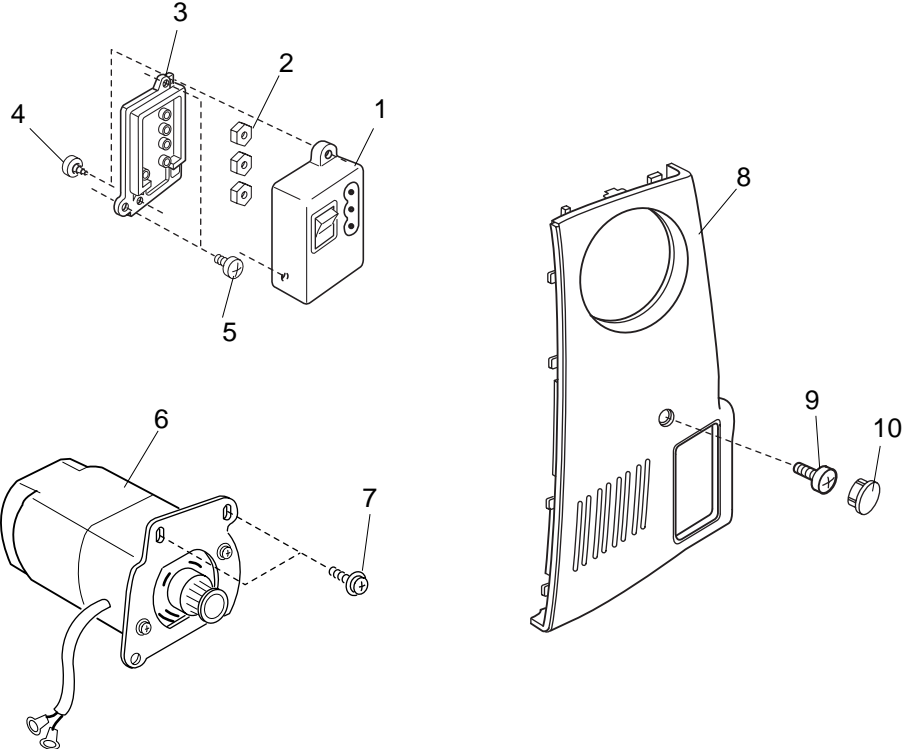
# PARTS LIST



# PARTS LIST

| KEY NO. | PART NO.  | DESCRIPTION                     |
|---------|-----------|---------------------------------|
| 1       | 730611004 | FEED ROCK SHAFT UNIT            |
| 2       | 730057006 | FEED ROCK SHAFT                 |
| 3       | 647066007 | FEED DOG BASE                   |
| 4       | 647134007 | FEED DOG BASE SHAFT             |
| 5       | 648019008 | FEED DOG BASE SLIDING PLATE     |
| 6       | 102021202 | SETSCREW                        |
| 7       | 000002507 | SNAP RING E-4                   |
| 8       | 000111108 | HEXAGON SOCKET SCREW 4X6        |
| 9       | 730184003 | FEED DOG                        |
| 10      | 730183002 | SETSCREW                        |
| 11      | 672042005 | FEED DOG BASE SPRING            |
| 12      | 647612015 | FEED ROCK SHAFT CRANK UNIT      |
| 13      | 647064005 | FEED ROCK SHAFT CRANK           |
| 14      | 102151006 | SETSCREW                        |
| 15      | 102205006 | SETSCREW                        |
| 16      | 738055008 | STRAIGHT PIN                    |
| 17      | 303033000 | FEED LIFTING ARM SHAFT HOLDER   |
| 18      | 000111304 | HEXAGONAL SOCKET SCREW 5X5      |
| 19      | 647607006 | FORK ROD UNIT                   |
| 20      | 102141003 | FEED REGULATOR SLIDE BLOCK      |
| 21      | 673103008 | FEED ROCK SHAFT CONNECTING PIN  |
| 22      | 000002806 | SNAP RING E-6                   |
| 23      | 303612009 | FEED LIFTING ARM UNIT           |
| 24      | 738028002 | FEED LIFTING ARM                |
| 25      | 730058007 | FEED LIFTING ARM SPRING         |
| 26      | 303069005 | DROP FEED SELECTING PLATE       |
| 27      | 730061003 | DROP FEED SELECTING SPRING      |
| 28      | 730062004 | SLIDING PLATE                   |
| 29      | 365032001 | FLAT SCREW                      |
| 30      | 730063016 | FEED LIFTING CRANK ROLLER SHAFT |
| 31      | 000101703 | SCREW 4X12                      |
| 32      | 000101404 | SCREW 4X6                       |

# PARTS LIST





# PARTS LIST

---

## KEY PARTS

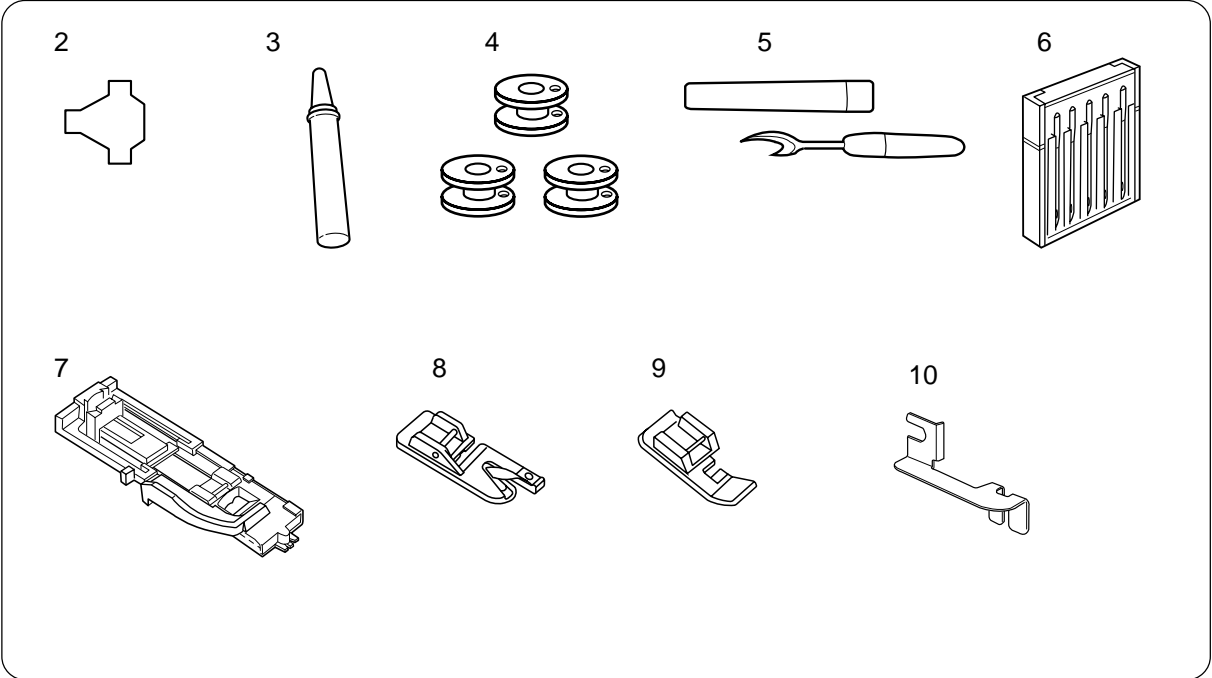
| NO. | NO. | DESCRIPTION |
|-----|-----|-------------|
|-----|-----|-------------|

---

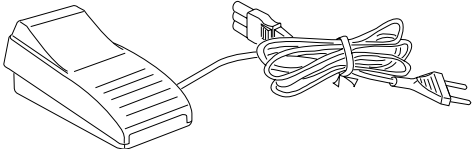
|    |           |  |
|----|-----------|--|
| 1  | 739503308 | MACHINE SOCKET UNIT (AUSTRALIA, U.K. & CONTINENTAL EUROPE) |
|    | 739505403 | MACHINE SOCKET UNIT (U.S.A. & CANADA)                      |
| 2  | 000060802 | NUT  |
| 3  | 739037007 | MACHINE SOCKET COVER                                       |
| 4  | 000107802 | TAPPING SCREW 3X10B  |
| 5  | 000103509 | SETSCREW 4X10  |
| 6  | 303615002 | MOTOR UNIT (AUSTRALIA & U.K.)                              |
|    | 303616003 | MOTOR UNIT (U.S.A. & CANADA)                               |
|    | 303615105 | MOTOR UNIT (CONTINENTAL EUROPE)                            |
| 7  | 000115504 | TP SCREW 5X10  |
| 8  | 303059002 | BELT COVER   |
| 9  | 000106801 | SETSCREW 4X35  |
| 10 | 653006101 | CAP  |

# PARTS LIST

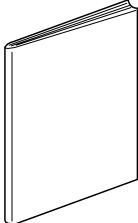
1



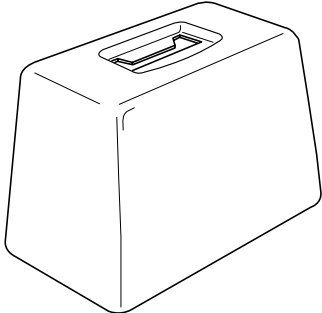
11



12



13



# PARTS LIST

| KEY NO. | PARTS NO. | DESCRIPTION                                    |
|---------|-----------|--|
| 1       | 303870018 | ACCESSORY SET                                  |
| 2       | 653802002 | SCREW DRIVER                                   |
| 3       | 741814003 | OIL  |
| 4       | 102261000 | BOBBIN   |
| 5       | 647808009 | SEAM RIPPER/BUTTONHOLE OPENER                  |
| 6       | 540401026 | NEEDLE SET                                     |
| 7       | 740801004 | AUTOMATIC BUTTONHOLE FOOT                      |
| 8       | 743815000 | HEMMER FOOT                                    |
| 9       | 611406002 | ZIPPER FOOT                                    |
| 10      | 674401002 | HEM GUIDE                                      |
| 11      | 042870102 | FOOT CONTROL (AUSTRALIA)                       |
|         | 033870104 | FOOT CONTROL (U.S.A. & CANADA)                 |
|         | 042870401 | FOOT CONTROL (U.K.)                            |
|         | 042870308 | FOOT CONTROL (NETHERLANDS)                     |
| 12      | 303800051 | INSTRUCTION BOOK (ENGLISH)                     |
|         | 303800084 | INSTRUCTION BOOK (DUTCH, FRENCH & GERMAN)      |
|         | 303800095 | INSTRUCTION BOOK (NORWEGIAN, SWEDISH & DANISH) |
|         | 303800109 | INSTRUCTION BOOK (ITALIAN, FINNISH & SPANISH)  |
| 13      | 488701002 | COVER  |