

# **PARTS CATALOGUE FOR**

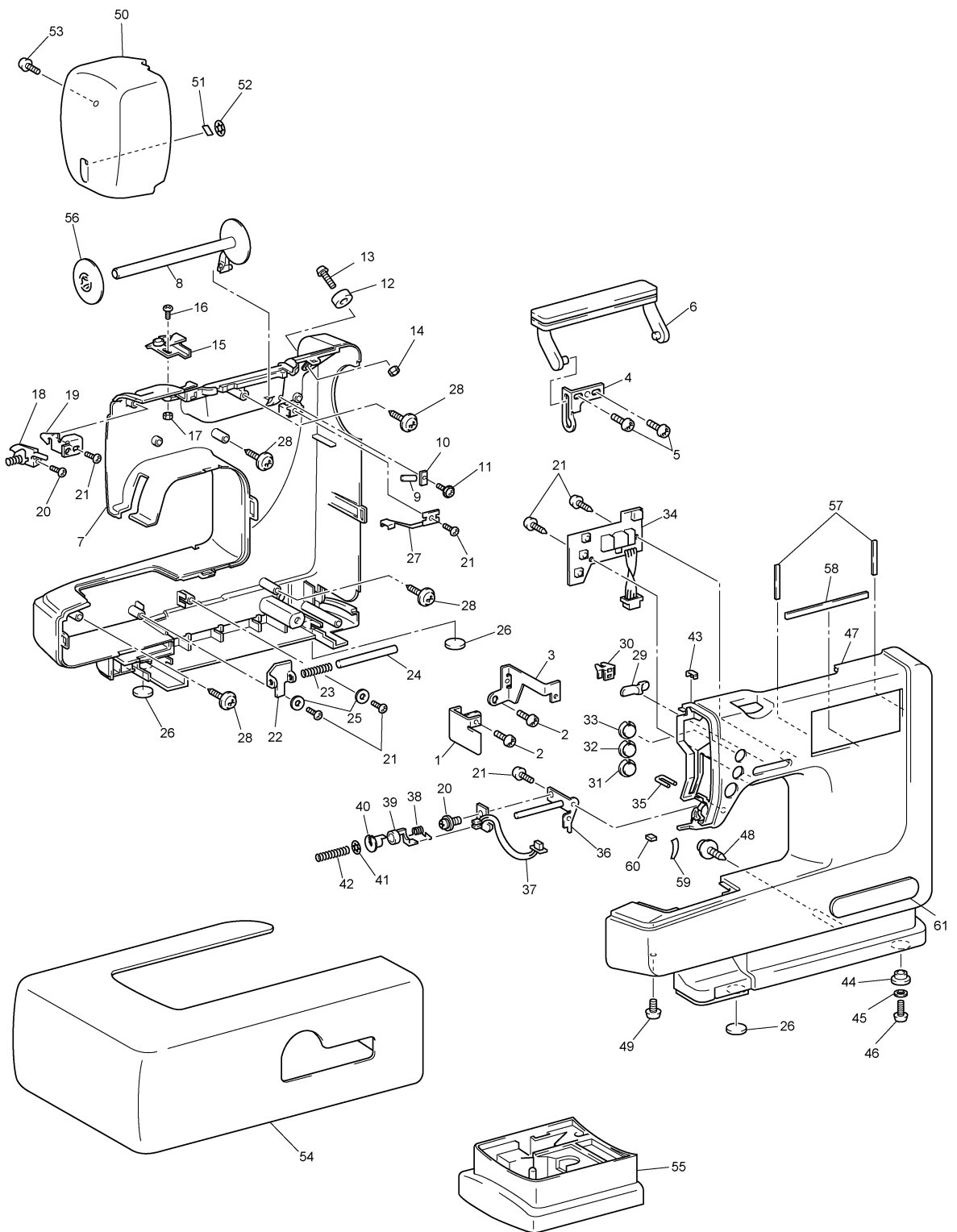
## **MODEL PE-400D**

# CONTENTS

(1) PRINCIPAL PARTS.....	2
(2) NEEDLE BAR, PRESSER BAR AND ZIGZAG.....	4
(3) UPPER SHAFT, THREAD TAKE-UP LEVER, VERTICAL SHAFT AND BOBBIN WINDER.....	6
(4) FEED MECHANISM AND ROTARY HOOK ASSY.....	8
(5) NEEDLE THREADER.....	10
(6) LAMP, MAIN PC BOARD ASSY AND MOTOR UNIT.....	12
(7) EMBROIDERY UNIT.....	14
(8) OTHER PARTS.....	16

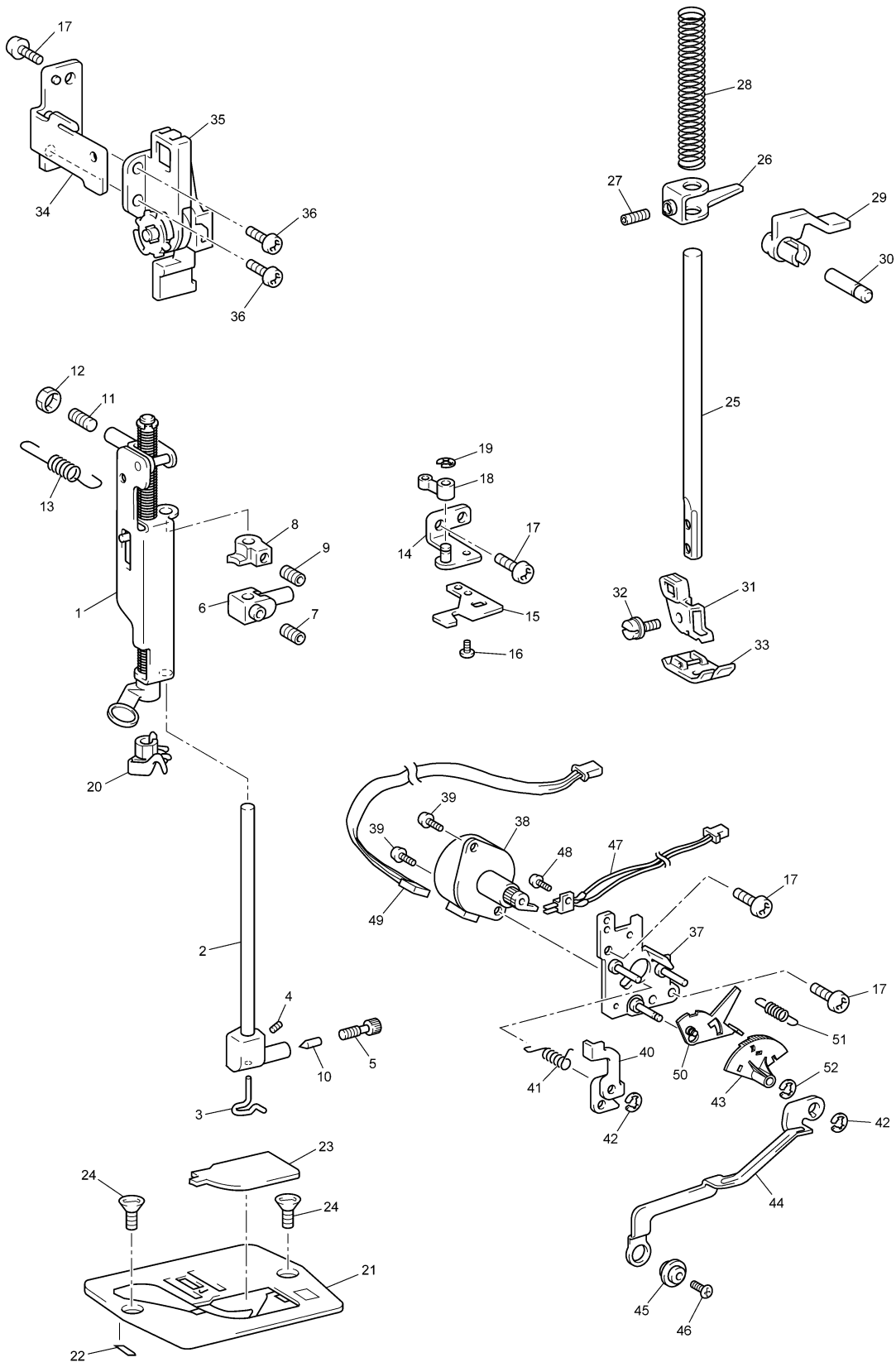
## (1) PRINCIPAL PARTS

No.	CODE	NAME	REMARKS	No.	CODE	NAME	REMARKS
1	XA5062051	Set plate A		45	026350235	Washer 3.5	
2	X57908051	Screw S4 × 10		46	083361216	Screw B3.5 × 10	
3	XA5063151	Set plate B		47	XA5082059	Front cover	
4	XA5541000	Handle guide		48	087411416	Screw B4 × 14	
5	060400616	Screw 4 × 6		49	060400816	Screw 4 × 8	
6	XA5542001	Handle assembly		50	XA6549051	Face plate assy	
7	XA5067053	Rear cover		51	X80321001	NT thread cutter assembly	
8	XA6692051	Spool stand bar		52	138384051	Retaining ring CS5	
9	XA5069051	Spool stand bar shaft		53	0A4400806	Screw 4 × 8 DA	
10	XA5762051	Presser plate		54	XA6551054	Arm cover assembly	
11	087300517	Screw 3 × 5		55	XA5105051	Accessory case	
12	X59864151	Bobbin presser		56	X55260152	Spool cap C	
13	052301606	Screw 3 × 16		57	XA6038051	Front cover spacer A	
14	021300106	Nut 3		58	XA6039051	Front cover spacer B	
15	XA5070151	Spool guide assembly		59	XA6040051	Spring tape	
16	0A4300806	Screw 3 × 8		60	XA5517050	Rubber	
17	021300106	Nut 3		61	XA5679001	Decoration plate	
18	XA5072101	Thread guide plate assembly					
19	XA5076001	Thread guide plate					
20	052300606	Screw 3 × 6					
21	136681051	Screw B3 × 8					
22	XA5077051	Slide lever					
23	XA5078051	Spring					
24	XA5079051	Slide lever shaft					
25	XA5525051	Washer					
26	130157051	Rubber cushion					
27	XZ0047051	Leaf spring					
28	087411415	Screw B4 × 14					
29	XA5083051	SV key top					
30	XA5084000	SV joint plate					
31	XA5092151	SS button					
32	XA5093051	Reverse sewing					
33	XA5094051	NP button					
34	XC0392051	Assy SSVR					
35	XA5085050	Thread guide wire					
36	XA5086201	Thread guide bar sub assy					
37	XC0394051	Assy UTHD					
38	XA5089151	Spring					
39	XA5090001	Thread cutting shutter					
40	XA5091001	Thread cutting shutter cover					
41	120454051	Retaining ring CS4					
42	XA5680050	Thread guard					
43	XA7890050	Front cover thread guard					
44	138337051	Rubber cushion A					



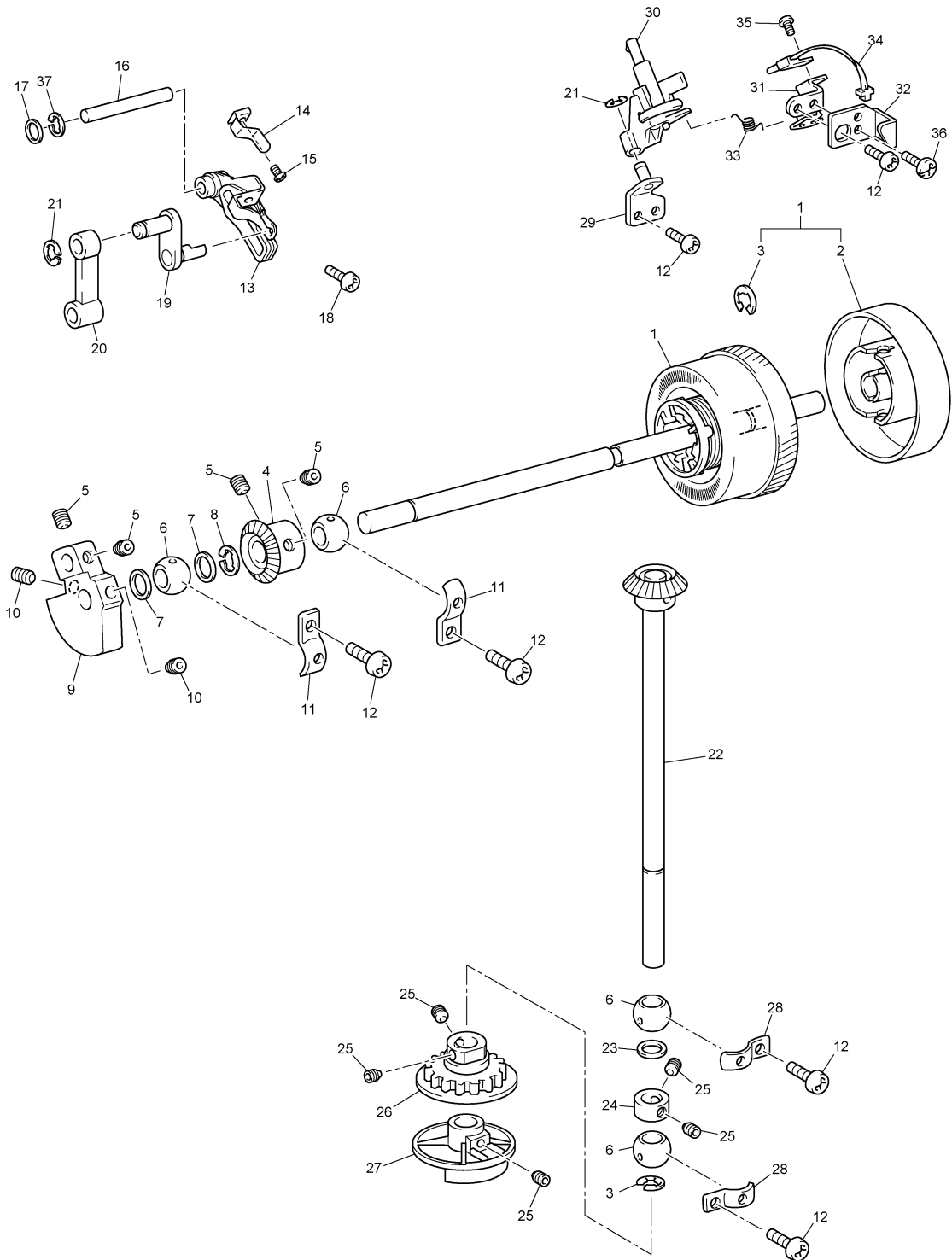
## (2) NEEDLE BAR, PRESSER BAR AND ZIGZAG

No.	CODE	NAME	REMARKS	No.	CODE	NAME	REMARKS
1	XA5116151	Thread guide assembly		45	XA5989000	Zigzag nut	
2	XA5129251	Needle bar assembly		46	062300806	Screw 3 × 8	
3	XA5132150	Needle bar thread guide		47	XA5216251	Assy, PF switch	
4	014300332	Screw 3 × 3		48	062260516	Screw 2.6 × 5	
5	XA5133251	Screw		49	XA5475051	Assy, Lead wire for Z pm	
6	XA5134051	Needle bar block assy		50	XA6019101	Z gear arm assembly	
7	014400432	Screw 4 × 4		51	XA6022051	Spring	
8	XA7670051	Positioning supporter		52	048020346	Stop ring E2	
9	012400432	Screw 4 × 4					
10	XA5779051	Pin					
11	014401232	Screw 4 × 12					
12	X56851051	Nut					
13	XA8540051	Spring					
14	XA5138151	H shaft holder sub assy					
15	XA5247051	Thread guide					
16	0A5300806	Screw 3 × 8 DB					
17	X57908051	Screw S4 × 10					
18	X51927050	Needle bar supporter arm					
19	048020346	Stop ring E2					
20	XA1854051	Threader hook assembly					
21	XC0413051	Needle plate assembly					
22	X80321001	NT thread cutter assembly					
23	X56828151	Needle plate cover					
24	X50487051	Screw M4					
25	XA5153051	Presser bar					
26	XA5154051	Presser bar bracket					
27	014401032	Screw M4 × 10					
28	XA5155051	Spring					
29	XA5156151	Presser foot lifter					
30	XA5157151	Stud for presser foot lifter					
31	XA8970051	Presser holder assembly					
32	132730151	Screw 3.57					
33	X51953051	Zigzag presser foot					
34	XA5166051	BH switch base plate					
35	XA5158051	BH switch assembly					
36	060300616	Screw 3 × 6					
37	XA5206151	ZPM holder sub assembly					
38	Z26551001	BP483523LM33ZPM					
39	060300416	Screw 3 × 4					
40	XA5212051	Release lever					
41	XA5213151	Spring					
42	048025346	Stop ring E2.5					
43	XA6018000	Z gear					
44	XA5215201	Zigzag connecting rod					



**(3) UPPER SHAFT, THREAD TAKE-UP LEVER, VERTICAL SHAFT AND BOBBIN WINDER**

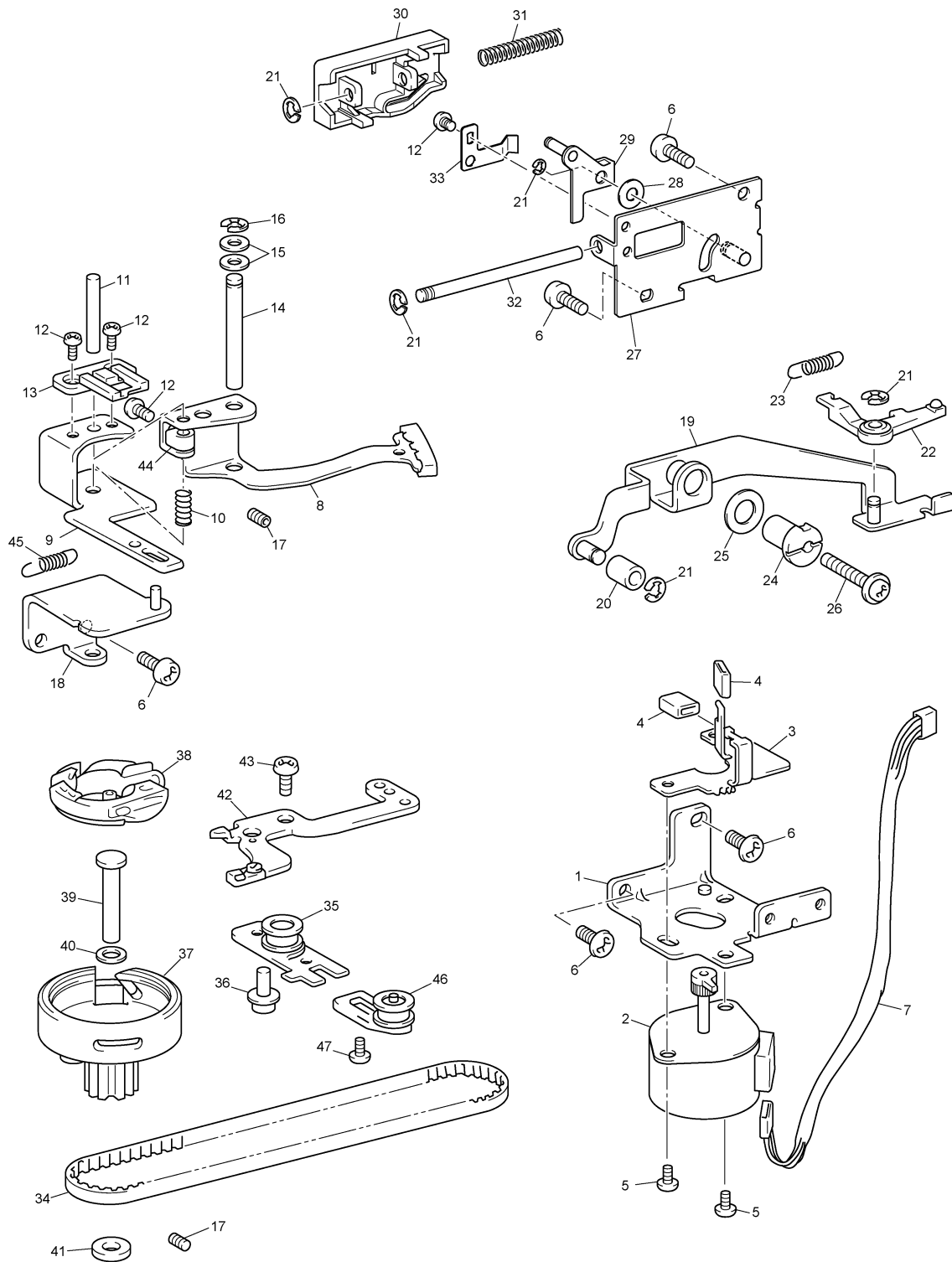
No.	CODE	NAME	REMARKS
1	X81086051	Upper shaft assembly	
2	XA5109151	Pulley	
3	048060346	Stop ring E6	
4	X55154050	Upper shaft gear	
5	014500532	Screw 5 × 5	
6	X52664050	Horizontal feed shaft bushing	
7	X51383051	Washer	
8	048060346	Stop ring E6	
9	XA5114050	Thread take-up counter weight	
10	012500532	Screw 5 × 5	
11	132421051	Bushing presser	
12	X57908051	Screw S4 × 10	
13	XA6110001	Thread take-up lever	
14	XA5703200	Thread presser plate	
15	XA1387051	Screw 2 × 3	
16	XA7624051	Take-up lever shaft	
17	048050346	Stop ring E5	
18	XA0649051	Screw S4 × 16	
19	X55193151	Needle bar crank assembly	
20	X55197050	Needle bar crank rod	
21	048040346	Stop ring E4	
22	XA4255151	Vertical shaft sub assy	
23	X51383051	Washer	
24	137768151	Set screw collar	
25	014400432	Screw 4 × 4	
26	XA5221001	Vertical shaft pulley	
27	XA5222051	Timing shutter	
28	132421051	Bushing presser	
29	XA5223051	Bobbin winder plate A assembly	
30	XA5225051	Bobbin winder pulley assembly	
31	XA5230151	Bobbin winder spring plate	
32	XA6037001	Set plate	
33	XA5231251	Bobbin winder spring	
34	XA5232151	Assy, BW switch	
35	062260516	Screw 2.6 × 5	
36	060400816	Screw 4 × 8	
37	XA1866051	Washer, spring	



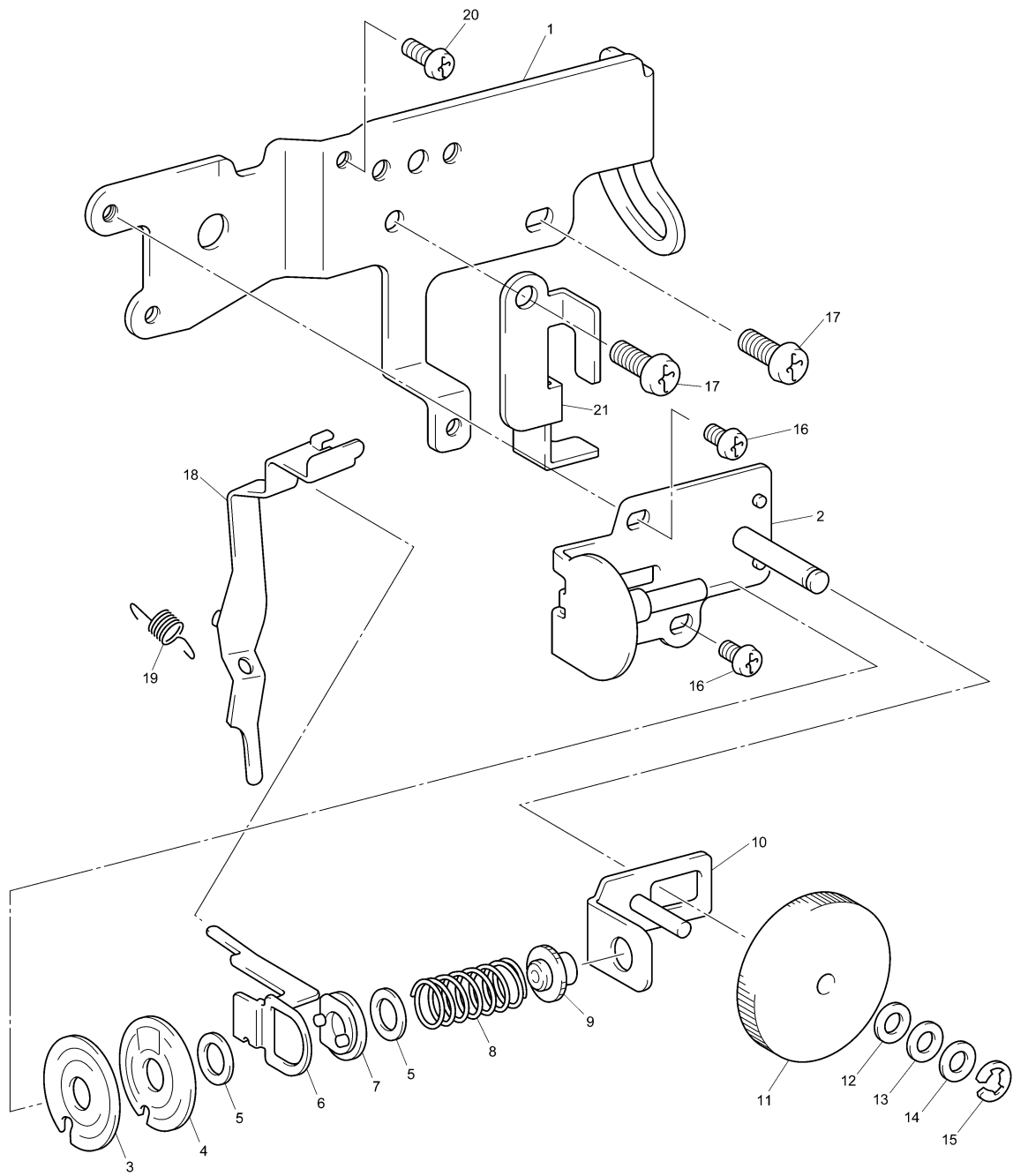


## (4) FEED MECHANISM AND ROTARY HOOK ASSY

No.	CODE	NAME	REMARKS	No.	CODE	NAME	REMARKS
1	XA5167250	FPM holder		45	XA6263051	Spring	
2	Z26555001	BP483523LM34FPM		46	XA6319051	Supporting pulley assembly	
3	XA5169251	Initial plate		47	060400616	Screw M4 × 6	
4	XA2189050	Initial rubber					
5	052300606	Screw 3 × 6					
6	X57908051	Screw S4 × 10					
7	XA5168051	Assy lead wire for F PM					
8	XA5171101	Feed gear					
9	XA5172051	Feed bar					
10	XA5173051	Spring					
11	XA5174151	Guide shaft					
12	060300416	Screw 3 × 4					
13	XA7270051	Feed dog					
14	XA5175051	Horizontal feed shaft					
15	X53027050	Washer					
16	048040346	Stop ring E4					
17	014400632	Screw 4 × 6					
18	XA5176051	Guide pin holder assembly					
19	XA8871051	Up-down feed arm assembly					
20	XA5184050	Bush					
21	048030346	Stop ring E3					
22	XA8873050	Drop lever					
23	XA5186051	Spring					
24	XA5187050	Collar					
25	131976051	Washer					
26	0A4403005	Screw 4 × 30 DA					
27	XA5189051	Drop holder sub assy					
28	X53027050	Washer					
29	XA5192051	Drop plate assembly					
30	XA5195051	Drop knob					
31	XA5196051	Spring					
32	XA5197051	Drop knob shaft					
33	XA5611001	Spring, plate					
34	X55323051	Timing belt 150 XL 015					
35	XA6305051	Belt tension pulley assembly					
36	XA8474051	Upset 4 × 12 DB					
37	XA5203151	Outer rotary hook assembly					
38	XA5619151	Inner rotary hook assembly					
39	XA0360051	Outer rotary hook shaft					
40	XA2190050	Washer U					
41	XA0361050	Washer					
42	XA5710301	Inner rotary hook bracket assembly					
43	060400816	Screw 4 × 8					
44	XA6105000	Bush					

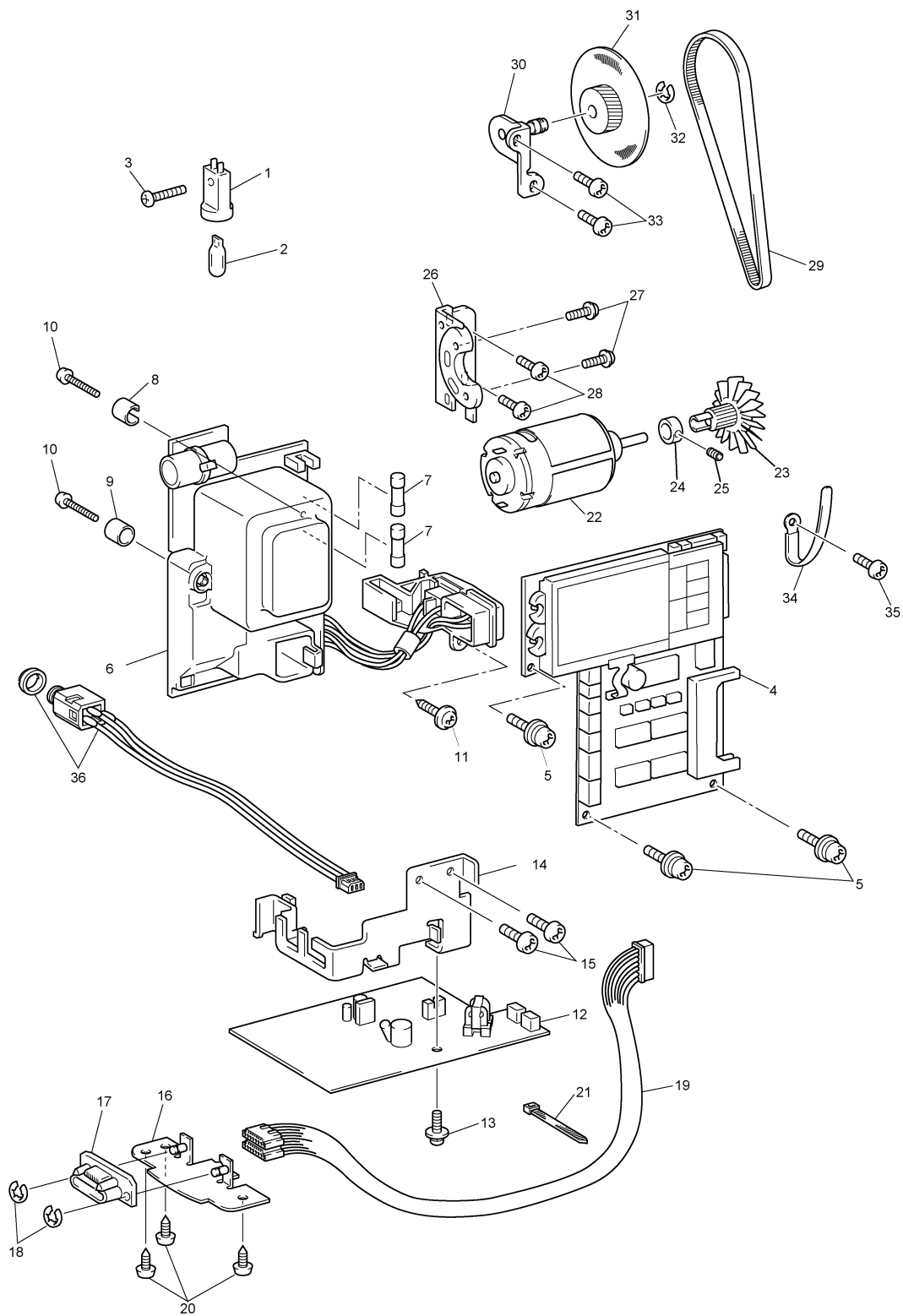






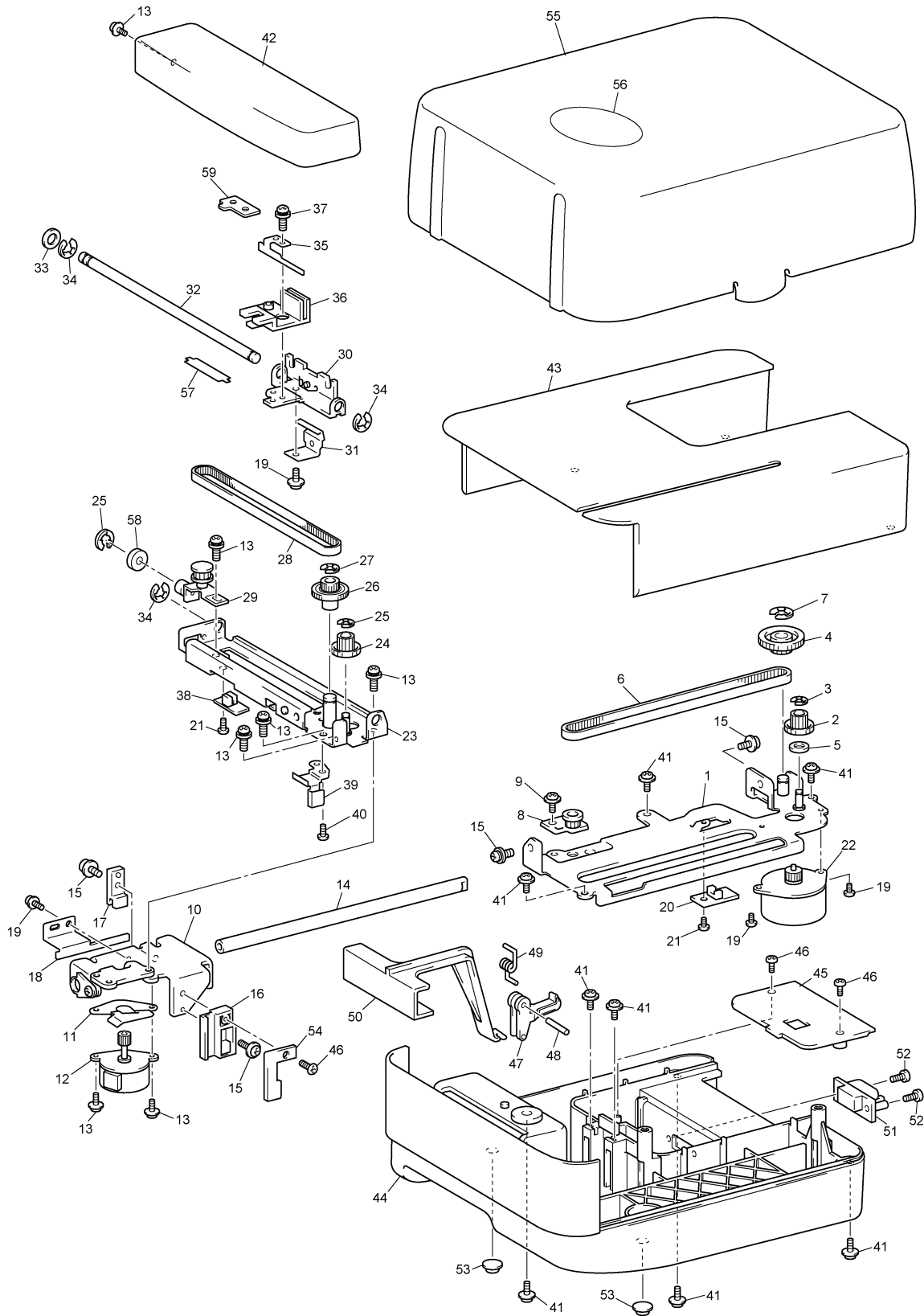
## (6) LAMP, MAIN PC BOARD ASSY AND MOTOR UNIT

No.	CODE	NAME	REMARKS
1	XA5248051	Assy WB lamp	
2	X50228051	WB lamp	
3	085301415	Screw P3 × 14	
4	X81379001	Main PC board assembly for 120V	
5	052300606	Screw 3 × 6	
6	X81138051	Power supply unit assembly for 120V	
7	XA4871051	G fuse 3.15AA for 120V	
8	XA5373051	Power unit cover B	
9	XA5374051	Power unit cover C	
10	052403006	Screw 4 × 30	
11	XA5278051	Screw P4 × 14	
12	XC0386051	NP board assembly #2	
13	0A5301006	Screw 3 × 10DB	
14	XA5284151	Set plate C	
15	060300516	Screw 3 × 5	
16	XA5289151	Connector holder assembly	
17	X56302001	Connector 176496	
18	048025346	Stop ring E2.5	
19	XA5267051	Assy, lead wire for XY PM	
20	136681051	Screw B3 × 8	
21	X53169050	Band #2	
22	XA6574001	Assy, main motor for 120V	
23	XA5295051	MM pulley 2GT14	
24	130676151	Set screw collar	
25	014400632	Screw 4 × 6	
26	XA5296151	Motor holder	
27	0A4301005	Screw 3 × 10 DA	
28	138172051	Screw 4 × 10 DA	
29	XA5297151	Timing belt 258-2GT for 120V	
30	XA5298051	Pulley holder assembly	
31	XA5301051	Idol pulley	
32	048050346	Stop ring E5	
33	060400816	Screw 4 × 10	
34	XA8318051	Lead clip for 120V	
35	X57908051	Screw S4 × 10 for 120V	
36	X81140001	Pin jack assembly	



## (7) EMBROIDERY UNIT

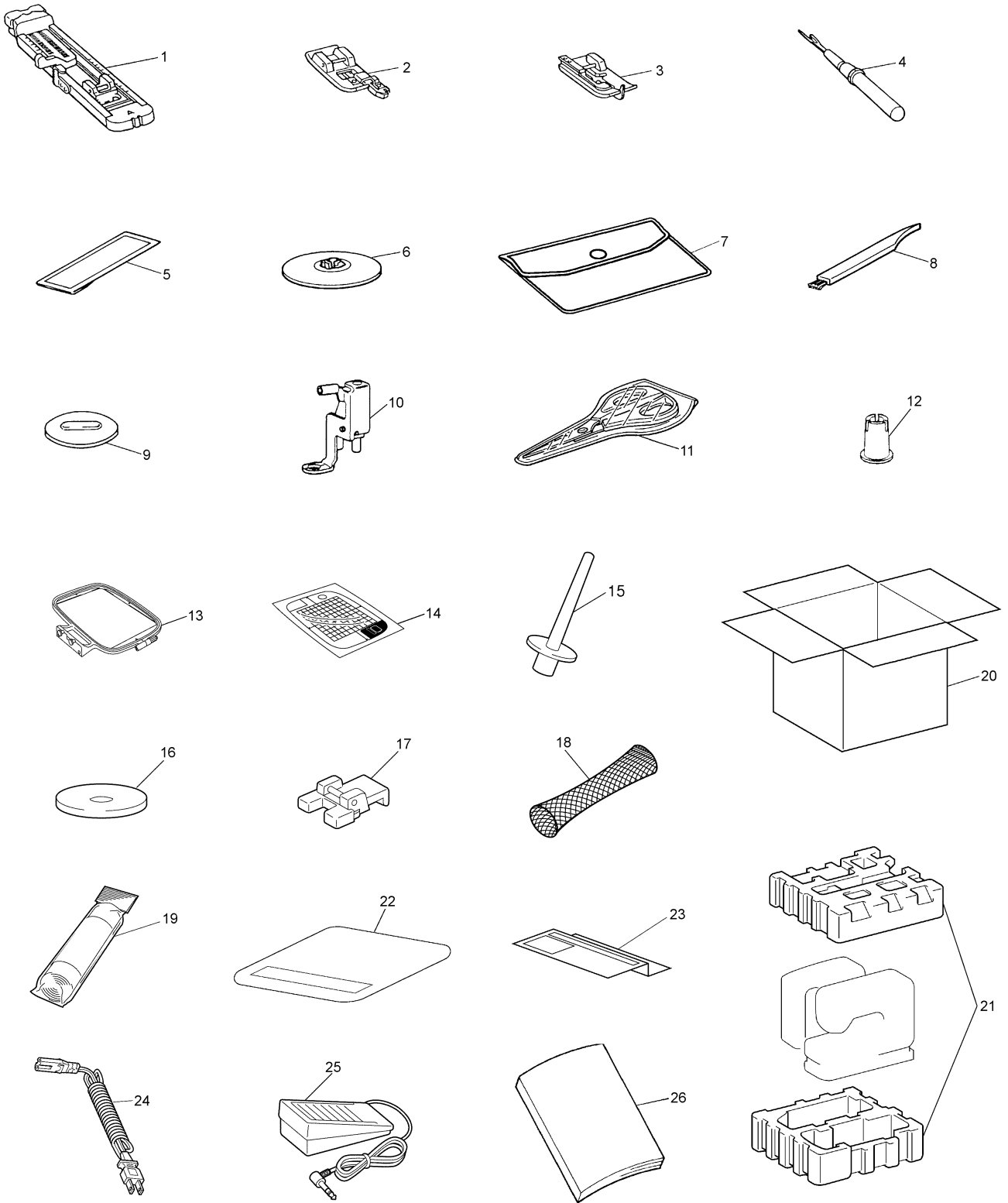
No.	CODE	NAME	REMARKS	No.	CODE	NAME	REMARKS
1	XA5302001	Main frame assembly		45	XA5348051	ES cover D spacer	
2	XA5306000	X gear		46	136681051	Screw B3 × 8	
3	048030346	Stop ring E3		47	XA5349050	Rock finger	
4	XA5307000	X driving gear		48	XA0814051	Pin G 4 × 20	
5	X53330000	Washer		49	XA2157051	Spring	
6	X58715051	Timing belt 40S2M400		50	XA5350051	Rock finger button	
7	048060346	Stop ring E6		51	X56302001	Connector 176496	
8	XA5308051	X tension pulley assembly		52	085411415	Screw B4 × 14	
9	XA6907051	Screw 4 × 8		53	X59853050	Rubber cushion	
10	XA5312051	X carriage supporter assembly		54	XA5352000	Cord presser	
11	XA5314050	Cord guide		55	XA6560054	ES unit cover assembly	
12	XA5315051	Y pulse motor		56	XA5685001	ES cover sheet	
13	052300606	Screw 3 × 6		57	XA6281000	Y presser plate	
14	XA5316051	X guide shaft		58	XA6152051	Roller assembly	
15	0A44400806	Screw 4 × 8		59	XA6334000	Shutter presser plate	
16	XA5317150	X slider					
17	XA5318100	X belt presser					
18	XA5319100	X shutter					
19	0A4300506	Screw 3 × 5 DA					
20	XC0417051	Assy, X initial sensor					
21	000020415	Screw M2 × 4					
22	XA5323051	X pulse motor					
23	XA5324101	X carriage assembly					
24	XA5328000	Y gear					
25	048020346	Stop ring E2					
26	XA5329000	Y driving gear pulley					
27	048060346	Stop ring E6					
28	XA5330051	Timing belt 40S2M316					
29	XA6151051	Y tension pulley assembly					
30	XA5338001	Y carriage					
31	XA5339101	Notched spring					
32	XA5340151	Y guide shaft					
33	103810052	Spring					
34	048040346	Stop ring E4					
35	XA5341000	Y shutter					
36	XA5342100	Y slider					
37	XA8390051	Screw 3 × 7					
38	XC0419051	Assy, Y initial sensor					
39	XA5346050	Cord holder					
40	060300416	Screw 3 × 4					
41	087411416	Screw B4 × 14					
42	XC2133051	Carriage cover					
43	XA5285053	ES cover U					
44	XA6024051	ES cover D assy					





**(8) OTHER PARTS**

<b>No.</b>	<b>CODE</b>	<b>NAME</b>	<b>REMARKS</b>
1	X57789101	Button hole foot	
2	X51162001	Overcasting stitch-foot	
3	X56409001	Blind stitch foot	
4	X54243001	Seam ripper	
5	XA6627051	Needle set	
6	130012053	Spool cap A	
7	XA1363051	Accessory bag	
8	X59476051	Cleaning brush	
9	XA2005051	Needle plate fixing metal	
10	XA5357001	Embroidery foot assembly	
11	184783001	Scissors	
12	XA5752001	Spool cap (small)	
13	XA5353101	Embroidery flame S2M	
14	XA5590151	Embroidery sheet S2S	
15	XA3336051	Spool pin	
16	X57045051	Felt	
17	X59375051	Button fitting foot	
18	XA5523050	Net	
19	XA1391001	Backing material	
20	X61252057	Carton for U.S.A., CANADA	
21	X61248051	Styrofoam	
22	X61188150	PE sheet	
23	XA6565051	Caution sheet	
24	XA2815051	Power supply cord for CSA	
25	XC1154051	FC-309-81 controller	
26	194147011	Instruction manual (English)	
	194147015	Instruction manual (French)	
	194147060	Instruction manual (Disney)	



PE-400D  
07E02HF882211