

**PARTS CATALOGUE FOR
COMPUTERIZED SEWING MACHINE
EMBROIDERY MACHINE**

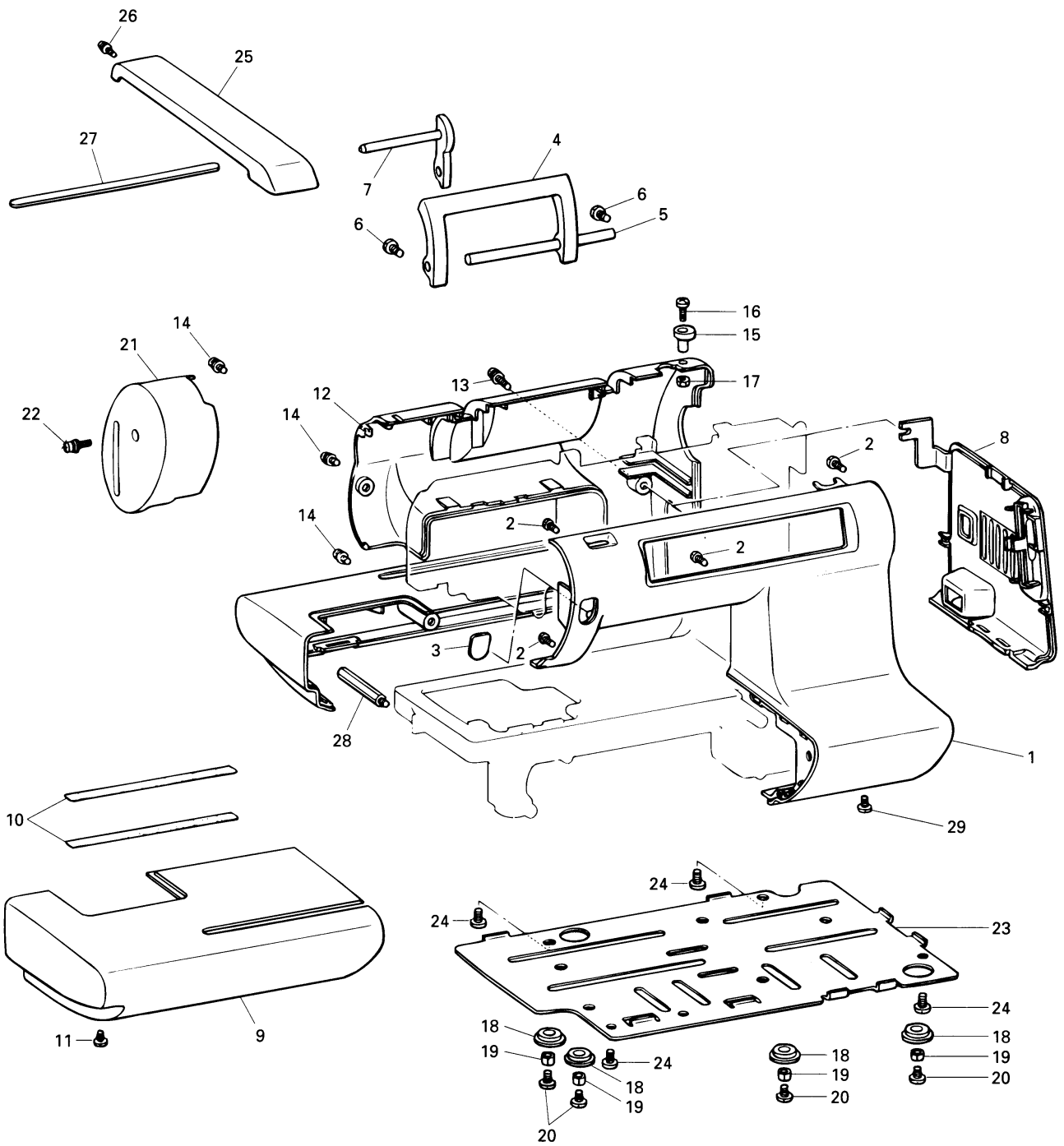
PE-200(ZZ4-B216)

CONTENTS

(1) PRINCIPAL PARTS AND DISPLAY	2
(2) NEEDLE BAR AND PRESSER BAR.....	4
(3) BALANCE, ROTARY HOOK AND UPPER SHAFT ..	6
(4) VERTICAL SHAFT, BOBBIN WINDER AND THREADING MECHANISM	8
(5) LAMP, ELECTRONIC PARTS, MOTOR AND POWER SUPPLY	10
(6) EMBROIDERY MECHANISM	12
(7) ACCESSORIES, PACKAGES	14

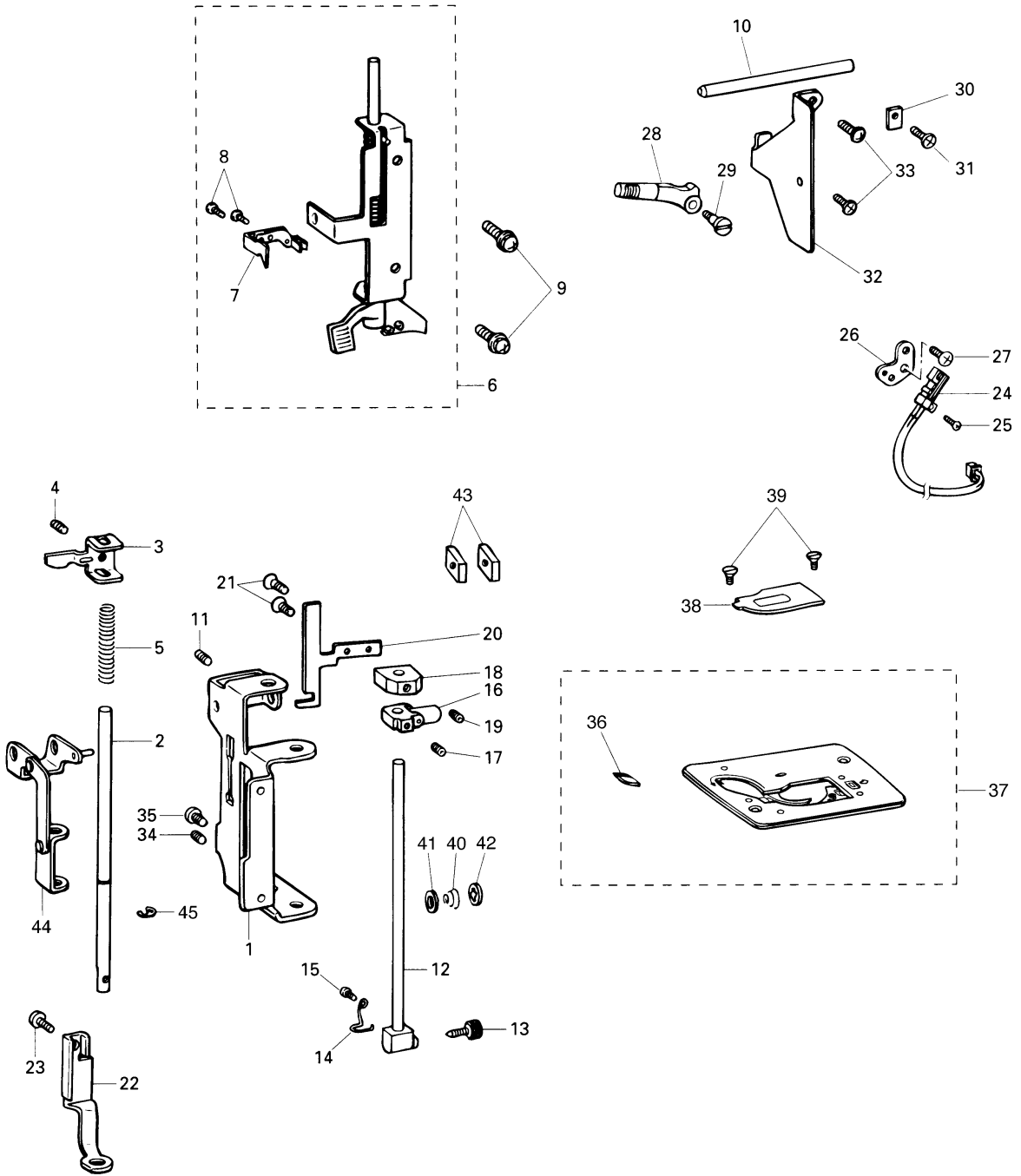
(1) PRINCIPAL PARTS AND DISPLAY

No.	CODE	NAME	REMARKS
1	XA3613001	Front cover (PE-200)	
2	138444001	Screw 4 × 14	
3	X58645004	SS button (Arrow)	
4	X58643051	Carrying handle	
5	X58644051	Carrying handle shaft	
6	052401406	Screw 4 × 14	
7	X58708001	Spool stand bar	
8	X59537001	Belt cover	
9	X58648101	Main cover	
10	X58649001	Groove cover	
11	085300815	Screw 3 × 8	
12	X59801102	Rear cover (with logo)	
13	052401406	Screw 4 × 14	
14	052400806	Screw 4 × 8	
15	121846001	Bobbin presser	
16	062301616	Screw M3 × 16	
17	021300106	Nut 3	
18	X55942100	Rubber cushion	
19	X56474001	Spacer	
20	X57908051	Screw 4 × 10	
21	X58653001	Face plate	
22	052400806	Screw 4 × 8	
23	X58655001	Base cover	
24	X57908051	Screw 4 × 10	
25	X58657102	X carriage cover	
26	052300606	Screw 3 × 6	
27	X58765001	Slider plate	
28	X59368051	Stud bolt	
29	085300815	Screw 3 × 8	



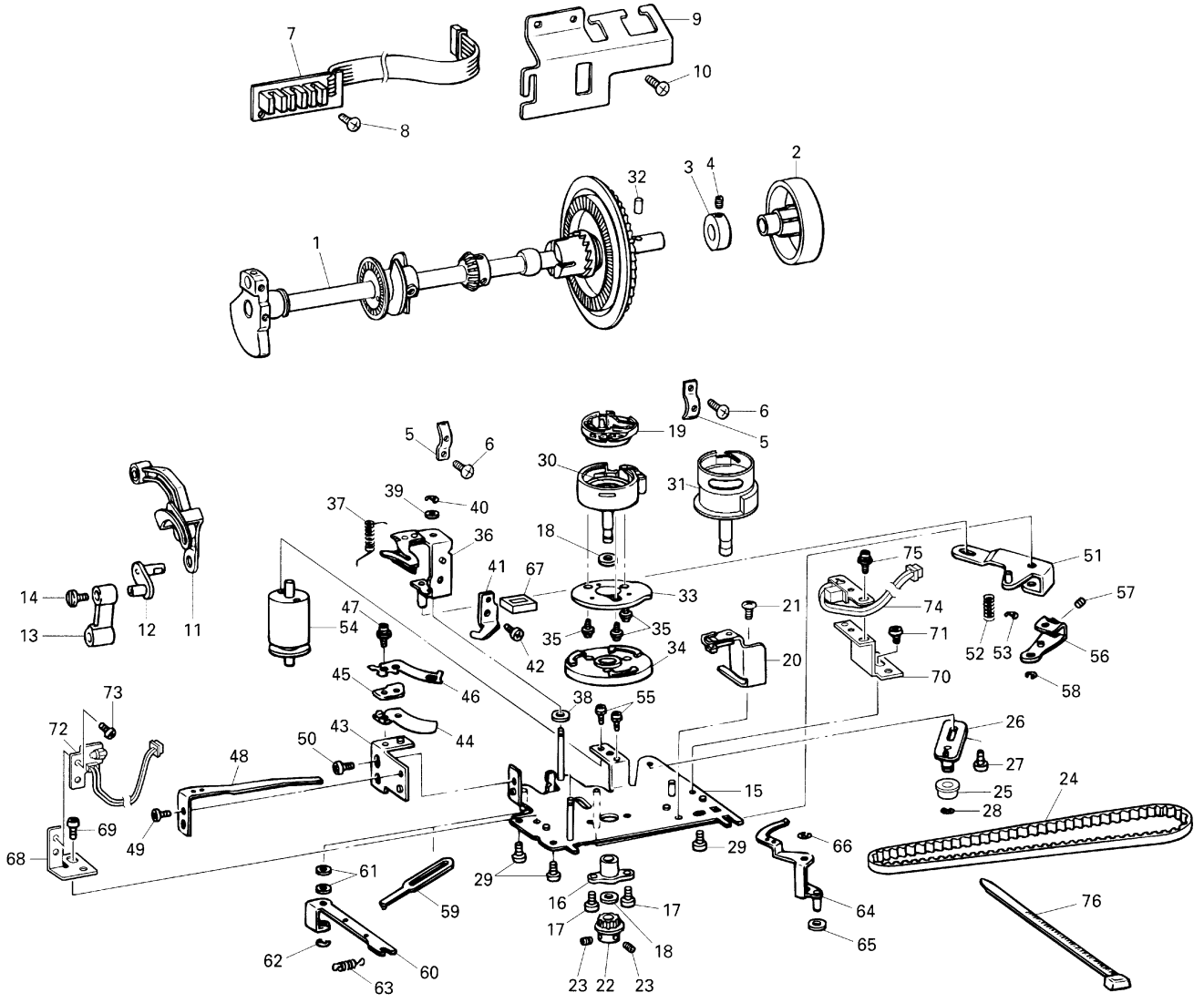
(2) NEEDLE BAR AND PRESSER BAR

No.	CODE	NAME	REMARKS	No.	CODE	NAME	REMARKS
1	XA0415001	Presser unit holder		44	XA3627051	Presser link assembly	
2	XA3623051	Presser bar		45	048040346	Stop ring E4	
3	XA3626051	Presser bar bracket					
4	014400632	Screw 4 × 6					
5	XA3624001	Presser bar spring					
6	XA0419001	Thread guide assembly					
7	XA0445151	THREADER HOOK ASSY	CHG				
8	037200416	Screw 2 × 4					
9	052300606	Screw 3 × 6					
10	X58772151	Thread take-up lever stud					
11	014400632	Screw 4 × 6					
12	X55185001	Needle bar assembly					
13	XA4052001	Needle clamp screw					
14	X55187100	Needle bar thread guide					
15	062020416	Screw 2 × 4					
16	XA0425001	Needle bar block assembly					
17	014400432	Screw 4 × 4					
18	XA0429000	Positioning supporter					
19	012400432	Screw 4 × 4					
20	XA0430051	Needle threader position setter					
21	004260405	Screw 26 × 4					
22	XA3625001	Embroidery presser					
23	060400616	Screw 4 × 6					
24	X59478001	Presser switch assembly					
25	062260516	Screw 2.6 × 5					
26	X58676051	Presser switch holder					
27	X57908051	Screw 4 × 10					
28	X58677051	Presser foot lever					
29	X55168001	Stud screw M4					
30	X50532001	Shaft presser plate					
31	X57908051	Screw 4 × 10					
32	XA0431051	Face plate base plate					
33	X57908051	Screw 4 × 10					
34	012400632	Screw 4 × 6					
35	052301606	SCREW PAN(S/P WASHER) M3 x 16	CHG				
36	X80321001	Lower thread cutter					
37	XA3633001	Needle plate assembly					
38	X56828151	Needle plate cover					
39	X50487001	Screw M4					
40	X57822101	Needle bar presser spring					
41	X58511100	Washer					
42	109763003	Washer					
43	XA1298000	Spacer					



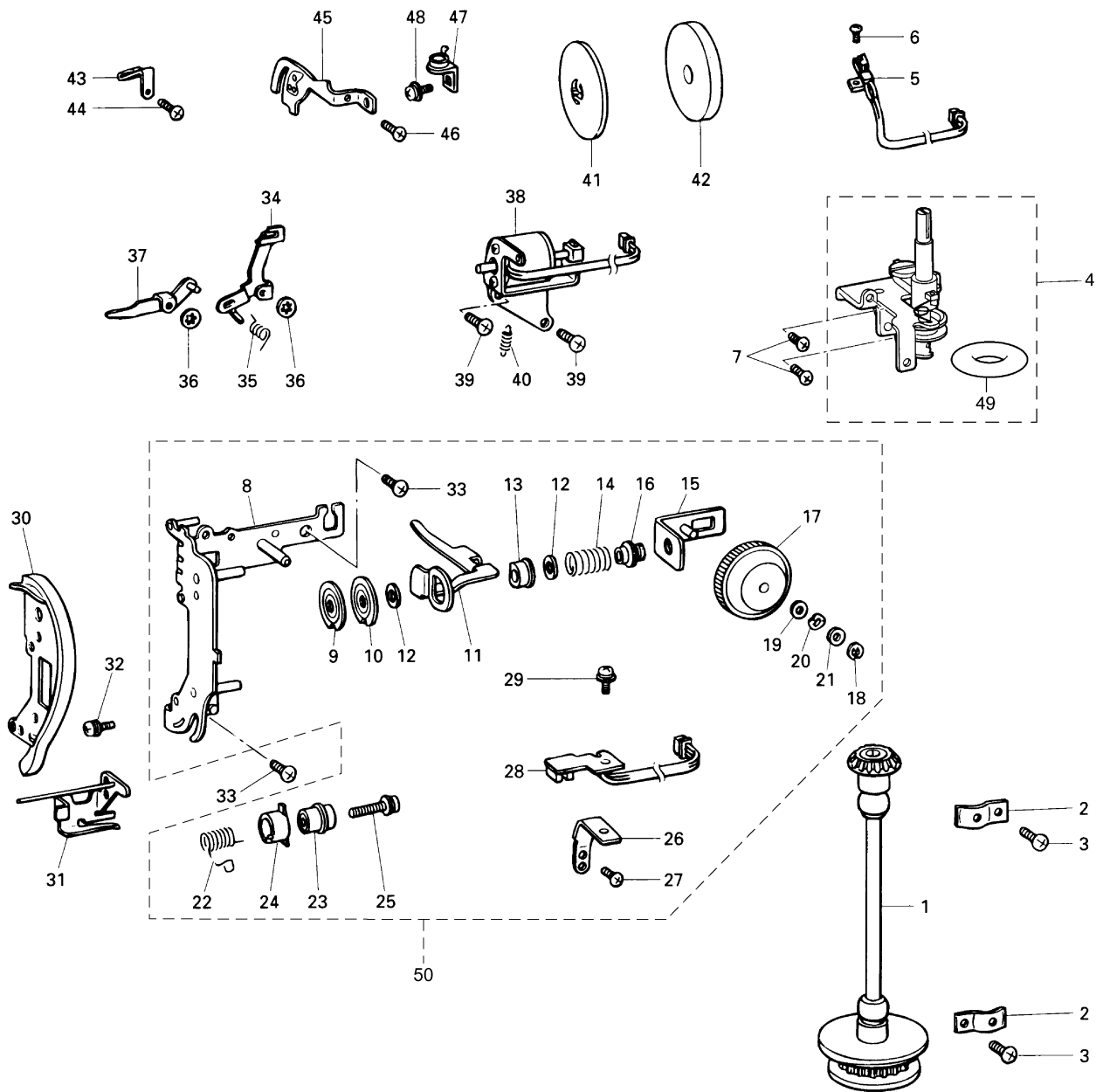
(3) BALANCE, ROTARY HOOK AND UPPER SHAFT

No.	CODE	NAME	REMARKS	No.	CODE	NAME	REMARKS
1	XA3719101	Upper shaft assembly		37	XA3658001	Spring	
2	X55147001	Hand wheel		38	026050235	Washer	
3	130096151	Collar		39	137713000	Washer	
4	014400632	Screw 4 × 6		40	048040346	Stop ring E4	
5	132421001	Lower shaft bushing presser		41	XA4055050	Thread cutter Assist Plate	
6	060401216	Screw 4 × 12		42	060300416	Screw 3 × 4	
7	XC0299151	PCB ASSY : NP 214	CHG	43	XA3660050	Fixed blade holder	
8	060400816	Screw 4 × 8		44	XA3661100	Inner rotary hook holder	
9	X58763051	Shutter cover		45	XA3662050	Fixed blade spacer	
10	X57908051	Screw 4 × 10		46	XA3663001	Fixed blade	
11	X58776151	Thread take-up assembly		47	052300606	Screw 3 × 6	
12	X59571051	Needle bar crank		48	XA3664001	Lower thread guide plate assembly	
13	X55197050	Needle bar crank rod		49	060300616	Screw 3 × 6	
14	X59572051	Screw 3.57		50	060400616	Screw 4 × 6	
15	XA3637101	Rotary hook shaft frame assembly		51	XA3667101	Thread cutting lever assembly	
16	XA3644000	Shaft supporter (Plastic outer rotary hook)		52	XA3670001	Spring	
	XA6698000	Shaft supporter (Steel outer rotary hook)		53	048040346	Stop ring E4	
17	060300616	Screw 3 × 6		38	X58703001	SOLENOID:19LC-12V	CHG
18	137805001	Spacer		55	X59522001	Screw 2.6 × 4	
19	XA5651001	Inner rotary hook assembly		56	XA3672051	Solenoid lever	
20	X59803001	Inner rotary hook bracket assembly		57	014300532	Screw 3 × 5	
21	060400616	Screw M4 × 6		58	048040346	Stop ring E4	
22	138417000	Rotary hook shaft pulley		59	X56123051	Bobbin presser lever assembly	
23	014400632	Screw 4 × 6		60	XA3673050	Bobbin presser rod	
24	X58784001	Timing belt 200 XL015		61	025050135	Washer	
25	X50079000	Belt tension pulley		62	048040346	Stop ring E4	
26	XA3645051	Pulley plate assembly		63	XA3674001	Spring	
27	052300606	Screw 3 × 6		64	XA3675101	Bobbin presser assembly	
28	048060346	Stop ring E6		65	026040236	Washer	
29	X57908051	Screw 4 × 10		66	048030346	Stop ring E3	
30	X59310001	Outer rotary hook washer (Plastic outer rotary hook)		67	XA2189050	Rubber	
31	XA0479001	Outer rotary hook assembly (Plastic type)		68	XA4046051	Photo diode board holder	
	XA6699001	Outer rotary hook assembly (Steel type)		69	060400616	Screw 4 × 6	
32	X51920001	Needle roller bearing		70	XA4047051	Photo transistor board holder	
33	XA3648000	Cam A (Plastic outer rotary hook)		71	060400616	Screw 4 × 6	
34	XA3649000	Cam B (Plastic outer rotary hook)		72	XC0142151	PHOTO DIODE ASSY	CHG
35	U52594001	Screw 2.6 × 8 (Plastic outer rotary hook)		73	060300616	Screw 3 × 6	
36	XA3650001	Thread cutting arm assy		74	XA4050151	PHOTO TRANSISTOR ASSY	CHG
				75	052300606	Screw 3 × 6	
				76	124240001	Bind	



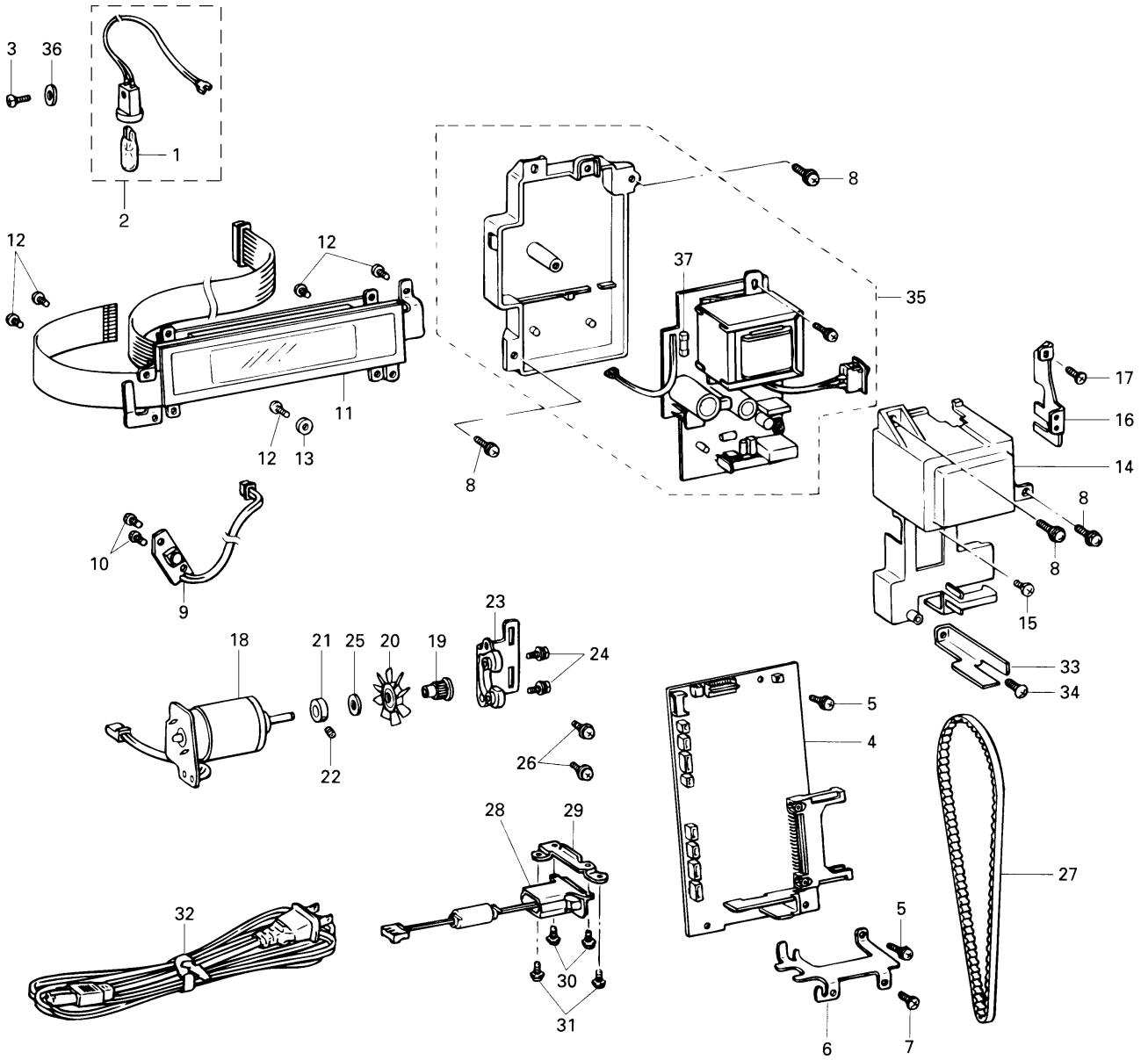
(4) VERTICAL SHAFT, BOBBIN WINDER AND THREADING MECHANISM

No.	CODE	NAME	REMARKS	No.	CODE	NAME	REMARKS
1	X58785001	Vertical shaft assembly		45	X58706101	Thread guide plate B assembly	
2	132421001	Lower shaft bushing presser		46	085300815	Screw 3 × 8	
3	060401216	Screw 4 × 12		47	X53252051	Spool guide assembly	
4	X58787051	Bobbin winder assembly		48	052300606	Screw 3 × 6	
5	X56202001	Bobbin winder switch assembly		49	120448051	Rubber band	
6	062260516	Screw 2.6 × 5		50	X58680251	THREAD GUIDE ASSY	ADD
7	X57908051	Screw 4 × 10					
8	X58681151	Thread guide plate sub assembly					
9	XA0083051	THREAD TENSION DISC A	CHG				
10	XA0084051	THREAD TENSION DISC B	CHG				
11	X58686051	Thread tension release plate A	CHG				
12	XD0573051	WASHER	050053				
13	137881051	TENSION DISC WASHER	CHG				
14	X58687151	THREAD TENSION SPRING	CHG				
15	X58688051	Thread tension plate assembly					
16	137878051	Thread tension adjusting screw					
17	X55253053	Thread tension dial					
18	048030346	RETAINING RING, E3	CHG				
19	XZ0133050	WASHER	CHG				
20	137991051	SPRING WASHER	CHG				
21	025040133	Washer, PLAIN S 4	CHG				
22	X59432051	Thread take-up spring					
23	X53828051	Thread take-up spring case					
24	X58316001	THREAD CUTTING SHUTTER	CHG				
25	0A4402006	SCREW, PAN (S/P WASHER) M4 x 20	CHG				
26	X58691051	Thread breakage sensor holder					
27	060300616	SCREW, BIND M3 x 6	CHG				
28	XC0100151	PCB ASSY:THREAD SENSOR	CHG				
29	052300606	SCREW, PAN (S/P WASHER) M3 x 6	CHG				
30	X58694001	Thread guide cover					
31	X58804051	Arm thread guide assembly					
32	538773001	Screw 3 × 8 DA					
33	X57908051	Screw 4 × 10					
34	X58696151	Thread tension release plate B					
35	X58697151	Spring B					
36	120454001	Stop ring CS					
37	X58698051	Thread tension release plate C assembly					
38	X58701001	Solenoid holder assembly					
39	X57908051	Screw 4 × 10					
40	X58704051	Spring					
41	X55260002	Spool presser C					
42	X57045001	Felt					
43	X59416001	Thread guide plate A					
44	U22725001	Screw 2.6 × 8					



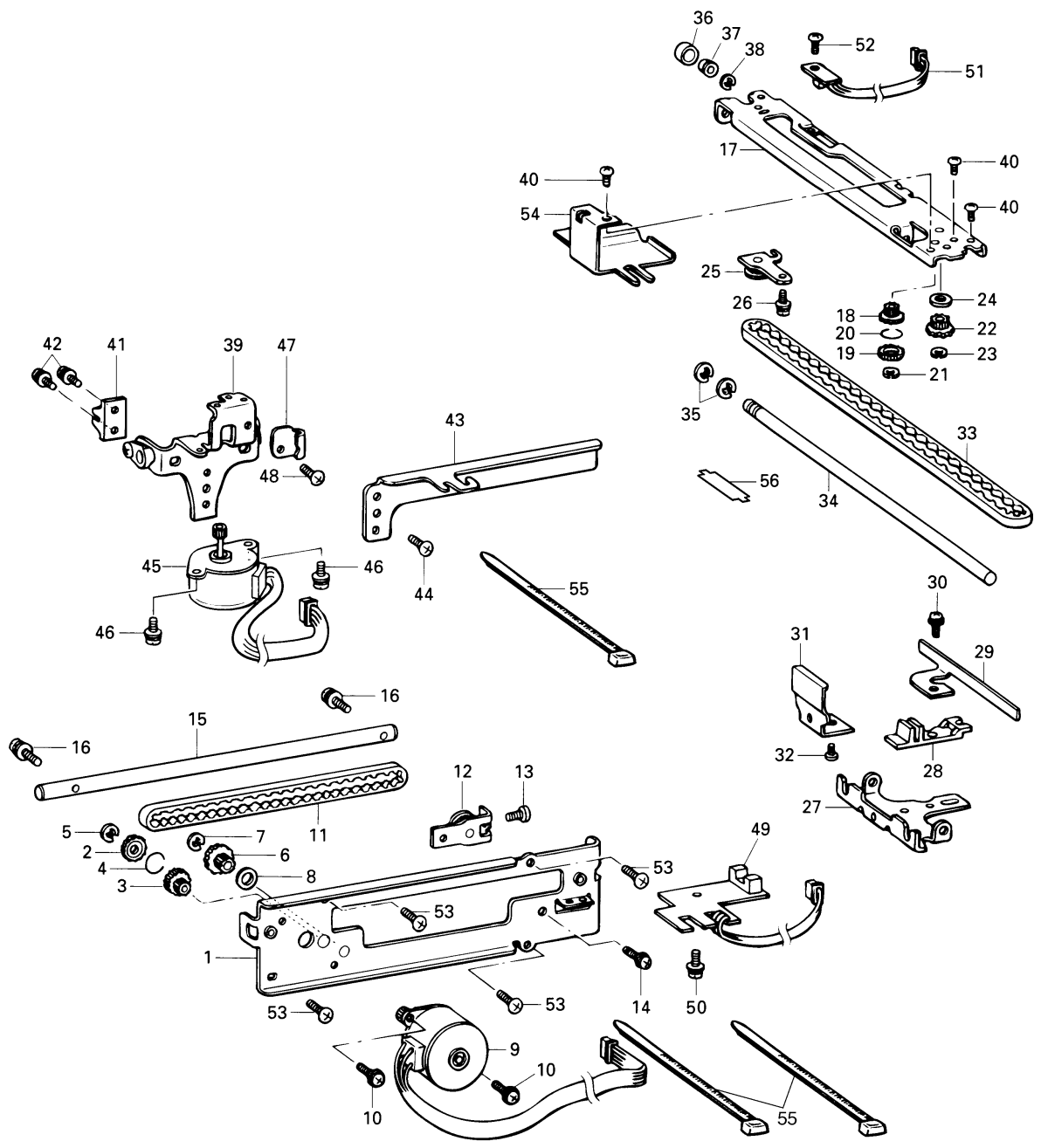
(5) LAMP ELECTRONIC PARTS, MOTOR AND POWER SUPPLY

No.	CODE	NAME	REMARKS	No.	CODE	NAME	REMARKS
1	X50228001	Sew-light bulb		28	XA4068001	Inlet assembly for 120V	
2	X58709001	Sew-light bulb assembly			X59545001	Inlet assembly for 220V to 240V	
3	085301415	Screw 3 × 14		29	X59577001	Inlet installing plate	
4	X80983051	MAIN PC BOARD ASSY FOR U.S.A., CANADA	040103	30	0A4300805	Screw 3 × 8	
	X80984051	MAIN PC BOARD ASSY FOR IRELAND, GERMANY, BELGIUM, U.K., FARNCE, NORWAY, NETHERLANDS, AUSTRIA, GREECE, SWEDEN, SPAIN, PORTUGAL, ITALY, FINLAND, SWITZERLAND, DENMARK, GIBRALTAR, ICELAND, MALTA, MONACO, AUSTRALIA, NEW ZEALAND and SOUTH AFRICA	040103	31	060400816	Screw 4 × 8	
	X80985051	MAIN PC BOARD ASSY FOR KOREA	040103	32	XC6052051	POWER SUPPLY CORD : UL CSA-LF	CHG
	X80986051	MAIN PC BOARD ASSY FOR other countries	040103		XA0070151	POWER SUPPLY CORD FOR EUROPE	CHG
			X59328151		POWER CORD FOR AUSTRALIA, NEW ZEALAND	CHG	
			X57079001		Power supply cord for UK		
5	052300606	Screw 3 × 6			XA1291051	Power supply cord for KOREA	
6	X58744051	Board installing plate			XA5820051	Power supply cord for China	
7	X57908051	Screw 4 × 10		33	XA0442001	Main motor cover for 220V to 240V	
8	052401205	Screw 4 × 12		34	138173001	Screw 4 × 10	
9	XC0098151	PCB ASSY : SS 214	CHG	35	X81047252	POWER SUPPLY UNIT ASSY FOR 120V	CHG
10	087310815	Screw 3 × 8			X81048152	POWER SUPPLY UNIT ASSY FOR 220V TO 240V	CHG
11	X58749007	LCD module assembly		36	025030336	Washer	
12	085300815	Screw 3 × 8		37	X55397001	G Fuse 3.15A for 120V	
13	X57005000	Insulating washer 3				X53477001	G Fuse 3.15A for 220V to 240V
14	XA0443001	Power supply unit cover					
15	138444001	Screw 4 × 14					
16	X59205001	Switch holder					
18	XA0462001	Motor unit for 120V					
	XA0468001	Motor unit for 220V to 240V					
19	X58759000	Motor pulley					
20	X58760000	Flange fan					
21	130676151	Collar					
22	014400632	Screw 4 × 6					
23	X58761051	Motor holder					
24	X50020001	Screw 3 × 10 DA					
25	X53838001	Washer					
26	138172001	Screw 4 × 10 DA					
27	X58762001	Driver belt B124 XXL4.8					



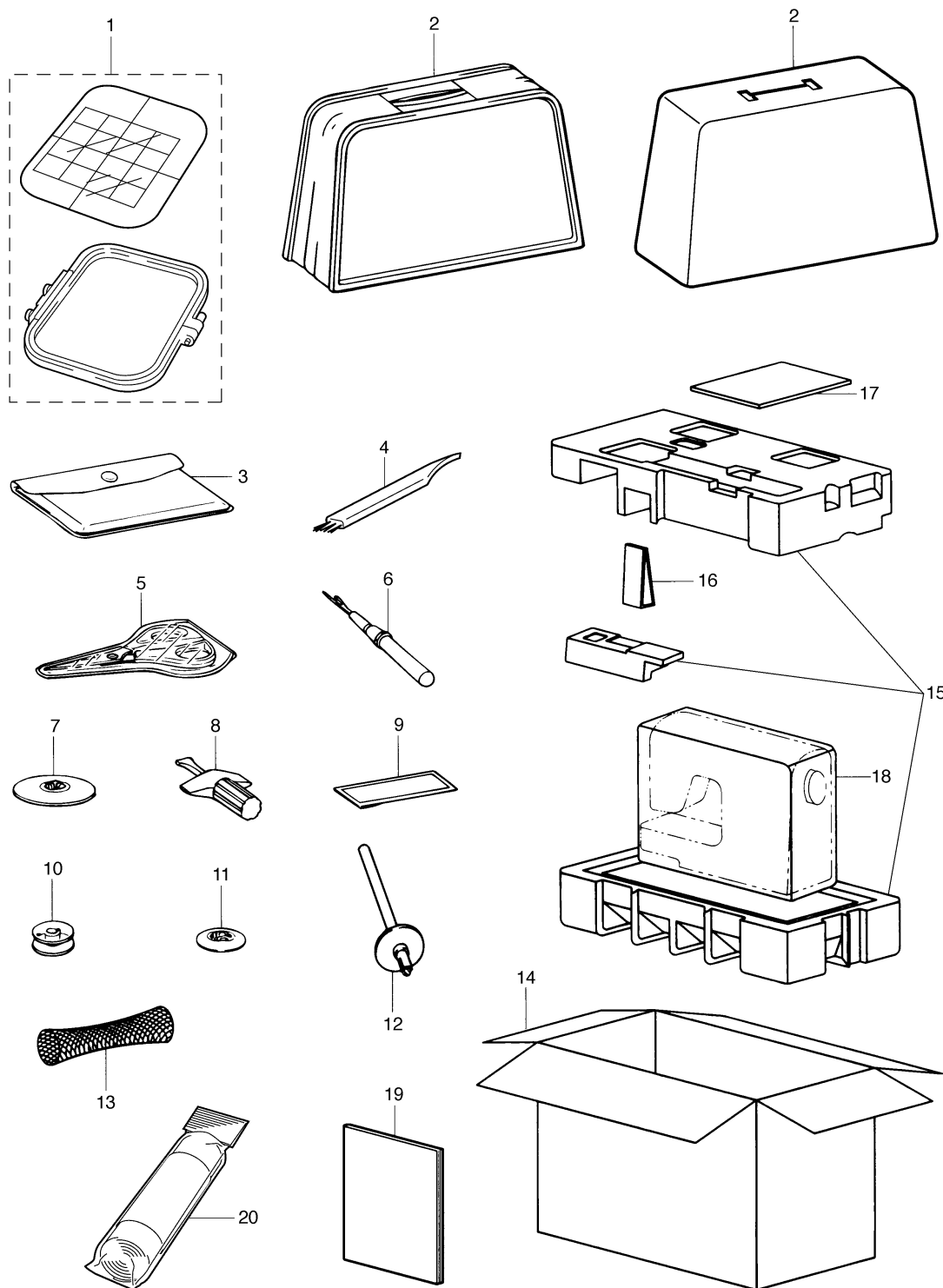
(6) EMBROIDERY MECHANISM

No.	CODE	NAME	REMARKS	No.	CODE	NAME	REMARKS
1	X58713151	Main frame assembly		45	XA3701001	Y pulse motor	
2	X56321000	Intermediate gear A		46	575039003	Screw 3 × 5	
3	X56322000	Intermediate gear B		47	X58731050	Cord guide	
4	X56323051	Gear spring		48	060300516	Screw 3 × 5	
5	048020346	Stop ring E2		49	XC0301151	PCB ASSY : X SENSOR	CHG
6	X56352000	Y drive gear pulley		50	052300606	Screw 3 × 6	
7	048040346	Stop ring E4		51	X58259251	Y SENSOR BOARD ASSEMBLY	CHG
8	026060235	Washer 6		52	060020416	Screw M2 × 4	
9	XA3694001	X pulse motor		53	X57908051	Screw 4 × 10	
10	052300606	Screw 3 × 6		54	XA3700050	Gear Cover	
11	X58715001	X belt 40S2M400		55	124240001	Bind	
12	X58716001	X tension pulley plate assembly		56	XA4480001	Y presser plate	
13	060300816	Screw M3 × 8					
14	052300606	Screw M3 × 6					
15	X58718151	X guide shaft					
16	052401406	Screw 4 × 14					
17	X58719101	X carriage assembly					
18	X56321000	Intermediate gear A					
19	X56322000	Intermediate gear B					
20	X56323051	Gear spring					
21	048020346	Stop ring E2					
22	X56352000	Y drive gear pulley					
23	048040346	Stop ring E4					
24	026060235	Washer 6					
25	XA3695001	Y tension pulley plate assembly					
26	052300606	Screw 3 × 6					
27	XA3697001	Y carriage					
28	X58272100	Y slider					
29	X58724001	Y shutter					
30	052300606	Screw 3 × 6					
31	X58725001	Notched spring					
32	060300416	Screw 3 × 4					
33	X56354001	Y belt 40S2M360					
34	XA3698051	Y guide shaft					
35	048040346	Stop ring E4					
36	X51657000	Roller rubber					
37	X51658000	Roller wheel					
38	048025346	Stop ring E2.5					
39	XA3699001	X carriage support assembly					
40	060300516	Screw 3 × 5					
41	X58729000	X belt presser					
42	538773001	Screw 3 × 8 DA					
43	X58730151	X initial shutter					
44	060300516	Screw 3 × 5					



(7) ACCESSORIES, PACKAGES

No.	CODE	NAME	REMARKS	No.	CODE	NAME	REMARKS
1	XA3727002	Embroidery frame A3 assembly (U.S.A. and Canada)		15	X60487151	STYROFOAM SET for KOREA	ADD
	XA3727001	Embroidery frame A3 assembly (Others)					
2	XA0181051	Machine cover					
	X59351052	SOFT COVER	CHG				
3	128369003	Bag					
4	XA4527001	Brush					
5	XC1807121	SCISSORS	050041				
6	X54243001	Ripper					
7	130012003	Spool presser A					
8	X53666001	Screwdriver					
9	X59535001	Needle set					
10	XA3811051	Bobbin 10pcs. (U.S.A. and Canada)					
	XA3812051	Bobbin 10pcs. (Others)					
11	130013003	Spool presser B					
12	130920051	Assist spool stand bar					
13	127610000	Net					
14	X61034001	Carton					
	X61034002	Carton (with Recycle Stamp)					
	X61034004	Carton (with SP Stamp)					
15	X60487150	STYROFOAM SET	CHG				
16	X60484000	Carriage support carton					
17	X60614000	Space pad carton					
18	163562051	BAG 630X450T	CHG				
19	191216111	Instruction manual (English/Spanish)					
	191216013	Instruction manual (French/Dutch)					
	191216015	Instruction manual (German/French)					
	191216017	Instruction manual (Chinese)					
	19121619	Instruction manual (Italian)					
20	X80914002	Backing material (U.S.A. and Canada)					
	X80914001	Backing material (Others)					
21	XC5263001	G.LEAFLET 11	CHG				
22	XC4135050	SIDE POLYSTYRENE FOAM PAD	ADD				
	XC4135051	SIDE POLYSTYRENE FOAM PAD for KOREA	ADD				



Parts Catalogue For Computerized Sewing Machine Model 112-219 (PE-200 SNOOPY)

**Because this model is similar to the Model B216 (PE-200), only parts that differ from this are shown below.
For other parts not mentioned here, please refer to the B216 (PE-200) Parts Catalogue.**

Title	Parts Catalogue Page	Ref. No.	Parts Name	Parts No.	Quantity	Remarks
(1)Principal Parts and Display	2	1	Front cover assembly	XA3844001	1	
	2	3	SS button	X58645003	1	Characters
	2	3	SS button	X58645004	1	Symbols
(5)Lamp, Electronic Parts, Motor and Power Supply	10	4	Main PC board assembly	X80988101	1	For U.S.A. and CANADA
	10	4	Main PC board assembly	X80989101	1	For IRELAND, GERMANY, BELGIUM, U.K., FRANCE, NORWAY, NETHERLANDS, AUSTRIA, GREECE, SWEDEN, SPAIN, PORTUGAL, ITALY, FINLAND, SWITZERLAND, DENMARK, GIBRALTAR, ICELAND, MALTA, MONACO, AUSTRALIA, NEW ZEALAND and SOUTH AFRICA
	10	9	SS PC board assembly	XA3777101	1	
	10	11	LCD module assembly	X58749009	1	Characters
	10	11	LCD module assembly	X58749010	1	Symbols
	(7)Accessories, Packages	14	-	Instruction manual (SNOOPY)	191219011	1
	14	18	Carton for Snoopy	X81024001	1	
	14	18	Carton for Snoopy	X81024002	1	With Recycle Stamp