

**PARTS CATALOGUE FOR
COMPUTERIZED SEWING MACHINE**

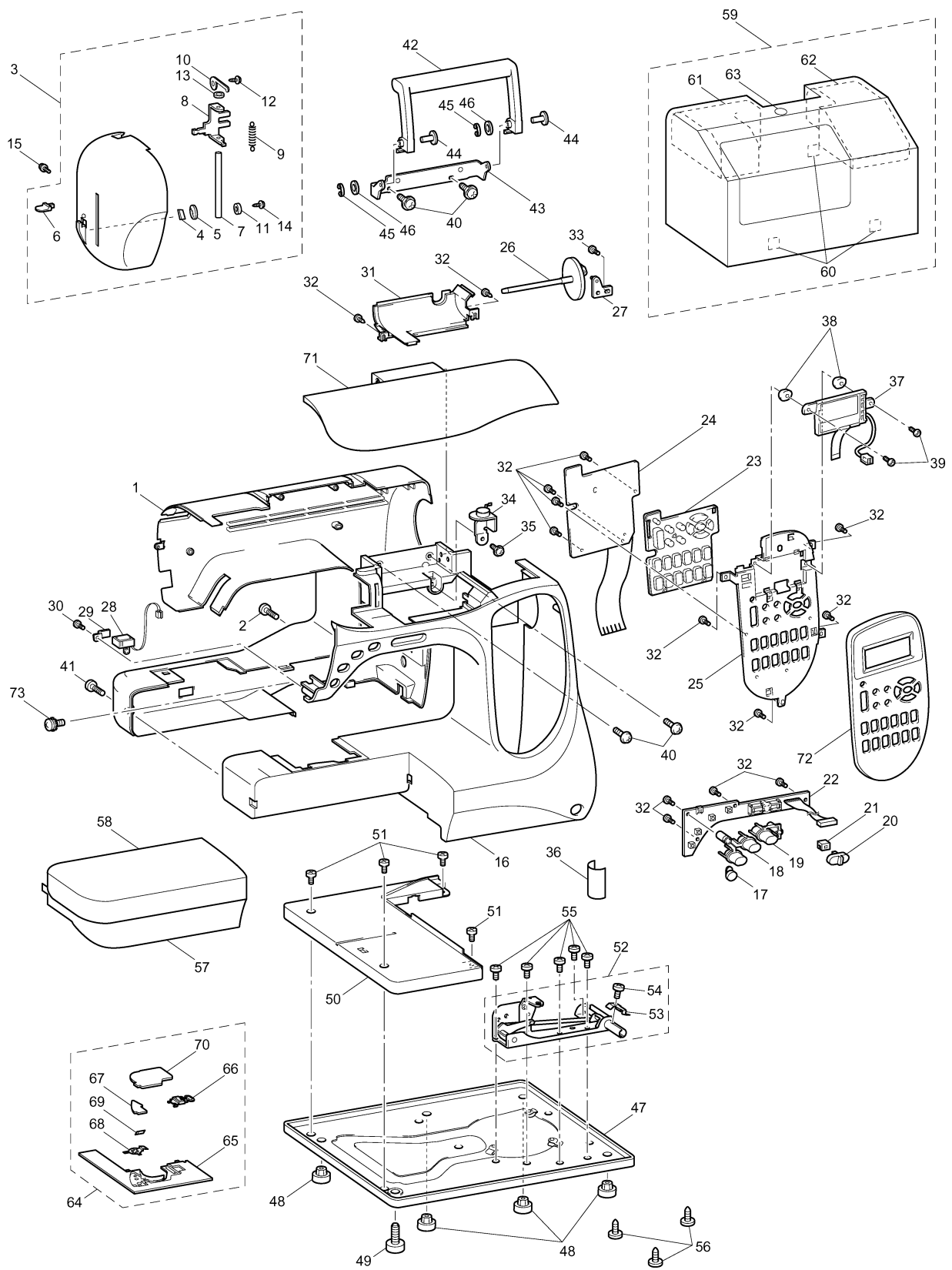
NX600

CONTENTS

(1) PRINCIPAL PARTS.....	2
(2) UPPER SHAFT / NEEDLE BAR, PRESSER MECHANISM.....	4
(3) FEED, ROTARY HOOK / SIDE FEED / THREAD CUTTING MECHANISM.....	6
(4) ROTARY HOOK DRIVE / BOBBIN WINDER MECHANISM.....	8
(5) THREAD GUIDE MECHANISM.....	10
(6) ELECTRONIC PARTS / MOTOR UNIT.....	12
(7) ATTACHMENTS / PRINTED MATTER / PACKING MATERIALS.....	14
NEEDLE-PRESSER MODULE.....	16
FEED MODULE.....	20
THREAD CUTTER MODULE.....	22

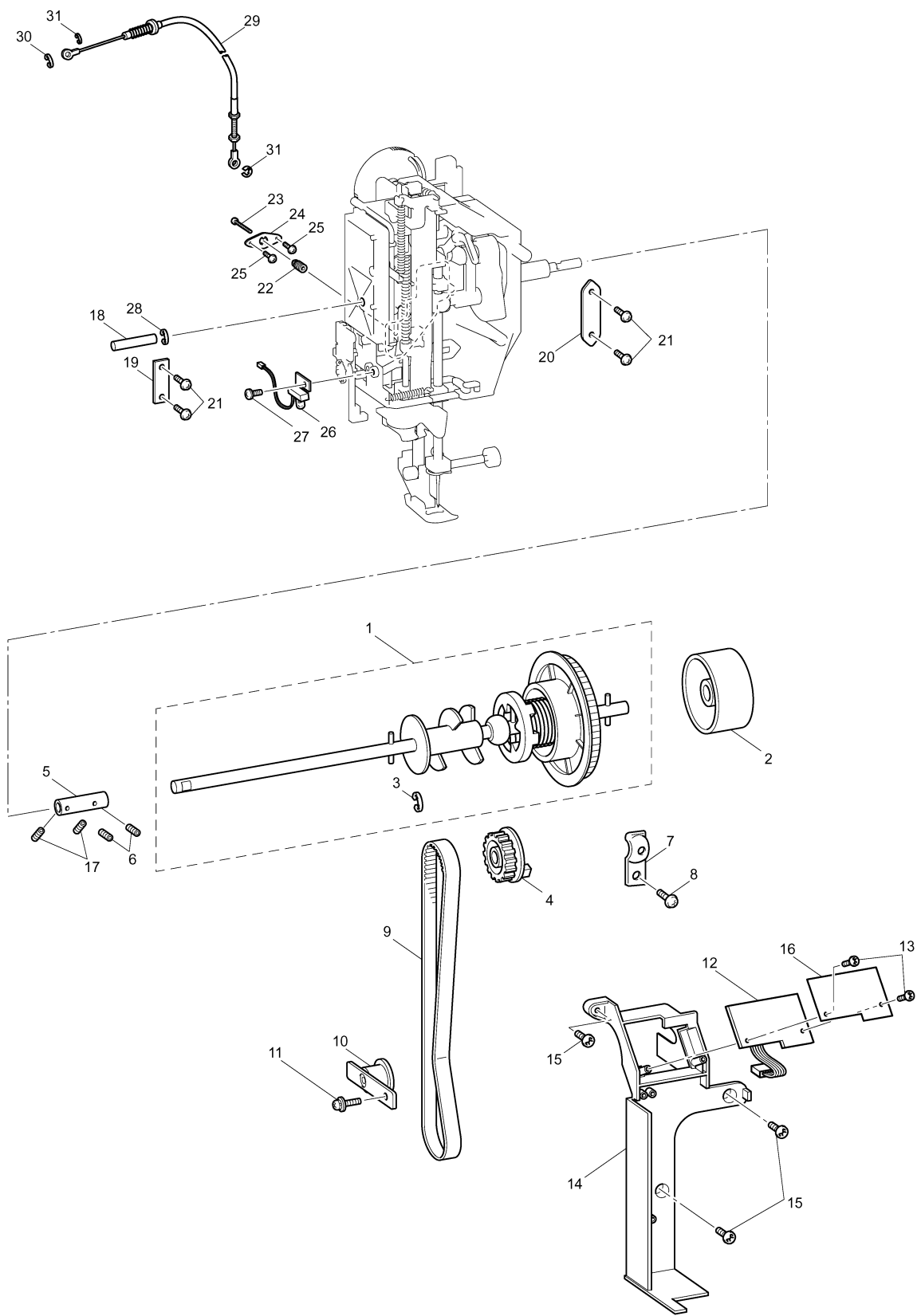
(1) PRINCIPAL PARTS

No.	CODE	NAME	REMARKS	No.	CODE	NAME	REMARKS
1	XC4617152	REAR COVER		45	048040346	RETAINING RING, E4	
2	060400816	SCREW, BIND M4 × 8		46	137713050	POLYESTER SLIDER	
3	XC2306052	FACE PLATE		47	XC2353051	BASE PLATE	
4	X80321001	NT LOWER THREAD CUTTER		48	XA1805051	BASE RUBBER A	
5	138384051	RETAINING RING,CS5		49	XA4687051	REGULATOR ADJUSTING SCREW ASSY	
6	XC2747051	NEEDLE THREAD LEVER KNOB		50	XC2354051	BASE PLATE COVER	
7	XA5825051	NEEDLE THREAD LEVER SHAFT		51	060300516	SCREW, BIND M3 × 5	
8	XC3039051	NEEDLE THREAD LEVER		52	XC4447151	KNEE LIFTER ASSEMBLY	050173
9	138260051	THREAD THROUGH LEVER SPRING		53	XA6215151	SPRING,PLATE	
10	XA6320050	SHAFT PRESSER PLATE		54	060260316	SCREW, BIND M2.6 × 3	
11	XA5525051	WASHER,PLAIN		55	062400612	SCREW, PAN M4 × 6	
12	138433051	TAPTITE,PAN B M3 × 6		56	X57908051	TAPTITE,BIND S M4 × 10	
13	XC0508050	RUBBER WASHER		57	XC2358251	ACCESSORY TABLE	CHG
14	X59629051	TAPTITE,BIND B M3 × 10		58	XC2359052	ACCESSORY TABLE DOOR	
15	052401406	SCREW PAN (S/P WASHER) M4 × 14		59	XC2360252	CASE ASSEMBLY	CHG
16	XC4441253	FRONT COVER		60	125440050	CASE FELT	
17	XC2312053	SS-BUTTON		61	XC2702250	HEAD SUPPORT SF-L	CHG
18	XC2313051	REVERSE BUTTON		62	XC2703050	HEAD SUPPORT SF-R	
19	XC2314051	THREAD CUT BUTTON		63	XZ0161051	BLIND PLATE	
20	XC2315051	SV KEYTOP		64	XC2364051	NEEDLE PLATE B ASSY	040139
21	XC2316150	SV JOINT PLATE	050016	65	XC2365051	NEEDLE PLATE B	
22	XC2317151	PCB ASSY:SS-VR F2	CHG	66	XC2366051	SLIDE BUTTON	
23	XC4442052	RUBBER KEY F3		67	XD1666051	CUTTER COVER	050250
24	XC4403151	PCB ASSY:OPERATION F3	CHG	68	XD1461051	NEEDLE PLATE COVER SPRING	050272
25	XC4444051	OPERATION PCB HOLDER		69	X80321001	NT LOWER THREAD CUTTER	
26	XA1786053	SPOOL PIN		70	XD1645051	NEEDLE PLATE COVER SUPPLY ASSY	050259
27	XC2337051	SPOOL PIN HOLDER ASSY		71	XC2304066	TOP COVER (U.S.A., CANADA)	
28	XC4531151	PCB UNIT:LED LAMP-FR	CHG		XC2304065	TOP COVER	
29	XC7081051	LAMP HOLDER SUPPORTER	CHG	72	XC4325057	INDICATION PLATE ASSY	
30	X57372051	TAPTITE,PAN B M2.6 × 8	050010	73	XC4433051	SCREW,PAN(T WASHER)M3 × 6	
31	XC2346051	THREAD BOBBIN COVER					
32	136681051	TAPTITE, BIND B M3 × 8					
33	087311015	TAPTITE, CUP B M3 × 10					
34	XC2620051	BOBBIN WINDER GUIDE ASSY					
35	XA8390051	SCREW					
36	XZ0143050	SSVR INSULATION SHEET					
37	XC4418051	SINGLE LIGHT GUIDE ASSY					
38	XC4543051	BOARD PRESSER					
39	X59629051	TAPTITE,BIND B M3 × 10					
40	085411416	TAPTITE, BIND B M4 × 14					
41	XA3337052	TAPTITE,CUP P M4 × 20					
42	XC2348051	HANDLE					
43	XC2349051	HANDLE HOLDER					
44	XC2350051	HANDLE SHAFT					



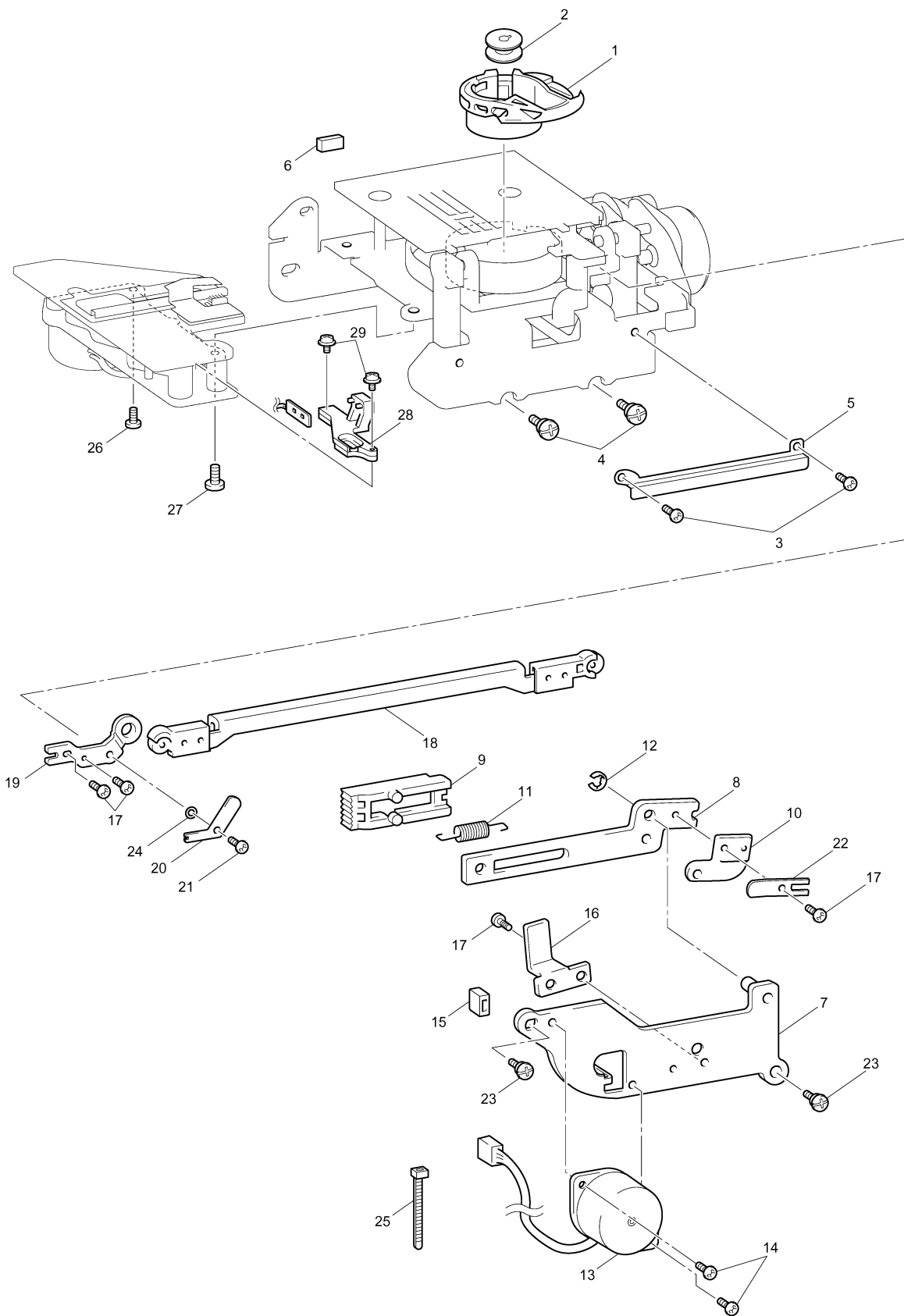
(2) UPPER SHAFT / NEEDLE BAR, PRESSER MECHANISM

No.	CODE	NAME	REMARKS
UPPER SHAFT MECHANISM			
1	XC3246151	UPPER SHAFT ASSY	050077
2	XC2375051	PULLEY	
3	048060346	RETAINING RING, E6	
4	XC2380050	UPPER SHAFT PULLEY	
5	XC2383051	FIXED JOINT	
6	012500532	SET SCREW, SOCKET (FT) M5 × 5	
7	132421051	BUSHING PRESSER	
8	X57908051	TAPTITE,BIND S M4 × 10	
9	XC2384051	TIMING BELT 420-5GT-6	
10	XC2385051	TENSION PULLEY ASSEMBLY	
11	138172051	SCREW,PAN(S/P WASHER)M4 × 10	
12	XC2387151	PCB ASSY:NP-F2	CHG
13	X59629051	TAPTITE, BIND B M3 × 10	050149
14	XC2390251	PCB HOLDER	050149
15	060400816	SCREW, BIND M4 × 8s	
16	XC3028051	INSULATION SHEET	
17	014400432	SET SCREW, SOCKET (CP) M4 × 4	050306
NEEDLE BAR, PRESSER MECHANISM			
18	XC2503051	SHAFT	
19	XC2297051	PRESSER PLATE A	
20	XC2298051	PRESSER PLATE B	
21	X57908051	TAPTITE,BIND S M4 × 10	
22	XC2504050	ADJUSTING SCREW	
23	XZ0380051	SCREW, PAN (WASHER) M3 × 18	CHG
24	XC2505050	PLATE SPRING	
25	060400516	SCREW, BIND M4 × 5	
26	XC4532151	PCB UNIT:LED LAMP-FL	CHG
27	XZ0149051	TAPTITE,PAN B 4 × 12	
28	048050346	RETAINING RING, E5	
29	XC4473001	WIRE ASSY	
30	048040346	RETAINING RING, E4	
31	048030346	RETAINING RING, E3	



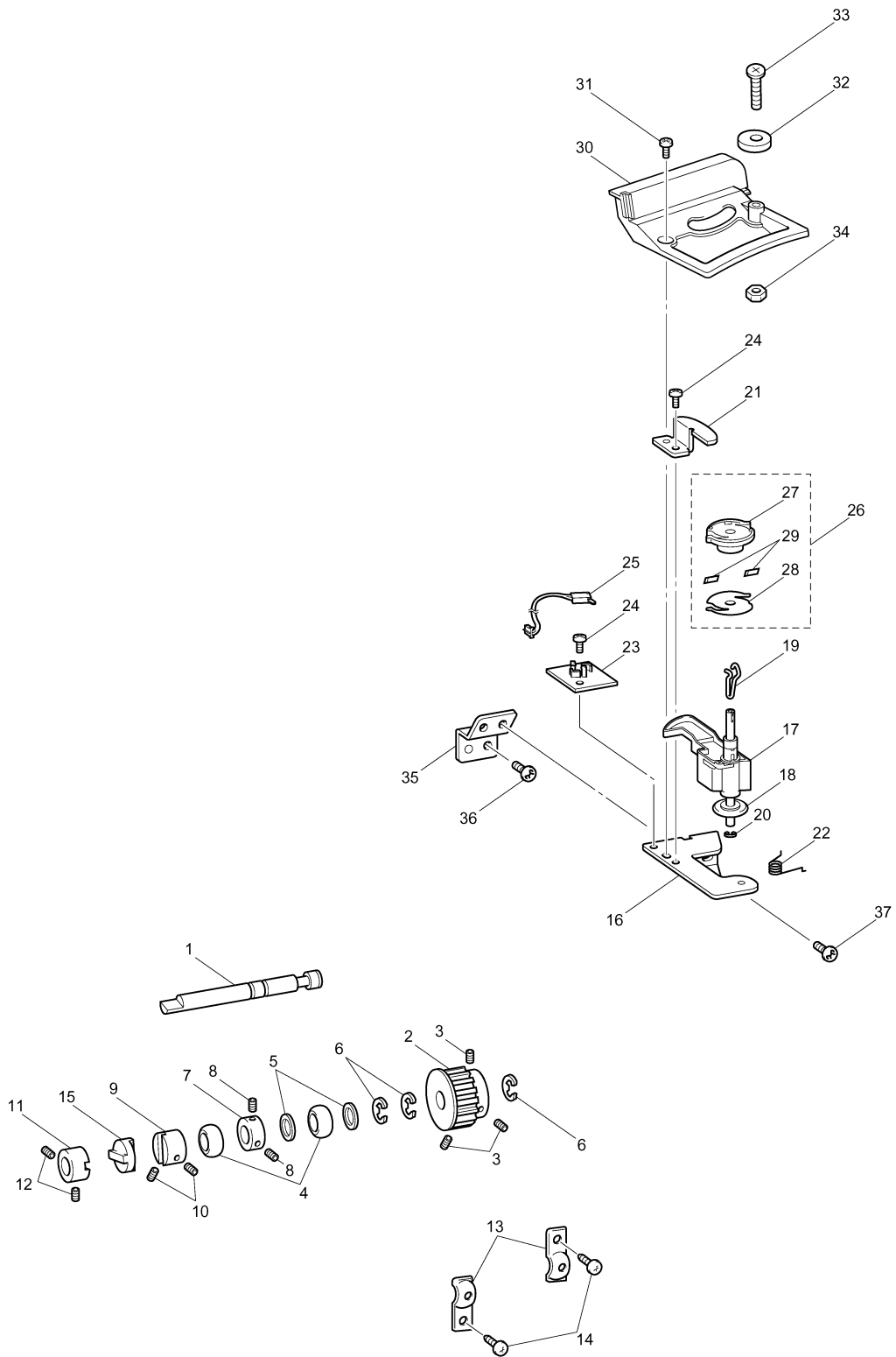
(3) FEED, ROTARY HOOK / SIDE FEED / THREAD CUTTING MECHANISM

No.	CODE	NAME	REMARKS
FEED, ROTARY HOOK MECHANISM			
1	XC3153051	INNER ROTARY HOOK ASSY	
2	X52800150	BOBBIN	
3	060300416	SCREW, BIND M3 × 4	
4	XC3096051	SCREW M4	
5	XC3095051	LEADLINE GUIDE	CHG
6	XZ0160051	SHEET	
SIDE FEED MECHANISM			
7	XC8418051	SPM HOLDER ASSY	040087
8	XC6258051	SIDE FEED PLATE	
9	XA9506051	SIDE FEED GEAR	
10	XA9507050	SIDE FEED WASHER	
11	XA9508051	SPRING,EXTENSION	
12	048030346	RETAINING RING, E3	
13	XC5340021	MOTOR, PULSE:S SMJ35-4840-E	
14	060300416	SCREW, BIND M3 × 4	
15	XA2189050	RUBBER	
16	XC0411051	S STOPPER	
17	060300616	SCREW, BIND M3 × 6	
18	XC6259051	SIDE FEED ARM ASSY	
19	XC6263051	SIDE FEED ADJUST PLATE	
20	XC6264051	SPRING,PLATE B	
21	060300516	SCREW, BIND M3 × 5	
22	XA9514051	SPRING,PLATE A	
23	X57908051	TAPTITE,BIND S M4 × 10	
24	XA2401050	WASHER	
25	X53169050	BAND	
THREAD CUTTING MECHANISM			
26	060400516	SCREW, BIND M4 × 5	
27	060300516	SCREW, BIND M3 × 5	
28	XC9199051	SENSOR HOLDER	040151
29	0A4300605	SCREW, PAN (S/P WASHER) M3 x 6	040151



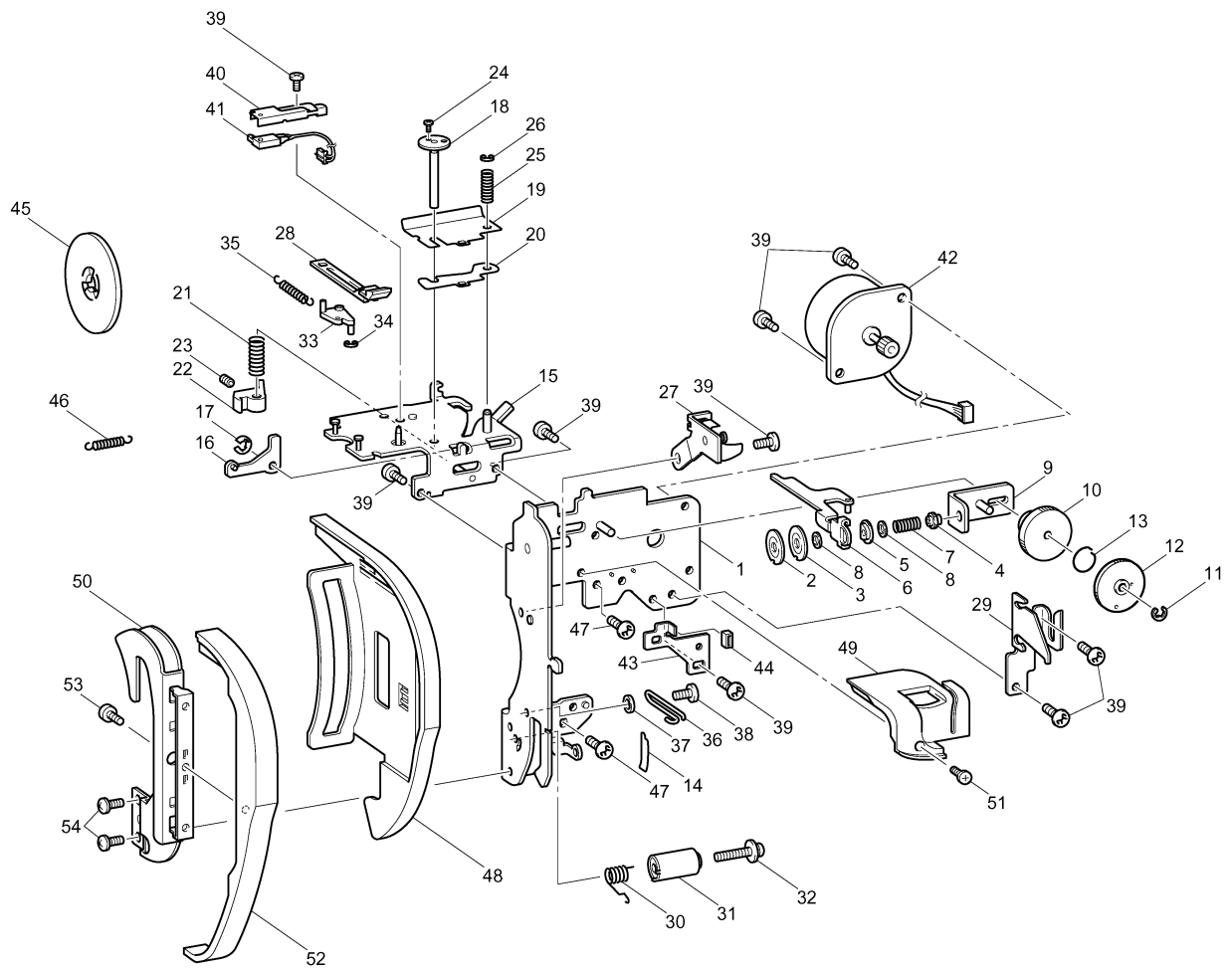
(4) ROTARY HOOK DRIVE / BOBBIN WINDER MECHANISM

No.	CODE	NAME	REMARKS
ROTARY HOOK DRIVE MECHANISM			
1	XC2600050	LOWER SHAFT A	
2	XC2601051	TIMING PULLEY D	
3	014500532	SET SCREW, SOCKET (CP) M5 × 5	
4	X52664050	LOWER SHAFT BUSHING	
5	X51383050	WASHER, THRUST	
6	048060346	RETAINING RING, E6	
7	137768151	SET SCREW COLLAR	
8	014400432	SET SCREW, SOCKET (CP) M4 × 4	
9	XC2602051	JOINT	
10	012500532	SET SCREW, SOCKET (FT) M5 × 5	
11	XC2602051	JOINT	
12	012500532	SET SCREW, SOCKET (FT) M5 × 5	
13	132421051	BUSHING PRESSER	
14	X57908051	TAPTITE, BIND S M4 × 10	
15	XC2603050	DISK	
BOBBIN WINDER MECHANISM			
16	XC2605051	BOBBIN WINDER ASSEMBLY HOLDER	
17	XC2606251	BW SHAFT HOLDER ASSEMBLY	050289
18	X55238051	RUBBER RING	
19	125928050	BOBBIN WINDER SHAFT SPRING	
20	048050343	RETAINING RING, E5	050058
21	XA2862051	BOBBIN WINDER SHAFT STOPPER	
22	XZ0070051	BOBBIN WINDER SPRING	
23	XC2614051	SW ADJUST PLATE	
24	060300616	SCREW, BIND M3 × 6	
25	XC2612051	SW ASSY: BW-F	
26	XC4672051	BOBBIN BASE ASSY	
27	XC2616051	BOBBIN BASE	
28	XA5877051	BOBBIN THREAD CUTTER HOLDER	
29	X80321001	NT LOWER THREAD CUTTER	
30	XC2618051	BOBBIN WINDER COVER	
31	XA8390051	SCREW	
32	XC4517051	BOBBIN PRESSER	
33	0A4302006	SCREW	
34	021300205	NUT, 2 M3	050171
35	XC2615051	BW HOLDER SUPPORTER	
36	X57908051	TAPTITE, BIND S M4 × 10	
37	060400816	SCREW, BIND M4 × 8	



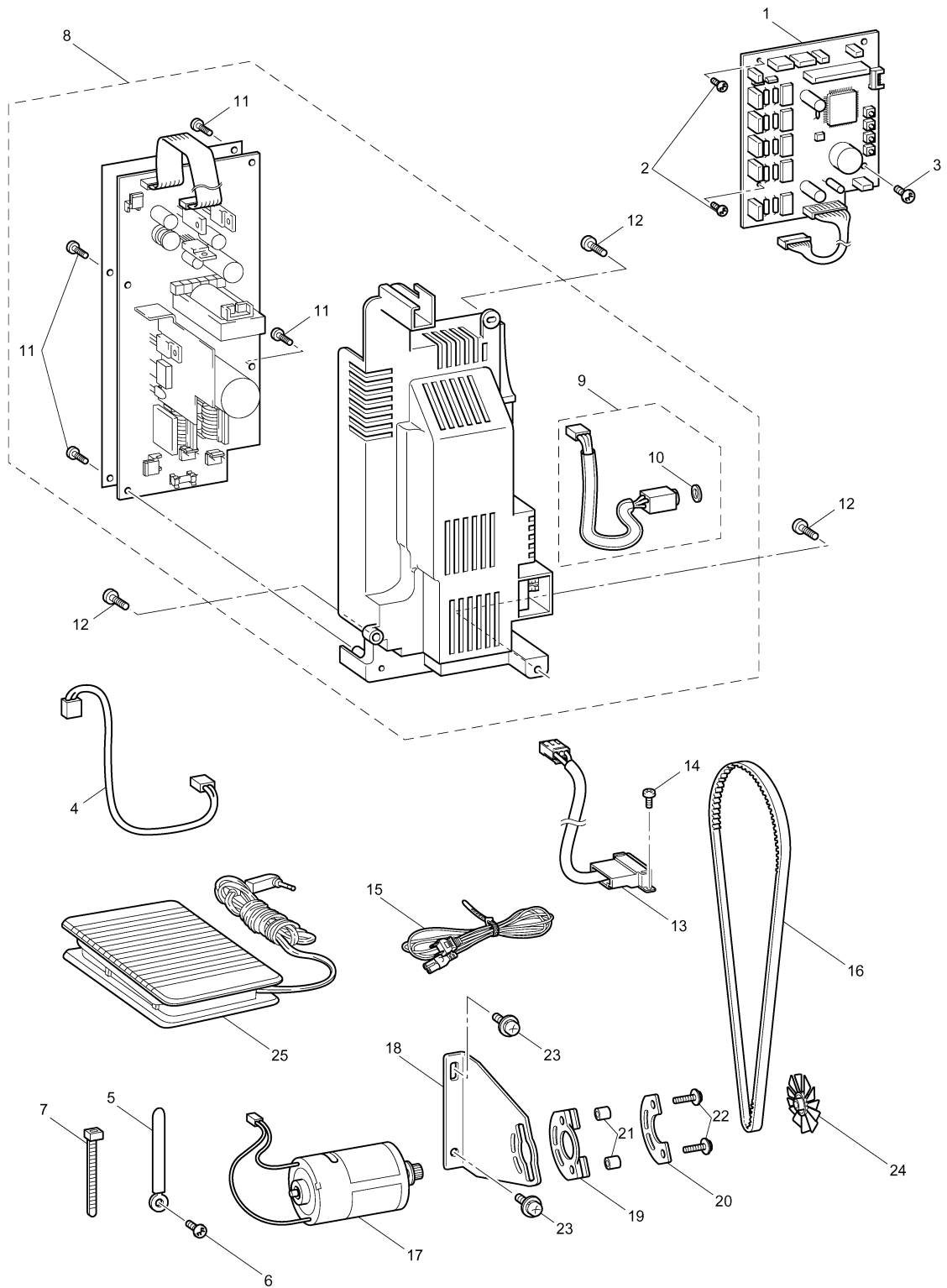
(5) THREAD GUIDE MECHANISM

No.	CODE	NAME	REMARKS	No.	CODE	NAME	REMARKS
1	XC2624351	THREAD GUARD ASSEMBLY	050065	45	X55260153	SPOOL PRESSER C	
2	XA0083051	TENSION DISC A		46	XA9787051	SPRING	
3	XC2626051	TENSION DISC B		47	085411015	TAPTITE, BIND B M4 × 10	
4	XC3437051	TENSION ADJUSTING SCREW		48	XC2652152	THREAD GUIDE COVER	
5	XA1388051	TENSION DISC WASHER		49	XC4485053	FRONT THREAD GUARD COVER	
6	XC2627051	TENSION RELEASE PLATE ASSY		50	XC4203251	THREAD GUIDE ASSY	
7	XA9900051	THREAD TENSIONSPRING		51	060300416	SCREW, BIND M3 × 4	
8	XD0573051	WASHER	050053	52	XC2659052	THREAD GUIDE COVER	
9	XA9562051	TENSION PLATE ASSY		53	138433051	TAPTITE, PAN B M3 × 6	CHG
10	XZ0171051	THREAD TENSIONCAM		54	052300606	SCREW, PAN (S/P WASHER) M3 × 6	
11	048030346	RETAINING RING, E3					
12	XZ0170051	THREAD TENSION GEAR COVER					
13	X56323051	SPRING					
14	XA9935050	SPRING TAPE					
15	XC2635151	TENSION RELEASE HOLDER ASSY	040224				
16	XA9571051	TENSION RELEASERLINK					
17	048030346	RETAINING RING, E3					
18	XC2638151	TENSION PRESSURE ASSY	050279				
19	XA9575051	TENSION PLATE					
20	XA9576051	SPACER					
21	XA9577051	SPRING					
22	XC2640051	TENSION RELEASE CAM					
23	012300432	SET SCREW, SOCKET (FT) M3 × 4					
24	X57363051	POWER LOCK 2 × 3					
25	X57605051	SPRING					
26	048020346	RETAINING RING, E2					
27	XC2644051	PLATE ASSEMBLY					
28	XC2647051	THREAD GUIDE SHUTTER					
29	XC2749051	THREAD GUIDE					
30	XZ0145051	THREAD TAKE UP SPRING					
31	XC2648051	THREAD CATCHING SPRING CASE					
32	0A4301806	SCREW, PAN S/P WASHER M3 × 18					
33	XC2649050	THREAD GUIDE SHUTTER LINK					
34	048030346	RETAINING RING, E3					
35	XC2650051	SPRING					
36	XC2651050	THREAD GUIDE WIRE					
37	XA9996051	WASHER,PLAIN					
38	XC7564051	SCREW, PAN (S/P WASHER) M3 × 6	050288				
39	060300416	SCREW, BIND M3 × 4					
40	XC2641051	PRESSER SWITCH HOLDER					
41	XC2642051	SW ASSY:PF-F					
42	XC4407021	MOTOR,PULSE:AT SMJ35-4840-D					
43	XC4484051	INITIAL ADJUSTING PLATE					
44	XC3253051	RUBBER					



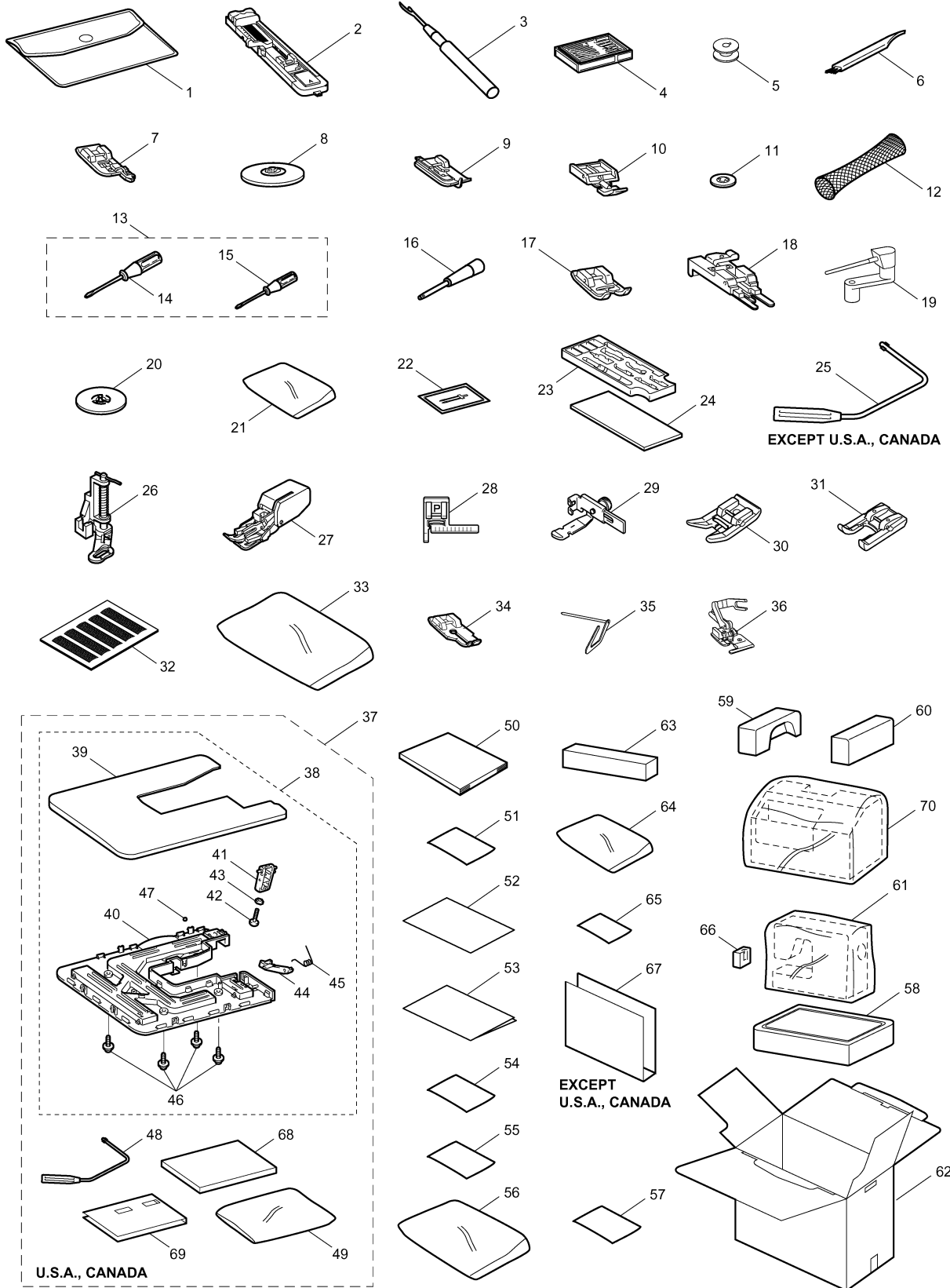
(6) ELECTRONIC PARTS / MOTOR UNIT

No.	CODE	NAME	REMARKS
ELECTRONIC PARTS			
1	XC5333251	MAIN PCB ASSY:F3D-B	CHG
2	136681051	TAPTITE, BIND B M3 × 8	
3	060400816	SCREW, BIND M4 × 8	
4	XC2672051	LEAD ASSY:BH CABLE-F	
5	XA0286051	WIRE CLIP	
6	X57908051	TAPTITE,BIND S M4 × 10	
7	X53169050	BAND	
8	XD0471151	POWER SUPPLY UNIT F120 (U.S.A., CAN)	050256
	XC2675351	POWER SUPPLY UNIT,F	050158
9	XC4488051	FC JACK-F SUPPLY ASSY	
10	X51271001	NUT	
11	136681051	TAPTITE, BIND B M3 × 8	
12	052401406	SCREW PAN (S/P WASHER) M4 × 14	
13	XC4412051	INLET ASSY:F1D-US (U.S.A., CANADA)	
	XC4417051	INLET ASSY:F1D-EU	
14	060400616	SCREW, BIND M4 × 6	
15	XC6052051	POWER SUPPLY CORD:UL CSA-LF (U.S.A., CANADA)	
	XA0070151	POWER SUPPLY CORD (EUROPE)	
	X59354051	POWER SUPPLY CORD -BS (U.K.)	
	XC9548051	POWER SUPPLY CORD : SAA-LF (AUS)	040186
MOTOR UNIT			
16	XC2685051	T BELT494-2GT-6	
17	XC2687051	ASSY:MAIN MOTOR-F	
18	XC2690051	MOTOR HOLDER	
19	XA9649050	FENDER RUBBER	
20	XA9650051	MOTOR SPACER PRESSER	
21	XC3027051	SPACER 4 × 6	
22	XC7568051	SCREW, PAN (S/P WASHER) M4 × 14	040227
23	XA8474051	UPSET 4 × 12 DB	
24	XA9652150	MOTOR FAN	
25	XC6651151	FOOT CONTROLLER:FC-313-81-LF	
	XD0496051	FOOT CONTROLLER:FC-313-LF-EU	050033



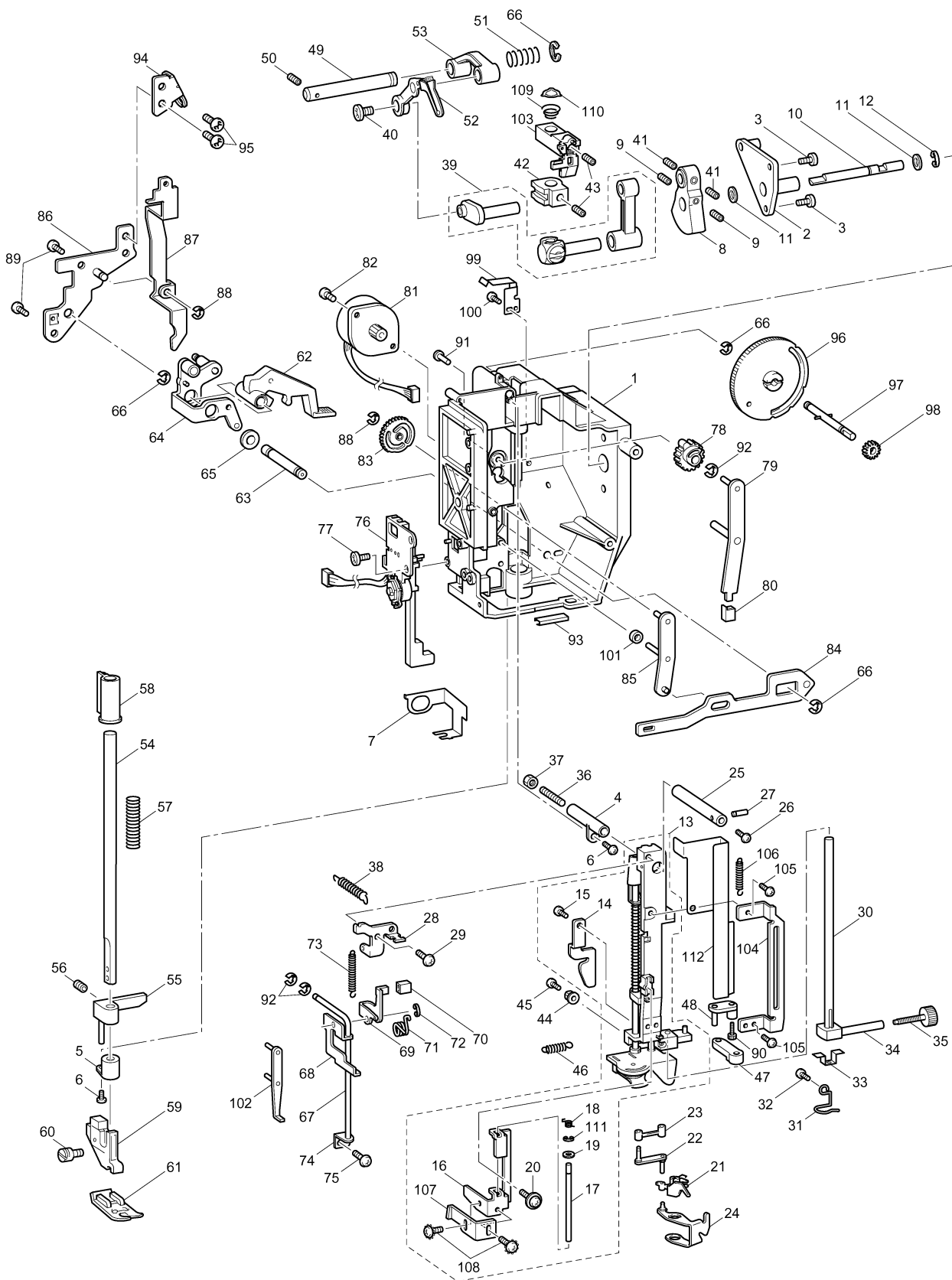
(7) ATTACHMENTS / PRINTED MATTER / PACKING MATERIALS

No.	CODE	NAME	REMARKS	No.	CODE	NAME	REMARKS
ATTACHMENTS							
1	XC4487051	ACCESSORY BAG		43	021400206	NUT, 2 M4 (U.S.A., CANADA)	
2	XC2691053	BH PRESSER FOOT ASSY	050110	44	XC4497051	LOCK LEVER (U.S.A., CANADA)	
3	X54243001	SEAM RIPPER		45	XC4498051	LOCK SPRING (U.S.A., CANADA)	
4	X58358051	Z NEEDLE ASSY		46	087411416	TAPTITE, CUP B M4 × 14 (U.S.A., CANADA)	
5	X52800150	BOBBIN		47	XA6069050	CUSHION RUBBER (U.S.A., CANADA)	
6	X59476051	CLEANING BRUSH		48	XA6941052	KNEE LIFTER LEVER ASSY (U.S.A., CANADA)	
7	XC3098051	OVERCASTING STITCH FOOT ASSY		49	X61231051	BAG, 400 × 500H (U.S.A., CANADA)	
8	130012054	SPOOL PRESSER A		PRINTED MATTER			
9	X56409051	BLIND STITCH FOOT ASSY		50	XC5427051	INSTRUCTION BOOK (English)	
10	X59370051	ZIPPER FOOT			XC5429051	INSTRUCTION BOOK (German)	
11	130013154	SPOOL PRESSER B			XC5428051	INSTRUCTION BOOK (French)	
12	XA5523050	NET			XC5430051	INSTRUCTION BOOK (German)	
13	X55466051	SCREW DRIVER			XC5432051	INSTRUCTION BOOK (Italian)	
14	X55467051	SCREW DRIVER			XC7203151	INSTRUCTION BOOK (Russian)	050192
15	X55468051	SCREW DRIVER S		51	XC8945051	WARRANTY CARD T (U.S.A.)	040134
16	135793051	PUNCH			UH385100	WARRANTY CARD EUR (EUROPE)	
17	X53840351	TRANSPARENCY PRESSER FOOT			XC6402051	WARRANTY CARD (U.K.)	
18	130489001	BUTTONING FOOT			XA6351151	WARRANTY CARD (ITALY)	
19	XC4654051	EXTRA SPOOL PIN ASSY		52	XC4546151	QUICK REFERENCE GUIDE	
20	X55260153	SPOOL PRESSER C		53	XC5434051	QUICK REFERENCE GUIDE F3D-B	
21	X57367051	BAG, 135 × 150		54	XC4545051	CAUTION SHEET	
22	X59296151	TWIN NEEDLE (1PC)		55	XC5440051	LANGUAGE SETTING SHEET F3D	
23	XC4489051	ACCESSORY TRAY		56	130800051	BAG, 220 × 310	
24	XC4490050	SPONGE		57	XC9159051	STITCH REFERENCE CARD	040144
25	XA6941052	KNEE LIFTER LEVER ASSY (EXCEPT U.S.A., CANADA)		PACKING MATERIALS			
26	XA4322001	QUILTING FOOT		58	XC2704250	BODY SUPPORT SF	050305
27	X59816101	WALKING FOOT ASSEMBLY	040095	59	XC2705150	CASE SUPPORT	050310
28	X51804001	STITCH FOOT		60	XC2706150	CASE SUPPORT SF-R	050312
29	103561002	ZIPPER FOOT		61	X60439151	BAG, 630 × 630T	
30	XA4783001	NO STICK FOOT H		62	XC6271051	CARTON (U.S.A., CANADA)	
31	XA7869001	APPLIQUE FOOT			XC4623055	CARTON	
32	XC4549050	SA527/GS4 GRID SHEET SET		63	XC4805050	TABLE SUPPORT SF	
33	XA0188050	BAG		64	XC4515050	BAG, BUBBLE PACK 250 × 250	
34	XA3805051	QUILTING FOOT	CHG	65	X57847051	PLUG LABEL	
35	X59819001	QUILTER		66	XC4762250	THREADER SUPPORT SF	050294
36	XC3198001	SIDE CUTTER ASSY		67	XC4631051	PAD (EXCEPT U.S.A., CANADA)	
37	XC4513051	TABLE LEVER ASSY (U.S.A., CANADA)		68	XC4509051	TABLE CARTON	
38	XC4491051	WIDE TABLE ASSY (U.S.A., CANADA)		69	XC4512050	PAD	
39	XC4492051	TABLE UPPER (U.S.A., CANADA)		70	X61319051	BAG, 750 × 600H	
40	XC4493051	TABLE LOWER (U.S.A., CANADA)		71	181401172	INSERTION WARRANTY COUPON	ADD
41	XC4495051	TABLE FOOT (U.S.A., CANADA)		50	XC7407051	INSTRUCTION BOOK, (Danish)	ADD
42	XC4550051	ADJUSTING FOOT (U.S.A., CANADA)			XC7408051	INSTRUCTION BOOK, (Swedish)	ADD
				51	XD1122051	EEU WARRANTY CARD	050198



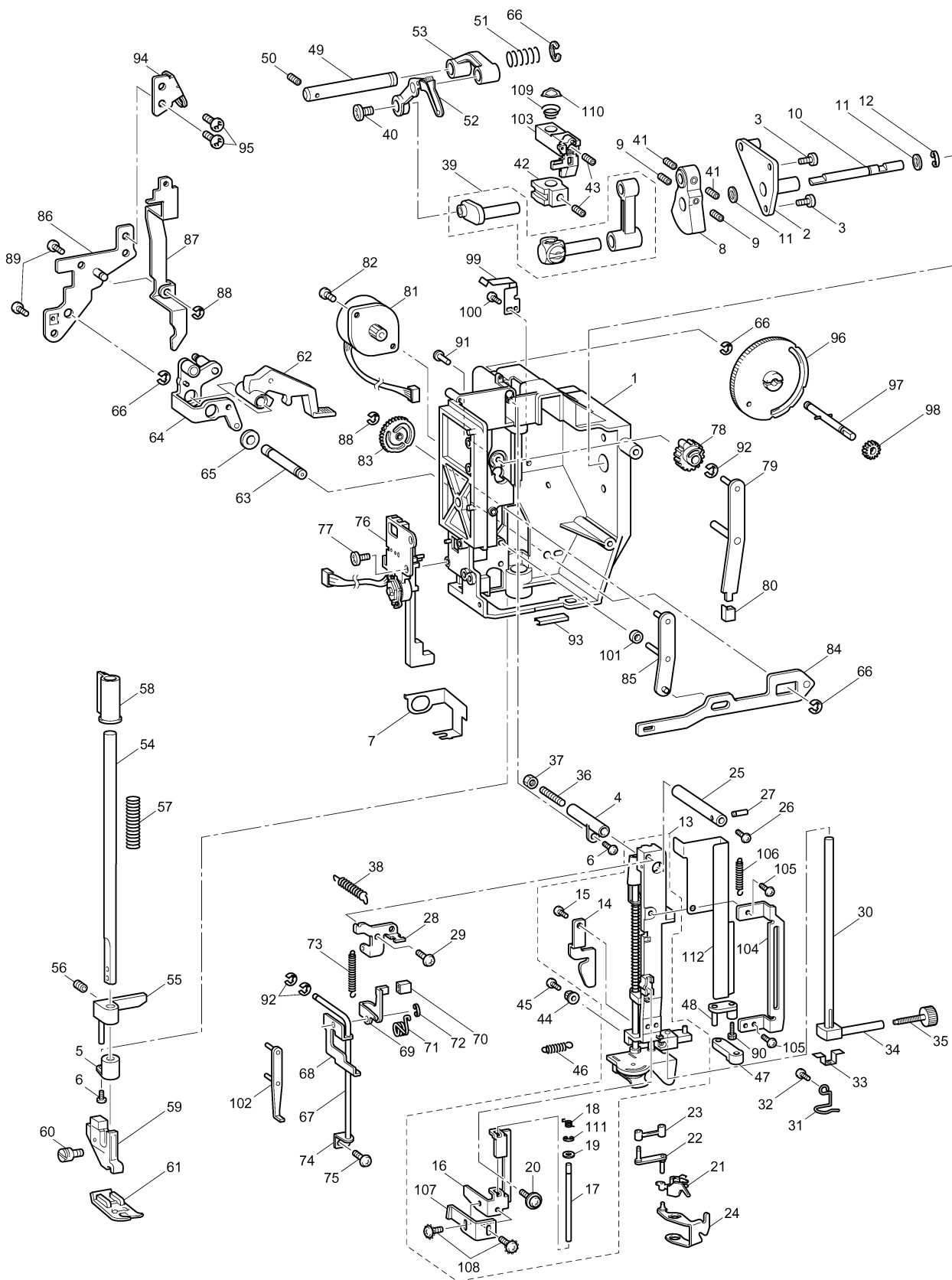
NEEDLE-PRESSER MODULE

No.	CODE	NAME	REMARKS	No.	CODE	NAME	REMARKS
1	XC2394421	UPPER UNIT HOLDER	050104	45	018301032	BOLT, SOCKET M3 × 10	
2	XZ0177021	SHAFT BUSHING ASSEMBLY		46	XC2748021	SPRING-Z	
3	XC7568051	SCREW, PAN (S/P WASHER) M4 × 14	040227	47	XC2436021	NEEDLE HOLDER BROCK	
4	XC2398020	SHAFT BUSHING A		48	XC2437021	SHAFT ASSY	
5	XC2399021	PRESSER BAR BUSHING		49	XC2440051	SHAFT	040142
6	136681051	TAPTITE, BIND B M3 × 8	CHG	50	014300532	SET SCREW, SOCKET (CP) M3 × 5	
7	XC5362050	PLATE SPRING	CHG	51	XC2441021	SPRING	
8	XC2400021	THREAD TAKE-UP COUNTER WEIGHT		52	XC6239051	THREAD TAKE-UP LEVER ASSY	
9	012500532	SET SCREW, SOCKET (FT) M5 × 5		53	XC2443020	THREAD TAKE-UP LEVER LINK	
10	XC2401021	UNIT SHAFT		54	XC2444021	PRESSER BAR	
11	132434050	WASHER		55	XC2445021	PRESSER BAR CLAMP ASSY	
12	048060346	RETAINING RING, E6		56	014501032	SET SCREW, SOCKET (CP) M5 × 10	
13	XC6361151	NEEDLE BAR SUPPORTER ASSY	050263	57	XC4457051	SPRING	
14	XC2418020	HOOK RELEASE PLATE		58	XC4458050	PRESSER SPRING SUPPORTER	
15	060260516	SCREW, BIND M2.6 × 5		59	XC3015051	PRESSER FEED HOLDER ASSY	
16	XC3446051	RELEASE LEVER		60	XA4813051	SCREW	
17	XC3447051	RELEASE LEVER SHAFT		61	XC3021051	Z FOOT	
18	XC3448051	RELEASE LEVER SPRING		62	XC2451021	PRESSER FOOT LIFTER	
19	137977050	POLYESTER SLIDER		63	XC4459051	PRESSER LIFT SHAFT	
20	0A2300606	SCREW 3 × 6B		64	XC4460051	LIFTER ASSY	
21	XD1550051	THREADER HOOK ASSY	050263	65	XA1860150	WASHER	
22	XD1546051	LINK A ASSY	050298	66	048040346	RETAINING RING, E4	
23	XD1548051	LINK B	050298	67	XC2453021	LEVER GUIDE SHAFT	
24	XC2415021	THREAD GUIDE ASSY		68	XC2455021	LEVER A ASSY	
25	XC2419021	SHAFT		69	XC2458021	LEVER B	
26	000020415	SCREW, BIND M2 × 4		70	XC2459020	CAP	
27	XC2420050	SHAFT	040142	71	XC2460021	TORSION SPRING	
28	XD1488051	PLATE	050228	72	048030346	RETAINING RING, E3	
29	060300516	SCREW, BIND M3 × 5		73	XC2461021	SPRING	
30	XC2423051	NEEDLE BAR		74	XC2462021	LEVER PRESSER PLATE	
31	XC2424021	NEEDLE BAR THREAD GUIDE		75	138433051	TAPTITE, PAN B M3 × 6	CHG
32	X53053052	SCREW SM2.38		76	XC2463121	BH SWITCH ASSY	
33	XC2426020	NEEDLE THREAD PLATE		77	XZ0149051	TAPTITE, PAN B 4 × 12	
34	XC2427051	NEEDLE BROCK		78	XC2474020	Z ZIGZAG CAM	
35	XC2428051	NEEDLE CLAMP SCREW	040142	79	XC2476021	Z ZIGZAG LEVER ASSY	
36	014401232	SET SCREW, SOCKET (FT) M4 × 12		80	XC2480020	Z LEVER CUP	
37	X56851051	LOCK NUT		81	XC2481051	MOTOR, PULSE: Z SMJ35-4840-A	CHG
38	XC2429021	SPRING		82	X59629051	SCREW, BIND B TITE 3 × 10	CHG
39	XC6300151	NEEDLE BAR CRANK ROD ASSY	040090	83	XC2483020	T CAM	
40	132051052	SCREW, FLAT SM3.57-40 × 7 L		84	XC2491021	THREAD RELEASER ASSY	
41	012500532	SET SCREW, SOCKET (FT) M5 × 5		85	XC2494021	THREAD RELEASE LEVER ASSY	
42	XC2434021	NEEDLE THREAD BLOCK		86	XC4465051	ADJUSTING PLATE ASSY	
43	012400432	SET SCREW, SOCKET (FT) M4 × 4		87	XC2501121	TENSION RELEASER C	
44	XC2435020	ZIGZAG ADJUSTING NUT		88	048030346	RETAINING RING, E3	



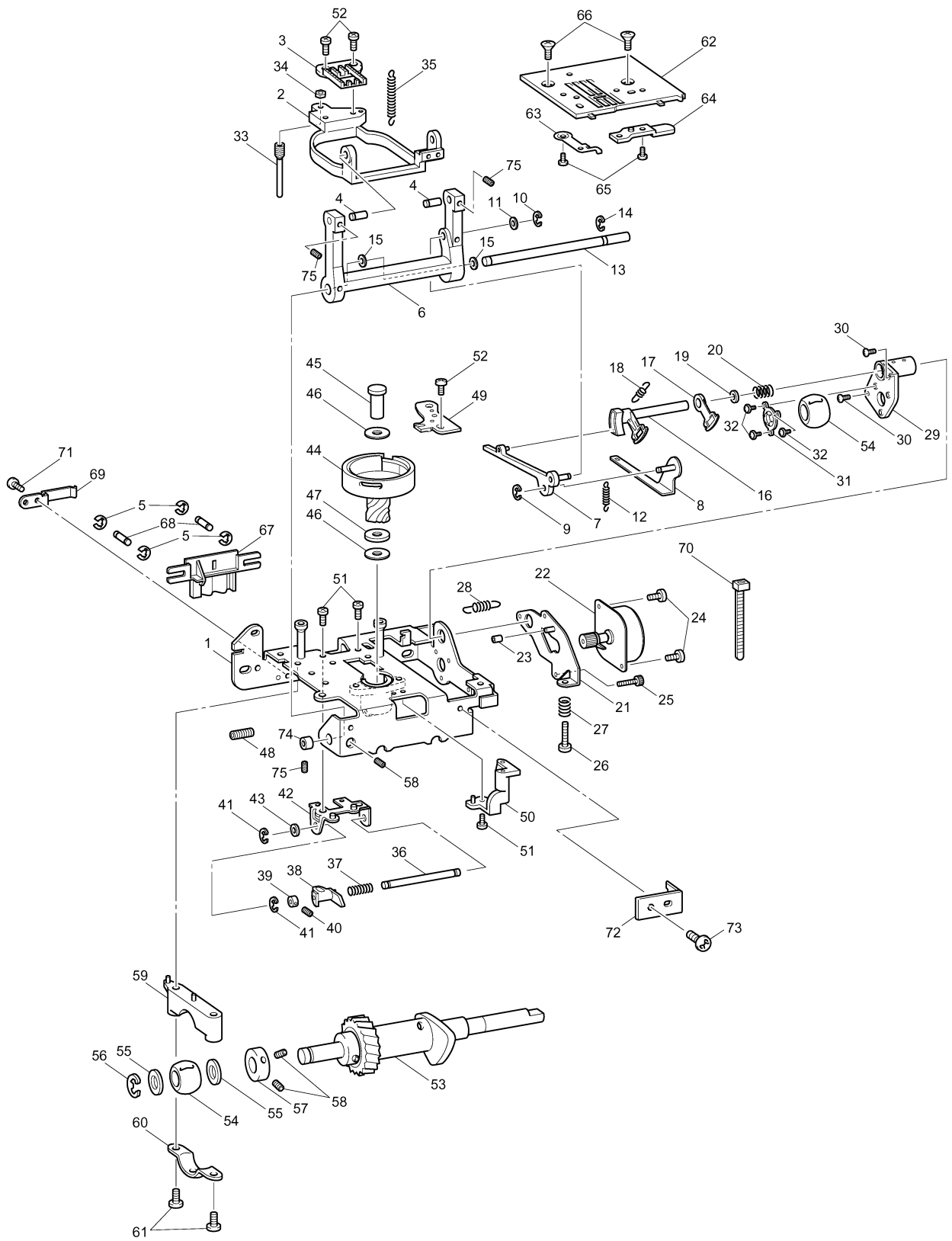
NEEDLE-PRESSER MODULE

No.	CODE	NAME	REMARKS
89	XC3588051	GIZA TITE 4 × 12	050191
90	XC3037051	SCREW3 × 10	040219
91	XC2475021	SHAFT	
92	048020346	RETAINING RING, E2	
93	XC3034020	THREAD GUIDE PLATE	
94	XC4467051	WIRE GUIDE PLATE U	
95	060400616	SCREW, BIND M4 × 6	
96	XC4468051	PRESSER DIAL	
97	XC4522051	PRESSER DIAL SHAFT ASSY	
98	XC4471050	PRESSER DIAL GEAR	
99	XC4472051	PLATE SPRING	
100	136681051	TAPTITE, BIND B M3 × 8	CHG
101	XZ0155051	POLYESTER SLIDER	
102	XC6241151	RELEASE PLATE ASSY	040225
103	XC6245051	NEEDLE BAR HOOK STAND ASSY	
104	XC6251051	RELEASE GUIDE PLATE	
105	060300616	SCREW, BIND M3 × 6	
106	XD1489051	SPRING	050228
107	XC6253050	RELEASE ADJUSTER	
108	0A6300606	SCREW,PAN(T WASHER)M3 × 6	
109	XC6254051	NEEDLE BAR PRESSER SPRING	
110	XC6255050	WASHER,THRUST	
111	048025346	RETAINING RING, E2.5	
112	XD0604050	SPRING GUARD	050068
	XC7192151	NEEDLE SUPPLY UNIT ASSY(EUROPE)	050019
	XC7192152	NEEDLE SUPPLY UNIT ASSY (U.S.A & CANADA)	050019



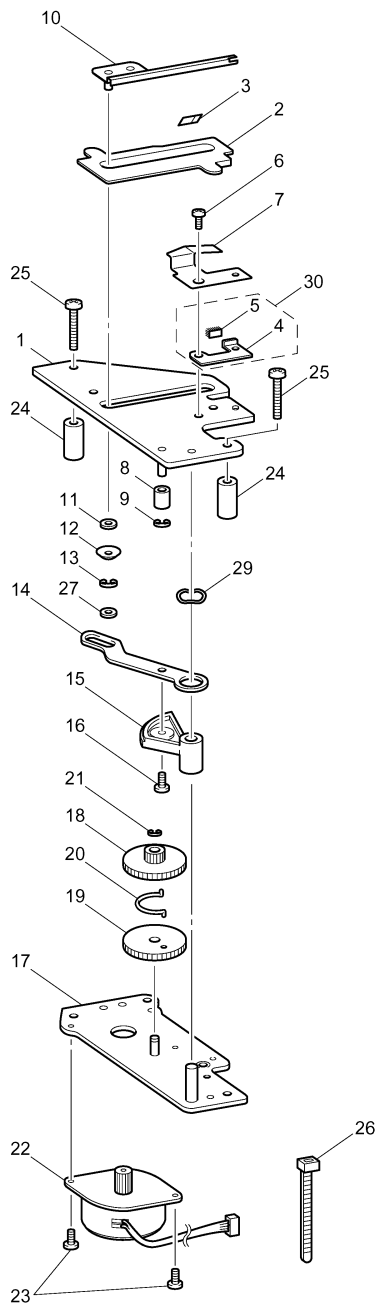
FEED MODULE

No.	CODE	NAME	REMARKS	No.	CODE	NAME	REMARKS
1	XC7638051	BASE PLATE	050050	45	XC2230051	OUTER ROTARY HOOK SHAFT	
2	XC2510021	FEED BAR		46	137805052	SPACER	
3	XC2511021	FEED DOG		47	137976051	WASHER 6	
4	XC2512051	FEED BAR SHAFT A	040142	48	014400632	SET SCREW, SOCKET (CP) M4 × 6	
5	048020346	RETAINING RING, E2		49	XC2555021	INNER ROTARY HOOK BRACKET ASSY	
6	XC8337021	FEED ARM A	050017	50	XZ0181121	STOPPER PLATE BLOCK ASSY	050249
7	XC2517021	FEED ARM B ASSY		51	060400516	SCREW, BIND M4 × 5	
8	XC2521021	FEED SUPPORTING PLATE ASSY		52	060300816	SCREW, BIND M3 × 8	
9	048020346	RETAINING RING, E2		53	XC2562121	LOWER SHAFT B ASSY	
10	048030346	RETAINING RING, E3		54	X52664050	LOWER SHAFT BUSHING	
11	137999050	POLYESTER SLIDER		55	X51383050	WASHER, THRUST	
12	XZ0174021	SPRING		56	048060346	RETAINING RING, E6	
13	XC7835051	HORIZONTAL FEED SHAFT	050017	57	137768151	SET SCREW COLLAR	
14	048050346	RETAINING RING, E5		58	014400432	SET SCREW, SOCKET (CP) M4 × 4	
15	X50546050	WASHER, THRUST		59	XC2566021	BUSHING SUPPORTER A	
16	XC2527021	FEED ADJUSTER		60	XC2567021	BUSHING PRESSER A	
17	XC2529020	F GEAR		61	060401616	SCREW, BIND M4 × 16	
18	XC2530021	SPRING		62	XC2569051	NEEDLE PLATE A	
19	137713050	POLYESTER SLIDER		63	XC2570121	STOPPER PLATE	050293
20	XC2531021	SPRING		64	XC2571021	F GEAR STOPPER PLATE	
21	XC2532021	FPM HOLDER ASSY		65	060260316	SCREW, BIND M2.6 × 3	
22	XC2534021	MOTOR,PULSE:F SMJ35-4840-C		66	X50487051	SCREW M4	
23	XC2587020	RUBBER	040131	67	XC2572021	DROP KNOB	
24	060300516	SCREW, BIND M3 × 5		68	XC2573051	SLIDE SHAFT B	040142
25	XC3338051	SCREW3 × 8	050231	69	XC2574021	SPRING PLATE	
26	018402532	BOLT, SOCKET M4 × 25		70	X53169050	BAND	
27	XC2537021	SPRING		71	060300416	SCREW, BIND M3 × 4	
28	XC2538021	SPRING					
29	XC2539021	BUSHING SUPPORTER ASSY			XC7191051	FEED SUPPLY UNIT ASSY (EUROPE)	ADD
30	060400616	SCREW, BIND M4 × 6			XC7191052	FEED SUPPLY UNIT ASSY (U.S.A & CANADA)	ADD
31	XC2542021	BUSHING PRESSER B					
32	060300516	SCREW, BIND M3 × 5					
33	XC3941051	VERTICAL ADJUSTER SCREW ASSY					
34	XC2546051	M5 NUT	CHG	72	XC8195051	SHAFT STOPPER PLATE	050017
35	XC2547021	SPRING		73	060300516	SCREW BIND M3 × 5	050017
36	XC8361051	VERTICAL FEED SHAFT	040085	74	130676151	SET SCREW COLLAR	050017
37	XC2550021	SPRING		75	014400432	SET SCREW, SOCKET (CP) M4 × 4	050017
38	XC2551020	VERTICAL LEVER					
39	XC2552051	SET SCREW COLLAR	040142				
40	014400432	SET SCREW, SOCKET (CP) M4 × 4					
41	048030346	RETAINING RING, E3					
42	XC7801021	VERTICAL SUPPORTING PLATE	040085				
43	137713050	POLYESTER SLIDER					
44	XC2210051	OUTER ROTARY HOOK ASSY					



THREAD CUTTER MODULE

No.	CODE	NAME	REMARKS
1	XC2576021	THREAD CUTTER FRAME ASSY	
2	XC2579020	SPACER	
3	X80321001	NT LOWER THREAD CUTTER	
4	XC2596021	PRESSER PLATE	DEL 050061
5	XD0118001	PILE 4 × 4	DEL 050061
6	060300416	SCREW, BIND M3 × 4	
7	XC2598120	SPRING PLATE	040150
8	XC2587050	RUBBER	050006
9	048030346	RETAINING RING, E3	
10	XC2583121	THREAD HOOK ASSY	050013
11	137713050	POLYESTER SLIDER	
12	X56731050	WASHER	
13	048040346	RETAINING RING, E4	
14	XC2581121	THREAD CUTTER LEVER	040089
15	XC2582020	THREAD CUTTER LEVER GEAR	
16	0A4300605	SCREW, PAN (S/P WASHER) M3 × 6	
17	XC2588121	MOTOR HOLDER ASSY	050111
18	XC2592020	IDLE GEAR A	
19	XC2593020	IDLE GEAR B	
20	X56323021	SPRING	
21	048020346	RETAINING RING, E2	
22	XC2331121	MOTOR PULSE:C SMJ35-4840-B	
23	060300416	SCREW, BIND M3 × 4	
24	XC2594051	COLLAR	040142
25	060402016	SCREW, BIND M4 × 20	
26	X53169050	BAND	
27	137713050	POLYESTER SLIDER	
28	XZ0147020	DUST COVER	DEL 040151
29	XC8407050	WAVE-SHAPE SPRING WASHER	040089
30	XC2595121	PRESSER PLATE ASSY	050061
	XC4480251	THREAD CUTTER SUPPLY ASSY (EUROPE)	050013
	XC4480252	THREAD CUTTER SUPPLY ASSY (U.S.A & CANADA)	050013



NX600
26F03HF882S64