

PARTS CATALOGUE FOR
COMPUTERIZED SEWING MACHINE

NX200
NX200LE
NX200QE

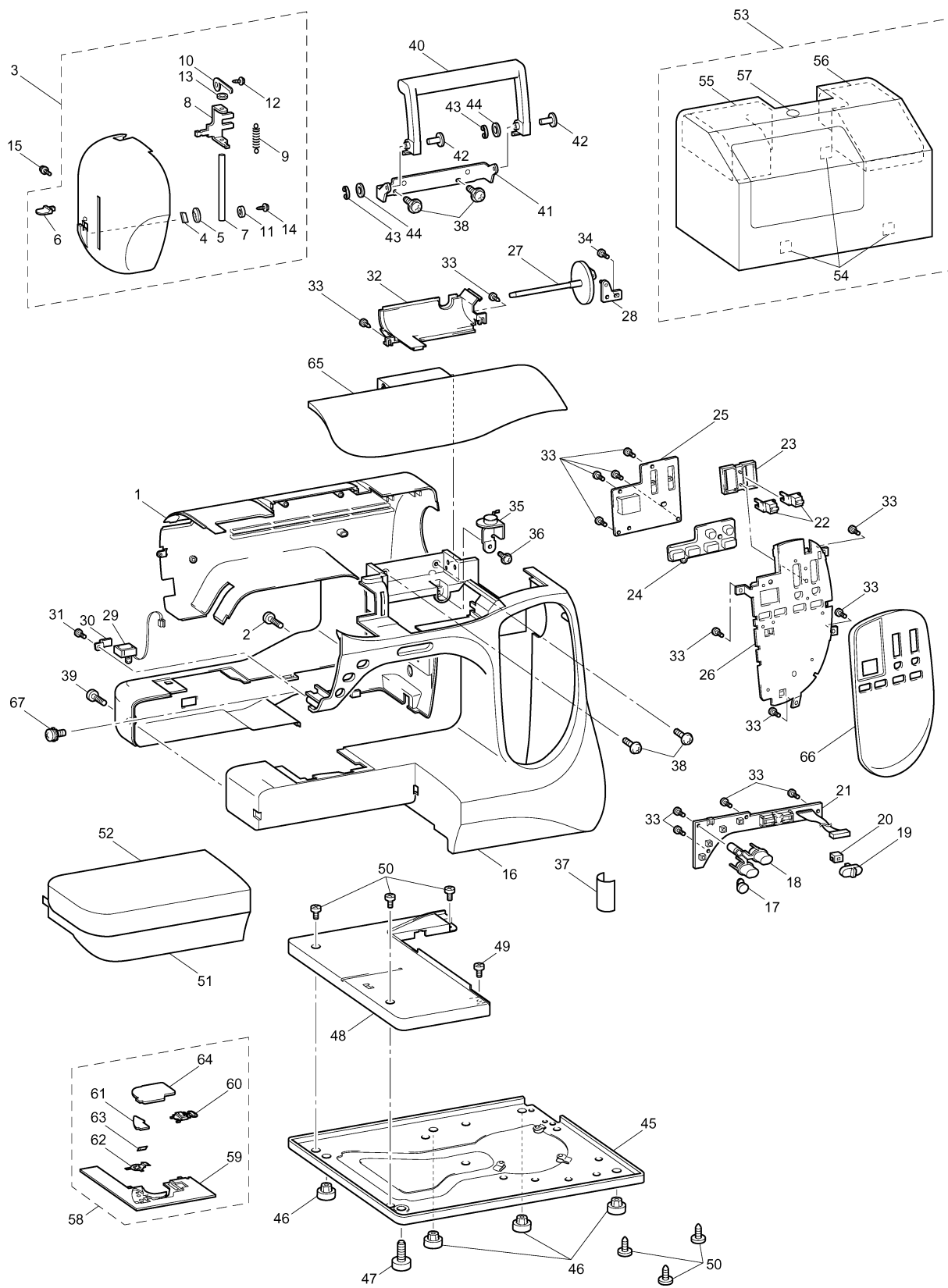
4. 2003.
7. 2004.

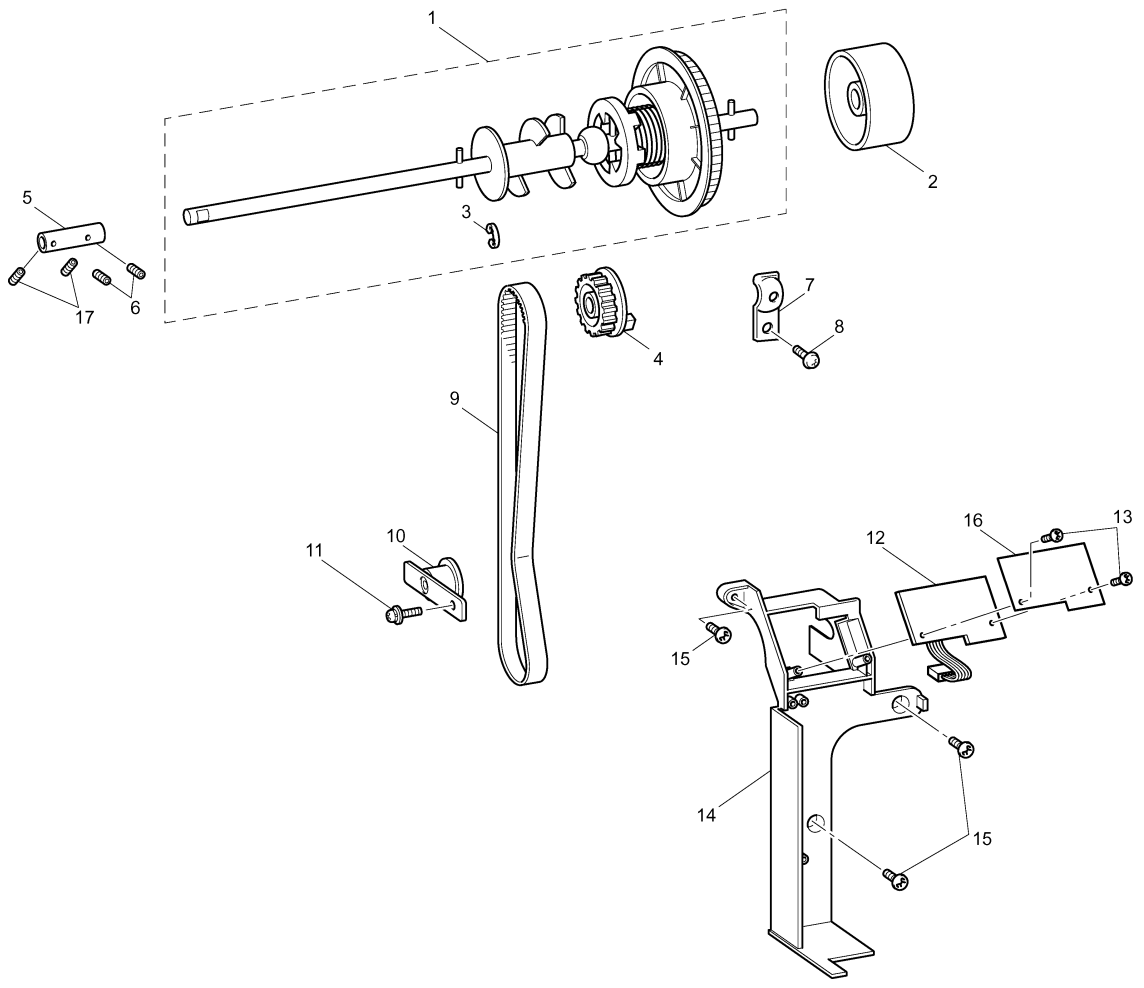
CONTENTS

(1) PRINCIPAL PARTS.....	2
(2) UPPER SHAFT MECHANISM.....	4
(3) NEEDLE BAR, PRESSER / FEED, ROTARY HOOK MECHANISM	6
(4) ROTARY HOOK DRIVE / BOBBIN WINDER MECHANISM	8
(5) THREAD GUIDE MECHANISM.....	10
(6) ELECTRONIC PARTS / MOTOR UNIT	12
(7) ATTACHMENTS / PRINTED MATTER / PACKING MATERIALS.....	14
NEEDLE-PRESSER MODULE.....	16
FEED MODULE	20

(1) PRINCIPAL PARTS

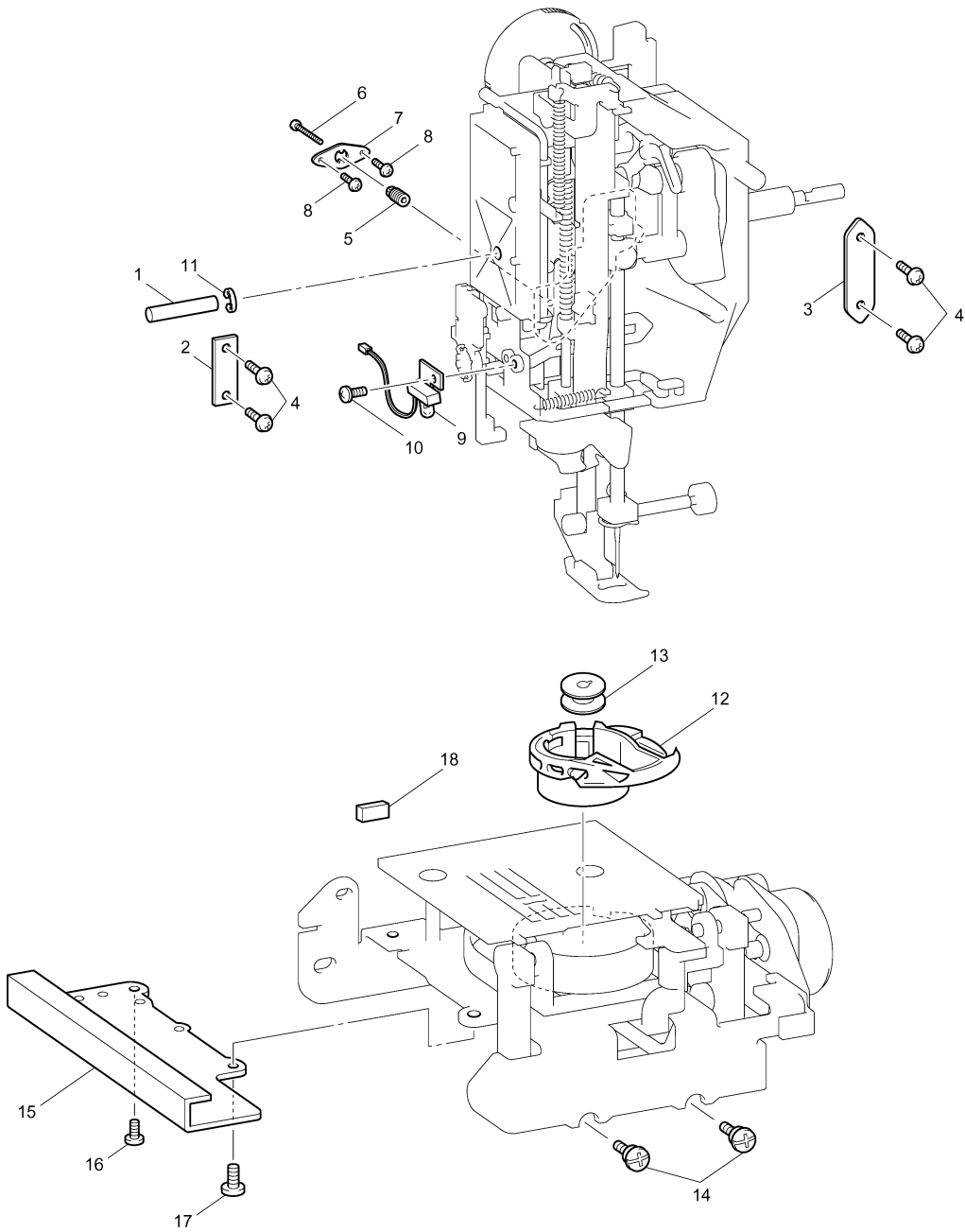
No.	CODE	NAME	REMARKS	No.	CODE	NAME	REMARKS
1	XC4617152	REAR COVER	CHG	45	XC2353051	BASE PLATE	
2	060400816	SCREW, BIND M4 × 8		46	XA1805051	BASE RUBBER A	
3	XC2306052	FACE PLATE		47	XA4687051	REGULATOR ADJUSTING SCREW ASSY	
4	X80321001	NT LOWER THREAD CUTTER		48	XC2354051	BASE PLATE COVER	
5	138384051	RETAINING RING,CS5		49	060300516	SCREW, BIND M3 × 5	
6	XC2747051	NEEDLE THREAD LEVER KNOB		50	X57908051	TAPTITE,BIND S M4 × 10	
7	XA5825051	NEEDLE THREAD LEVER SHAFT		51	XC2358251	ACCESSORY TABLE	CHG
8	XC3039051	NEEDLE THREAD LEVER		52	XC2359052	ACCESSORY TABLE DOOR	
9	138260051	THREAD THROUGH LEVER SPRING		53	XC2360252	CASE ASSEMBLY	CHG
10	XA6320050	SHAFT PRESSER PLATE		54	125440050	CASE FELT	
11	XA5525051	WASHER,PLAIN		55	XC2702250	HEAD SUPPORT SF-L	CHG
12	138433051	TAPTITE,PAN B M3 × 6		56	XC2703050	HEAD SUPPORT SF-R	
13	XC0508050	RUBBER WASHER		57	XZ0161051	BLIND PLATE	
14	X59629051	TAPTITE,BIND B M3 × 10		58	XC2364051	NEEDLE PLATE B ASSY	040139
15	052401406	SCREW PAN (S/P WASHER) M4 × 14		59	XC2365051	NEEDLE PLATE B	
16	XC3156253	FRONT COVER	CHG	60	XC2366151	SLIDE BUTTON	CHG
17	XC2312053	SS-BUTTON		61	XD1666051	CUTTER COVER	050250
18	XC2313051	REVERSE BUTTON		62	XD1461051	NEEDLE PLATE COVER SPRING	050272
19	XC2315051	SV KEYTOP		63	X80321001	NT LOWER THREAD CUTTER	
20	XC2316150	SV JOINT PLATE	050016	64	XD1645051	NEEDLE PLATE COVER SUPPLY ASSY	050259
21	XC3089151	PCB ASSY:SS-VR F1	CHG	65	XC2304063	TOP COVER (U.S.A., CANADA)	
22	XC2323151	VR KEYTOP			XC2304064	TOP COVER	
23	XC2324051	VR KEYTOP COVER		66	XC5167051	INDICATION PLATE ASSY F0	
24	XC4818051	RUBBER KEY F0		67	XC4433051	SCREW,PAN(T WASHER)M3 × 6	
25	XC4792151	PCB ASSY:OPERATION F0	CHG				
26	XC4816051	OPERATION PCB HOLDER				NEW SPEC	
27	XA1786053	SPOOL PIN		65	XC2304073	TOP COVER (NX200LE)	ADD
28	XC2337051	SPOOL PIN HOLDER ASSY			XC2304074	TOP COVER (NX200QE)	ADD
29	XC2339151	PCB UNIT:LED LAMP-FR	CHG	66	XC5167053	INDICATION PLATE ASSY F0 (NX200LE, NX200QE)	ADD
30	XC7081051	LAMP HOLDER SUPPORTER	CHG				
31	X57372051	TAPTITE,PAN B M2.6 × 8	050010				
32	XC2346051	THREAD BOBBIN COVER					
33	136681051	TAPTITE, BIND B M3 × 8					
34	087311015	TAPTITE, CUP B M3 × 10					
35	XC2620051	BOBBIN WINDER GUIDE ASSY					
36	XA8390051	SCREW					
37	XZ0143050	SSVR INSULATION SHEET					
38	085411416	TAPTITE, BIND B M4 × 14	CHG				
39	XA3337052	TAPTITE,CUP P M4 × 20					
40	XC2348051	HANDLE					
41	XC2349051	HANDLE HOLDER					
42	XC2350051	HANDLE SHAFT					
43	048040346	RETAINING RING, E4					
44	137713050	POLYESTER SLIDER					





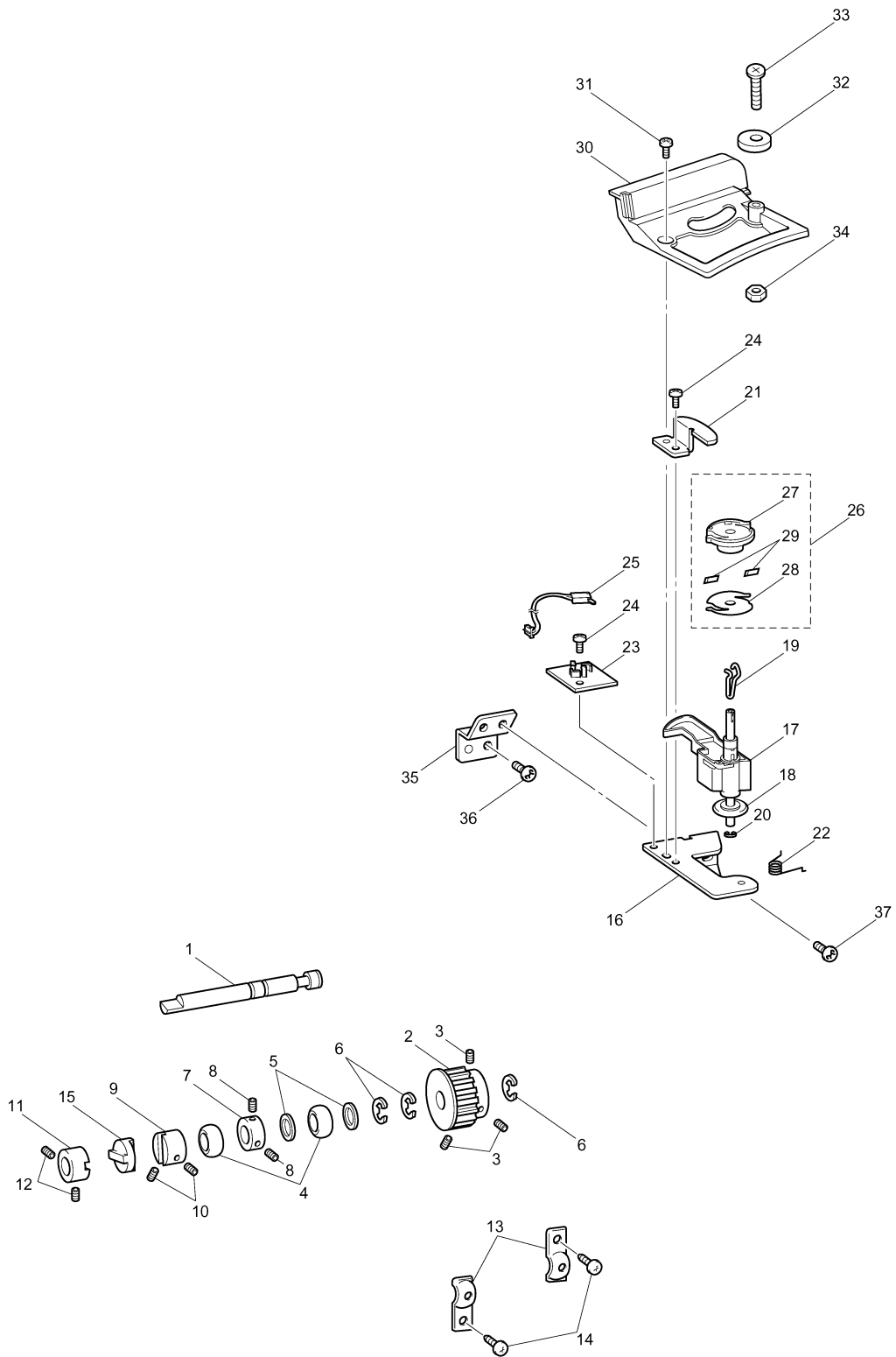
(3) NEEDLE BAR, PRESSER / FEED, ROTARY HOOK MECHANISM

No.	CODE	NAME	REMARKS
NEEDLE BAR, PRESSER MECHANISM			
1	XC2503051	SHAFT	
2	XC2297051	PRESSER PLATE A	
3	XC2298051	PRESSER PLATE B	
4	X57908051	TAPTITE,BIND S M4 × 10	
5	XC2504050	ADJUSTING SCREW	
6	XZ0380051	SCREW, PAN (WASHER) M3 × 18	CHG
7	XC2505050	PLATE SPRING	
8	060400516	SCREW, BIND M4 × 5	
9	XC2484151	PCB UNIT:LED LAMP-FL	CHG
10	XZ0149051	TAPTITE,PAN B 4 × 12	
11	048050346	RETAINING RING, E5	
FEED / ROTARY HOOK MECHANISM			
12	XC3153051	INNER ROTARY HOOK ASSY	
13	X52800150	BOBBIN	
14	XC3096051	SCREW M4	
15	XC4033151	GUIDE PLATE	CHG
16	060400516	SCREW, BIND M4 × 5	
17	060300516	SCREW, BIND M3 × 5	
18	XZ0160051	SHEET	



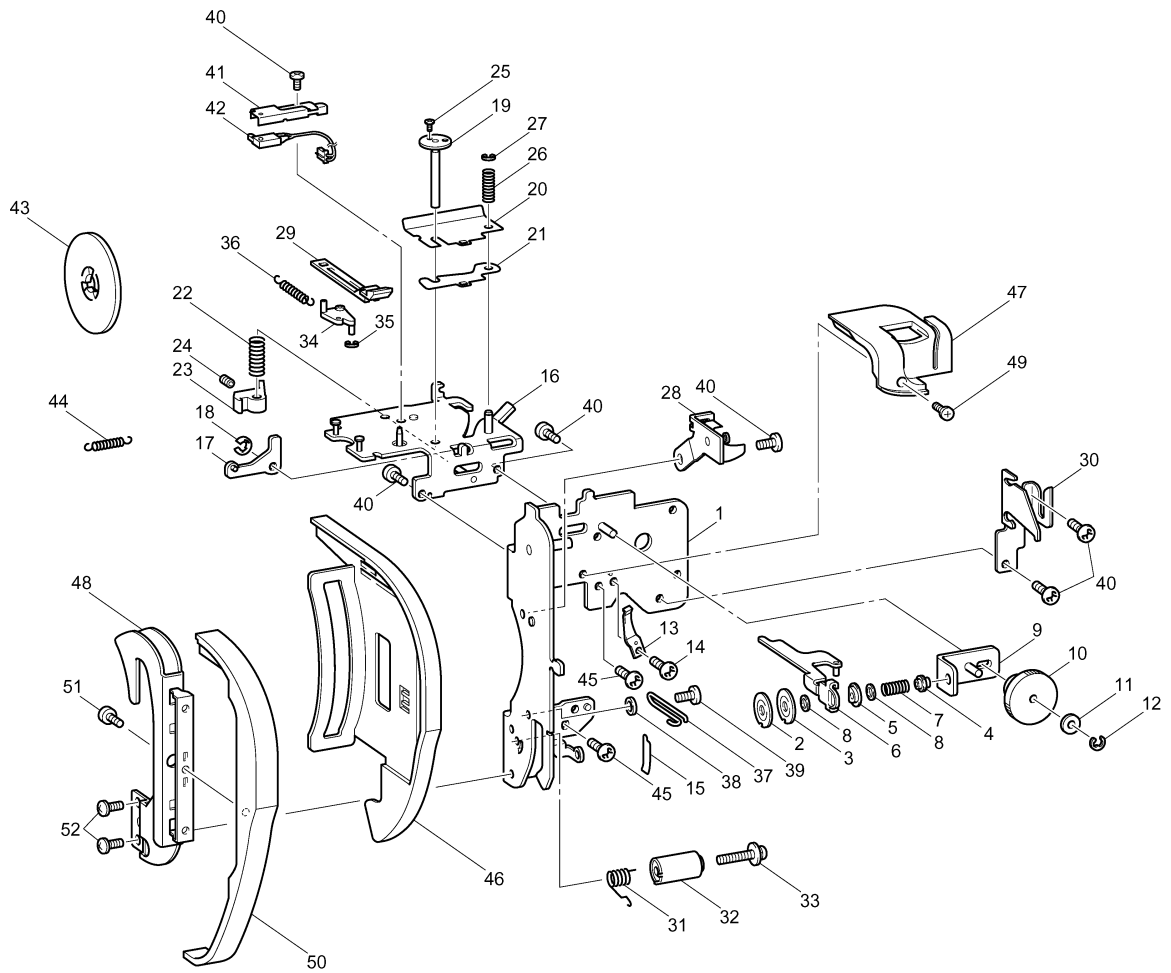
(4) ROTARY HOOK DRIVE / BOBBIN WINDER MECHANISM

No.	CODE	NAME	REMARKS
ROTARY HOOK DRIVE MECHANISM			
1	XC2600050	LOWER SHAFT A	
2	XC2601051	TIMING PULLEY D	
3	014500532	SET SCREW, SOCKET (CP) M5 × 5	
4	X52664050	LOWER SHAFT BUSHING	
5	X51383050	WASHER, THRUST	
6	048060346	RETAINING RING, E6	
7	137768151	SET SCREW COLLAR	
8	014400432	SET SCREW, SOCKET (CP) M4 × 4	
9	XC2602051	JOINT	
10	012500532	SET SCREW, SOCKET (FT) M5 × 5	
11	XC2602051	JOINT	
12	012500532	SET SCREW, SOCKET (FT) M5 × 5	
13	132421051	BUSHING PRESSER	
14	X57908051	TAPTITE, BIND S M4 × 10	
15	XC2603050	DISK	
BOBBIN WINDER MECHANISM			
16	XC2605051	BOBBIN WINDER ASSEMBLY HOLDER	
17	XC2606251	BW SHAFT HOLDER ASSEMBLY	050289
18	X55238051	RUBBER RING	
19	125928050	BOBBIN WINDER SHAFT SPRING	
20	048050343	RETAINING RING, E5	050058
21	XA2862051	BOBBIN WINDER SHAFT STOPPER	
22	XZ0070051	BOBBIN WINDER SPRING	
23	XC2614051	SW ADJUST PLATE	
24	060300616	SCREW, BIND M3 × 6	
25	XC2612051	SW ASSY: BW-F	
26	XC4672051	BOBBIN BASE ASSY	
27	XC2616051	BOBBIN BASE	
28	XA5877051	BOBBIN THREAD CUTTER HOLDER	
29	X80321001	NT LOWER THREAD CUTTER	
30	XC2618051	BOBBIN WINDER COVER	
31	XA8390051	SCREW	
32	XC4517051	BOBBIN PRESSER	
33	0A4302506	SCREW, PAN (S/P WASHER) M3 x 25	CHG
34	021300205	NUT 2 M3	050171
35	XC2615051	BW HOLDER SUPPORTER	
36	X57908051	TAPTITE, BIND S M4 × 10	
37	060400816	SCREW, BIND M4 × 8	



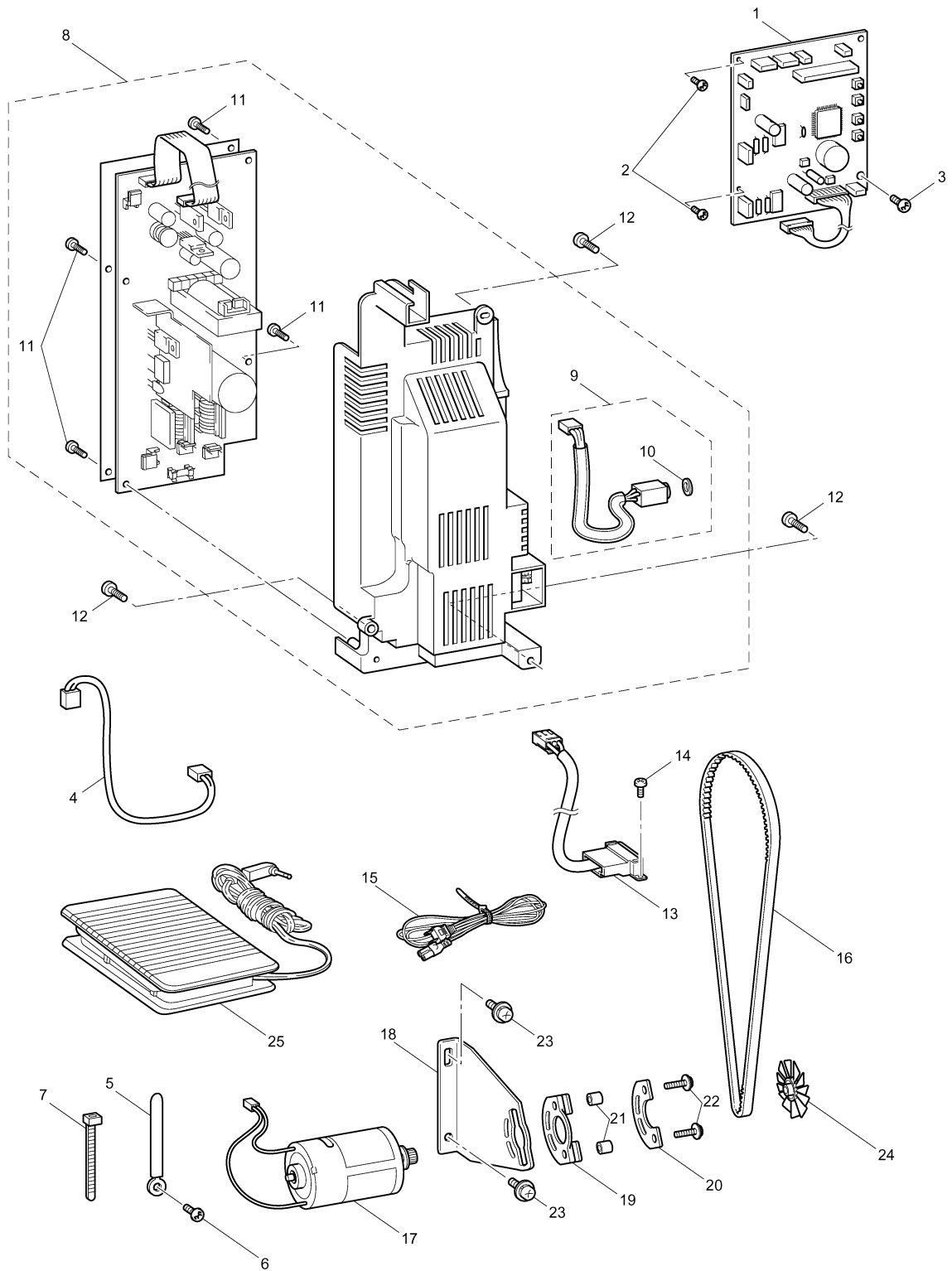
(5) THREAD GUIDE MECHANISM

No.	CODE	NAME	REMARKS	No.	CODE	NAME	REMARKS
1	XC2624351	THREAD GUARD ASSEMBLY	050065	45	085411015	TAPTITE, BIND B M4 × 10	
2	XA0083051	TENSION DISC A		46	XC2652152	THREAD GUIDE COVER	
3	XC2626051	TENSION DISC B		47	XC2655053	FRONT THREAD GUARD COVER	
4	XC3437051	TENSION ADJUSTING SCREW		48	XC4203251	THREAD GUIDE ASSY	CHG
5	XA1388051	TENSION DISC WASHER		49	060300416	SCREW, BIND M3 × 4	
6	XC2627051	TENSION RELEASE PLATE ASSY		50	XC2659052	THREAD GUIDE COVER	
7	XA9900051	THREAD TENSIONS PRING		51	138433051	TAPTITE, PAN B M3 × 6	CHG
8	XD0573051	WASHER	050053	52	052300606	SCREW, PAN (S/P WASHER) M3 × 6	
9	XC2629051	TENSION PLATE ASSY F2					
10	XC2630054	THREAD TENSION DIAL					
11	137999050	POLYESTER SLIDER					
12	048030346	RETAINING RING, E3					
13	XC2633051	SPRING PLATE					
14	060300416	SCREW, BIND M3 × 4					
15	XA9935050	SPRING TAPE					
16	XC2635151	TENSION RELEASE HOLDER ASSY	040224				
17	XA9571051	TENSION RELEASERLINK					
18	048030346	RETAINING RING, E3					
19	XC2638151	TENSION PRESSURE ASSY	050279				
20	XA9575051	TENSION PLATE					
21	XA9576051	SPACER					
22	XA9577051	SPRING					
23	XC2640051	TENSION RELEASE CAM					
24	012300432	SET SCREW, SOCKET (FT) M3 × 4					
25	X57363051	POWER LOCK 2 × 3					
26	X57605051	SPRING					
27	048020346	RETAINING RING, E2					
28	XC2644051	PLATE ASSEMBLY					
29	XC2647051	THREAD GUIDE SHUTTER					
30	XC2749051	THREAD GUIDE					
31	XZ0145051	THREAD TAKE UP SPRING					
32	XC2648051	THREAD CATCHING SPRING CASE					
33	0A4301806	SCREW, PAN S/P WASHER M3 × 18					
34	XC2649050	THREAD GUIDE SHUTTER LINK					
35	048030346	RETAINING RING, E3					
36	XC2650051	SPRING					
37	XC2651050	THREAD GUIDE WIRE					
38	XA9996051	WASHER,PLAIN					
39	XC7564051	SCREW, PAN (S/P WASHER) M3 × 6	050288				
40	060300416	SCREW, BIND M3 × 4					
41	XC2641051	PRESSER SWITCH HOLDER					
42	XC2642051	SW ASSY:PF-F					
43	X55260153	SPOOL PRESSER C					
44	XA9787051	SPRING					



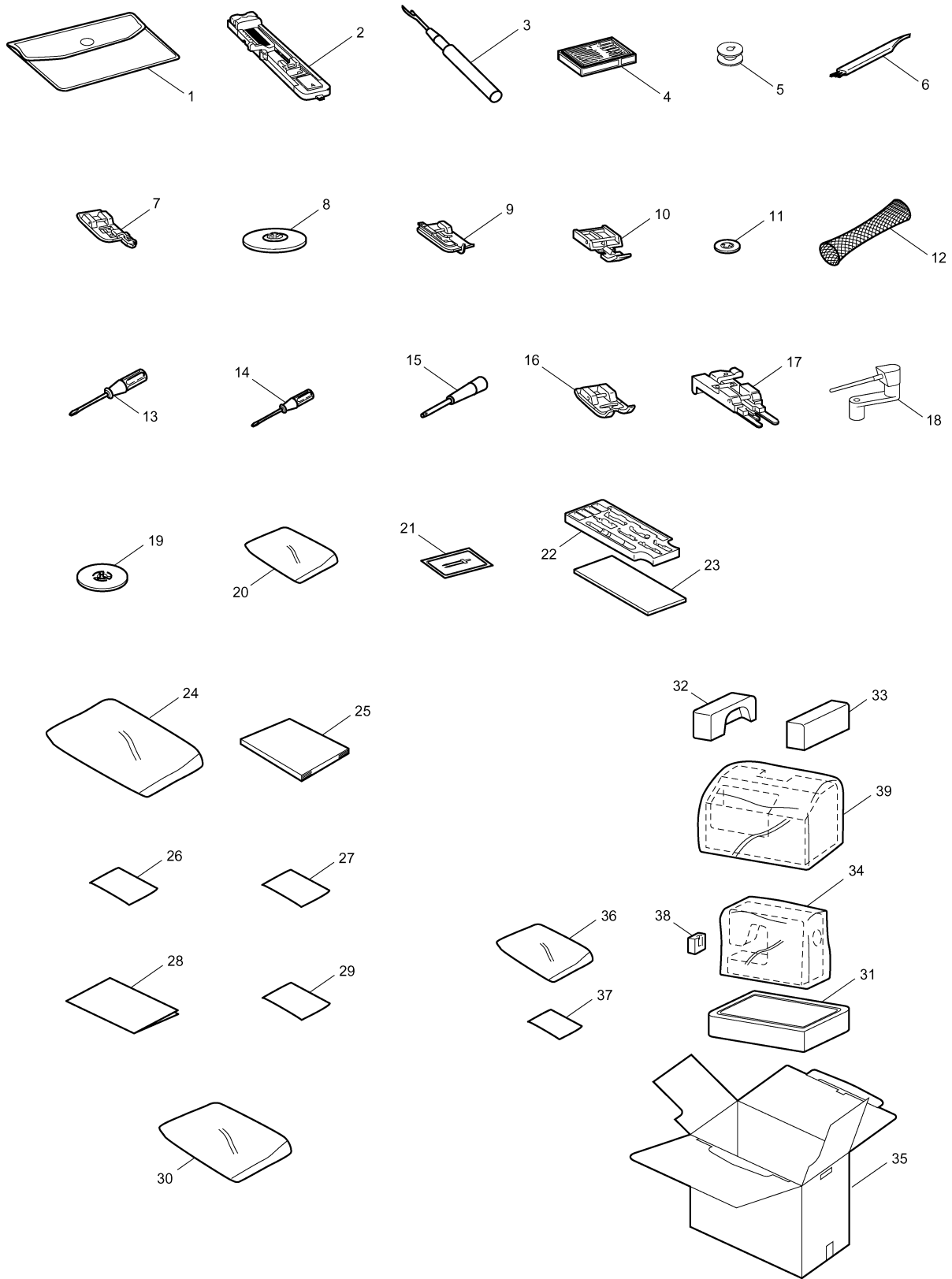
(6) ELECTRONIC PARTS / MOTOR UNIT

No.	CODE	NAME	REMARKS
ELECTRONIC PARTS			
1	XC4791251	PCB ASSY:MAIN F0-B	CHG
2	136681051	TAPTITE, BIND B M3 × 8	
3	060400816	SCREW, BIND M4 × 8	
4	XC2672051	LEAD ASSY:BH CABLE-F	
5	XA0286051	WIRE CLIP	
6	X57908051	TAPTITE,BIND S M4 × 10	
7	X53169050	BAND	
8	XD0471151	POWER SUPPLY UNIT F120 (U.S.A., CAN)	050256
	XC2675351	POWER SUPPLY UNIT,F	050158
9	XC4488051	FC JACK-F SUPPLY ASSY	CHG
10	X51271001	NUT	
11	136681051	TAPTITE, BIND B M3 × 8	
12	052401406	SCREW PAN (S/P WASHER) M4 × 14	
13	XC4412051	INLET ASSY:F1D-US (U.S.A., CANADA)	
	XC4417051	INLET ASSY:F1D-EU (EUROPE)	
14	060400616	SCREW, BIND M4 × 6	
15	XC6052051	POWER SUPPLY CORD:UL CSA-LF (U.S.A., CANADA)	CHG
	XA0070151	POWER SUPPLY CORD (EUROPE)	
	X59354151	POWER SUPPLY CORD-BS, (U.K.)	CHG
	XC9548051	POWER SUPPLY CORD : SAA-LF (AUS)	040186
MOTOR UNIT			
16	XC2685051	T BELT494-2GT-6	
17	XC2687051	ASSY:MAIN MOTOR-F	
18	XC2690051	MOTOR HOLDER	
19	XA9649050	FENDER RUBBER	
20	XA9650051	MOTOR SPACER PRESSER	
21	XC3027051	SPACER 4 × 6	
22	XC7568051	SCREW PAN (S/P WASHER) M4 × 14	040227
23	XA8474051	UPSET 4 × 12 DB	
24	XA9652150	MOTOR FAN	
25	XC6651151	FOOT CONTROLLER:FC-313-81-LF	
	XD0496051	FOOT CONTROLLER:FC-313-LF-EU	050033



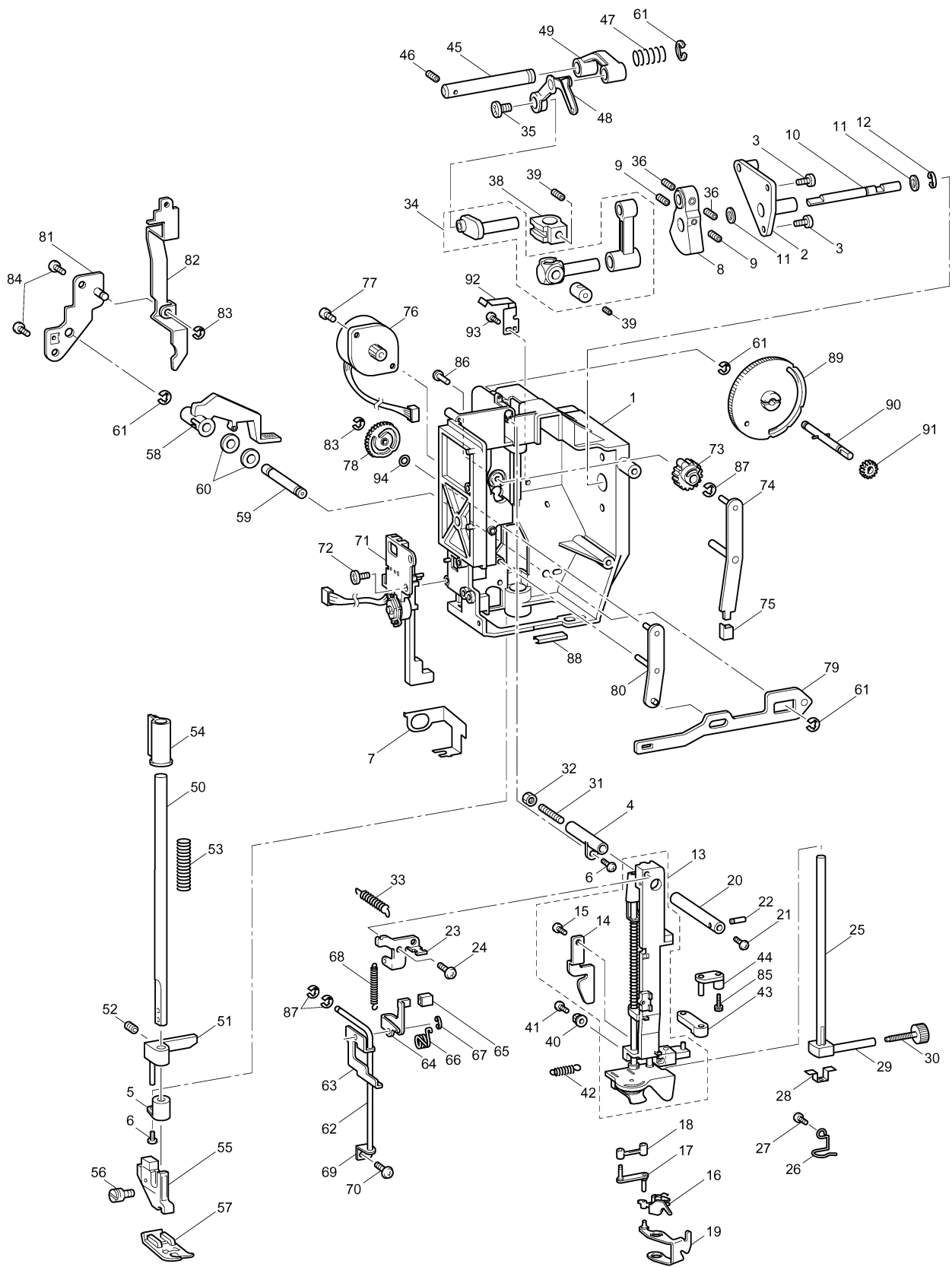
(7) ATTACHMENTS / PRINTED MATTER / PACKING MATERIALS

No.	CODE	NAME	REMARKS	No.	CODE	NAME	REMARKS
ATTACHMENTS				PACKING MATERIALS			
1	XC4487051	ACCESSORY BAG		31	XC2704250	BODY SUPPORT SF	050305
2	XC2691053	BH PRESSER FOOT ASSY	050110	32	XC2705150	CASE SUPPORT	050310
3	X54243001	SEAM RIPPER		33	XC2706150	CASE SUPPORT SF-R	050312
4	X58358051	Z NEEDLE ASSY		34	X60439151	BAG,630 × 630T	
5	X52800150	BOBBIN		35	XC4623054	CARTON	
6	X59476051	CLEANING BRUSH			XC4623053	CARTON (U.S.A., CANADA)	
7	XC3098051	OVERCASTING STITCH FOOT ASSY		36	XC4515050	BAG, BUBBLE PACK 250 × 250	
8	130012054	SPOOL PRESSER A		37	X57847051	PLUG LABEL (U.K.)	
9	X56409051	BLIND STITCH FOOT ASSY		38	XC4762250	THREADER SUPPORT SF	050294
10	X59370051	ZIPPER FOOT		39	X61319051	BAG,750 × 600H	
11	130013154	SPOOL PRESSER B		NEW SPEC			
12	XA5523050	NET			XA4322001	QUILTING FOOT (NX200QE)	ADD
13	X55467051	SCREW DRIVER			X59816101	WALKING FOOT ASSEMBLY (NX200QE)	ADD
14	X55468051	SCREW DRIVER S			XA3805051	1/4' QUILTING FOOT (NX200QE)	ADD
15	135793001	PUNCH	CHG		XC2067051	USER'S MANUAL (1/4' QUILTING FOOT: NX200QE)	ADD
16	X53840351	TRANSPARENCY PRESSER FOOT		35	XC9114051	CARTON ASSY (NX200QE)	ADD
17	130489001	BUTTONING FOOT		25	XC7201151	INSTRUCTION BOOK (Russian)	050192
18	XC4654051	EXTRA SPOOL PIN ASSY		26	XD1122051	EEU WARRANTY CARD	050198
19	X55260153	SPOOL PRESSER C					
20	X57367051	BAG,135 × 150					
21	X59296151	TWIN NEEDLE (1PC)					
22	XC4489051	ACCESSORY TRAY					
23	XC4490050	SPONGE					
24	XA0188050	BAG					
PRINTED MATTER							
25	XC4665051	INSTRUCTION BOOK (English)					
	XC4666051	INSTRUCTION BOOK (French)					
	XC4667051	INSTRUCTION BOOK (German)					
	XC4668051	INSTRUCTION BOOK (Dutch)					
	XC4669051	INSTRUCTION BOOK (Spanish)					
	XC4670051	INSTRUCTION BOOK (Italian)					
	XC7374051	INSTRUCTION BOOK (Danish)	ADD				
26	XC8945051	WARRANTY CARD T (U.S.A.)	CHG				
	UH3851001	WARRANTY CARD EUR (EUROPE)					
	XA6351151	WARRANTY CARD (ITALY)					
	XC6402051	WARRANTY CARD (U.K.)	ADD				
27	181401137	INSERTION WARRANTY COUPON (U.K.)					
	181401172	INSERTION WARRANTY COUPON (CANADA)					
28	XC4546151	QUICK REFERENCE GUIDE	CHG				
29	XC4545051	CAUTION SHEET					
30	130800051	BAG,220 × 310					
	XC7460051	ACCESSORY LEAFLET	ADD				



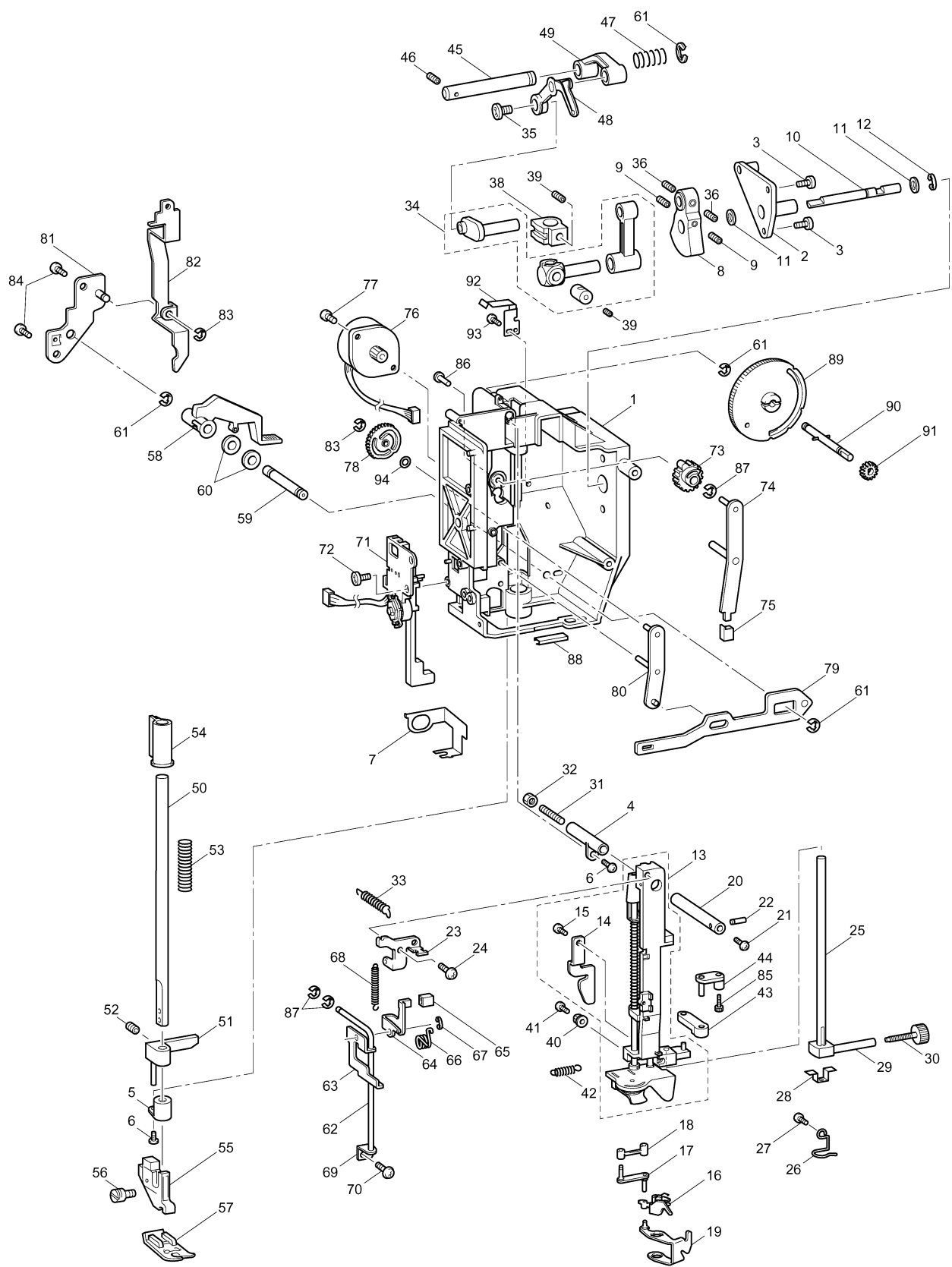
NEEDLE-PRESSER MODULE

No.	CODE	NAME	REMARKS	No.	CODE	NAME	REMARKS
1	XC2394421	UPPER UNIT HOLDER	050104	45	XC2440051	SHAFT	040142
2	XZ0177021	SHAFT BUSHING ASSEMBLY	CHG	46	014300532	SET SCREW, SOCKET (CP) M3 × 5	
3	XC7568051	SCREW,PAN (S/P WASHER) M4 × 14	040227	47	XC2441021	SPRING	
4	XC2398020	SHAFT BUSHING A		48	XC2442151	THREAD TAKE-UP LEVER	CHG
5	XC2399021	PRESSER BAR BUSHING		49	XC2443020	THREAD TAKE-UP LEVER LINK	
6	136681051	TAPTITE, BIND B M3 × 8	CHG	50	XC2444021	PRESSER BAR	
7	XC5362050	PLATE SPRING	CHG	51	XC2445021	PRESSER BAR CLAMP ASSY	CHG
8	XC2400021	THREAD TAKE-UP COUNTER WEIGHT		52	014501032	SET SCREW,SOCKET(CP)M5 × 10	
9	012500532	SET SCREW, SOCKET (FT) M5 × 5		53	XC4457051	SPRING	
10	XC2401021	UNIT SHAFT		54	XC4458050	PRESSER SPRING SUPPORTER	
11	132434050	WASHER		55	XC3015051	PRESSER FEED HOLDER ASSY	CHG
12	048060346	RETAINING RING, E6		56	XA4813051	SCREW	
13	XC2402152	NEEDLE BAR SUPPORTER ASSY	050263	57	XC3021051	Z FOOT	
14	XC2418020	HOOK RELEASE PLATE		58	XC2451021	PRESSER FOOT LIFTER	
15	060260516	SCREW, BIND M2.6 × 5		59	XC2452051	PRESSER LIFT SHAFT	040142
16	XD1550051	THREADER HOOK ASSY	050263	60	XA1860150	WASHER	
17	XD1546051	LINK A ASSY	050298	61	048040346	RETAINING RING, E4	
18	XD1548051	LINK B	050298	62	XC2453051	LEVER GUIDE SHAFT	040142
19	XC2415021	THREAD GUIDE ASSY		63	XC2455021	LEVER A ASSY	
20	XC2419021	SHAFT		64	XC2458021	LEVER B	
21	000020415	SCREW,BIND M2 × 4		65	XC2459020	CAP	
22	XC2420050	SHAFT	040142	66	XC2460021	TORSION SPRING	
23	XC2421121	PLATE	CHG	67	048030346	RETAINING RING, E3	
24	060300516	SCREW, BIND M3 × 5		68	XC2461021	SPRING	
25	XC2423051	NEEDLE BAR	CHG	69	XC2462021	LEVER PRESSER PLATE	
26	XC2424021	NEEDLE BAR THREAD GUIDE		70	138433051	TAPTITE, BIND B M3 × 6	CHG
27	X53053052	SCREW SM2.38		71	XC2463121	BH SWITCH ASSY	
28	XC2426020	NEEDLE THREAD PLATE		72	XZ0149051	TAPTITE,PAN B 4 × 12	
29	XC2427051	NEEDLE BROCK		73	XC2474020	Z ZIGZAG CAM	
30	XC2428051	NEEDLE CLAMP SCREW	040142	74	XC2476021	Z ZIGZAG LEVER ASSY	
31	014401232	SET SCREW, SOCKET (FT) M4 × 12		75	XC2480020	Z LEVER CUP	
32	X56851051	LOCK NUT		76	XC2481051	MOTOR,PULSE:Z SMJ35-4840-A	CHG
33	XC2429021	SPRING		77	X59629051	SCREW, BIND B TITE 3 × 10	CHG
34	XZ0152051	NEEDLE BAR CRANK ROD ASSY		78	XC2483020	T CAM	
35	132051052	SCREW, FLAT SM3.57-40 × 7 L		79	XC2491021	THREAD RELEASER ASSY	
36	012500532	SET SCREW, SOCKET (FT) M5 × 5		80	XC2494021	THREAD RELEASE LEVER ASSY	
37	014400432	SET SCREW, SOCKET (CP) M4 × 4	DEL	81	XC2498021	ADJUSTING PLATE ASSY	
38	XC2434021	NEEDLE THREAD BLOCK		82	XC2501121	TENSION RELEASER C	
39	012400432	SET SCREW, SOCKET (FT) M4 × 4		83	048030346	RETAINING RING, E3	
40	XC2435020	ZIGZAG ADJUSTING NUT		84	XC3588051	GIZA TITE 4 × 12	050191
41	018301032	BOLT,SOCKET M3 × 10		85	XC3037051	SCREW3 × 10	040219
42	XC2748021	SPRING-Z		86	XC2475051	SHAFT	040142
43	XC2436021	NEEDLE HOLDER BROCK		87	048020346	RETAINING RING, E2	
44	XC2437021	SHAFT ASSY		88	XC3034020	THREAD GUIDE PLATE	



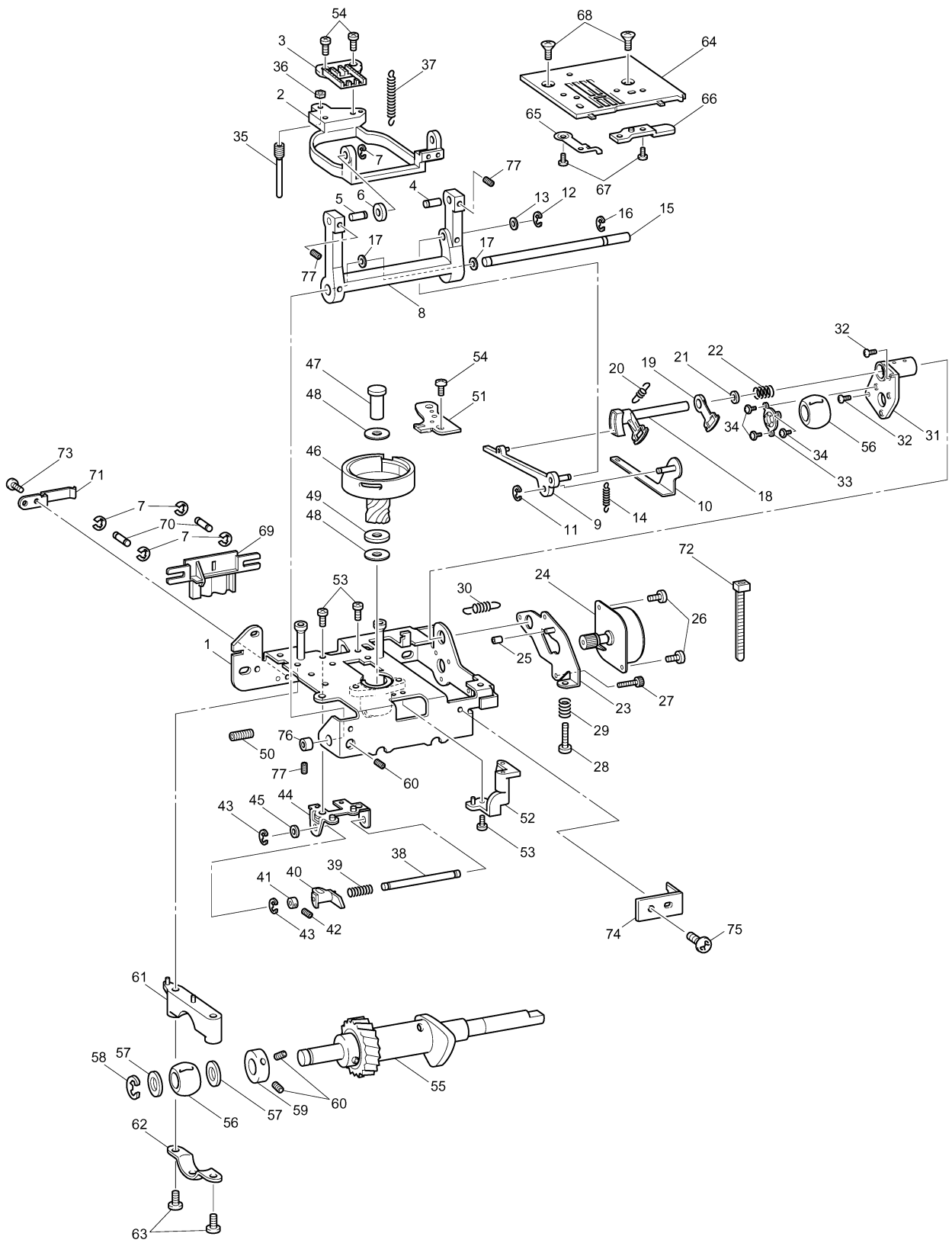
NEEDLE-PRESSER MODULE

No.	CODE	NAME	REMARKS
89	XC4468051	PRESSER DIAL	
90	XC4522051	PRESSER DIAL SHAFT ASSY	
91	XC4471050	PRESSER DIAL GEAR	
92	XC4472051	PLATE SPRING	
93	136681051	TAPTITE, BIND B M3 × 8	CHG
94	XZ0155051	POLYESTER SLIDER	ADD
	XC4478151	NEEDLE SUPPLY UNIT ASSY(EUROPE)	050019
	XC4478152	NEEDLE SUPPLY UNIT ASSY (U.S.A & CANADA)	050019



FEED MODULE

No.	CODE	NAME	REMARKS	No.	CODE	NAME	REMARKS
1	XC7638051	BASE PLATE	050050	45	137713050	POLYESTER SLIDER	
2	XC2510021	FEED BAR		46	XC2210051	OUTER ROTALY HOOK ASSY	
3	XC2511051	FEED DOG	CHG	47	XC2230051	OUTER ROTARY HOOK SHAFT	
4	XC2512051	FEED BAR SHAFT A	040142	48	137805052	SPACER	
5	XC2513051	FEED BAR SHAFT B	040142	49	137976051	WASHER 6	
6	XC2514021	FEED BAR SPACER		50	014400632	SET SCREW, SOCKET (CP) M4 × 6	
7	048020346	RETAINING RING, E2		51	XC2555021	INNER ROTARY HOOK BRACKET ASSY	
8	XC8337021	FEED ARM A	050017	52	XZ0181121	STOPPER PLATE BLOCK ASSY	050249
9	XC2517021	FEED ARM B ASSY		53	060400516	SCREW, BIND M4 × 5	
10	XC2521021	FEED SUPPORTING PLATE ASSY		54	060300816	SCREW, BIND M3 × 8	
11	048020346	RETAINING RING, E2		55	XC2562121	LOWER SHAFT B ASSY	CHG
12	048030346	RETAINING RING, E3		56	X52664050	LOWER SHAFT BUSHING	
13	137999050	POLYESTER SLIDER		57	X51383050	WASHER,THRUST	
14	XZ0174021	SPRING		58	048060346	RETAINING RING, E6	
15	XC7835051	HORIZONTAL FEED SHAFT	050017	59	137768151	SET SCREW COLLAR	
16	048050346	RETAINING RING, E5		60	014400432	SET SCREW, SOCKET (CP) M4 × 4	
17	X50546050	WASHER,THRUST		61	XC2566021	BUSHING SUPPORTER A	
18	XC2527021	FEED ADJUSTER		62	XC2567021	BUSHING PRESSER A	
19	XC2529020	F GEAR		63	060401616	SCREW, BIND M4 × 16	
20	XC2530021	SPRING		64	XC2569051	NEEDLE PLATE A	
21	137713050	POLYESTER SLIDER		65	XC2570121	STOPPER PLATE	050293
22	XC2531021	SPRING		66	XC2571021	F GEAR STOPPER PLATE	
23	XC2532021	FPM HOLDER ASSY		67	060260316	SCREW, BIND M2.6 × 3	
24	XC2534021	MOTOR,PULSE:F SMJ35-4840-C		68	X50487051	SCREW M4	
25	XC2587020	RUBBER	CHG	69	XC2572021	DROP KNOB	
26	060300516	SCREW, BIND M3 × 5		70	XC2573051	SLIDE SHAFT B	040142
27	XC3338051	SCREW3 × 10	050231	71	XC2574021	SPRING PLATE	
28	018402532	BOLT,SOCKET M4 × 25		72	X53169050	BAND	
29	XC2537021	SPRING		73	060300416	SCREW, BIND M3 × 4	
30	XC2538021	SPRING					
31	XC2539021	BUSHING SUPPORTER ASSY			XC4479051	FEED SUPPLY UNIT ASSY (EUROPE)	ADD
32	060400616	SCREW, BIND M4 × 6			XC4479052	FEED SUPPLY UNIT ASSY (U.S.A & CANADA)	ADD
33	XC2542021	BUSHING PRESSER B					
34	060300516	SCREW, BIND M3 × 5					
35	XC3941051	VERTICAL ADJUSTER SCREW ASSY		74	XC8195051	SHAFT STOPPER PLATE	050017
36	XC2546051	M5 NUT	CHG	75	060300516	SCREW BIND M3 × 5	050017
37	XC2547021	SPRING		76	130676151	SET SCREW COLLAR	050017
38	XC8361051	VERTICAL FEED SHAFT	040085	77	014400432	SET SCREW, SOCKET (CP) M4 × 4	050017
39	XC2550021	SPRING					
40	XC2551020	VERTICAL LEVER					
41	XC2552051	SET SCREW COLLAR	040142				
42	014400432	SET SCREW, SOCKET (CP) M4 × 4					
43	048030346	RETAINING RING, E3					
44	XC7801021	VERTICAL SUPPORTING PLATE	040085				



NX200,
NX200LE,NX200QE
14C03HF882S60