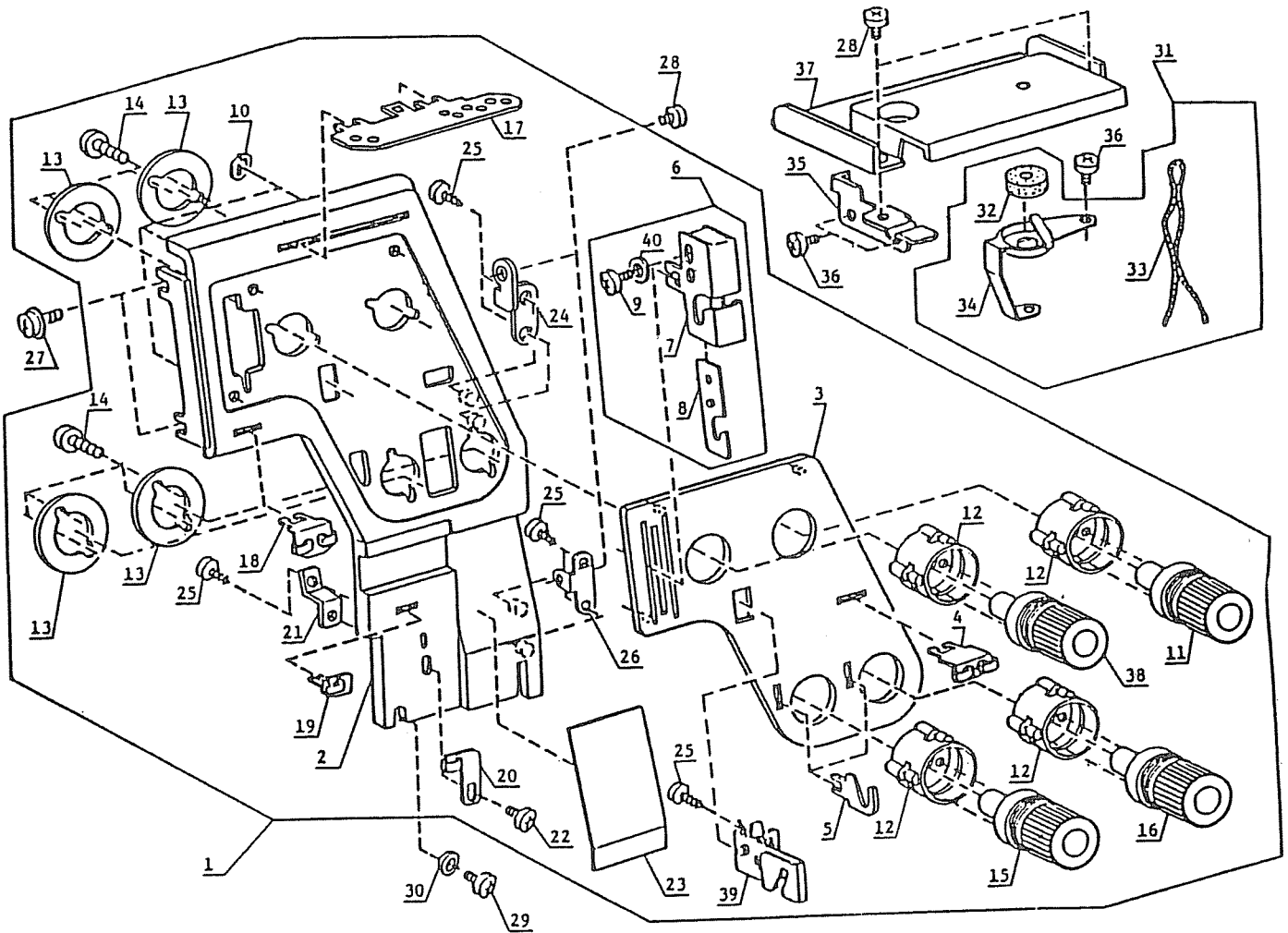
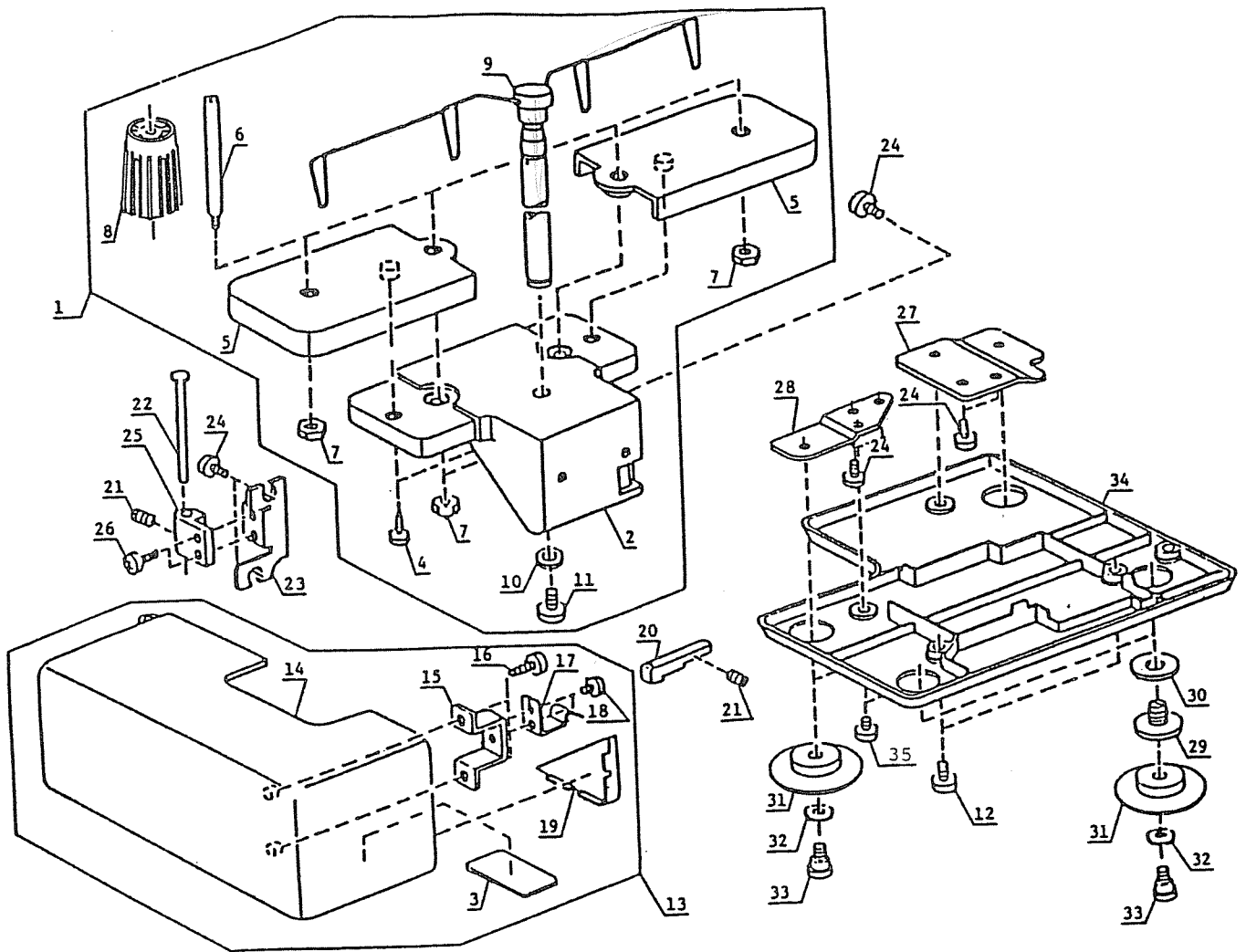


PARTS LIST

MyLock 234D

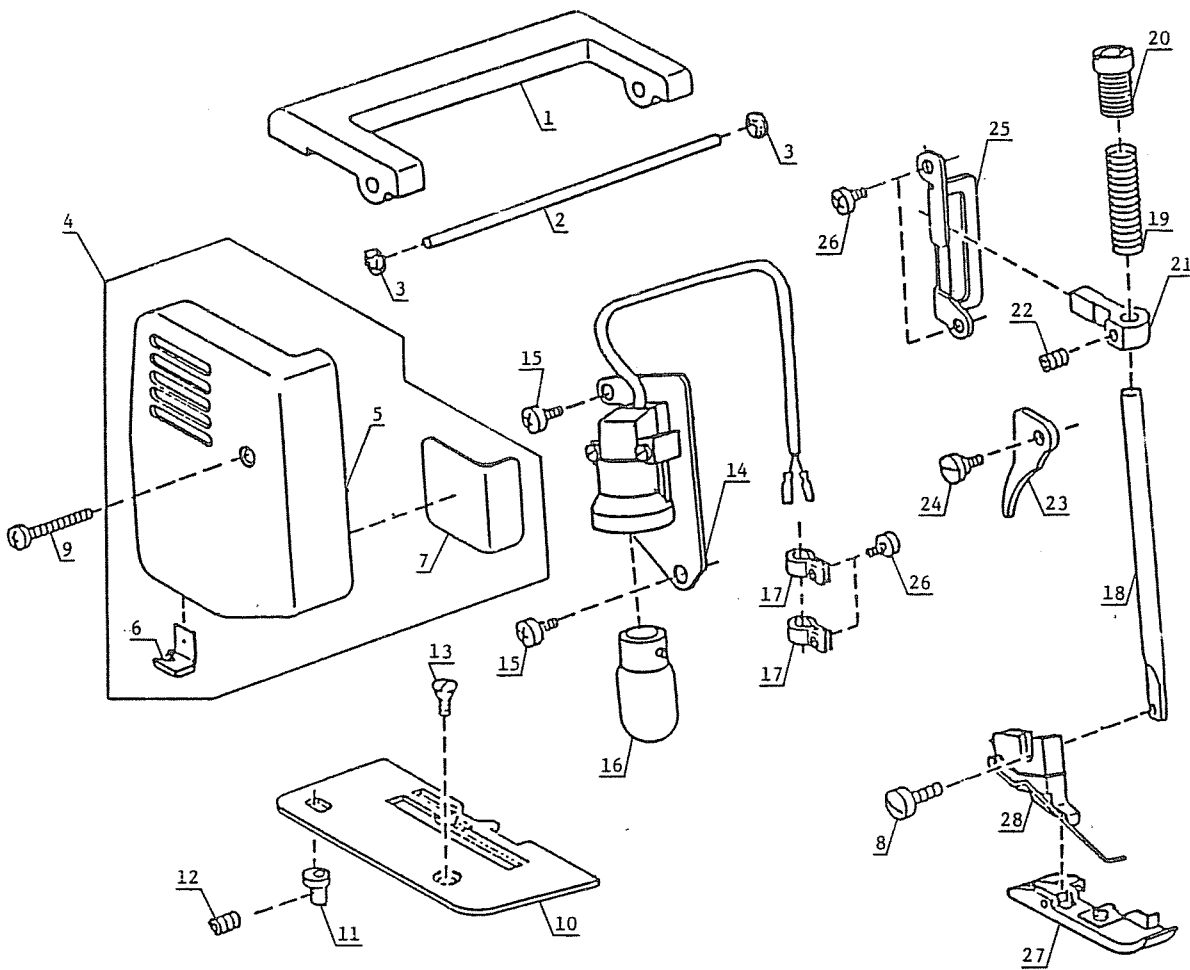


<u>REF. NO.</u>	<u>PART NO.</u>	<u>DESCRIPTION</u>	<u>REF. NO.</u>	<u>PART NO.</u>	<u>DESCRIPTION</u>
1	785606121	Front panel unit	26	784110005	Panel set plate (lower)
2	784087220	Front panel	27	000115607	Set screw
3	785019305	Ornamental plate	28	000081005	Set screw
4	784089004	Looper thread guide (upper)	29	000077617	Set screw
5	784090008	Looper thread guide (middle)	30	000070300	Washer
6	784617xxx	Thread take-up lever cover unit	31	784625008	Oil wick supporter unit
7	784091009	Thread take-up lever cover	32	784113008	Oil pad
8	784092000	Thread take-up regulating plate	33	763033020	Oil wick
9	000101127	Set screw	34	784111006	Oil pad supporter
10	000014306	CS ring	35	784115000	Top cover set plate
11	785504003	Tension dial unit (needle in right)	36	000101404	Set screw
12	784505207	Tension dial guide bracket unit	37	784114010	Top cover
13	784101003	Washer	38	785503002	Tension dial unit (needle in left)
14	000081500	Set screw	39	785607007	Check spring unit
15	785505004	Tension dial unit (upper looper)	40	000014306	Washer
16	785506005	Tension dial unit (lower looper)			
17	785011019	Thread guide plate			
18	785015002	Needle thread guide (2)			
19	784105007	Upper looper thread guide (1)			
20	784106008	Lower looper thread guide (1)			
21	784107009	Thread guide supporter			
22	000078320	Set Screw			
23	785021001	Threading chart			
24	784109012	Panel set plate (upper)			
25	000120214	Set screw			



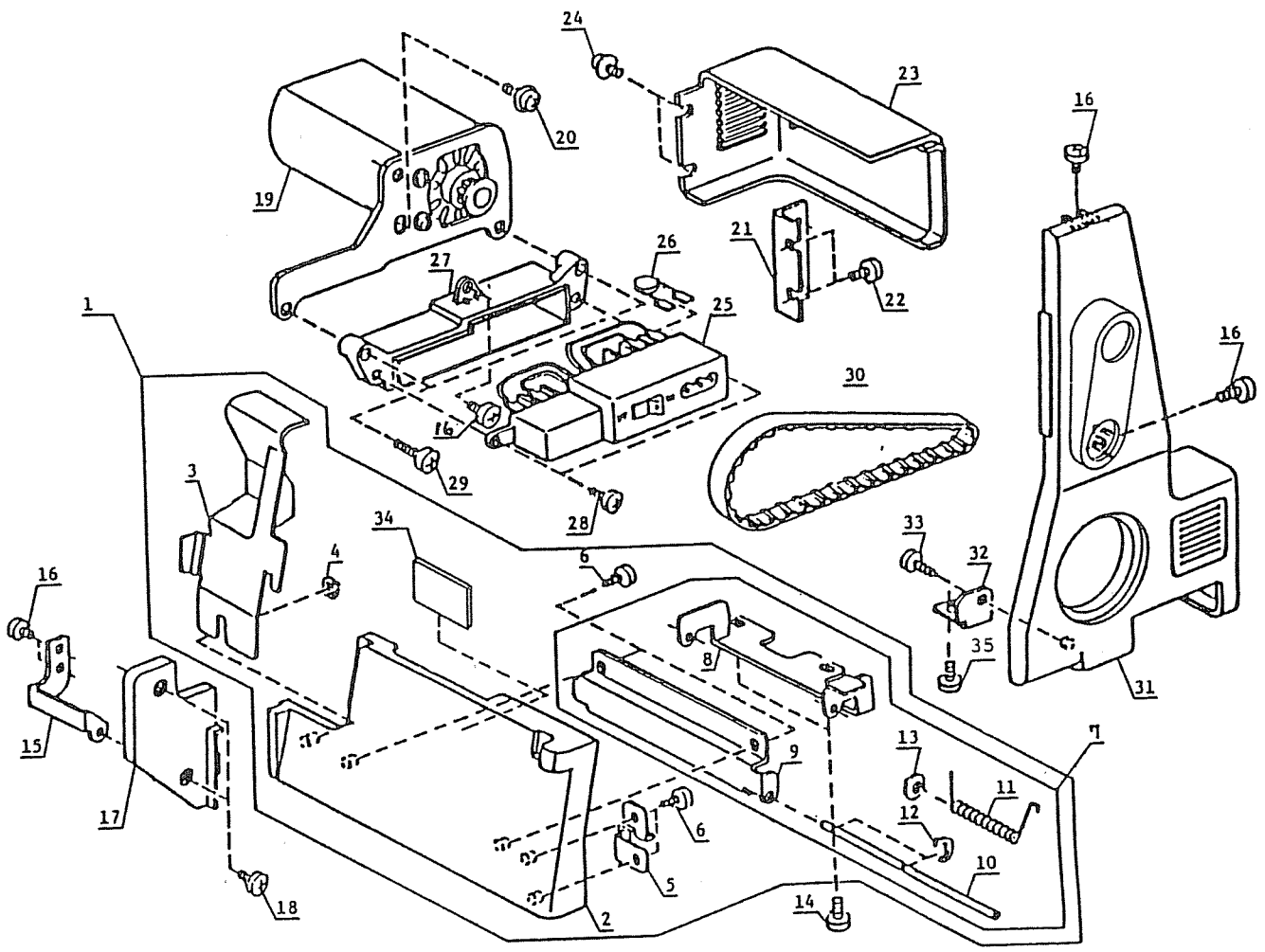
REF. NO.	PART NO.	DESCRIPTION
1	785651006	Spool stand unit
2	784144008	Spool stand body
3	100083000	Caution sticker
4	000149301	Set screw
5	784146000	Spool stand (2)
6	784222012	Spool pin
7	000061205	Nut
8	784223002	Spool holder
9	785016003	Thread guide bar
10	000070506	Washer
11	000093309	Set screw
12	000101817	Set screw
13	784621004	Side cover unit for Aust./U.K./U.S.A./N.Z.
	784624007	" " " for Canada
14	784138009	Side cover
15	784139000	Spring set plate
16	000107802	Set screw
17	784140004	Spring
18	000103808	Set screw
19	784141005	Side cover corner plate
20	784143007	Stopper
21	000111201	Hexagon socket screw
22	784142006	Hinge pin
23	784161001	Hinge set plate
24	000081005	Set screw

REF. NO.	PART NO.	DESCRIPTION
25	784162105	Hinge
26	000104201	Set screw
27	784131002	Cushion set plate (R)
28	785149006	Cushion set plate (L)
29	784133004	Cushion base
30	784134005	Washer
31	784135006	Cushion
32	000070300	Washer
33	784136007	Hinge screw
34	784137020	Machine base
35	000103509	Set screw

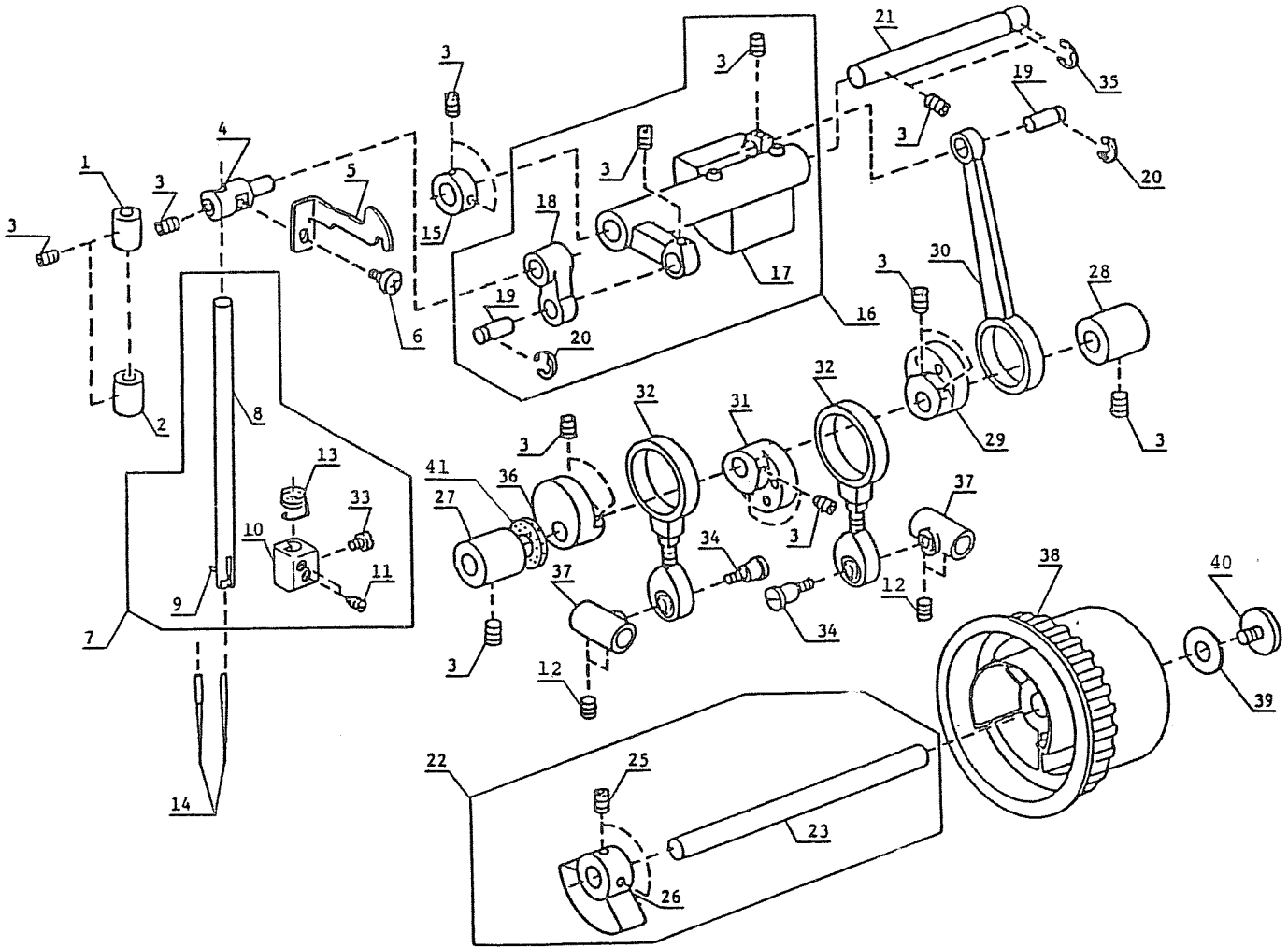


REF. NO.	PART NO.	DESCRIPTION
1	784005006	Carrying handle
2	784006007	Pin
3	000014007	CS ring
4	784605002	Face plate unit
5	784036006	Face plate (1)
6	822532008	Thread cutter
7	366076000	Reflecting sticker
8	763048006	Set screw
9	000106812	Set screw
10	785609009	Needle plate (regular)
11	784004005	Eccentric pin
12	000111902	Hexagon socket screw
13	681009008	Set screw
14	784503009	Lamp socket unit for Aust./U.K./N.Z.
	784514003	" " " for U.S.A.
	784515004	" " " for Canada
15	000101404	Set screw
16	000008606	Light bulb for 120V
	000009009	Light bulb for 240V
17	000126106	Cord guide
18	784029006	Presser bar
19	784030000	Spring
20	784031012	Pressure adjusting screw
21	724118007	Presser bar guide bracket
22	000111304	Hexagon socket screw

REF. NO.	PART NO.	DESCRIPTION
23	650032004	Presser bar lifter
24	810431009	Hinge screw
25	784032002	Presser bar guide
26	000081005	Set screw
27	785501103	Presser foot unit
28	784501007	Foot holder unit



REF. NO.	PART NO.	DESCRIPTION	REF. NO.	PART NO.	DESCRIPTION
1	685618400	Looper cover unit for Aust./N.Z.	20	000115504	Set screw
	685618503	" " " for U.S.A./U.K.	21	784125003	Motor cover set plate
	685623202	" " " for Canada	22	000081119	Set screw
2	784116506	Looper cover, JANOME brand	23	784126004	Motor cover
	784116609	" " NEW HOME brand	24	000115009	Set screw
3	784117002	Waste chip guide	25	784508004	Machine socket unit for Aust./U.K./N.Z.
4	000014306	CS ring		784511206	Machine socket for U.S.A./Canada
5	784118003	Looper cover stopper	26	784509005	Condenser for Aust./U.K./N.Z.
6	000149301	Set screw	27	784128006	Machine socket rear cover
7	784619xxx	Looper cover hinge unit	28	000121905	Set screw
8	784119004	Looper cover supporter	29	000104108	Set screw
9	784120008	Looper cover hinge	30	784124002	Motor belt
10	784121009	Pin	31	785148005	Belt cover
11	784122000	Spring	32	784130001	Belt cover set plate
12	000002105	Snap ring	33	000120214	Set screw
13	000071013	Washer	34	100083000	Caution sticker for Canada only
14	000101404	Set screw	35	000103509	Set screw
15	784152009	Looper cover guide set plate			
16	000081005	Set screw			
17	784123001	Looper cover guide			
18	000078320	Set screw			
19	-----	Motor unit for U.S.A. (YM43E)			
	-----	" " for Canada (YM43E)			
	-----	" " for Aust./U.K. (YM260-12E)			
	-----	" " for New Zealand (YM260-12E)			

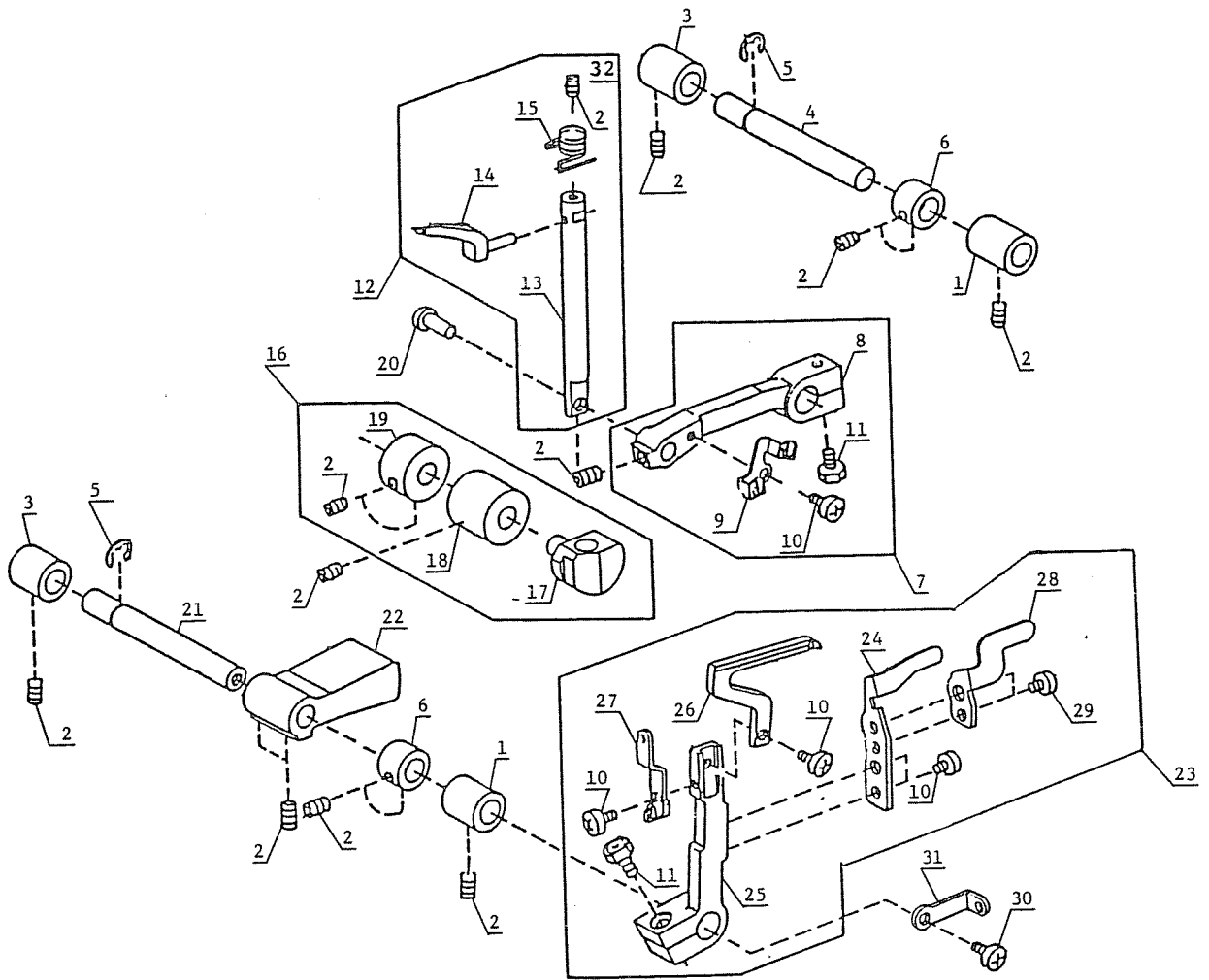


REF. NO. PART NO. DESCRIPTION

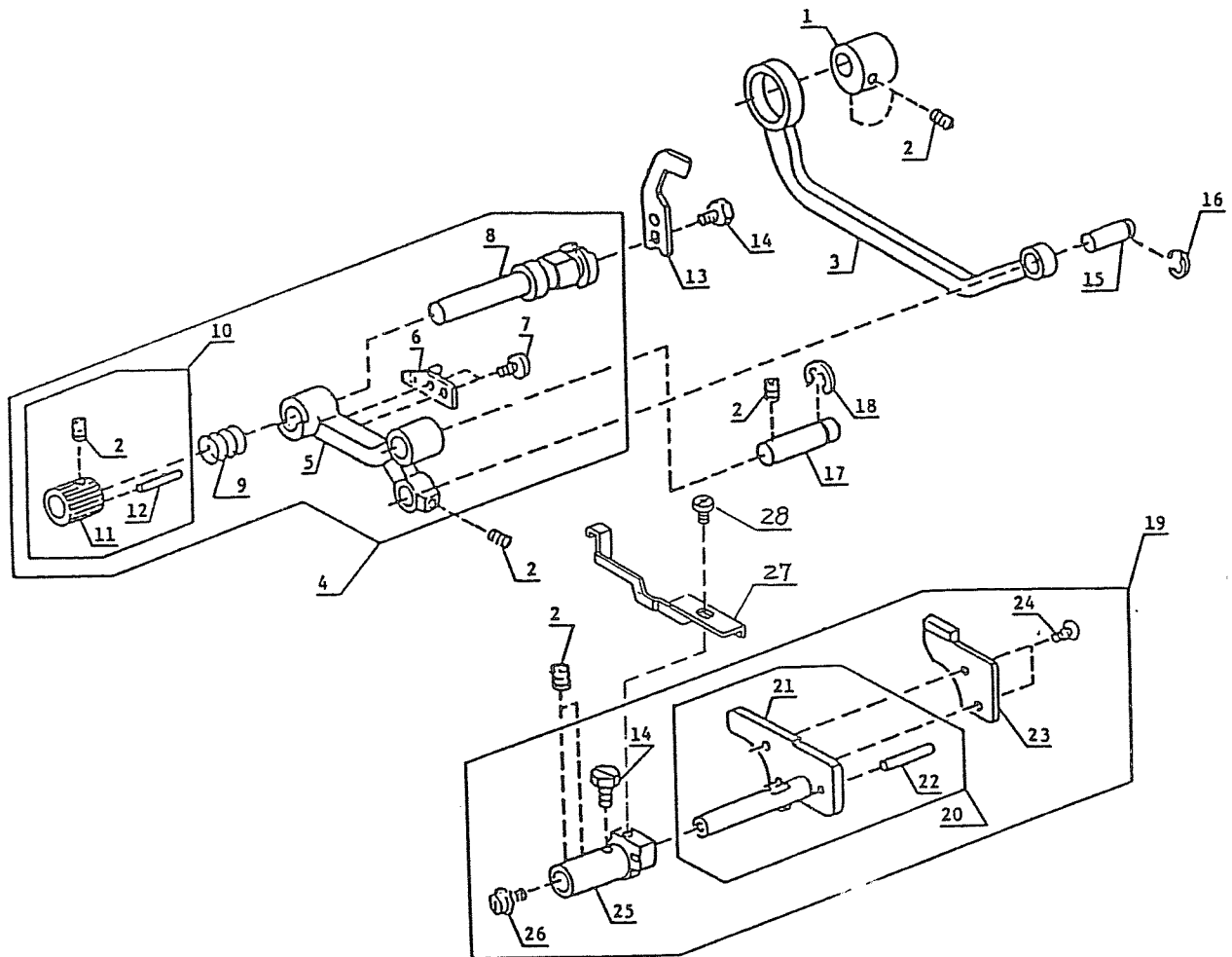
1	784027004	Bushing
2	784028005	Bushing
3	000111201	Hexagon socket screw
4	784024001	Needle bar connecting stud
5	784025002	Thread take-up lever
6	000067201	Set screw
7	785603025	Needle bar unit
8	785003029	Needle bar
9	000022307	Spring pin
10	784004020	Needle clamp
11	785008024	Needle clamp screw
12	000112501	Set screw
13	785009003	Needle bar thread guide
14	784157015	Needle, HA-1 SP, No. 14
15	624245001	Ring
16	784603000	Needle bar crank unit
17	784020007	Needle bar crank
18	784021008	Needle bar link
19	784022009	Pin
20	000001609	Snap ring
21	784023000	Needle bar crank shaft
22	784630009	Main shaft unit
23	784101006	Main shaft
24	619006002	Ring
25	000111304	Hexagon socket screw

REF. NO. PART NO. DESCRIPTION

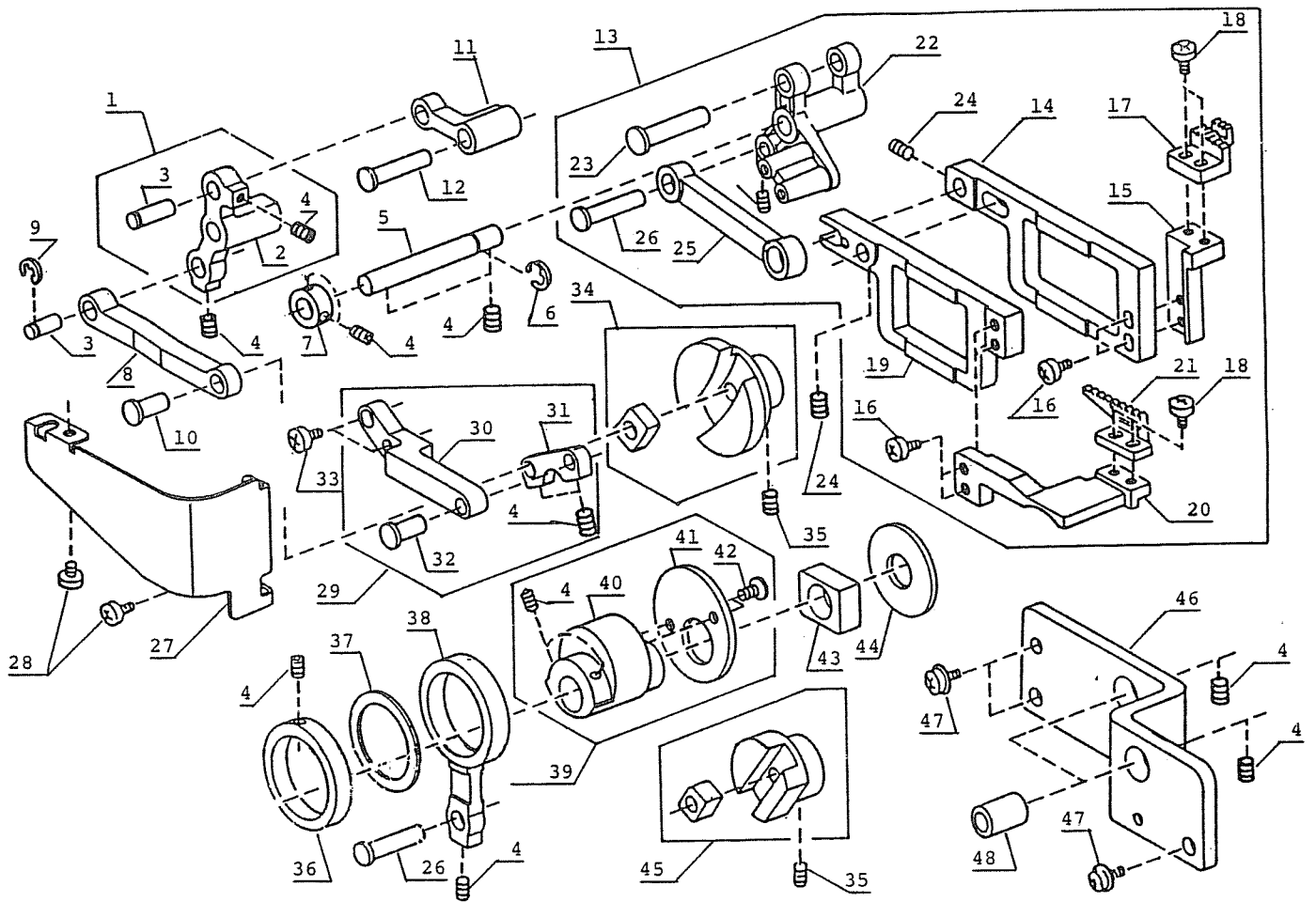
26	784008009	Balance weight
27	673062004	Bushing
28	784009000	Bushing
29	784010004	Needle bar drive cam
30	784011005	Needle bar crank rod
31	784012006	Upper looper drive cam
32	784602009	Looper drive link unit
33	785026017	Set screw
34	784016000	Hinge screw
35	000002806	Snap ring
36	784017001	Lower looper drive cam
37	784018002	Lower looper crank
38	784019003	Balance wheel
39	556047007	Washer
40	618070004	Screw
41	785150000	Oil pad



REF. NO.	PART NO.	DESCRIPTION	REF. NO.	PART NO.	DESCRIPTION
1	784164004	Bushing	26	784083008	Lower looper
2	000111201	Hexagon socket screw	27	784085000	Lower looper thread guide (3)
3	784071003	Bushing	28	785023003	Needle guard (front)
4	784072015	Upper looper crank shaft	29	000101116	Set screw
5	000002806	Snap ring	30	000103004	Set screw
6	694160008	Ring	31	785010007	Lower looper thread guide
7	785604004	Upper looper drive arm unit	32	000112501	Hexagon socket screw
8	784073005	Upper looper drive arm			
9	785020000	Looper thread guide (lower)			
10	000078320	Set screw			
11	000138008	Hexagon bolt			
12	785605005	Upper looper drive shaft unit			
13	784075007	Upper looper drive shaft			
14	784076008	Upper looper			
15	784077009	Upper looper thread guide (3)			
16	785611004	Upper looper shaft guide unit			
17	785025005	Upper looper shaft guide			
18	784079001	Bushing			
19	624245001	Ring			
20	784080005	Hinge pin			
21	785017015	Lower looper crank shaft			
22	784154001	Balance weight			
23	785610003	Lower looper unit			
24	785022002	Needle guard (rear)			
25	785024004	Lower looper drive arm			

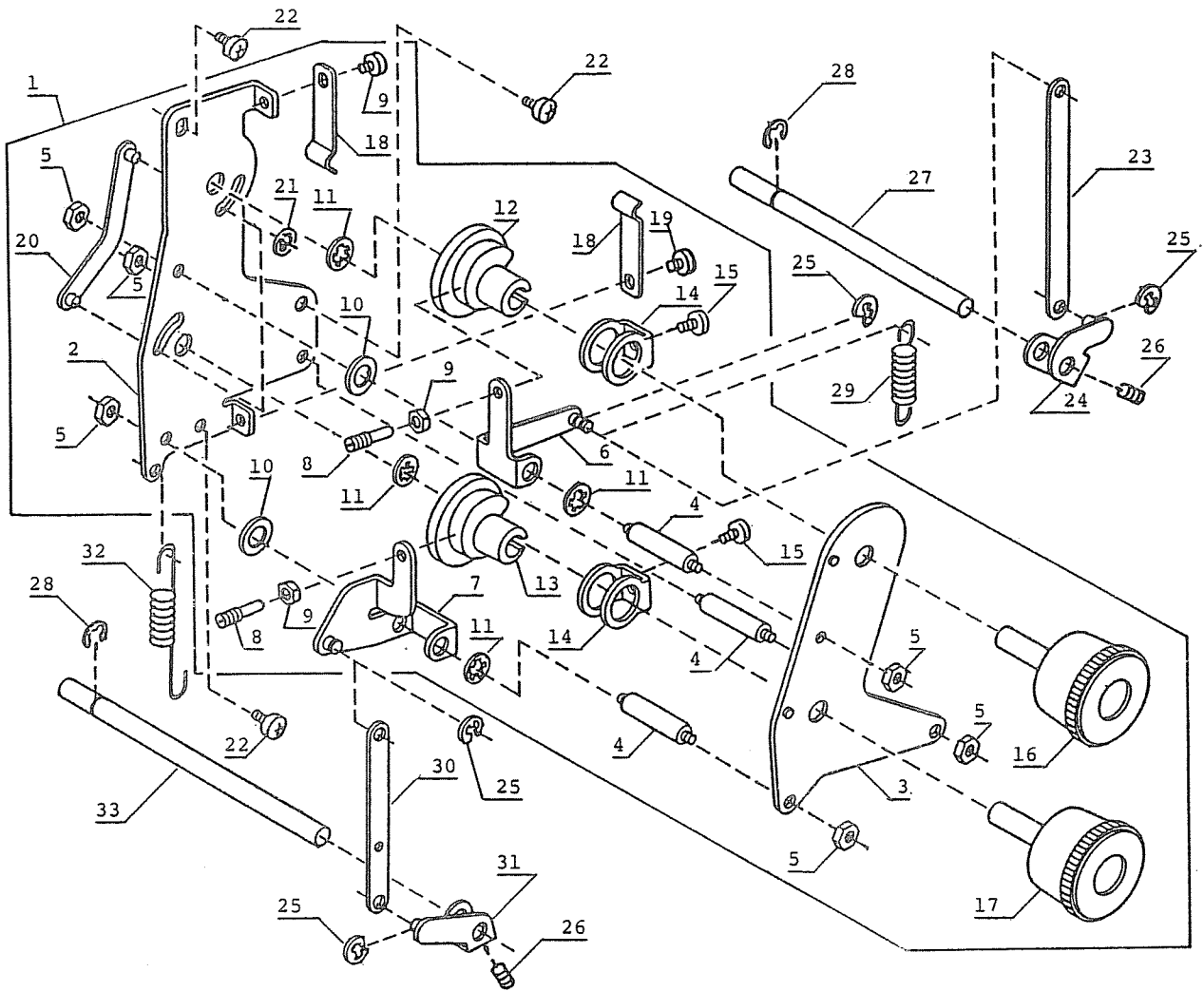


<u>REF. NO.</u>	<u>PART NO.</u>	<u>DESCRIPTION</u>	<u>REF. NO.</u>	<u>PART NO.</u>	<u>DESCRIPTION</u>
1	784038008	Upper knife drive cam	26	000115401	Set screw
2	000111201	Hexagon socket screw	27	785027007	Fixed needle guard
3	784039009	Upper knife connecting rod	28	000103808	Set screw
4	784606003	Upper knife drive arm unit			
5	784040003	Upper knife drive arm			
6	784041004	Upper knife guide			
7	810220003	Set screw			
8	784042005	Upper knife supporter			
9	784043006	Spring			
10	784607xxx	Upper knife knob unit			
11	784044007	Upper knife knob			
12	000003601	Spring pin			
13	784045019	Upper knife			
14	624303008	Hexagon bolt			
15	784022009	Pin			
16	000001609	Snap ring			
17	784046009	Pin			
18	000002909	Snap ring			
19	784608005	Lower knife unit			
20	784609xxx	Lower knife supporter unit			
21	784047000	Lower knife supporter			
22	000123402	Pin			
23	784048001	Lower knife			
24	000102209	Set screw			
25	784049002	Bushing			

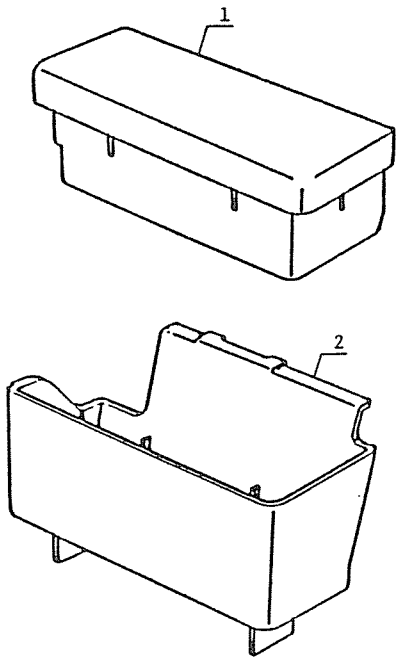


REF. NO.	PART NO.	DESCRIPTION
1	785633002	Sub-feed rocking arm unit
2	785119007	Sub-feed rocking arm
3	625130005	Pin
4	000111201	Hexagon socket screw
5	784069019	Pin
6	000002806	Snap ring
7	624245001	Ring
8	785126007	Sub-feed link
9	000002507	Snap ring
10	785127008	Pin
11	785117005	Sub-feed bar link
12	625129001	Pin
13	785632001	Feed bar unit
14	785106001	Main feed bar
15	785107002	Main feed dog base
16	000080406	Set screw
17	785108003	Main feed dog
18	000066705	Set screw
19	785109004	Sub-feed bar
20	785110008	Sub-feed dog base
21	785111009	Sub-feed dog
22	785112000	Feed arm
23	785113001	Pin
24	000111902	Hexagon socket screw
25	785114002	Feed link

REF. NO.	PART NO.	DESCRIPTION
26	785151001	Pin
27	785152002	Feed regulator cover
28	000081119	Set screw
29	785635004	Sub-feed arm unit
30	785115003	Sub-feed arm
31	785154004	Sub-feed connecting link
32	820144003	Pin
33	000101703	Set screw
34	785522007	Sub-feed regulator unit
35	000111304	Hexagon socket screw
36	785122003	Ring
37	785121002	Washer
38	785120001	Main feed link
39	785631000	Feed cam unit
40	785102007	Feed cam
41	785103008	Washer
42	000097107	Set screw
43	785104009	Sliding block
44	785105000	Distance washer
45	785521006	Feed regulator unit
46	785118006	Feed regulator base
47	000114802	Set screw
48	625144002	Bushing



REF. NO.	PART NO.	DESCRIPTION	REF. NO.	PART NO.	DESCRIPTION
1	785634003	Feed adjusting mechanism unit	26	000111500	Hexagon socket screw
2	785131005	Frame (1)	27	785125006	Feed shaft
3	785132006	Frame (2)	28	000001609	Snap ring
4	785133007	Frame support pin	29	785146003	Spring
5	000061102	Hexagon nut	30	785144001	Rod
6	785134008	Feed regulating arm	31	785145002	Differential feed arm
7	785135009	Differential feed regulating arm	32	785147004	Spring
8	652056000	Stopper33	33	785130004	Differential feed shaft
9	000160102	Nut			
10	000036500	Washer			
11	000013800	CS ring			
12	785136000	Feed regulating cam			
13	785137001	Differential feed regulating cam			
14	785138002	Cam supporter			
15	000103509	Set screw			
16	785139106	Feed dial			
17	785139209	Differential feed dial			
18	785140007	Index spring			
19	000101404	Set screw			
20	785141008	Stopper			
21	000014306	CS ring			
22	000081005	Set screw			
23	785142009	Feed rod			
24	785143000	Feed arm			
25	000002105	Snap ring			



<u>REF. NO.</u>	<u>PART NO.</u>	<u>DESCRIPTION</u>
1	784804003	Accessory box
2	784803105	Waste chip box, JANOME brand
	784803208	" " " NEW HOME brand

REF. NO. PART NO. DESCRIPTION

