

**SINGER**

**9130/9133/9137/9143/7050**

# LIST OF PARTS

## *Sewing Machine Series*

9130

9133

9137

9143

*Some  
7050*  
*same as  
7050*

by **SINGER**\*



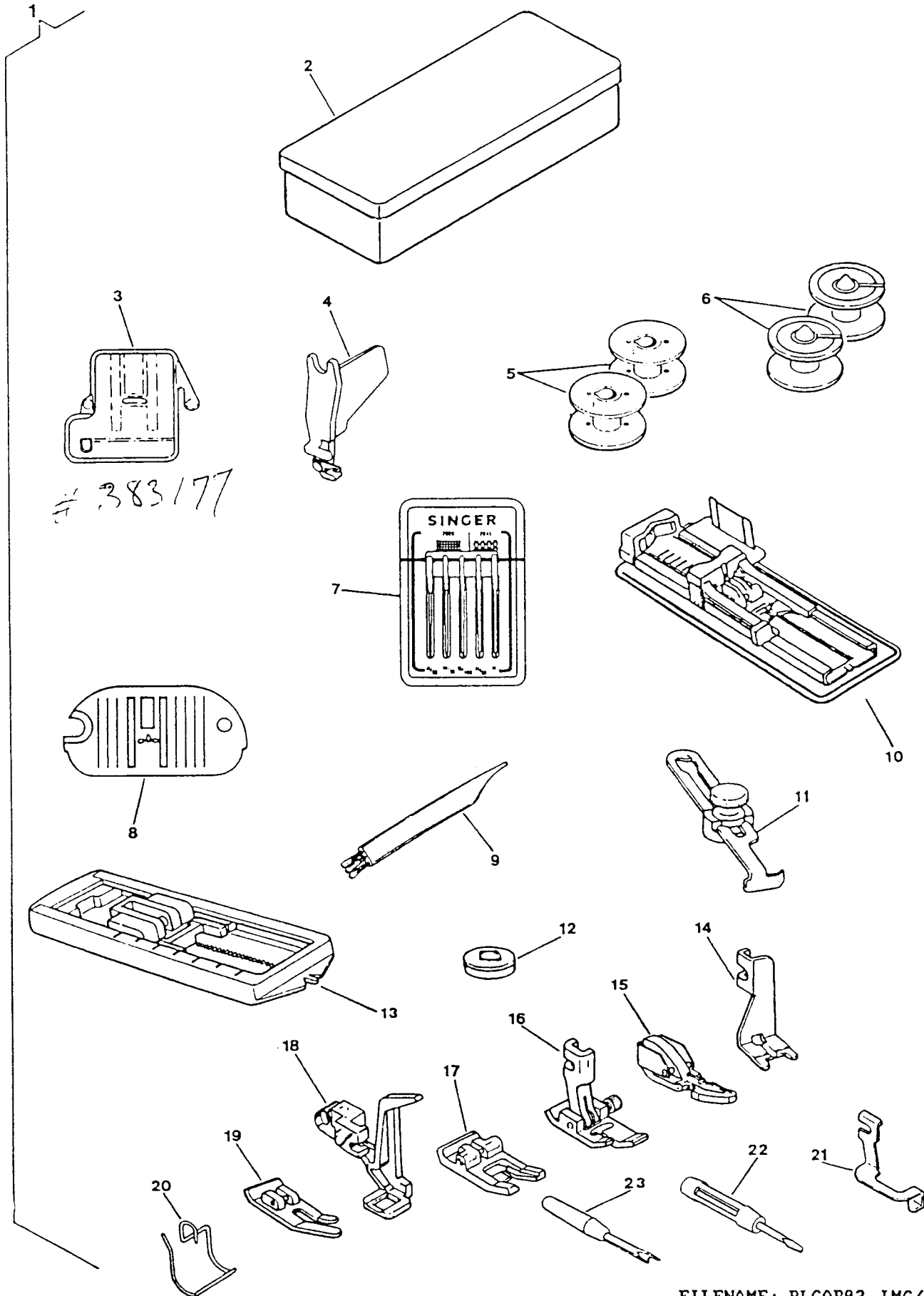
A Publication of Product Support  
International Group Engineering

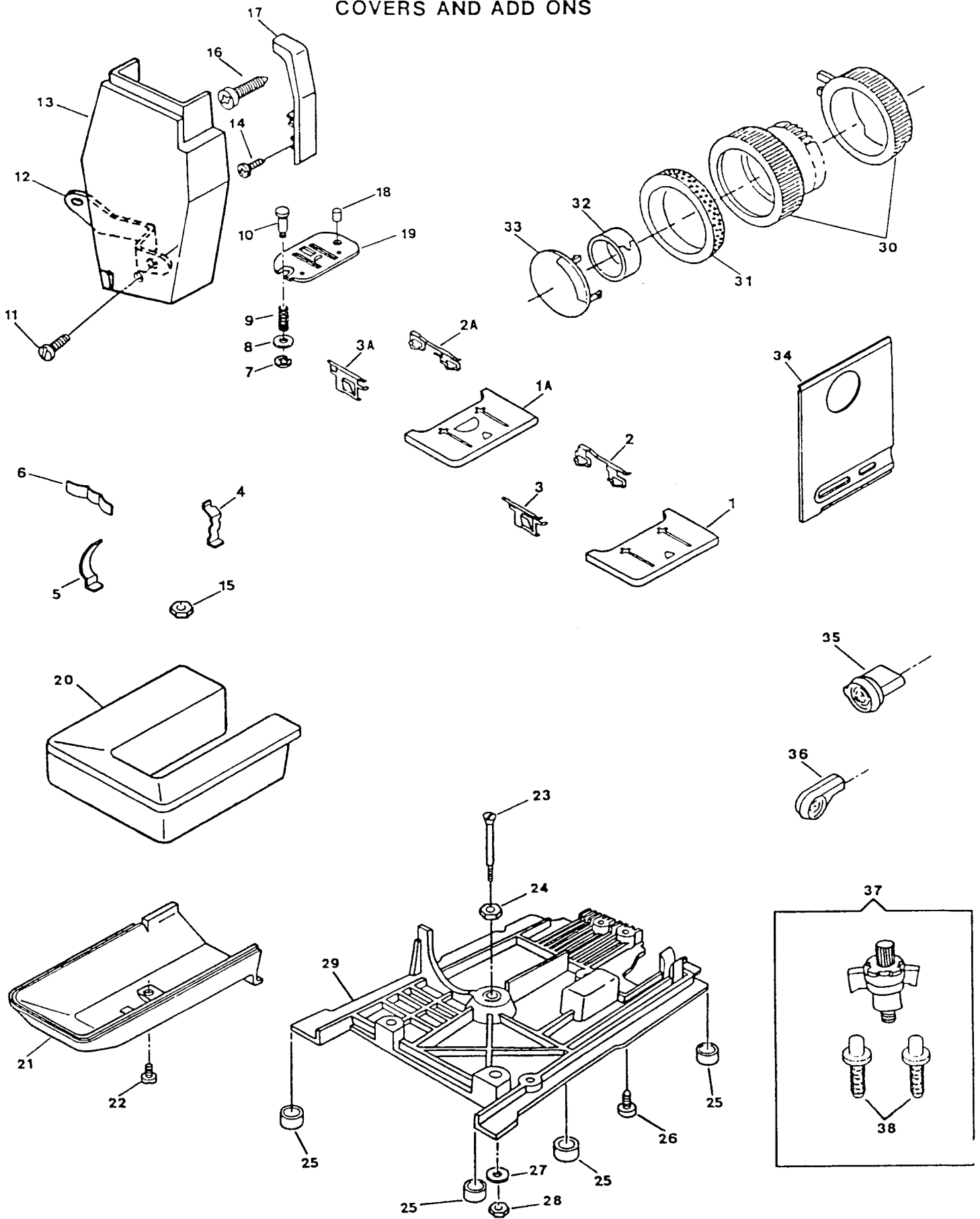
## INDEX

PAGE NO.	SUBASSEMBLY
1, 2	ATTACHMENT SET
3, 4	COVERS AND ADD ONS
5, 8	ARM TOP COVER
9, 10	ARM SHAFT DRIVE SYSTEM
11, 12	HAND WHEEL
13, 14	COAXIAL PRESSER BAR SYSTEM
15, 16	NEEDLE BAR & THREAD TAKE-UP
17, 20	ALPHA FEED
21, 22	HOOK SYSTEM (APOLLO)
23, 24	HOOK AND BOBBIN WINDING SYSTEM (CENTAUR)
25, 30	PATTERN, STITCH LENGTH CONTROL & CAM CONTROLLED FEED
31, 32	DEMAND RESPONSIVE NEEDLE TENSION SYSTEM
33, 38	ELECTRICAL EQUIPMENT

ATTACHMENT SET  
MODEL:9130,33,37,43

REF. NO.	PART NO.	DESCRIPTION	9	9	9	9
			1	1	1	1
			3	3	3	4
			0	3	7	3
1	313030	ATTACHMENT COMPLETE (IN ACCESSORY BOX)				X
1	313031	ATTACHMENT COMPLETE (IN ARM TOP COVER STORAGE)				X
1	313032	ATTACHMENT COMPLETE (IN ARM TOP COVER STORAGE)				X X
2	402673-455	ACCESSORY BOX COMPLETE (ALT:402673-454)				X
3	313117	FEED COVER PLATE				X X X X
4	503277-453	NEEDLE THREADER COMPLETE				X X X
5	172336	BOBBIN (APOLLO)				X
6	312956	BOBBIN (CENTAUR)				X X X
7	353364	NEEDLE PACK (ALT:384064)				X X X X
8	313066	THROAT PLATE FOR STRAIGHT SEWING				X X
9	546358-452	LINT BRUSH				X X X X
10	313093-452	BUTTONHOLE PRESSER FOOT (ONE-STEP) COMPLETE				X X
11	161172	SEAM AND BLINDSTITCH HEM GUIDE COMPLETE				X X X
12	507664-463	ARM SPOOL PIN THREAD LEAD OFF (SMALL, PLASTIC)				X X X
13	313992-451	PRESSER FOOT PLATE (4-STEPS) FOR SEWING BUTTONHOLES				X X
14	381066	PRESSER FOOT PLATE FOR BUTTON SEWING				X X X
15	171480	PRESSER FOOT PLATE (SNAP-ON) FOR CORDING AND SLIDE FASTENERS COMPLETE				X X X X
16	381491	BLIND HEM PRESSER FOOT ASSEMBLY				X X X
17	171463	SPECIAL PURPOSE PRESSER FOOT PLATE (SNAP-ON)				X X X X
18	384037	DARNING AND EMBROIDERY FOOT COMPLETE (PLASTIC)				X X X
19	353628	PRESSER FOOT PLATE (SNAP-ON) FOR STRAIGHT SEWING				X X X
20	421588	FINGER GUARD				X X X X
21	171110	BLINDSTITCH GUIDE				X





COVERS AND ADD ONS  
MODEL:9130,33,37,43

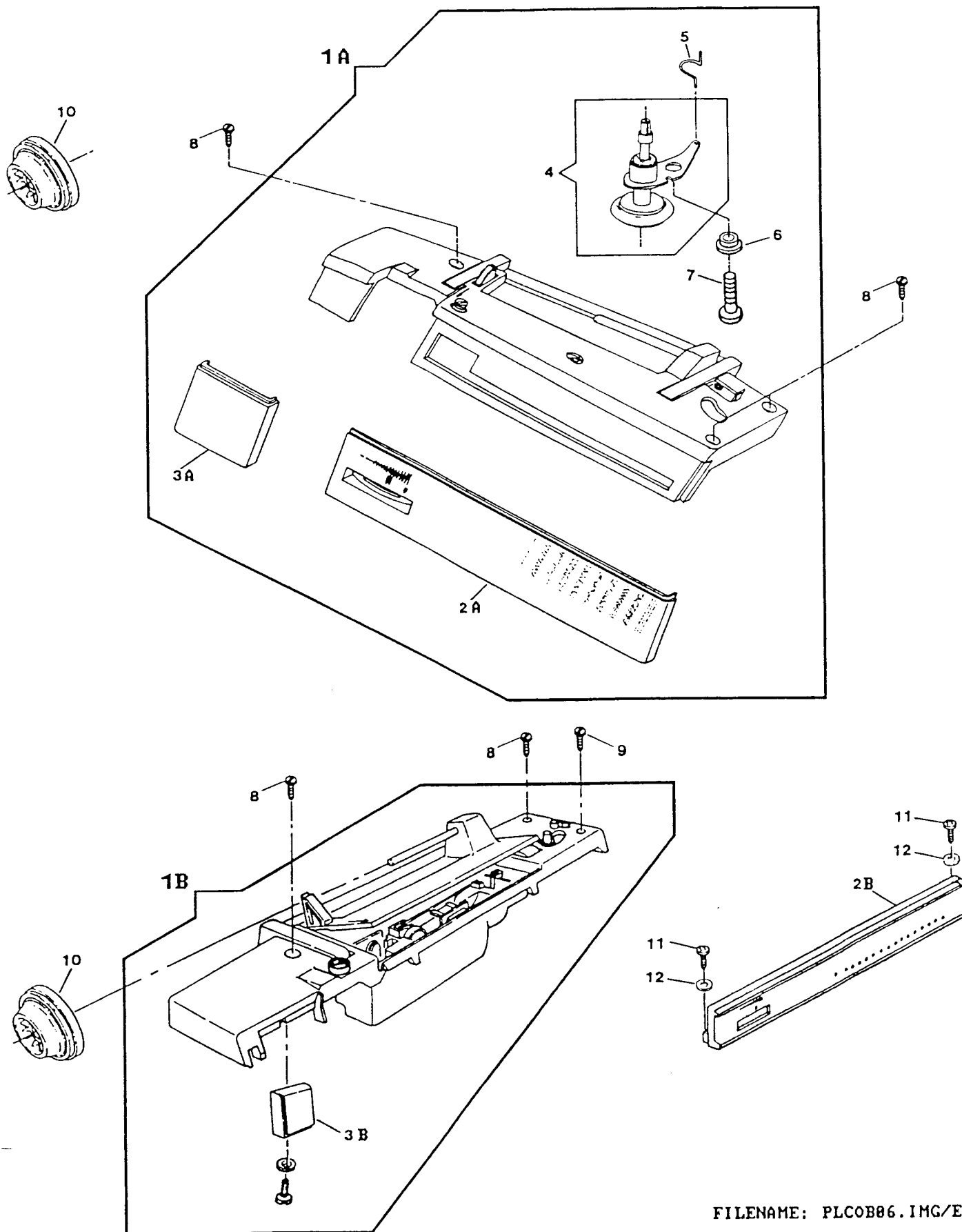
REF. PART NO.	PART NO.	DESCRIPTION	9	9	9	9
			1	1	1	1
			3	3	3	4
			0	3	7	3
1	314666	BED SLIDE ASSEMBLY COMPLETE (APOLLO)	X			
1A	314109	BED SLIDE ASSEMBLY COMPLETE (ALT:313166)		X	X	X
2	314669	BED SLIDE SPRING (RIGHT)	X			
2A	312779	BED SLIDE SPRING (RIGHT)		X	X	X
3	314670	BED SLIDE SPRING (LEFT)	X			
3A	313108	BED SLIDE SPRING (LEFT)		X	X	X
4	313178	BED SLIDE STOP	X			
5	313179	BED SLIDE STOP SPRING	X			
6	313118	CLOTH PLATE SPRING	X	X	X	X
7	313098	THROAT PLATE PLUNGER RETAINING RING	X	X	X	X
8	549426-451	THROAT PLATE PLUNGER WASHER	X	X	X	X
9	312805	THROAT PLATE PLUNGER SPRING	X	X	X	X
10	312804	THROAT PLATE PLUNGER	X	X	X	X
11	113521-451	FACE PLATE MOUNTING SCREW	X	X	X	X
12	314263	FACE PLATE MOUNTING BRACKET	X	X	X	
12	317226	FACE PLATE MOUNTING BRACKET				X
13	314259-001	FACE PLATE COMPLETE	X	X	X	
13	314259-455	FACE PLATE COMPLETE				X
14	113470-003	THREAD TAKE-UP COVER MOUNTING SCREW	X	X	X	X
15	313049	BED INSERT NUT	X	X	X	X
16	113455-004	THREAD TAKE-UP COVER MOUNTING SCREW	X	X	X	X
17	314718-457	THREAD TAKE-UP COVER W/GRAPHICS	X	X	X	X
18	353624	THROAT PLATE LOCATING PIN	X	X	X	X
19	312777	THROAT PLATE FOR ZIG ZAG SEWING	X	X	X	X
20	317361-451	CLOTH PLATE — <i>white</i>	X	X	X	X
21	312773-452	BED COVER TUBULAR	X	X	X	X
22	354633-452	BED COVER (TUBULAR) SCREW	X	X	X	X
23	313052-451	BOTTOM COVER MOUNTING BOLT	X	X	X	X
24	313173-451	BOTTOM COVER MOUNTING BOLT RETAINING NUT	X	X	X	X
25	313909-451	BED LEG CUSHION	X	X	X	X
26	113455-002	BED COVER PLATE (BOTTOM) SCREW	X	X	X	X
27	314712-451	BOTTOM COVER MOUNTING BOLT WASHER	X	X	X	X
28	313177-452	BOTTOM COVER MOUNTING BOLT MOUNTING NUT	X	X	X	X
29	312774-003	BED COVER PLATE (BOTTOM)	X	X	X	X
30	317364-001	PATTERN SELECTOR KNOB AND STITCH BALANCE KNOB ASSEMBLY	X	X	X	X
31	317363-451	RING, PATTERN SELECTOR KNOB	X	X	X	X
32	313535	PATTERN SELECTOR KNOB COMPRESSION RING	X	X	X	X
33	317074-451	PATTERN SELECTOR KNOB COVER	X	X	X	X
34	317070-901	STITCH LENGTH PANEL (HARMONIE)	X			
34	317070-902	STITCH LENGTH PANEL (CONCERTO)	X			
34	317070-903	STITCH LENGTH PANEL (HARMONIE)		X		
34	317070-904	STITCH LENGTH PANEL (CONCERTO)		X		
34	317070-905	STITCH LENGTH PANEL (HM)			X	
34	317070-906	STITCH LENGTH PANEL (CT)			X	
34	317070-907	STITCH LENGTH PANEL (HM) (FOR BRAZIL)				X
34	317070-908	STITCH LENGTH PANEL (CT) (FOR BRAZIL)				X
34	317070-911	STITCH LENGTH PANEL WITH GRAPHICS (FOR H.O.F. MODEL 7050)				X
35	317079-451	REVERSE FEED CONTROL LEVER KNOB (PLASTIC)	X	X	X	X
36	317075-451	STITCH LENGTH, BIGHT AMPLITUDE AND TENSION REGULATING CONTROL LEVER KNOB (PLASTIC)	X	X	X	X
37	313180	MACHINE HOLD DOWN MOUNTING KIT	X	X	X	X
38	148869	MACHINE LOCATER PIN	X	X	X	X

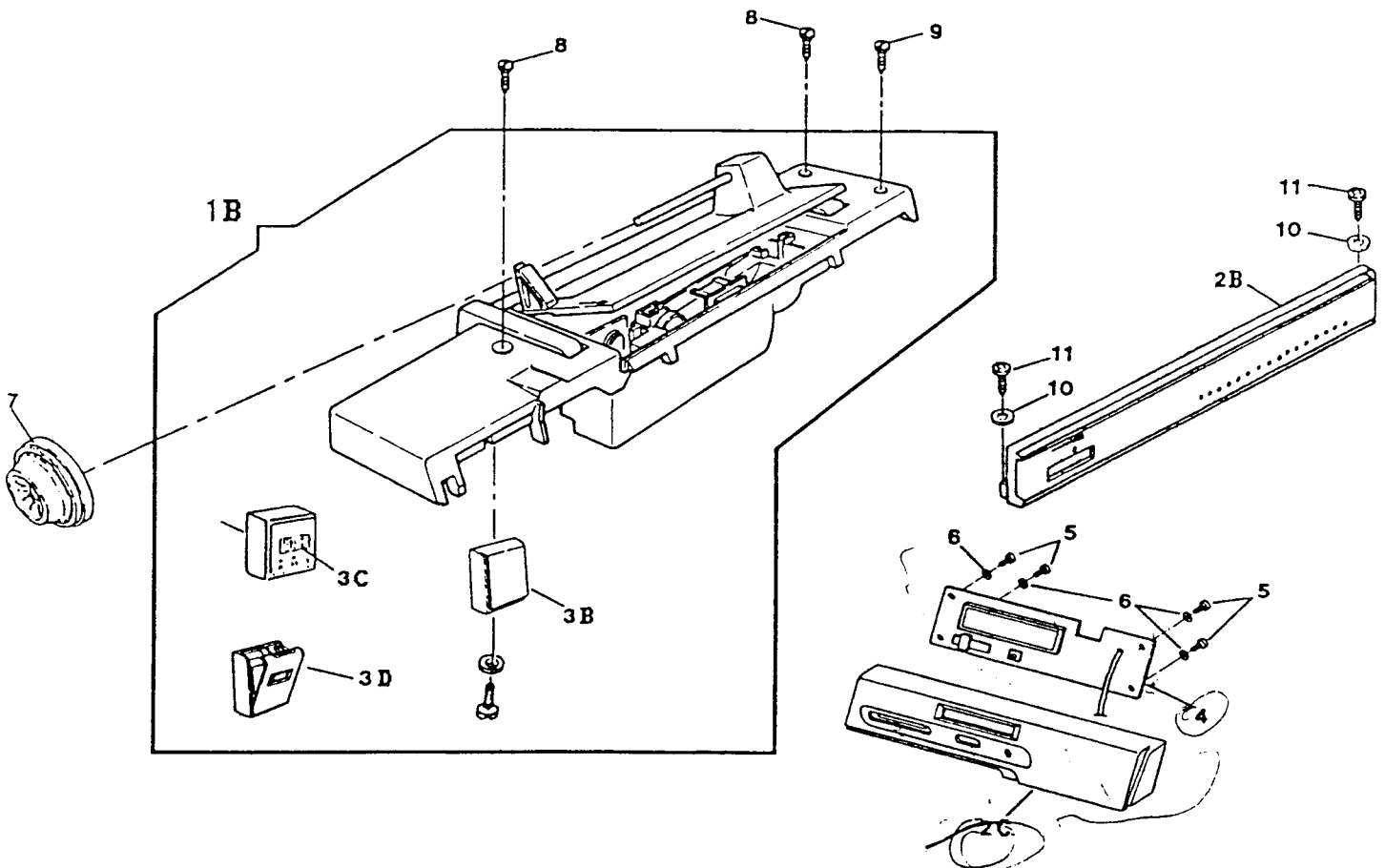
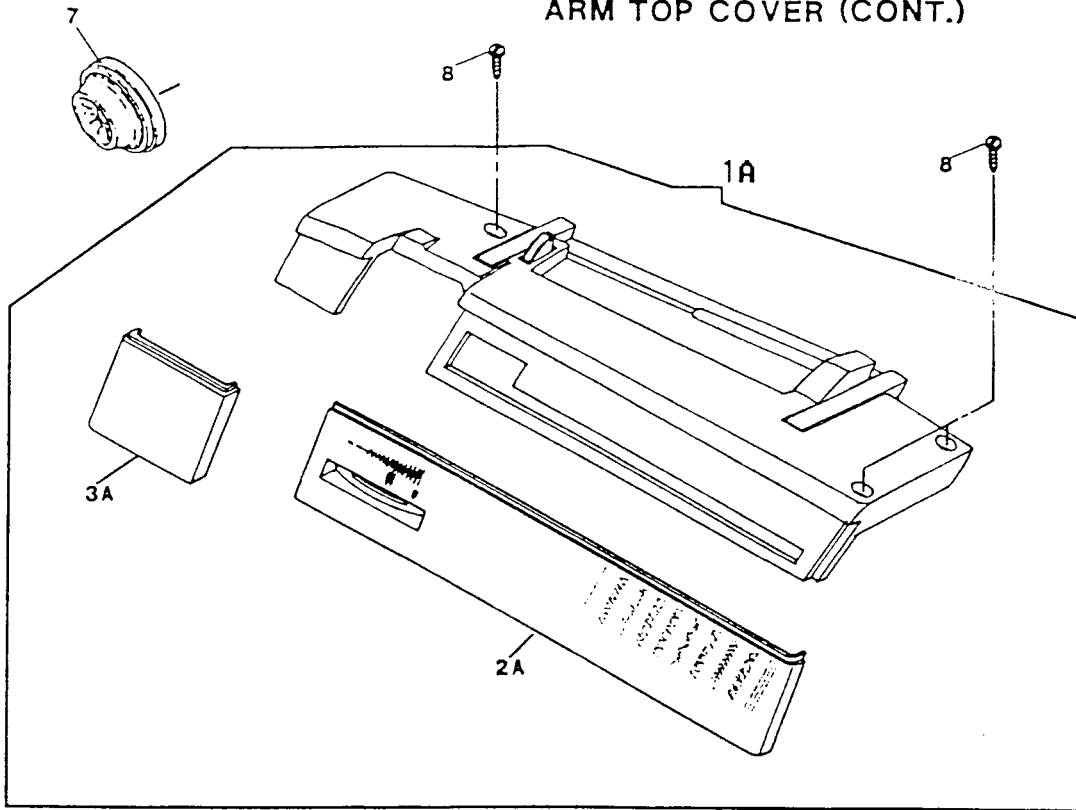
ARM TOP COVER  
MODEL:9130,33,37,43

REF. PART			9	9	9	9
NO.	NO.	DESCRIPTION	1	1	1	1
			3	3	3	4
			0	3	7	3
1A	317027-013	ARM TOP COVER ASSEMBLY WITH HANDLE				X
2A	317365-901	CONTROL PANEL WITH GRAPHICS				X
3A	317368-901	CONTROL PANEL EXTENSION WITH GRAPHICS				X
4	312901	BOBBIN WINDER ASSEMBLY				X
5	312897	BOBBIN WINDER LEVER SPRING				X
6	312613	BOBBIN WINDER LEVER HINGE SCREW SHOULDER WASHER				X
7	113372-451	BOBBIN WINDER LEVER HINGE SCREW				X
8	354927-001	ARM TOP COVER MOUNTING SCREW				X
10	179967-456	SPOOL PIN THREAD LEAD-OFF				X



### ARM TOP COVER



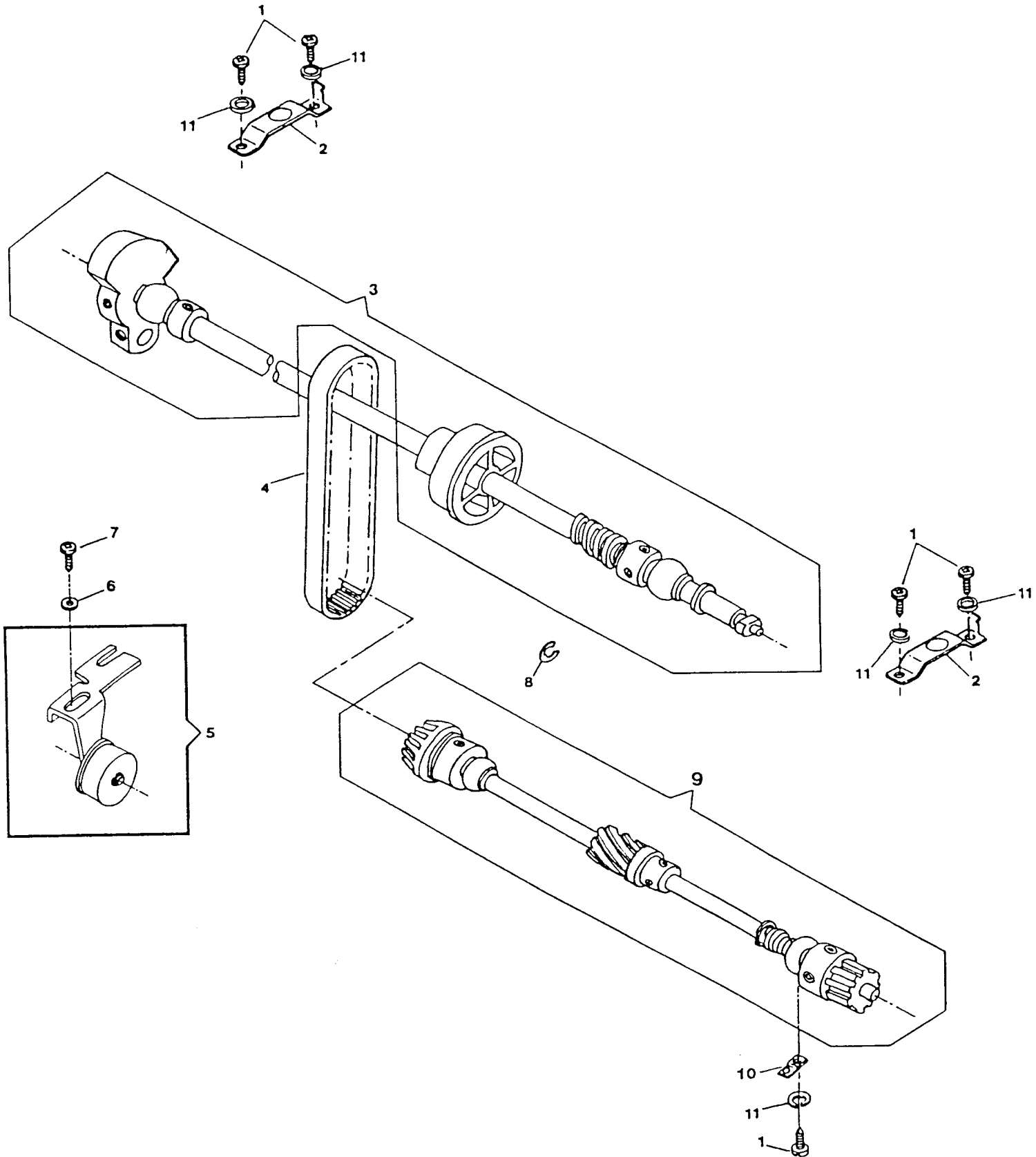


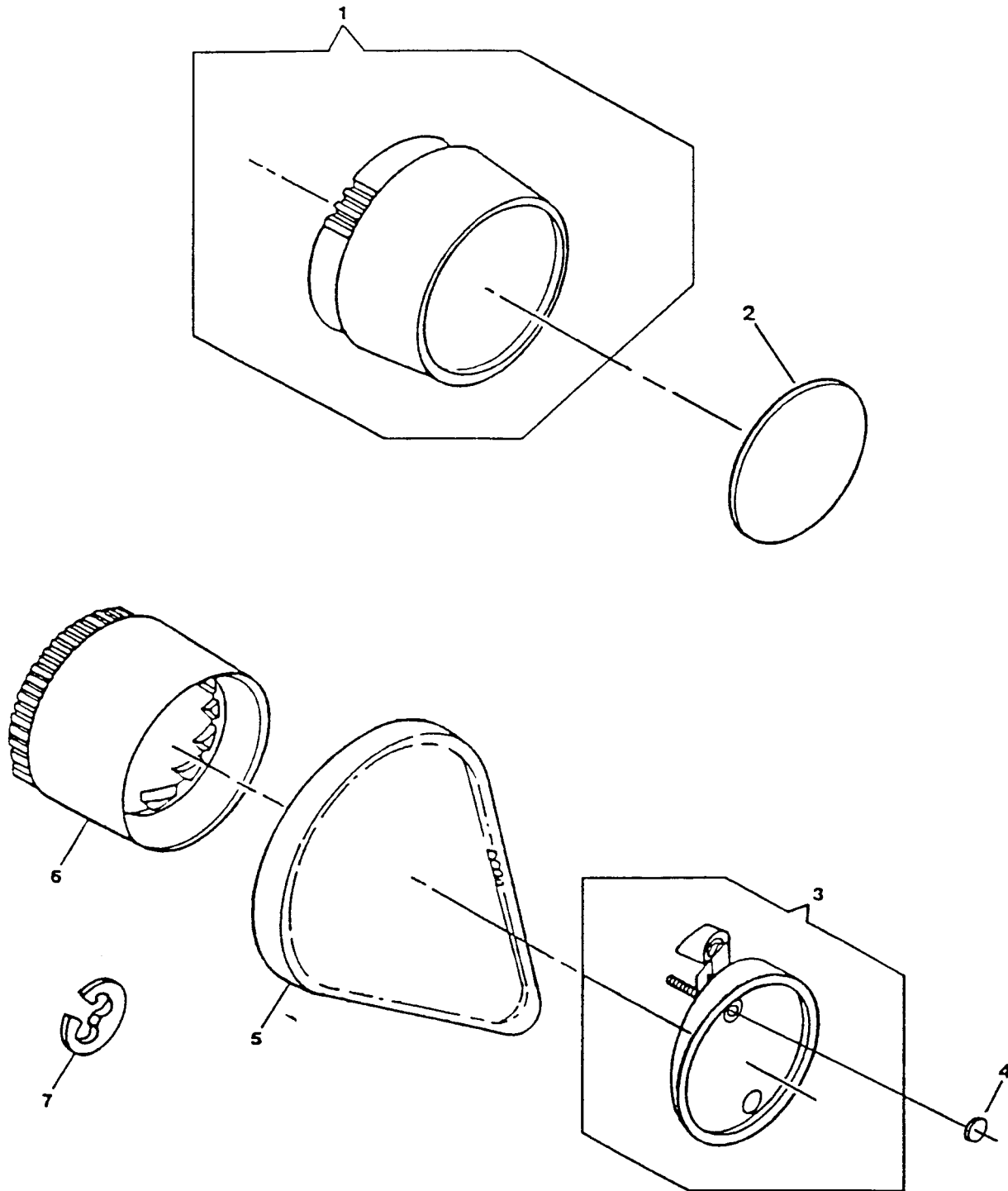
ARM TOP COVER (CONT.)  
MODEL:9130,33,37,43

REF. PART NO.	PART NO.	DESCRIPTION	9	9	9	9
			9	9	9	9
			1	1	1	1
			3	3	3	4
			0	3	7	3
1B	314378-034	ARM TOP COVER ASSEMBLY WITH HANDLE				X
1B	314378-035	ARM TOP COVER ASSEMBLY WITH HANDLE				X
1B	314378-036	ARM TOP COVER ASSEMBLY WITH HANDLE (FOR BRAZIL)				X
1B	314378-039	ARM TOP COVER ASSEMBLY WITH HANDLE (FOR U.S.A./CANADA)				X
1B	314378-041	ARM TOP COVER ASSEMBLY WITH HANDLE (FOR H.O.F. MODEL 7050)				X
2B	317098-001	CONTROL PANEL WITH GRAPHICS				X
2B	317355-001	CONTROL PANEL WITH GRAPHICS				X
2C	317060-901	CONTROL PANEL WITH GRAPHICS				X
3B	317369-901	CONTROL PANEL EXTENSION WITH GRAPHICS				X X
3B	317369-903	CONTROL PANEL EXTENSION WITH GRAPHICS (FOR U.S.A./CANADA)				X
3D	317066-001	CONTROL PANEL EXTENSION ASSEMBLY WITH DIGITAL CLOCK				X
3D	317066-002	CONTROL PANEL EXTENSION ASSEMBLY WITH DIGITAL CLOCK (FOR H.O.F. MODEL 7050)				X
4	317064-901	LCD DISPLAY MODULE WITH P.C. BOARD ASSEMBLY (ENGLISH)				X
4	317064-902	LCD DISPLAY MODULE WITH P.C. BOARD ASSEMBLY (FRENCH)				X
4	317064-903	LCD DISPLAY MODULE WITH P.C. BOARD ASSEMBLY (FRENCH/GERMAN/ITALIAN)				X
4	317064-904	LCD DISPLAY MODULE WITH P.C. BOARD ASSEMBLY (NORWEGIAN/SWEDISH/FINNISH)				X
4	317064-905	LCD DISPLAY MODULE WITH P.C. BOARD ASSEMBLY (GREEK/SPANISH/PORTUGUESE)				X
4	317064-906	LCD DISPLAY MODULE WITH P.C. BOARD ASSEMBLY (DUTCH/FRENCH/DANISH)				X
4	317064-907	LCD DISPLAY MODULE WITH P.C. BOARD ASSEMBLY (ENGLISH/FRENCH/SPANISH)				X
5	317480-451	LCD P.C. BOARD MOUNTING SCREW				X
6	446138	WASHER				X
7	179967-456	SPOOL PIN THREAD LEAD-OFF				X X X
8	354927-001	ARM TOP COVER MOUNTING SCREW				X X X
9	354954-451	ARM TOP COVER MOUNTING SCREW (RIGHT FRONT)				X X X
10	502495-451	CONTROL PANEL SCREW WASHER				X X X
11	113455-001	CONTROL PANEL SCREW				X X X

ARM SHAFT DRIVE SYSTEM  
 MODEL:9130,33,37,43

REF. PART NO.	DESCRIPTION	9	9	9	9
		1	1	1	1
		3	3	3	4
		0	3	7	3
1	113455-001 ARM SHAFT (HORIZONTAL) BUSHING (LEFT & RIGHT) CLAMP SCREW	X	X	X	X
2	312796 ARM SHAFT (HORIZONTAL) BUSHING (LEFT & RIGHT) CLAMP ASSEMBLY	X	X	X	X
3	313111-001 ARM SHAFT ASSEMBLY (CENTAUR)		X	X	X
3	313111-002 ARM SHAFT ASSEMBLY (APOLLO)	X			
4	603975-011 BELT (ROTATING HOOK DRIVE) ALT:603975-012	X	X	X	X
5	313195 IDLER BRACKET ASSEMBLY	X	X	X	X
6	314041-451 ROTATING HOOK DRIVING BELT TENSION ADJUSTER SCREW WASHER	X	X	X	X
7	113455-002 ROTATING HOOK DRIVING BELT TENSION ADJUSTER SCREW	X	X	X	X
8	313153 HAND WHEEL RETAINING RING	X			
9	314010 ROTATING HOOK DRIVE SHAFT SUB-ASSEMBLY	X	X	X	X
10	313816 ROTATING HOOK DRIVE SHAFT BUSHING (SELF-ALIGNING) CLAMP	X	X	X	X
11	314013-451 ROTATING HOOK DRIVE SHAFT BUSHING (SELF-ALIGNING) CLAMP SCREW AND ARM SHAFT BUSHING CLAMP SCREW LOCK WASHER	X	X	X	X





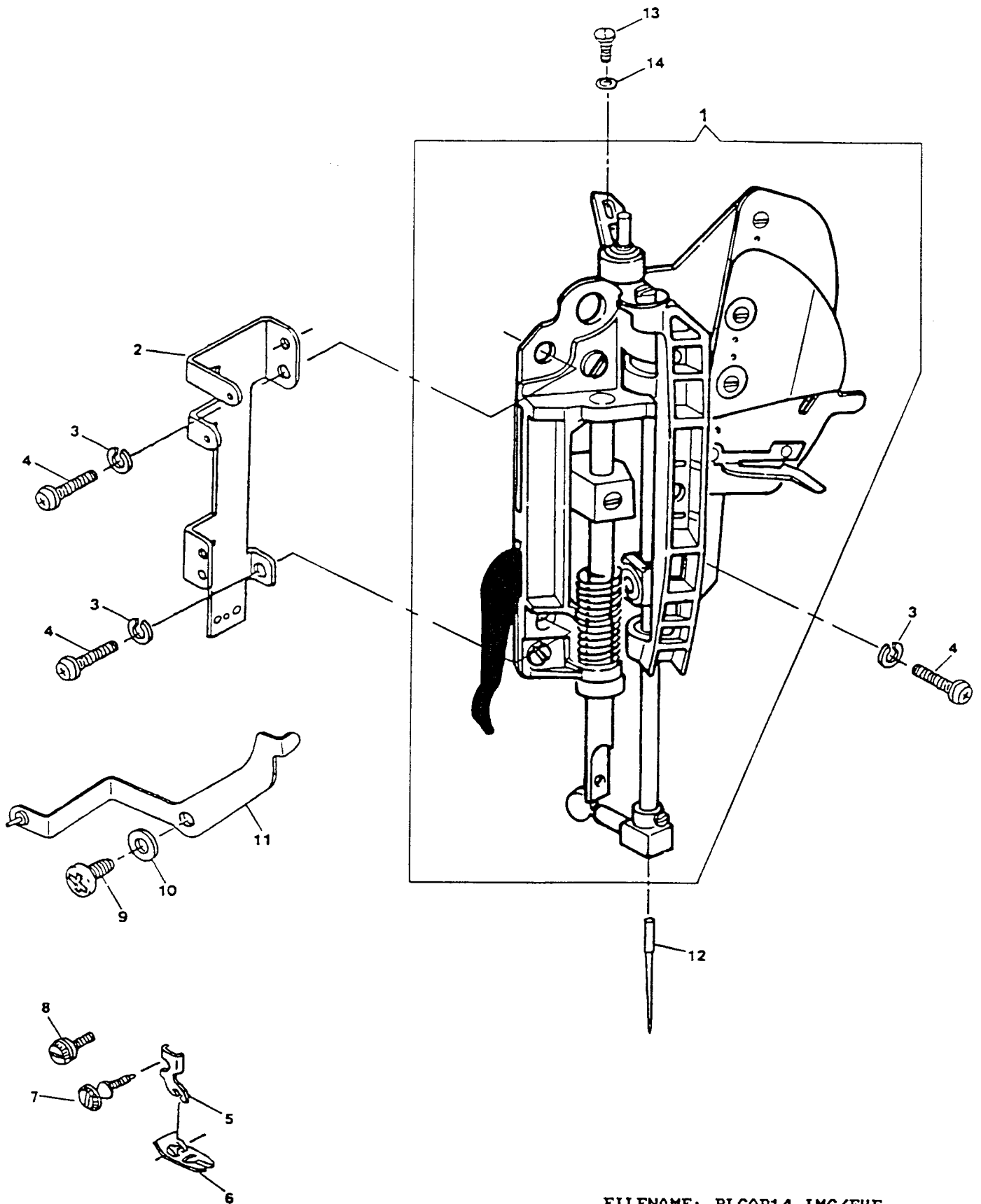
HAND WHEEL  
 MODEL:9130,33,37,43

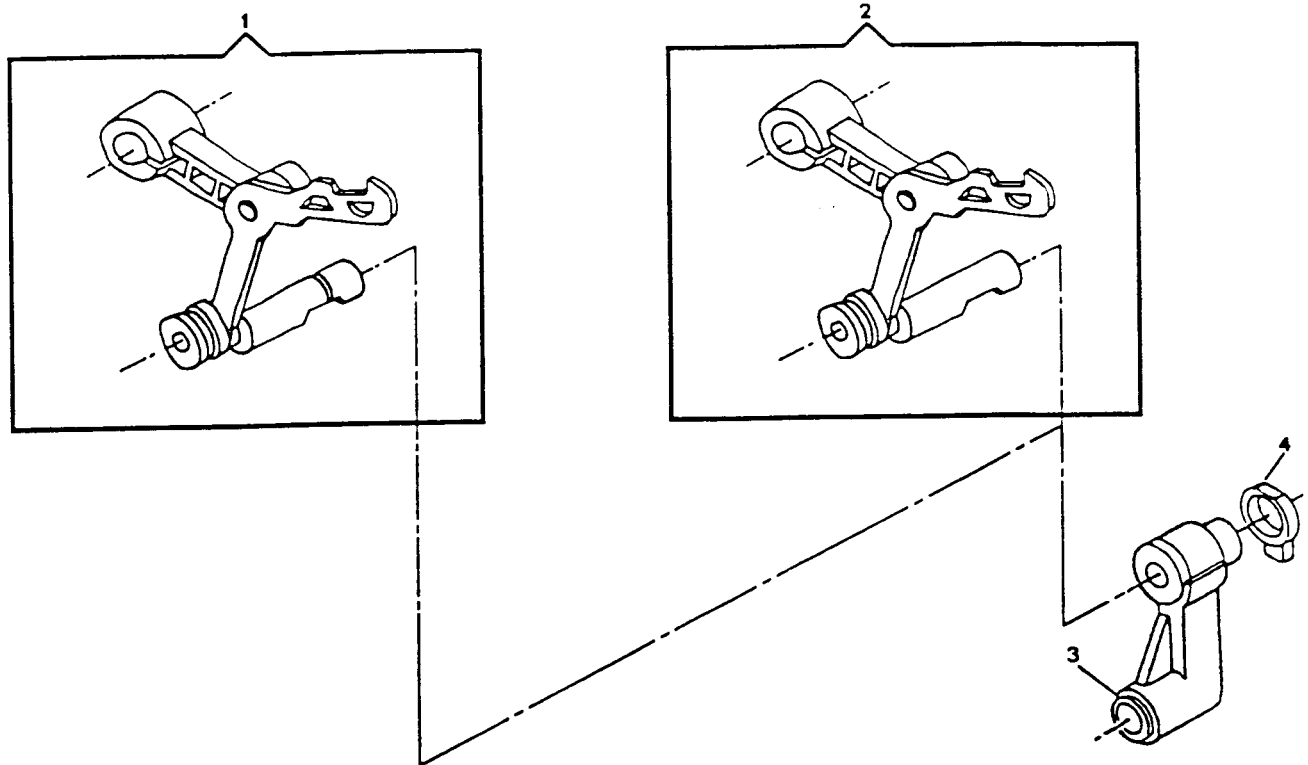
REF. PART NO.	PART NO.	DESCRIPTION	9	9	9	9
			1	1	1	1
			3	3	3	4
			0	3	7	3
1	317358-001	HAND WHEEL ASSEMBLY		X	X	X
2	317359-451	HAND WHEEL COVER		X	X	X
3	313185-453	HAND WHEEL CLUTCH PLATE ASSEMBLY		X		
4	314733-900	HAND WHEEL ACCESS PLATE		X		
5	312628-001	BELT (MOTOR DRIVE) ALT:979285-001		X	X	X X
6	312625-453	HAND WHEEL		X		
7	313153	HAND WHEEL RETAINING RING		X		

COAXIAL PRESSER BAR SYSTEM FOR NEW HEAD END  
 MODEL:9130,33,37,43

REF. PART NO.	PART NO.	DESCRIPTION	9	9	9	9
			1	1	1	1
			3	3	3	4
			0	3	7	3
1	314695	HEAD END MODULE (APOLLO)	X			
1	314700	HEAD END MODULE (CENTAUR)		X	X	X
2	314591	FACE PLATE MOUNTING BRACKET	X	X	X	X
3	313955-451	HEAD END MOUNTING PLATE LOCK WASHER	X	X	X	X
4	113455-012	HEAD END MOUNTING PLATE SCREW	X	X	X	X
5	163706-451	PRESSER FOOT SHANK (SNAP-ON)	X	X	X	X
6	313150	PRESSER FOOT PLATE (SNAP-ON) FOR ZIG-ZAG SEWING	X	X	X	X
7	113531-451	PRESSER FOOT THUMB SCREW	X			
8	314627-451	PRESSER FOOT THUMB SCREW & BOBBIN WINDER THREAD HOLDER		X	X	X
9	113455-001	NEEDLE THREAD TENSION RELEASE LEVER HINGE SCREW	X	X	X	X
10	314041-451	NEEDLE THREAD TENSION RELEASE LEVER RETAINING WASHER	X	X	X	X
11	314589	NEEDLE THREAD TENSION RELEASE LEVER ASSEMBLY	X	X	X	X
12	N2045	NEEDLE (SIZE NO.14, IN MACHINE)	X	X	X	X
13	113408-001	NEEDLE BAR DRIVING ARM BALL JOINT SCREW	X	X	X	X
14	931929-004	NEEDLE BAR DRIVING ARM BALL JOINT SCREW WASHER	X	X	X	X





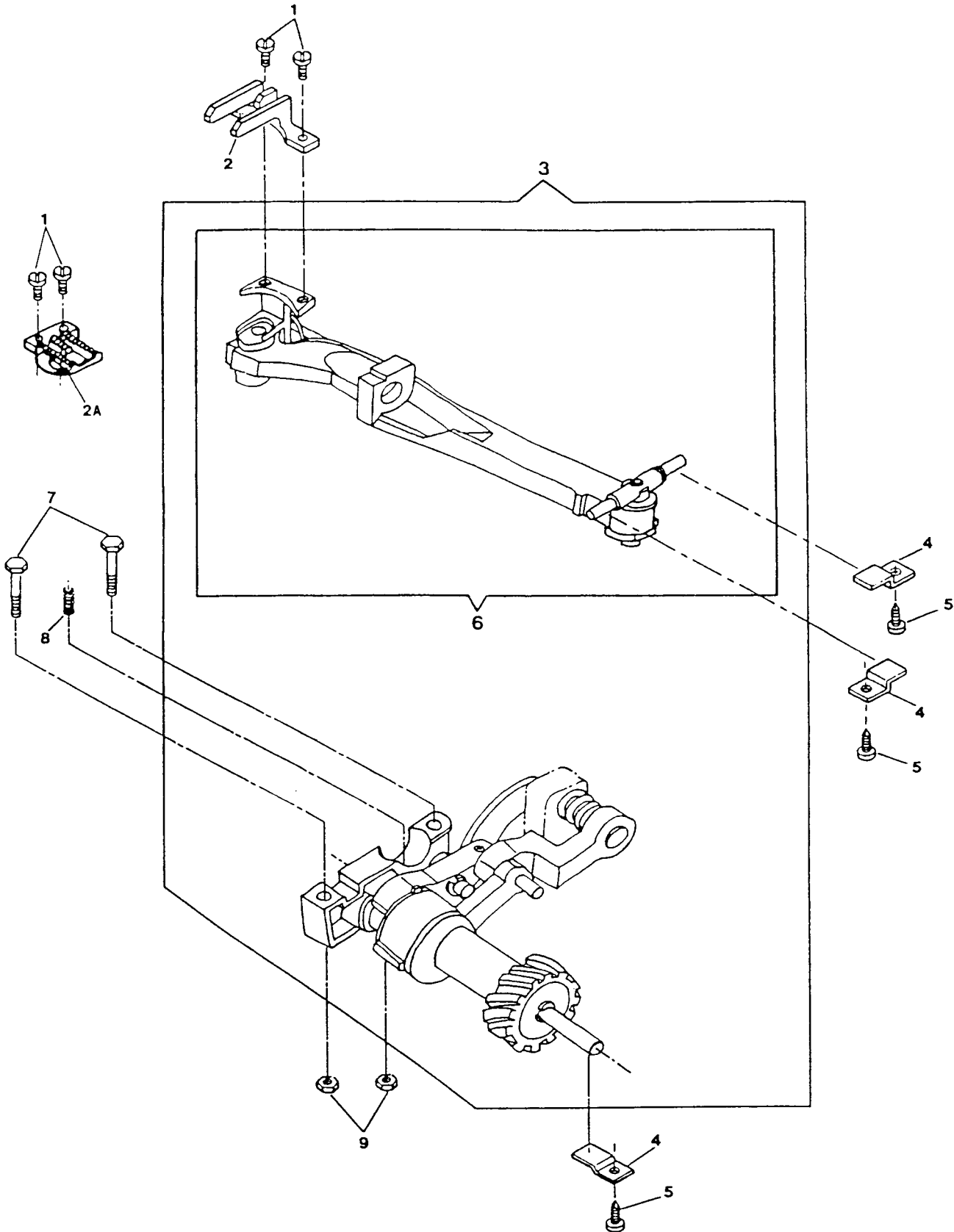


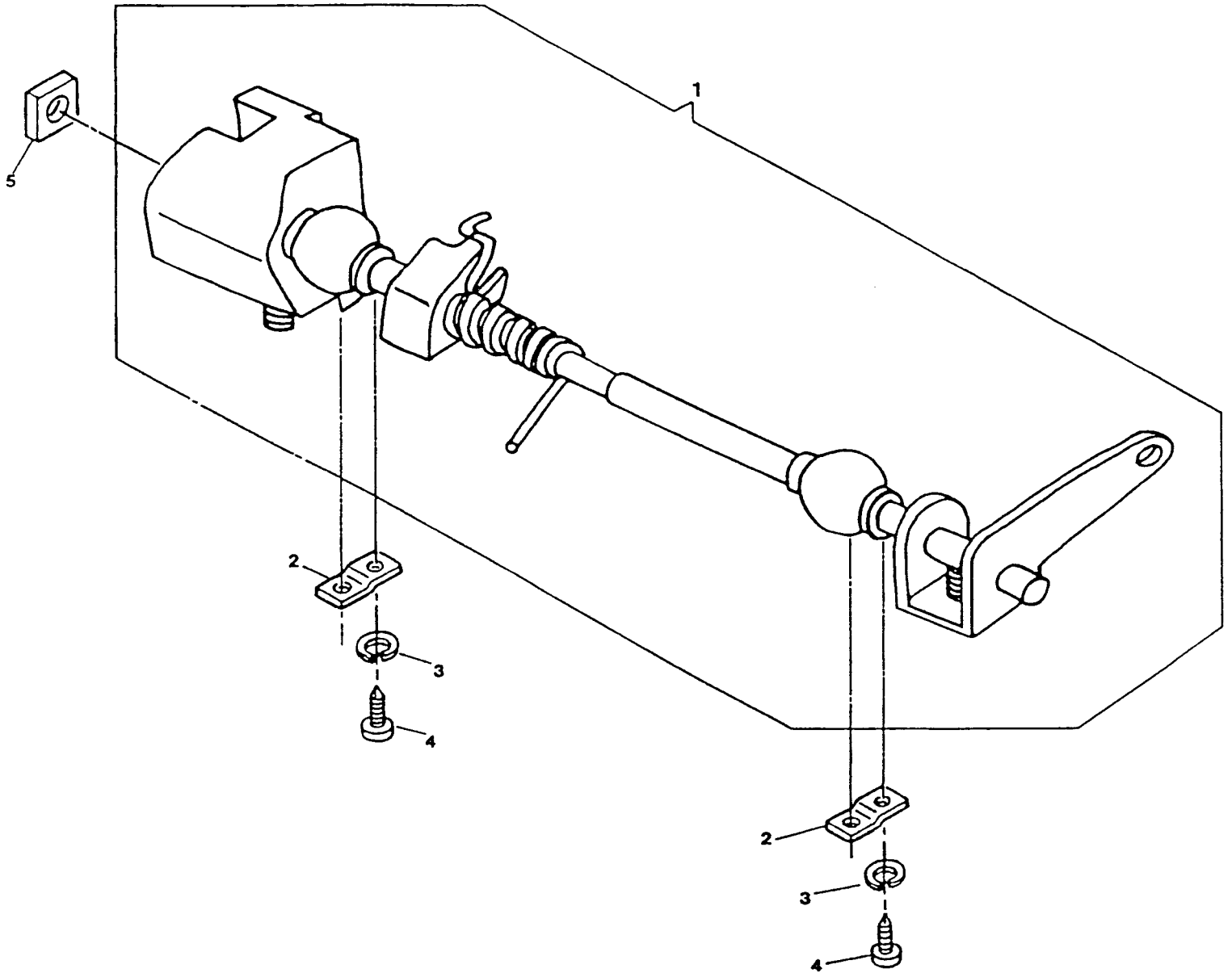
NEEDLE BAR & THREAD TAKE-UP FOR NEW HEAD END  
 MODEL:9130,33,37,43

REF. PART NO.	PART NO.	DESCRIPTION	9	9	9	9
			1	1	1	1
			3	3	3	4
			0	3	7	3
1	314694	THREAD TAKE-UP COMPLETE (APOLLO)	X			
2	314699	THREAD TAKE-UP COMPLETE (CENTAUR)		X	X	X
3	313533	NEEDLE BAR CONNECTING LINK ASSEMBLY	X	X	X	X
4	314146	NEEDLE BAR CONNECTING LINK SPACER	X	X	X	X

ALPHA FEED  
 MODEL:9130,33,37,43

REF. PART NO.	PART NO.	DESCRIPTION	9	9	9	9
			1	1	1	1
			3	3	3	4
			0	3	7	3
1	141920-452	FEED DOG SCREW	X	X	X	X
2	313021	FEED DOG (ZINC) (CENTAUR)		X	X	X
2A	312679	FEED DOG (APOLLO) ALT:313171	X			
3	314140-001	ALPHA FEED MODULE		X	X	X
3	314140-002	ALPHA FEED MODULE ALT:313011	X			
4	312851	FEED BAR PIVOT HINGE STUD CLAMP	X	X	X	X
5	113455-003	CLAMP SCREW	X	X	X	X
6	314141	FEED BAR ASSEMBLY	X	X	X	X
7	354921-451	FEED & ROTATING HOOK DRIVE SHAFT BEARING BLOCK SCREW	X	X	X	X
8	314070	ROTATING HOOK DRIVE SHAFT BUSHING SPRING	X	X	X	X
9	514674-451	FEED & ROTATING HOOK DRIVE SHAFT BEARING BLOCK MOUNTING SCREW NUT	X	X	X	X





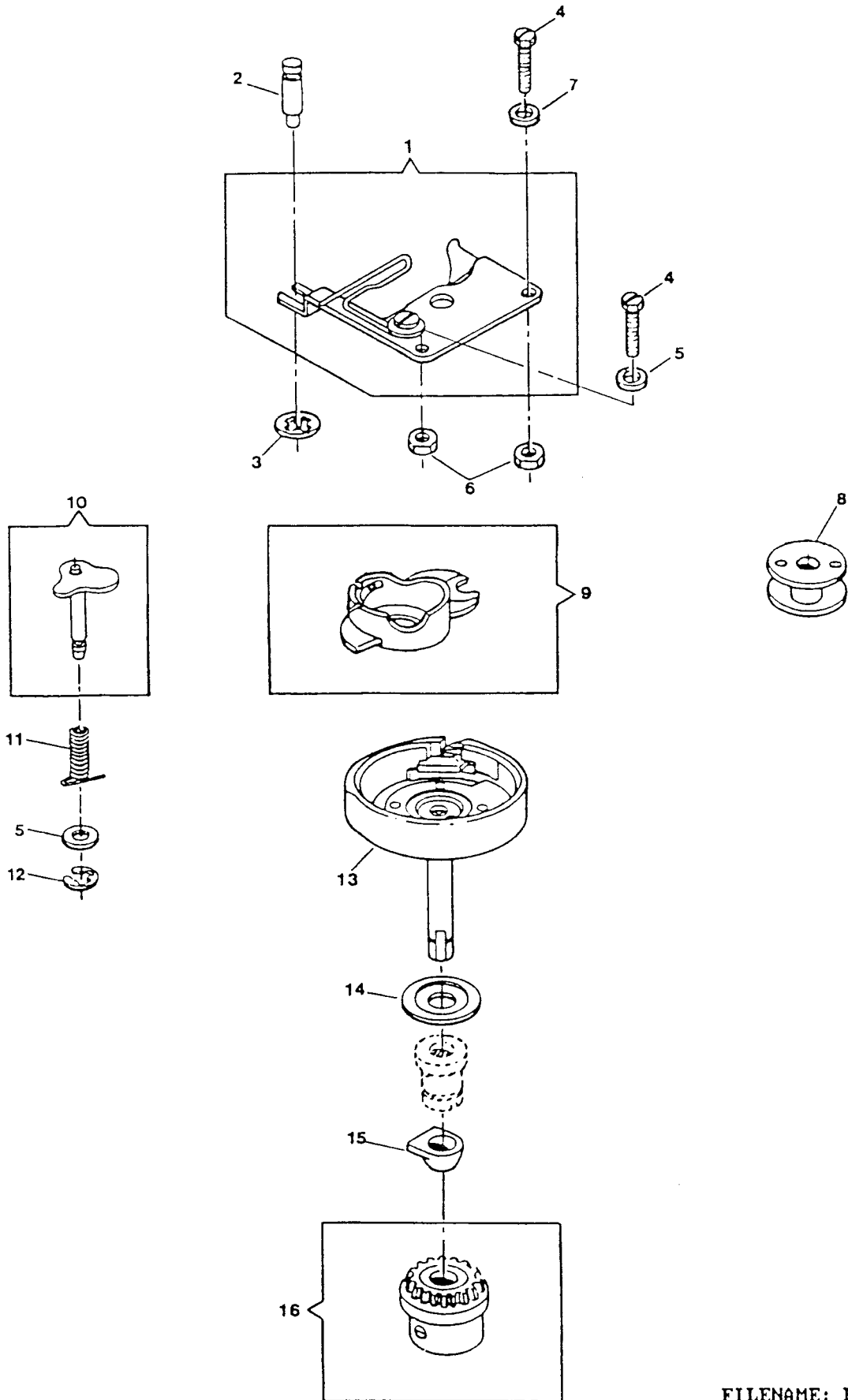
ALPHA FEED (CONT.)  
 MODEL:9130,33,37,43

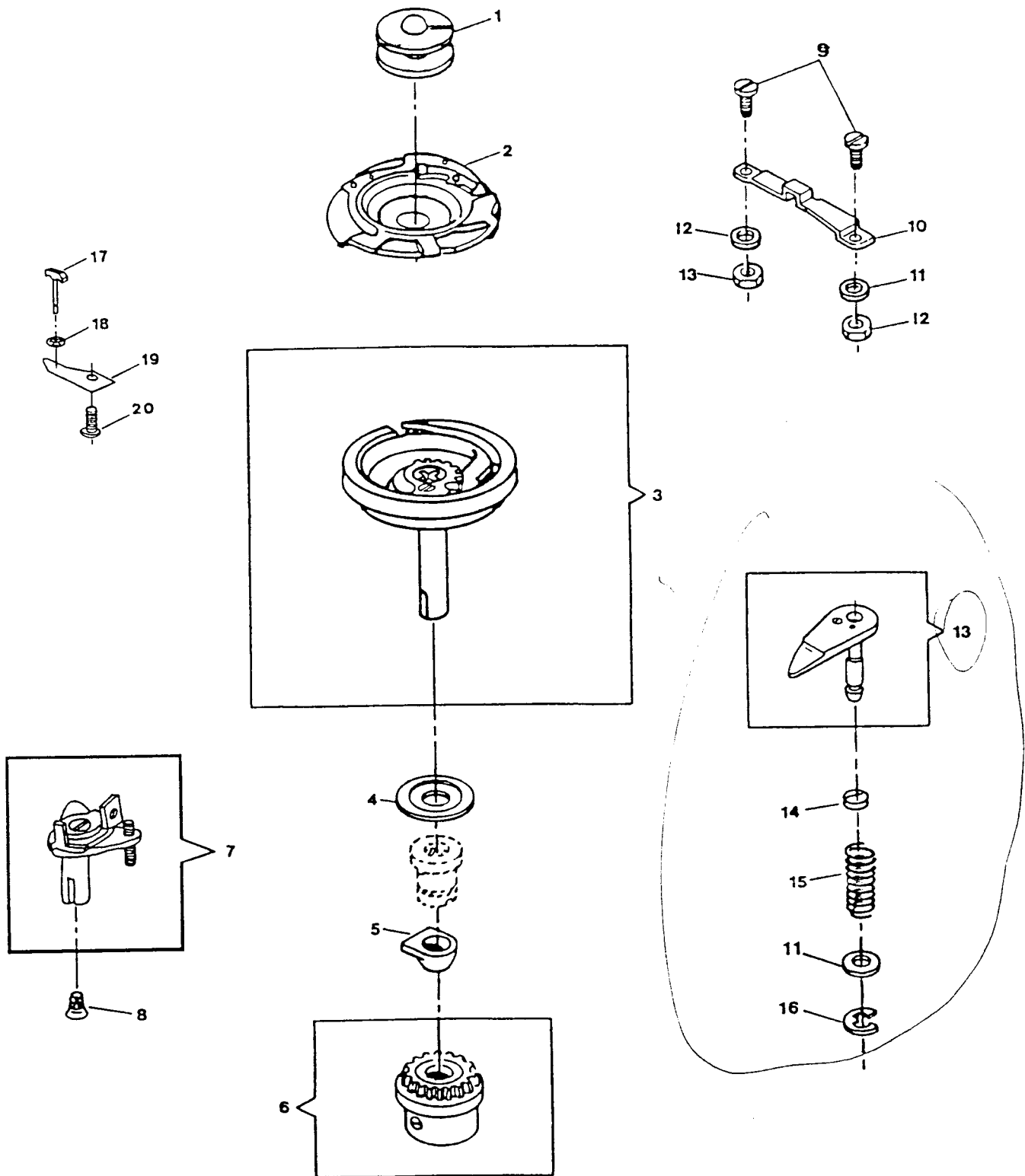
REF. PART NO.	PART NO.	DESCRIPTION	9	9	9	9
			1	1	1	1
			3	3	3	4
			0	3	7	3
1	313133	FEED REGULATOR SHAFT ASSEMBLY	X	X	X	X
2	313816	FEED REGULATOR SHAFT BUSHING (SELF-ALIGNING) CLAMP	X	X	X	X
3	314013-451	FEED REGULATOR SHAFT BUSHING (SELF-ALIGNING) CLAMP SCREW LOCK WASHER	X	X	X	X
4	113455-001	FEED REGULATOR SHAFT BUSHING (SELF-ALIGNING) CLAMP SCREW	X	X	X	X
5	511030	FEED REGULATOR SLIDE BLOCK	X	X	X	X

HOOK SYSTEM (APOLLO)  
MODEL:9130,33,37,43

REF. PART NO.	NO.	DESCRIPTION	9	9	9	9
			1	1	1	1
			3	3	3	4
			0	3	7	3
1	313089	ROTATING HOOK BOBBIN CASE POSITION PLATE ASSEMBLY				X
2	312603	ROTATING HOOK BOBBIN CASE POSITION PLATE HOLD DOWN STUD				X
3	313161	ROTATING HOOK BOBBIN CASE POSITION PLATE HOLD DOWN STUD RETAINER				X
4	113439-451	ROTATING HOOK BOBBIN CASE POSITION PLATE SCREW				X
5	313190-451	ROTATING HOOK BOBBIN CASE POSITION PLATE SCREW WASHER (LEFT)				X
6	313945-451	ROTATING HOOK BOBBIN CASE POSITION PLATE SCREW NUT				X
7	446138	ROTATING HOOK BOBBIN CASE POSITION PLATE SCREW WASHER (RIGHT)				X
8	172336	ROTATING HOOK BOBBIN (PLASTIC)				X
9	421325	ROTATING HOOK BOBBIN CASE COMPLETE				X
10	312846	ROTATING HOOK BOBBIN CASE RETAINING PLATE SUB-ASSEMBLY				X
11	312607	ROTATING HOOK BOBBIN CASE RETAINING PLATE STUD SPRING				X
12	313783	ROTATING HOOK BOBBIN CASE RETAINING PLATE STUD RETAINING RING				X
13	447926-930	ROTATING HOOK COMPLETE				X
14	314049	ROTATING HOOK FLANGED BUSHING THRUST WASHER				X
15	312847	ROTATING HOOK FLANGED BUSHING WASHER				X
16	314012	ROTATING HOOK BEVEL GEAR COMPLETE				X





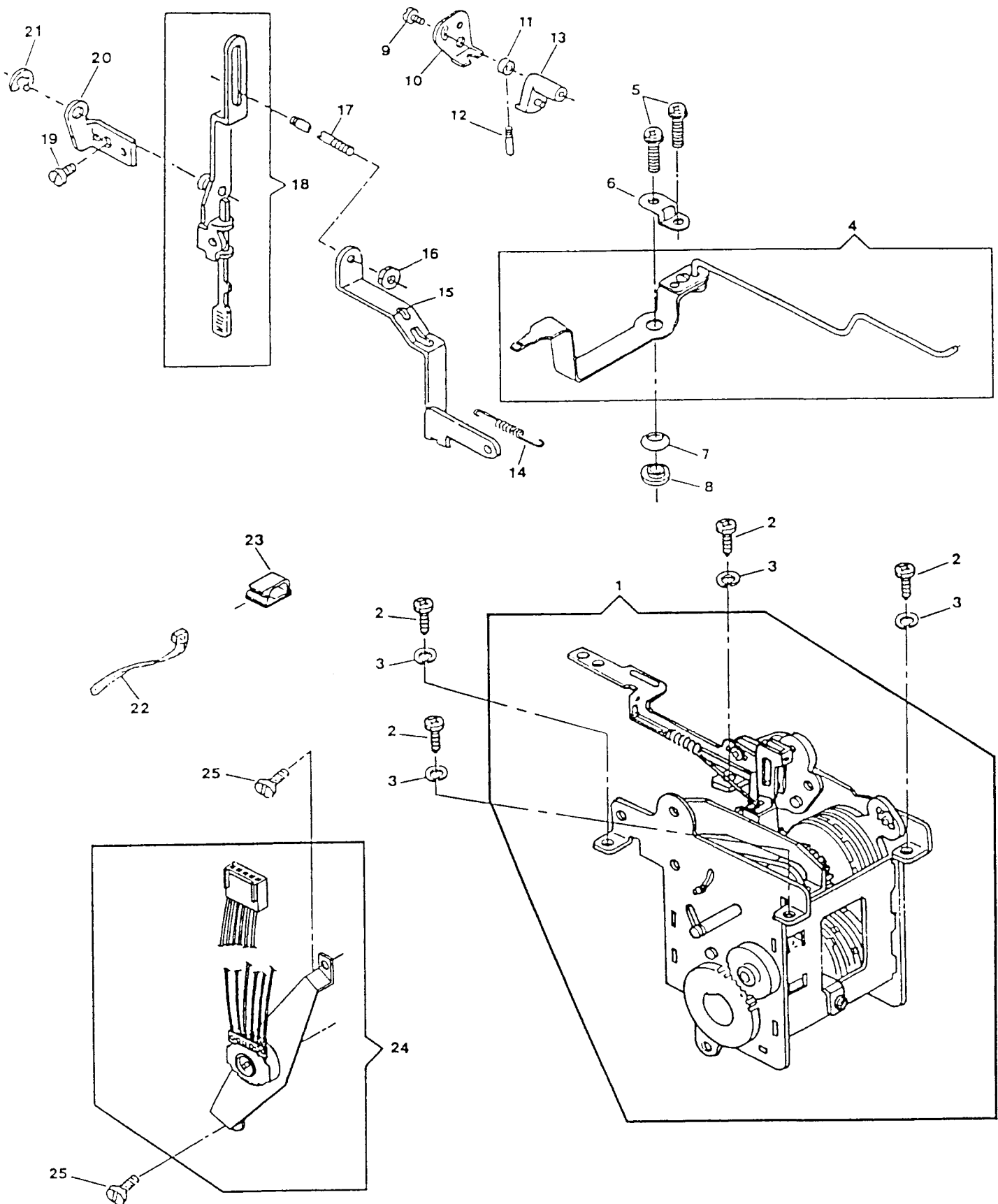


HOOK AND BOBBIN WINDING SYSTEM (CENTAUR)  
MODEL:9130,33,37,43

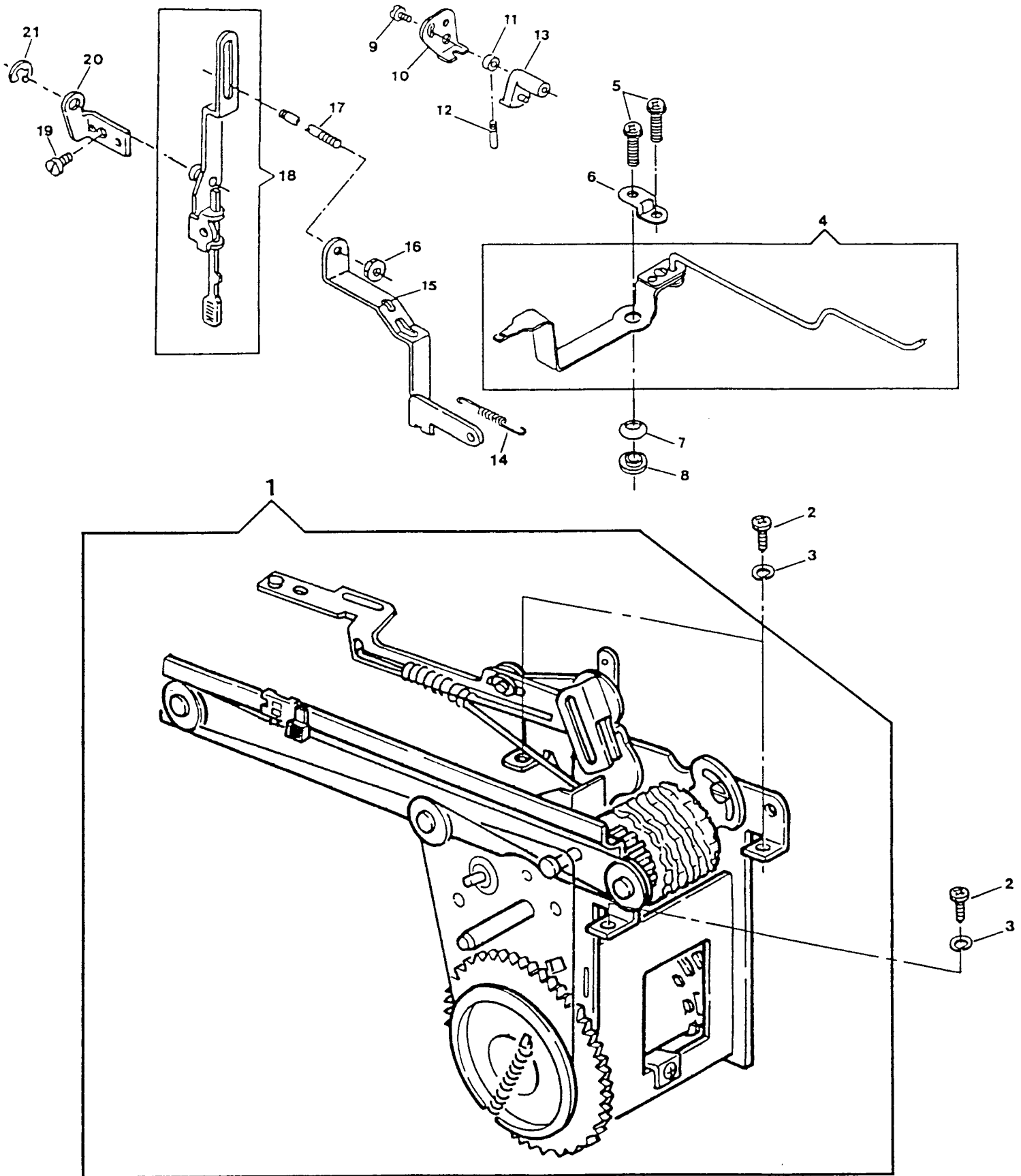
REF. PART NO.	PART NO.	DESCRIPTION	9	9	9	9
			1	1	1	1
			3	3	3	4
			0	3	7	3
1	312956	BOBBIN			X	X X
2	314662	ROTATING HOOK BOBBIN CASE COMPLETE (USED WITH 314025)			X	X X
3	447926-930	ROTATING HOOK ASSEMBLY			X	X X
4	314049	ROTATING HOOK FLANGED BUSHING THRUST WASHER			X	X X
5	312847	ROTATING HOOK FLANGED BUSHING WASHER			X	X X
6	314012	ROTATING HOOK BEVEL GEAR COMPLETE			X	X X
7	313956	BED SLIDE ACTUATING LEVER ASSEMBLY			X	X X
8	354929-451	BED SLIDE ACTUATING LEVER STUD SCREW			X	X X
9	113439-451	ROTATING HOOK BOBBIN CASE POSITION PLATE SCREW			X	X X
10	312738	ROTATING HOOK BOBBIN CASE POSITION PLATE			X	X X
11	313190-451	ROTATING HOOK BOBBIN CASE POSITION PLATE SCREW WASHER			X	X X
12	313945-451	ROTATING HOOK BOBBIN CASE POSITION PLATE SCREW NUT			X	X X
13	313088	ROTATING HOOK BOBBIN CASE RETAINING PLATE COMPLETE			X	X X
14	313930	ROTATING HOOK BOBBIN CASE RETAINING PLATE RETURN SPRING			X	X X
15	314072	ROTATING HOOK BOBBIN CASE RETAINING PLATE SPRING			X	X X
16	312702	ROTATING HOOK BOBBIN CASE RETAINING PLATE SPRING RETAINING RING			X	X X
17	314766	BED SLIDE STOP PIN			X	X X
18	314767	BED SLIDE STOP PIN SPRING			X	X X
19	214768	STOP PIN RETAINING RING			X	X X
20	113455-006	SCREW			X	X X

PATTERN, STITCH LENGTH CONTROL & CAM CONTROLLED FEED (CONT.)  
 MODEL:9130,33,37,43

REF. PART NO.	PART NO.	DESCRIPTION	9	9	9	9
			9	9	9	9
			1	1	1	1
			3	3	3	4
			0	3	7	3
1	317252	PATTERN SELECTOR MODULE				X
2	113455-001	DISC SELECTOR MECHANISM MOUNTING PLATE SCREW (LEFT AND RIGHT)				X
3	314013-451	DISC SELECTOR MECHANISM MOUNTING PLATE SCREW (LEFT AND RIGHT) LOCK				X
4	314607	BIGHT AMPLITUDE CONTROL LEVER ASSEMBLY				X
5	113455-014	BIGHT AMPLITUDE CONTROL LEVER STOP ADJUSTMENT SCREW				X
6	314683	BIGHT AMPLITUDE CONTROL LEVER RETAINER				X
7	353457	BIGHT AMPLITUDE CONTROL LEVER FRICTION WASHER				X
8	314611	BIGHT AMPLITUDE CONTROL LEVER SHOULDER WASHER				X
9	354935-451	BUTTONHOLE ACTUATOR CAM ADJUSTING BRACKET SCREW				X
10	313073	BUTTONHOLE ACTUATOR CAM ADJUSTING BRACKET				X
11	313022	BUTTONHOLE FOLLOWER HUB RELEASE				X
12	313023	BUTTONHOLE FOLLOWER HUB RELEASE PIN				X
13	313025	BUTTONHOLE ACTUATOR CAM				X
14	313799	BUTTONHOLE ACTUATOR ADJUSTING ROD SPRING				X
15	313005	BUTTONHOLE DISC CONTROL CATCH RELEASE LINK				X
16	314763-451	BUTTONHOLE TRIPPING ROD ADJUSTING & LOCKING NUT				X
17	312982	BUTTONHOLE TRIPPING LEVER ROD				X
18	312994-003	BUTTONHOLE KICK-OUT TRIPPING ROD LEVER ASSEMBLY				X
19	354877-451	BUTTONHOLE PIVOT LEVER SCREW				X
20	313392	BUTTONHOLE LEVER PIVOT				X
21	312685	BUTTONHOLE KICK-OUT SHAFT TRIPPING LEVER RETAINING RING				X
22	540899	TY-WRAP SELF-LOCKING				X
23	317340	SELF-ADHESIVE WIRE CLIP (FC-1)				X
24	317253	ROTARY SWITCH ASSEMBLY COMPLETE				X
25	544211-001	SCREW				X



PATTERN STITCH LENGTH CONTROL AND CAM CONTROLLED FEED (CONT.)



PATTERN, STITCH LENGTH CONTROL & CAM CONTROLLED FEED (CONT.)  
 MODEL:9130,33,37,43

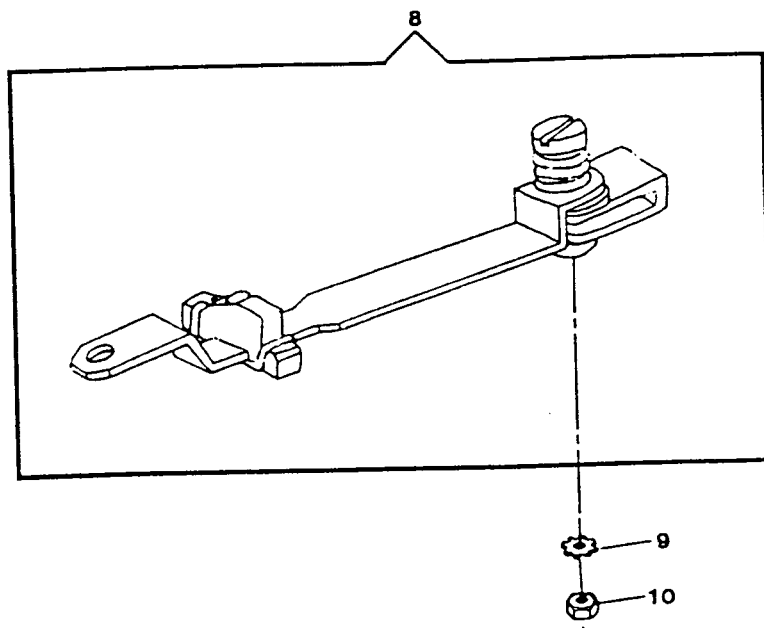
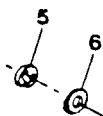
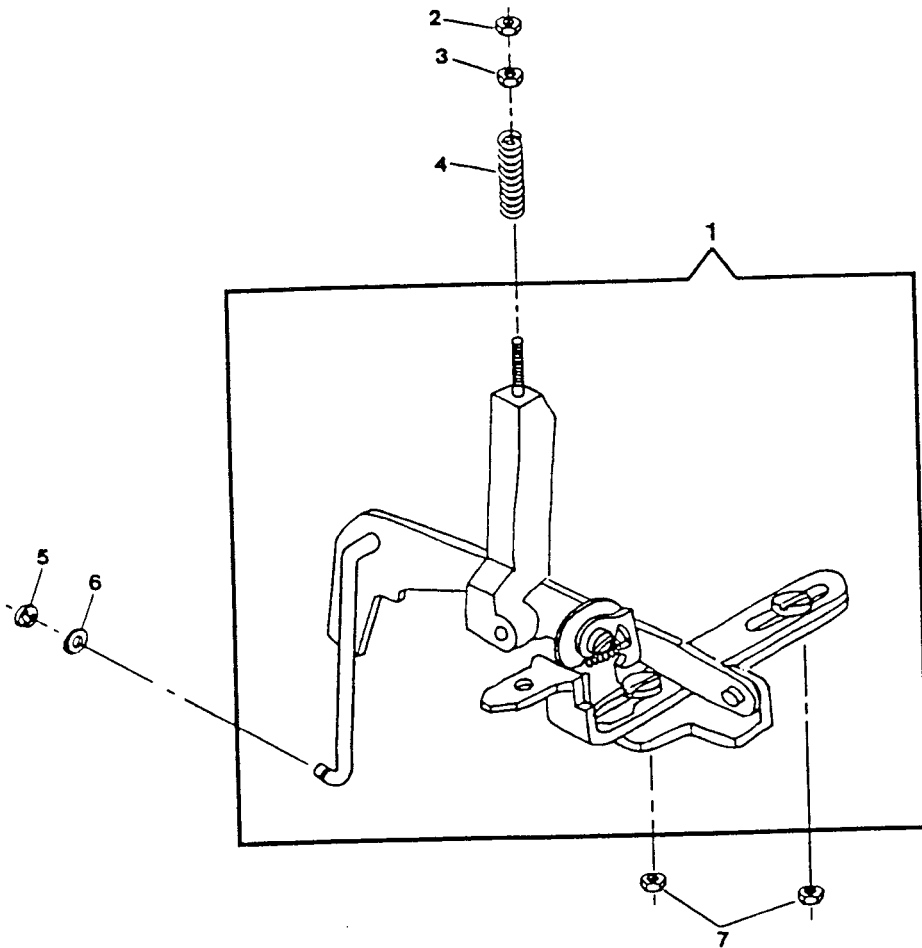
REF. NO.	PART NO.	DESCRIPTION	9	9	9	9
			9	9	9	9
			1	1	1	1
			3	3	3	4
			0	3	7	3
1	314601-013	PATTERN SELECTOR MODULE				X
1	314601-014	PATTERN SELECTOR MODULE				X
1	314613-004	PATTERN SELECTOR MODULE				X
2	113455-001	DISC SELECTOR MECHANISM MOUNTING PLATE SCREW (LEFT AND RIGHT)	X	X	X	
3	314013-451	DISC SELECTOR MECHANISH MOUNTING PLATE SCREW (LEFT AND RIGHT) LOCK	X	X	X	
4	314607	BIGHT AMPLITUDE CONTROL LEVER ASSEMBLY	X	X	X	
5	113455-014	BIGHT AMPLITUDE CONTROL LEVER STOP ADJUSTMENT SCREW	X	X	X	
6	314683	BIGHT AMPLITUDE CONTROL LEVER RETAINER	X	X	X	
7	353457	BIGHT AMPLITUDE CONTROL LEVER FRICTION WASHER	X	X	X	
8	314611	BIGHT AMPLITUDE CONTROL SHOULDER WASHER	X	X	X	
9	354935-451	BUTTONHOLE ACTUATOR CAM ADJUSTING BRACKET SCREW				X
10	313073	BUTTONHOLE ACTUATOR CAM ADJUSTING BRACKET				X
11	313022	BUTTONHOLE FOLLOWER HUB RELEASE				X
12	313023	BUTTONHOLE FOLLOWER HUB RELEASE PIN				X
13	313025	BUTTONHOLE ACTUATOR CAM				X
14	313799	BUTTONHOLE ACTUATOR ADJUSTING ROD SPRING				X
15	313005	BUTTONHOLE DISC CONTROL CATCH RELEASE LINK				X
16	314763-451	BUTTONHOLE TRIPPING ROD ADJUSTING AND LOCKING NUT				X
17	312982	BUTTONHOLE TRIPPING LEVER ROD				X
18	312994-003	BUTTONHOLE KICK-OUT TRIPPING ROD LEVER ASSEMBLY				X
19	354877-451	BUTTONHOLE PIVOT LEVER SCREW				X
20	313392	BUTTONHOLE LEVER PIVOT				X
21	312685	BUTTONHOLE KICK-OUT SHAFT TRIPPING LEVER RETAINING RING				X

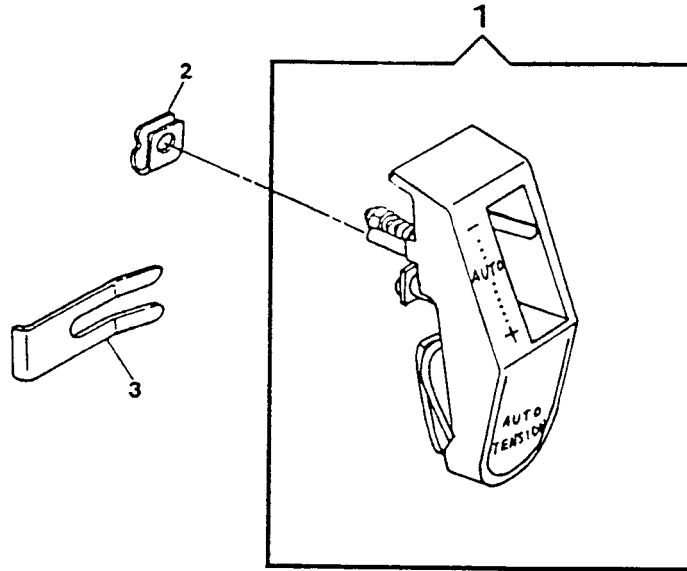
PATTERN, STITCH LENGTH CONTROL & CAM CONTROLLED FEED (CONT.)  
 MODEL:9130,33,37,43

REF. PART NO. NO.	DESCRIPTION	9	9	9	9
		1	1	1	1
		3	3	3	4
		0	3	7	3
1	314300-003 FEED REVERSE MECHANISM	X	X	X	X
2	514674-451 CAM CONTROLLED FEED CONNECTING ROD LOCKING NUT	X	X	X	X
3	312645-451 CAM CONTROLLED FEED DISC FOLLOWER ACTUATOR CONNECTING ROD ADJUSTING	X	X	X	X
4	313143 CAM CONTROLLED FEED DISC FOLLOWER ACTUATOR CONNECTING ROD SPRING	X	X	X	X
5	312702 FEED LEVER CONNECTING LINK RETAINING RING	X	X	X	X
6	313891 CAM CONTROLLED FEED CONNECTING ROD STABILIZING WASHER	X	X	X	X
7	514674-451 REVERSE FEED CONTROL LEVER GUIDE SCREW NUT	X	X	X	X
8	313569-002 STITCH LENGTH CONTROL LEVER ASSEMBLY	X	X	X	X
9	313172-451 STITCH LENGTH CONTROL LEVER PIVOT LOCK WASHER	X	X	X	X
10	313177-451 STITCH LENGTH CONTROL LEVER NUT	X	X	X	X



PATTERN STITCH LENGTH CONTROL AND CAM CONTROLLED FEED (CONT.)





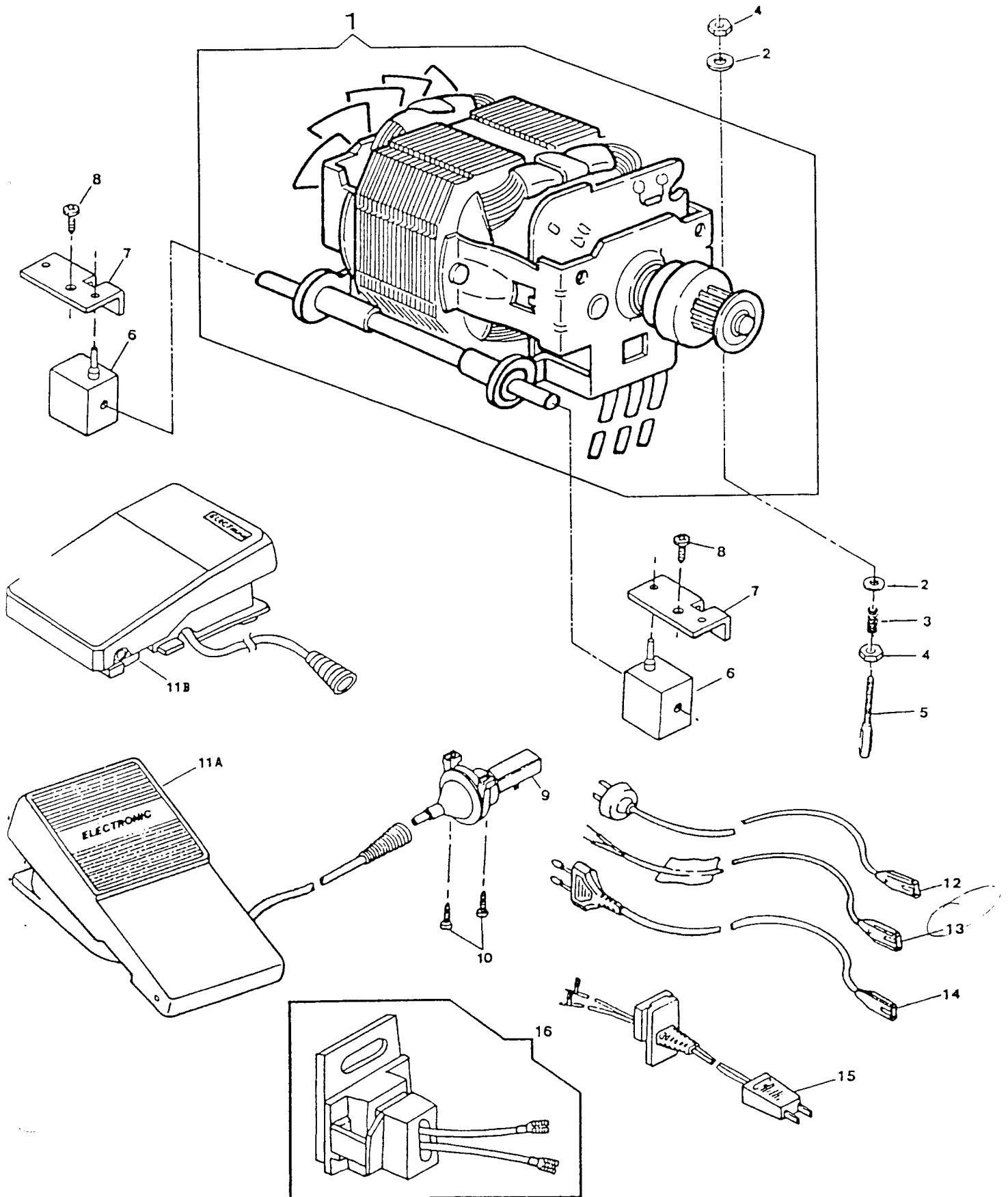
DEMAND RESPONSIVE NEEDLE TENSION SYSTEM  
 MODEL:9130,33,37,43

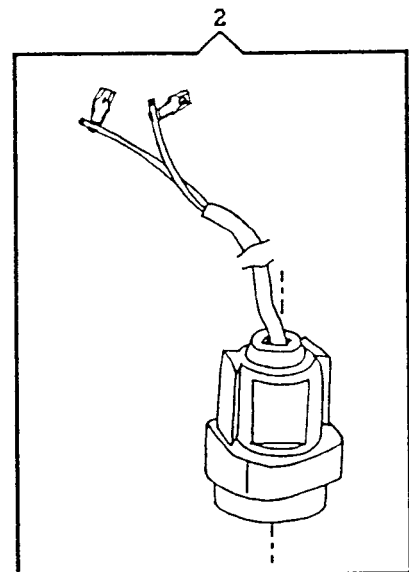
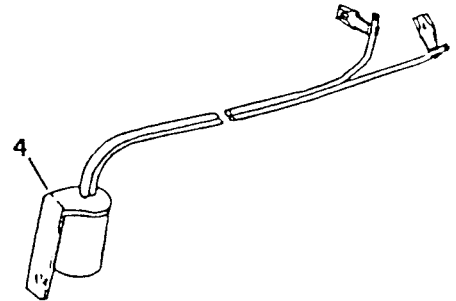
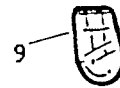
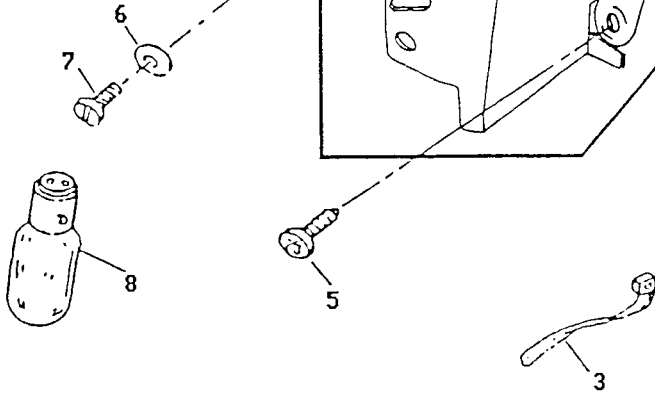
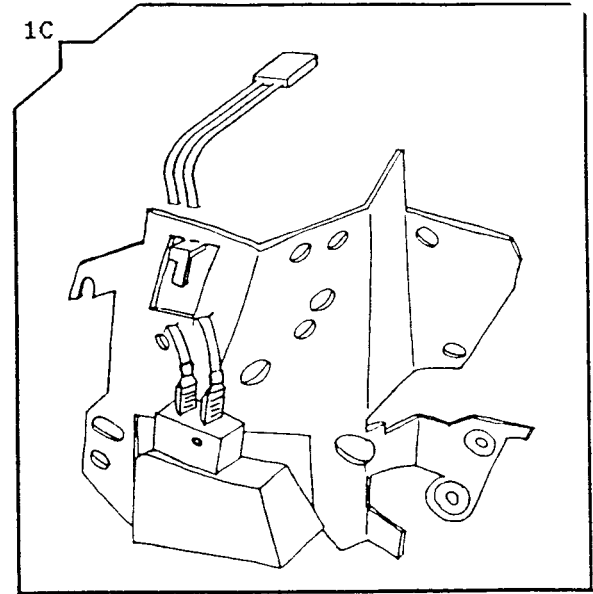
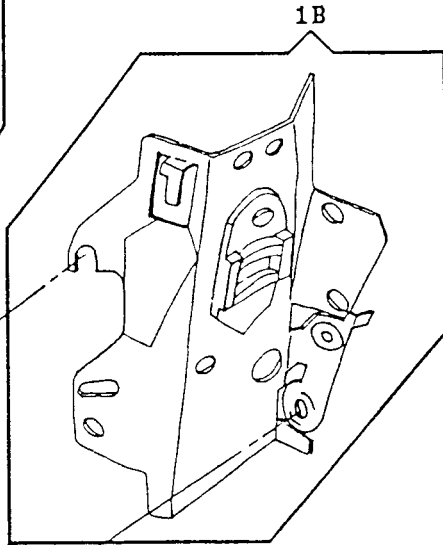
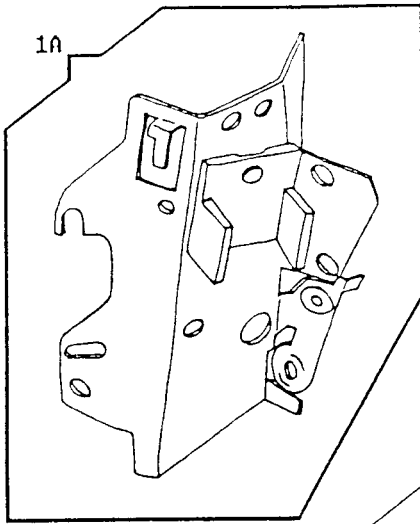
REF. NO.	PART NO.	DESCRIPTION	9	9	9	9
			9	9	9	9
			1	1	1	1
			3	3	3	4
			0	3	7	3
1	317080-001	THREAD TENSION MODULE	X			
1	317080-002	THREAD TENSION MODULE		X		
1	317080-003	THREAD TENSION MODULE			X	
1	317080-004	THREAD TENSION MODULE				X
2	313199	TENSION COVER MOUNTING RETAINER	X	X	X	X
3	313047	TENSION COVER RETAINING CLIP	X	X	X	X

ELECTRICAL EQUIPMENT  
MODEL:9130,33,37,43

REF. PART NO.	DESCRIPTION	9	9	9	9
1	988529-010 MOTOR COMPLETE (CAT. NO. TA4-11) 220/240VOLT (NATIONAL MOTOR)	X	X	X	X
1	988529-022 MOTOR COMPLETE (CAT. NO. TA4-8) 120VOLTS (NATIONAL MOTOR)	X	X	X	X
2	37969 MOTOR ADJUSTING STUD NUT WASHER	X	X	X	X
3	314058 MOTOR BELT TENSION SPRING	X	X	X	X
4	53646 MOTOR ADJUSTING STUD NUT	X	X	X	X
5	988653-001 MOTOR ADJUSTING STUD	X	X	X	X
6	979329-001 RESILIENT MOUNT	X	X	X	X
7	988651-001 CLIP	X	X	X	X
8	113470-004 MOTOR MOUNTING SCREW	X	X	X	X
9	988549-005 PNEUMATIC TRANSDUCER	X	X	X	X
10	113444-003 PNEUMATIC TRANSDUCER MOUNTING SCREW	X	X	X	X
11B	979583-002 PNEUMATIC CONTROLLER ASSEMBLY	X	X	X	X
12	988638-004 APPLIANCE COUPLER (240VOLT) FOR AUSTRALIA	X	X	X	X
13	988638-003 APPLIANCE COUPLER (240VOLT) FOR U.K.	X	X	X	X
14	988638-001 APPLIANCE COUPLER (220VOLT) (FOR EUROPE)	X	X	X	X
16	979651-001 CORD WITH RECEPTACLE (220/240V)	X	X	X	X

(11A) 479583001 electric foot controller 110V





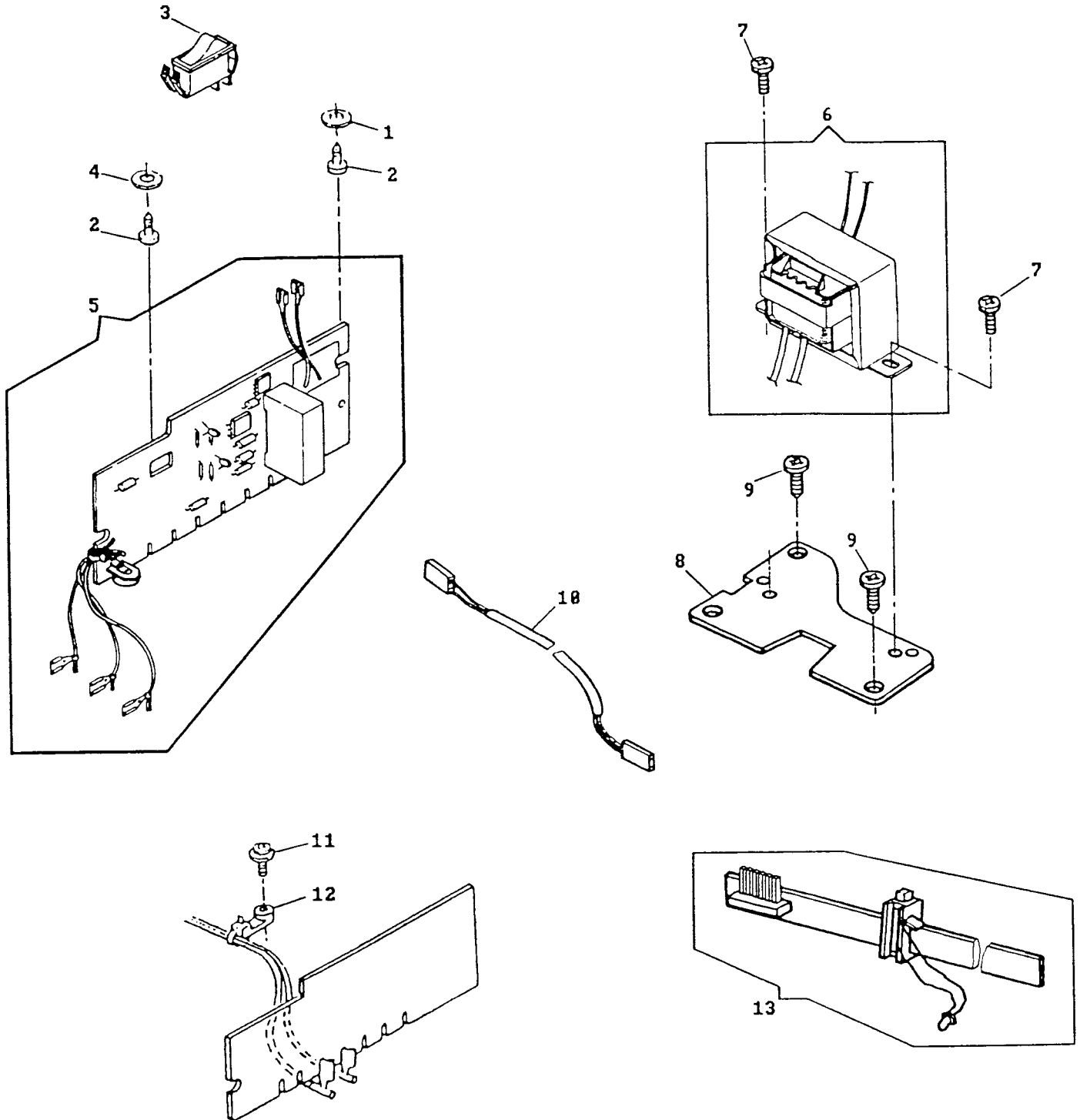
ELECTRICAL EQUIPMENT (CONT.)  
 MODEL:9130,33,37,43

REF. PART NO.	DESCRIPTION	9	9	9	9
		1	1	1	1
		3	3	3	4
		0	3	7	3
1A	314596-001 LINT AND HEAT SHIELD ASSEMBLY (220/240V)	X	X	X	
1B	314596-003 LINT AND HEAT SHIELD ASSEMBLY (120V)	X	X	X	
1C	317095-001 LINT AND HEAT SHIELD ASSEMBLY				X
2	979203-002 LIGHT ASSEMBLY (EUROPE) (220V)	X	X	X	
2	979203-003 LIGHT ASSEMBLY (AUSTRALIA) (240V)	X	X	X	
3	540899 TY-WRAP SELF-LOCKING (ALT:605600-001)	X	X	X	X
4	988728-001 LAMP SOCKET (120V) (US/CANADA)	X	X	X	X
5	113455-003 THREAD TAKE-UP COVER AND LINT/HEAT SHIELD SCREW	X	X	X	X
6	446138 HEAT SHIELD MOUNTING SCREW WASHER	X	X	X	X
7	544211-002 HEAT SHIELD MOUNTING SCREW	X	X	X	
8	194120-021 LIGHT BULB (240V) (ALT:542656-004)	X	X	X	
8	194120-020 LIGHT BULB (220V) (ALT:542656-003)	X	X	X	
8	194120-019 LIGHT BULB (120V) (ALT:542656-005)	X	X	X	
9	979603-001 WEDGE BULB				X

ELECTRICAL EQUIPMENT (CONT.)  
 MODEL:9130,33,37,43

REF. NO.	PART NO.	DESCRIPTION	9	9	9	9
			9	9	9	9
			1	1	1	1
			3	3	3	4
			0	3	7	3
1	988547-002	WASHER	X	X	X	X
2	113444-001	SCREW (P.C. BOARD MOUNTING)	X	X	X	X
3	979585-005	ROCKER SWITCH	X	X	X	X
4	988547-001	WASHER	X	X	X	X
5	979584-001	SPEED CONTROL P.C. BOARD ASSEMBLY (120V) (FULL WAVE)				X
5	979586-001	SPEED CONTROL P.C. BOARD ASSEMBLY (220/240V) (FULL WAVE)				X
5	979612-001	SPEED CONTROL P.C. BOARD ASSEMBLY (220/240V) (SCAND.)				X
5	317278-001	SPEED CONTROL P.C. BOARD ASSEMBLY (120V) (U.S.A./CANADA)	X	X	X	X
5	317366-001	SPEED CONTROL P.C. BOARD ASSEMBLY (220/240V)	X	X	X	X
5	319002-001	SPEED CONTROL P.C. BOARD ASSEMBLY (220V) (SCAND.)	X	X	X	X
6	317346-001	TRANSFORMER ASSEMBLY WITH LEAD (120V)				X
6	317346-002	TRANSFORMER ASSEMBLY WITH LEAD (220V)				X
6	317346-003	TRANSFORMER ASSEMBLY WITH LEAD (240V)				X
7	544211-002	TRANSFORMER MOUNTING SCREW				X
8	317277-902	TRANSFORMER MOUNTING PLATE				X
9	113470-004	TRANSFORMER ASSEMBLY MOUNTING SCREW				X
11	113455-001	SCREW (LIGHT HARNESS)	X	X	X	X
12	604690-001	SELF-LOCKING NYLON CABLE TIE (LIGHT HARNESS)	X	X	X	X





FILENAME: PLCOB38.IMG/EYE

Part No. 173745-092