

MACHINES A COUDRE
SYMPHONIE 500

SINGER^{*} SEWING MACHINE

LIST OF PARTS

Sewing Machine

SINGER*

* Copyright © 1989 SINGER
All Rights Reserved Throughout the World

* A Trademark of THE SINGER COMPANY

List of parts

Sewing Machine

XL-1

CONTENTS

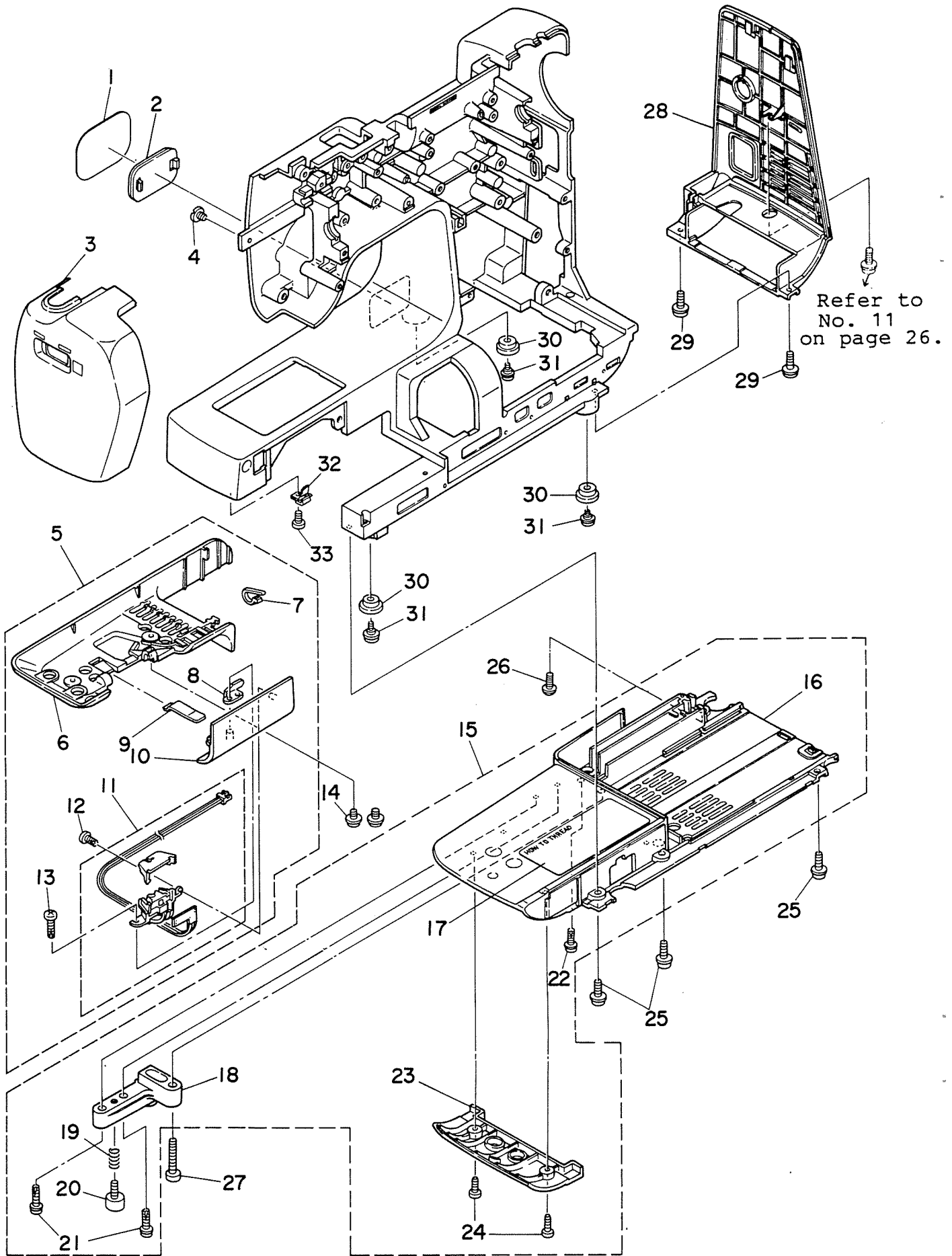
	(Page)
1. COVER COMPONENTS	1
2. THREAD GUIDE COVER, MICRO COMPUTER CIRCUIT BOARD COMPONENTS	3
3. FRONT PANEL COMPONENTS	5
4. MAIN SHAFT, IDLER PULLEY COMPONENTS	7
5. FACE PLATE, ENCODER, SOLENOID No.1 COMPONENTS	9
6. SOLENOID No.2, THREAD SENSOR GUIDE, TENSION RELEASING PLATE COMPONENTS	11
7. NEEDLE BAR, PRESSER BAR COMPONENTS	13
8. THREAD TRIMMER LINK, MOVING KNIFE COMPONENTS	15
9. HOOK, HOOK DRIVING SHAFT COMPONENTS	17
10. FEED DOG, FEED ROCK SHAFT COMPONENTS	19
11. BOBBIN WINDER COMPONENTS	21
12. NEEDLE BAR ROCKING STM, FEED STM COMPONENTS	23
13. POWER CIRCUIT BOARD, MAIN MOTOR COMPONENTS	25
14. OPTIONAL PARTS, ACCESSORIES PARTS COMPONENTS	27
15. NUMERICAL INDEX OF PARTS	29

(Note)

The part which has an asterisk (*) before its part number is not separately available as a spare part so that the accuracy in assembling and smoothness in component investigation are assured.

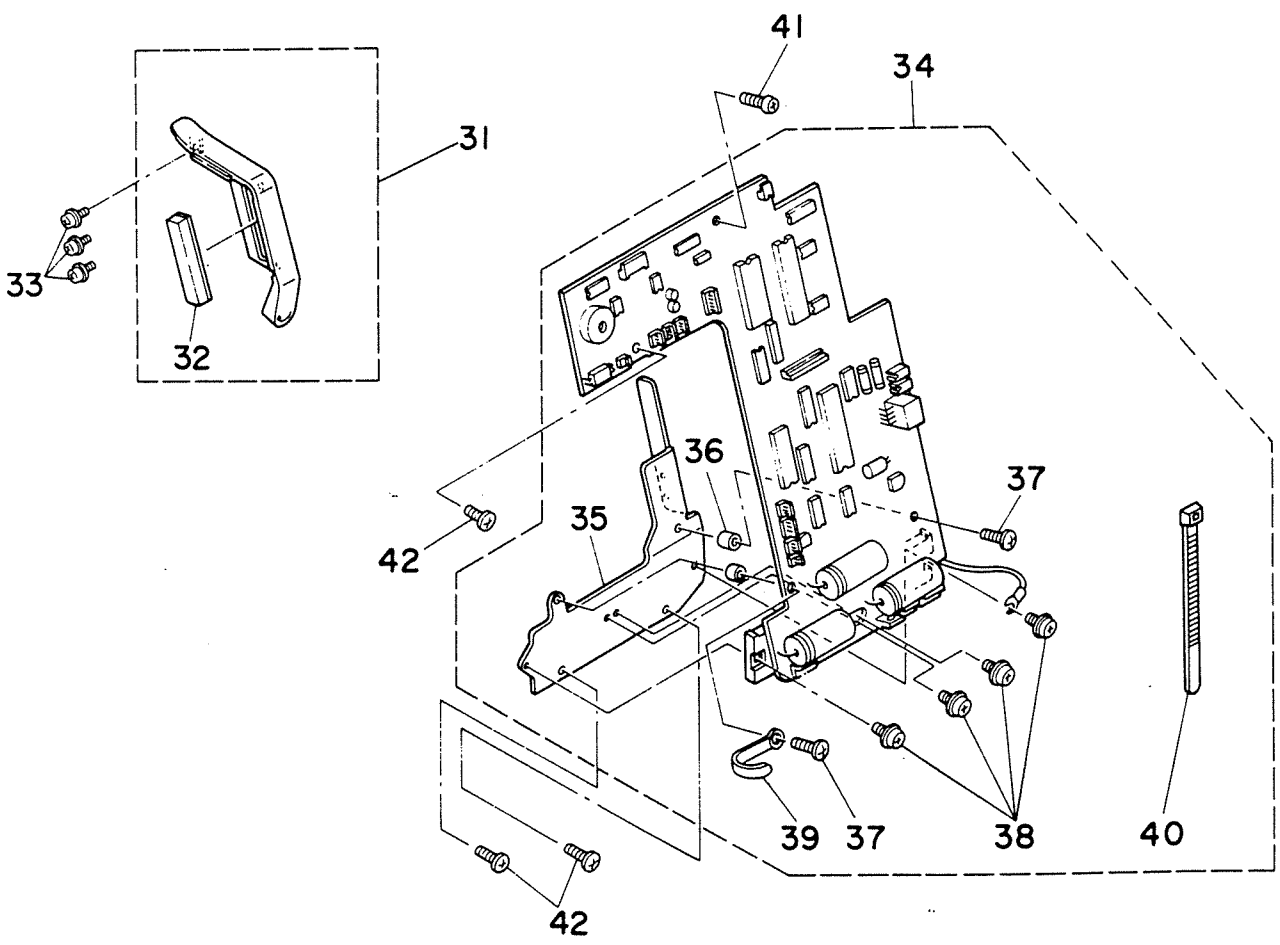
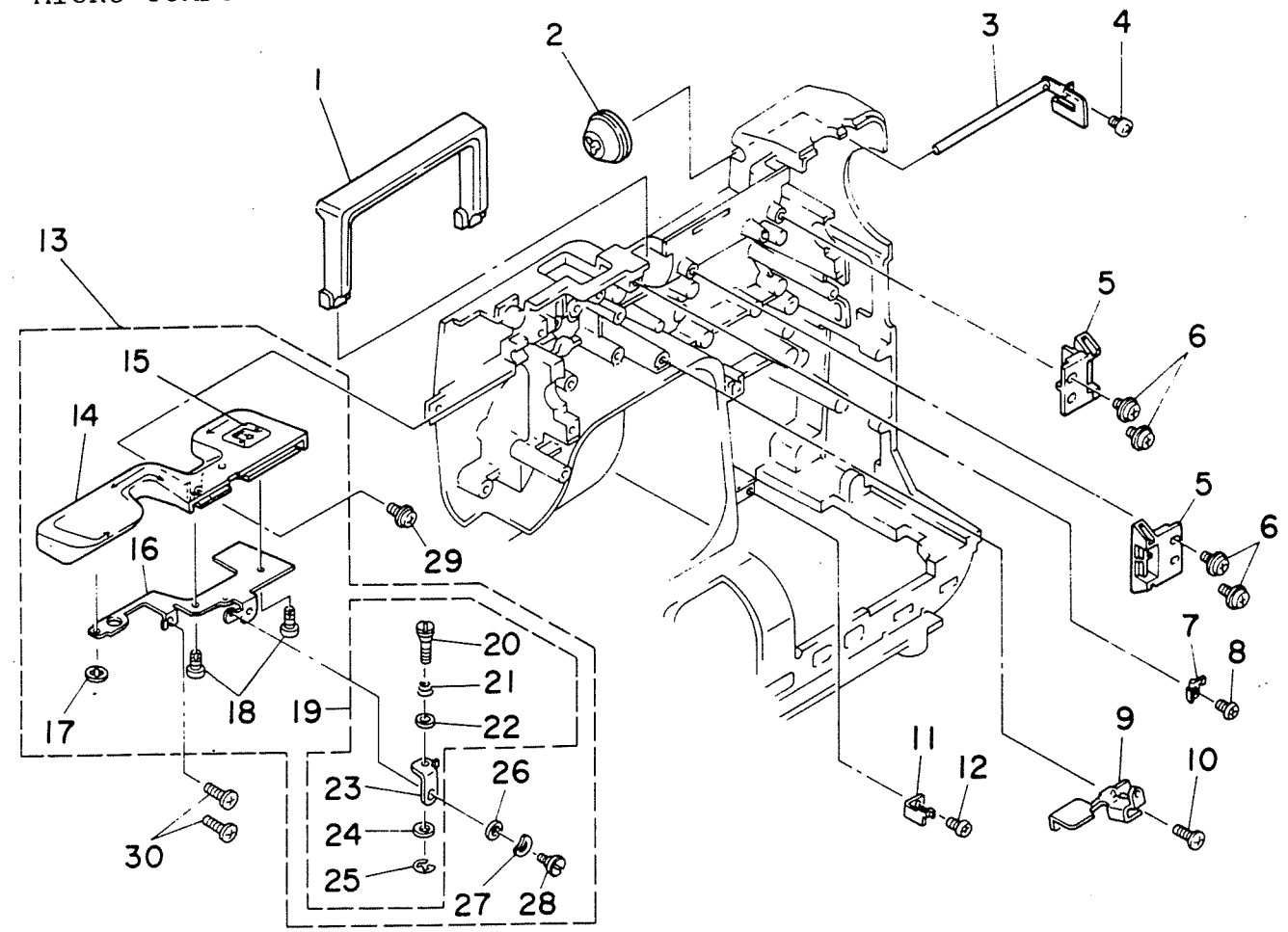
Consequently, please place your order using the part number of assembly containing the part.

1. COVER COMPONENTS



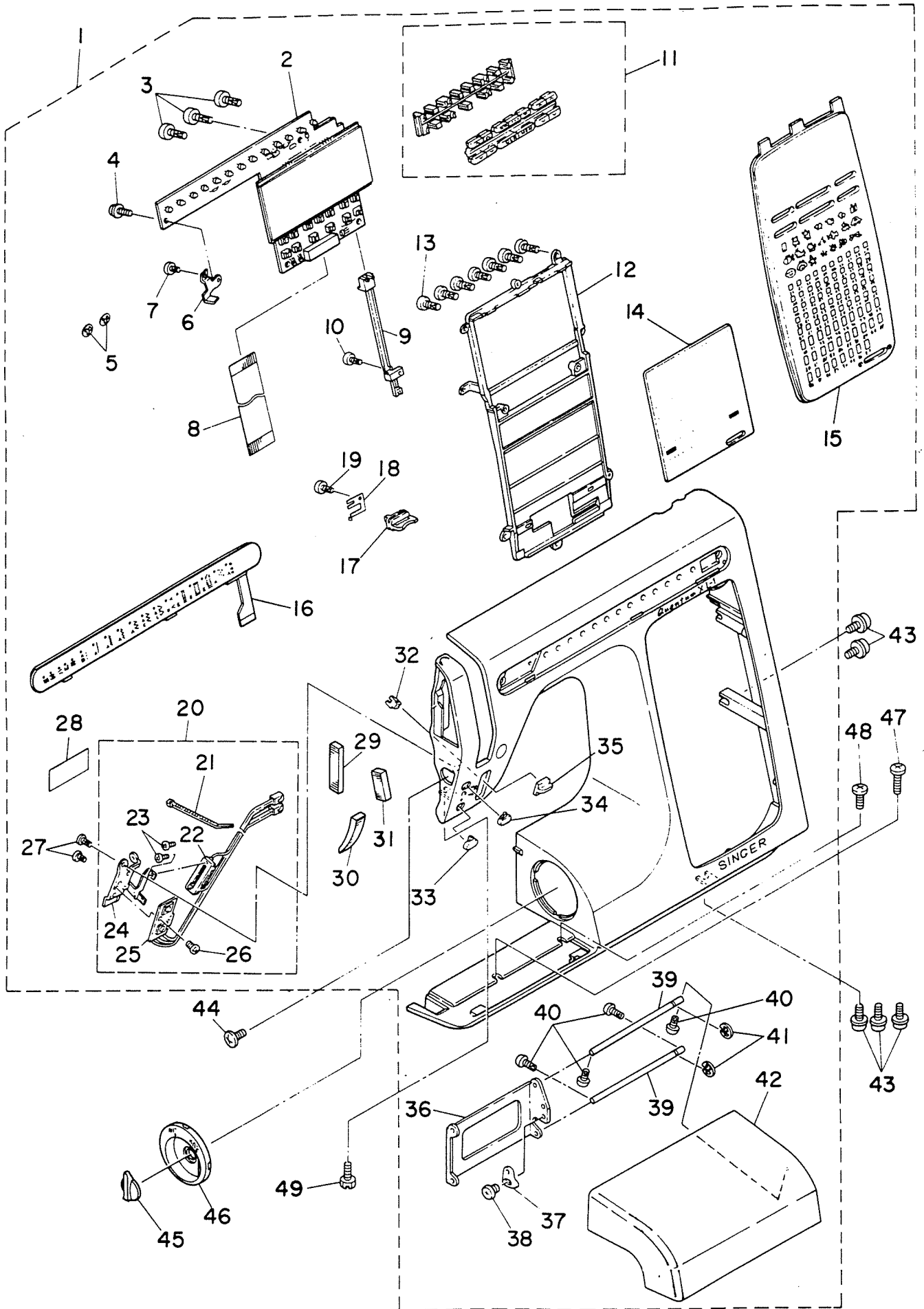
Ref No.	Note	Part No.	Part Description	Qty
1		283002	Caution plate on the rear cover	1
2		283001	Rear cover --- UL/CSA	1
		283540	Rear cover --- VDE/SAA/BS/KEMA	1
3		283258	Face plate cover	1
4		283257	Screw	1
5		283004	Cylinder bed bottom cover (asm.)	1
6		283003	Cylinder bed bottom cover	(1)
7		283355	Band	(1)
8		283008	Looper cutter removing plate	(1)
9		283006	Spring	(1)
10		283005	Hook cover	(1)
11		283009	Bobbin thread detector box (asm.)	(1)
12		283520	Screw	(1)
13		283523	Screw	(1)
14		283468	Screw	2
15		283028	Under side cover (asm.)	1
16		283027	Under side cover	(1)
17		283033	Threading diagram	(1)
18		283034	Metal fitting	(1)
19		283026	Spring	(1)
20		283025	Screw	(1)
21		283523	Screw	(2)
22		283471	Screw	(1)
23		283039	Under side cover lid	(1)
24		283523	Screw	(2)
25		283471	Screw	3
26		283504	Screw	1
27		283484	Screw	1
28		283371	Belt cover --- UL/CSA	1
		283541	Belt cover --- VDE/SAA/BS/KEMA	1
29		283471	Screw	2
30		283029	Rubber washer	3
31		283038	Screw	3
32		283037	Aux. bed retainer receiving plate asm.	1
33		283491	Screw	1

2. THREAD GUIDE COVER,
MICRO COMPUTER CIRCUIT BOARD COMPONENTS



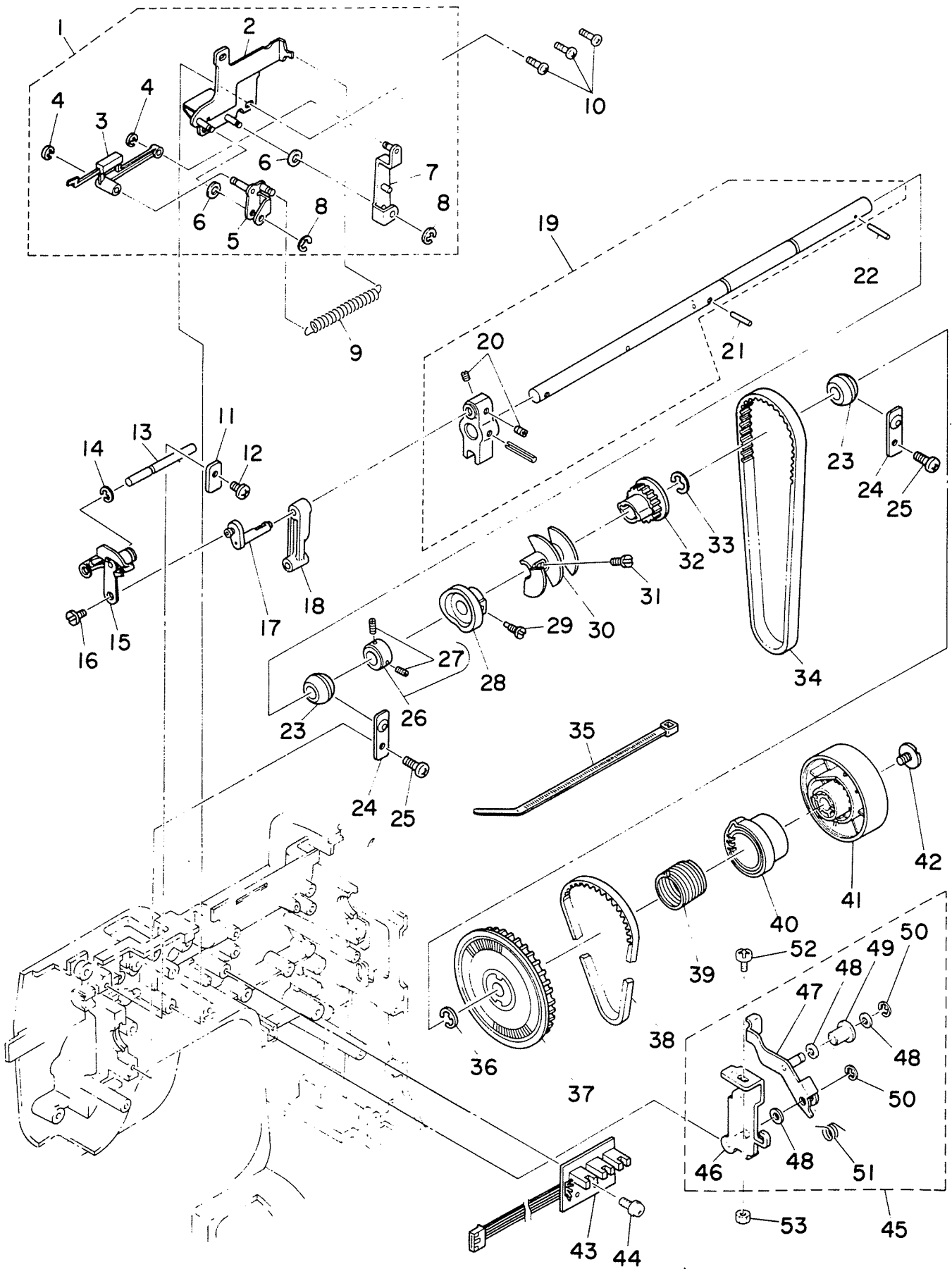
Ref No.	Note	Part No.	Part Description	Qty
1		283010	Handle	1
2		283024	Thread spool cap (asm.)	1
3		283012	Spool pin (asm.)	1
4		283483	Screw	1
5		283011	Handle retaining plate	2
6		283474	Screw	4
7		283337	Metal fitting (B)	1
8		283491	Screw	1
9		283352	Metal fitting	1
10		283491	Screw	1
11		283336	Metal fitting (A)	1
12		283491	Screw	1
13		283016	Thread guide cover (A) (asm.)	1
14		283015	Thread guide cover (A)	(1)
15		283271	Instruction seal	(1)
16		283018	Thread guide cover attaching plate	(1)
17		283013	Locknut	(1)
18		283522	Screw	(2)
19		283021	Thread guide base (asm.)	(1)
20	*	283313	Thread guide disk shaft	(1)
21	*	283312	Thread guide spring	(1)
22	*	283311	Thread guide disk	(1)
23	*	283019	Thread guide base	(1)
24	*	283315	Thread guide disk shaft washer	(1)
25	*	283314	Arch-shapped E ring	(1)
26		283529	Washer	(1)
27		283147	Spring washer	(1)
28		283020	Screw	(1)
29		283471	Screw	1
30		283491	Screw	2
31		283017	Thread guide cover (B) (asm.)	1
32		283014	Thread guide cover (B) pile	(1)
33		283469	Screw	3
34		283351	M. computer c.board (asm.) --- UL/CSA	1
		283542	M. computer c.board (asm.) --- VDE/SAA/BS/KEMA	1
35	*	283353	STM-IC radiation plate	(1)
36	*	283354	Washer	(2)
37	*	283493	Screw	(2)
38	*	283470	Screw	(4)
39	*	283322	Cord holder	(1)
40	*	283355	Band	(1)
41		283493	Screw	1
42		283491	Screw	3

3. FRONT PANEL COMPONENTS



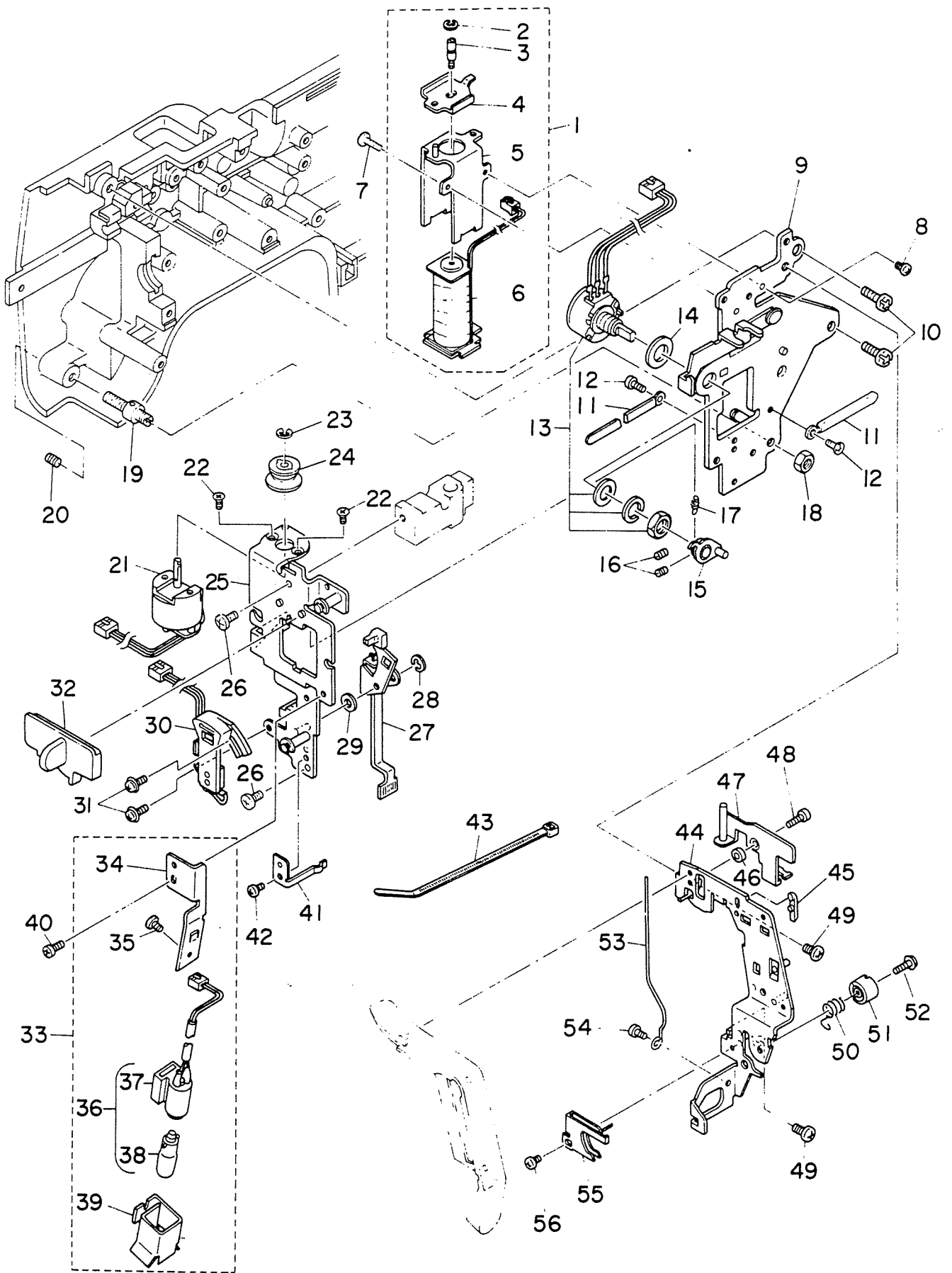
Ref No.	Note	Part No.	Part Description	Qty
1		283324	Front panel (asm.) --- UL/CSA	1
		283543	Front panel (asm.) --- VDE/BS/KEMA	1
		283544	Front panel (asm.) --- SAA	1
2		283326	Indicator circuit board (asm.)	(1)
3		283522	Screw	(3)
4		283469	Screw	(1)
5		283334	Locknut	(2)
6		283327	Indicator circuit board attaching plate	(1)
7		283521	Screw	(1)
8		283356	Indicator wiring	(1)
9		283338	selector SW.(asm.)	(1)
10		283525	Screw	(1)
11		283332	Function switch key top (asm.)	(1)
12		283333	Pattern indicator panel fixing plate	(1)
13		283522	Screw	(7)
14		283331	Pattern indicator panel	(1)
15		283328	Pattern display panel	(1)
16		283325	Panel switch (asm.) B	(1)
17		283329	Selactor knob	(1)
18		283330	Leaf spring	(1)
19		283525	Screw	(1)
20		283344	Start switch mounting plate (asm.)	(1)
21		283355	Band	(1)
22		283362	Slide volume (asm.)	(1)
23		283478	Screw	(2)
24		283343	Start switch mounting plate	(1)
25		283341	Switch circuit board (asm.)	(1)
26		283486	Screw	(1)
27		283522	Screw	(2)
28		283335	Start switch lead tape	(1)
29		283295	Thread take-up lever cover pile (B)	(1)
30		283296	Thread take-up lever cover pile (A)	(1)
31		283297	Thread take-up lever cover pile (C)	(1)
32		283364	Slide volume connecting plate	(1)
33		283340	Start/Stop button	(1)
34		283342	Reverse stitch button	(1)
35		283363	Sewing speed setting lever	(1)
36		283031	Hinge	(1)
37		283035	Hinge adjuster plate	(1)
38		283498	Screw	(1)
39		283032	Fulcrum shaft	(2)
40		283524	Screw	(4)
41		283459	E ring	(2)
42		283030	Auxiliary bed	(1)
43		283470	Screw	5
44		283491	Screw	1
45		283151	Stitch balance control	1
46		283339	Stitch balance control lid	1
47		283495	Screw	1
48		283491	Screw	1
49		283517	Screw	1

4. MAIN SHAFT, IDLER PULLEY COMPONENTS



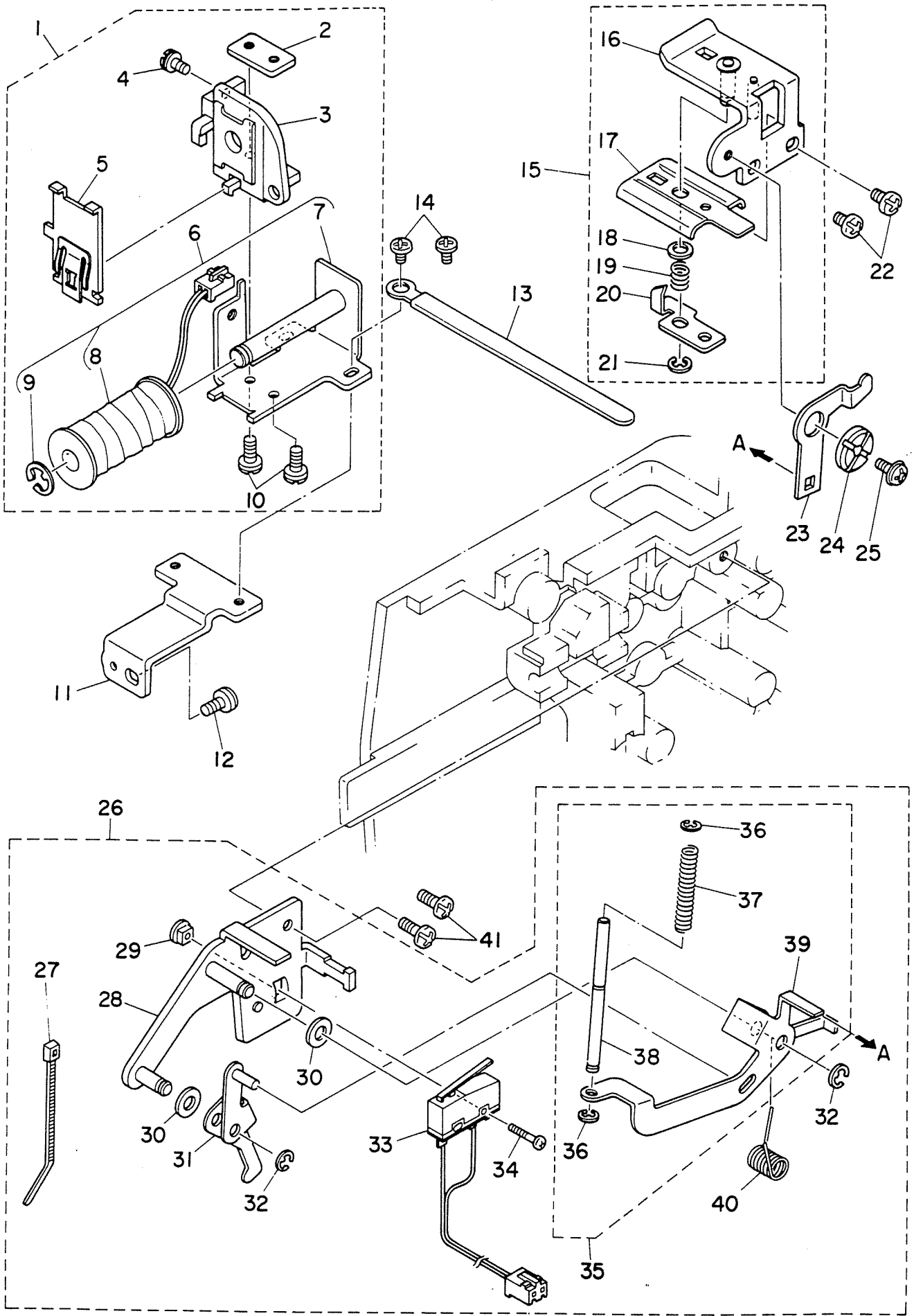
Ref No.	Note	Part No.	Part Description	Qty
1		283260	Thread pulling link attaching plate (master asm.)	1
2		283259	Thread pulling link attaching plate (asm.)	(1)
3		283264	Thread pulling lever	(1)
4		283459	E ring	(2)
5		283262	Thread pulling link (B) (asm.)	(1)
6		283528	Washer	(2)
7		283261	Thread pulling link (A) (asm.)	(1)
8		283460	E ring	(2)
9		283265	Thread pulling lever spring	1
10		283502	Screw	3
11		283070	Supporting shaft retaining plate	1
12		283502	Screw	1
13		283207	Thread take-up lever supporting shaft	1
14		283461	E ring	1
15		283206	Thread take-up lever (asm.)	1
16		283051	End screw left	1
17		283049	Needle bar crank	1
18		283061	Needle bar crank rod	1
19		283043	Main shaft (asm.)	1
20		283516	Screw	(2)
21		283456	Pin	1
22		283455	Pin	1
23		283045	Main shaft bushing	2
24		283046	Main shaft bushing retaining plate	2
25		283502	Screw	2
26		283044	Main shaft thrust collar (asm.)	1
27		283516	Screw	(2)
28		283047	Delivery cam	1
29		283048	Screw	1
30		283050	Main shaft detector shielding plate	1
31		283473	Screw	1
32		283052	Main shaft pulley	1
33		283464	E ring	1
34		283372	Timing belt (large)	1
35		283355	Band	1
36		283464	E ring	1
37		283055	Motor pulley	1
38		283373	Motor timing belt	1
39		283057	Clutch spring	1
40		283056	Clutch spring holder	1
41		283053	Handwheel	1
42		283054	Screw	1
43		283347	Main shaft detector circuit board (asm.)	1
44		283470	Screw	1
45		283378	Idler (asm.)	1
46	*	283379	Idler base (asm.)	(1)
47	*	283380	Idler link (asm.)	(1)
48	*	283530	Washer	(3)
49	*	283377	Idler	(1)
50	**	283460	E ring	(2)
51	*	283381	Idler twisting spring	(1)
52		283481	Screw	1
53		283451	Nut	1

5. FACE PLATE, ENCODER, SOLENOID No.1 COMPONENTS



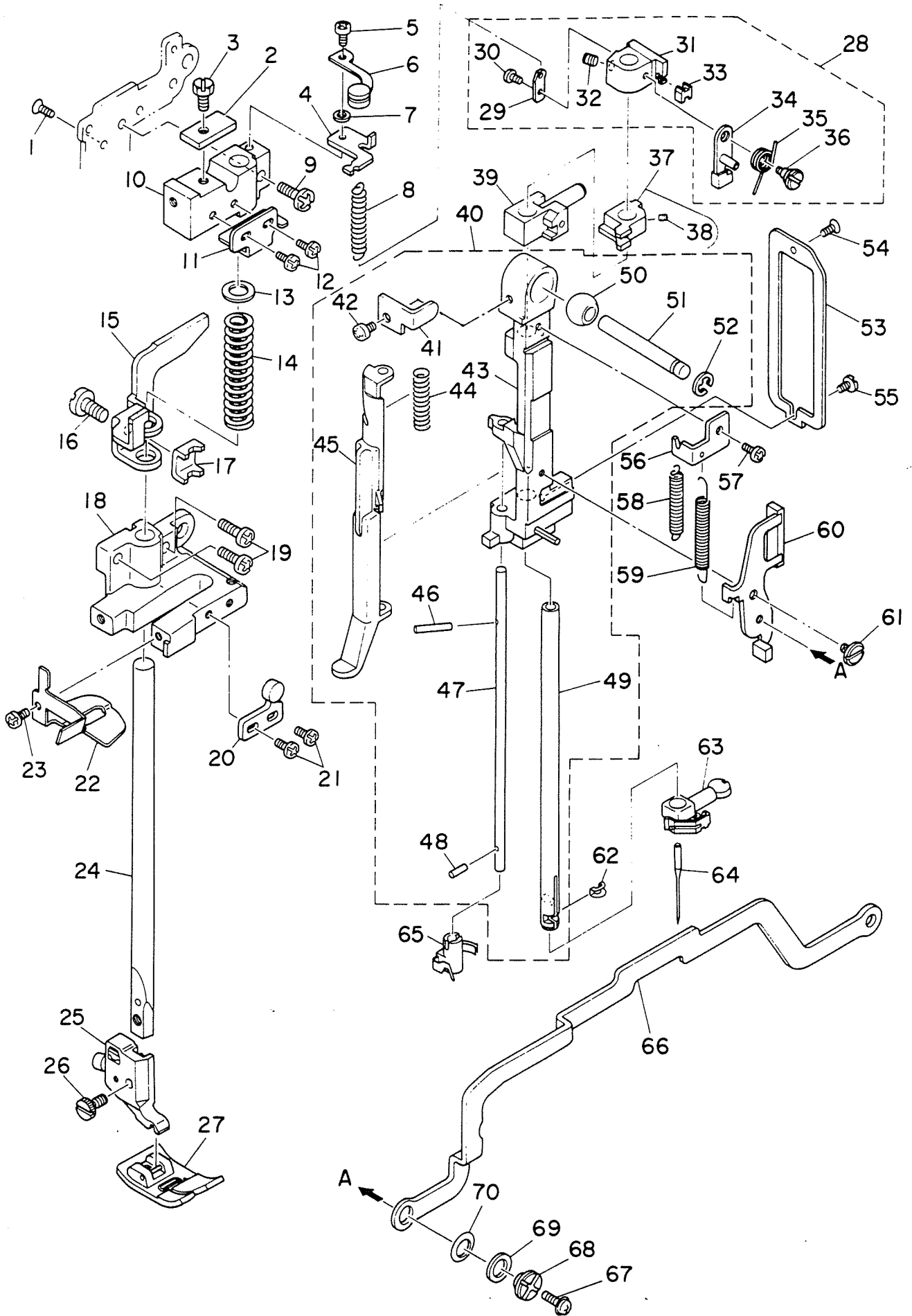
Ref No.	Note	Part No.	Part Description	Qty
1		283221	Solenoid No.1(asm.)	1
2	*	283459	E ring	(1)
3	*	283220	Solenoid No. 1 shaft	(1)
4	*	283219	Solenoid No. 1 armature	(1)
5	*	283222	Solenoid No. 1 yoke (asm.)	(1)
6	*	283223	Solenoid No. 1 bottom (asm.)	(1)
7		283488	Screw	1
8		283491	Screw	1
9		283107	Frame reference plate (sub-asm. B)	1
10		283106	Screw	2
11		283322	Cord holder	2
12		283486	Screw	2
13		283232	Potentiometer (asm.)	1
14		283233	Washer	1
15		283230	Potentiometer crank (asm.)	1
16		283505	Screw	2
17		283231	Potentiometer spring	1
18		283452	Nut	1
19		283111	Frame reference plate retaining shaft	1
20		283514	Screw	1
21		283225	Encorder (asm.)	1
22		283519	Screw	2
23		283227	Arch-shapped E ring	1
24		283226	Encoder pulley (asm.)	1
25		283224	Encoder attaching plate (asm.)	1
26		283502	Screw	2
27		283228	Buttonholing lever (asm.)	1
28		283460	E ring	1
29		283528	Washer	1
30		283229	Buttonholing switch mounting base (asm.)	1
31		283470	Screw	2
32		283103	Presser foot adusting lever	1
33		283320	Light attaching plate (asm.)	1
34		283319	Light attaching plate	(1)
35		283486	Screw	(1)
36		283317	Light (asm.)	(1)
37		283316	Light socket (asm.)	(1)
38		283318	Light bulb	(1)
39		283321	Light cover	(1)
40		283491	Screw	1
41		283079	Needle bar frame spring	1
42		283491	Screw	1
43		283355	Band	1
44		283292	Face plate (asm.)	1
45		283283	Solenoid No. 2 guide	1
46		283299	Needle thread guide plate collar	1
47		283298	Needle thread guide plate (asm.)	1
48		283492	Screw	1
49		283500	Screw	2
50		283263	Thread take-up spring	1
51		283272	Spring holder	1
52		283472	Screw	1
53		283294	Needle thread guide bar	1
54		283487	Screw	1
55		283293	Thread take-up spring thread guide	1
56		283487	Screw	1

6. SOLENOID No.2, THREAD SENSOR GUIDE,
TENSION RELEASING PLATE COMPONENTS



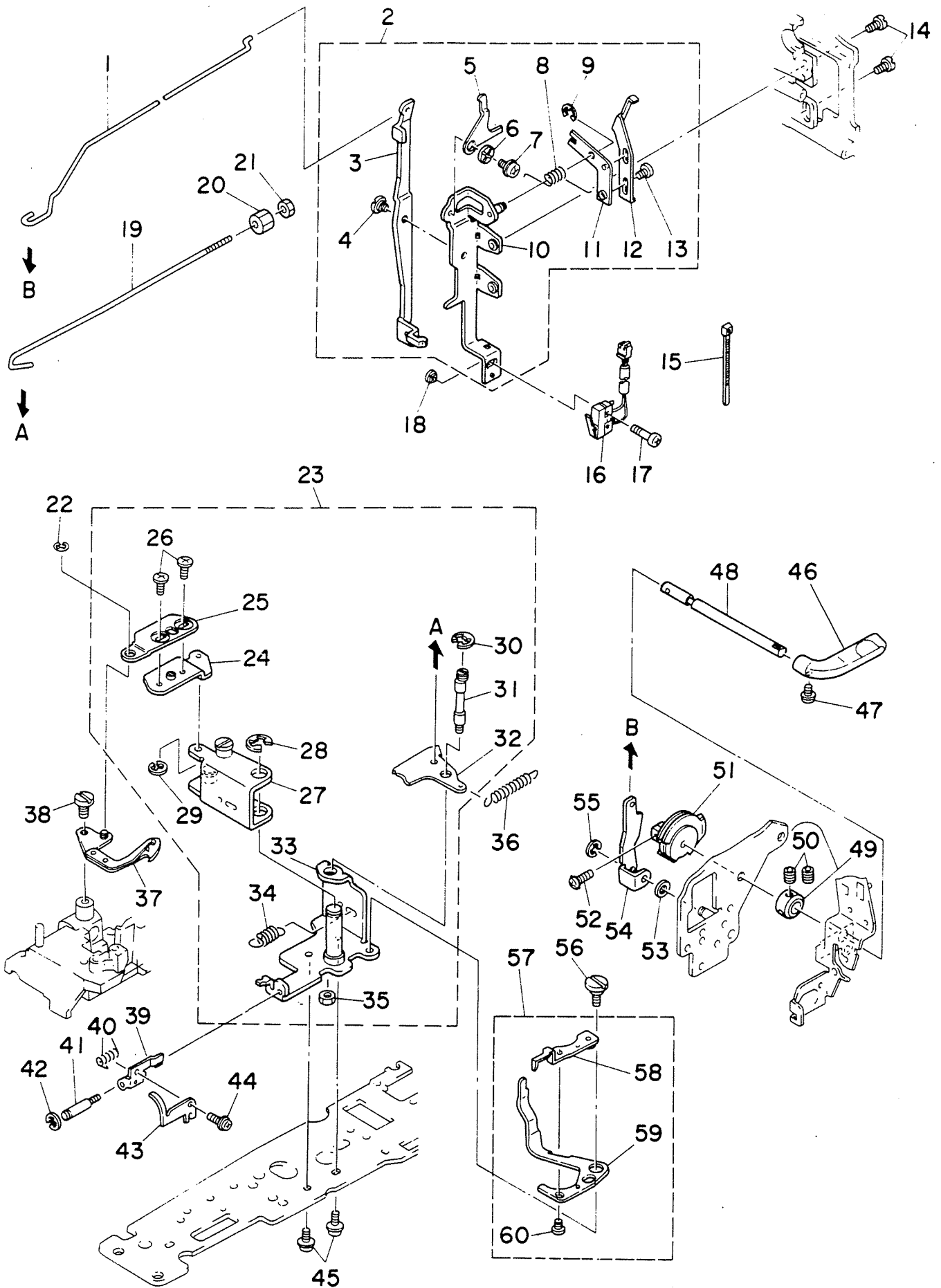
Ref No.	Note	Part No.	Part Description	Qty
1		283289	Solenoid No. 2 (asm.)	1
2	*	283288	Yoke case retaining plate	(1)
3	*	283285	Solenoid No. 2 yoke case	(1)
4	*	283469	Screw	(1)
5	*	283287	Solenoid No. 2 amature (asm.)	(1)
6	*	283291	Solenoid No. 2 yoke (asm.)	(1)
7	*	283290	Solenoid No. 2 yoke (sub-asm.)	(1)
8	*	283286	Solenoid No.2 coil bobbin (asm.)	(1)
9	*	283460	E ring	(2)
10	*	283490	Screw	1
11	*	283284	Solenoid No. 2 attaching plate	1
12	*	283501	Screw	1
13		283322	Cord holder	1
14		283491	Screw	2
15		283267	Thread sensor guide (asm.)	1
16	*	283266	Thread sensor guide attaching plate (asm.)	(1)
17	*	283268	Thread sensor guide disk	(1)
18	*	283527	Washer	(1)
19	*	283269	Thread sensor guide spring	(1)
20	*	283270	Thread sensor guide thread presser	(1)
21	*	283459	E ring	(1)
22		283491	Screw	2
23		283275	Tension disk releasing link	1
24		283246	Link collar	1
25		283470	Screw	1
26		283274	Tension release attaching plate (master asr.)	1
27		283355	Band	(1)
28		283273	Tension releasing attaching plate (asm.)	(1)
29		283217	1-stitch SW.locknut	(1)
30		283527	Washer	(2)
31		283281	Tension releasing plate (B) (asm.)	(1)
32		283459	E ring	(2)
33		283282	Therad timmer 1-stitch SW.(asm.)	(1)
34		283485	Screw	(1)
35		283277	Tension releasing plate (A) (asm.)	(1)
36		283458	E ring	(2)
37		283279	Spring	(1)
38		283280	Tension releasing bar	(1)
39		283276	Tension releasing plate (A)	(1)
40		283278	Tension releasing plate (A) spring	(1)
41		283491	Screw	2

7. NEEDLE BAR, PRESSER BAR COMPONENTS



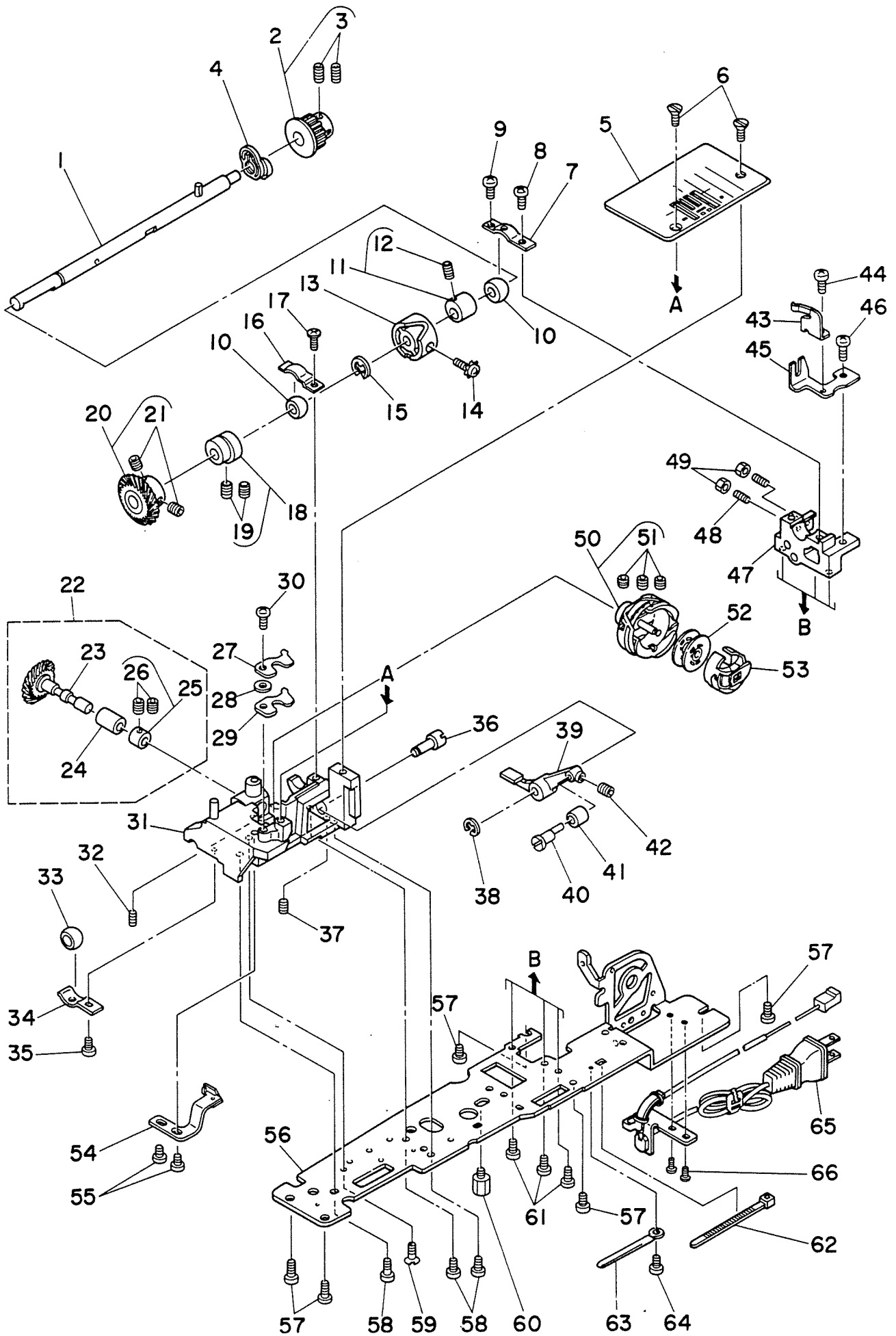
Ref No.	Note	Part No.	Part Description	Qty
1		283476	Screw	1
2		283070	Supporting shaft retaining plate	1
3		283517	Screw	1
4		283089	Spring hook (A)	1
5		283491	Screw	1
6		283091	Needle bar positioning spring (asm.)	1
7		283526	Washer	1
8		283087	Needle bar retaining spring	1
9		283503	Screw	1
10		283108	Presser bar holder (upper)	1
11		283110	Presser bar holder plate	1
12		283491	Screw	2
13		283218	Presser spring holder	1
14		283094	Presser spring	1
15		283096	Presser bar position bracket	1
16		283106	Screw A	1
17		283097	Presser bar position bracket setscrew holder	1
18		283109	Presser bar holder (lower)	1
19		283482	Screw	2
20		283090	Needle bar removing stopper	1
21		283491	Screw	2
22		283256	Needle bar thread guide	1
23		283491	Screw	1
24		283093	Presser bar	1
25		283102	Presser holder (asm.)	1
26		283105	Presser clamping screw	1
27		283104	Hinging presser for zigzag	1
28		283083	Needle bar fixing base (asm.)	1
29		283088	Spring hook(B)	(1)
30		283478	Screw	(1)
31		283081	Needle bar fixing base	(1)
32		283512	Screw	(1)
33		283082	Stopper	(1)
34		283085	Needle bar removing latch(asm.)	(1)
35		283086	Latch spring	(1)
36		283084	Needle bar removing latch setscrew	(1)
37		283063	Threader needle bar guide (asm.)	1
38		283506	Screw	(1)
39		283062	Needle bar connection (asm.)	1
40		283065	Needle bar frame(sub-asm. B)	1
41		283068	Needle bar frame base thrust plate	(1)
42		283488	Screw	(1)
43	*	283064	Needle bar frame	(1)
44	*	283074	Spring	(1)
45	*	283071	Needle threader	(1)
46	**	283456	Pin	(1)
47	**	283072	Needle threader shaft	(1)
48	**	283454	Pin (small)	(1)
49		283058	Needle bar (asm.)	(1)
50		283128	Ball bearing	(1)
51		283067	Needle bar frame shaft	(1)
52		283460	E ring	(1)
53		283092	Needle bar guide plate	1
54		283476	Screw	1
55		283488	Screw	1
56		283069	Spring hook	1
57		283491	Screw	1
58		283073	Needle threader spring	1
59		283066	Needle bar frame base spring	1
60		283076	Frame rock shaft crank	1
61		283465	Hinge screw	1
62		283059	Needle mis-insert preventing plate	1
63		283060	Needle clamp (asm.)	1
64		283405	Needle 2020, 90/14	1
65		283075	Needle threader hook holder (asm.)	1
66		283080	Needle bar frame connecting rod	1
67		283471	Screw	1
68		283077	Eccentric shaft	1
69		283078	Washer	1
70		283216	Spring washer	1

8. THREAD TRIMMER LINK, MOVING KNIFE COMPONENTS



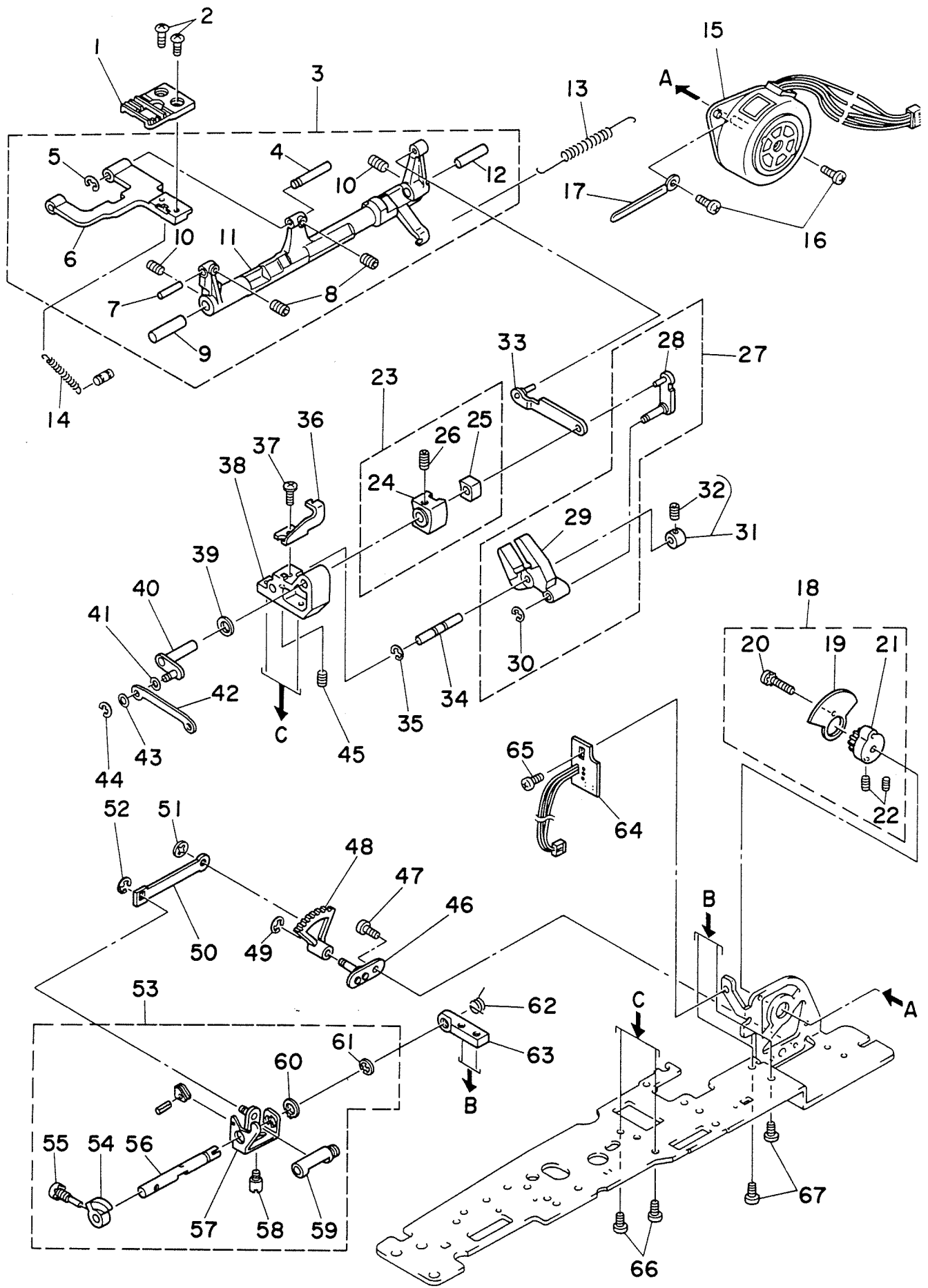
Ref No.	Note	Part No.	Part Description	Qty
1		283244	Knife selector upper link	1
2		283250	Thread trimmer link attaching plate (master asm.)	(1)
3	*	283251	Thread trimmer link	(1)
4		283252	Thread trimmer link shaft (hinge screw)	(1)
5	*	283247	Link	(1)
6	*	283246	Link collar	(1)
7		283471	Screw	(1)
8		283245	Spring	(1)
9		283460	E ring	(1)
10	*	283249	Thread trimmer link attaching plate (asm.)	(1)
11	*	283248	Thread trimming clutch plate	(1)
12		283255	Thread trimmer clutch plate contact	(1)
13		283501	Screw	(1)
14		283502	Screw	2
15		283355	Band	1
16		283310	Thread trimmer switch (asm.)	1
17		283485	Screw	1
18		283217	1-stitch SW.locknut	1
19		283243	Knife selector lower link	1
20		283254	Knife selector lower link adjusting nut	1
21		283453	Nut	1
22		283460	E ring	1
23		283236	Knife driving link attaching plate (asm.)	1
24		283202	Moving knife link (B) (asm.)	(1)
25		283201	Moving knife link (A)	(1)
26		283486	Screw	(2)
27	*	283237	Knife driving link (asm.) B	(1)
28	*	283462	E ring	(1)
29	*	283459	E ring	(1)
30	*	283461	E ring	(1)
31	*	283240	Knife removing plate eccentric shaft	(1)
32	*	283239	Knife removing plate	(1)
33	*	283235	Knife driving link attaching plate (asm.)	(1)
34	*	283238	Knife driving link spring	(1)
35	*	283450	Nut	(1)
36	*	283241	Spring	1
37		283200	Moving knife (asm.)	1
38		283466	Hinge screw	1
39		283158	Looper actuating plate	1
40		283160	Spring	1
41		283159	Looper actuating plate shaft	1
42		283459	E ring	1
43		283157	Looper	1
44		283468	Screw	1
45		283475	Screw	2
46		283099	Presser foot lifter/thread cutter lever	1
47		283479	Screw	1
48		283100	Lever shaft	1
49		283101	Lever shaft thrust collar (asm.)	1
50		283506	Screw	(2)
51		283095	Presser foot lifter/thread cutter lever cam	1
52		283098	Screw	1
53		283528	Washer	1
54		283253	Thread cutting drive contact	1
55		283460	E ring	1
56		283467	Hinge screw	1
57		283163	Looper link plate (asm.)	1
58		283164	Looper link contact (asm.)	(1)
59		283162	Looper link plate	(1)
60		283488	Screw	(1)

9. HOOK, HOOK DRIVING SHAFT COMPONENTS



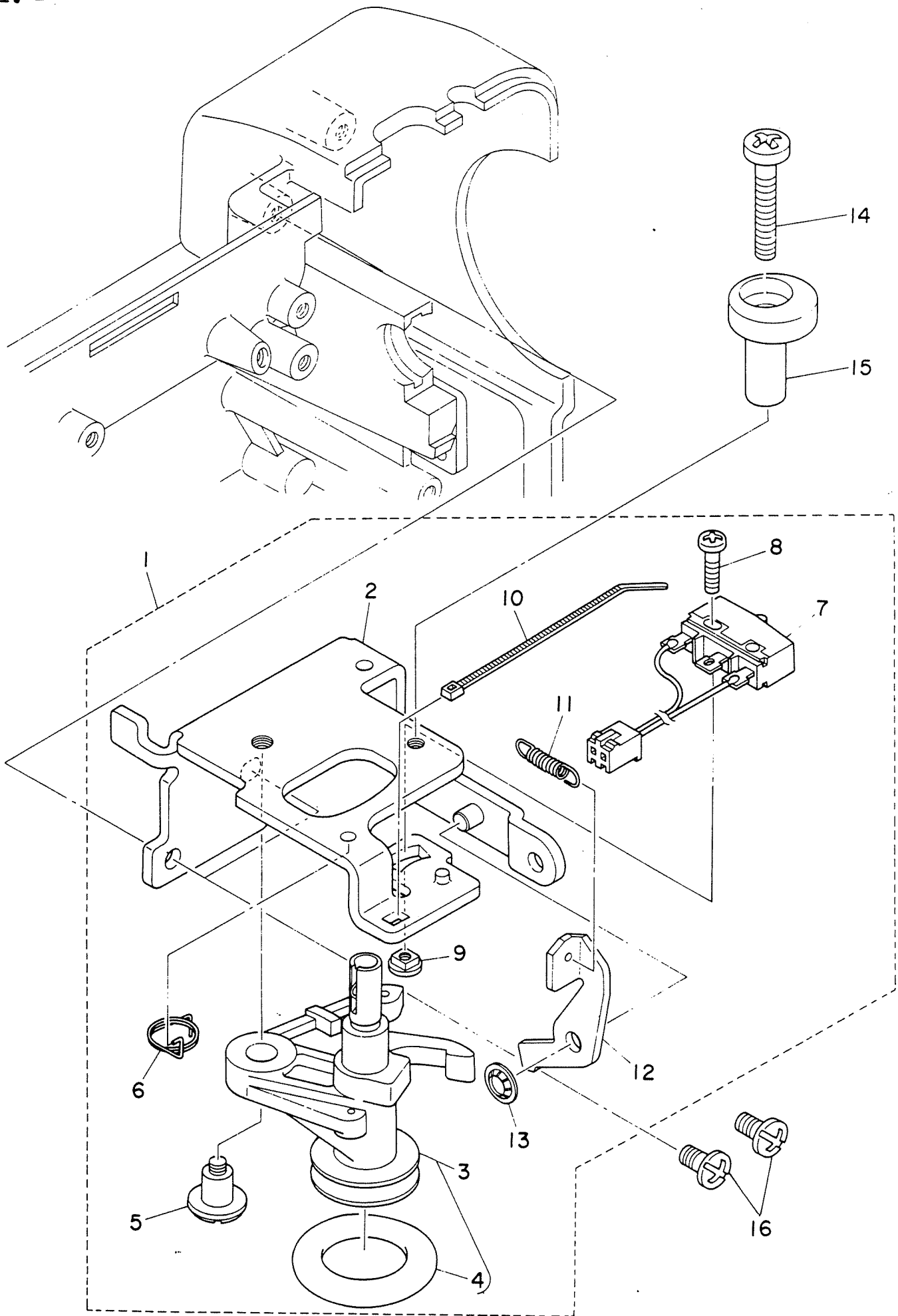
Ref No.	Note	Part No.	Part Description	Qty
1		283183	Hook driving shaft (asm.)	1
2		283185	Hook driving shaft pulley (asm.)	1
3		283511	Screw	(2)
4		283173	Lateral feed cam	1
5		283007	Needle plate	1
6		283477	Screw	2
7		283188	Ball bearing receiving plate (rear)	1
8		283502	Screw	1
9		283480	Screw	1
10		283186	Hook driving shaft ball bearing	2
11		283117	Feed rock cam (asm.)	1
12		283515	Screw	(1)
13		283234	Thread trimmer cam	1
14		283048	Screw	1
15		283463	E ring	1
16		283187	Ball bearing receiving plate (front)	1
17		283502	Screw	1
18		283156	Feed driving cam	1
19		283510	Screw	(2)
20		283184	Hook driving bevel gear (asm.)	1
21		283510	Screw	(2)
22		283197	Hook shaft bevel gear (asm.)	1
23	*	283196	Hook shaft bevel gear	(1)
24	*	283189	Hook shaft bushing	(1)
25	*	283198	Thrust collar (asm.)	(1)
26		283506	Screw	(2)
27		283204	Moving knife guide plate (upper)	1
28		283205	Moving knife guide plate collar	1
29		283203	Moving knife guide plate (lower)	1
30		283502	Screw	1
31		283199	Hook installing base	1
32		283511	Screw	1
33		283128	Ball bearing	1
34		283129	Ball bearing plate	1
35		283502	Screw	1
36		283192	Feed driving link shaft	1
37		283511	Screw	1
38		283461	E ring	1
39		283190	Feed driving link	1
40		283191	Feed driving eccentric shaft	1
41		283161	Feed driving roller	1
42		283506	Screw	1
43		283126	Presser spring	1
44		283487	Screw	1
45		283121	Guide plate	1
46		283502	Screw	1
47		283041	Hook driving shaft holder (rear)	1
48		283509	Screw	2
49		283449	Nut	2
50		283193	Hook (asm.)	1
51		283518	Screw	(3)
52		283395	Bobbin	1
53		283195	Bobbin case (asm.)	1
54		283194	Bobbin case holder (asm.)	1
55		283502	Screw	2
56		283040	Cylinder bed component cradle	1
57		283502	Screw	5
58		283502	Screw	3
59		283477	Screw	1
60		283036	Hinge screw	1
61		283502	Screw	3
62		283355	Band	1
63		283322	Cord holder	1
64		283487	Screw	1
65		283357	Electric power cord (asm.) --- UL/CSA	1
		283545	Electric power cord (asm.) --- VDE/KEMA	1
		283546	Electric power cord (asm.) --- SAA	1
		283547	Electric power cord (asm.) --- BS	1
66		283491	Screw	2

10. FEED DOG, FEED ROCK SHAFT COMPONENTS



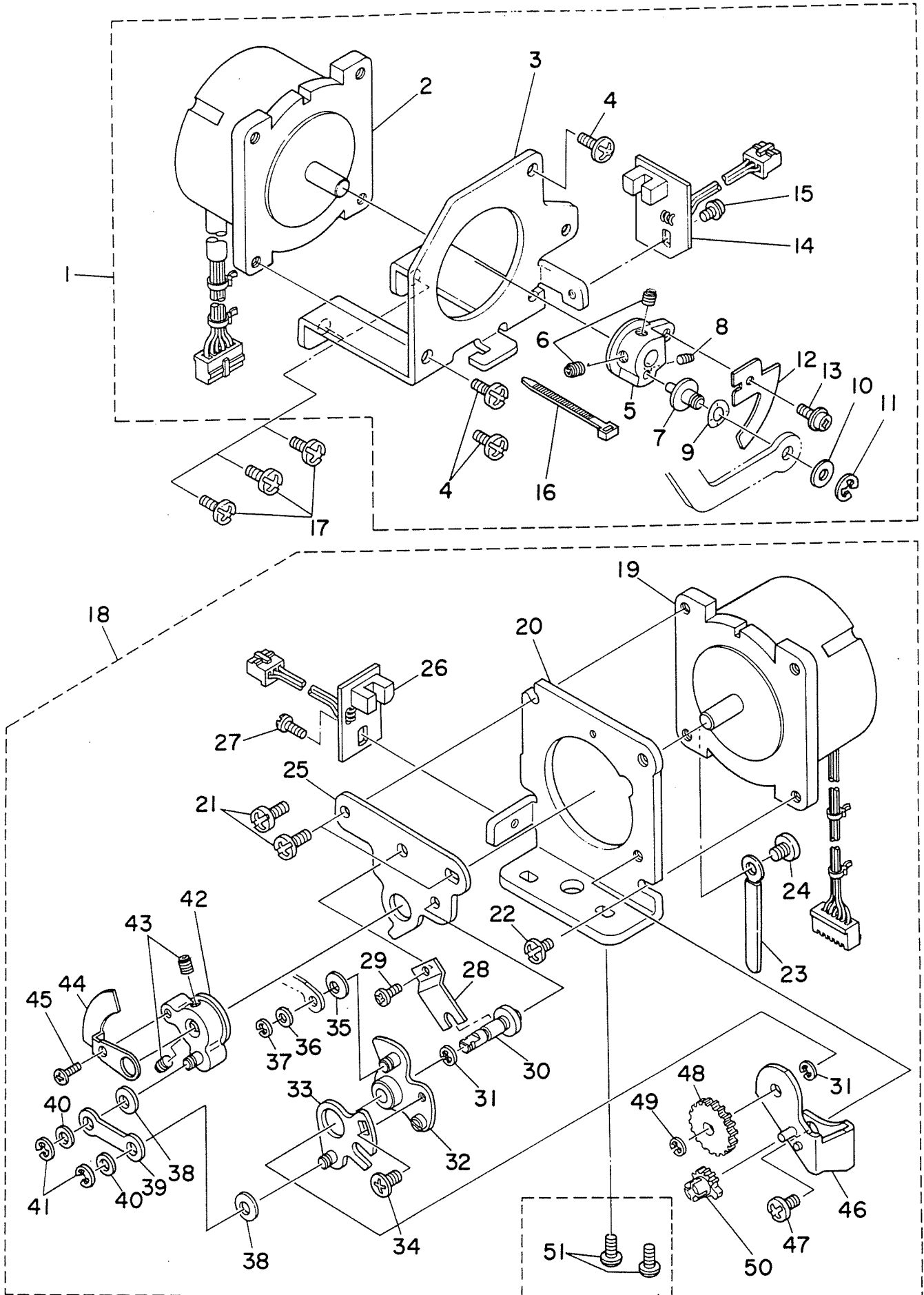
Ref No.	Note	Part No.	Part Description	Qty
1		283137	Feed dog	1
2		283491	Screw	2
3		283115	Feed bar (asm.)	1
4		283116	Feed bar shaft (right)	(1)
5		283459	E ring	(1)
6	*	283114	Feed bar	(1)
7	*	283118	Feed bar shaft (left)	(1)
8	*	283506	Screw	(2)
9	*	283113	Feed rock shaft crank (left)	(1)
10	*	283508	Screw	(2)
11	*	283122	Feed rock shaft	(1)
12	*	283112	Feed rock shaft crank (right)	(1)
13		283130	Spring	1
14		283138	Feed bar spring	1
15		283182	Lateral feed moter (asm.)	1
16		283491	Screw	2
17		283323	Cord holder	1
18		283166	Lateral feed STM crank gear (asm.)	1
19		283167	Shield plate	(1)
20	*	283473	Screw	(1)
21	*	283165	Lateral feed STM crank gear	(1)
22	*	283507	Screw	(2)
23		283132	Feed regulator (asm.)	1
24	*	283131	Feed regulator	(1)
25	*	283133	Crank slide block	(1)
26		283513	Screw	(1)
27		283125	Forked rod (asm.)	1
28	*	283119	Forked rod link (asm.)	(1)
29	*	283124	Forked rod	(1)
30		283459	E ring	(1)
31		283127	Thrust collar (asm.)	1
32		283506	Screw	(1)
33		283120	Feed rock shaft crank link (asm.)	1
34		283123	Forked rod shaft	1
35		283460	E ring	1
36		283242	Spring hook	1
37		283491	Screw	1
38		283134	Feed regulator shaft holder	1
39		283531	Washer	1
40		283135	Feed regulator shaft (asm.)	1
41		283147	Spring washer	1
42		283136	Feed link	1
43		283527	Washer	1
44		283459	E ring	1
45		283511	Screw	1
46		283169	Lateral feed gear link base (asm.)	1
47		283491	Screw	1
48		283168	Lateral feed gear link	1
49		283459	E ring	1
50		283170	Lateral feed connection link	1
51		283304	Push nut	1
52		283459	E ring	1
53		283172	Lateral feed cam contact (master asm.)	1
54		283178	Lateral feed regulation cam	(1)
55		283177	Lateral feed regulation cam setscrew	(1)
56	*	283174	Lateral feed shaft	(1)
57		283171	Lateral feed cam contact (asm.)	(1)
58		283175	Lateral feed shaft guide pin	(1)
59		283179	Lateral feed cam contact bush	(1)
60		283180	Snap ring	(1)
61		283460	E ring	(1)
62		283176	Lateral feed cam contact twisting spring	1
63		283042	Lateral feed shaft holder	1
64	*	283181	Lateral feed detector circuit board (asm.)	1
65		283491	Screw	1
66		283502	Screw	2
67		283502	Screw	2

11. BOBBIN WINDER COMPONENTS



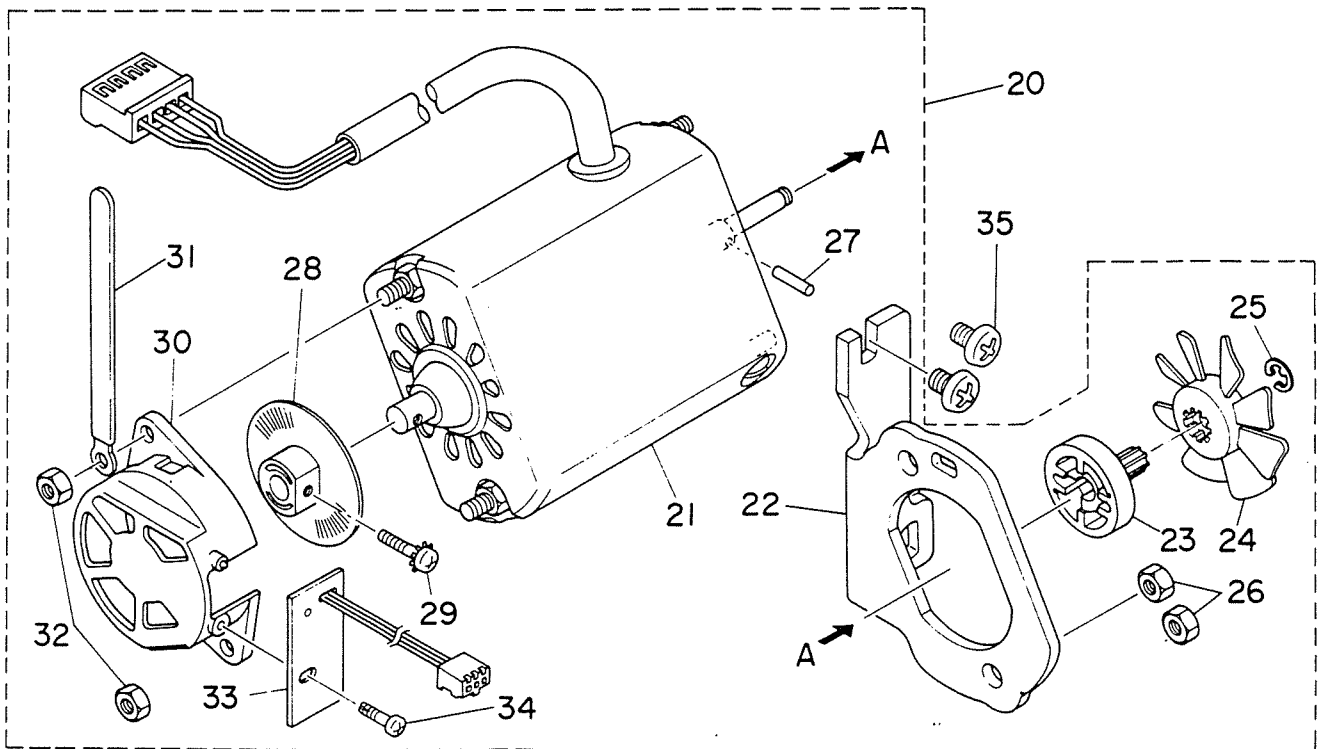
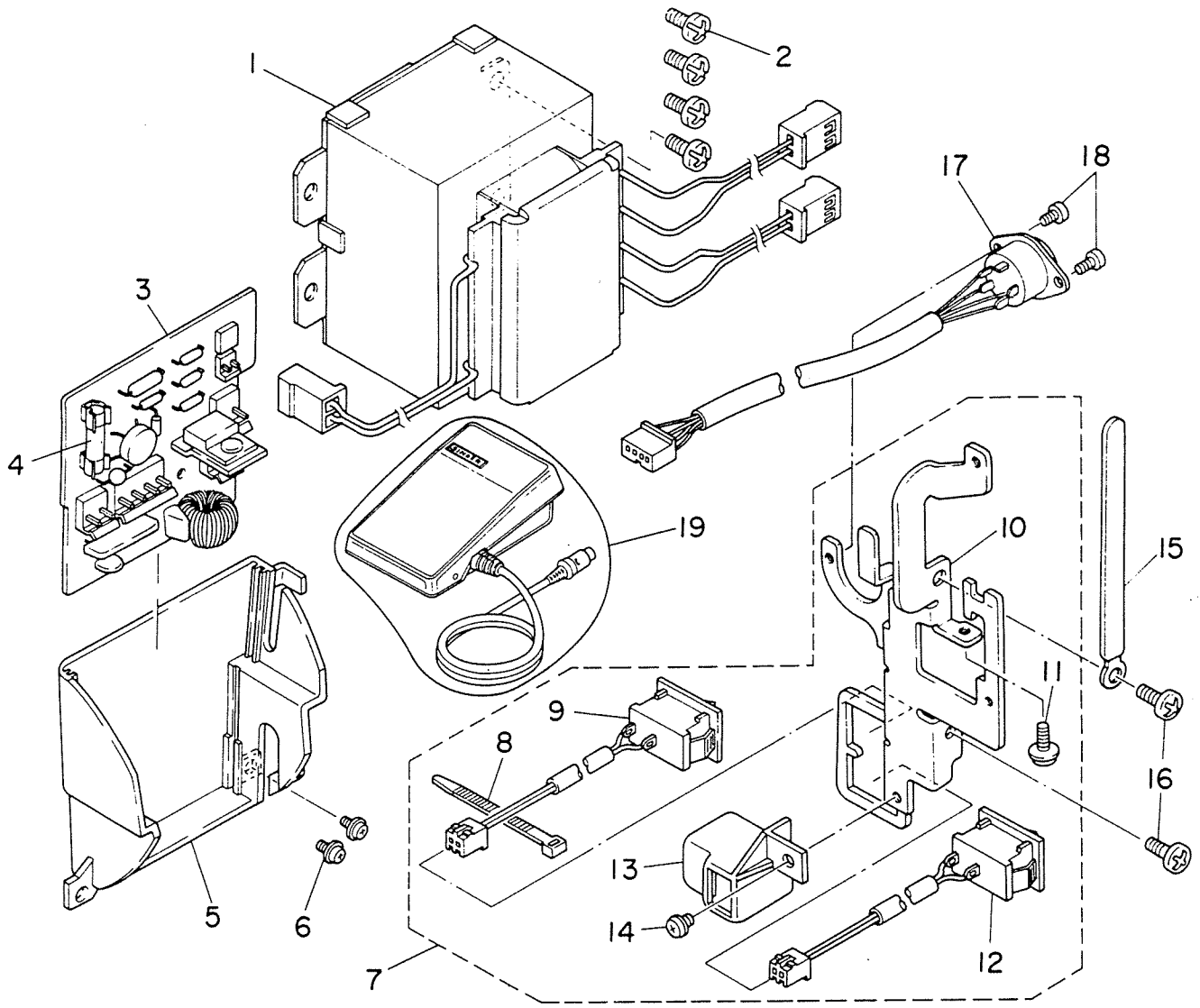
Ref No.	Note	Part No.	Part Description	Qty
1		283301	Bobbin winder component mounting base (asm.)	1
2		283300	Bobbin winder component mounting base (sub-asm.)	(1)
3		283303	Bobbin winder base (asm.)	(1)
4		283308	Rubber ring	(1)
5		283302	Hinge screw	(1)
6		283307	Bobbin winder base spring	(1)
7		283309	Bobbin winder SW (asm.)	(1)
8		283485	Screw	(1)
9		283217	Locknut	(1)
10		283355	Band	(1)
11		283306	Clutch spring	(1)
12		283305	Clutch plate	(1)
13		283304	Locknut	(1)
14		283496	Screw	1
15		283022	Bobbin thread amount adjusting shaft	1
16		283502	Screw	2

12. NEEDLE BAR ROCKING STM, FEED STM COMPONENTS



Ref No.	Note	Part No.	Part Description	Qty
1		283209	Needle bar rocking STM mounting base (asm.)	1
2	*	283210	Needle bar rocking motor (asm.)	(1)
3	**	283208	Needle bar rocking STM mounting base	(1)
4	**	283502	Screw	(3)
5	*	283212	Link	(1)
6	**	283511	Screw	(2)
7	**	283213	Link shaft	(1)
8	*	283505	Screw	(1)
9		283215	Spring washer	(1)
10		283529	Washer	(1)
11		283460	E ring	(1)
12		283211	Shielding plate	(1)
13		283471	Screw	(1)
14	*	283214	Needle bar rocking detector circuit board (asm.)	(1)
15	**	283469	Screw	(1)
16		283355	Band	(1)
17		283502	Screw	3
18		283155	Feed STM (master) asm.	1
19	*	283154	Feed STM (asm.)	(1)
20	**	283142	Feed STM attaching plate	(1)
21	**	283503	Screw	(2)
22	**	283502	Screw	(1)
23	**	283322	Cord holder	(1)
24	**	283497	Screw	(1)
25	*	283153	Fulcrum shaft attaching plate	(1)
26	**	283143	Feed detector circuit board (asm.)	(1)
27	**	283491	Screw	(1)
28	**	283152	Supporting spring plate	(1)
29	**	283491	Screw	(1)
30	**	283146	Feed regulating plate fulcrum shaft	(1)
31		283459	E ring	(2)
32		283140	Feed regulating plate base (master asm.)	(1)
33	*	283139	Feed regulating plate (asm.)	(1)
34	**	283489	Screw	(1)
35		283147	Spring washer	(1)
36		283527	Washer	(1)
37		283459	E ring	(1)
38	*	283147	Spring washer	(2)
39	**	283141	Feed STM crank link	(1)
40	**	283527	Washer	(2)
41	*	283459	E ring	(2)
42	**	283145	Feed STM crank (asm.)	(1)
43	**	283511	Screw	(2)
44	**	283144	Shielding plate	(1)
45	**	283494	Screw	(1)
46	**	283150	Feed regulating gear attaching plate (asm.)	(1)
47	*	283499	Screw	(1)
48		283148	Feed regulating gear (A)	(1)
49		283459	E ring	(1)
50		283149	Feed regulating gear (B)	(1)
51		283502	Screw	2

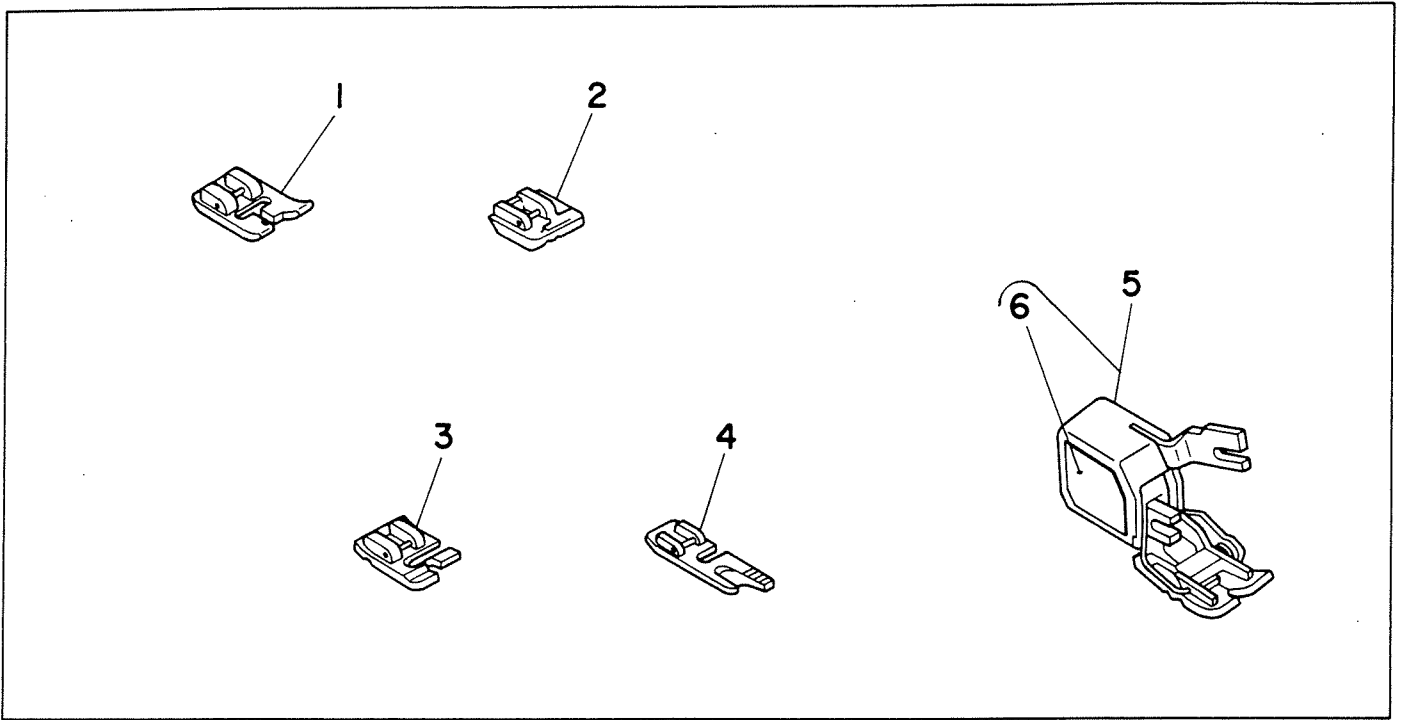
13. POWER CIRCUIT BOARD, MAIN MOTOR COMPONENTS



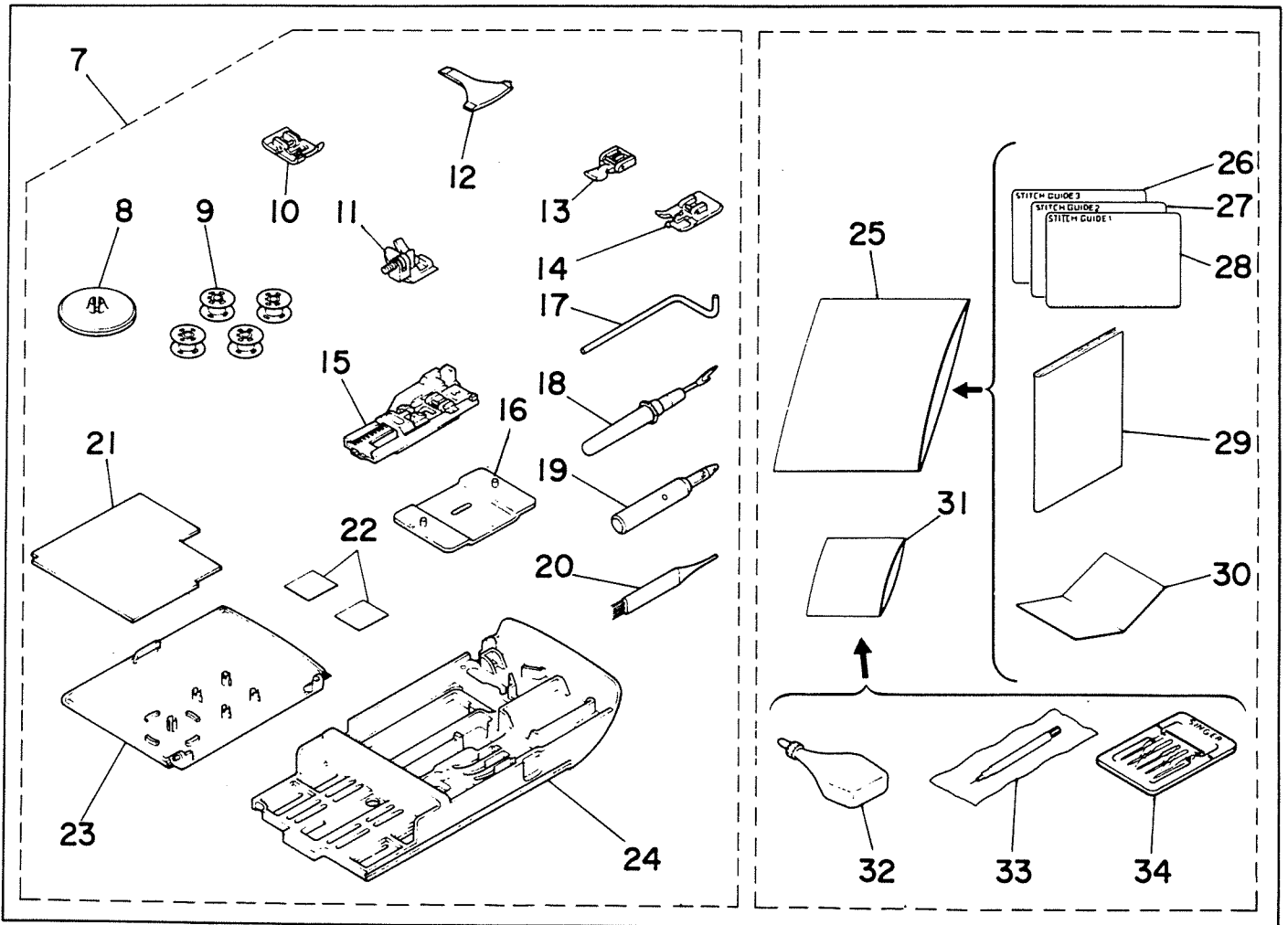
Ref No.	Note	Part No.	Part Description	Qty
1		283361	Power transformer (asm.) --- UL/CSA	1
		283548	Power transformer (asm.) --- VDE/KEMA	1
		283549	Power transformer (asm.) --- SAA/BS	1
2		283502	Screw	4
3		283350	Power c.board (asm.) --- UL/CSA	1
		283550	Power c.board (asm.) --- VDE/SAA/BS/KEMA	1
4		283434	Fuse	1
5		283346	Electrical component cover	1
6		283471	Screw	2
7		283360	Power SW mount. base (asm.) --- UL/CSA	1
		283555	Power SW mount. base (asm.) --- VDE/SAA/KEMA	1
		283556	Power SW mount. base (asm.) --- BS	1
8		283355	Band	(1)
9		283349	Light SW (asm.) --- UL/CSA	(1)
		283553	Light SW (asm.) --- VDE/SAA/BS/KEMA	(1)
10		283359	Power SW mount. base	(1)
11		283471	Screw	(1)
12		283348	Power SW (asm.) --- UL/CSA	(1)
		283554	Power SW (asm.) --- VDE/SAA/BS/KEMA	(1)
13		283358	Power SW cover	(1)
14		283469	Screw	(1)
15		283322	Cord holder	1
16		283502	Screw	2
17		283345	Speed controller receptacle (asm.)	1
18		283487	Screw	2
19		283370	Speed controller (asm.)	1
20		283368	Motor (asm.) B --- UL/CSA	1
		283551	Motor (asm.) B --- VDE/KEMA	1
		283552	Motor (asm.) B --- SAA/BS	1
21	*	283367	Motor (asm.) A	(1)
22	*	283369	Motor bracket	(1)
23	*	283365	Motor shaft pulley	(1)
24	*	283366	Motor shaft flange	(1)
25	*	283227	Arch-shaped E ring	(1)
26	*	283448	Nut	(2)
27	*	283457	Pulley pin	(1)
28		283375	Shielding plate	(1)
29		283473	Screw	(1)
30		283374	Motor base mounting base	(1)
31		283323	Cord holder	(1)
32		283451	Nut	(2)
33		283376	Motor pulse detector circuit board (asm.)	(1)
34		283522	Screw	(1)
35		283504	Screw	2

14. OPTIONAL PARTS, ACCESSORIES PARTS COMPONENTS

OPTIONAL PARTS(UL,CSA), ACCESSORIES PARTS(VDE, SAA, BS, KEMA)



ACCESSORIES PARTS



Ref No.	Note	Part No.	Part Description	Qty
1		283426	Manual buttonholing presser foot (asm.)	1
2		283400	Concealed zipper presser foot (asm.)	1
3		283397	Cording presser foot (asm.)	1
4		283393	Rolled hemming presser foot (asm.)	1
5		283409	Top feed attachment presser foot (asm.)	1
6	*	283410	Caution plate on the top feed attachment (asm.)	(1)
7		283390	Accessory box (asm.)	1
8		283023	Thread spool cap (asm.)	(1)
9		283395	Bobbin	(4)
10		283427	Teflon presser foot	(1)
11		283402	Blind stitch presser foot (asm.)	(1)
12		283394	Screwdriver	(1)
13		283399	Zipper sewing presser foot (asm.)	(1)
14		283404	Overedging presser foot (asm.)	(1)
15		283396	Buttonholing presser foot (asm.)	(1)
16		283406	Embroidery needle plate (asm.)	(1)
17		283401	Ruler	(1)
18		283398	Seam ripper	(1)
19		283392	Eyelet punch	(1)
20		283403	Brush	(1)
21		283441	Accessory box sheet	(1)
22		283447	Accessory box tape	(2)
23		283389	Lid	(1)
24		283388	Accessory box	(1)
25	*	283413	Vinyl bag	1
26		283422	Stitch guide (3)	1
27		283421	Stitch guide (2)	1
28		283420	Stitch guide (1)	1
29		283433	Instruction manual --- UL/CSA	1
		283557	Instruction manual --- VDE	1
		283558	Instruction manual --- SAA	1
		283559	Instruction manual --- BS	1
		283560	Instruction manual --- KEMA	1
30		283428	Warranty card	1
31	*	283414	Vinyl bag	1
32		283391	Oiler	1
33		283425	Assistant marker	1
34		283407	Needle 2020,2045	1
		283561	Needle (asm.) --- VDE/SAA/BS/KEMA	1

15. NUMERICAL INDEX OF PARTS

Part No	Page	No	Part No	Page	No	Part No	Page	No	Part No	Page	No
283001	2	2	283072	14	47	283143	24	26	283213	24	7
283002	2	1	283073	14	58	283144	24	44	283214	24	14
283003	2	6	283074	14	44	283145	24	42	283215	24	9
283004	2	5	283075	14	65	283146	24	30	283216	14	70
283005	2	10	283076	14	60	283147	4	27	283217	12	29
283006	2	9	283077	14	68	283147	20	41	283217	16	18
283007	18	5	283078	14	69	283147	24	35	283217	22	9
283008	2	8	283079	10	41	283147	24	38	283218	14	13
283009	2	11	283080	14	66	283148	24	48	283219	10	4
283010	4	1	283081	14	31	283149	24	50	283220	10	3
283011	4	5	283082	14	33	283150	24	46	283221	10	1
283012	4	3	283083	14	28	283151	6	45	283222	10	5
283013	4	17	283084	14	36	283152	24	28	283223	10	6
283014	4	32	283085	14	34	283153	24	25	283224	10	25
283015	4	14	283086	14	35	283154	24	19	283225	10	21
283016	4	13	283087	14	8	283155	24	18	283226	10	24
283017	4	31	283088	14	29	283156	18	18	283227	10	23
283018	4	16	283089	14	4	283157	16	43	283227	26	25
283019	4	23	283090	14	20	283158	16	39	283228	10	27
283020	4	28	283091	14	6	283159	16	41	283229	10	30
283021	4	19	283092	14	53	283160	16	40	283230	10	15
283022	22	15	283093	14	24	283161	18	41	283231	10	17
283023	28	8	283094	14	14	283162	16	59	283232	10	13
283024	4	2	283095	16	51	283163	16	57	283233	10	14
283025	2	20	283096	14	15	283164	16	58	283234	18	13
283026	2	19	283097	14	17	283165	20	21	283235	16	33
283027	2	16	283098	16	52	283166	20	18	283236	16	23
283028	2	15	283099	16	46	283167	20	19	283237	16	27
283029	2	30	283100	16	48	283168	20	48	283238	16	34
283030	6	42	283101	16	49	283169	20	46	283239	16	32
283031	6	36	283102	14	25	283170	20	50	283240	16	31
283032	6	39	283103	10	32	283171	20	57	283241	16	36
283033	2	17	283104	14	27	283172	20	53	283242	20	36
283034	2	18	283105	14	26	283173	18	4	283243	16	19
283035	6	37	283106	10	10	283174	20	56	283244	16	1
283036	18	60	283106	14	16	283175	20	58	283245	16	8
283037	2	32	283107	10	9	283176	20	62	283246	12	24
283038	2	31	283108	14	10	283177	20	55	283246	16	6
283039	2	23	283109	14	18	283178	20	54	283247	16	5
283040	18	56	283110	14	11	283179	20	59	283248	16	11
283041	18	47	283111	10	19	283180	20	60	283249	16	10
283042	20	63	283112	20	12	283181	20	64	283250	16	2
283043	8	19	283113	20	9	283182	20	15	283251	16	3
283044	8	26	283114	20	6	283183	18	1	283252	16	4
283045	8	23	283115	20	3	283184	18	20	283253	16	54
283046	8	24	283116	20	4	283185	18	2	283254	16	20
283047	8	28	283117	18	11	283186	18	10	283255	16	12
283048	8	29	283118	20	7	283187	18	16	283256	14	22
283048	18	14	283119	20	28	283188	18	7	283257	2	4
283049	8	17	283120	20	33	283189	18	24	283258	2	3
283050	8	30	283121	18	45	283190	18	39	283259	8	2
283051	8	16	283122	20	11	283191	18	40	283260	8	1
283052	8	32	283123	20	34	283192	18	36	283261	8	7
283053	8	41	283124	20	29	283193	18	50	283262	8	5
283054	8	42	283125	20	27	283194	18	54	283263	10	50
283055	8	37	283126	18	43	283195	18	53	283264	8	3
283056	8	40	283127	20	31	283196	18	23	283265	8	9
283057	8	39	283128	14	50	283197	18	22	283266	12	16
283058	14	49	283128	18	33	283198	18	25	283267	12	15
283059	14	62	283129	18	34	283199	18	31	283268	12	17
283060	14	63	283130	20	13	283200	16	37	283269	12	19
283061	8	18	283131	20	24	283201	16	25	283270	12	20
283062	14	39	283132	20	23	283202	16	24	283271	4	15
283063	14	37	283133	20	25	283203	18	29	283272	10	51
283064	14	43	283134	20	38	283204	18	27	283273	12	28
283065	14	40	283135	20	40	283205	18	28	283274	12	26
283066	14	59	283136	20	42	283206	8	15	283275	12	23
283067	14	51	283137	20	1	283207	8	13	283276	12	39
283068	14	41	283138	20	14	283208	24	3	283277	12	35
283069	14	56	283139	24	33	283209	24	1	283278	12	40
283070	8	11	283140	24	32	283210	24	2	283279	12	37
283070	14	2	283141	24	39	283211	24	12	283280	12	38
283071	14	45	283142	24	20	283212	24	5	283281	12	31

Part No	Page	No	Part No	Page	No	Part No	Page	No	Part No	Page	No
283283	10	45	283349	26	9	283427	28	10	283471	16	7
283284	12	11	283350	26	3	283428	28	30	283471	24	13
283285	12	3	283351	4	34	283433	28	29	283471	26	6
283286	12	8	283352	4	9	283434	26	4	283471	26	11
283287	12	5	283353	4	35	283441	28	21	283472	10	52
283288	12	2	283354	4	36	283447	28	22	283473	8	31
283289	12	1	283355	2	7	283448	26	26	283473	20	20
283290	12	7	283355	4	40	283449	18	49	283473	26	29
283291	12	6	283355	6	21	283450	16	35	283474	4	6
283292	10	44	283355	8	35	283451	8	53	283475	16	45
283293	10	55	283355	10	43	283451	26	32	283476	14	1
283294	10	53	283355	12	27	283452	10	18	283476	14	54
283295	6	29	283355	16	15	283453	16	21	283477	18	6
283296	6	30	283355	18	62	283454	14	48	283477	18	59
283297	6	31	283355	22	10	283455	8	22	283478	6	23
283298	10	47	283355	24	16	283456	8	21	283478	14	30
283299	10	46	283355	26	8	283456	14	46	283479	16	47
283300	22	2	283356	6	8	283457	26	27	283480	18	9
283301	22	1	283357	18	65	283458	12	36	283481	8	52
283302	22	5	283358	26	13	283459	6	41	283482	14	19
283303	22	3	283359	26	10	283459	8	4	283483	4	4
283304	20	51	283360	26	7	283459	10	2	283484	2	27
283304	22	13	283361	26	1	283459	12	21	283485	12	34
283305	22	12	283362	6	22	283459	12	32	283485	16	17
283306	22	11	283363	6	35	283459	16	29	283485	22	8
283307	22	6	283364	6	32	283459	16	42	283486	6	26
283308	22	4	283365	26	23	283459	20	5	283486	10	12
283309	22	7	283366	26	24	283459	20	30	283486	10	35
283310	16	16	283367	26	21	283459	20	44	283486	16	26
283311	4	22	283368	26	20	283459	20	49	283487	10	54
283312	4	21	283369	26	22	283459	20	52	283487	10	56
283313	4	20	283370	26	19	283459	24	31	283487	18	44
283314	4	25	283371	2	28	283459	24	37	283487	18	64
283315	4	24	283372	8	34	283459	24	41	283487	26	18
283316	10	37	283373	8	38	283459	24	49	283488	10	7
283317	10	36	283374	26	30	283460	8	8	283488	14	42
283318	10	38	283375	26	28	283460	8	50	283488	14	55
283319	10	34	283376	26	33	283460	10	28	283488	16	60
283320	10	33	283377	8	49	283460	12	9	283489	24	34
283321	10	39	283378	8	45	283460	14	52	283490	12	10
283322	4	39	283379	8	46	283460	16	9	283491	2	33
283322	10	11	283380	8	47	283460	16	22	283491	4	8
283322	12	13	283381	8	51	283460	16	55	283491	4	10
283322	18	63	283388	28	24	283460	20	35	283491	4	12
283322	24	23	283389	28	23	283460	20	61	283491	4	30
283322	26	15	283390	28	7	283460	24	11	283491	4	42
283323	20	17	283391	28	32	283461	8	14	283491	6	44
283323	26	31	283392	28	19	283461	16	30	283491	6	48
283324	6	1	283393	28	4	283461	18	38	283491	10	8
283325	6	16	283394	28	12	283462	16	28	283491	10	40
283326	6	2	283395	18	52	283463	18	15	283491	10	42
283327	6	6	283395	28	9	283464	8	33	283491	12	14
283328	6	15	283396	28	15	283464	8	36	283491	12	22
283329	6	17	283397	28	3	283465	14	61	283491	12	41
283330	6	18	283398	28	18	283466	16	38	283491	14	5
283331	6	14	283399	28	13	283467	16	56	283491	14	12
283332	6	11	283400	28	2	283468	2	14	283491	14	21
283333	6	12	283401	28	17	283468	16	44	283491	14	23
283334	6	5	283402	28	11	283469	4	33	283491	14	57
283335	6	28	283403	28	20	283469	6	4	283491	18	66
283336	4	11	283404	28	14	283469	12	4	283491	20	2
283337	4	7	283405	14	64	283469	24	15	283491	20	16
283338	6	9	283406	28	16	283469	26	14	283491	20	37
283339	6	46	283407	28	34	283470	4	38	283491	20	47
283340	6	33	283409	28	5	283470	6	43	283491	20	65
283341	6	25	283410	28	6	283470	8	44	283491	24	27
283342	6	34	283413	28	25	283470	10	31	283491	24	29
283343	6	24	283414	28	31	283470	12	25	283492	10	48
283344	6	20	283420	28	28	283471	2	22	283493	4	37
283345	26	17	283421	28	27	283471	2	25	283493	4	41
283346	26	5	283422	28	26	283471	2	29	283494	24	45
283347	8	43	283425	28	33	283471	4	29	283495	6	47
283348	26	12	283426	28	1	283471	14	67	283496	22	14

Part No	Page	No	Part No	Page	No	Part No	Page	No	Part No	Page	No
283498	6	38	283525	6	19		0	0		0	0
283499	24	47	283526	14	7		0	0		0	0
283500	10	49	283527	12	18		0	0		0	0
283501	12	12	283527	12	30		0	0		0	0
283501	16	13	283527	20	43		0	0		0	0
283502	8	10	283527	24	36		0	0		0	0
283502	8	12	283527	24	40		0	0		0	0
283502	8	25	283528	8	6		0	0		0	0
283502	10	26	283528	10	29		0	0		0	0
283502	16	14	283528	16	53		0	0		0	0
283502	18	8	283529	4	26		0	0		0	0
283502	18	17	283529	24	10		0	0		0	0
283502	18	30	283530	8	48		0	0		0	0
283502	18	35	283531	20	39		0	0		0	0
283502	18	46	283540	2	2		0	0		0	0
283502	18	55	283541	2	28		0	0		0	0
283502	18	57	283542	4	34		0	0		0	0
283502	18	58	283543	6	1		0	0		0	0
283502	18	61	283544	6	1		0	0		0	0
283502	20	66	283545	18	65		0	0		0	0
283502	20	67	283546	18	65		0	0		0	0
283502	22	16	283547	18	65		0	0		0	0
283502	24	4	283548	26	1		0	0		0	0
283502	24	17	283549	26	1		0	0		0	0
283502	24	22	283550	26	3		0	0		0	0
283502	24	51	283551	26	20		0	0		0	0
283502	26	2	283552	26	20		0	0		0	0
283502	26	16	283553	26	9		0	0		0	0
283503	14	9	283554	26	12		0	0		0	0
283503	24	21	283555	26	7		0	0		0	0
283504	2	26	283556	26	7		0	0		0	0
283504	26	35	283557	28	29		0	0		0	0
283505	10	16	283558	28	29		0	0		0	0
283505	24	8	283559	28	29		0	0		0	0
283506	14	38	283560	28	29		0	0		0	0
283506	16	50	283561	28	34		0	0		0	0
283506	18	26		0	0		0	0		0	0
283506	18	42		0	0		0	0		0	0
283506	20	8		0	0		0	0		0	0
283506	20	32		0	0		0	0		0	0
283507	20	22		0	0		0	0		0	0
283508	20	10		0	0		0	0		0	0
283509	18	48		0	0		0	0		0	0
283510	18	19		0	0		0	0		0	0
283510	18	21		0	0		0	0		0	0
283511	18	3		0	0		0	0		0	0
283511	18	32		0	0		0	0		0	0
283511	18	37		0	0		0	0		0	0
283511	20	45		0	0		0	0		0	0
283511	24	6		0	0		0	0		0	0
283511	24	43		0	0		0	0		0	0
283512	14	32		0	0		0	0		0	0
283513	20	26		0	0		0	0		0	0
283514	10	20		0	0		0	0		0	0
283515	18	12		0	0		0	0		0	0
283516	8	20		0	0		0	0		0	0
283516	8	27		0	0		0	0		0	0
283517	6	49		0	0		0	0		0	0
283517	14	3		0	0		0	0		0	0
283518	18	51		0	0		0	0		0	0
283519	10	22		0	0		0	0		0	0
283520	2	12		0	0		0	0		0	0
283521	6	7		0	0		0	0		0	0
283522	4	18		0	0		0	0		0	0
283522	6	3		0	0		0	0		0	0
283522	6	13		0	0		0	0		0	0
283522	6	27		0	0		0	0		0	0
283522	26	34		0	0		0	0		0	0
283523	2	13		0	0		0	0		0	0
283523	2	21		0	0		0	0		0	0
283523	2	24		0	0		0	0		0	0
283524	6	40		0	0		0	0		0	0
283525	6	10		0	0		0	0		0	0

