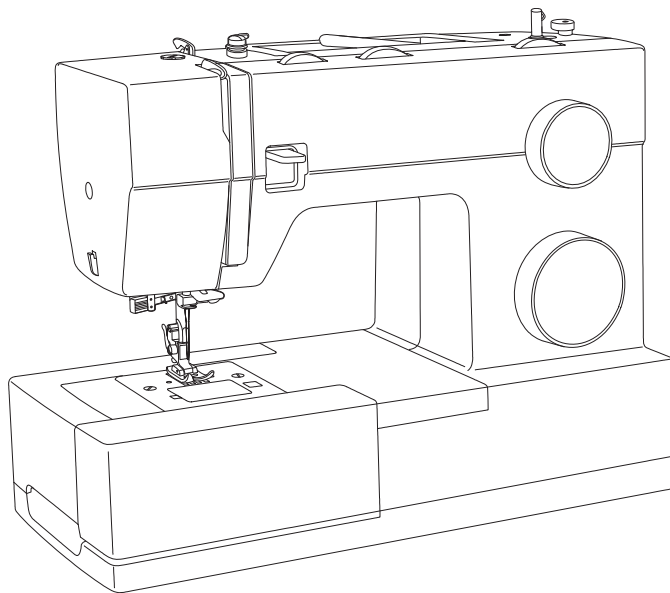




**SINGER®**

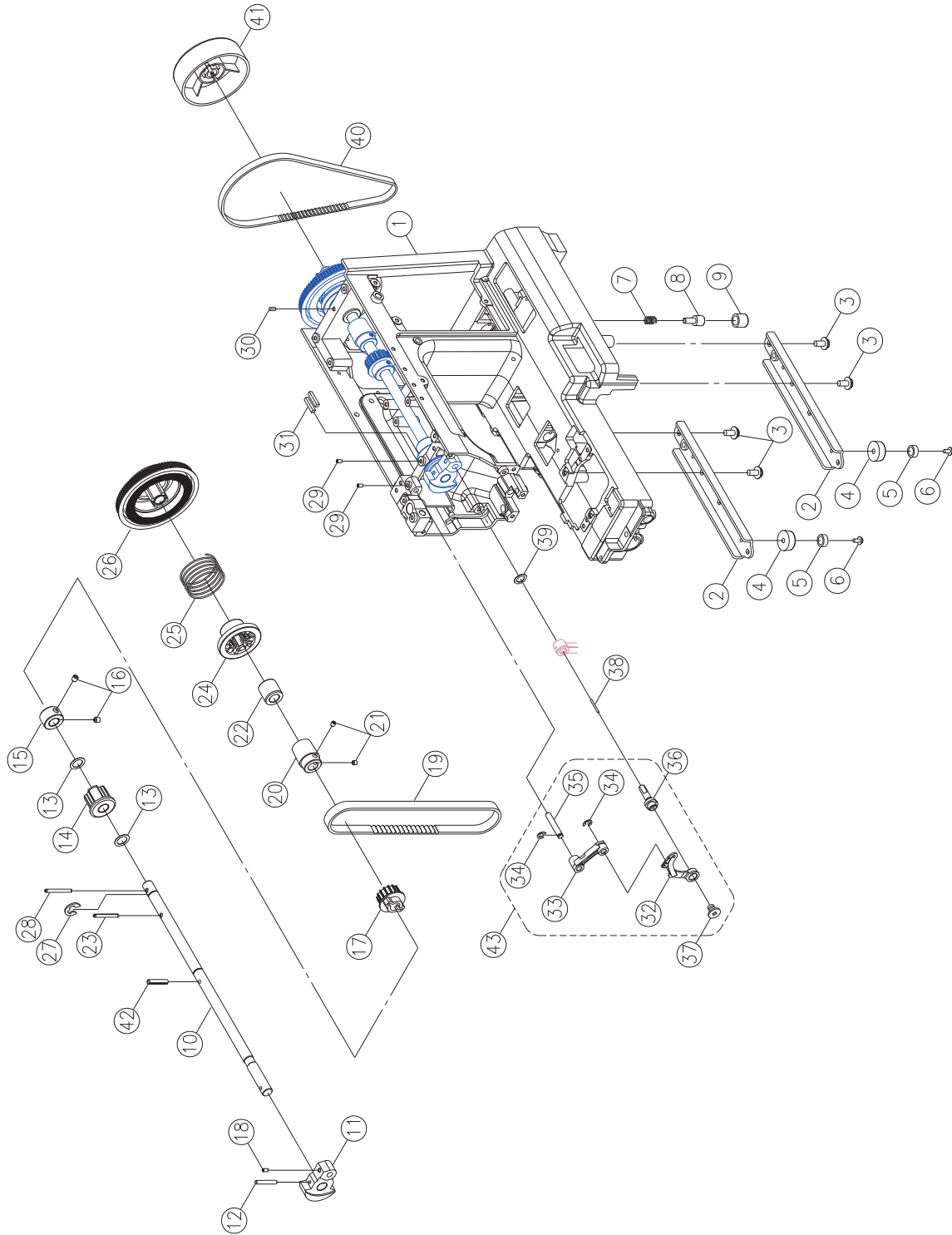
4411/5511/4423/5523/5554/44S/  
4432/5532



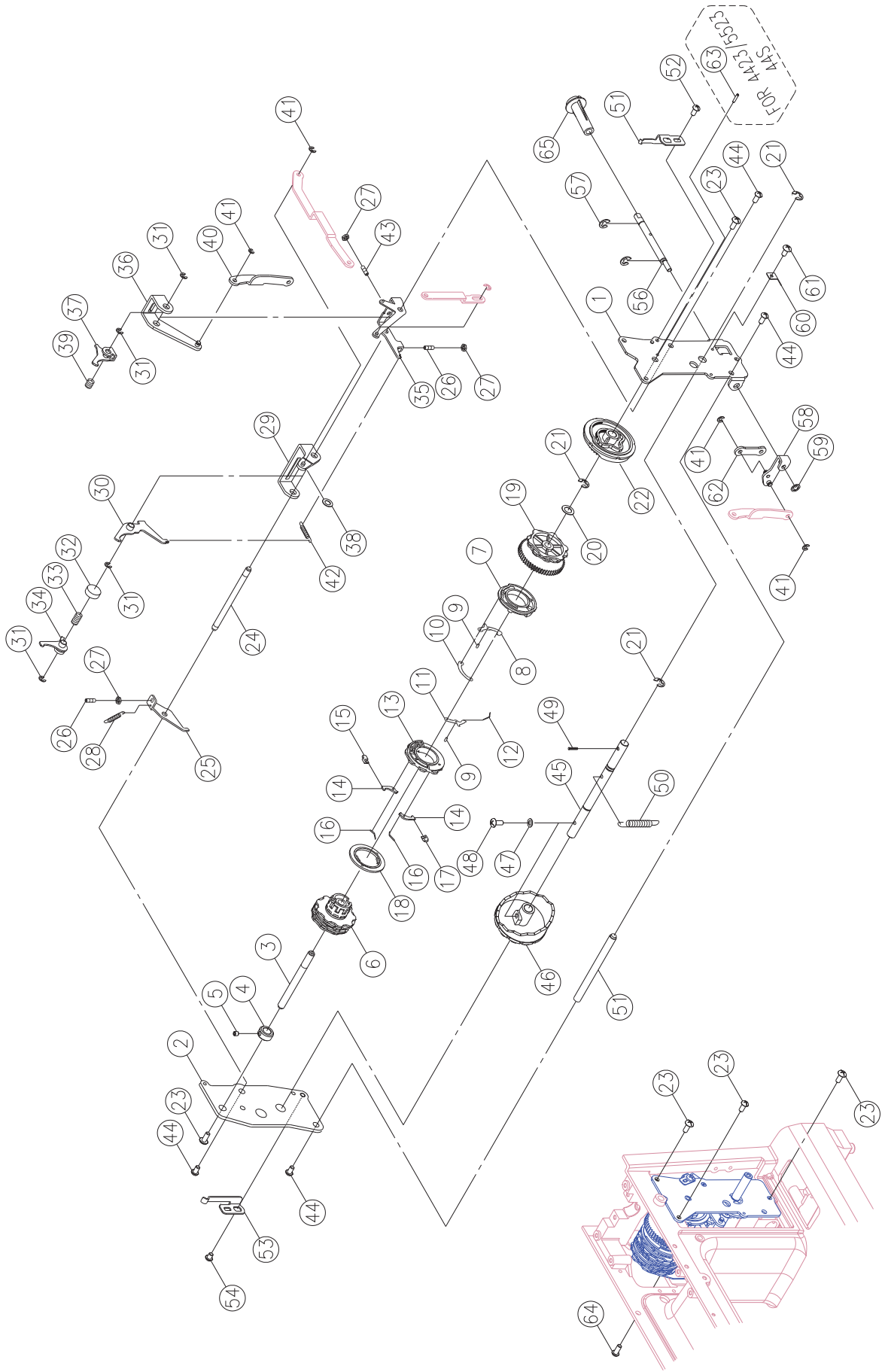
Liste de pièces  
Lista de Piezas  
Parts List

® A registered trademark of The Singer Company Ltd. or its affiliates.  
® *Una marca registrada de The Singer Company Ltd. o sus afiliados.*  
® *Une marca déposée de The Singer Company Ltd. ou ses filiales.*

# A

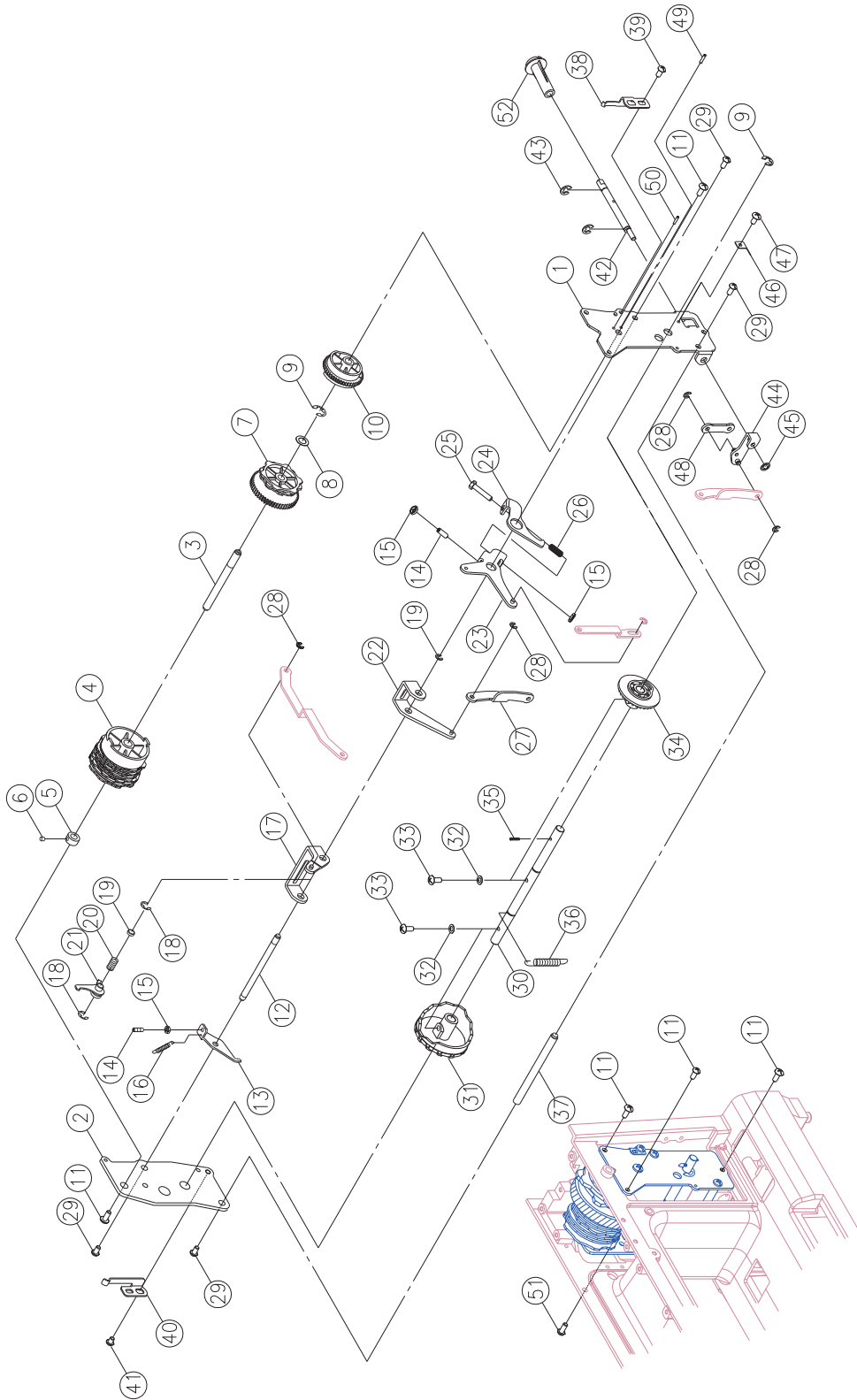


Pos	Part No.	Description	
1		ARM	
2	416466301	FREE ARM FOOT	
3	270 004250426	SET SCREW (M5×10 )	
4	270 F31103000	FREE ARM BASE CUSHION RUBBER	
5	416542201	SPACER	
6	270 004240586	SET SCREW(M4×8)	
7	416154401	SPRING	
8	416154601	ADJUSTMENT SCREW	
9	270 K6A0063000	FREE ARM BASE CUSHION	
10	416542301	ARM SHAFT	
11	416542401	ARM SHAFT BALANCE	
12	270 003043524	ARM SHAFT BALANCE PIN (φ3.5×24)	
13	270 004400080	ENDURE ATTRITION WASHER (10.2×15×0.5)	
14	416727201	ARM SHAFT BUSING	
15	416156501	ARM SHAFT COLLAR	
16	270 004250203	SET SCREW(M5×5 C)	
17	270 H1A0403000	ARM SHAFT SPROCKET	
18	416122101	SET SCREW(M4×6 C)	
19	416727301	MOTOR DRIVE BELT (83XL)	
20	416542601	ARM SHAFT WORM	
21	416122401	SET SCREW(M4×4 C)	
22	416727401	ARM SHAFT BUSING	
23	270 003043028	SPRING PIN(φ3×28)	
24	416307201	ARM SHAFT COLLAR	
25	270 D5A0573003	ARM SHAFT CLUTCH ANNULUS SPRING	
26	270 D5A0563000	ARM SHAFT DRIVER BELT PULLEY	FOR BGK MOTOR
26	416542801	ARM SHAFT DRIVER BELT PULLEY	FOR FDM MOTOR
27	416542901	E-RING (ETW-8)	
28	270 003043030	SPRING PIN(φ3×30)	
29	416121001	SET SCREW(M4×5 C)	
30	416543001	OIL COTTON	
31	416727501	OIL COTTON	
32	416543101	THREAD TAKE UP LEVER	
33	416147701	THREAD TAKE UP LEVER SUPPORTER	
34	416116001	E-RING (ETW-3)	
35	270 V60223003	THREAD TAKE UP LEVER SUPPORTER SHAFT	
36	416543201	ARM SHAFT BALANCE PIN COMPLETE	
37	416543301	SET SCREW (9/64×40×5)	
38	416543401	OIL COTTON	
39	416125901	ENDURE ATTRITION WASHER (φ6.2×φ9.6×0.5)	
40	416466501	MOTOR DRIVE BELT	FOR BGK MOTOR
40	416466401	MOTOR DRIVE BELT	FOR FDM MOTOR
41	416466601	HAND WHEEL	FOR 4411/5511/4423/5523/5554/44S/4432
41	416727601	HAND WHEEL	FOR 5532
42	416117601	SPRING PIN(φ3×18)	
43	416466701	THREAD TAKE UP LEVER COMPLETE	

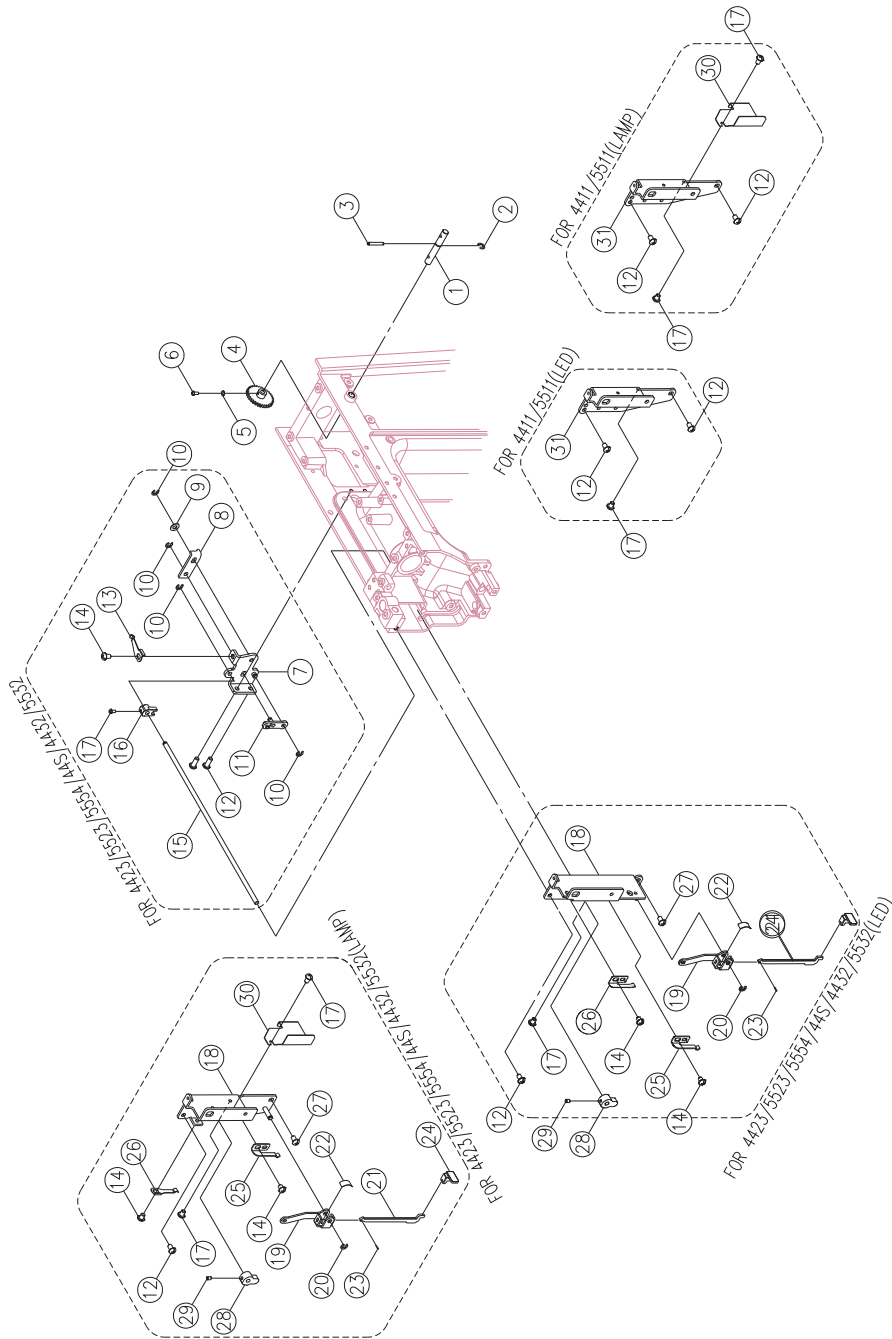


TAKE CARE THE CIRCLED PARTS FOR THE MODEL YOU WANT.

Pos	Part No.	Description	
1	416543501	PATTERN CAM CONTACT PLATE (FRONT)	
2	416543701	PATTERN CAM CONTACT PLATE (BACK)	
3	416543801	PATTERN CAM SHAFT	
4	416151901	PATTERN CAM SHAFT COLLAR	
5	416122401	SET SCREW (M4×4 C)	
6	270 K6A0263000	PATTERN CAM	
7	416543901	BH FEED REGULATOR CAM	
8	416544001	BH CLUTCH CONTACT A	
9	416229201	BH CLUTCH SHAFT	
10	416544101	BH CLUTCH LEVER	
11	416544201	BH CLUTCH CONTACT B	
12	416229601	BH CLUTCH SPRING PLATE	
13	416544301	BH CAM	
14	416544401	BH CONTACT	
15	416544501	BH SLIDE BLOCK R	
16	416544601	BH CONTACT SPRING PLATE	
17	416544701	BH SLIDE BLOCK L	
18	416544801	STRAIGHT STITCH CAM	
19	416427901	SS CAM	
20	416228101	WASHER(φ8.2×φ14×0.5)	
21	416116401	E-RING(ETW-6)	
22	270 K6B0033000	FEED REGULATOR CAM	
23	416121501	SET SCREW (M4×8 A)	
24	416598001	ZIGZAG CAM CONTACT SUPPORTER SHAFT	
25	416544901	ZIGZAG RELEASE PLATE	
26	416185501	SET SCREW (M4×0.7 L9)	
27	416126801	NUT(ALN-4)	
28	416545001	ZIGZAG RELEASE PLATE SPRING	
29	416545101	ZIGZAG CAM CONTACT SUPPORTER	
30	416545201	BH FEED CRANK	
31	270 003010056	E-RING(ETW-5)	
32	416545301	SPRING PEDESTAL	
33	416517801	ZIGZAG CAM CONTACT SPRING	
34	416545501	ZIGZAG CAM CONTACT	
35	416545601	BH ADJUSTING CRANK	
36	416545701	SS CAM CONTACT SUPPORTER	
37	416597501	SS CAM CONTACT	
38	416597101	WASHER(φ6.6×φ14×1)	
39	416166401	SS CAM CONTACT SPRING	
40	416546001	FEED ROCK SHAFT	
41	416116001	E-RING (ETW-3)	
42	416187301	BH FEED CRANK SPRING	
43	416122701	SET SCREW (M4×0.7 L12)	
44	416119701	SET SCREW (M3×8 B)	
45	416546101	PATTERN SELECTOR CAM SHAFT	
46	416727701	PATTERN SELECTOR CAM	
47	416185901	WASHER (φ4.2×φ9×0.5 )	
48	416185201	SET SCREW (M4×10)	
49	416183901	SPRING PIN (φ2.5×16)	
50	416546301	FEED REGULATING CRANK SPRING	
51	416546401	PATTERN CAM CONTACT SUPPORTER SHAFT	
52	416546501	FEED REGULATOR FIX PLATE	
53	416604601	SET SCREW (M4×4 B)	
54	416195301	PATTERN FIX SPRING PLATE	
55	416226601	SET SCREW(M4×5 B)	
56	416546701	TRIMMING SHAFT	
57	416116101	E-RING(ETW-4)	
58	416546801	ADJUSTING PLATE	
59	270 003020043	CS-RING (CSTW-4)	
60	416546901	TRIMMING SHAFT PLATE	
61	416120601	SET SCREW(M3×5 A)	
62	416547001	FEED REGULATING ROD	
63	416547101	SPRING PIN (φ2.5×10)	FOR 4423/5523/5554/44S
64	416121101	SET SCREW(M4×10 B)	
65	416555201	TRIMMING DIAL	FOR 44S
65	416547201	TRIMMING DIAL	FOR 4423/5554
65	416727801	TRIMMING DIAL	FOR 4432
65	416727901	TRIMMING DIAL	FOR 5523
65	416728001	TRIMMING DIAL	FOR 5532



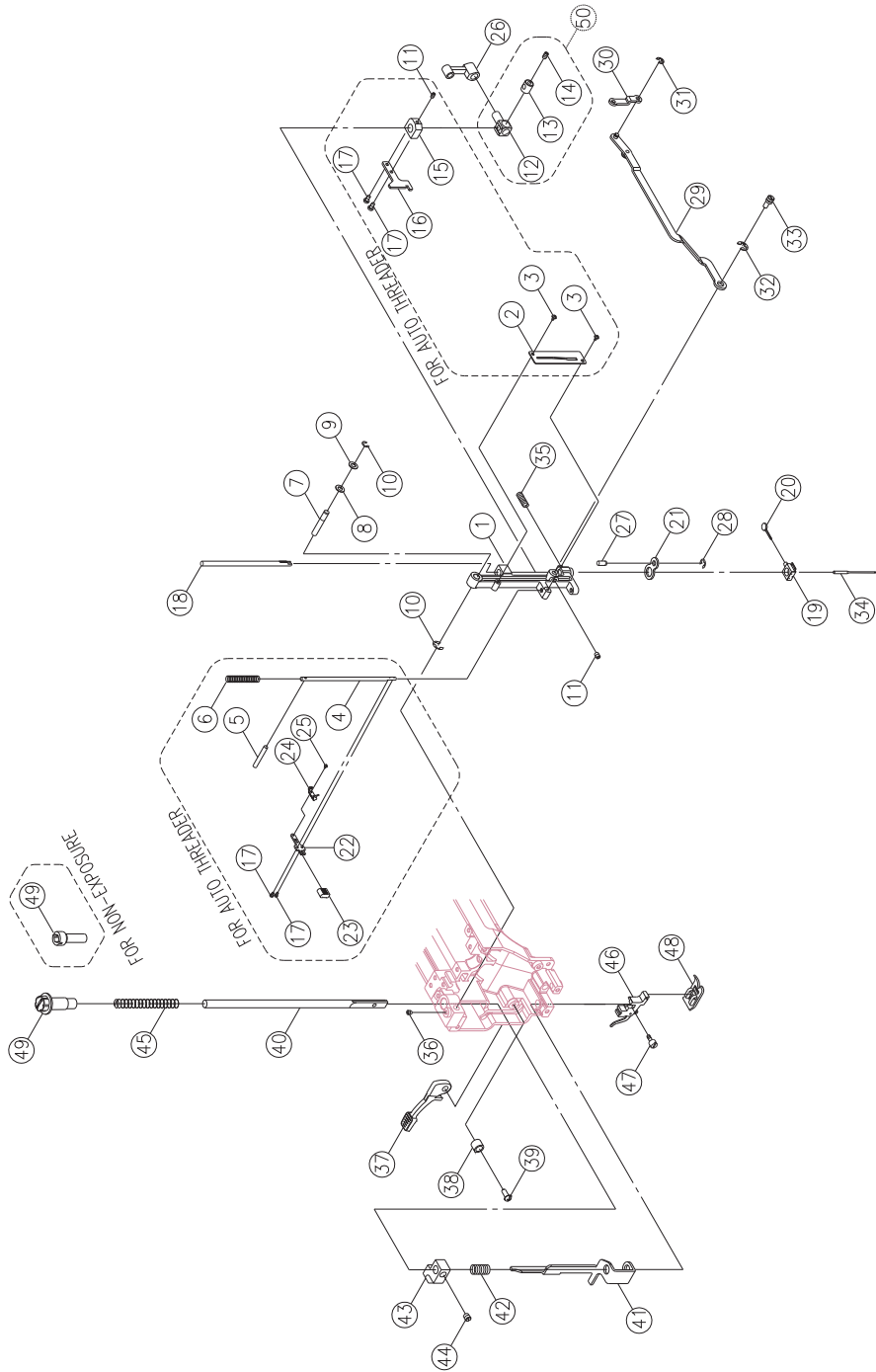
Pos	Part No.	Description	
1	416543501	PATTERN CAM CONTACT PLATE (FRONT)	
2	416543701	PATTERN CAM CONTACT PLATE (BACK)	
3	416543801	PATTERN CAM SHAFT	
4	416430101	PATTERN CAM	
5	416151901	PATTERN CAM SHAFT COLLAR	
6	416122401	SET SCREW (M4×4 C)	
7	416427901	SS CAM	
8	416228101	WASHER(□8.2×□14×0.5)	
9	416116401	E-RING(ETW-6)	
10	270 K6B0033000	FEED REGULATOR CAM	
11	416121501	SET SCREW (M4×8 A)	
12	416598001	ZIGZAG CAM CONTACT SUPPORTER SHAFT	
13	416544901	ZIGZAG RELEASE PLATE	
14	416185501	SET SCREW (M4×0.7 L9)	
15	416126801	NUT(ALN-4)	
16	416545001	ZIGZAG RELEASE PLATE SPRING	
17	416545101	ZIGZAG CAM CONTACT SUPPORTER	
18	270 003010056	E-RING(ETW-5)	
19	416545301	SPRING PEDESTAL	
20	416517801	ZIGZAG CAM CONTACT SPRING	
21	416545501	ZIGZAG CAM CONTACT	
22	416545701	SS CAM CONTACT SUPPORTER	
23	416554701	FEED ADJUST CRANK	
24	416554801	BH FEED CRANK	
25	270 004240706	SET SCREW (M4×20)	
26	270 V60813003	BH SPRING	
27	416546001	FEED ROCK SHAFT	
28	416116001	E-RING (ETW-3)	
29	416119701	SET SCREW (M3×8 B)	
30	416546101	PATTERN SELECTOR CAM SHAFT	
31	416554901	PATTERN SELECTOR CAM	
32	416185901	WASHER (□4.2×□9×0.5 )	
33	416185201	SET SCREW (M4×10)	
34	416604401	BH PATTERN SELECTOR CAM	
35	416183901	SPRING PIN (□2.5×16)	
36	416546301	FEED REGULATING CRANK SPRING	
37	416546401	PATTERN CAM CONTACT SUPPORTER SHAFT	
38	416546501	FEED REGULATOR FIX PLATE	
39	416604601	SET SCREW (M4×4 B)	
40	416195301	PATTERN FIX SPRING PLATE	
41	416226601	SET SCREW(M4×5 B)	
42	416546701	TRIMMING SHAFT	
43	416116101	E-RING(ETW-4)	
44	416546801	ADJUSTING PLATE	
45	270 003020043	CS-RING (CSTW-4)	
46	416546901	TRIMMING SHAFT PLATE	
47	416120601	SET SCREW(M3×5 A)	
48	416547001	FEED REGULATING ROD	
49	416555001	SPRING PIN (□2.5×8)	
50	416555101	SPRING PIN (□2×8)	
51	416121101	SET SCREW(M4×10 B)	
52	416555201	TRIMMING DIAL	FOR 4411
52	416727901	TRIMMING DIAL	FOR 5511



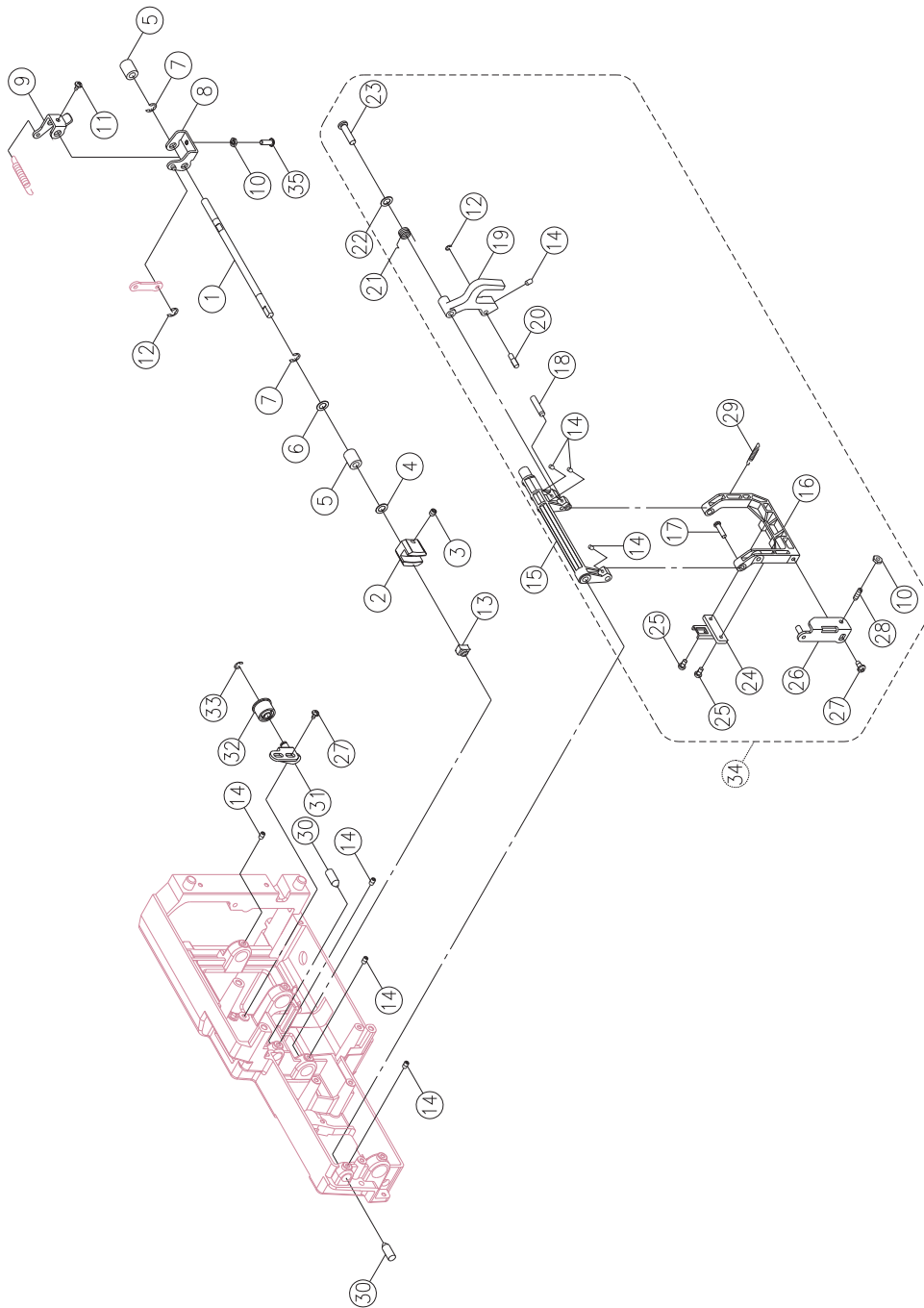
TAKE CARE THE CIRCLED PARTS FOR THE MODEL YOU WANT.



Pos	Part No.	Description	
1	416728101	FEED REGULATOR DIAL SHAFT	
2	416116301	E-RING (ETW-5)	
3	416183901	SPRING PIN (?2.5×16)	
4	270 P3A0903000	FEED REGULATOR GEAR	
5	416186101	WASHER (3.2×8×0.8)	
6	416119701	SET SCREW (M3×8 B)	
7	416728201	BH SELECTOR PLATE	FOR 4423/5523/5554/44S/4432/5532
8	416728301	BH SLIDE PLATE	FOR 4423/5523/5554/44S/4432/5532
9	416185901	WASHER(4.2×9×0.5)	FOR 4423/5523/5554/44S/4432/5532
10	416116001	E-RING (ETW-3)	FOR 4423/5523/5554/44S/4432/5532
11	416728401	BH SELECTOR PLATE	FOR 4423/5523/5554/44S/4432/5532
12	416121201	SET SCREW(M4×6 B)	
13	416728501	BH CAM PLATE	FOR 4423/5523/5554/44S/4432/5532
14	416226601	SET SCREW (M4×5 B)	FOR 4423/5523/5554/44S/4432/5532
15	270 E1A1433003	BH SELECT CRANK SHAFT	FOR 4423/5523/5554/44S/4432/5532
16	416728601	BH SELECT CRANK	FOR 4423/5523/5554/44S/4432/5532
17	270 004230056	SET SCREW (M3×5 B)	
18	270 K6A0903006	BH LEVER PLATE	FOR 4423/5523/5554/44S/4432/5532 (LAMP)
18	416728701	BH LEVER PLATE	FOR 4423/5523/5554/44S/4432/5532 (LED)
19	416728801	BH LEVER CRANK	FOR 4423/5523/5554/44S/4432/5532
20	270 003010033	E-RING (ETW-3)	FOR 4423/5523/5554/44S/4432/5532
21	416728901	BH LEVER	FOR 4423/5523/5554/44S/4432/5532
22	416729001	BH LEVER SPRING PLATE	FOR 4423/5523/5554/44S/4432/5532
23	270 003041605	SPRING PIN (?1.6×5)	FOR 4423/5523/5554/44S/4432/5532
24	270 E4A6003210	BH LEVER BUTTON	FOR 4423/5523/5554/44S/4432/5532
25	416232001	BH POSITIONED PLATE	FOR 4423/5523/5554/44S/4432/5532
26	416729101	BH POSITIONED PLATE	FOR 4423/5523/5554/44S/4432/5532 (LAMP)
26	270 E1A1523003	BH POSITIONED PLATE	FOR 4423/5523/5554/44S/4432/5532 (LED)
27	416121501	SET SCREW(M4×8 A)	
28	416231801	BH MOVEMENT CRANK	FOR 4423/5523//5554/44S/4432/5532
29	416120001	SET SCREW (M3×3 C)	FOR 4423/5523//5554/44S/4432/5532
30	270 E1A2373000	HEAT SHIELD	FOR LAMP
31	416729201	LAMP BRACKET	FOR 4411/5511



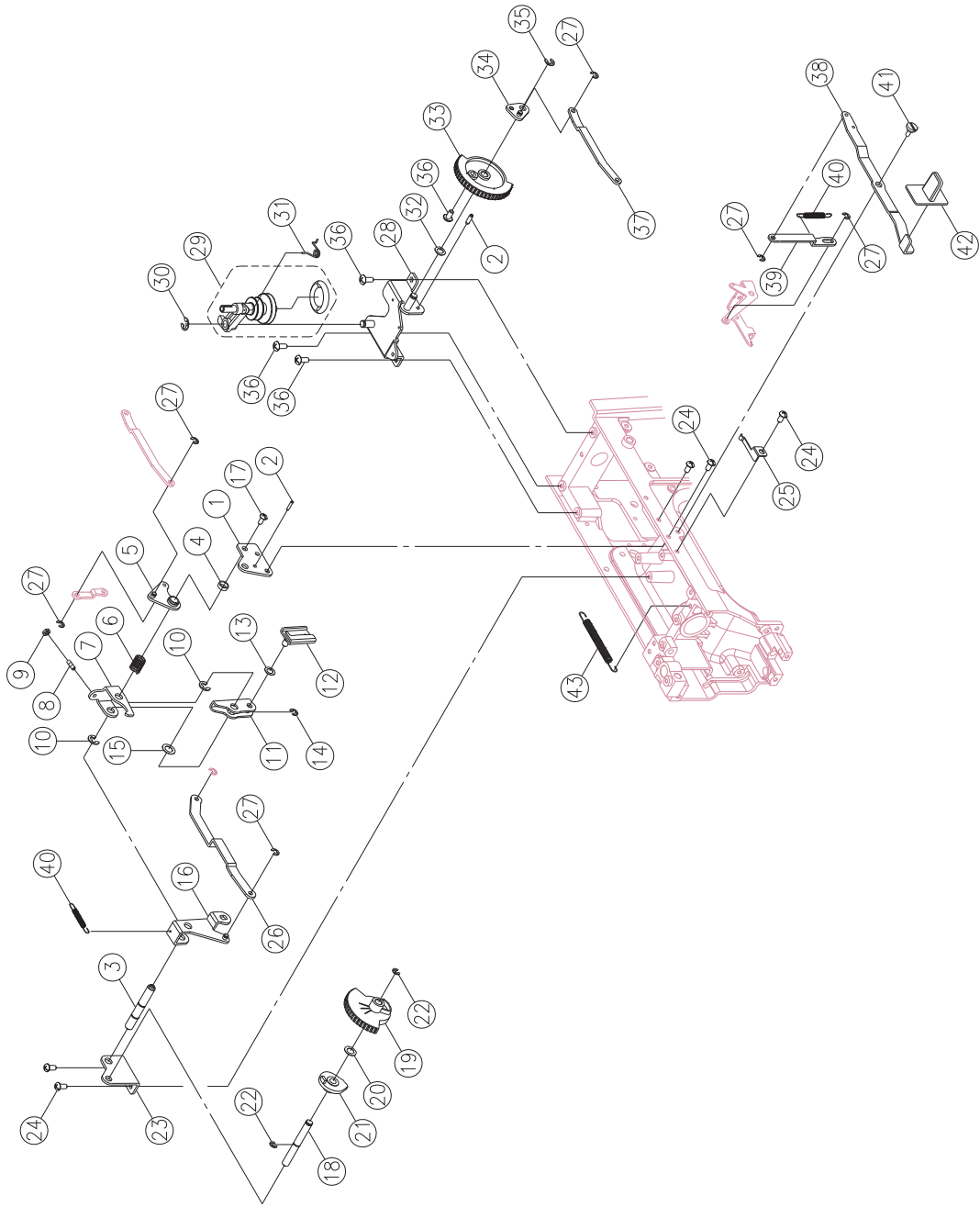
Pos	Part No.	Description	
1	416729301	NEEDLE BAR SUPPORTER	FOR AUTO THREADER
1	416729401	NEEDLE BAR SUPPORTER	
2	416729501	THREADING GUIDE	FOR AUTO THREADER
3	416119201	SET SCREW (M3×6 A)	FOR AUTO THREADER
4	416729601	THREADING SHAFT	FOR AUTO THREADER
5	270 003045014	PIN (?2×14)	FOR AUTO THREADER
6	270 P3A0253003	THREADING SHAFT SPRING	FOR AUTO THREADER
7	416189301	NEEDLE BAR SUPPORTER PIN	
8	416186901	WASHER (WW-6)	
9	416185801	WASHER (6.5×13×1)	
10	270 003010046	E-RING (ETW-4)	
11	270 004230203	SET SCREW (M3×4 C)	
12	270 H10253000	NEEDLE BAR BRACKET (1)	
13	270 H10263000	NEEDLE BAR BRACKET (2)	
14	416122401	SET SCREW (M4×4 C)	
15	416189601	THREADING STOPPER	FOR AUTO THREADER
16	416729701	THREADING STOP HOLDER	FOR AUTO THREADER
17	416184401	SET SCREW (M2×4)	FOR AUTO THREADER
18	416729801	NEEDLE BAR	
19	270 TA11034000	NEEDLE CLAMP	
20	270 TA11034000	NEEDLE CLAMP SET SCREW	
21	270 Q6A0063003	NEEDLE BAR SUPPORTER	
22	416190201	THREADING PLATE	FOR AUTO THREADER
23	416190301	THREADING BUTTON	FOR AUTO THREADER
24	416190401	THREADING SHAFT COMPLETE	FOR AUTO THREADER
25	416184301	SET SCREW (M1.6×3)	FOR AUTO THREADER
26	270 V60193000	NEEDLE BAR CRANK ROD	
27	416141301	NEEDLE BAR SUPPORTER PLATE PIN	
28	416116101	E-RING (ETW-4)	
29	416729901	NEEDLE BAR DRIVING ROD	
30	416730001	ZIGZAG WIDTH CRANK ROD	
31	416116001	E-RING (ETW-3)	
32	416116001	E-RING (ETW-3)	
33	416116301	E-RING (ETW-5)	
34	270 E1A2433000	NEEDLE BAR DRIVING ROD PIN	
35	270 006176008	NEEDLE	
36	416152701	NEEDLE BAR SUPPORTER SPRING	
37	416730101	PRESSER BAR LIFTER LEVER	
38	270 V60163000	PRESSER BAR LIFTER LEVER SCREW WASHER	
39	416121101	SET SCREW (M4×10 B)	
40	270 V70153002	PRESSER BAR	
41	416730201	TENSION LEVER LIFTER	
42	270 H10723003	TENSION LEVER LIFTER SPRING	
43	270 H10533002	PRESSER BAR BRACKET	
44	270 004260023	SET SCREW(M6×5 C)	
45	270 V70163003	PRESSER BAR SPRING	
46	416128201	SHANK COMPLETE	
47	416118401	SET SCREW (9/64×40×7.5)	
48	416187101	ZIGZAG PRESSER FOOT (C)	
49	416730301	PRESSER BAR REGULATING SCREW	FOR EXPOSURE
49	416730401	PRESSER BAR REGULATING SCREW	FOR EXPOSURE
49	416730501	PRESSER BAR REGULATING SCREW	FOR EXPOSURE
49	416730601	PRESSER BAR REGULATING SCREW	FOR EXPOSURE
49	416730701	PRESSER BAR REGULATING SCREW COMPLETE	FOR SC4
49	416730801	PRESSER BAR REGULATING SCREW COMPLETE	FOR SC4
49		PRESSER BAR REGULATING SCREW	FOR NON-EXPOSURE
50	270 H10195000	NEEDLE BAR BRACKET COMPLETE	



Pos	Part No.	Description
1	416730901	FEED REGULATING SHAFT
2	270 F30353000	FEED REGULATING
3	416122401	SET SCREW (M4×4 C)
4	270 004400570	WASHER(6.7×11.8×0.5)
5	416156901	FEED ROCK BUSHING
6	416124001	WASHER(6.7×12×1)
7	416116301	E-RING(ETW-5)
8	416731001	FEED REGULATING CRANK
9	270 E1A0493003	FEED CRANK
10	416126801	ADJUSTING NUT (ALN-4)
11	416121101	SET SCREW(M4×10 B)
12	416116001	E-RING(ETW-3)
13	270 F30333000	FEED REGULATING BLOCK
14	416122101	SET SCREW(M4×6 C)
15	416191901	FEED ROCK SHAFT
16	416192001	FEED DOG SUPPORTER
17	416192101	FEED DOG SHAFT
18	416731101	FEED ROCK FRAME SHAFT (2)
19	270 P3A0573000	FEED ROCK CRANK
20	416192601	REGULATING BLOCK SHAFT
21	416195701	FEED ROCK CRANK SPRING
22	416186301	WASHER (5.2×12×1)
23	270 P3A0583003	FEED ROCK SHAFT
24	270 H1A0363000	FEED DOG
25	270 004235016	SET SCREW (M3.5×8 A)
26	270 P3A0553002	FEED LIFTING ROCK CRANK
27	416121501	SET SCREW(M4×8 A)
28	416185501	SET SCREW (M4×0.7 L9)
29	416192701	FEED DOG SPRING
30	416192801	FEED CRANK SHAFT
31	270 H1A0463000	BELT ADJUSTING PLATE
32	270 H1A0453000	BELT ADJUSTING PLATE PULLEY
33	416116101	E-RING (ETW-4)
34	416731201	FEED ROCK SHAFT COMPLETE
35	416121601	SET SCREW(M4×12 B)

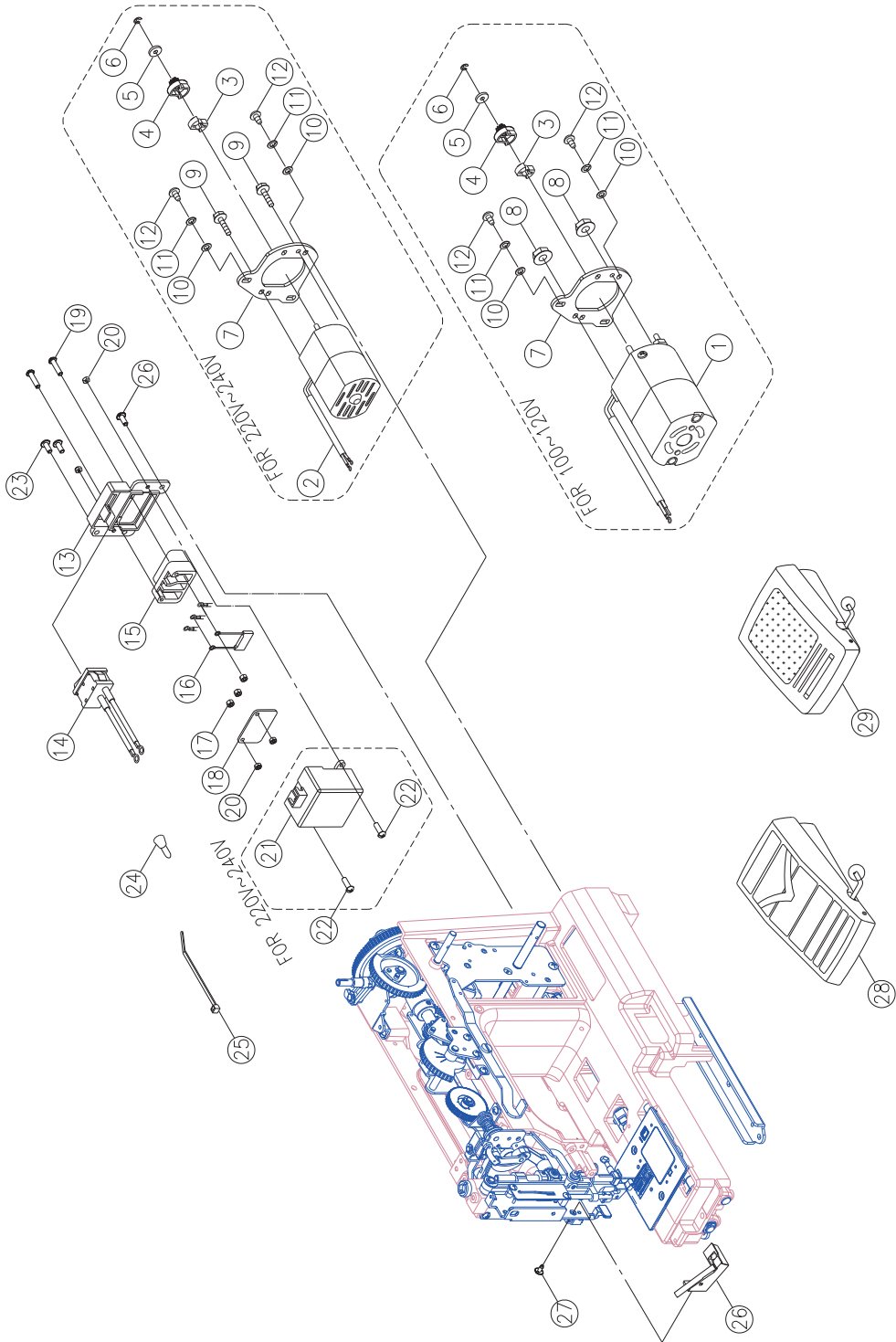


Pos	Part No.	Description
1	416731301	LOWER SHAFT
2	270 H1A1503000	FEED ROCK CAM
3	416122401	SET SCREW (M4×4 C)
4	416197201	LOWER SHAFT GEAR
5	416121001	SET SCREW ( M4×5 C )
6	416191401	LOWER SHAFT SPRING
7	416191201	FEED LIFTING ROCK CAM
8	416520801	LOWER SHAFT COLLAR
9	416125801	ENDURE ATTRITION WASHER
10	416141701	LOWER SHAFT BUSHING
11	416186501	WASHER ( 8.2×12×0.5 )
12	416116401	E-RING ( ETW-6 )
13	270 P3A0433003	FEED LIFTING ROCK COM PIN
14	270 H1A0463000	LOWER SHAFT BELT PULLEY
15	270 004250203	SET SCREW(M5×5 C)
16	416549701	C-RING(φ7.9 ×φ11.9 × T 1.9 )
17	270 H1A0383006	ROTARY HOOK HOLDER
18	416143601	SHUTTLE HOOK COVER
19	416119501	SET SCREW ( M3×12 )
20	416119501	ROTARY HOOK HOLDER POSITIONED PLATE
21	416121201	SET SCREW ( M4×6 B )
22	416143401	ROTARY HOOK SUPPORTER
23	416121501	SET SCREW ( M4×8 A )
24	270 004240586	SET SCREW ( M4×8 )
25	416479801	SHUTTLE HOOK HOLDER
26	416155701	BOBBIN SHAFT WASHER (3)
27	416125901	ENDURE ATTRITION WASHER
28	416155601	BOBBIN SHAFT WASHER (2)
29	416145401	BOBBIN SHAFT
30	416155801	BOBBIN SHAFT OIL CLOTH
31	416404601	FELT SEAL (φ12.7 ×φ18.7 × T 3.5)
32	416549801	FELT SEAL (φ7.5 ×φ13.5 × T 3.5)
33	416467101	ROTARY HOOK HOLDER COMPLETE
34	416122101	SET SCREW(M4×6 C)



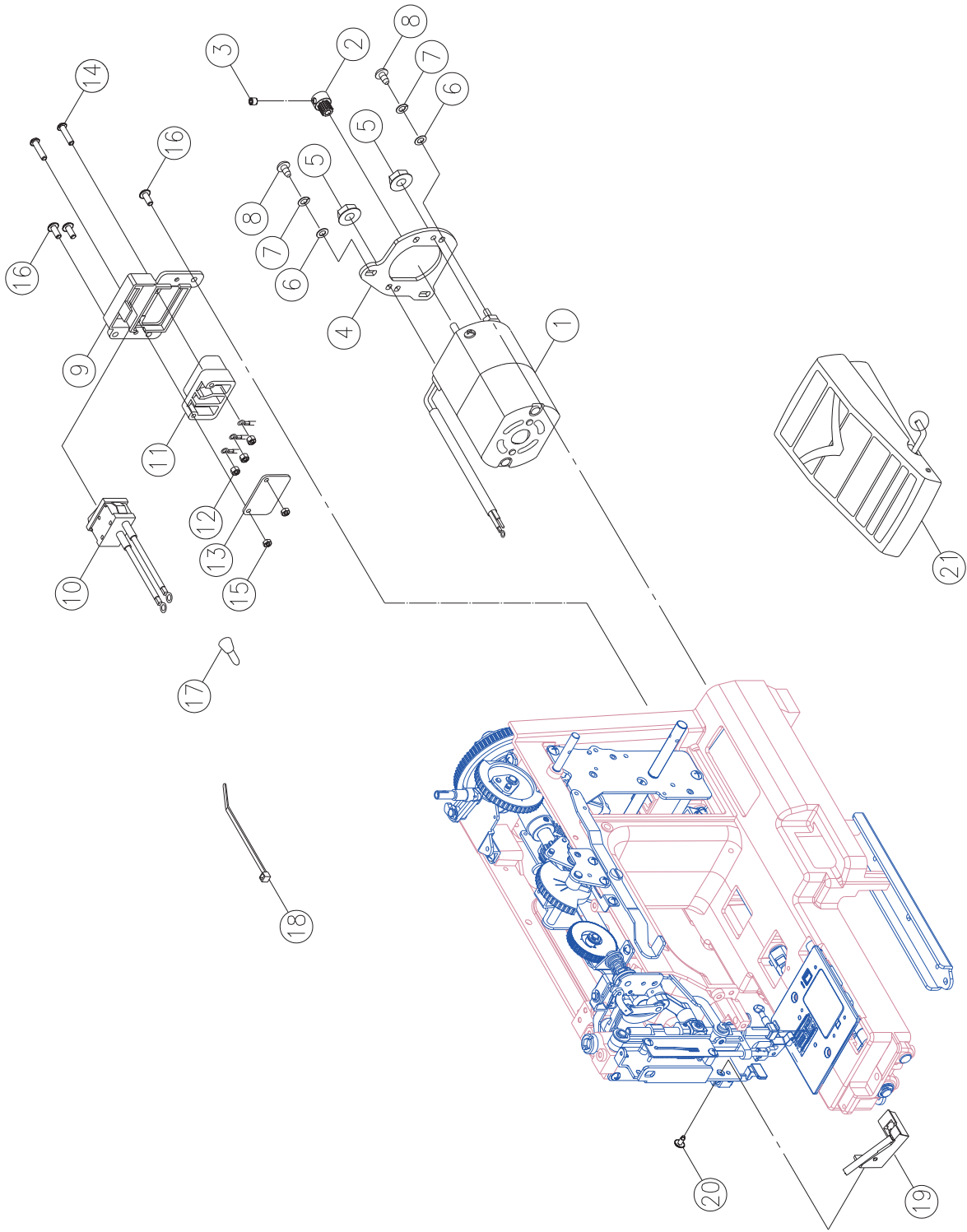


Pos	Part No.	Description	
1	416739701	NEEDLE POSITION PLATE (FRONT)	
2	416117501	SPRING PIN ( $\phi$ 3×10)	
3	416550001	NEEDLE POSITION CRANK SHAFT	
4	416550101	TUBE	
5	416550201	ZIGZAG WIDTH CRANK	
6	270 H10723003	TENSION LEVER LIFTER SPRING	
7	416550301	NEEDLE POSITION ADJUSTMENT CRANK	
8	416185501	SET SCREW(M4×9)	
9	416126801	SET NUT (ALN-4)	
10	416116401	E-RING (ETW-6)	
11	270 VZ50263003	NEEDLE POSITION CRANK	
12	270 VZ50273002	ZIGZAG WIDTH REGULATING CAM BOX	
13	270 004300713	WASHER( $\phi$ 5.2× $\phi$ 10×0.2)	
14	416116101	E-RING (ETW-4)	
15	416186501	WASHER( $\phi$ 8.2× $\phi$ 12×0.5)	
16	416550401	AMPLITUDE CRANK	
17	416119201	SET SCREW (M4×6 A)	
18	416550501	NEEDLE POSITION BUTTON SHAFT	
19	416467201	NEEDLE POSITION BUTTON	FOR 4411/5511/4423/5523/5554/44S/4432
19	416739801	NEEDLE POSITION BUTTON	FOR 5532
20	416186901	WASHER( $\phi$ 6.4× $\phi$ 11×0.15)	
21	416550601	NEEDLE POSITION CAM	
22	270 003010056	E-RING (ETW-5)	
23	416550701	NEEDLE POSITION PLATE (BACK)	
24	416121201	SET SCREW(M4×6 B)	
25	416550801	NEEDLE POSITION PLATE	
26	416550901	ROD	
27	416116001	E-RING(ETW-3)	
28	416550901	BOBBIN WINDER FRAME PLATE COMPLETE	
29	416700601	BOBBIN WINDER CRANK COMPLETE	
30	416116301	E-RING (ETW-5)	
31	270 K6A0573003	BOBBIN WINDER CRANK SPRING	
32	416186901	WASHER( $\phi$ 6.4× $\phi$ 11×1×0.15)	
33	416467301	ZIGZAG WIDTH DIAL	FOR 4411/5511/4423/5523/5554/44S/4432
33	416731401	ZIGZAG WIDTH DIAL	FOR 5532
34	416551101	ZIGZAG REGULATOR CRANK	
35	270 003010046	E-RING (ETW-4)	
36	416121501	SET SCREW (M4×8 A)	
37	416551201	ZIGZAG WIDTH ADJUSTMENT ROD	
38	416551301	REVERSE LEVER	
39	416551401	REVERSE ROD	
40	416155001	AUTO THREADED LEVER SPRING	
41	416185601	SET SCREW (M4×4.5)	
42	416467401	REVERSE BUTTON	FOR 4411/5511/4423/5523/5554/44S/4432
42	416731501	REVERSE BUTTON	FOR 5532
43	416551501	NEEDLE POSITION SPRING	

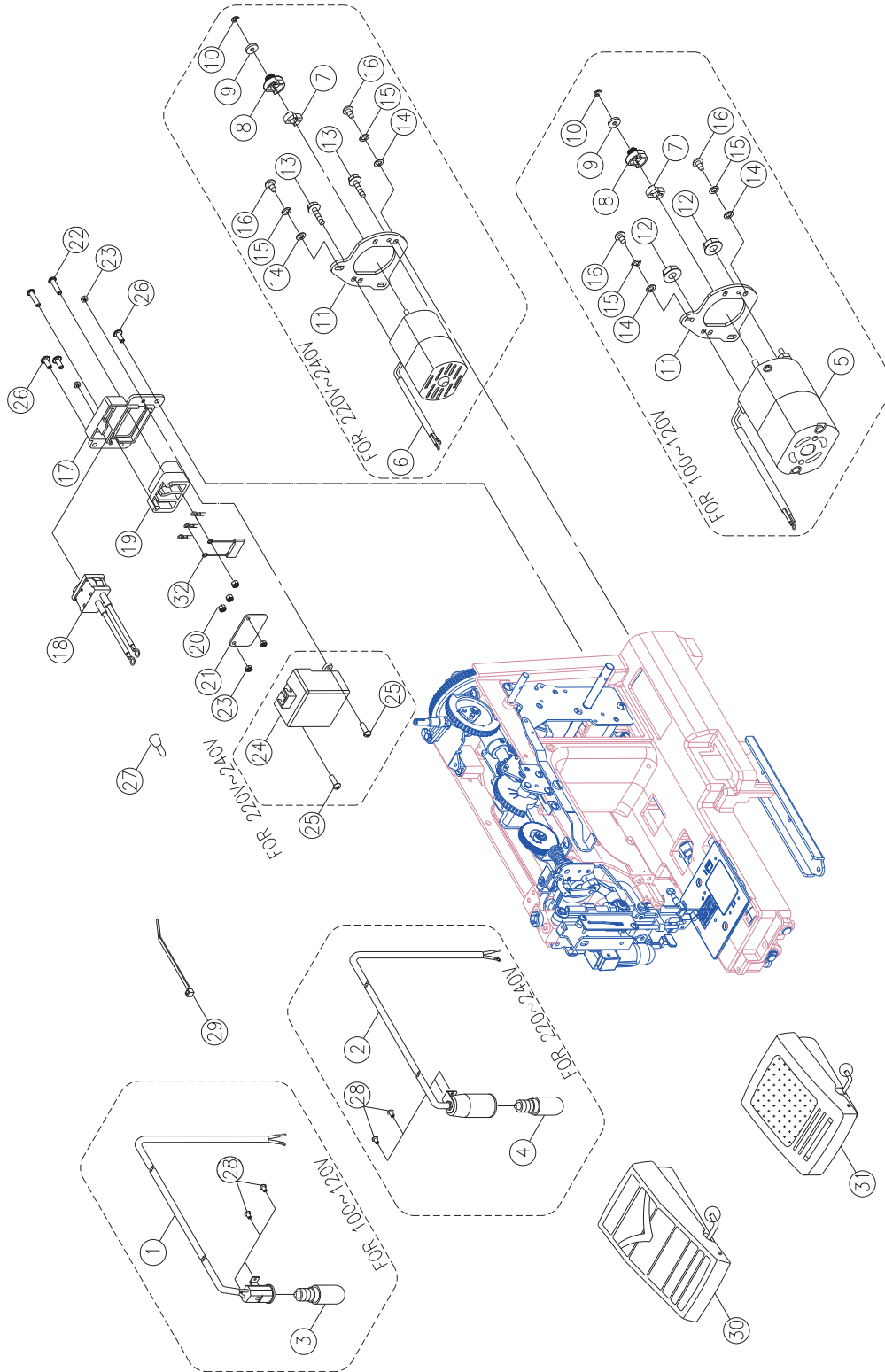


ALL VOLTAGE APPLICATION & SPEC., PLEASE CHECK NEXT PAGE.

Pos	Part No.	Description
1	416731601	MOTOR COMPLETE (HF-09150) FOR 110V / TAIWAN
1	416593001	MOTOR COMPLETE (HF-09150) FOR 120V / US
1	416734001	MOTOR COMPLETE (HF-09150) FOR 120V / BRAZIL
2	416734101	MOTOR COMPLETE (HF-09250) FOR 220V / BRAZIL
2	416731701	MOTOR COMPLETE (HF-09250) FOR 220V / SHANGHAI
2	416731801	MOTOR COMPLETE (HF-09250) FOR 220V / KOREA
2	416467901	MOTOR COMPLETE (HF-09250) FOR 230V / E.U.R
2	416731901	MOTOR COMPLETE (HF-09250) FOR 230V / DUBAI
2	416732001	MOTOR COMPLETE (HF-09250) FOR 230V / SAUDI ARABIA
2	416732101	MOTOR COMPLETE (HF-09250) FOR 240V / U.K
2	416732201	MOTOR COMPLETE (HF-09250) FOR 240V / SAA
3	416129401	CUSHION RUBBER
4	416468001	BELT WHEEL
5	416114001	MOTOR FEED REGULATOR COLLAR
6	416116001	E-RING (ETW-3)
7	416603701	MOTOR BRACKET
8	270 004840131	NUT (M4 T=5.5) FOR 120V
9	416521501	SET SCREW (M4×10.2) FOR 230V
10	416124301	WASHER (5.4×10×0.9)
11	416126201	SPRING WASHER (5.2×9×1)
12	416224801	SET SCREW (M5×12)
13	416732301	RECEPTACLE HOLDER
14	416115001	SWITCH ASS'Y
15	416184701	RECEPTACLE
16	416732401	CONDENSER FOR 220V~240V.
17	270 004840120	NUT (M3×4)
18	416183601	CONCERT INSULATION PLATE
19	416183601	SET SCREW (M3×20 B)
20	416302901	NUT (M3 T=2.3)
21	270 002248129	RECEPTACLE HOLDER COVER FOR 220V~240V
22	416119701	SET SCREW (M3×8 B) FOR 220V~240V
23	416185401	SET SCREW (M4×10 A)
24	416133001	END TERMED
25	416113901	CORD CLIP
26	416732501	LED HOLDER COMPLETE FOR 120V
26	416732601	LED HOLDER COMPLETE FOR 220V~240V
27	416686701	SET SCREW (M3X5)
28	416732701	FOOT CONTROLLER (FC-1902A) FOR 120V /US
28	416734301	FOOT CONTROLLER (FC-1902A) FOR 120V / BRAZIL
29	416734401	FOOT CONTROLLER (FC-2902A) FOR 220V / BRAZIL
29	416732801	FOOT CONTROLLER (FC-2902A) FOR 220V / SHANGHAI
29	416732901	FOOT CONTROLLER (FC-2902A) FOR 220V / KOREA
29	416468201	FOOT CONTROLLER (FC-2902A) FOR 230V /E.U.R(20100519)
29	416733001	FOOT CONTROLLER (FC-2902A) FOR 230V / DUBAI
29	416733101	FOOT CONTROLLER (FC-2902A) FOR 230V / ARGENTINA
29	416733201	FOOT CONTROLLER (FC-2902A) FOR 230V /
29	416733301	FOOT CONTROLLER (FC-2902A) FOR 230V / SAUDI ARABIA
29	416733401	FOOT CONTROLLER (FC-2902A) FOR 240V / U.K
29	416733501	FOOT CONTROLLER (FC-2902A) FOR 240V / SAA

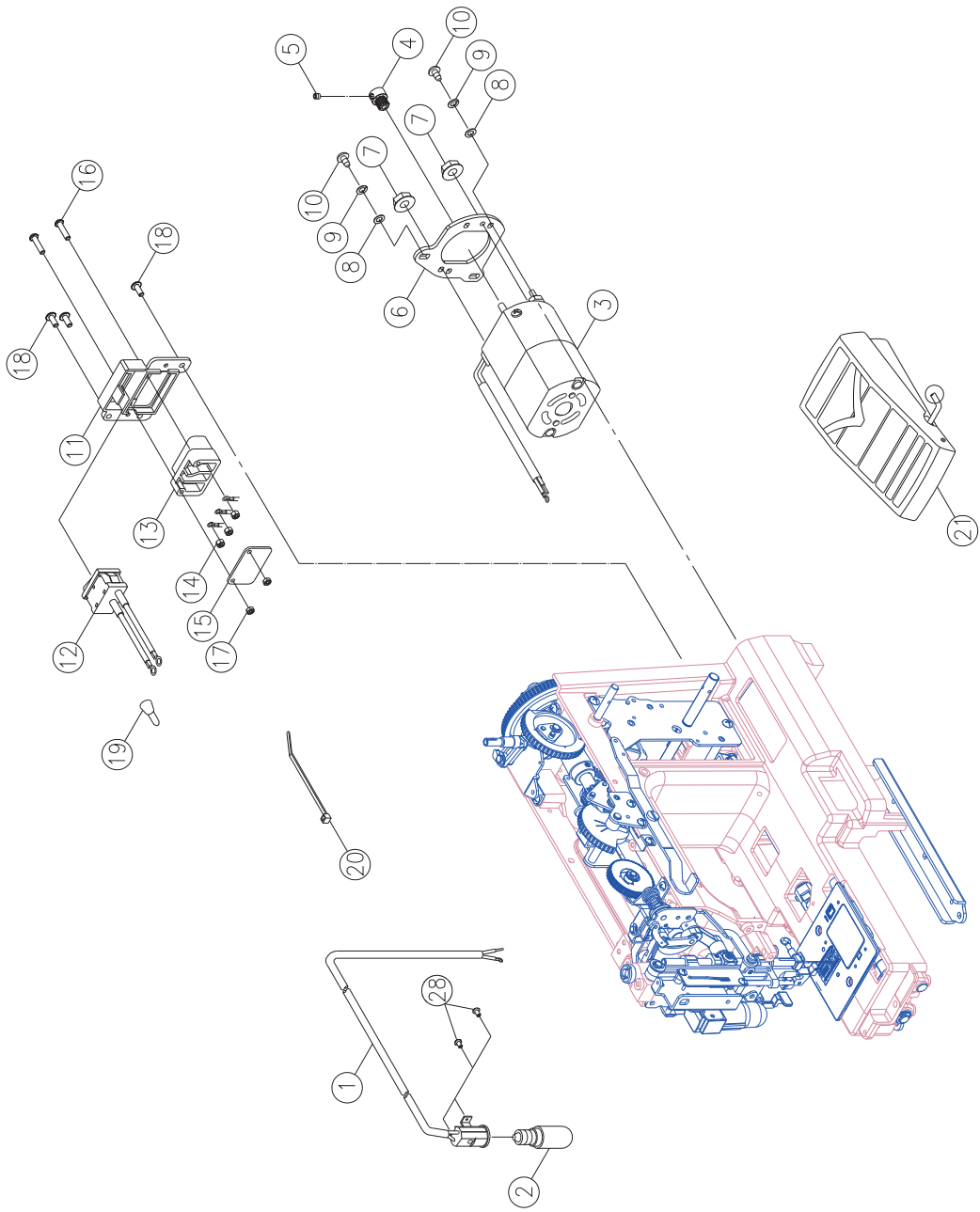


Pos	Part No.	Description
1	416593001	MOTOR COMPLETE (KM-6390U) FOR 120V / US
2	416115901	BELT WHEEL
3	416122401	SET SCREW (M4×4 C)
4	416603701	MOTOR BRACKET
5	270 004840131	NUT (M4 T=5.5)
6	416124301	WASHER (5.4×10×0.9)
7	416126201	SPRING WASHER (5.2×9×1)
8	416224801	SET SCREW (M5×12)
9	416428801	RECEPTACLE HOLDER
10	416115001	SWITCH ASS'Y
11	416184701	RECEPTACLE
12	270 004840120	NUT (M3×4)
13	416183601	CONCERT INSULATION PLATE
14	416183601	SET SCREW (M3×20 B)
15	416302901	NUT (M3 T=2.3)
16	416185401	SET SCREW (M4×10 A)
17	416133001	END TERMED
18	416113901	CORD CLIP
19	416732501	LED HOLDER COMPLETE FOR 120V /US
20	416686701	SET SCREW (M3X5)
21	416586501	FOOT CONTROLLER (4C-316Q) FOR 120V /US



ALL VOLTAGE APPLICATION & SPEC. PLEASE CHECK NEXT PAGE.

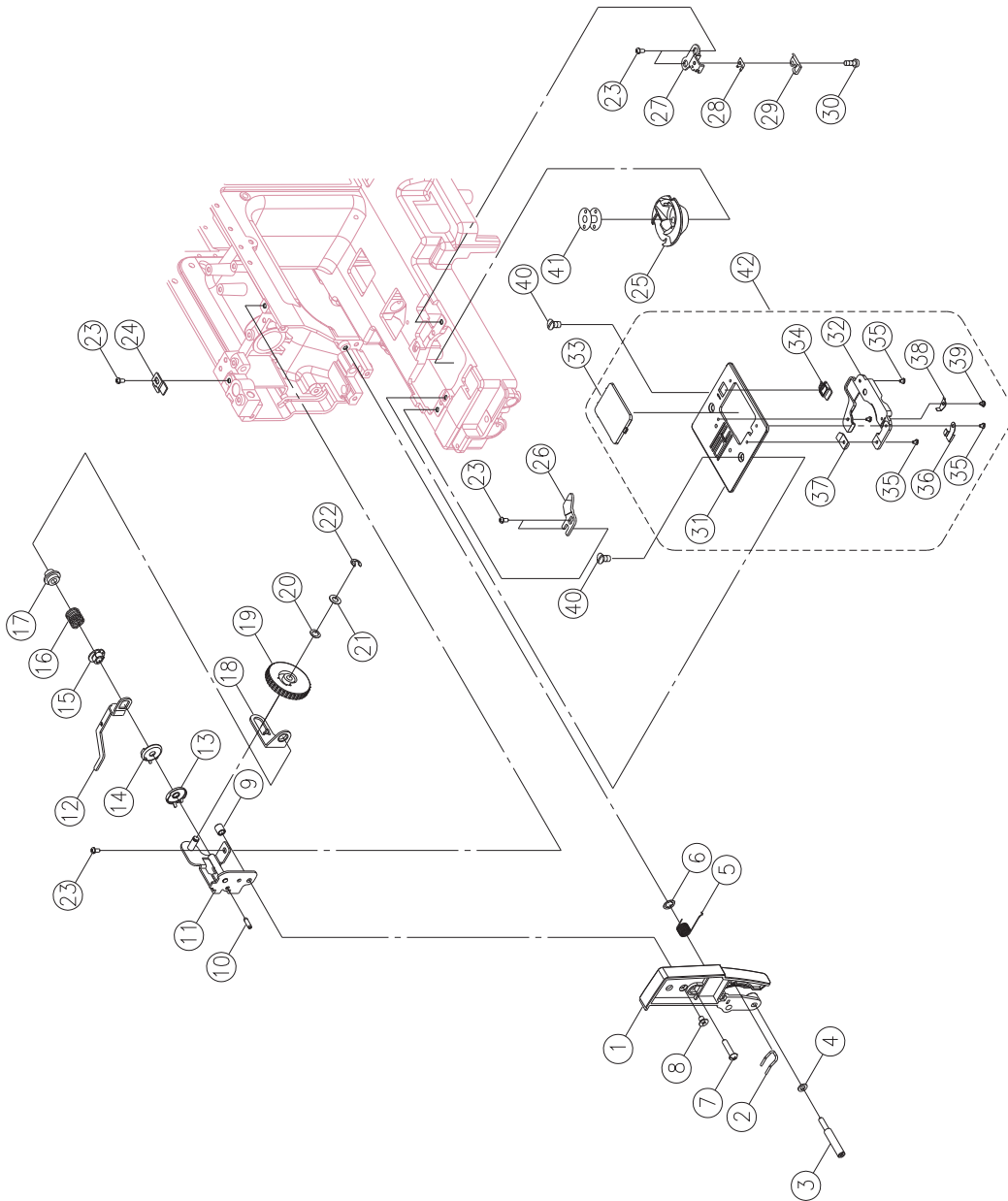
Pos	Part No.	Description	
1	416467601	LAMP HOLDER	FOR 100V / JAPAN
2	416467501	LAMP HOLDER	FOR 120V~240V / BRAZIL
3	416733601	LAMP (15W)	FOR 100V
3	416733701	LAMP (15W)	FOR 120V / BRAZIL
4	416733801	LAMP (15W)	FOR 220V / BRAZIL
5	416733901	MOTOR COMPLETE (HFC-09160)	FOR 100V / JAPAN
5	416734001	MOTOR COMPLETE (HF-09150)	FOR 120V / BRAZIL
6	416734101	MOTOR COMPLETE (HF-09250)	FOR 220V / BRAZIL
7	416129401	CUSHION RUBBER	
8	416468001	BELT WHEEL	
9	416114001	MOTOR FEED REGULATOR COLLAR	
10	416116001	E-RING (ETW-3)	
11	416603701	MOTOR BRACKET	
12	270 004840131	NUT (M4 T=5.5)	FOR 120V
13	416521501	SET SCREW (M4×10.2)	FOR 230V
14	416124301	WASHER (5.4×10×0.9)	
15	416126201	SPRING WASHER (5.2×9×1)	
16	416224801	SET SCREW (M5×12)	
17	416732301	RECEPTACLE HOLDER	
18	416115001	SWITCH ASS'Y	
19	416184701	RECEPTACLE	
20	270 004840120	NUT (M3×4)	
21	416183601	CONCERT INSULATION PLATE	
22	416183601	SET SCREW (M3×20 B)	
23	416302901	NUT (M3 T=2.3)	
24	270 002248129	RECEPTACLE HOLDER COVER	FOR 220V/ BRAZIL
25	416119701	SET SCREW (M3×8 B)	FOR 220V/ BRAZIL
26	416185401	SET SCREW (M4×10 A)	
27	416133001	END TERMED	
28	270 004230056	SET SCREW (M3×5 B)	
29	416113901	CORD CLIP	
30	416734201	FOOT CONTROLLER (4C-315A)	FOR 100V / JAPAN
30	416734301	FOOT CONTROLLER (FC-1902A)	FOR 120V / BRAZIL
31	416734401	FOOT CONTROLLER (FC-2902A)	FOR 220V / BRAZIL
32	416732401	CONDENSER	FOR 220V / BRAZIL





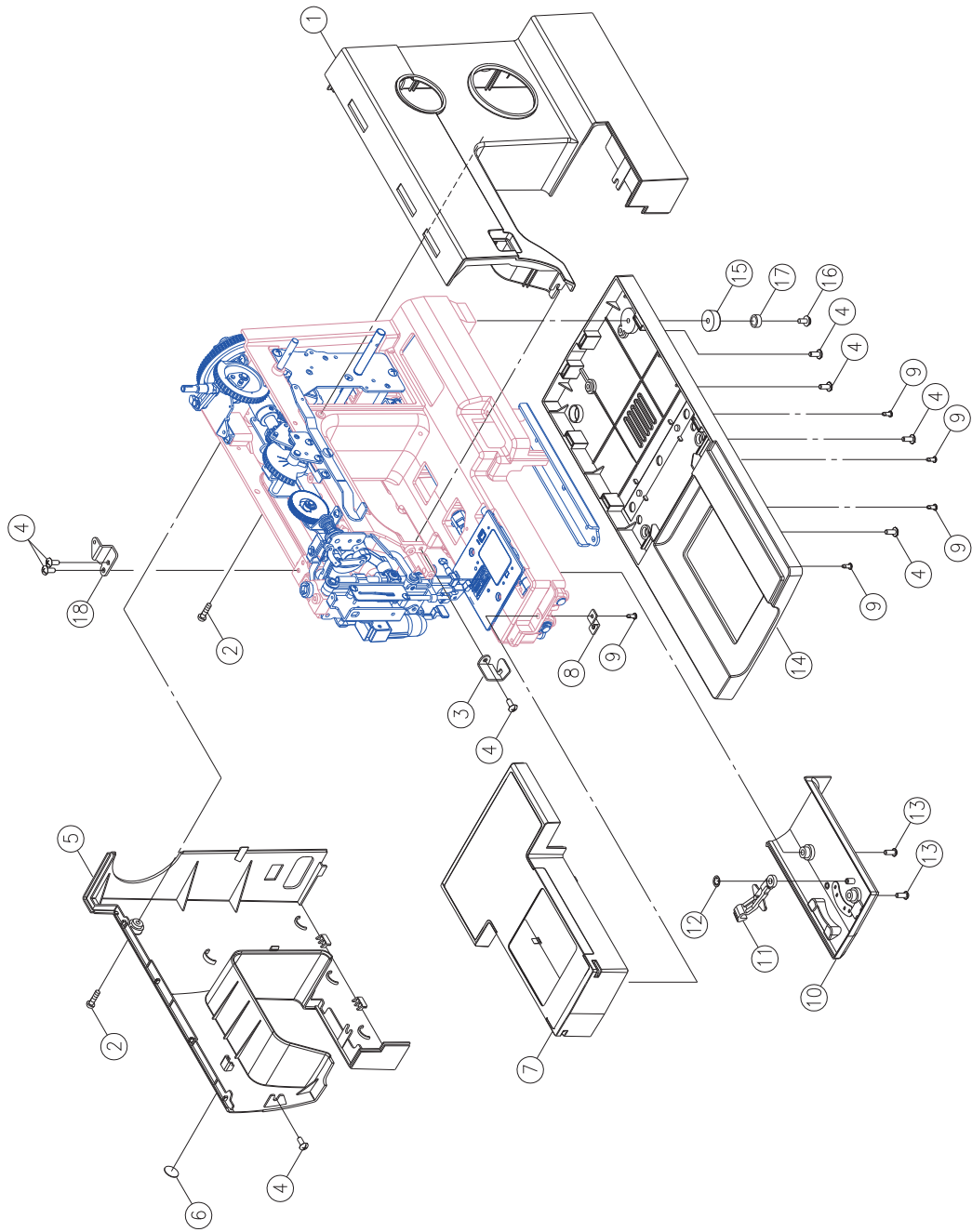
Pos	Part No.	Description	
1	416467601	LAMP HOLDER COMPLETE	
2	416733601	LAMP (15W)	FOR 100V / JAPAN
3	416734501	MOTOR COMPLETE (3M-903E)	FOR 100V / JAPAN
4	416115901	BELT WHEEL	
5	416122401	SET SCREW (M4×4 C)	
6	416603701	MOTOR BRACKET	
7	270 004840131	NUT (M4 T=5.5)	
8	416124301	WASHER (5.4×10×0.9)	
9	416126201	SPRING WASHER (5.2×9×1)	
10	416224801	SET SCREW (M5×12)	
11	416428801	RECEPTACLE HOLDER	
12	416115001	SWITCH ASS'Y	
13	416184701	RECEPTACLE	
14	270 004840120	NUT (M3×4)	
15	416183601	CONCERT INSULATION PLATE	
16	416183601	SET SCREW (M3×20 B)	
17	416302901	NUT (M3 T=2.3)	
18	416185401	SET SCREW (M4×10 A)	
19	416133001	END TERMED	
20	270 004230056	SET SCREW (M3×5 B)	
21	416113901	CORD CLIP	
22	416734601	FOOT CONTROLLER (4C-315A)	FOR 100V / JAPAN

# M

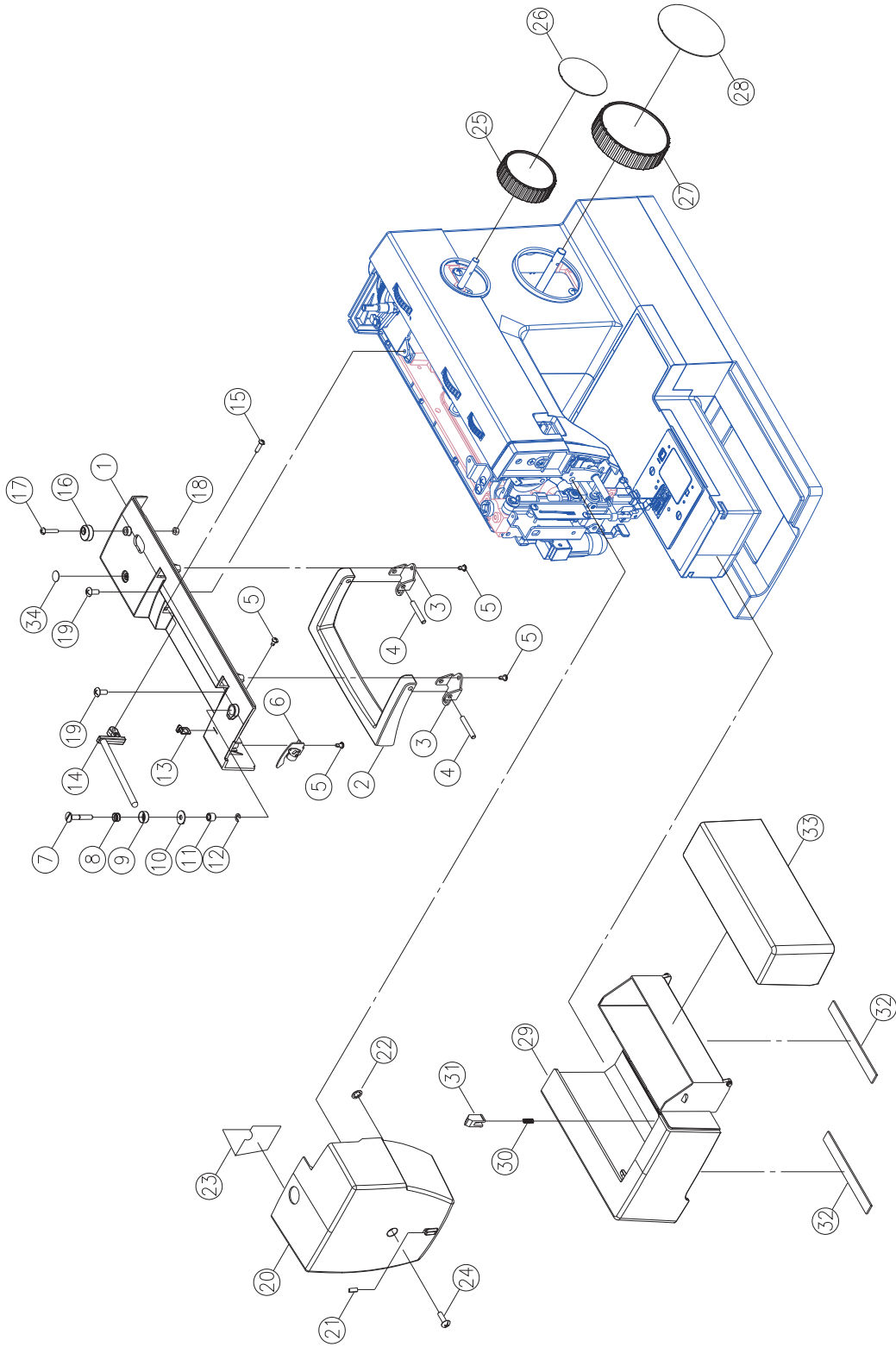


Pos	Part No.	Description	
1	416734701	DIAL TENSION SUPPORTER PLATE COVER	FOR 4432
1	416468301	DIAL TENSION SUPPORTER PLATE COVER	FOR 4423
1	416471901	DIAL TENSION SUPPORTER PLATE COVER	FOR 4411/5523/5554/44S
1	416734801	DIAL TENSION SUPPORTER PLATE COVER	FOR 5511
1	416734901	DIAL TENSION SUPPORTER PLATE COVER	FOR 5532
2	416198701	THREAD GUIDE	
3	270 004241412	SET SCREW (M4×0.7 L42)	
4	416124101	WASHER (4.2×8×0.8)	
5	270 V60303000	DIAL TENSION SPRING	
6	416116701	CS-RING (CSTW-5)	
7	416121701	SET SCREW (M4×15 B)	
8	416121901	SET SCREW (M4×6)	
9	416121901	DIAL TENSION GUIDE SPRING TUBE	
10	416117501	HAND WHEEL BUSHING PIN (3×10)	
11	416735001	DIAL TENSION SUPPORTER PLATE COMPLETE	
12	416735101	DIAL TENSION WAFT PLATE	
13	416153601	DIAL TENSION DISC (1)	
14	416146301	DIAL TENSION DISC	
15	416526801	DIAL TENSION SPRING REGULATOR	
16	416155901	DIAL TENSION SPRING	
17	416153801	DIAL TENSION REGULATOR	
18	270 V60273006	DIAL TENSION SPRING PLATE	
19	416468401	DIAL TENSION KNOB	FOR 4411/5511/4423/5523/5554/44S
19	416735201	DIAL TENSION KNOB	FOR 5532
20	416126001	WASHER (WW-5)	
21	416124501	WASHER (5.2×10×0.5)	
22	416116101	E-RING(ETW-4)	
23	416121201	SET SCREW(M4×6 B)	
24	416527201	TENSION LEVER REGULATING PLATE	
25	270 Q6A0764000	SHUTTLE HOOK COMPLETE	
26	416144001	ROTARY HOOK PLATE	
27	416143901	ROTARY HOOK PLATE (2)	
28	416143901	ROTARY HOOK PLATE SPRING (2)	
29	416143901	ROTARY HOOK PLATE SPRING (1)	
30	416119001	SET SCREW (M2×2.5)	
31	416735301	NEEDLE PLATE	
32	416735401	NEEDLE PLATE SUPPORTER	
33	416428301	NEEDLE PLATE COVER	
34	416155201	NEEDLE PLATE COVER OPEN	
35	416679801	SET SCREW (M2×3)	
36	416147501	NEEDLE PLATE SPRING	
37	416315001	NEEDLE PLATE COVER PLATE	
38	416315101	NEEDLE PLATE COVER SPRING	
39	270 004225106	SET SCREW(M2.5×3)	
40	416122901	SET SCREW (M4×6)	
41	270 006084009	BOBBIN	FOR PLASTIC
41	416735501	BOBBIN	
42	416786701	NEEDLE PLATE COMPLETE	

FOR IRON

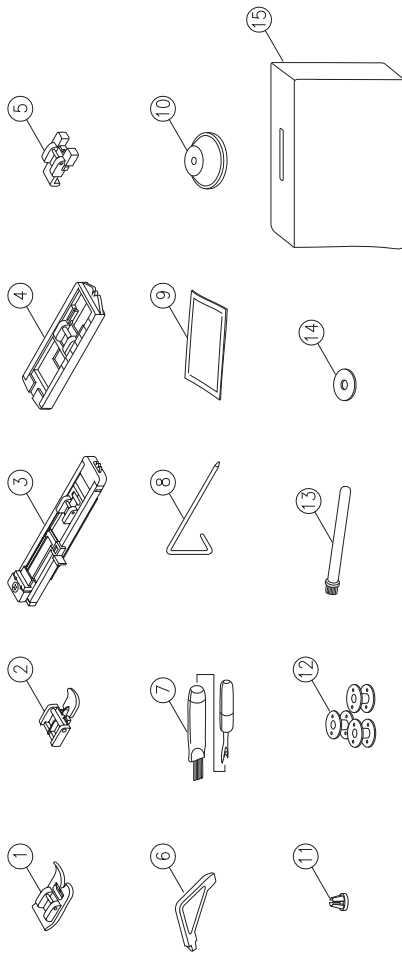


Pos	Part No.	Description	
1	416735601	FRONT COVER	FOR 4432
1	416735701	FRONT COVER	FOR 4411/4423
1	416468501	FRONT COVER	FOR 4411/4423/5554
1	416735801	FRONT COVER	FOR 44S
1	416552501	FRONT COVER	FOR 5511/5523
1	416735901	FRONT COVER	FOR 5523
1	416736001	FRONT COVER	FOR 5511/5523
1	416736101	FRONT COVER	FOR 5532
1		FRONT COVER	FOR NON-TRIMMING DIAL
2	416122201	SET SCREW (M4×10 B)	
3	416145101	ARM TOP COVER THREAD GUIDE PLATE	
4	416121501	SET SCREW (M4×8 A)	
5	416736201	BACK COVER	FOR 4432
5	416468701	BACK COVER	FOR 4411/4423/5554
5	416552901	BACK COVER	FOR 5523/44S
5	416736301	BACK COVER	FOR 5511
5	416736401	BACK COVER	FOR 5532
6	416736501	PLATE (1)	FOR 4432
6	416468801	PLATE (1)	FOR 4411/4423/5554
6	416552601	PLATE (1)	FOR 5523/44S
6	270 V61503210	PLATE (1)	FOR 5511
6	416736601	PLATE (1)	FOR 5532
7	416736701	FREE ARM SLAB (ABOVE /BELOW) COMPLETE	FOR 4432
7	416468901	FREE ARM SLAB (ABOVE /BELOW) COMPLETE	FOR 4411/4423/5554
7	416736801	FREE ARM SLAB (ABOVE /BELOW) COMPLETE	FOR 44S
7	416552701	FREE ARM SLAB (ABOVE /BELOW) COMPLETE	FOR 5511/5523
7	416736901	FREE ARM SLAB (ABOVE /BELOW) COMPLETE	FOR 5532
8	416552801	BRACKET	
9	270 004230216	SET SCREW(M3×8.5)	
10	416737001	FREE ARM BASE	FOR 4432
10	416737101	FREE ARM BASE	FOR 4411/4423/5554
10	416737201	FREE ARM BASE	FOR 44S
10	416553001	FREE ARM BASE	FOR 5511/5523
10	416737301	FREE ARM BASE	FOR 5532
11	416737401	TOOTH LEVER ARM	FOR 4411/4423/5554/44S
11	416553101	TOOTH LEVER ARM	FOR 5511/5523
11	416737501	TOOTH LEVER ARM	FOR 4432
11	416737601	TOOTH LEVER ARM	FOR 416
12	416116801	CS-RING (CSTW-4.5)	
13	416121601	SET SCREW (M4×12 B)	
14	416553201	BASE COVER	FOR 5511/5523
14	416469001	BASE COVER	FOR 4411/4423/4432/5554/44S
14	416739901	BASE COVER	FOR 5532
15	270 F31103000	FREE ARM BASE CUSHION RUBBER	
16	270 004240586	SET SCREW(M4×8)	
17	416542201	SPACER	
18	416552301	ARM TOP COVER BRACKET	

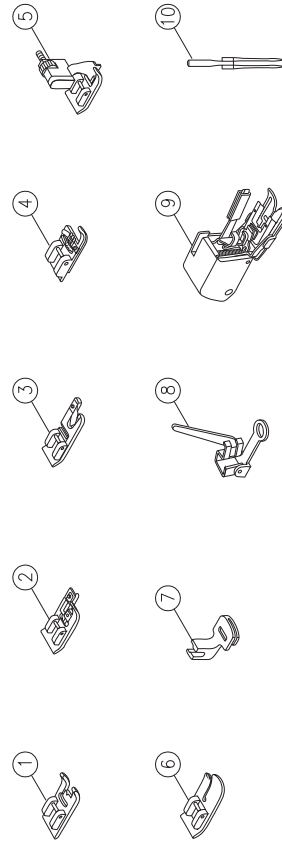


Pos	Part No.	Description	
1	416737701	ARM TOP COVER	FOR 4432
1	416469101	ARM TOP COVER	FOR 4423
1	416553301	ARM TOP COVER	FOR 4411/5523/5554/44S
1	416737801	ARM TOP COVER	FOR 5511
1	416737901	ARM TOP COVER	FOR 5532
2	416738001	HANDLE	FOR 4432
2	416469201	HANDLE	FOR 4423
2	416738101	HANDLE	FOR 4411/5523/5554/44S
2	416738201	HANDLE	FOR 5511
2	416738301	HANDLE	FOR 5532
3	416469301	HANDLE BRACKET	
4	416469401	PIN	
5	270 004230216	SET SCREW ( M3×8.5 )	
6	416469501	THREAD GUIDE COMPLETE	
7	416148101	BOBBIN WINDER THREAD GUIDE ADJUSTING	
8	416148101	BOBBIN WINDER THREAD GUIDE SPRING	
9	416148101	BOBBIN WINDER SPRING DISC	
10	416148101	BOBBIN WINDER THREAD GUIDE	
11	416148101	SPACER	
12	416116001	E-RING ( ETW-3 )	
13	416145501	THREAD GUIDE	
14	416738401	SPOOL PIN BASE	FOR 4432
14	416469701	SPOOL PIN BASE	FOR 4423
14	416472001	SPOOL PIN BASE	FOR 4411/5523/5554/44S
14	416169501	SPOOL PIN BASE	FOR 5511
14	416738501	SPOOL PIN BASE	FOR 5532
15	416554001	SET SCREW (M3×12 B)	
16	270 K6B0393000	BOBBIN WINDER	
17	416174001	SET SCREW (9/64×40×16)	
18	416126301	NUT (9/64×40 T=3)	
19	416121501	SET SCREW (M4×8 A)	
20		FACE PLATE	WITHOUT HOLE FOR REGULATING
20	416738601	FACE PLATE	FOR 4432
20	416469901	FACE PLATE	FOR 4423
20	416472101	FACE PLATE	FOR 4411/5523/5554/44S
20	416738701	FACE PLATE	FOR 5511
20	416738801	FACE PLATE	FOR 5532
21	416172501	CUTTER	
22	416116701	CS-RING (CSTW-5)	
23	416470001	HEAT RESISTANT PLATE	FOE LAMP
24	270 004240782	SET SCREW (M4×11.5 A)	
25	416470101	STITCH LENGTH DIAL	FOR 4411/4423/5523/5554/44S
25	416738901	STITCH LENGTH DIAL	FOR 5532
26	416739001	STITCH LENGTH DIAL PANEL	FOR 4411/5511
26	416470201	STITCH LENGTH DIAL PANEL	FOR 4423/5523/44S
26	416739101	STITCH LENGTH DIAL PANEL	FOR 5532
26	416739201	STITCH LENGTH DIAL PANEL	FOR 4432/5554
27	416470301	SELECTOR DIAL	FOR 4411/4423/5511/5523/5554/44S
27	416739301	SELECTOR DIAL	FOR 5532
28	416555401	SELECTOR DIAL PANEL	FOR 4411
28	416739401	SELECTOR DIAL PANEL	FOR 5511
28	416470401	SELECTOR DIAL PANEL	FOR 4423/44S
28	416554301	SELECTOR DIAL PANEL	FOR 5523
28	416739501	SELECTOR DIAL PANEL	FOR 5532
28	416739601	SELECTOR DIAL PANEL	FOR 4432/5554
29	416807401	SEWING TABLE BODY 4432	
29	416807501	SEWING TABLE BODY 4411/4423/5554	
29	416807601	SEWING TABLE BODY 44S	
29	416807701	SEWING TABLE BODY 5511/5523	
29	416807801	SEWING TABLE BODY 5532	
30	416424401	SEWING TABLE BODY GUIDE SPRING	
31	416807901	SEWING TABLE BODY GUIDE	
32	416307101	SEWING TABLE BODY FELT	
33	416808001	SEWING TABLE BODY COVER 4432	
33	416808101	SEWING TABLE BODY COVER 4411/4423/5554	
33	416808201	SEWING TABLE BODY COVER 44S	
33	416554401	SEWING TABLE BODY COVER 5511/5523	
33	416808301	SEWING TABLE BODY COVER 5532	

### STANDARD ACCESSORIES



### OPTIONAL ACCESSORIES





Pos	Part No.	Description	
1	416187101	ALL PURPOSE FOOT (C)	
2	416128701	ZIPPER FOOT (I)	
3	270 006Q6A0150	BUTTONHOLE FOOT	FOR 4423/5523/5554/44S/4432/5532
4	416128901	BUTTONHOLE FOOT	FOR 4411/5511
5	416284501	BUTTON SEWING FOOT	
6	270 006093009	L-SCREWDRIVER	
7	416127701	SEAM RIPPER/ BRUSH	
8	416127101	EDGE/ QUILTING GUIDE	
9	416718801	PACK OF NEEDLES	
10	270 R12373210	SPOOL HOLDER (LARGE)	
11	416500801	SPOOL HOLDER (SMALL)	
12	270 006084009	BOBBIN	FOR PLASTIC
12	416735501	BOBBIN	FOR IRON
13	270 R60033210	AUXILIARY SPOOL PIN	
14	416127301	SPOOL PIN FELT	
15	416497601	SOFT COVER	

#### Optional accessories

1	416128001	SATIN STITCH FOOT (A)
2	270 006907008	OVERCASTTING FOOT (E)
3	270 006900008	HEMMER FOOT (K)
4	270 006813008	CORDING FOOT (M)
5	270 006904008	BLIND HEM FOOT (F)
6	416129101	QUILTING/ STRAIGHT STITCH FOOT
7	416284201	GATHERING FOOT
8	416127401	DARNING/ EMBROIDERY FOOT
9	416284301	EVEN FEED FOOT
10	270 006161008	TWIN NEEDLE