

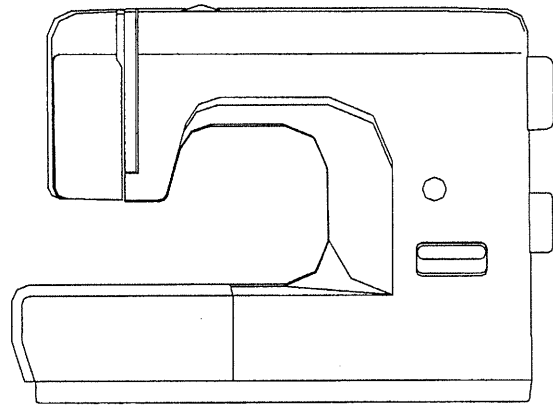
# Parts List

**SINGER<sup>®</sup>**

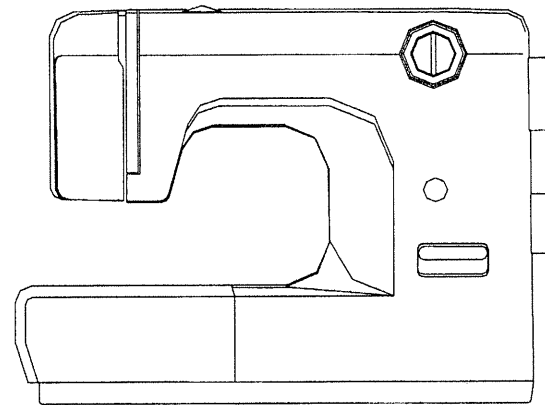
Model 1105/1116/1120/1130

029180008 (1版)

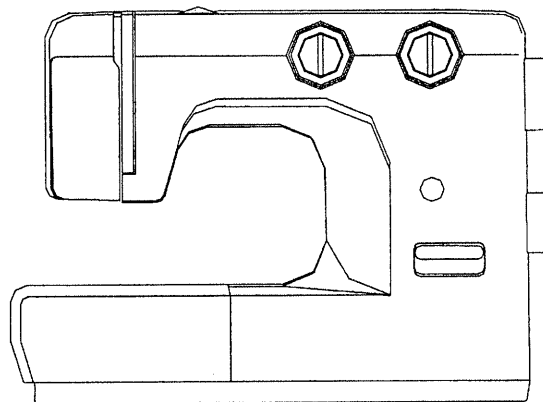
---



MODEL: 1105

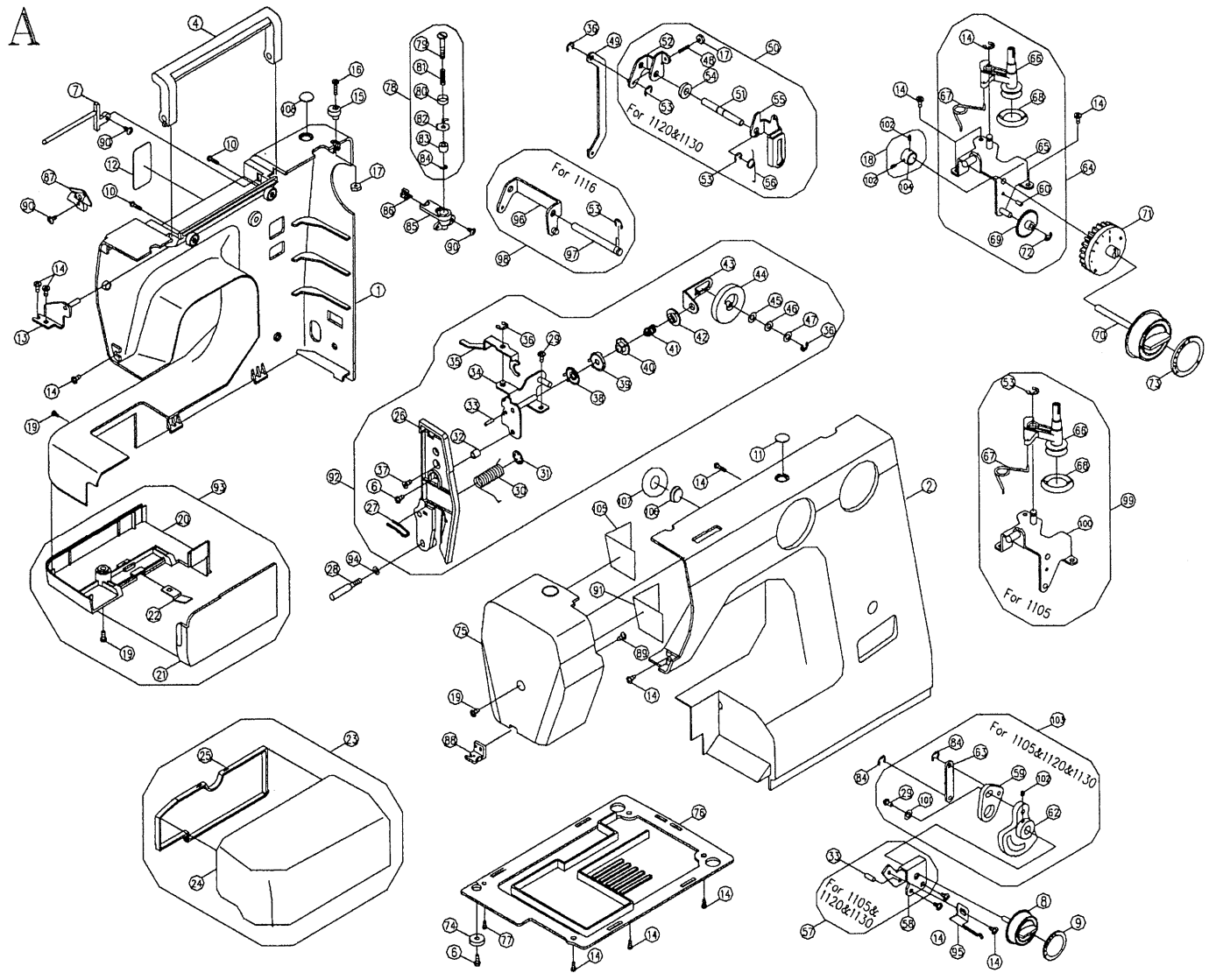


MODEL: 1116



MODEL: 1120/1130

A



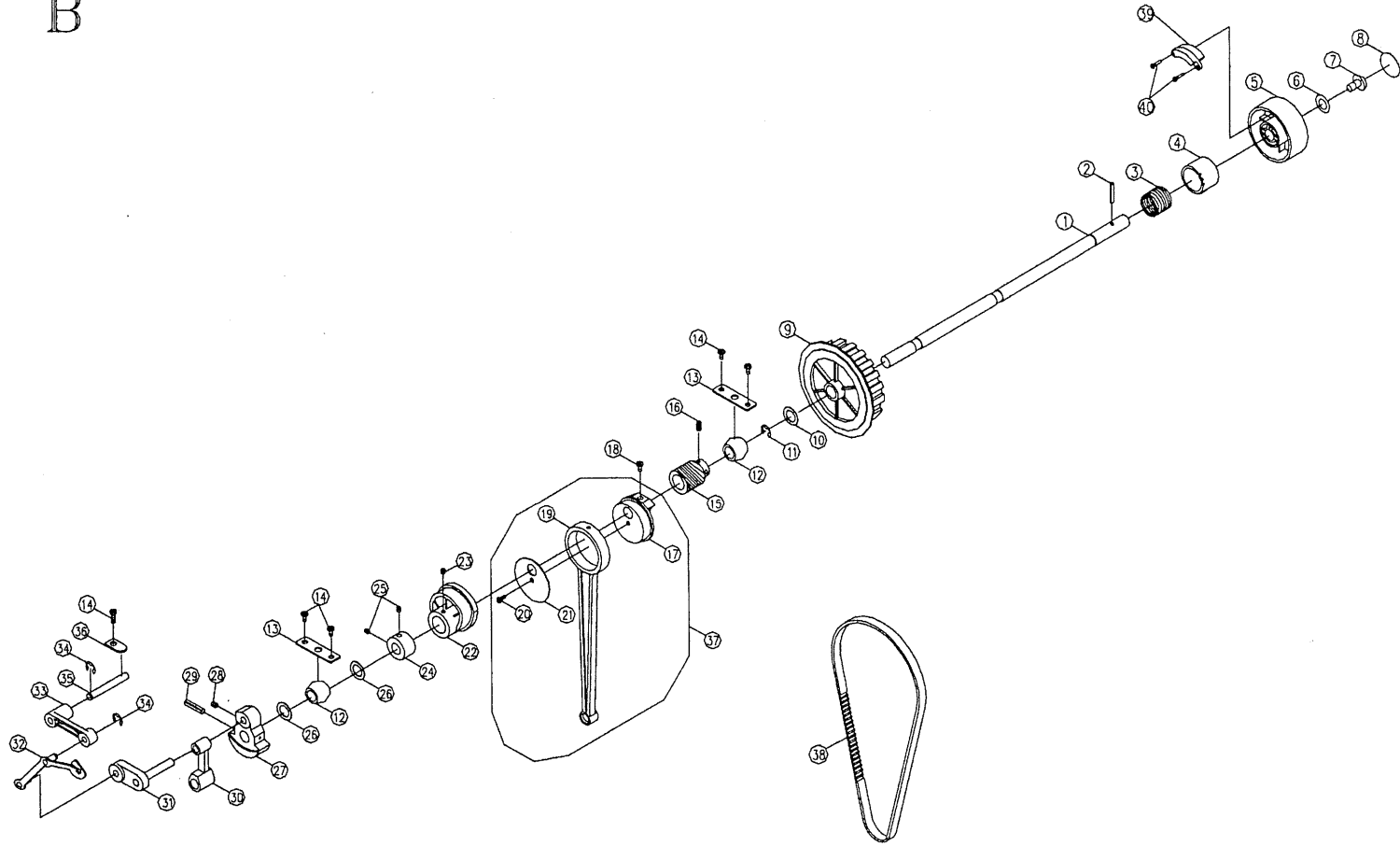
No.	Part No.	Description
1	VG46003210*	Back cover
2	VG40103210	Front cover (MO. 1130)
2	V940083210	Front cover (MO. 1105)
2	V440013210	Front cover (MO. 1116)
2	V540103210	Front cover (MO. 1120)
4	V610243210	Handle
5	004300202	Washer (4.5×10×0.8)
6	004240146	Set screw (M4×15)
7	V610443210	Spool pin base
8	V640093000	Zig zag dial (MO. 1130/1120)
9	VG48783210	Zig zag width dial plate (MO. 1130/1120)
10	004240186	Set screw (M4×15)
11	V61503210	Plate (1)
12	V61523210	Plate (2)
13	V61233006	Handle bracket
14	004240106	Set screw (M4×8)
15	E1A2393000	Bobbin winder stopper
16	004106162	Set screw (9/64×40×15)
17	004706013	Nut (9/64×40 t=3)
18	Z70105000	Shaft collar complete
19	004240046	Set screw (M4×10)
20	V610273210	Bed cover
21	V610283210	Hook cover
22	R12433002	Hook cover spring
23	V610303210	Sewing table complete
24	V610313210	Sewing table body
25	V610323210	Sewing table body cover
26	VG40113210	Dial tension supporter plate cover
27	V61873000	Thread guide
28	004240982	Set screw (M4)
29	004240056	Set screw (M4×6)
30	V60303000	Thread guide spring
31	003020453	Thread guide spring washer (G-4.5)
32	H11103001	Dial tension guide spring tube
33	003043010	Hand wheel bushing pin (φ3×10×0.6)
34	V60243002	Dial tension supporter plate

No.	Part No.	Description
35	V60263003	Dial tension waft plate
36	003010043	E-Ring (ETW-4)
37	004240176	Set screw (M4×6)
38	J30433001	Dial tension disc (2)
39	J30423001	Dial tension disc (1)
40	R10593000	Dial tension spring regulator
41	K50183003	Dial tension spring
42	K50193000	Dial tension regulator
43	V60273006	Dial tension spring plate
44	VG47793210	Dial tension knob
45	004300713	Washer (5.2×10×0.2)
46	004500360	Washer (WW-5)
47	004300643	Washer (5.2×10×0.5)
48	004106053	Set screw (9/64×40×11)
49	V61043003	Red
50	V60984000	Zig zag width regulating cam (MO. 1130/1120)
51	V60993003	Zig zag cam contact supporter shaft
52	V61013003	Zig zag regulator crank
53	003010053	E-Ring (ETW-5)
54	004300493	Washer (φ14×φ6.2×3)
55	V61003003	Zig zag width regulating cam box
56	V61033003	Zig zag width spring
57	V640304000	Zig zag width dial complete (MO. 1130/1120)
58	V640173006	Zig zag width dial plate (MO. 1130/1120/1105)
59	V640153003	Zig zag width crank (MO. 1130/1120/1105)
60	003043008	Spring pin (φ3×0.8×0.6)
60	003043006	Spring pin (φ3×6×0.6)
61	004240782	Set screw (M4×10)
62	V640183003	Zig zag width cam
63	V640273006	Zig zag width crank rod (MO. 1130/1120/1105)
64	V540064000	Bobbin winder frame complete (MO. 1120/1116)
64	V640294000	Bobbin winder frame complete (MO. 1130/1120)
64	V940054000	Bobbin winder frame complete (MO. 1105)
65	V640105006	Bobbin winder frame
65	V940045006	Bobbin winder frame (MO. 1105)
66	V61165000*	Bobbin winder crank complete

No.	Part No.	Description
67	V61563003*	Bobbin winder crank spring
68	F20213000*	Bobbin winder rubber pulley
69	V630193000	Feed regulator gear
70	V640083000	Feed regulator dial
71	V640123000	Feed regulator
72	003010046	E-Ring (ETW-4)
73	VG49943210	Feed regulator dial plate (MO. 1130)
73	V548283210	Feed regulator dial plate (MO. 1120)
74	J31413000	Free arm base felt
75	VG47193210	Face plate
76	V61383323	Plate
77	004230016	Set screw (M3×6)
78	V610195000	Bobbin winder thread guide complete
79	V610213001	Bobbin winder thread guide adjusting screw
80	H13133001	Bobbin winder spring disc
81	H13153001	Bobbin winder thread guide spring
82	V610223001	Bobbin winder thread guide
83	V610233006	Spacer
84	003010056	E-Ring (ETW-3)
85	V610203210	Bobbin winder thread guide base
86	V610363001	Thread guide
87	V610155000	Thread guide complete
88	V640255000	Thread cutter
89	004230215	Set screw (M3×8.5)
90	004230646	Set screw (M3×10)
91	V61403000	Heat resistant plate
92	VG40115210	Dial tension supporter plate complete
93	V610264210	Free arm base complete
94	004300926	Washer (4.1×8×1)
95	V640263003	Needle position plate
96	V70093003	Zig zag regulator crank (MO. 1116)
97	V70103003	Zig zag cam contact supporter shaft
98	V70084000	Zig zag regulator crank complete (MO. 1116)
99	V940054000	Bobbin winder frame complete (MO. 1105)
100	V940045006	Bobbin winder frame (MO. 1105)
101	004300096	Washer (4×8×0.5)

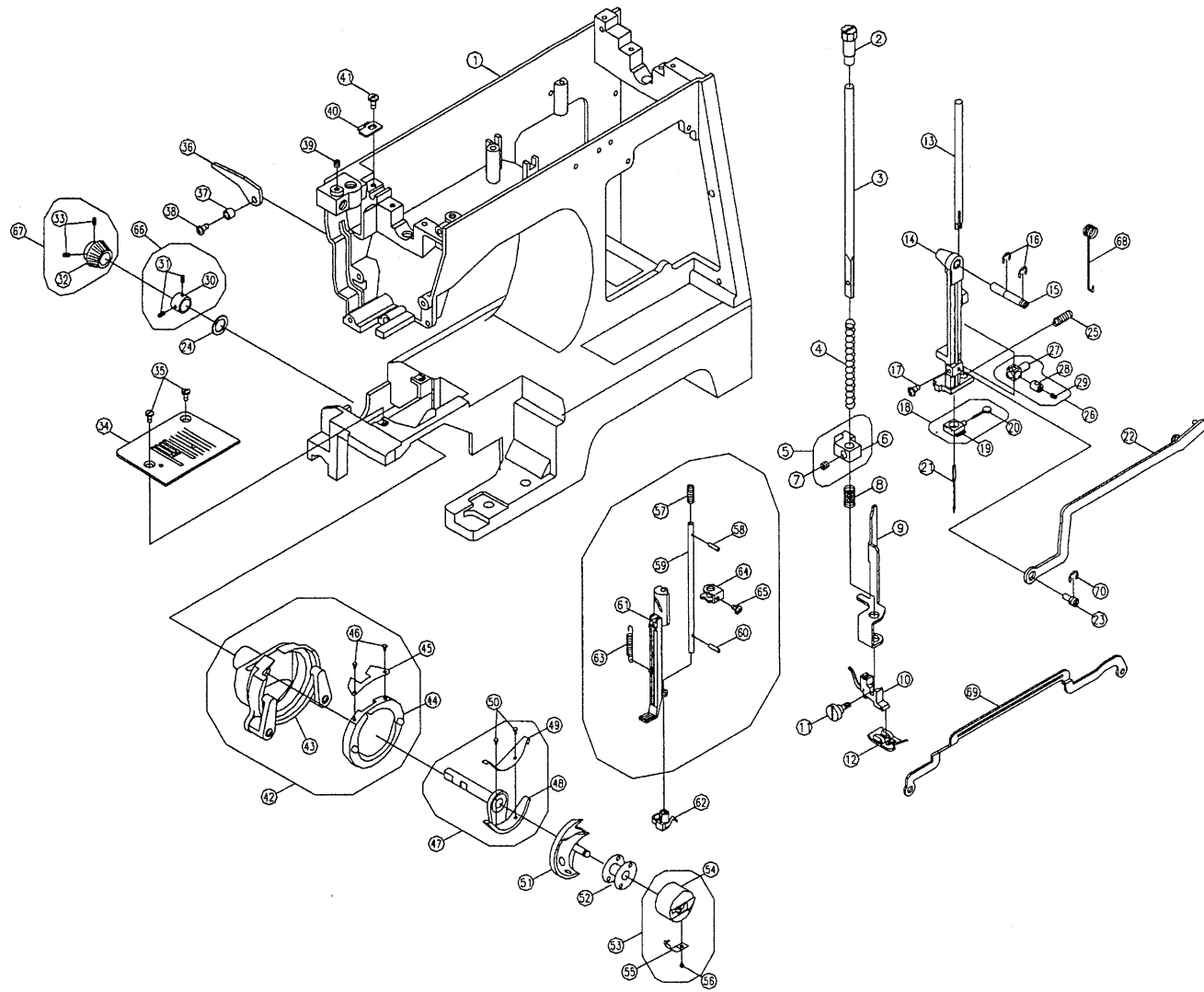


B





C

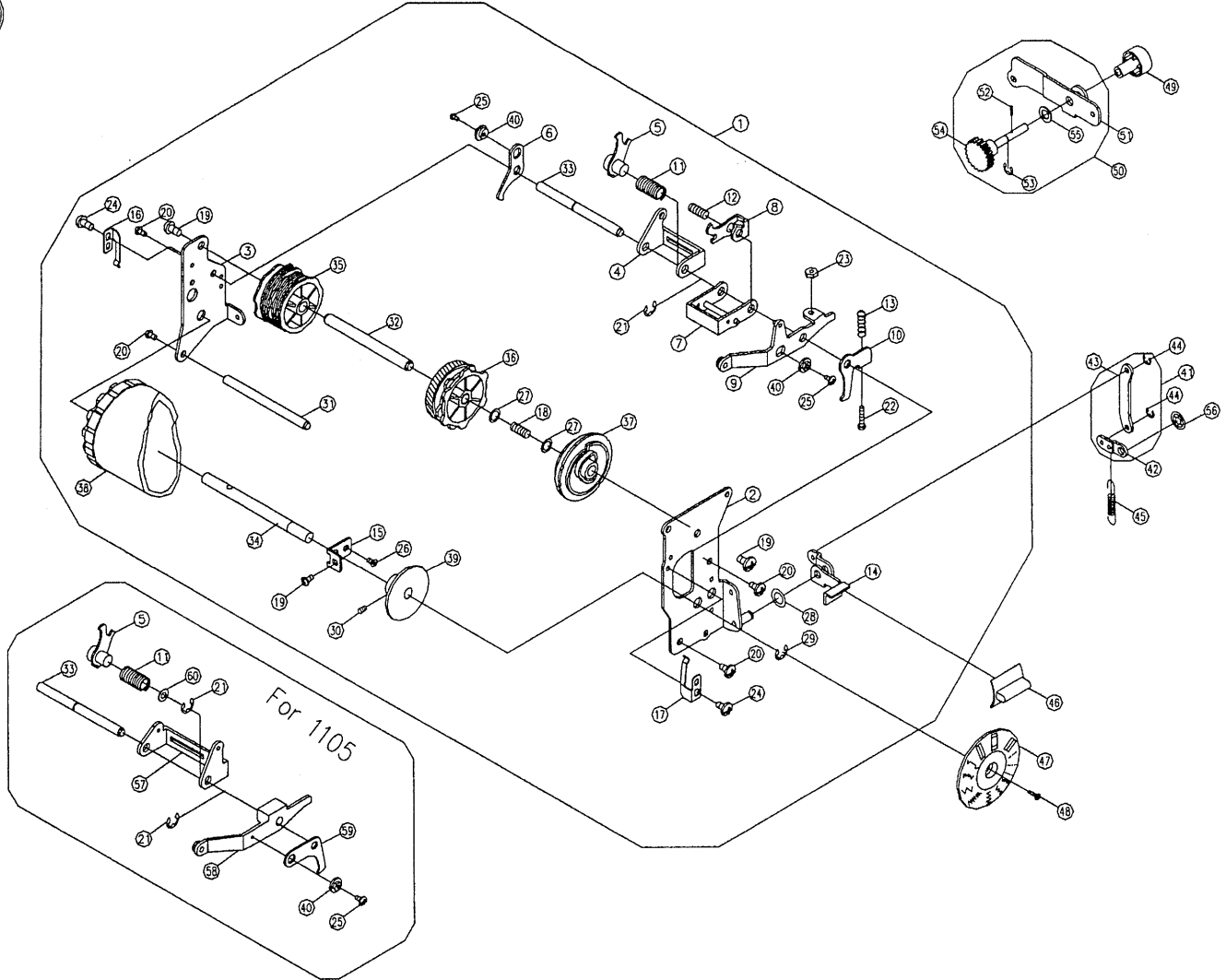




No.	Part No.	Description
1	V60010000	Arm
2	V620163210	Presser bar regulating screw
3	V70153000	Presser bar
4	V70163003*	Presser bar spring
5	H10325000	Presser bar bracket complete
6	H10333002	Presser bar bracket
7	004260023	Set screw (M6×5)
8	H10723003*	Tension lever lifter spring
9	V60153003	Tension lever lifter
10	006910008	Shank complete
11	004106211	Shank complete screw (9/64×40×7)
12	006806008	Zig zag presser foot complete (J)
13	V70273000	Needle bar (preventing mistake)
14	V61973002	Needle bar supporter
15	H50603000	Needle bar supporter pin
16	003010053	E-Ring (ETW-5)
17	004106233	Set screw (9/64×40×5)
18	G10245000	Needle clamp complete (preventing mistake)
19	Ta11033002	Needle clamp
20	G10176002	Needle clamp set screw
21	006046148	Needle (14#)
22	V60175003	Needle bar driving rod (MO. 1130/1120)
22	V70023003	Needle bar driving rod (MO. 1116)
23	M30083000	Needle bar driving rod pin
24	004400210	Endure attrition washer (8.2×16×0.5)
25	H50583003*	Needle bar supporter spring
26	H10195000*	Needle bar bracket complete
27	H10233000*	Needle bar bracket (1)
28	H10263000*	Needle bar bracket (2)
29	004240503*	Set screw (M4×0.7×4)
30	H71153003	Shuttle driver shaft collar
31	004107013	Set screw (11/64×40×4)
32	V620233000	Shuttle driver shaft gear
33	004107293	Set screw (11/64×40×4)
34	V620033001	Needle plate
35	004240851	Needle plate complete set screw (M4)

No.	Part No.	Description
36	V10333000	Presser bar lifter lever
37	V60163000	Presser bar lifter lever screw washer
38	004240046	Set screw (M4×10)
39	004240033	Set screw (M4×5)
40	V60143003	Tension lever regulating plate
41	004240056	Set screw (M4×6)
42	V10995000	Open shuttle race complete
43	V11003002*	Open shuttle race
44	V11573001*	Shuttle hook holder
45	V11583002*	Shuttle hook holder spring
46	H71093003*	Shuttle hook holder spring screw
47	K81125000	Shuttle driver complete
48	K81123002*	Shuttle driver
49	K81143003*	Shuttle driver spring
50	004103043*	Shuttle driver spring screw
51	H71173000	Shuttle hook (4.6mm)
52	006066008	Bobbin
53	H71185000	Bobbin case complete
54	H71186001*	Bobbin case
55	H13803001*	Bobbin case spring
56	H13973002*	Bobbin case spring set screw
57	R12793003*	Auto threaded shaft spring
58	003042014	Auto threaded shaft pin (φ2×14)
59	V61843002	Auto threaded shaft
60	M70043000	Spring pin
61	R10083000	Auto thread lever
62	M70083000	Auto threaded
63	M70093000	Auto threaded lever spring
64	M70073003	Auto threaded stopper
65	004230016	Set screw (M3×6)
66	H71155000	Shuttle driver shaft collar complete
67	V620235000	Shuttle driver shaft gear
68	V810103003	Needle bar supporter spring
69	V90133003	Needle bar driving rod
69	V60175003	Needle bar driving rod (MO. 1105)
70	003010053	E-Ring (ETW-5)

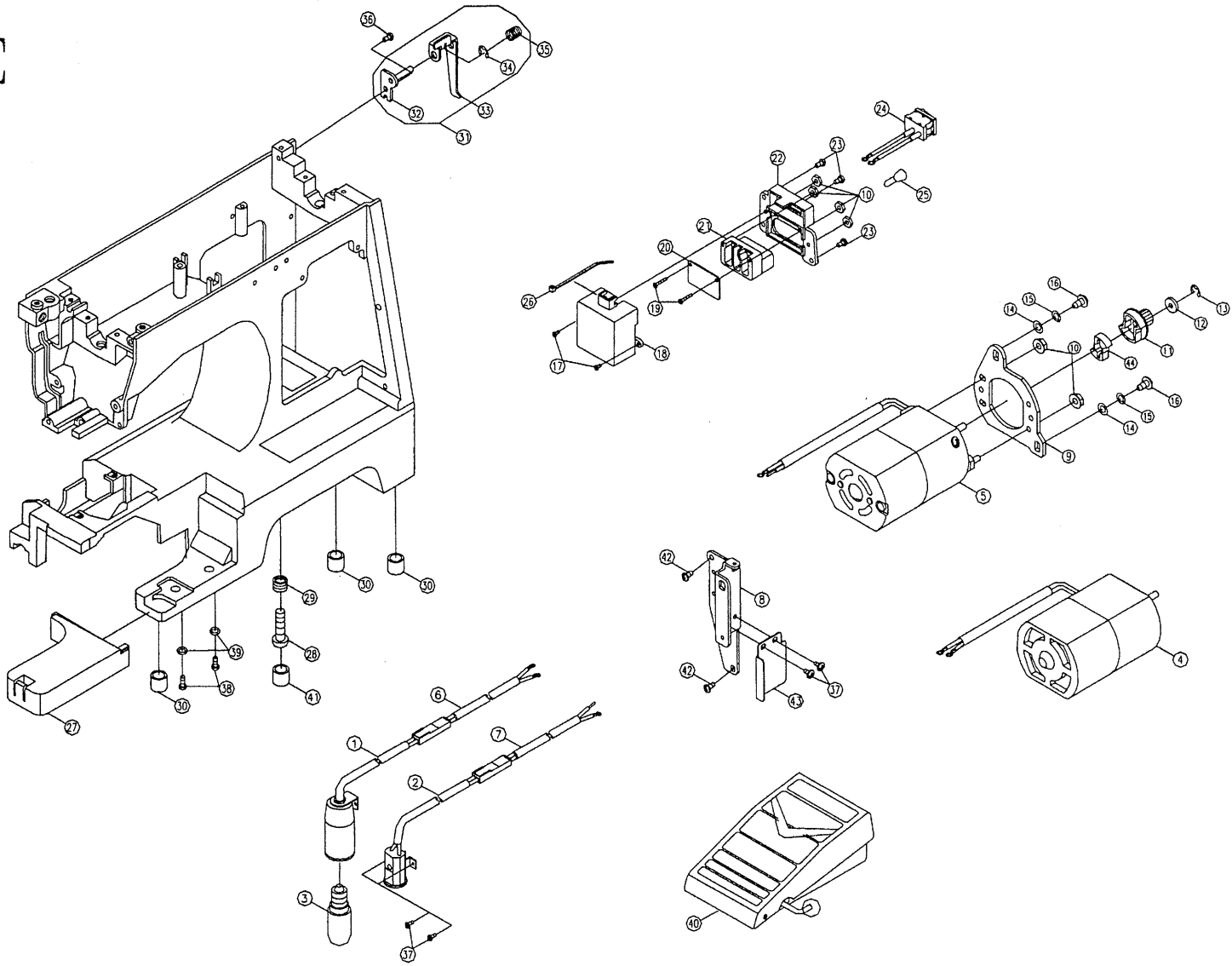
D



No.	Part No.	Description
1	VG40065000	Pattern cam contact complete
1	V740065000	Pattern cam contact complete (MO.1116)
2	V60613003	Pattern cam contact plate (front)
3	V60633003	Pattern cam contact plate (back)
4	V60703003	Zig zag cam contact supporter
4	V90143003	Zig zag cam contact supporter (MO.1105)
5	V60713003	Zig zag cam contact
6	V60723003	Zig zag regulator plate
7	V60743003	SS cam contact supporter
8	V60763003	SS cam contact
9	V90043003	Feed regulator crank (MO.1105)
10	V60803003	BH regulator plate
10	V90053003	BH regulator plate (MO.1105)
11	V10693003	Zig zag cam contact spring
12	V60773003	SS cam contact spring
13	V60813003	BH spring
14	V640243003	Reverse lever
15	V60853003	Pattern selector cam plate
16	V60873003	Pattern plate
17	V60883003	Feed regulator
18	V60673003	Pattern cam shaft spring
18	V11603003	Pattern cam shaft spring
19	004240106	Set screw (M4×8)
20	004230016	Set screw (M3×6)
21	003010053	E-Ring (ETW-5)
22	004240706	Set screw (M4×20)
23	004707022	Nut (11/64×40 t=3.8)
24	004240056	Set screw (M4×6)
25	004230016	Set screw (M3×10)
26	004240166	Set screw (M4×8)
27	004300823	Washer (8.2×12×0.25)
28	004300186	Set screw (6.2×12×0.5)
29	003010063	E-Ring (ETW-6)
30	004240503	Set screw (M4×4)
31	V60823003	Pattern cam contact supporter shaft
32	V60643003	Pattern cam shaft

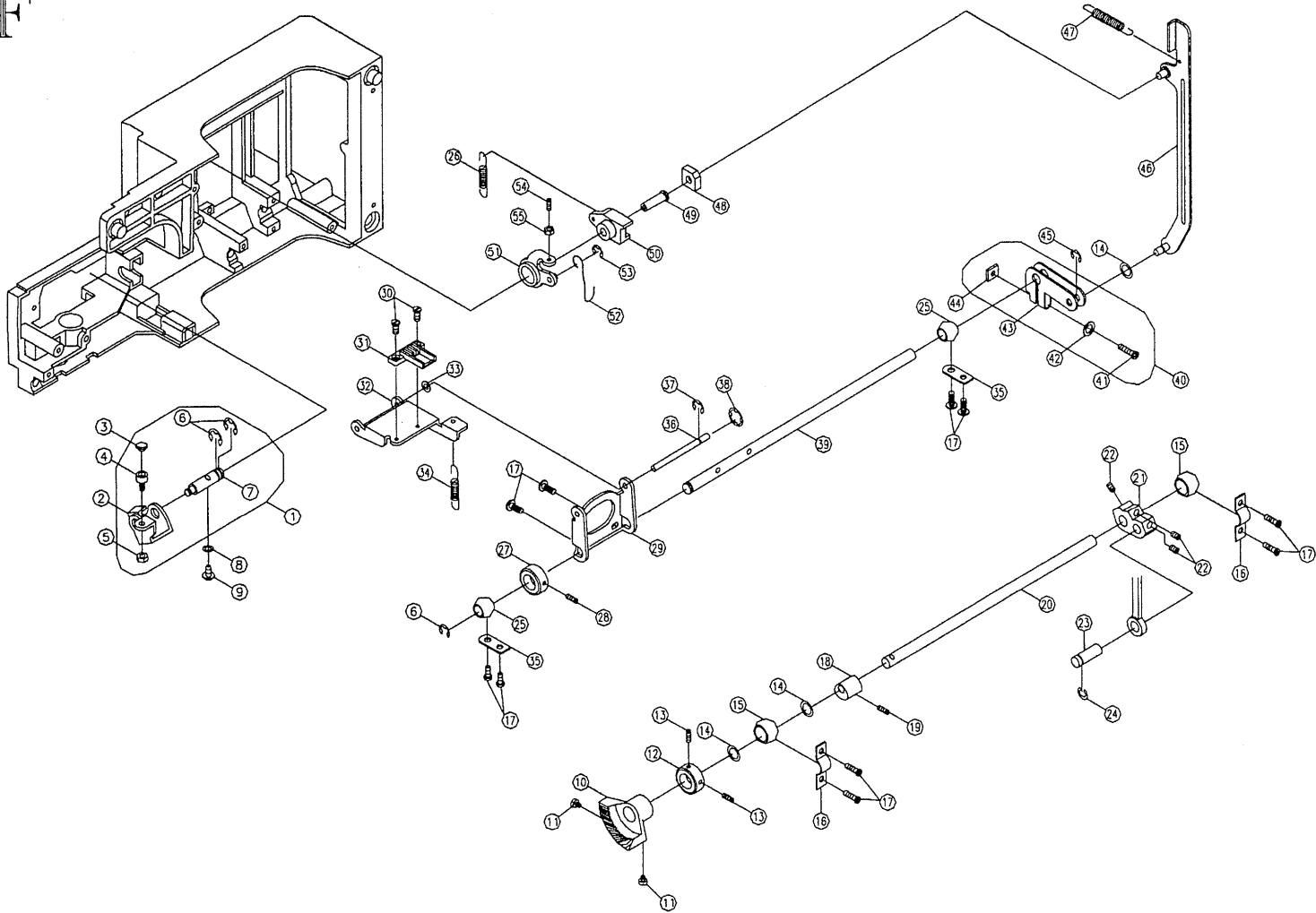
No.	Part No.	Description
33	V60693000	Zig zag cam contact supporter shaft
34	V60833003	Pattern selector cam shaft
35	VG0053000	Pattern cam
35	V60653000	Pattern cam (MO.1120)
35	V90023000	Pattern cam (MO.1105)
36	V60663000	SS cam
37	V60683000	Feed regulator cam
38	V60843000	Pattern selector cam
38	V70053000	Pattern selector cam (MO.1116)
38	V90063000	Pattern selector cam (MO.1105)
39	V60863000	BH pattern selector cam
39	V90073000	BH pattern selector cam (MO.1105)
40	V60733000	Zig zag regulator nut
41	V60934000	Reverse plate complete
42	V60943003	Reverse plate
43	V60953003	Reverse rod
44	003010053	E-Ring (ETW-5)
45	M70093000	Spring
46	V640233000	Reverse button
47	V948293210	Pattern display pulley (MO.1105)
47	V448293210	Pattern display pulley (MO.1116)
47	VG48293210	Pattern display pulley (MO.1120.1130)
48	004240106	Set screw (M4×8)
49	V61453210	Selector dial
50	V60914000	Selector dial complete
51	V60923003	Selector dial plate
52	003042512	Spring pin (φ2.5×12)
53	003010063	E-Ring (ETW-6)
54	R11109006	Selector dial shaft
55	004300843	Washer dial shaft
56	003020053	CS-Ring (cstw-5)
57	V90143003	Zig zag cam contact supporter (MO.1105)
58	V90043003	Feed regulator crank (MO.1105)
59	V90053003	BH regulator plate (MO.1105)
60	004300333	Washer dial shaft (6.7×12×0.5)

E



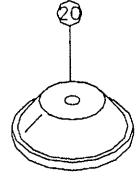
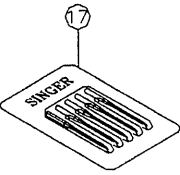
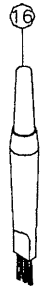
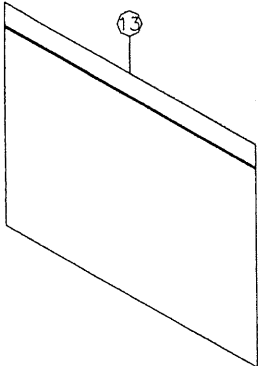
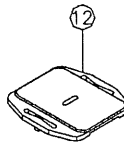
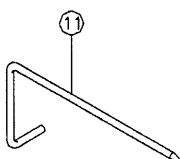
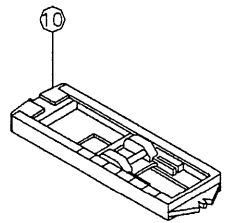
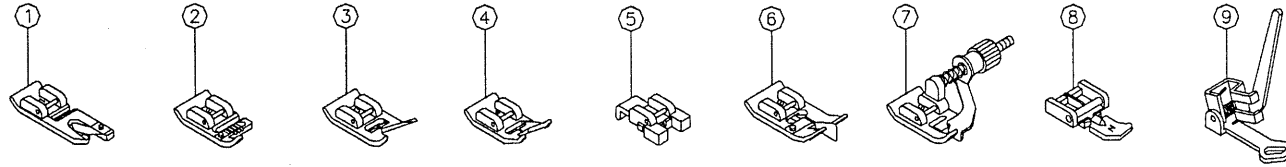


F





G





No.	Part No.	Description
1	006800008	Hammer foot
2	006810008	Cording foot
3	006806008	Zig zag foot (J)
4	006804008	Satin stitch foot
5	006914008	Button sew-on foot
6	006803008	Overcasting foot (G)
7	006812008	Blind hem foot (L)
8	006905008	Zipper foot (I)
9	006016008	Embroidery
10	006909008	Buttonhole foot (B)
11	006008001	Quilting bar
12	006117009	Embroider plate
13	006011009	Accessories bag
14	006093009	Screw drive (L)
15	006013009	Oilier
16	006099008	Brush & seam ripper complete
17	006175008	Needle (14#.16#.11#)
18	006066008	Bobbin
19	TA10943209	Spool set plate (small)
20	R12373210	Spool set plate (big)

NOTE: When you order any spare parts from us, please cooperate with us by writing.

- (1) Section & Sequence No.
- (2) Name of parts
- (3) Voltage, if necessary
- (4) "\*" means: These spare parts are not supplied individually, but can be obtained by minimum quantity at 300 pcs.