

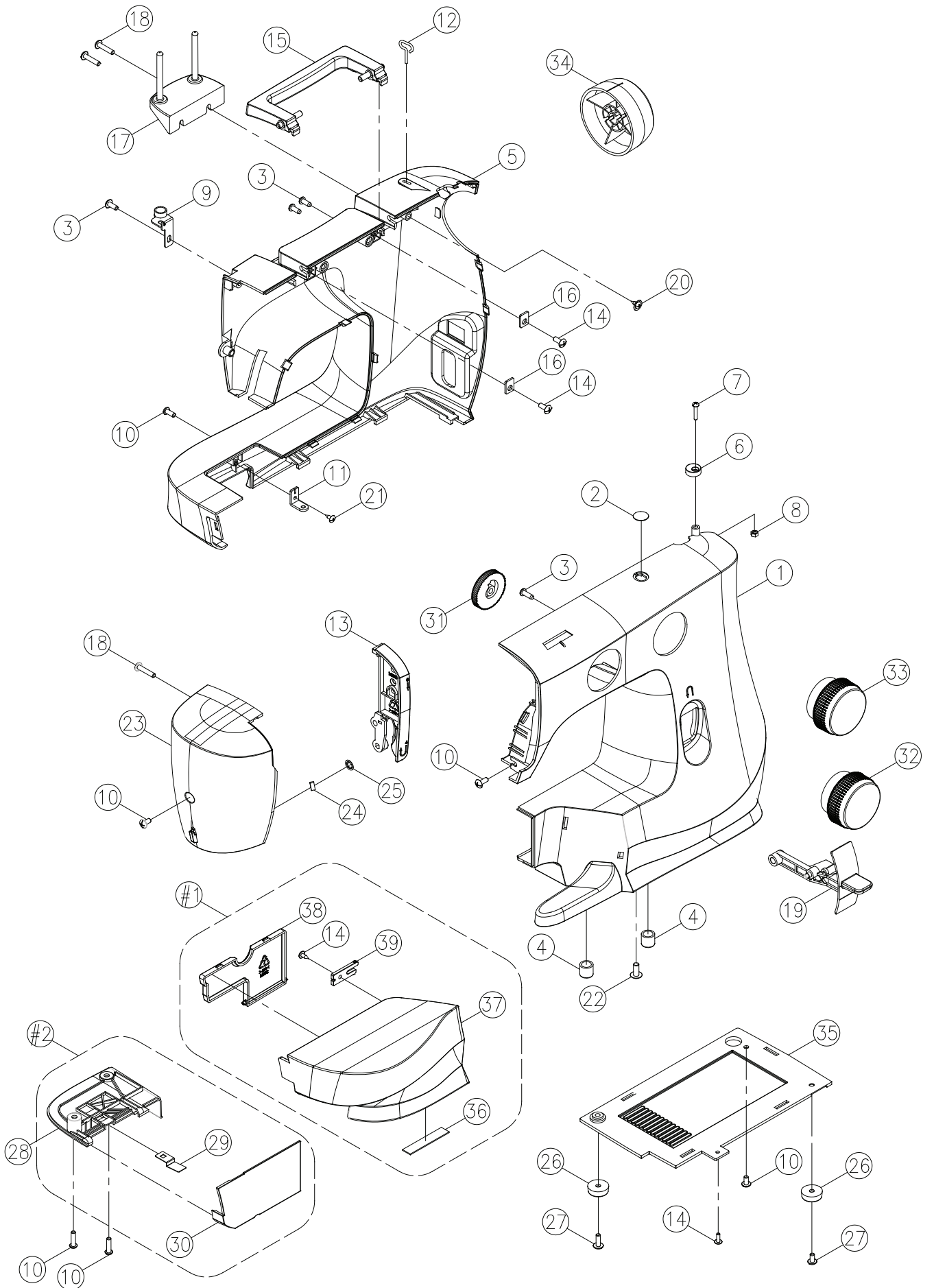


**SINGER®**

M2100-M2105

Liste de pièces  
Lista de Piezas  
Parts List

A



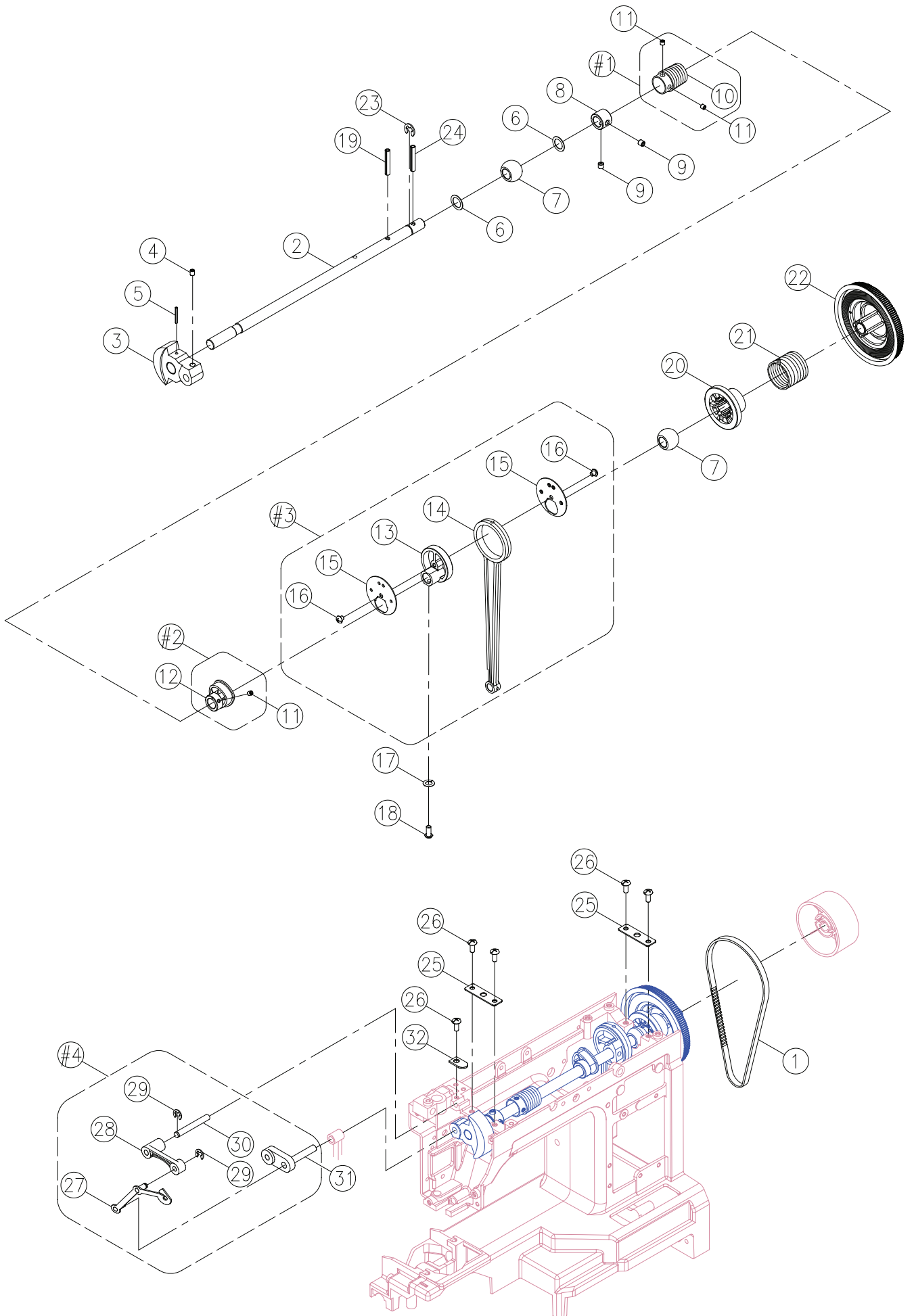
## Available parts

Ref No	Part No	Part Name
4	68003263	FREE ARM BASE CUSHION RUBBER
7	416174001	SET SCREW (9/64x40x16 B)
8	416126301	NUT (9/64x40 t=3)
9	270 V61325000	BOBBIN WINDER THREAD GUIDE CPL.
10	416121501	SET SCREW (M4x8 A)
15	68012834	HANDLE
17	68012835	SPOOL PIN PLATE
19	68012836	REVERSE LEVER BUTTON
24	412423701	THREAD CUTTER
25	416116701	CS-RING (CSTW-5)
26	416642201	FREE ARM BASE CUSHION RUBBER
32	68012837	DIAL TENSION KNOB
33	68012838	PATTERN SELECTOR DIAL
34	68012840	HAND WHEEL
#1	68012841	SEWING TABLE BODY CPL.

## NOT Available

1	68013303	FRONT COVER
2	68013144	PLATE(1)
3	416122201	SET SCREW (M4x10 B)
5	68013304	BACK COVER
6	416554101	BOBBIN WINDER STOPPER
11	68013243	FRONT COVER SET PLATE
12	416773101	GUIDE SPRING
13	68013305	DIAL TENSION SUPPORTER PLATE COVER
14	416681501	SET SCREW (M3x8.5)
16	68001430	SET WASHER
18	416123501	SET SCREW (M4x20 A )
20	416718201	SET SCREW (3x5)
21	416421601	SET SCREW (M3x6)
22	68013169	SET SCREW (M5x10 B)
23	68013307	FACE PLATE
27	68001182	SCREW (M4x15 A)
28	68013308	BED COVER
29	416421301	HOOK COVER SPRING
30	68013309	HOOK COVER
31		
35	416523201	BOTTOM PLATE
36	68013166	ANTI-FRICTION FELT
37	68013310	SEWING TABLE BODY
38	68013311	SEWING TABLE BODY COVER
39	68013252	SEWING TABLE PLATE
#2	68013312	FREE ARM BASE COVER CPL.

# B



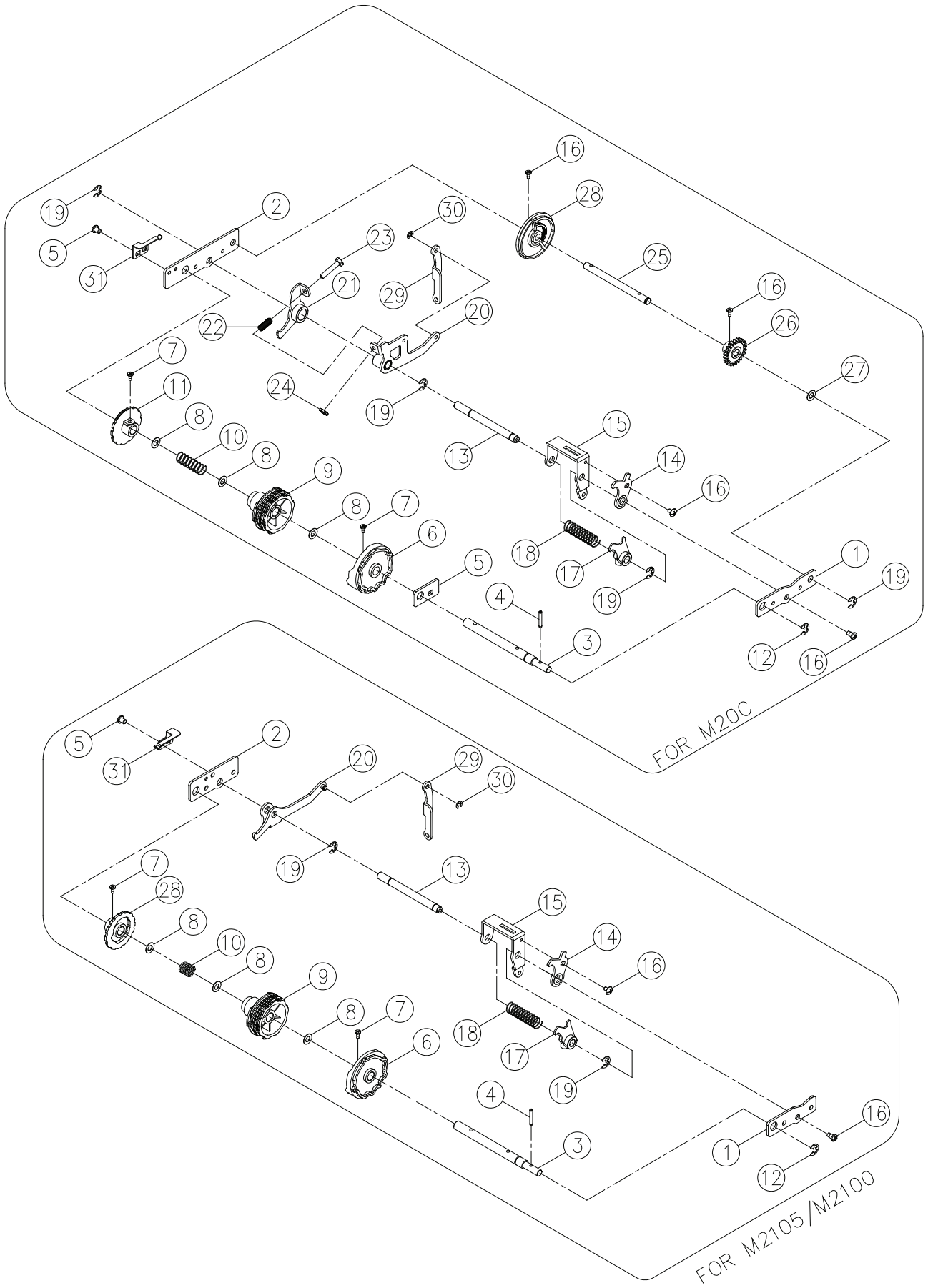
## Available parts

Ref No	Part No	Part Name
9	416121001	SET SCREW (M4x5 C)
20	416307201	CLUTCH SLEEVE
21	270 D5A0573003	ARM SHAFT CLUTCH ANNULUS SPRING
24	416680701	SPRING PIN (3x30)
26	416121501	SET SCREW (M4x8 A)
29	416116101	E-RING (ETW-4)
31	416158001	ARM SHAFT BALANCE PIN
#4	416147201	THREAD TAKE UP LEVER COMPLETE

## NOT Available

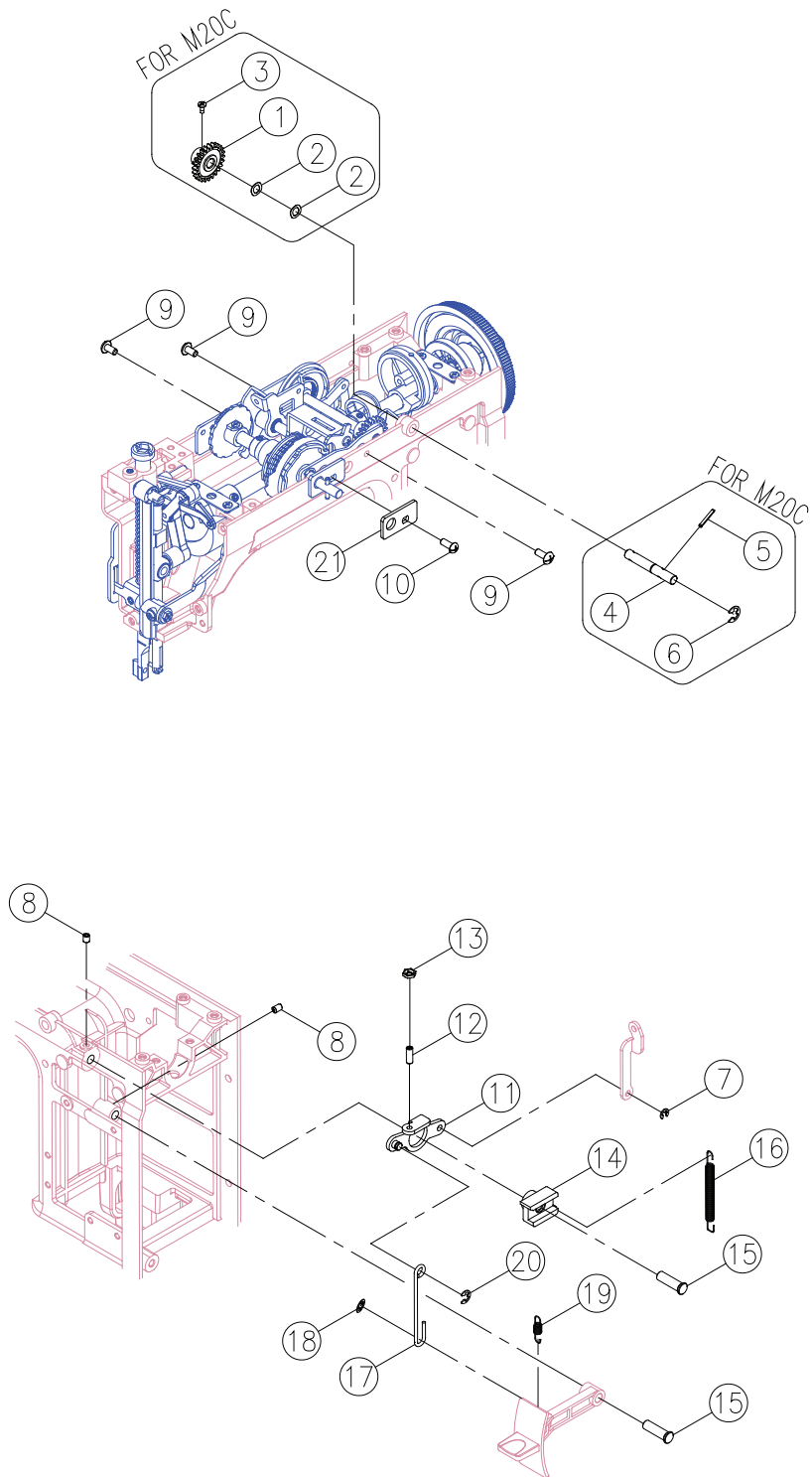
1	416515401	BELT
2	416516101	ARM SHAFT
3	416170701	ARM SHAFT BALANCE
4	416123601	SET SCREW (M5x5 C)
5	416117701	ARM SHAFT BALANCE PIN (3.5x24)
6	416125101	ENDURE ATTRITION WASHER (10.2x15x0.5)
7	416156301	ARM SHAFT BUSING
8	416765101	ARM SHAFT COLLAR
10	416515201	ARM SHAFT WORM
11	416122401	SET SCREW (M4x4 C)
12	416150401	FEED CAM
13	416524201	CRANK CONNECTING ROD CAM
14	416524301	CRANK CONNECTING ROD
15	416524401	CRANK CONNECTING ROD COVER
16	416524501	SET SCREW (M4X4 B)
17	416126101	WASHER (4.2x7.2x1.2)
18	416118601	SET SCREW (11/64x40x12)
19	416680401	SPRING PIN (3x28)
22	416515301	ARM SHAFT DRIVER BELT PULLEY
23	416680501	E-RING (ETW-8)
25	416161701	ARM SHAFT BUSHING HOLDER PLATE
27	416147101	THREAD TAKE UP LEVER
28	416157901	THREAD TAKE UP LEVER SUPPORTER
30	416162201	THREAD TAKE UP LEVER SUPPORTER SHAFT
32	416152201	SET WASHER
#1	416515601	ARM SHAFT WORM CPL.
#2	416150501	FEED CAM CPL.
#3	68013260	CRANK CONNECTING ROD CPL.

C



## Available parts

Ref No	Part No	Part Name
5	416226601	SET SCREW (M4×5 B)
30	416116001	E-RING (ETW-3)
NOT Available		
1	416516201	PATTERN CAM CONTACT PLATE (FRONT)
2	416516401	PATTERN CAM CONTACT PLATE (BACK)
3	416516601	PATTERN SELECTOR CAM SHAFT
4	416183901	SPRING PIN (2.5×16)
6	416516801	PATTERN SELECTOR CAM
7	416185001	SET SCREW (M3.5x8 A)
8	416186501	WASHER (8.2x12x0.5)
9	416517001	PATTERN CAM
10	416165501	PATTERN CAM SHAFT SPRING (FOR 83N0)
11		
12	416116401	E-RING (ETW-6)
13	416517201	CONTACT SUPPORTER SHAFT
14	416517401	ZIGZAG RELEASE PLATE
15	416517501	ZIGZAG CAM CONTACT SUPPORTER
16	416518401	SET SCREW (M3x8 A)
17	416517701	ZIGZAG CAM CONTACT
18	416517801	ZIGZAG CAM CONTACT SPRING
19	416183801	E-RING (ETW-5)
20	416517901	FEED CRANK
21		
22		
23		
24		
25		
26		
27		
28	416518501	FEED REGULATOR CAM
29	416518701	FEED ROD
31	416518801	PATTERN FIX SPRING PLATE





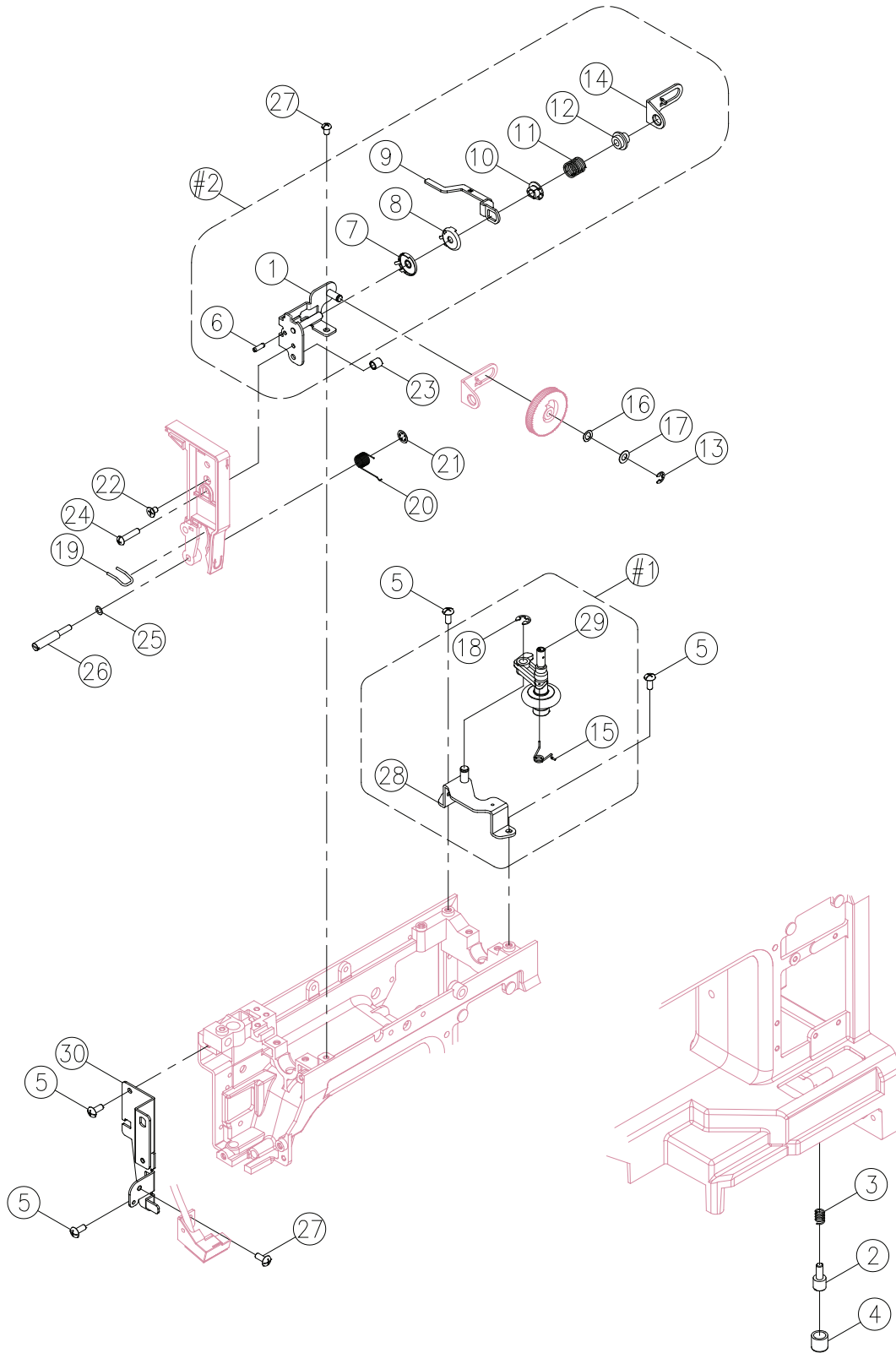
## Available parts

Ref No	Part No	Part Name
7	416116001	E-RING (ETW-3)
9	416121501	SET SCREW (M4x8 A)
10	416121101	SET SCREW (M4×10 B)
13	416126801	NUT (ALN-4)

## NOT Available

1		
2		
3	416518401	SET SCREW (M3x8 A)
4		
5	416183901	SPRING PIN (2.5×16)
6		
8	416122101	SET SCREW (M4x6 C)
11	416519201	FEED REGULATING PLATE CPL.
12	416122701	SET SCREW (M4×0.7 L12)
14	416519101	FEED REGULATING
15	416163401	FEED REGULATING SHAFT
16	416173001	FEED REGULATING SPRING
17	416519401	REVERSE ROD
18	416225801	CS-RING (CSTW-4)
19	416155001	AUTO THREADER LEVER SPRING
20	416116201	E-RING (ETW-4)
21	416519601	PATTERN SELECTOR CAM SHAFT PLATE

# E

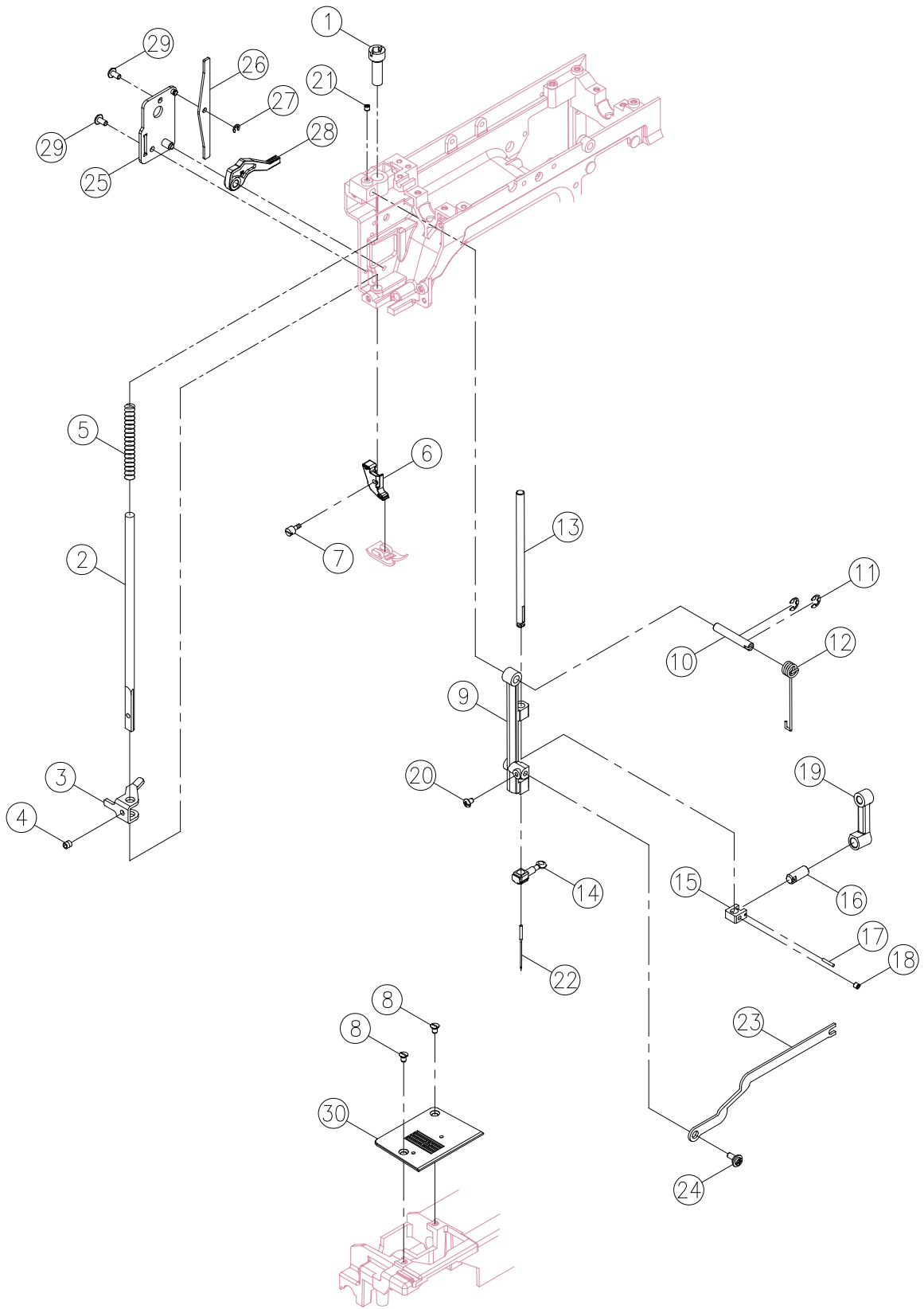


## Available parts

Ref No	Part No	Part Name
3	416154401	BASE PLATE ADJUSTMENT SCREW SPRING
4	416147001	FREE ARM BASE CUSHION RUBBER
5	416121501	SET SCREW (M4x8 A)
12	416153801	DIAL TENSION REGULATOR
13	416116101	E-RING (ETW-4)
19	416198701	THREAD GUIDE
20	416162601	THREAD GUIDE SPRING
21	416116701	CS-RING (CSTW-5)
22	416121901	SET SCREW (M4x6 D)
24	416121701	SCREW (M4x15 B)
25	416124101	WASHER (4.2x8x0.8)
#1	416772601	BOBBIN WINDER CPL.

## NOT Available

1	416772001	DIAL TENSION SUPPORTER PLATE CPL.
2	416154601	BASE PLATE ADJUSTMENT SCREW
6	416117501	SPRING PIN (3x10)
7	416153601	DIAL TENSION DISC (1)
8	416146301	DIAL TENSION DISC
9	416772101	DIAL TENSION WAFT PLATE
10	416526801	DIAL TENSION SPRING REGULATOR
11	416772201	DIAL TENSION SPRING
14	416162501	DIAL TENSION SPRING PLATE
15	416684501	BOBBIN WINDER CRANK SPRING
16	416126001	WASHER (WW-5)
17	416124501	WASHER (5.2x10x0.5)
18	416116301	E-RING (ETW-5)
23	416151701	DIAL TENSION GUIDE SPRING TUBE
26	416123001	SET SCREW (M4x14 L=37)
27	416121201	SCREW (M4x6 B)
28	416772501	BOBBIN WINDER FRAME CPL.
29	416520201	BOBBIN WINDER CRANK CPL.
30	68013265	LAMP BRACKET
#2	68013266	DIAL TENSION SUPPORTER PLATE CPL.

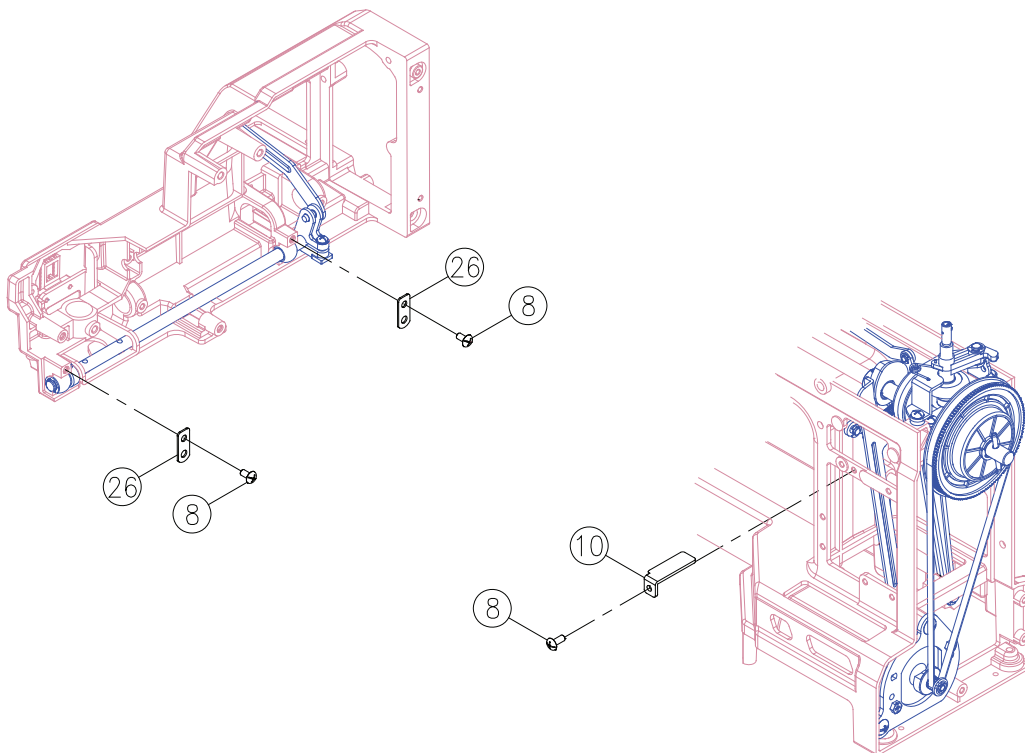
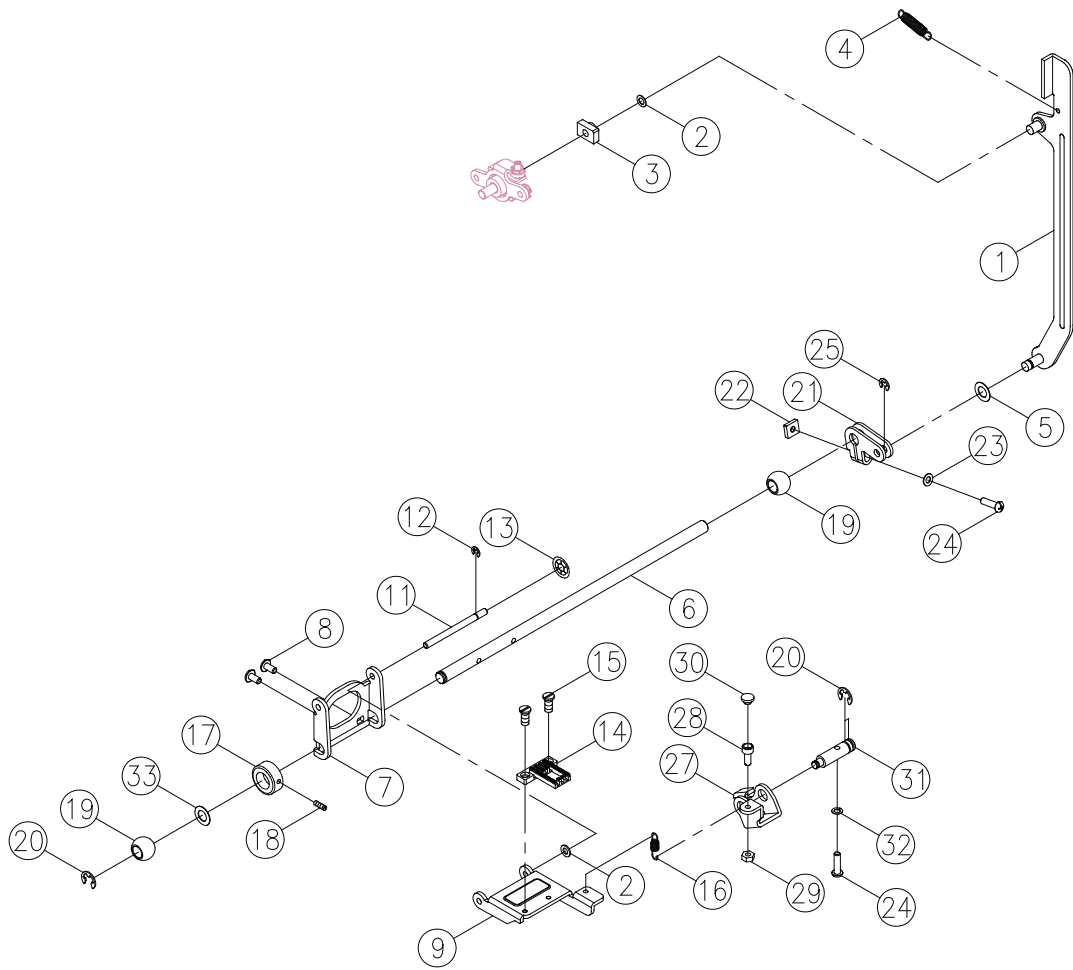


## Available parts

Ref No	Part No	Part Name
2	416173401	PRESSER BAR
6	416495501	SHANK
8	416122901	NEEDLE PLATE CPL. SET SCREW
13	416173601	NEEDLE BAR
14	416245301	NEEDLE CLAMP CPL.
21	416121001	SET SCREW (M4x5 C)
24	416801101	NEEDLE BAR DRIVING ROD PIN
27	416116001	E-RING (ETW-3)
29	416121501	SET SCREW (M4x8 A)

## NOT Available

1	416515701	PRESSER BAR REGULATING SCREW (FOR NON-EXPOSURE)
3	68013267	PRESSER BAR BRACKET
4	416122101	SET SCREW (M4x6 C)
5	416146901	PRESSER BAR SPRING
7	416118401	SHANK SCREW (9/64x40x8)
9	416171401	NEEDLE BAR SUPPORTER (FOR NON-AUTO-THREADER)
10	416515801	NEEDLE BAR SUPPORTER PIN
11	416116301	E-RING (ETW-5)
12	416515901	NEEDLE BAR SUPPORTER SPRING
15	416638901	NEEDLE BAR BRACKET (1)
16	416771501	NEEDLE BAR BRACKET (2)
17	416572001	PIN (2x12)
18	416122401	SET SCREW (M4x4 C)
19	416639101	NEEDLE BAR CRANK ROD
20	416224401	SET SCREW (9/64x40x6)
22		NEEDLE (#14)
23	416516001	NEEDLE BAR DRIVING ROD
25	68013272	CLAMP PLATE
26	68013273	TENSION LEVER LIFTER
28	416771601	PRESSER BAR LIFTER LEVER
30	68013152	NEEDLE PLATE



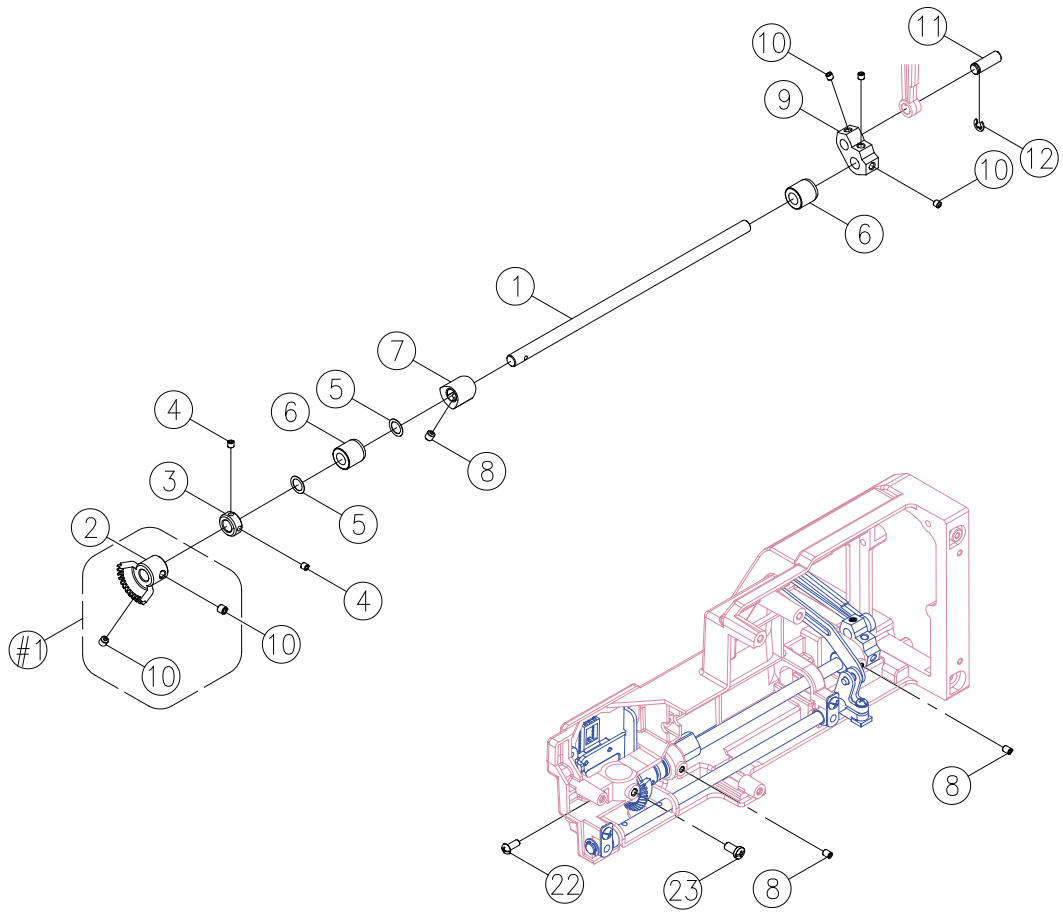
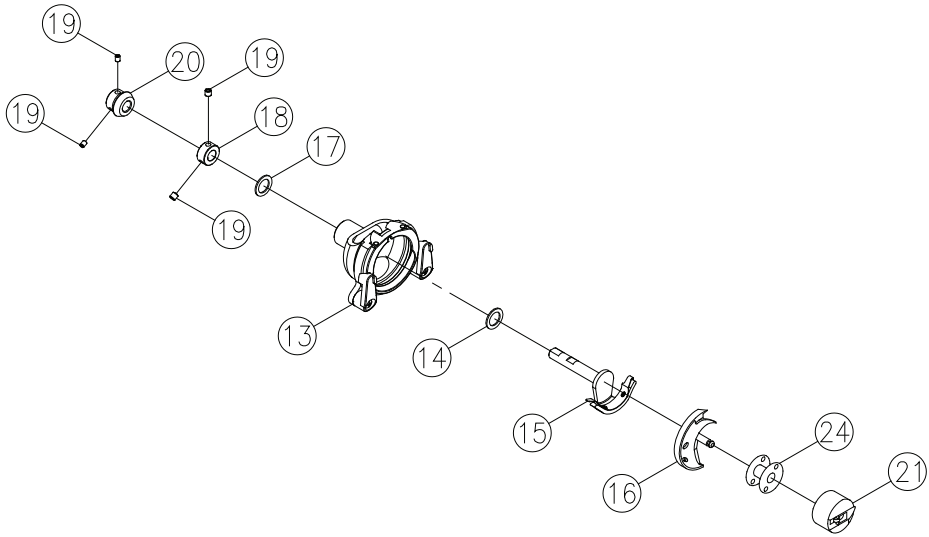
Available parts

Ref No	Part No	Part Name
8	416121501	SET SCREW (M4x8 A)
12	416116001	E-RING (ETW-3)
14	416171601	FEED DOG
16	270 V60533003	FEED DOG FRAME SPRING
24	416121701	SCREW (M4x15 B)
25	416116101	E-RING (ETW-4)
30	416154401	SEW SCREW KNOB

## NOT Available

1	416163501	FORK ROD
2	416125201	ENDURE ATTRITION WASHER (5.7x10.2x0.5)
3	416158601	FEED REGULATING BLOCK
4	416795201	FORK ROD SPRING
5	416125501	ENDURE ATTRITION WASHER (5.5x12x0.25)
6	416520501	FEED ROCK SHAFT
7	416164001	FEED ROCK FRAME
9	416164101	FEED DOG FRAME
10	68013274	FORK ROD STOPPTER
11	416164201	FEED DOG FRAME SHAFT
13	416117901	NUT (SPN-4)
15	416528801	SET SCREW (M3x5 B)
17	416151801	PATTERN CAM SHAFT COLLAR
18	416122401	SET SCREW (M4x4 C)
19	416162701	FEED ROCK BUSHING
20	416116401	E-RING (ETW-6)
21	416164501	FEED ROCK CRANK
22	416126701	FEED ROCK CRANK NUT (M4)
23	416123901	WASHER (4x8x0.5)
26	416164601	BUSHING HOLDER PLATE
27	416164801	FEED LIFTING ROCK CRANK
28	416123701	SEW SCREW
29	416126501	NUT (M4 t=3)
31	416164901	FEED LIFTING ROCK SHAFT
32	416126101	WASHER (4.2x7.2x1.2)
33	416125401	ENDURE ATTRITION WASHER (8.2x12x0.25)

# H



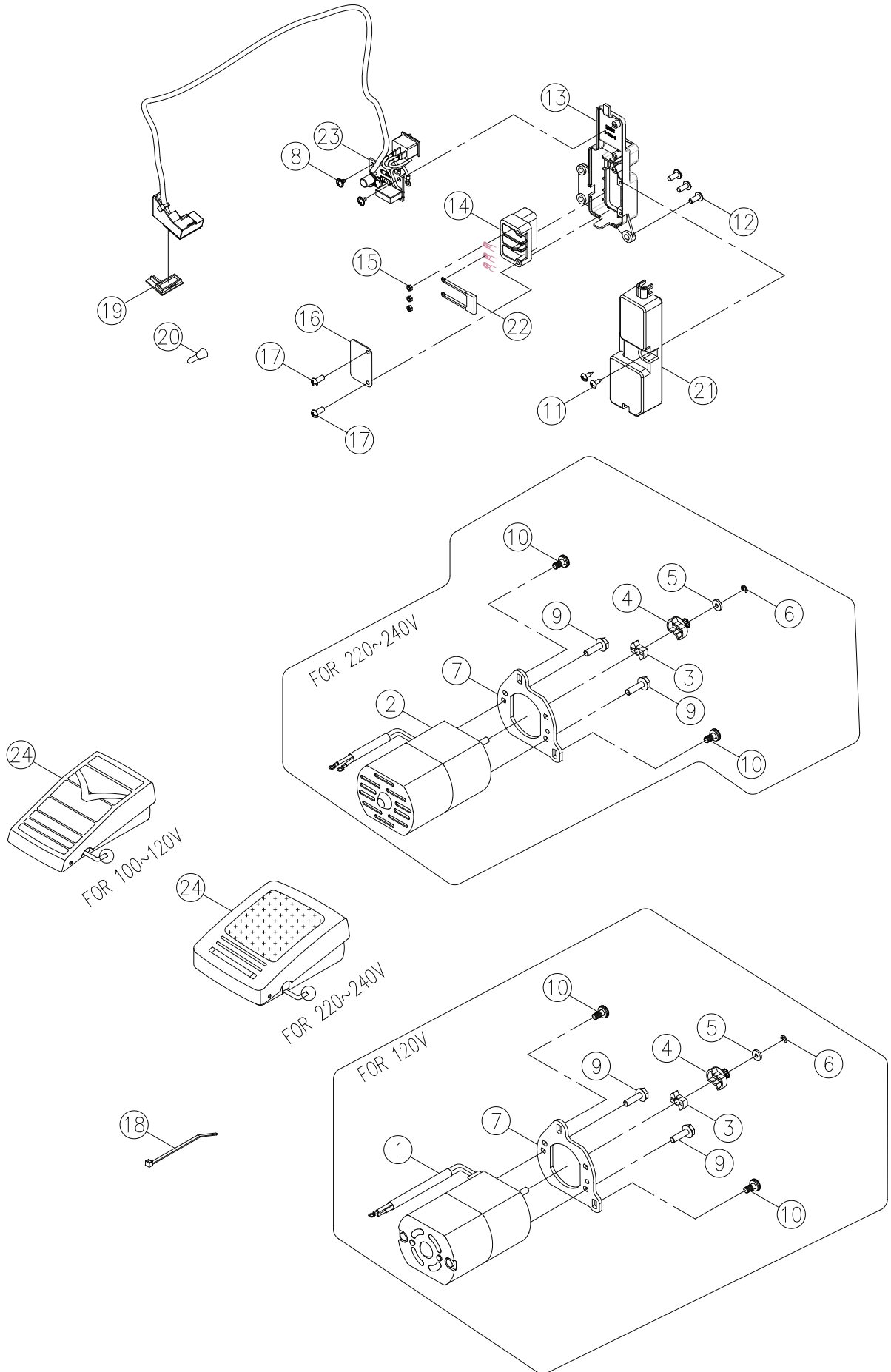


## Available parts

Ref No	Part No	Part Name
2	270 G4A1573000	LOWER SHAFT GEAR
13	68000176	OPEN SHUTTLE RACE CPL.
15	68000174	SHUTTLE DRIVER CPL.
16	416392101	SHUTTLE HOOK (4.6mm)
20	270 G4A1583000	SHUTTLE DRIVER SHAFT GEAR
21	416153401	BOBBIN CASE CPL.
22	416121101	SET SCREW (M4×10 B)
24	68000175	BOBBIN
#1	416245801	LOWER SHAFT GEAR CPL.

## NOT Available

1	416527801	LOWER SHAFT
3	416158801	LOWER SHAFT COLLAR
4	416122401	SET SCREW (M4x4 C)
5	416125401	ENDURE ATTRITION WASHER (8.2x12x0.25)
6	416141701	FEED ROCK BUSHING
7	416520701	FEED LIFTING ROCK CAM
8	416122101	SET SCREW (M4x6 C)
9	416162801	CRANK CONNECTING ROD CRANK
10	416123601	SET SCREW (M5×5 C)
11	416158201	CRANK CONNECTING ROD CRANK PIN
12	416116301	E-RING (ETW-5)
14	416125701	ENDURE ATTRITION WASHER (7.6x12x0.13)
17	416125301	ENDURE ATTRITION WASHER (8.2×16×0.5)
18	416153101	SHUTTLE DRIVER SHAFT COLLAR
19	416118701	SET SCREW (11/64x40x4)
23	68013169	SET SCREW (M5x10 B)

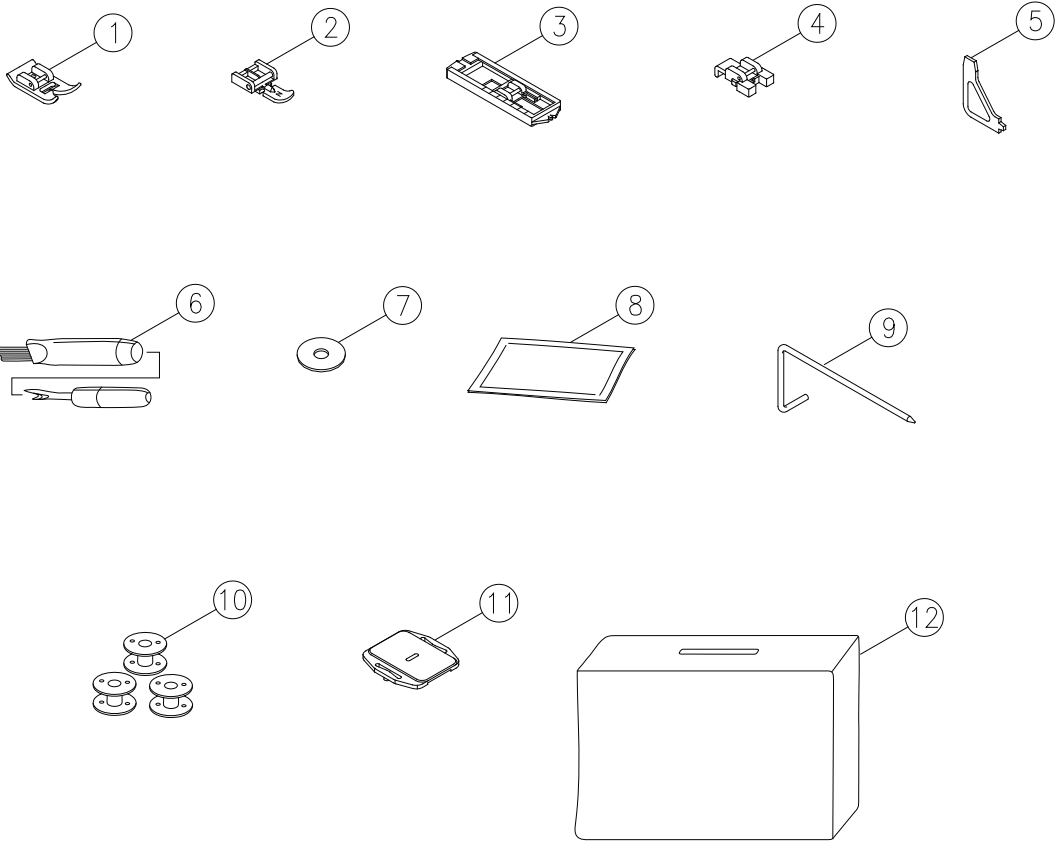


Available parts

Ref No	Part No	Part Name
1	68003572	MOTOR (FOR 120V / US)
2	416430001	MOTOR (FOR 230V / EU)
3	416129401	CUSHION RUBBER
6	416116001	E-RING (ETW-3)
12	416121501	SET SCREW (M4x8 A)
14	416184701	RECEPTACLE
24	68001147	FOOT CONTROLLER (FOR 230V / EU)
24	270 002V8E4003	FOOT CONTROLLER (FOR 120V / US)

NOT Available

4	68013346	BELT WHEEL
5	416114001	MOTOR FEED REGULATOR COLLAR
7	416521401	MOTOR BRACKET
8	416681501	SET SCREW (M3x8.5)
9	416521501	SET SCREW (M4x10.2)
10	68013176	SET SCREW (M5x12)
11	68013231	WASHER (3.2x8x3)
13	68013290	RECEPTACLE HOLDER
15	416528701	NUT (M3x4)
16	416183601	CONCERT INSULATION PLATE
17	68001407	SET SCREW (M3x22 B)
18	416113901	CORD CLIP
19	68001416	LAMPSHADE
20	416133001	END TERMED
21	68013292	RECEPTACLE HOLDER COVER
22	68013175	CONDENSER (FOR 220V-240V)
23	68013295	LED HOLDER CPL. (FOR 230V / EU)
23	68013299	LED HOLDER CPL. (FOR 120V / US)



Available parts

<u>Ref No</u>	<u>Part No</u>	<u>Part Name</u>
1	416128401	ALL PURPOSE FOOT (J)
2	416128701	ZIPPER FOOT (I)
3	416128901	BUTTONHOLE FOOT (B)
4	416284501	BUTTON SEWING FOOT (H)
5	68000177	L-SCREWDRIVER
6	416127701	SEAM RIPPER / BRUSH
7	416127301	SPOOL PIN FELT
10	68000175	BOBBIN
11	416127901	DARNING PLATE
12	416796701	SOFT COVER CPL.

## NOT Available

8		NEEDLE
9	416497401	EDGE / QUILTING GUIDE