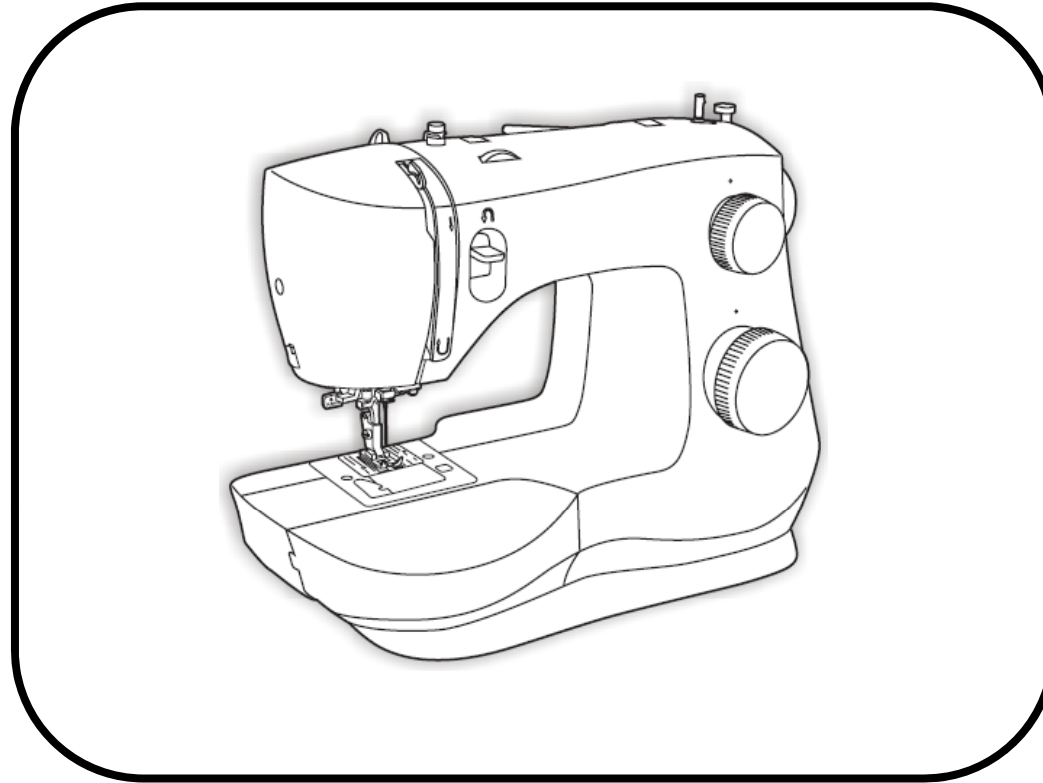


# PARTS LIST



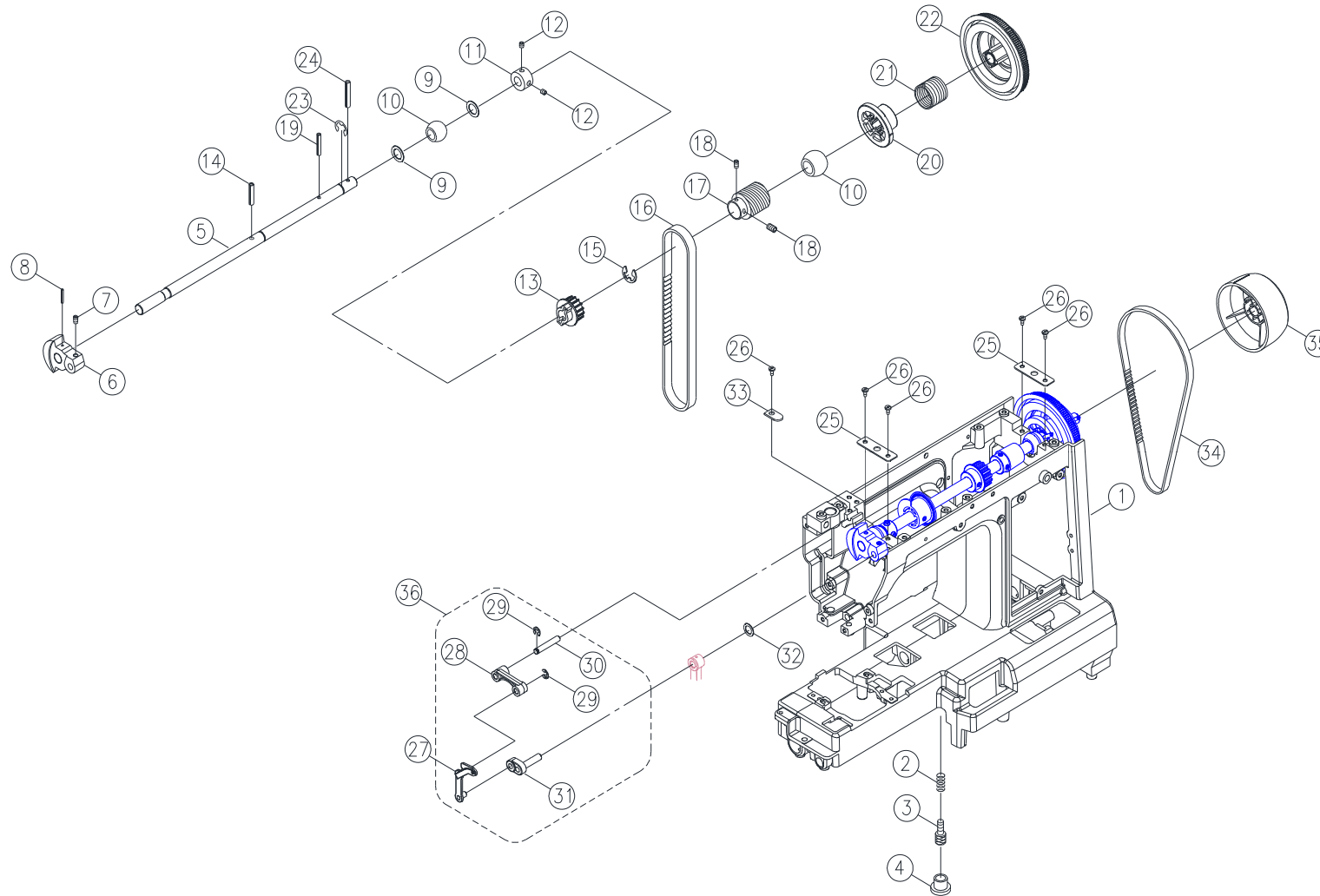
**SINGER®**

MODEL 3333.3337.3342

## ~ LIST OF CONTENTS ~

A. ARM, ARM SHAFT, THREAD TAKE UP LEVER	1
B. PATTERN CAM CONTACT PLATE_FOR 3337.3342	3
B. PATTERN CAM CONTACT PLATE_FOR 3333	5
C. BH LEVER PLATE, BH SELECTOR PLATE, FEED REGULATOR DIAL SHAFT	7
D. NEEDLE BAR SUPPORTER, PRESSER BAR	9
E. FEED REGULATING, FEED ROCK SHAFT, BELT ADJUSTING PLATE	11
F. LOWER SHAFT, ROTARY HOOK	13
G. ZIGZAG REGULATOR, BOBBIN WINDER, CLUTCH ROD, REVERSE LEVER	15
H. DIAL TENSION, ROTARY HOOK PLATE, NEEDLE PLATE	17
I. MOTOR COMPLETE, FOOT CONTROLLER, RECEPTACLE HOLDER	19
J. FRONT COVER, BACK COVER	21
K. FACE PLATE, FREE ARM FOOT BASE, BED COVER, SEWING TABLE	23
L. ACCESSORIES	25

A. ARM, ARM SHAFT, THREAD TAKE UP LEVER

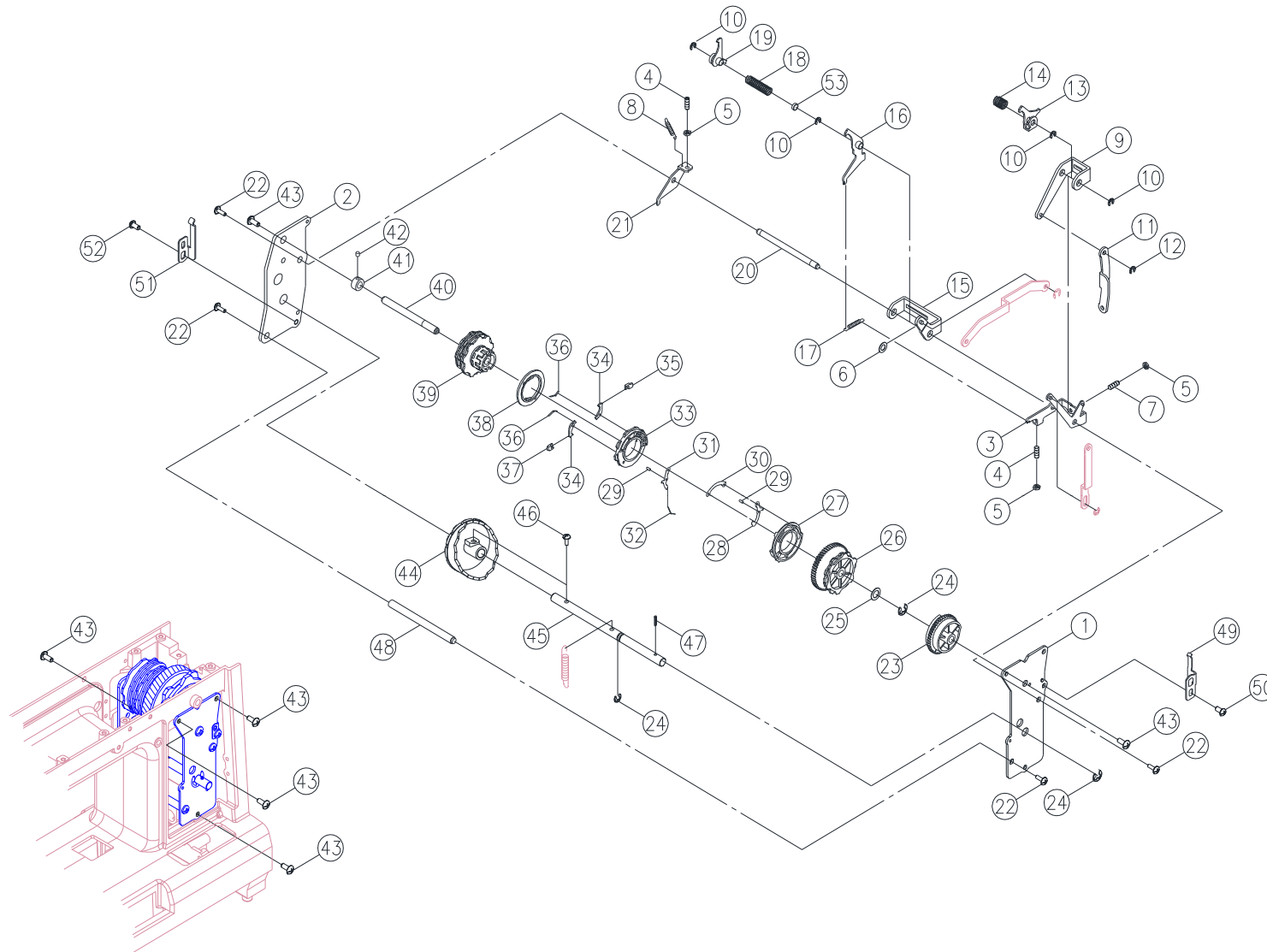


## A. ARM, ARM SHAFT, THREAD TAKE UP LEVER

NO.	ITEM NO.	NAME	REMARK
1	Q6G0013000	ARM	
2	K82073003	SPRING	
3	K82133006	ADJUSTMENT SCREW	
4	E1A2503002	ADJUSTMENT FREE ARM BASE CUSHION RUBBER	
5	Q6B0643000	ARM SHAFT	
6	H1A0473000	ARM SHAFT BALANCE	
7	004240223	SET SCREW (M4×6C)	
8	003043524	ARM SHAFT BALANCE PIN (φ3.5×24)	
9	004400080	ENDURE ATTRITION WASHER(φ10.2×φ15×0.5)	
10	R10293000	ARM SHAFT BUSING	
11	R10313000	ARM SHAFT COLLAR	
12	004250203	SET SCREW (M5×5C)	
13	H1A0403000	ARM SHAFT SPROCKET	
14	003043018	SPRING PIN (φ3×18)	
15	003010093	E-RING (ETW-9)	
16	0074200001	MOTOR DRIVE BELT	
17	K6A0053000	ARM SHAFT WORM	
18	004240503	SET SCREW (M4×4C)	
19	003043028	SPRING PIN (φ3×28)	
20	D5A0583000	ARM SHAFT COLLAR	
21	D5A0573003	ARM SHAFT CLUTCH ANNULUS SPRING	
22	H1A0103000	ARM SHAFT DRIVER BELT PULLEY	
23	003010082	E-RING (ETW-8)	
24	003043030	SPRING PIN (φ3×30)	
25	V60113003	ARM SHAFT BUSHING HOLDER PLATE	
26	004240106	SET SCREW (M4×8A)	
27	Q6A0465000	THREAD TAKE UP LEVER	
28	E1A2653000	THREAD TAKE UP LEVER SUPPORTER	
29	003010036	E-RING (ETW-3)	
30	V60223003	THREAD TAKE UP LEVER SUPPORTER SHAFT	
31	Q6A0443000	ARM SHAFT BALANCE PIN COMPLETE	
32	0044000020	ENDURE ATTRITION WASHER (φ6.2×φ12×0.25)	

NO.	ITEM NO.	NAME	REMARK
33	H13093003	SET WASHER	
34	00750602M5	MOTOR DRIVE BELT	
35	Q4GD043213	HAND WHEEL	
36	Q6A0444000	THREAD TAKE UP LEVER COMPLETE	

B. PATTERN CAM CONTACT PLATE\_FOR 3342

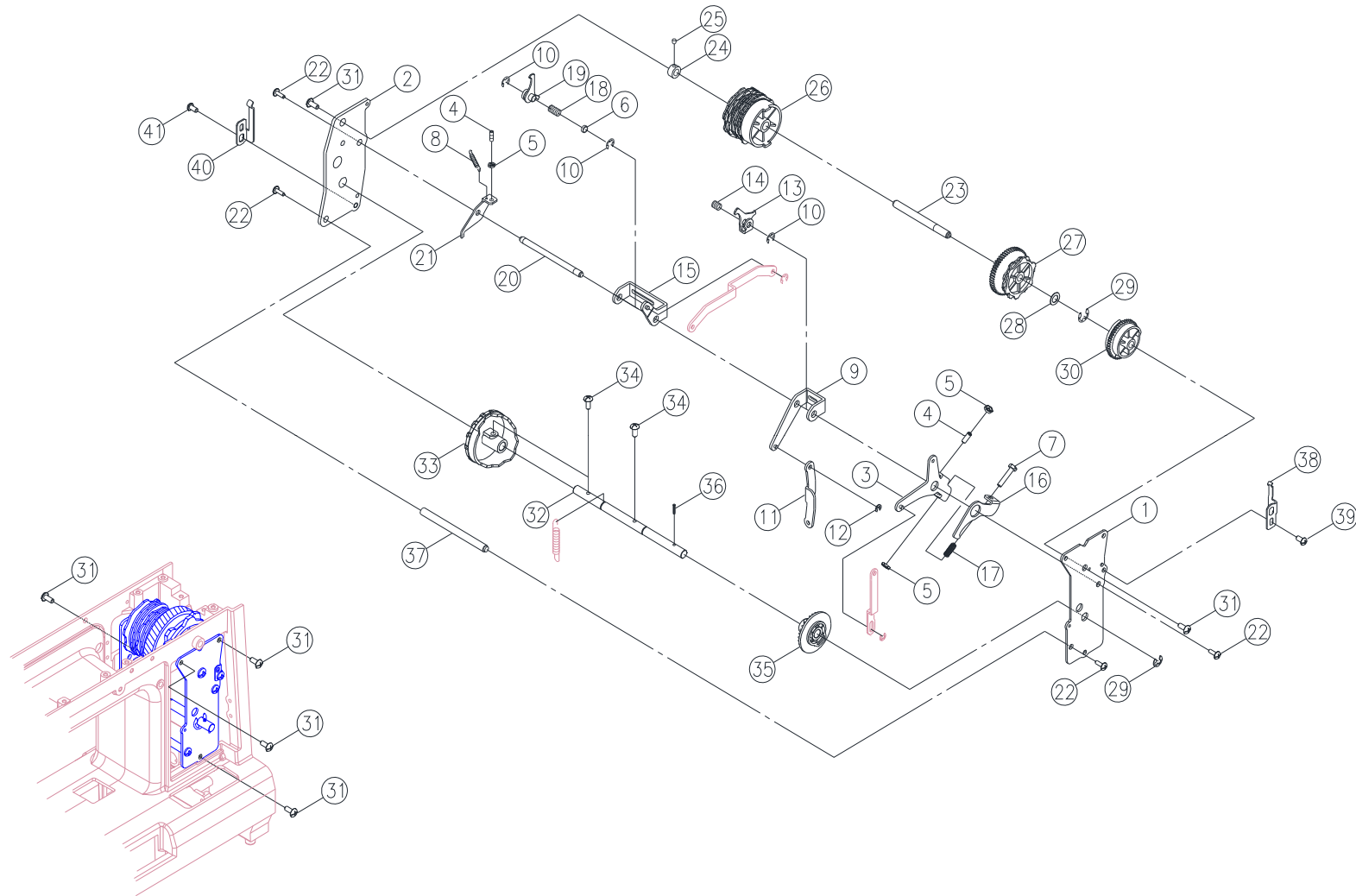


## B. PATTERN CAM CONTACT PLATE\_FOR 3337.3342

NO.	ITEM NO.	NAME	REMARK
1	Q6A0193003	PATTERN CAM CONTACT PLATE (FRONT)	
2	K6A0223003	PATTERN CAM CONTACT PLATE (BACK)	
3	K6A0463003	BH ADJUST CRANK	
4	004241093	SET SCREW (M4×0.7 L9)	
5	004840106	SET NUT (ALN-4)	
6	004300333	WASHER (φ6.7×φ12×0.5)	
7	004240633	SET SCREW (M4×0.7 L12)	
8	K6A0883003	ZIGZAG RELEASE PLATE SPRING	
9	Q6A0215003	SS CAM CONTACT SUPPORTER COMPLETE	
10	003010056	E-RING (ETW-5)	
11	Q6A0473003	FEED ROCK SHAFT	
12	003010036	E-RING (ETW-3)	
13	K6A0443003	SS CAM CONTACT	
14	V60773003	SS CAM CONTACT SPRING	
15	Q6A0203003	ZIGZAG CAM CONTACT SUPPORTER	FOR 3342
	Q4A0033003	ZIGZAG CAM CONTACT SUPPORTER	FOR 3337
16	K6A0473003	BH FEED CRANK	
17	E1A0973003	BH FEED CRANK SPRING	
18	K6A0373003	ZIGZAG CAM CONTACT SPRING	
19	K6A0403003	ZIGZAG CAM CONTACT	
20	K6A0383000	ZIGZAG CAM CONTACT SUPPORTER SHAFT	
21	K6A0423003	ZIGZAG RELEASE PLATE	
22	004230286	SET SCREW (M3×8B)	
23	K6B0033000	FEED REGULATOR CAM	
24	003010063	E-RING (ETW-6)	
25	004300863	WASHER(φ8.2×φ14×0.5)	FOR 3337
	004300226	WASHER(φ8.2×φ16×1.0)	FOR 3342
26	K6A0253000	SS CAM	
27	K6A0273000	BH FEED REGULATOR CAM	
28	K6A0283002	BH CLUTCH CONTACT A	
29	E1A0733000	BH CLUTCH SHAFT	
30	K6A0303002	BH CLUTCH LEVER	

NO.	ITEM NO.	NAME	REMARK
31	K6A0293002	BH CLUTCH CONTACT B	
32	E1A0773003	BH CLUTCH SPRING PLATE	
33	K6A0323000	BH CAM	
34	K6A0333002	BH CONTACT	
35	K6A0353000	BH SLIDE BLOCK R	
36	K6A0363000	BH CONTACT SPRING PLATE	
37	K6A0343000	BH SLIDE BLOCK L	
38	K6A0313000	STRAIGHT STITCH CAM	
39	K6A0263000	PATTERN CAM	
40	K6A0233003	PATTERN CAM SHAFT	
41	H11943003	PATTERN CAM SHAFT COLLAR	
42	004240503	SET SCREW (M4×4C)	
43	004240106	SET SCREW (M4×8A)	
44	K6A0493000	PATTERN SELECTOR CAM	FOR 3342
	Q4A0043000	PATTERN SELECTOR CAM	FOR 3337
45	Q6A0233003	PATTERN SELECTOR CAM SHAFT	
46	004240396	SET SCREW (M4×10)	
47	003042516	SPRING PIN (φ2.5×16)	
48	Q6A0243003	PATTERN CAM CONTACT SUPPORTER SHAFT	
49	K6A0543003	FEED REGULATOR FIX PLATE	
50	004240012	SET SCREW (M4×4B)	
51	K6E0423003	PATTERN FIX SPRING PLATE	
52	004240676	SET SCREW (M4×5B)	
53	K6B0053006	SPRING PEDESTAL	

B. PATTERN CAM CONTACT PLATE\_FOR 3333



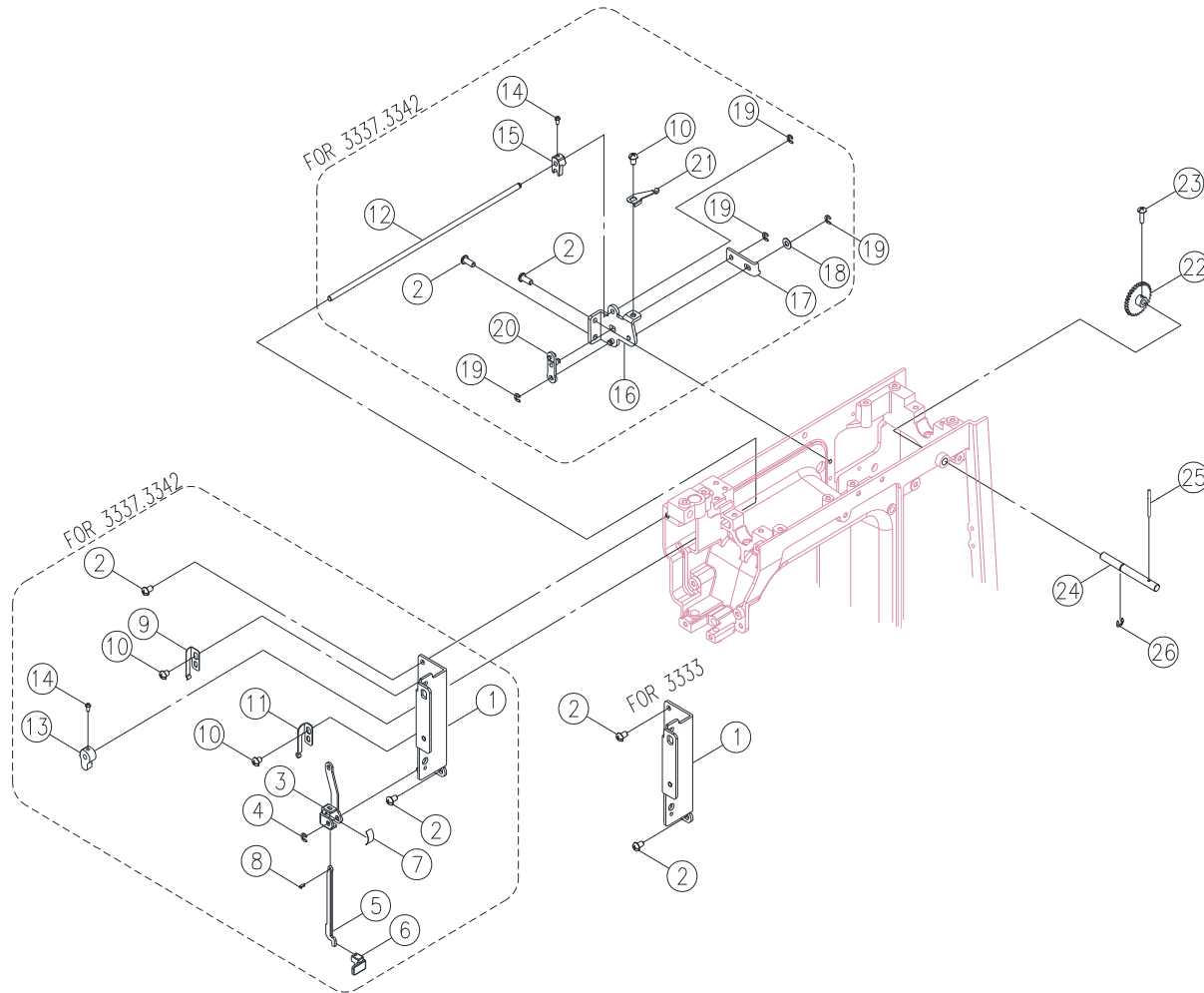
## B. PATTERN CAM CONTACT PLATE\_FOR 3333

NO.	ITEM NO.	NAME	REMARK
1	Q6A0193003	PATTERN CAM CONTACT PLATE (FRONT)	
2	K6A0223003	PATTERN CAM CONTACT PLATE (BACK)	
3	Q6A5033003	FEED ADJUST CRANK	
4	004241093	SET SCREW (M4×0.7 L9)	
5	004840106	NUT ( ALN-4 )	
6	K6B0053006	SPRING PEDESTAL	
7	004240706	SET SCREW (M4×20)	
8	K6A0883003	ZIGZAG RELEASE PLATE SPRING	
9	Q6A0215003	SS CAM CONTACT SUPPORTER COMPLETE	
10	003010056	E-RING ( ETW-5 )	
11	Q6A0473003	FEED ROCK SHAFT	
12	003010036	E-RING (ETW-3)	
13	K6A0443003	SS CAM CONTACT	
14	V60773003	SS CAM CONTACT SPRING	
15	Q6A0203003	ZIGZAG CAM CONTACT SUPPORTER	
16	Q6A5043003	BH FEED CRANK	
17	V60813003	BH SPRING	
18	K6A0373003	ZIGZAG CAM CONTACT SPRING	
19	K6A0403003	ZIGZAG CAM CONTACT	
20	K6A0383000	ZIGZAG CAM CONTACT SUPPORTER SHAFT	
21	K6A0423003	ZIGZAG RELEASE PLATE	
22	004230286	SET SCREW (M3×8 B)	
23	K6A0233003	PATTERN CAM SHAFT	
24	H11943003	PATTERN CAM SHAFT COLLAR	
25	004240503	SET SCREW (M4×4 C)	
26	Q6A5023000	PATTERN CAM	
27	K6A0253000	SS CAM	
28	004300863	WASHER(φ8.2×φ14×0.5)	
29	003010063	E-RING ( ETW-6 )	
30	K6B0033000	FEED REGULATOR CAM	
31	004240106	SET SCREW (M4×8 A)	
32	Q4G5033003	PATTERN SELECTOR CAM SHAFT	

NO.	ITEM NO.	NAME	REMARK
33	K4D5023000	PATTERN SELECTOR CAM	
34	004240396	SET SCREW (M4×10)	
35	Q6A5073000	BH PATTERN SELECTOR CAM	
36	003042516	SPRING PIN (φ2.5×16)	
37	Q6A0243003	PATTERN CAM CONTACT SUPPORTER SHAFT	
38	K6A0543003	FEED REGULATOR FIX PLATE	
39	0042400012	SET SCREW (M4×4 B)	
40	K6E0423003	PATTERN FIX SPRING PLATE	
41	004240676	SET SCREW(M4×5 B)	



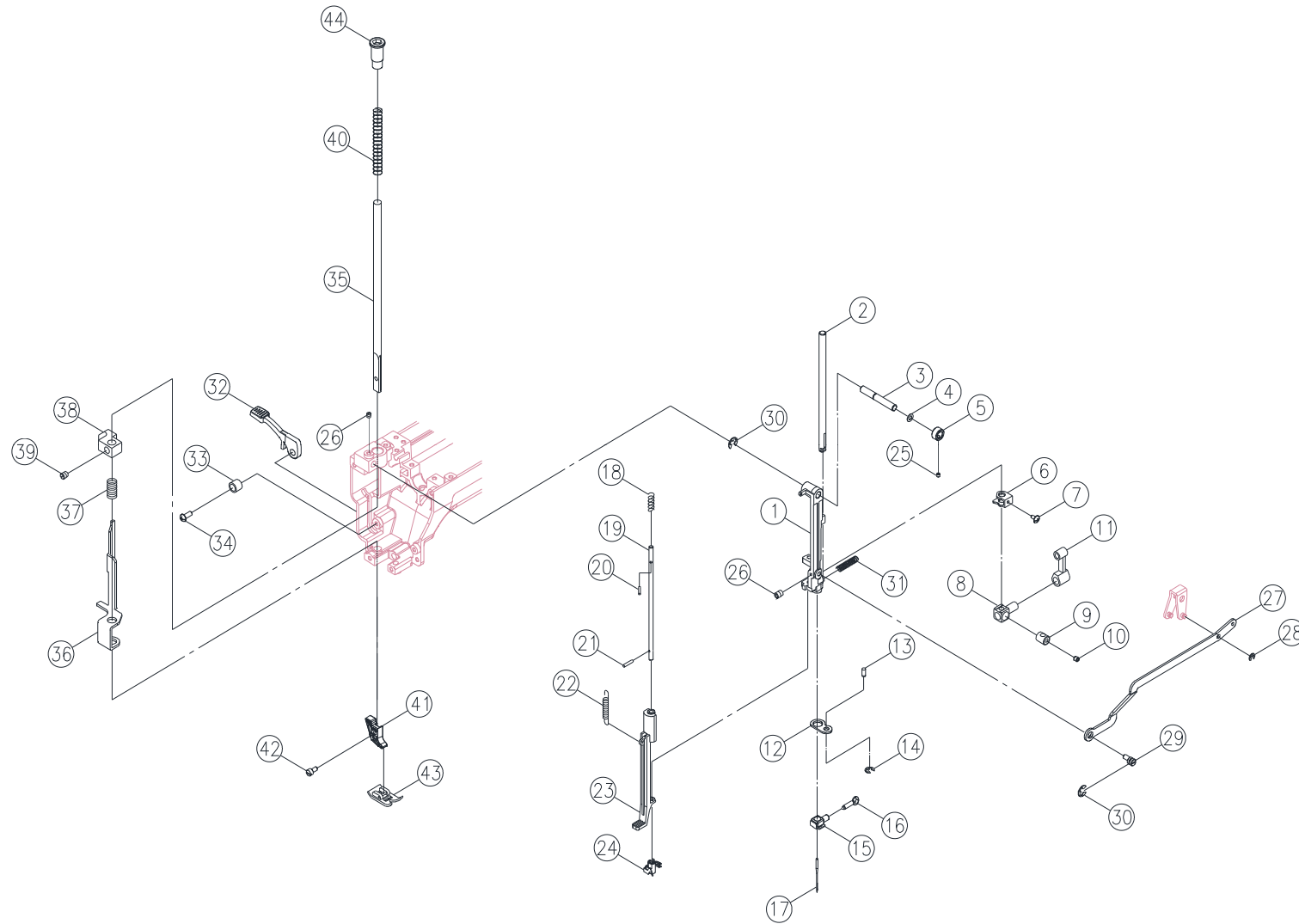
C. BH LEVER PLATE, BH SELECTOR PLATE, FEED REGULATOR DIAL SHAFT



## C. BH LEVER PLATE, BH SELECTOR PLATE, FEED REGULATOR DIAL SHAFT

NO.	ITEM NO.	NAME	REMARK
1	Q6G0055000	BH LEVER PLATE COMPLETE	FOR 3337.3342
	Q6G0053006	BH LEVER PLATE	FOR 3333
2	004240056	SET SCREW (M4×6B)	
3	K6A0923003	BH LEVER CRANK	FOR 3337.3342
4	003010033	E-RING (ETW-3)	
5	K6A0943002	BH LEVER	FOR 3337.3342
6	Q4GA043213	BH LEVER BUTTON	FOR 3337.3342
7	K6A0933000	BH LEVER SPRING PLATE	FOR 3337.3342
8	003041605	SPRING PIN (φ1.6×5)	FOR 3337.3342
9	E1A1523003	BH POSITIONED PLATE	FOR 3337.3342
10	004240676	SET SCREW (M4×5B)	
11	E1A1533003	BH POSITIONED PLATE	FOR 3337.3342
12	E1A1433003	BH SELECT CRANK SHAFT	FOR 3337.3342
13	E1A1513000	BH MOVEMENT CRANK	FOR 3337.3342
14	004230056	SET SCREW (M3×5B)	
15	K6A0763000	BH SELECT CRANK	FOR 3337.3342
16	K6A0703003	BH SELECTOR PLATE	FOR 3337.3342
17	K6A0723003	BH SLIDE PLATE	FOR 3337.3342
18	004300076	WASHER (φ4.2×φ9×0.5 )	
19	003010036	E-RING (ETW-3)	
20	K6A0733003	BH SELECTOR PLATE	FOR 3337.3342
21	K6A0773003	BH CAM PLATE	FOR 3337.3342
22	P3A0903000	FEED REGULATOR GEAR	
23	004230211	SET SCREW (M3×8A)	
24	Q6A0263003	FEED REGULATOR DIAL SHAFT	
25	003042516	SPRING PIN (φ2.5×16)	
26	003010053	E-RING (ETW-5)	

## D. NEEDLE BAR SUPPORTER, PRESSER BAR

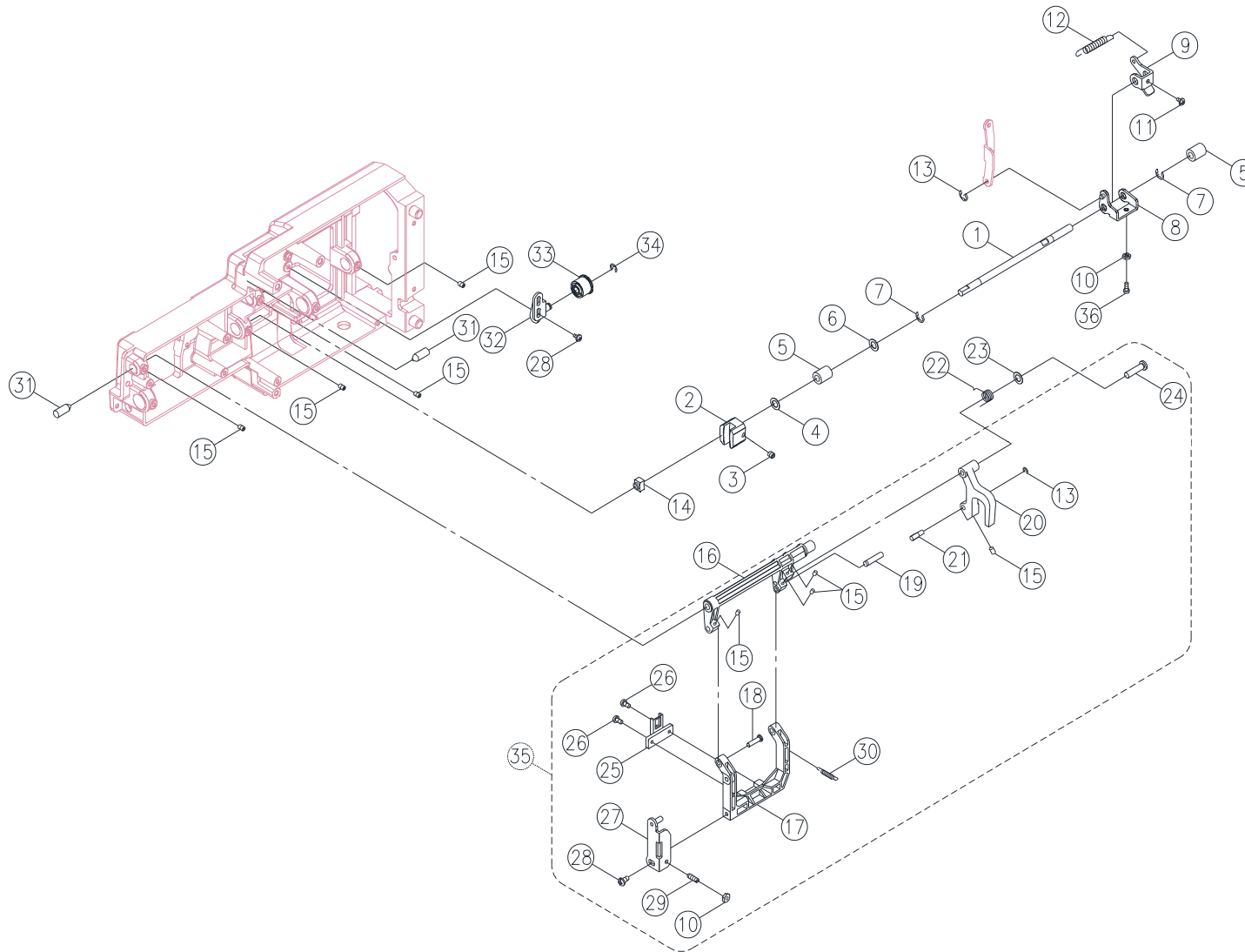


## D. NEEDLE BAR SUPPORTER, PRESSER BAR

NO.	ITEM NO.	NAME	REMARK
1	H7A0383000	NEEDLE BAR SUPPORTER	
2	V70273000	NEEDLE BAR	
3	H7A0393000	NEEDLE BAR SUPPORTER PIN	
4	004300186	WASHER ( $\phi 6.2 \times \phi 12 \times 0.5$ )	
5	V880413003	COLLAR	
6	M70073002	THREADING STOPPER	
7	004230016	SET SCREW (M3×6A)	
8	H10253000	NEEDLE BAR BRACKET (1)	
9	H10263000	NEEDLE BAR BRACKET (2)	
10	004240503	SET SCREW (M4×4C)	
11	F4A3343000	NEEDLE BAR CRANK ROD	
12	H7A0773003	NEEDLE BAR SUPPORTER	
13	E1A0203003	NEEDLE BAR SUPPORTER PLATE PIN	
14	003010043	E-RING (ETW-4)	
15	TA11033002	NEEDLE CLAMP	
16	G10176002	NEEDLE CLAMP SET SCREW	
17	006176008	NEEDLE (#14)	
18	R12793003	AUTO THREADER SHAFT SPRING	
19	Q6G0133000	THREADING SHAFT	
20	003042014	AUTO THREADER SHAFT PIN ( $\phi 2 \times 14$ )	
21	M70043000	SHAFT PIN ( $\phi 2 \times 6$ )	
22	M70093000	AUTO THREADED LEVER SPRING	
23	R10083000	AUTO THREAD LEVER	
24	Q6G0145000	AUTO THREADER	
25	004230433	SET SCREW (M3×3C)	
26	004240033	SET SCREW (M4×5C)	
27	Q4G0023003	NEEDLE BAR DRIVING ROD	FOR 3333.3337
	Q6G0093003	NEEDLE BAR DRIVING ROD	FOR 3342
28	003010036	E-RING (ETW-3)	
29	E1A2433000	NEEDLE BAR DRIVING ROD PIN	
30	003010053	E-RING (ETW-5)	
31	H50583003	NEEDLE BAR SUPPORTER SPRING	

NO.	ITEM NO.	NAME	REMARK
32	K6A1193000	PRESSER BAR LIFTER LEVER	
33	V60163000	PRESSER BAR LIFTER LEVER SCREW WASHER	
34	004240046	SET SCREW (M4×10B)	
35	V70153002	PRESSER BAR	
36	Q6B0153003	TENSION LEVER LIFTER	
37	H10723003	TENSION LEVER LIFTER SPRING	
38	H10533002	PRESSER BAR BRACKET	
39	004260023	SET SCREW (M6×5C)	
40	V70163003	PRESSER BAR SPRING	
41	V880643000	SHANK COMPLETE	
42	004106221	SET SCREW (9/64×40×7.5)	
43	006918008	ALL PURPOSE FOOT	
44	VGJ0533213	PRESSER BAR REGULATING SCREW	

## E.FEED REGULATING, FEED ROCK SHAFT, BELT ADJUSTING PLATE

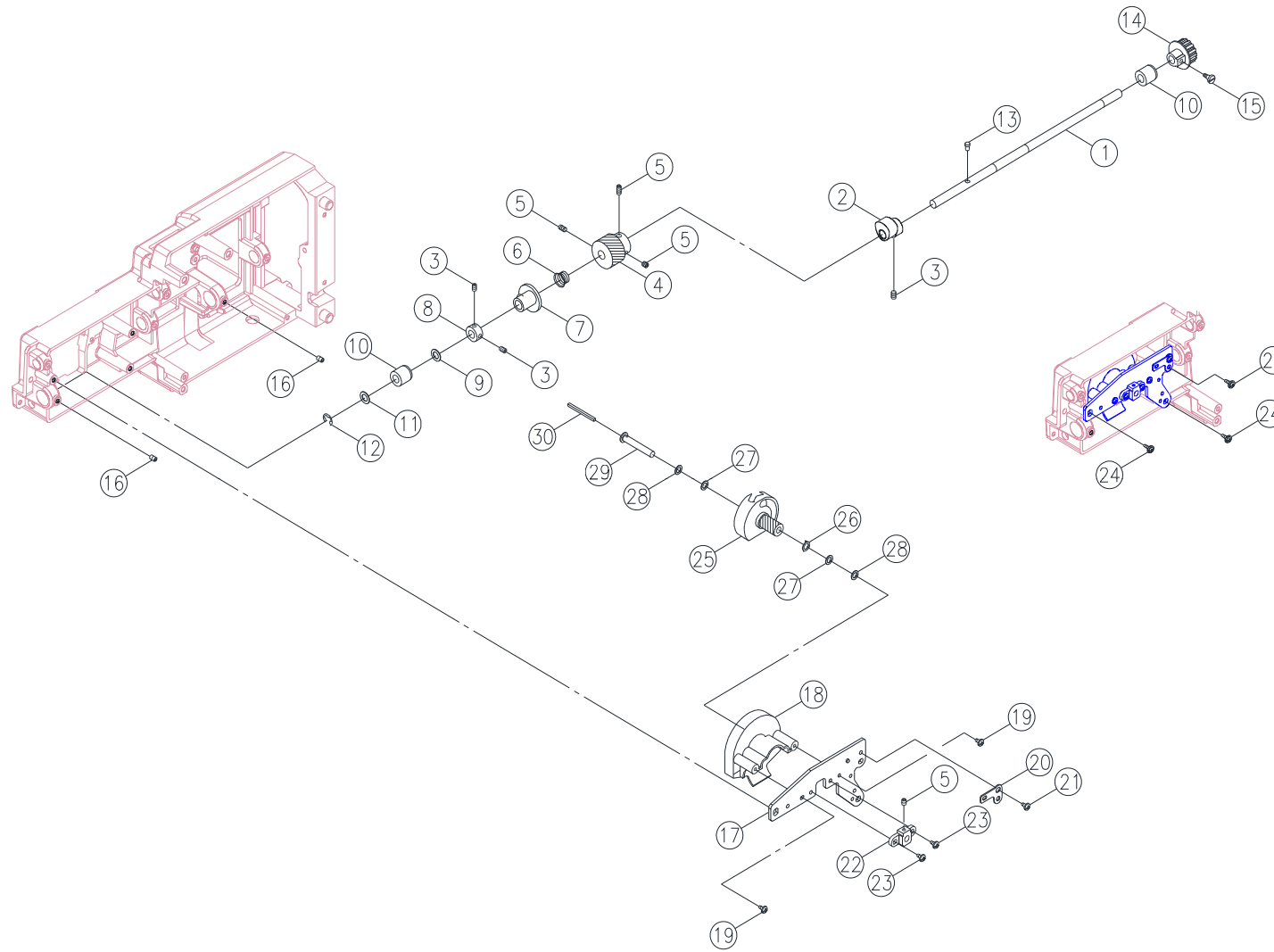


## E.FEED REGULATING, FEED ROCK SHAFT, BELT ADJUSTING PLATE

NO.	ITEM NO.	NAME	REMARK
1	Q6A0403000	FEED REGULATING SHAFT	
2	F30353000	FEED REGULATING	
3	004240503	SET SCREW (M4×4C)	
4	004400570	WASHER(φ6.7×φ11.8×0.5)	
5	R11443000	FEED ROCK BUSHING	
6	004300123	WASHER(φ6.7×φ12×1)	
7	003011052	E-RING (ETW-5)	
8	Q6A0125003	FEED REGULATING CRANK COMPLETE	
9	E1A0493003	FEED CRANK	
10	004840106	SET NUT (ALN-4)	
11	004240046	SET SCREW (M4×10B)	
12	F4A3313003	FEED REGULATING CRANK SPRING	
13	003010036	E-RING (ETW-3)	
14	F30333000	FEED REGULATING BLOCK	
15	004240223	SET SCREW (M4×6C)	
16	P3A0513000	FEED ROCK SHAFT	
17	P3A0523000	FEED DOG SUPPORTER	
18	P3A0533003	FEED DOG SHAFT	
19	E1A0403000	FEED ROCK FRAME SHAFT (2)	
20	P3A0573000	FEED ROCK CRANK	
21	P3A0593000	REGULATING BLOCK SHAFT	
22	P3A0933003	FEED ROCK CRANK SPRING	
23	004300733	WASHER (φ5.2×φ12×1)	
24	P3A0583003	FEED ROCK SHAFT	
25	H1A0363000	FEED DOG	
26	004235016	SET SCREW (M3.5×8A)	
27	P3A0553002	FEED LIFTING ROCK CRANK	
28	004240106	SET SCREW (M4×8A)	
29	004241093	SET SCREW (M4×0.7 L9)	
30	H1G0443003	FEED DOG SPRING	
31	P3A0613000	FEED CRANK SHAFT	
32	H1A0433003	BELT ADJUSTING PLATE	

NO.	ITEM NO.	NAME	REMARK
33	H1A0453000	BELT ADJUSTING PLATE PULLEY	
34	003010043	E-RING (ETW-4)	
35	H1E0324000	FEED ROCK SHAFT COMPLETE	
36	004240136	SET SCREW (M4×12B)	

F. LOWER SHAFT, ROTARY HOOK

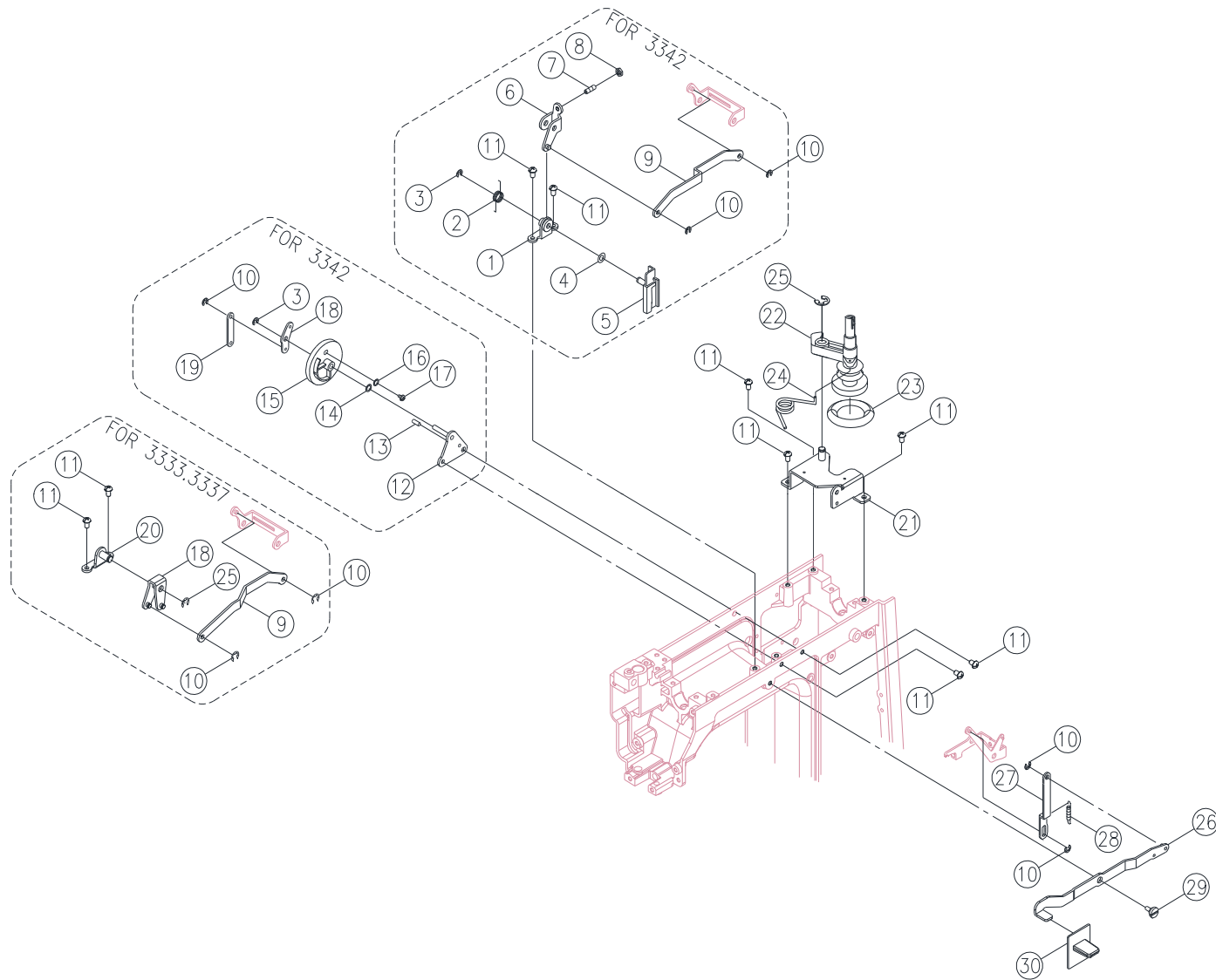


## F. LOWER SHAFT, ROTARY HOOK

NO.	ITEM NO.	NAME	REMARK
1	Q6A0083000	LOWER SHAFT	
2	H1A1503000	FEED ROCK CAM	
3	004240503	SET SCREW (M4×4C)	
4	P3A1133000	LOWER SHAFT GEAR	
5	004240033	SET SCREW (M4×5C)	
6	P3A0443003	LOWER SHAFT SPRING	
7	P3A0423000	FEED LIFTING ROCK CAM	
8	V11553003	LOWER SHAFT COLLAR	
9	004400830	ENDURE ATTRITION WASHER	
10	E1A0283000	LOWER SHAFT BUSHING	
11	004300936	WASHER (φ8.2×φ12×0.5)	
12	003010063	E-RING (ETW-6)	
13	P3A0433003	FEED LIFTING ROCK COM PIN	
14	H1A0463000	LOWER SHAFT BELT PULLEY	
15	004250203	SET SCREW (M5×5C)	
16	004240223	SET SCREW (M4×6C)	
17	H1A0383006	ROTARY HOOK HOLDER	
18	E1A0563582	NEEDLE PLATE COVER	
19	004230066	SET SCREW (M3×12)	
20	P3A0493003	ROTARY HOOK HOLDER POSITIONED PLATE	
21	004240056	SET SCREW (M4×6B)	
22	E1A0543000	ROTARY HOOK SUPPORTER	
23	004240106	SET SCREW (M4×8A)	
24	004240586	SET SCREW (M4×8)	
25	Q6A0913000	SHUTTLE HOOK HOLDER	
26	NB0683000	BOBBIN SHAFT WASHER (3)	
27	004400840	ENDURE ATTRITION WASHER	
28	NB0673000	BOBBIN SHAFT WASHER (2)	
29	E1A2033000	BOBBIN SHAFT	
30	NB0693000	BOBBIN SHAFT OIL CLOTH	



G. ZIGZAG REGULATOR, BOBBIN WINDER, CLUTCH ROD, REVERSE LEVER

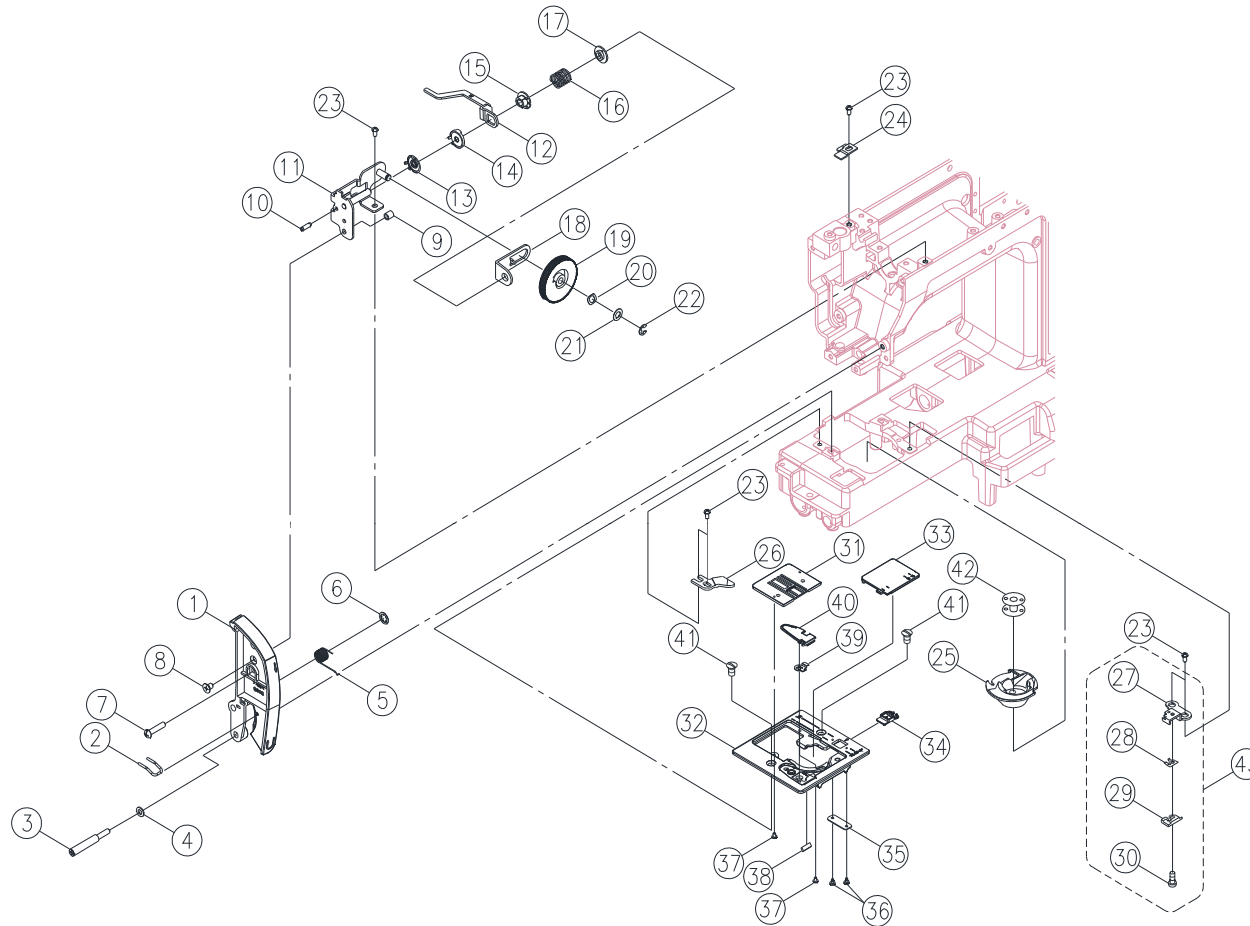


TAKE CARE THE CIRCLED PARTS FOR THE MODEL YOU WANT.

## G. ZIGZAG REGULATOR, BOBBIN WINDER, CLUTCH ROD, REVERSE LEVER

NO.	ITEM NO.	NAME	REMARK
1	E1A1283003	ZIGZAG WIDTH REGULATING CAM PLATE	FOR 3342
2	E1A1333003	ZIGZAG WIDTH SPRING	FOR 3342
3	003010043	E-RING (ETW-4)	
4	004300713	WASHER ( $\phi 5.2 \times \phi 10 \times 0.2$ )	
5	E1A1303002	ZIGZAG WIDTH REGULATING CAM	FOR 3342
6	Q6A0313003	ZIGZAG REGULATOR CRANK	FOR 3342
7	004240633	SET SCREW (M4×0.7 L12)	
8	004840106	SET NUT (ALN-4)	
9	Q6A0323003	ROD	FOR 3342
	Q4A0103003	ROD	FOR 3333.3337
10	003010036	E-RING (ETW-3)	
11	004240056	SET SCREW (M4×6B)	
12	K6B0133006	ZIGZAG WIDTH DIAL PLATE	FOR 3342
13	003043010	SPRING PIN ( $\phi 3 \times 10$ )	
14	004500670	WASHER	
15	Q6GW013213	ZIGZAG WIDTH DIAL	FOR 3342
16	004300076	WASHER ( $\phi 4.2 \times \phi 9 \times 0.5$ )	
17	004240046	SET SCREW (M4×10B)	
18	K6B0143006	ZIGZAG WIDTH CRANK	FOR 3342
	Q4A0093003	ZIGZAG WIDTH CRANK	FOR 3333.3337
19	K6B0163003	ZIGZAG WIDTH CRANK ROD	FOR 3342
20	Q4A0063003	ZIGZAG WIDTH CRANK PLATE	FOR 3333.3337
21	K6B0095006	BOBBIN WINDER FRAME PLATE COMPLETE	
22	K6A0555000	BOBBIN WINDER CRANK COMPLETE	
23	F20213000	BOBBIN WINDER RUBBER PULLEY	
24	K6A0573003	BOBBIN WINDER CRANK SPRING	
25	003010053	E-RING (ETW-5)	
26	K6A0853006	REVERSE LEVER	
27	K6A0863003	REVERSE ROD	
28	M70093000	AUTO THREADED LEVER SPRING	
29	004240883	SET SCREW	
30	Q6GZ043213	REVERSE BUTTON	

H. DIAL TENSION, ROTARY HOOK PLATE, NEEDLE PLATE

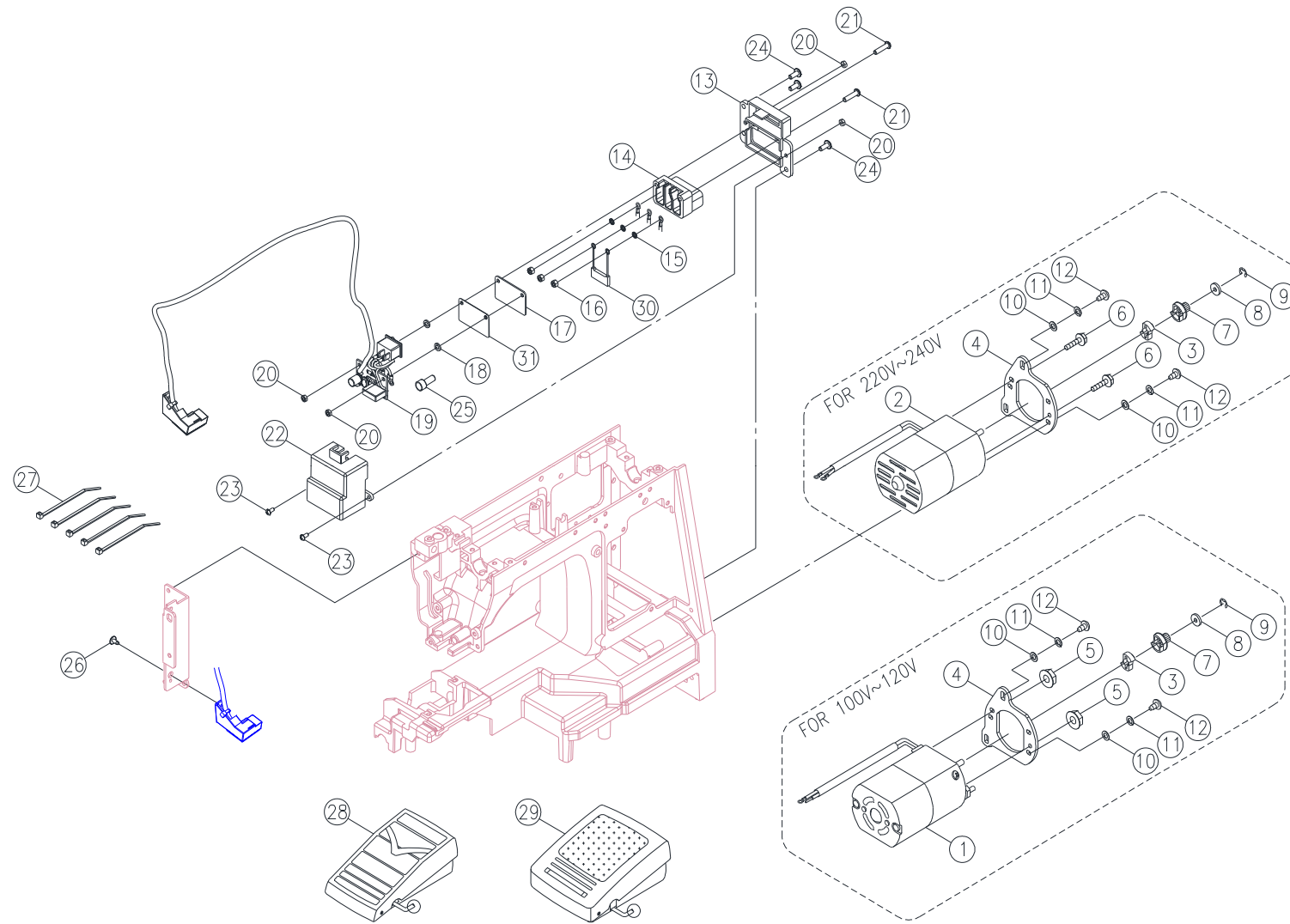


## H. DIAL TENSION, ROTARY HOOK PLATE, NEEDLE PLATE

NO.	ITEM NO.	NAME	REMARK
1	Q4GA053213	DIAL TENSION SUPPORTER PLATE COVER	
2	P3A1353001	THREAD GUIDE	
3	004241412	SET SCREW (M4×0.7 L42)	
4	004300136	WASHER (φ4.2×φ8×0.8)	
5	V60303000	DIAL TENSION SPRING	
6	003020053	CS-RING (CSTW-5)	
7	004240746	SET SCREW (M4×18 B)	
8	004240176	SET SCREW (M4×6)	
9	H11103001	DIAL TENSION GUIDE SPRING TUBE	
10	003043010	SPRING PIN (φ3×10)	
11	K6B0615000	DIAL TENSION SUPPORTER PLATE COMPLETE	
12	K6D0293006	DIAL TENSION WAFT PLATE	
13	J30423001	DIAL TENSION DISC (1)	
14	E1A2333001	DIAL TENSION DISC	
15	D6B0623000	DIAL TENSION SPRING REGULATOR	
16	V880593003	DIAL TENSION SPRING	
17	K50193000	DIAL TENSION REGULATOR	
18	K6B0193006	DIAL TENSION SPRING PLATE	
19	K4DD033213	DIAL TENSION KNOB	
20	004500360	WASHER (WW-5)	
21	004300713	WASHER (φ5.2×φ10×0.5)	
22	003010043	E-RING (ETW-4)	
23	004240056	SET SCREW(M4×6 B)	
24	V880583003	TENSION LEVER REGULATING PLATE	
25	Q6G0155000	SHUTTLE HOOK COMPLETE	
26	E1A0593002	ROTARY HOOK PLATE (2)	
27	E1A0603002	ROTARY HOOK PLATE SPRING (2)	
28	F30893000	ROTARY HOOK PLATE SPRING (1)	
29	F30883000	SET SCREW (M2×2.5)	
30	004220056	NEEDLE PLATE	
31	Q6G0043004	NEEDLE PLATE SUPPORTER	
32	Q6G0063000	NEEDLE PLATE SUPPORTER	

NO.	ITEM NO.	NAME	REMARK
33	Q4GA033031	NEEDLE PLATE COVER	
34	Q6G0113582	NEEDLE PLATE COVER OPEN	
35	Q6G0073000	NEEDLE PLATE COVER BRACKET	
36	0042200046	SET SCREW (M2×3.5A)	
37	0042200016	SET SCREW (M2×3)	
38	V630593000	THREAD CUTTER	
39	H7B0073000	PRESS PLATE	
40	H7B0063582	THREAD GUIDE STAND	
41	004240851	SET SCREW (M4×6)	
42	006084009	BOBBIN	
43	E1A0584000	ROTARY HOOK PLATE (2) COMPLETE	

I. MOTOR COMPLETE, FOOT CONTROLLER, RECEPTACLE HOLDER



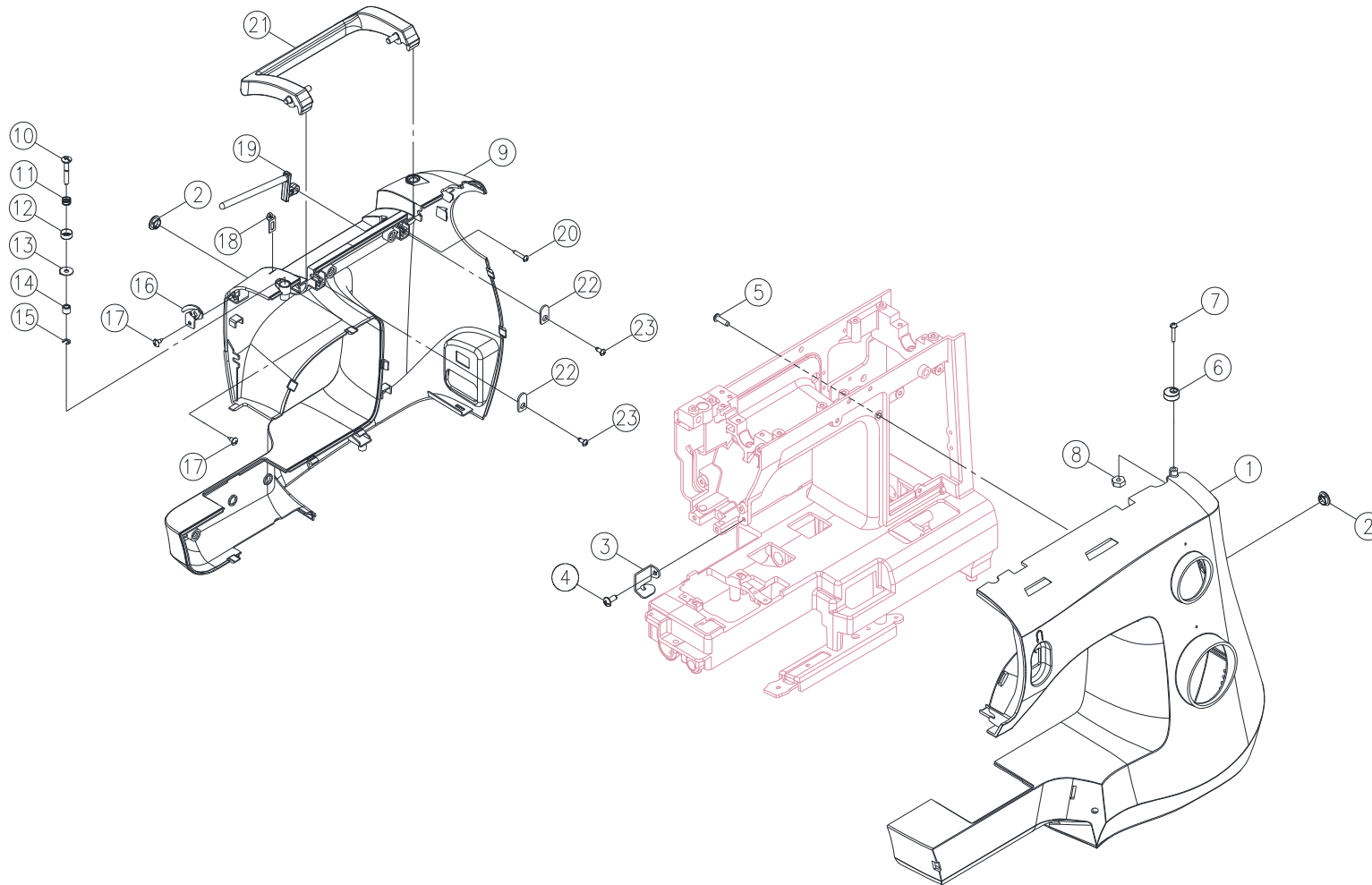
ALL VOLTAGE APPLICATION & SPEC. ,PLEASE CHECK NEXT PAGE.

## I. MOTOR COMPLETE, FOOT CONTROLLER, RECEPTACLE HOLDER

NO.	ITEM NO.	NAME	REMARK
1	001V884016	MOTOR	FOR 120V / US
2	001164209	MOTOR	FOR 230V / EU.
	001V881003	MOTOR	FOR 240V / U.K
3	008059302	CUSHION RUBBER	
4	Q6A0333006	MOTOR BRACKET	
5	004840131	SET NUT (M4 T=5.5)	FOR 120V
6	004241428	SET SCREW (M4×10.2)	FOR 220V-240V
7	Q6A0423000	BELT WHEEL	
8	002145029	MOTOR FEED REGULATOR COLLAR	
9	003010036	E-RING (ETW-3)	
10	004300306	WASHER (φ5.4×φ10×0.9)	
11	004600296	SPRING WASHER (φ5.2×φ9×1)	
12	004250086	SET SCREW (M5×12)	
13	Q6A0603000	RECEPTACLE HOLDER	
14	002624129	RECEPTACLE	
15	003012061	WASHER	
16	004840120	SET NUT (M3×4)	
17	002621129	CONCERT INSULATION PLATE	
18	0040300013	WASHER	
19	VGJ0575000	LED HOLDER COMPLETE	FOR 120V
	VGJ0565000	LED HOLDER COMPLETE	FOR 220V~240V
20	004830016	NUT (M3 T=2.3)	
21	004230865	SET SCREW(M3×20B)	
22	K6C0423000	RECEPTACLE HOLDER COVER	
23	004230286	SET SCREW (M3×8B)	
24	004240146	SET SCREW (M4×15B)	
25	AA0463000	END TERMED	
26	0042300016	SET SCREW(M3×5)	
27	002027129	CORD CLIP	
28	002V8E4003	FOOT CONTROLLER	FOR 120V / US
29	002V881021	FOOT CONTROLLER	FOR 230V / EU.
	002V881024	FOOT CONTROLLER	FOR 240V / AUS

NO.	ITEM NO.	NAME	REMARK
30	008V4B0001	CONDENSER	FOR 220V-240V
31	Q6D0823031	INSULATING SLICE	FOR 120V / US

## J. FRONT COVER, BACK COVER

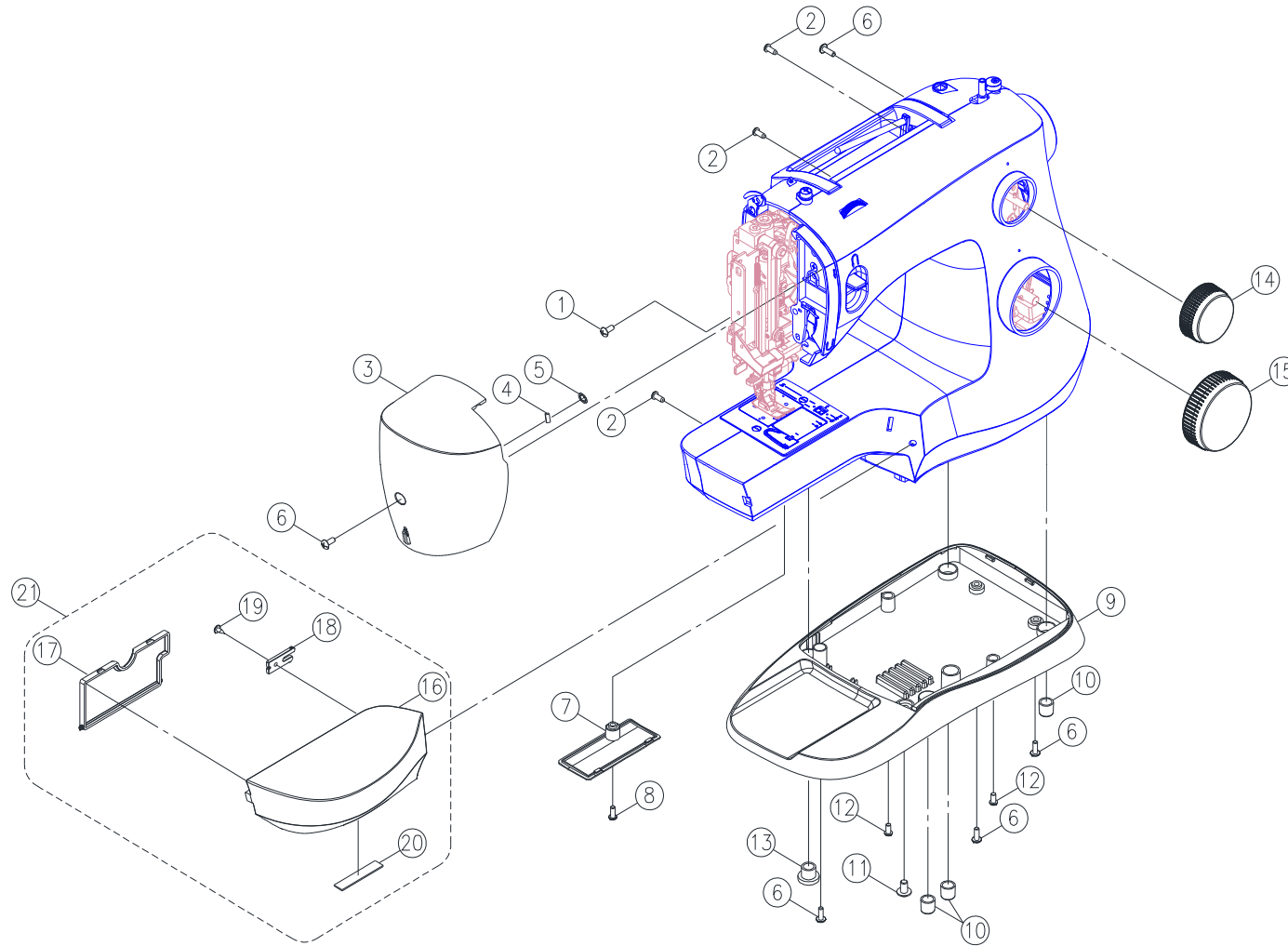


## J. FRONT COVER, BACK COVER

NO.	ITEM NO.	NAME	REMARK
1	Q6GC013213	FRONT COVER	FOR 3342
	Q4GC023213	FRONT COVER	FOR 3337
	Q4GC033213	FRONT COVER	FOR 3333
2	H1FZ143213	CAPS	
3	E1A1883001	ARM TOP COVER THREAD GUIDE PLATE	
4	004240106	SET SCREW (M4×8A)	
5	004240306	SET SCREW (M4×10B)	
6	K6B0393000	BOBBIN WINDER	
7	004106371	SET SCREW (9/64×4 L = 18)	
8	004706013	NUT (9/64×40 T=3)	
9	Q4GB023213	BACK COVER	
10	V610213001	BOBBIN WINDER THREAD GUIDE ADJUSTING	
11	H13153001	BOBBIN WINDER THREAD GUIDE SPRING	
12	H13133001	BOBBIN WINDER SPRING DISC	
13	K6A1253001	BOBBIN WINDER THREAD GUIDE	
14	E1A2353006	SPACER	
15	003010033	E-RING (ETW-3)	
16	Q6G0025000	THREAD GUIDE COMPLETE	
17	004230216	SET SCREW (M3×8.5)	
18	H1B0603001	THREAD GUIDE	
19	V880703213	SPOOL PIN BASE	
20	0042300706	SET SCREW (M3×12.7B)	
21	Q6GZ073213	HANDLE	
22	H13093003	SET WASHER	
23	004230842	SET SCREW (M3×8)	



K. FACE PLATE, FREE ARM FOOT BASE, BED COVER, SEWING TABLE

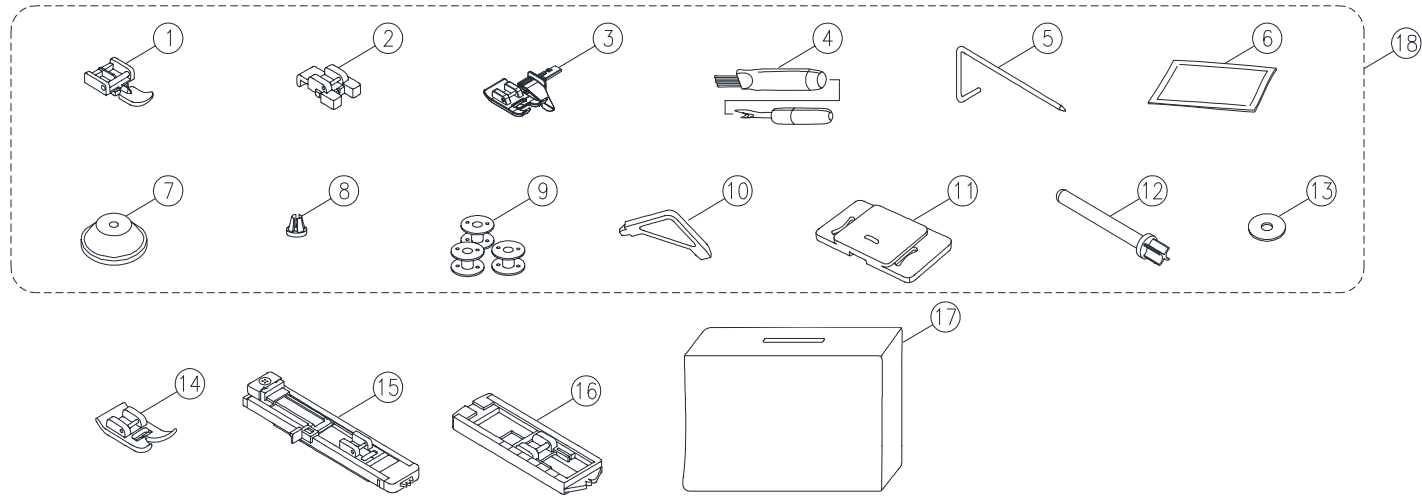


## K. FACE PLATE, FREE ARM FOOT BASE, BED COVER, SEWING TABLE

NO.	ITEM NO.	NAME	REMARK
1	004240106	SET SCREW (M4×8A)	
2	004240306	SET SCREW (M4×10B)	
3	Q4GF023213	FACE PLATE	
4	V630593000	THREAD CUTTER	
5	003020053	CS-RING (CSTW-5)	
6	004241046	SET SCREW (M4×10A)	
7	Q6GZ143213	BED COVER	
8	004240046	SET SCREW (M4×10B)	
9	Q6GZ133213	FREE ARM FOOT BASE	FOR 3333.3337
	Q6GZ133789	FREE ARM FOOT BASE	FOR 3342
10	K6A0063002	FREE ARM BASE CUSHION	
11	004260056	SET SCREW (M6×10)	
12	004240016	SET SCREW (M4×8A)	
13	E1A2503002	ADJUSTMENT FREE ARM BASE CUSHION RUBBER	
14	Q4GR023213	STITCH LENGTH DIAL	
15	Q6GD013213	SELECTOR DIAL	FOR 3342
	Q4GD053213	SELECTOR DIAL	FOR 3337
	Q4GD063213	SELECTOR DIAL	FOR 3333
16	Q6GZ103213	SEWING TABLE BODY	
17	Q6GZ113213	SEWING TABLE BODY COVER	
18	Q6GZ123213	SEWING TABLE PLATE	
19	004230216	SET SCREW (M3×8.5)	
20	Q6G0103000	FELT	
21	Q6GZ104213	SEWING TABLE BODY COMPLETE	

L. ACCESSORIES

# STANDARD ACCESSORIES



## L. ACCESSORIES

STANDARD ACCESSORIES			
NO.	ITEM NO.	NAME	REMARK
1	006905008	ZIPPER FOOT (I)	
2	006914008	BUTTON SEWING FOOT	
3	006H7A0019	ADJUSTABLE GUIDE FOOT	FOR 3337.3342 /US
4	006099008	SEAM RIPPER/ BRUSH	
5	006008001	SEAM GUIDE	
6	006V880010	NEEDLE	
7	R12373213	SPOOL HOLDER (LARGE)	
8	TA10943213	SPOOL HOLDERS (SMALL)	
9	006084009	BOBBIN	
10	006093009	L-SCREWDRIVER	
11	NB1003000	EMBROIDERY PLATE	
12	H3JY013213	SECOND SPOOL PIN	
13	006015009	FELT PAD	
14	006918008	ALL PURPOSE FOOT	
15	006Q6A0150	BUTTONHOLE FOOT	FOR 3337.3342
16	006909008	BUTTONHOLE FOOT	FOR 3333
17	020V8E0001	SOFT COVER COMPLETE	
18	006Q6G0001	ACCESSORY COMPLETE	FOR 3333.3337.3342 /EU
	006Q6G0002	ACCESSORY COMPLETE	FOR 3337.3342 /US
	006Q6G0003	ACCESSORY COMPLETE	FOR 3333 /US

NOTE: WHEN YOU ORDER ANY SPARE PARTS FROM US,  
PLEASE COOPERATE WITH US BY WRITING.

(1) SECTION & SEQUENCE NO.

(2) NAME OF PARTS

(3) VOLTAGE, IF NECESSARY

(4) OTHERS, IF ANY