



SINGER®

M3200-M3205

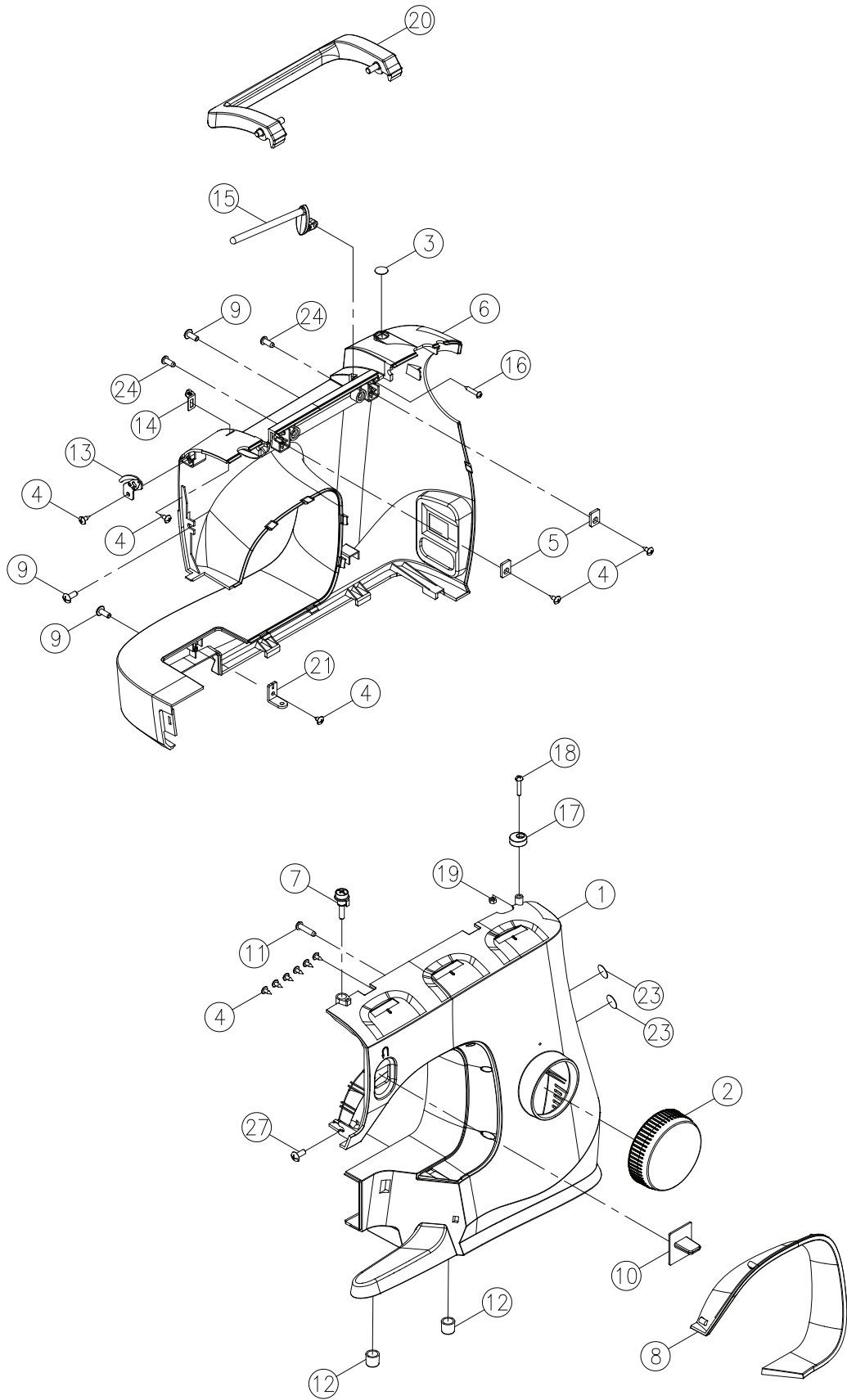
M3300-M3305

M3400-M3405

M3500-M3505

Liste de pièces
Lista de Piezas
Parts List

A



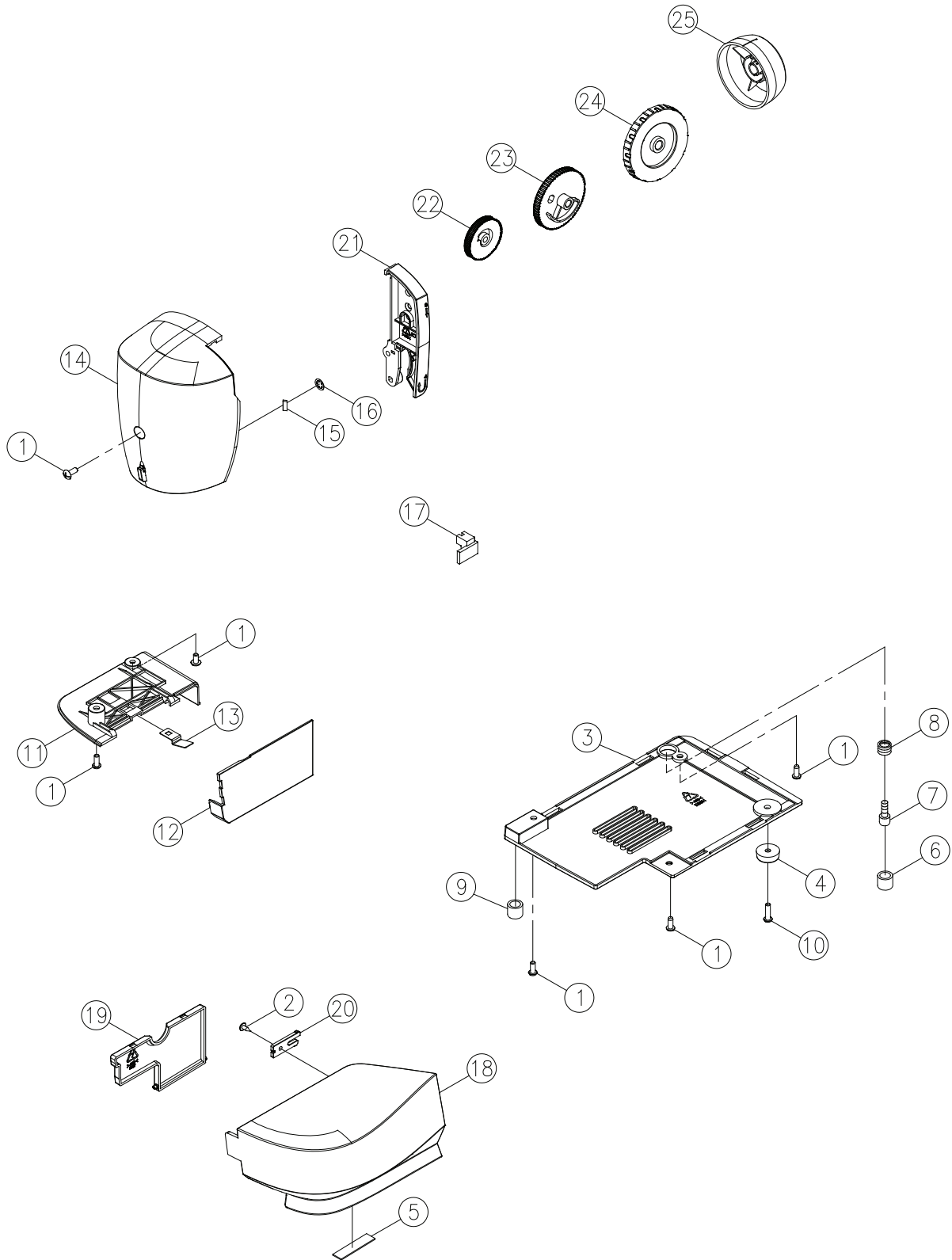
Available parts

Ref No	Part No	Part Name
2	68003594	PATTERN DIAL
7	416804901	BOBBIN WINDER THREAD GUIDE ADJUSTING
9	416121501	SET SCREW (M4x8 A)
10	68003559	REVERSE BUTTON
12	68003263	FREE ARM BASE CUSHION RUBBER
13	68003576	THREAD GUIDE COMPLETE
14	416804501	THREAD GUIDE
15	68012816	SPOOL PIN BASE
18	416174001	SET SCREW (9/64x40x16)
19	416126301	NUT (9/64x40 t=3)
20	68003578	HANDLE
27	416185401	SET SCREW (M4x10 A)

NOT Available

1	68013236	FRONT COVER
3	68013185	PLATE STICKER
4	416681501	SET SCREW (M3x8.5)
5	68001430	CARRYING HANDLE PLATE
6	68013237	BACK COVER
8	68013241	FRONT DECORATED PLATE
11	416529601	SET SCREW (M4x15 B)
16	416120301	SET SCREW (M3x16.7 B)
17	416554101	BOBBIN WINDER
21	68013243	FRONT COVER SET PLATE
23	68013144	PLATE STICKER
24	416122201	SET SCREW (M4x10 B)

B

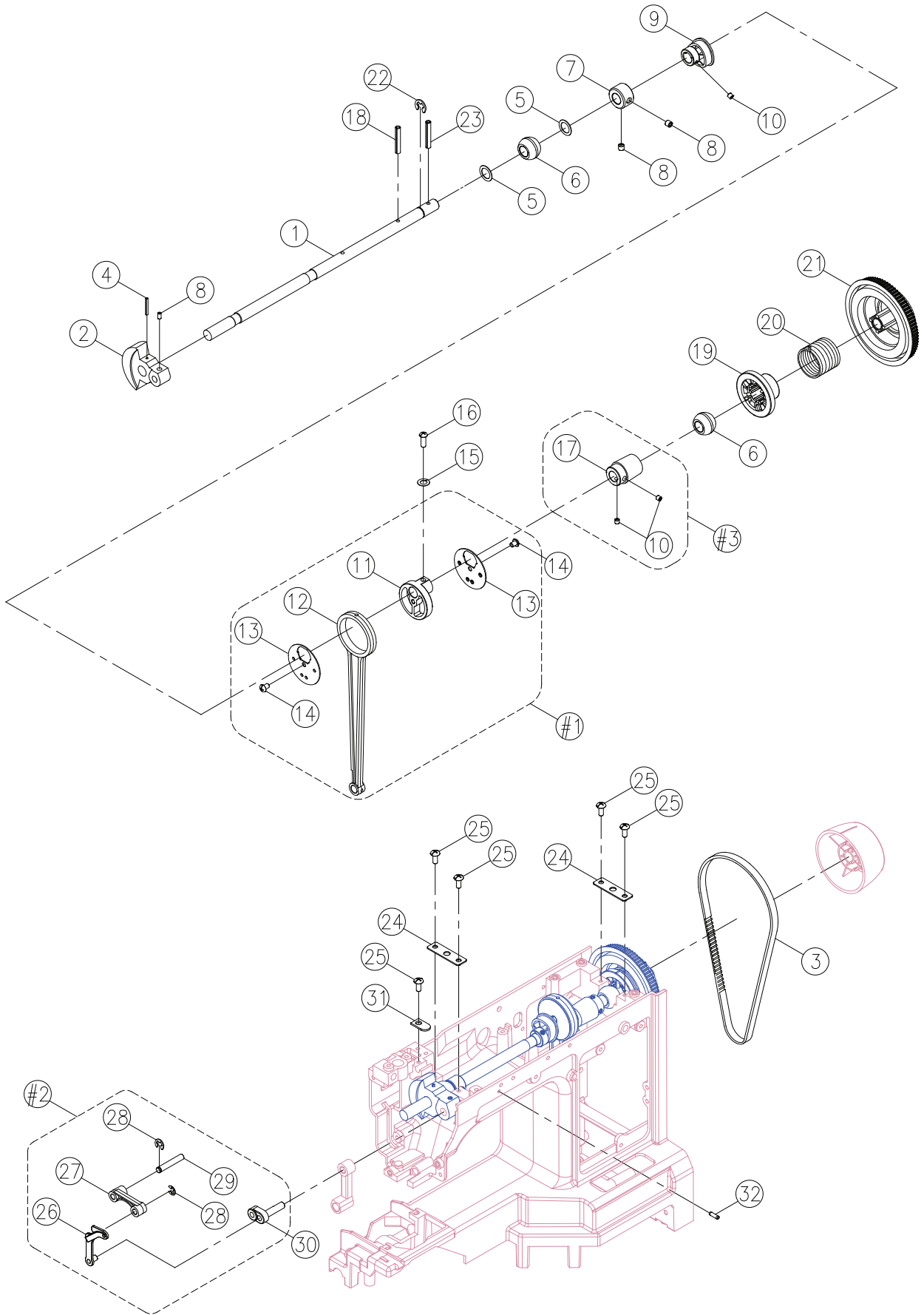


Available parts

Ref No	Part No	Part Name
1	416121501	SET SCREW (M4x8 A)
4	416642201	FREE ARM BASE CUSHION RUBBER
6	416147001	FREE ARM BASE CUSHION RUBBER
8	416154401	BASE PLATE ADJUSTMENT SCREW SPRING
9	68003263	FREE ARM BASE CUSHION RUBBER
15	412423701	CUTTER
16	416116701	CS-RING (CSTW-5)
22	68012837	DIAL TENSION KNOB
25	68012828	HAND WHEEL

NOT Available

2	416681501	SET SCREW (M3x8.5)
3	68013244	CORD REEL COVER
5	68013166	FELT
7	416154601	BASE PLATE ADJUSTMENT SCREW
10	68013206	SET SCREW (M4x10 A)
11	68013245	BED COVER
12	68013246	HOOK COVER
13	416157201	HOOK COVER SPRING
14	68013247	FACE PLATE
17	68013248	BH LEVER BUTTON (FOR KX0V)
18	68013249	SEWING TABLE
19	68013251	SEWING TABLE BODY COVER
20	68013252	SEWING TABLE PLATE
21	68013253	DIAL TENSION SUPPORTER PLATE COVER
23	68013254	ZIGZAG WIDTH DIAL
24	68013255	FEED REGULATOR DIAL



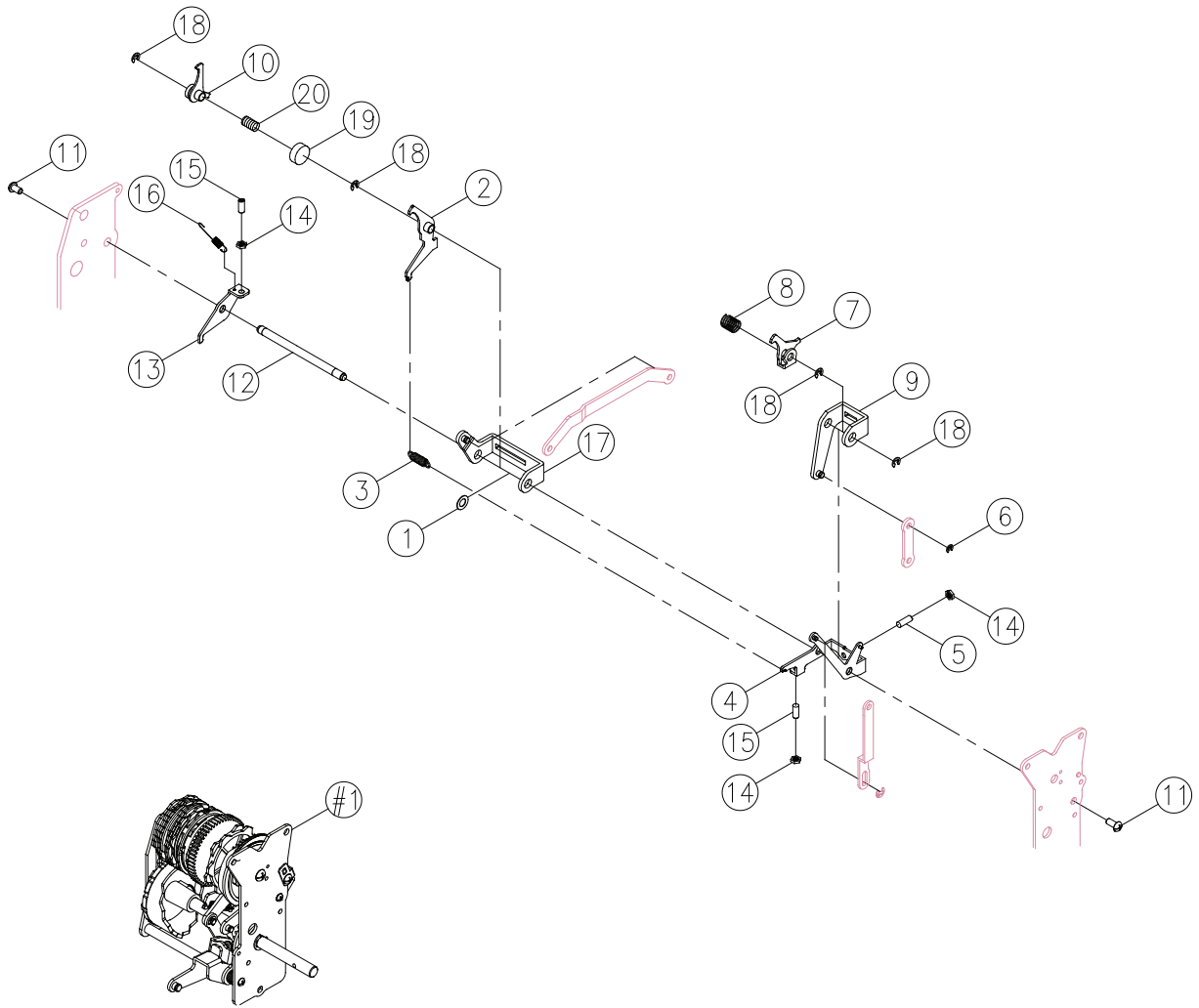
Available parts

Ref No	Part No	Part Name
3	270 007158XXL5	BELT
19	416307201	CLUTCH SLEEVE
20	270 D5A0573003	ARM SHAFT CLUTCH ANNULUS SPRING
21	68003212	ARM SHAFT DRIVER BELT PULLEY
23	416680701	SPRING PIN (3×30)
25	416121501	SET SCREW (M4×8 A)
28	416116101	E-RING (ETW-4)
30	416158001	ARM SHAFT BALANCE PIN
#2	416147201	THREAD TAKE UP LEVER COMPLETE

NOT Available

1	416604501	ARM SHAFT
2	416170701	ARM SHAFT BALANCE
4	416117701	ARM SHAFT BALANCE PIN (3.5×24)
5	416125101	ENDURE ATTRITION WASHER (10.2×15×0.5)
6	416156301	ARM SHAFT BUSING
7	416156501	ARM SHAFT COLLAR
8	416123601	SET SCREW (M5×5 C)
9	416150401	FEED CAM
10	416122401	SET SCREW(M4×4 C)
11	416524201	CRANK CONNECTING ROD CAM
12	416524301	CRANK CONNECTING ROD
13	416524401	CRANK CONNECTING ROD COVER
14	416524501	SET SCREW (M4X4 B)
15	416126101	WASHER (4.2×7.2×1.2)
16	416118601	SET SCREW (11/64×40×12)
17	68013256	ARM SHAFT WORM
18	416680401	SPRING PIN (3×28)
22	416542901	E-RING (ETW-8)
24	416161701	ARM SHAFT BUSHING HOLDER PLATE
26	416147101	THREAD TAKE UP LEVER
27	416157901	THREAD TAKE UP LEVER SUPPORTER
29	416162201	THREAD TAKE UP LEVER SUPPORTER SHAFT
31	416152201	CARRYING HANDLE PLATE
32	416117501	SPRING PIN (3×10)
#1	416604601	CRANK CONNECTING ROD COMPLETE
#3	416604701	ARM SHAFT WORM COMPLETE

D



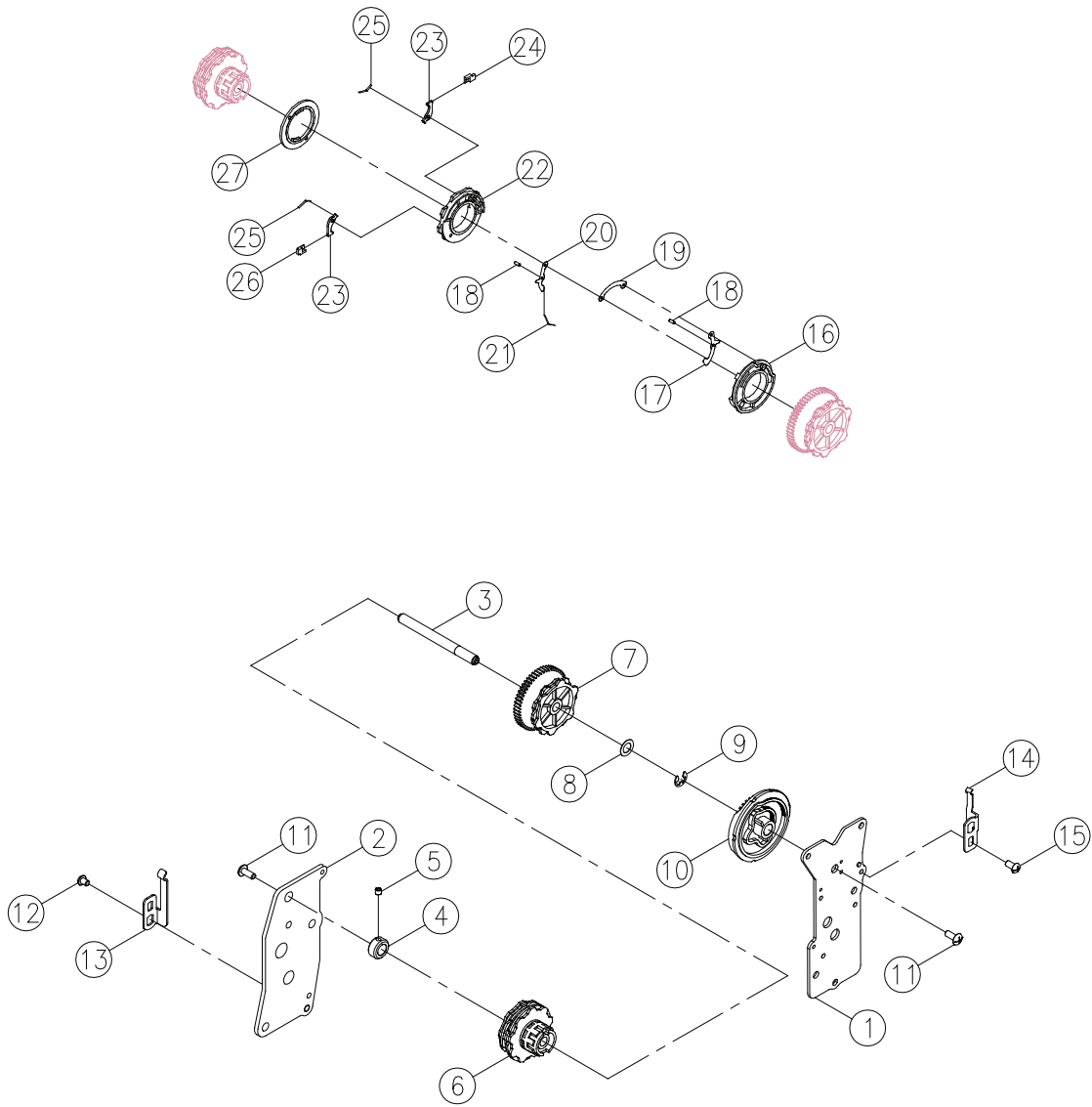
Available parts

Ref No	Part No	Part Name
3	416187301	BH FEED CRANK SPRING
6	416116001	E-RING (ETW-3)
11	416119201	SET SCREW (M3×6 A)
14	416126801	NUT (ALN-4)

NOT Available

1	416604901	WASHER (6.7×12 t=0.5)
2	416545201	BH FEED CRANK
4	416545601	BH ADJUSTING CRANK
5	416122701	SET SCREW (M4×0.7 L12)
7	416597501	SS CAM CONTACT
8	416166401	SS CAM CONTACT SPRING
9	416605001	SS CAM CONTACT SUPPORTER
10	416545501	ZIGZAG CAM CONTACT
12	416598001	ZIGZAG CAM CONTACT SUPPORTER SHAFT
13	416544901	ZIGZAG RELEASE PLATE
15	416185501	SET SCREW (M4×0.7 L9)
16	416545001	ZIGZAG RELEASE PLATE SPRING
17	416604801	ZIGZAG CAM CONTACT SUPPORTER
18	416183801	E-RING (ETW-5)
19	416545301	SPRING PEDESTAL
20	416517801	ZIGZAG CAM CONTACT SPRING
#1	68013257	PATTERN CAM CONTACT COMPLETE

E



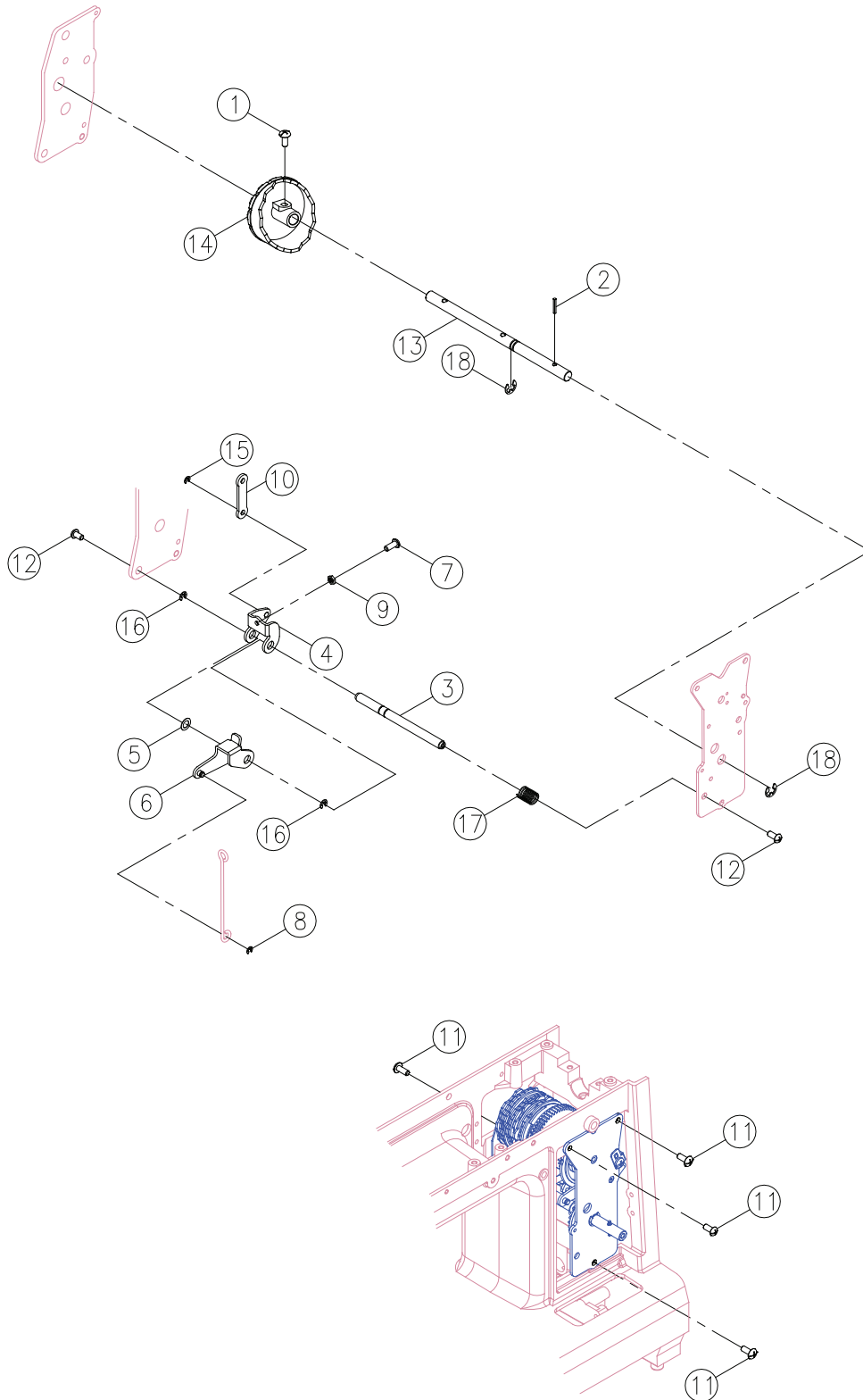
Available parts

Ref No	Part No	Part Name
6	68003183	PATTERN CAM
8	416228101	WASHER (8.2×14×0.5)
11	416121501	SET SCREW (M4×8 A)
12	416226601	SET SCREW (M4×5 B)
13	68012685	PATTERN FIX SPRING PLATE

NOT Available

1	416596801	PATTERN CAM CONTACT PLATE (FRONT)
2	416543701	PATTERN CAM CONTACT PLATE (BACK)
3	416543801	PATTERN CAM SHAFT
4	416151801	PATTERN CAM SHAFT COLLAR
5	416122401	SET SCREW (M4×4C)
7	416427901	SS CAM
9	416116401	E-RING (ETW-6)
10	68013258	FEED REGULATOR CAM
14	68013259	FEED REGULATOR FIX PLATE
15	416524501	SET SCREW (M4×4 B)
16	416543901	BH FEED REGULATOR CAM
17	416544001	BH CLUTCH CONTACT A
18	416229201	BH CLUTCH SHAFT
19	416544101	BH CLUTCH LEVER
20	416544201	BH CLUTCH CONTACT B
21	416229601	BH CLUTCH SPRING PLATE
22	416544301	BH CAM
23	416544401	BH CONTACT
24	416544501	BH SLIDE BLOCK R
25	416544601	BH CONTACT SPRING PLATE
26	416544701	BH SLIDE BLOCK L
27	416544801	STRAIGHT STITCH CAM

F

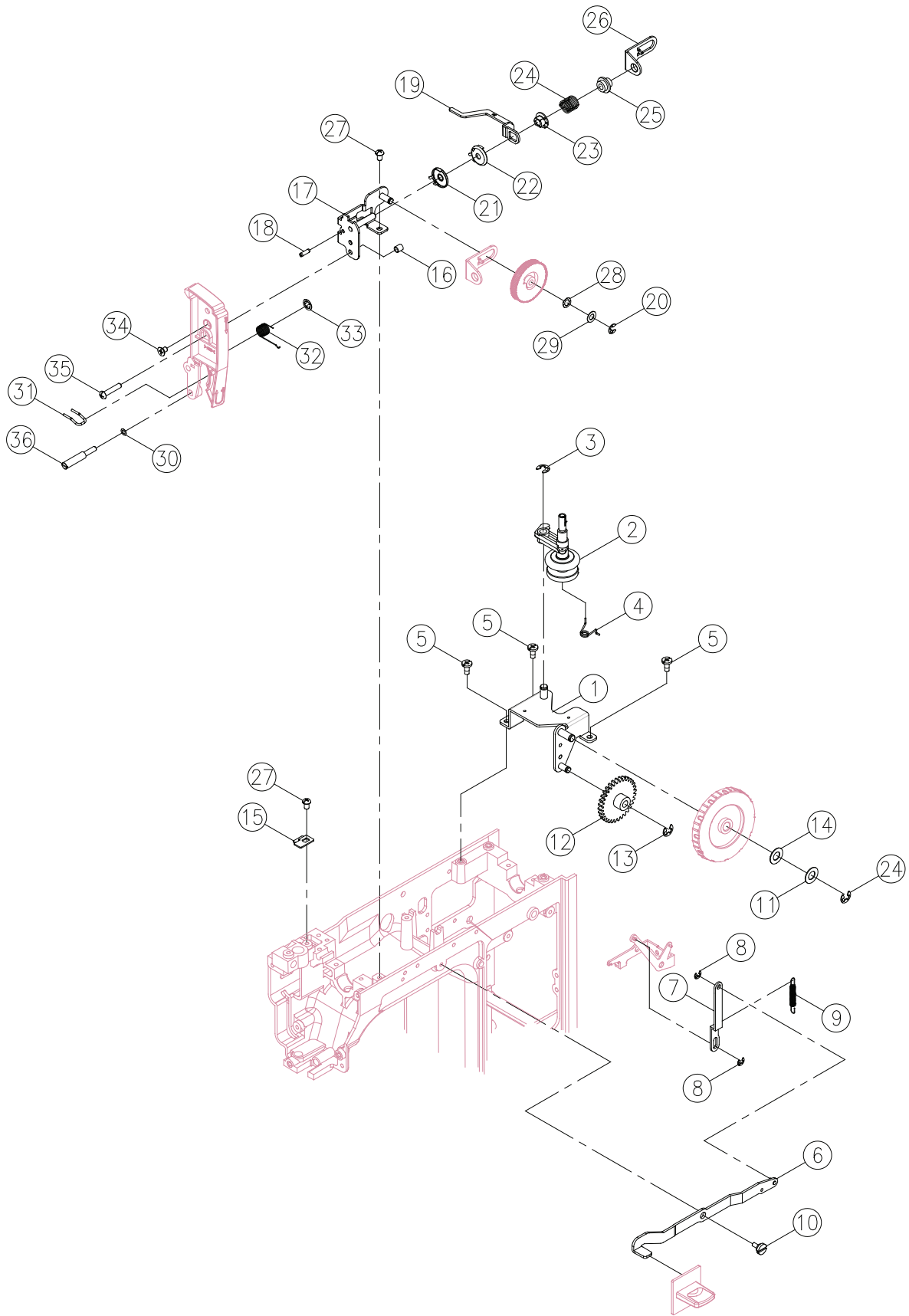


Available parts

Ref No	Part No	Part Name
1	416185401	SET SCREW (M4×10 A)
7	416121101	SET SCREW (M4×10 B)
9	416126801	NUT (ALN-4)
11	416121501	SET SCREW (M4×8 A)
12	416119201	SET SCREW (M3×6 A)
15	416116001	E-RING (ETW-3)

NOT Available

2	416183901	SPRING PIN (2.5×16)
3	416605401	FEED CRANK SHAFT
4	416605501	FEED ADJUSTING CRANK
5	416227601	WASHER (6.7×14×0.8)
6	416605601	CRANK SHAFT
8	416116201	E-RING (ETW-4)
10	416605101	FEED ROCK SHAFT
13	68013261	PATTERN SELECTOR CAM SHAFT
14	416727701	PATTERN SELECTOR CAM
16	416183801	E-RING (ETW-5)
17	416166401	SS CAM CONTACT SPRING
18	416116401	E-RING (ETW-6)



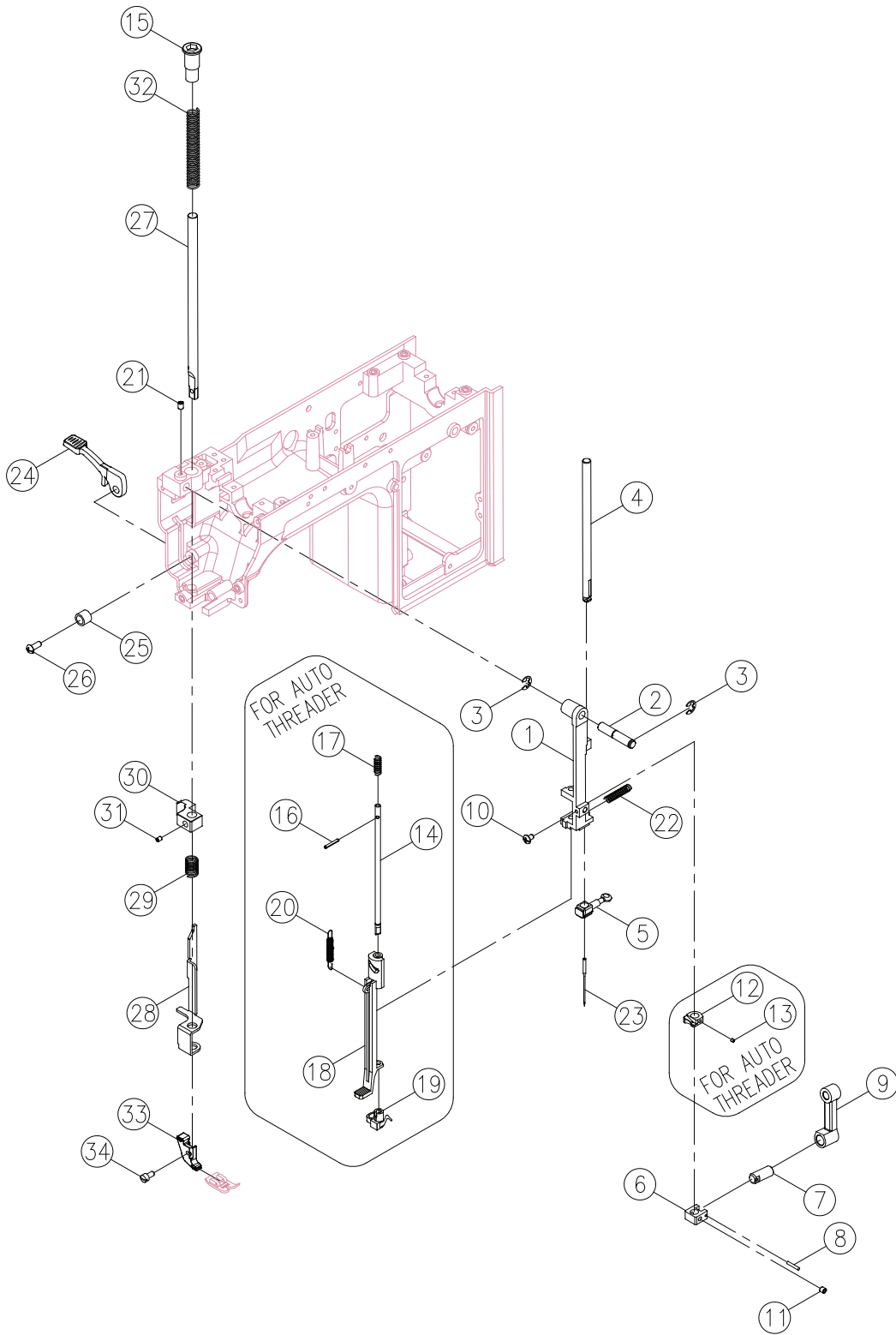
Available parts

Ref No	Part No	Part Name
2	416700601	BOBBIN WINDER CRANK COMPLETE
5	416121501	SET SCREW (M4×8 A)
8	416116001	E-RING (ETW-3)
20	416116101	E-RING (ETW-4)
25	416153801	DIAL TENSION REGULATOR
30	416124101	WASHER (4.2×8×0.8)
31	416198701	THREAD GUIDE
32	416162601	DIAL TENSION SPRING
33	416116701	CS-RING (CSTW-5)
34	416121901	SET SCREW (M4×6 D)
35	416121701	SET SCREW (M4×15 B)

NOT Available

1	68013262	BOBBIN WINDER FRAME PLATE COMPLETE
3	416116301	E-RING (ETW-5)
4	416684501	BOBBIN WINDER CRANK SPRING
6	416551301	REVERSE LEVER
7	416551401	REVERSE ROD
9	416155001	AUTO THREADED LEVER SPRING
10	416716301	SET SCREW (M4×6)
11	416227701	WASHER (6.2x12x0.5)
12	68013263	FEED REGULATOR GEAR
13	416116201	E-RING (ETW-4)
14	68013151	WASHER (6.2x12x2.0 t=0.15)
15	416527201	TENSION LEVER REGULATING PLATE
16	416151701	DIAL TENSION GUIDE SPRING TUBE
17	416772001	DIAL TENSION SUPPORTER PLATE
18	416117501	SPRING PIN (3×10)
19	416735101	DIAL TENSION WAFT PLATE
21	416153601	DIAL TENSION DISC (1)
22	416146301	DIAL TENSION DISC
23	416526801	DIAL TENSION SPRING REGULATOR
24	416772201	DIAL TENSION SPRING
26	416162501	DIAL TENSION SPRING PLATE
27	416121201	SET SCREW (M4×6 B)
28	416126001	WASHER (WW-5)
29	416124501	WASHER (5.2×10×0.5)
36	68013222	SET SCREW (M4×0.7 L42)

H

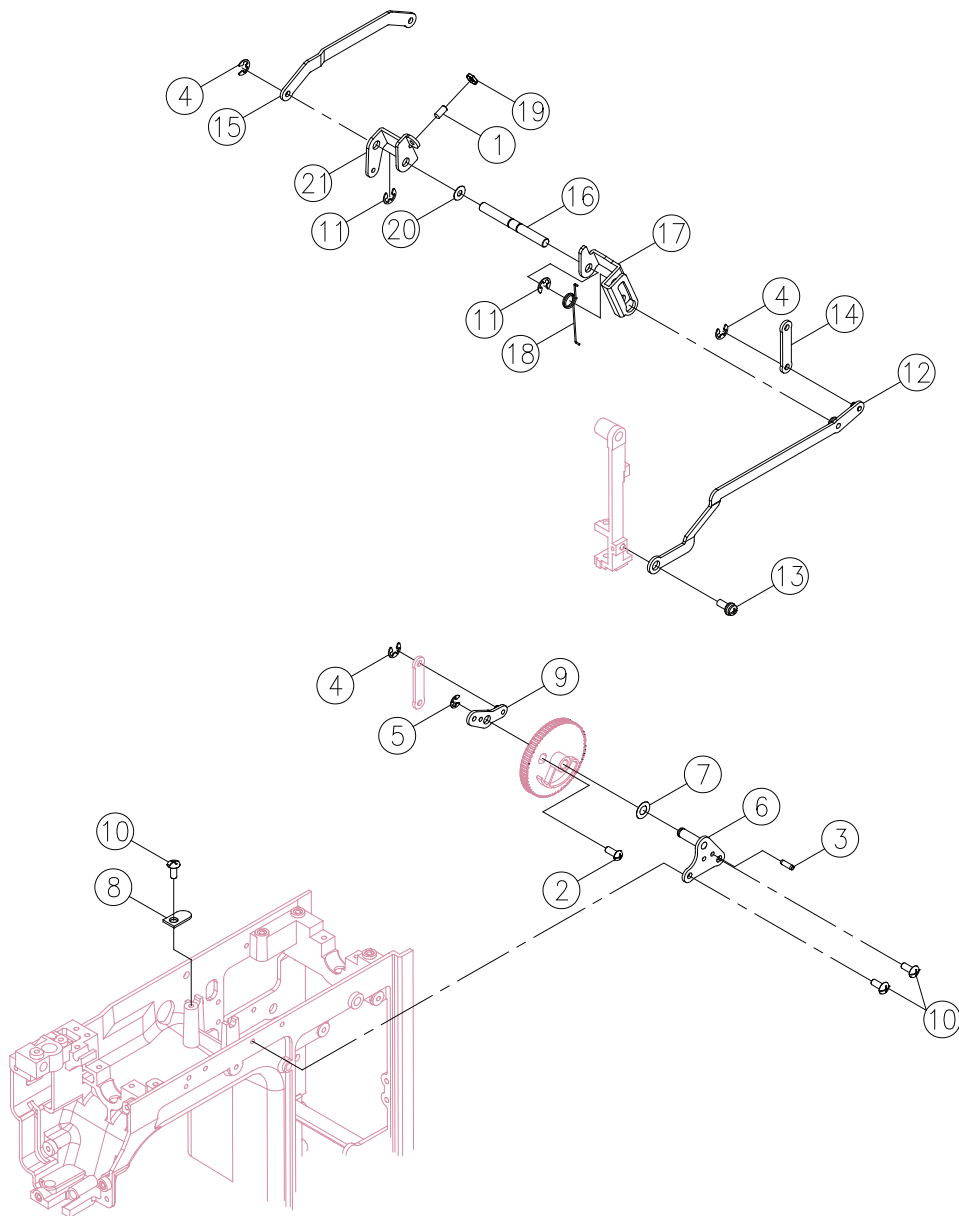


Available parts

Ref No	Part No	Part Name
4	416173601	NEEDLE BAR
5	416245301	NEEDLE CLAMP COMPLETE
19	68003556	AUTO THREADER (FOR AUTO THREADER)
21	416121001	SET SCREW (M4×5 C)
24	416466901	PRESSER BAR LIFTER LEVER
26	416121101	SET SCREW (M4×10 B)
27	416173401	PRESSER BAR
30	416151501	PRESSER BAR BRACKET
33	416495501	SHANK

NOT Available

1	416717001	NEEDLE BAR SUPPORTER (FOR AUTO THREADER)
1	416171401	NEEDLE BAR SUPPORTER (FOR NON-AUTO THREADER)
2	416245101	NEEDLE BAR SUPPORTER PIN (FOR AUTO THREADER)
2	416155101	NEEDLE BAR SUPPORTER PIN (FOR NON-AUTO THREADER)
3	416183801	E-RING (ETW-5)
6	416638901	NEEDLE BAR BRACKET (1)
7	416771501	NEEDLE BAR BRACKET (2)
8	416572001	PIN (2×12)
9	416639101	NEEDLE BAR CRANK ROD
10	416224401	SET SCREW (9/64×40×6)
11	416122401	SET SCREW (M4×4 C)
12	68013217	AUTO THREADER STOPPER (FOR AUTO THREADER)
13	68013218	SET SCREW (M3×4 C) (FOR AUTO THREADER)
14	68013225	AUTO THREADER SHAFT (FOR AUTO THREADER)
15	68013226	PRESSER BAR REGULATING SCREW
16	416117201	SPRING PIN (2×14) (FOR AUTO THREADER)
17	68013228	AUTO THREADER SHAFT SPRING (FOR AUTO THREADER)
18	68013235	AUTO THREADER LEVER (FOR AUTO THREADER)
20	416155001	AUTO THREADER LEVER SPRING (FOR AUTO THREADER)
22	416152701	NEEDLE BAR SUPPORTER SPRING
23		NEEDLE
25	416162101	PRESSER BAR LIFTER LEVER SCREW WASHER
28	416525901	TENSION LEVER LIFTER
29	416151601	TENSION LEVER LIFTER SPRING
31	416123801	SET SCREW (M6×5 C)
32	68013250	PRESSER BAR SPRING
34	416118401	SHANK SCREW (9/64×40×8)

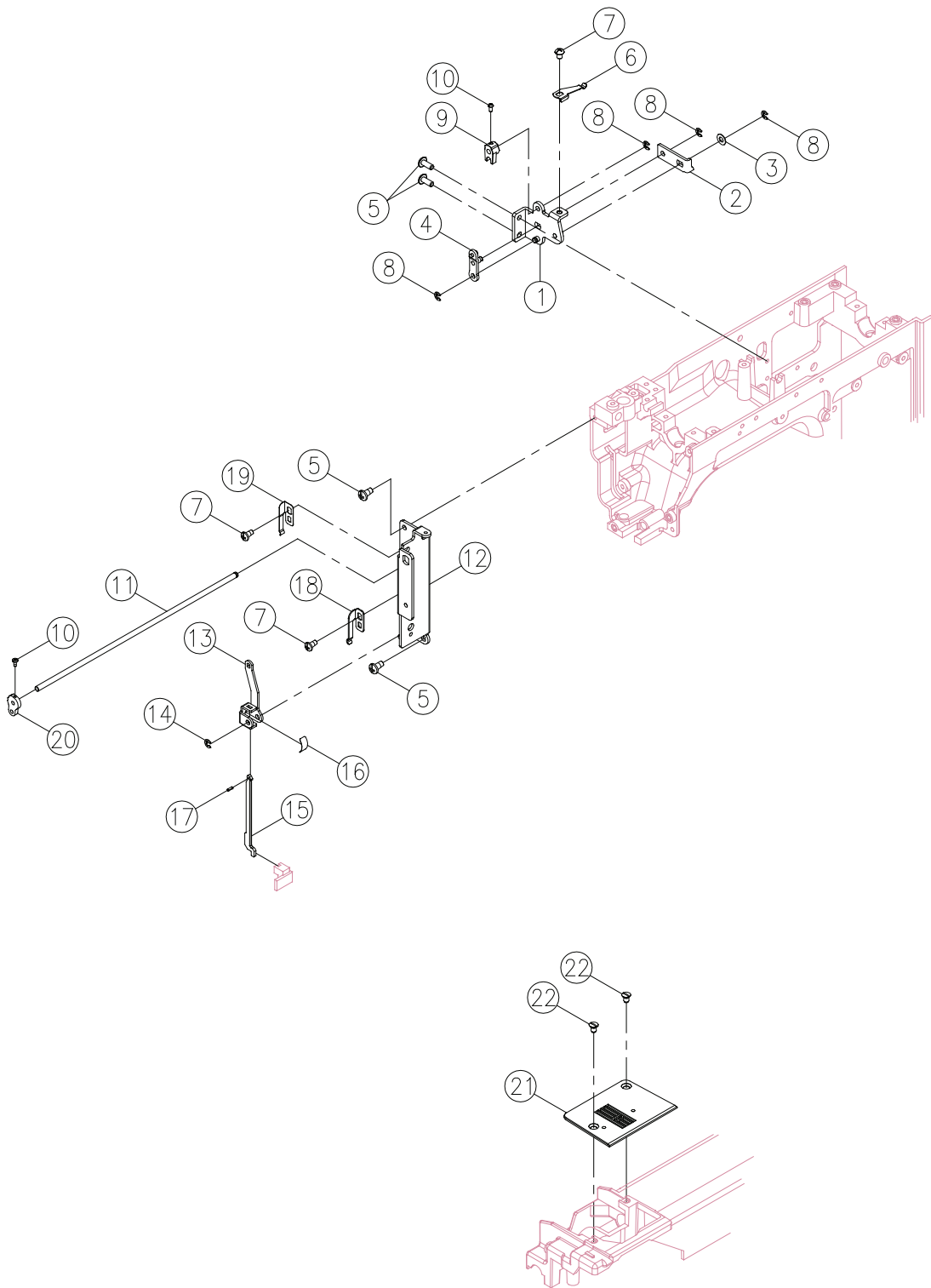


Available parts

Ref No	Part No	Part Name
4	416116001	E-RING (ETW-3)
5	416116101	E-RING (ETW-4)
7	416186901	WASHER
10	416121501	SET SCREW (M4×8 A)
13	416801101	NEEDLE BAR DRIVING ROD PIN
19	416126801	NUT (M4×0.7)

NOT Available

1	416185501	SET SCREW (M4×9)
2	68013206	SET SCREW (M4×10)
3	416117501	SPRING PIN (3×10)
6	416640301	ZIGZAG WIDTH DIAL PLATE
8	416152201	CARRYING HANDLE PLATE
9	416602901	ZIGZAG WIDTH CRANK
11	416116301	E-RING (ETW-5)
12	416245401	NEEDLE BAR DRIVING ROD COMPLETE
14	416639301	ZIGZAG WIDTH CRANK ROD
15	416640001	ROD
16	416639501	ZIGZAG CONTACT SUPPORTER SHAFT
17	416639601	ZIGZAG WIDTH REGULATING CAM BOX
18	416639701	ZIGZAG WIDTH SPRING
20	416716501	WASHER (14×6.2×3)
21	416639901	ZIGZAG REGULATOR CRANK

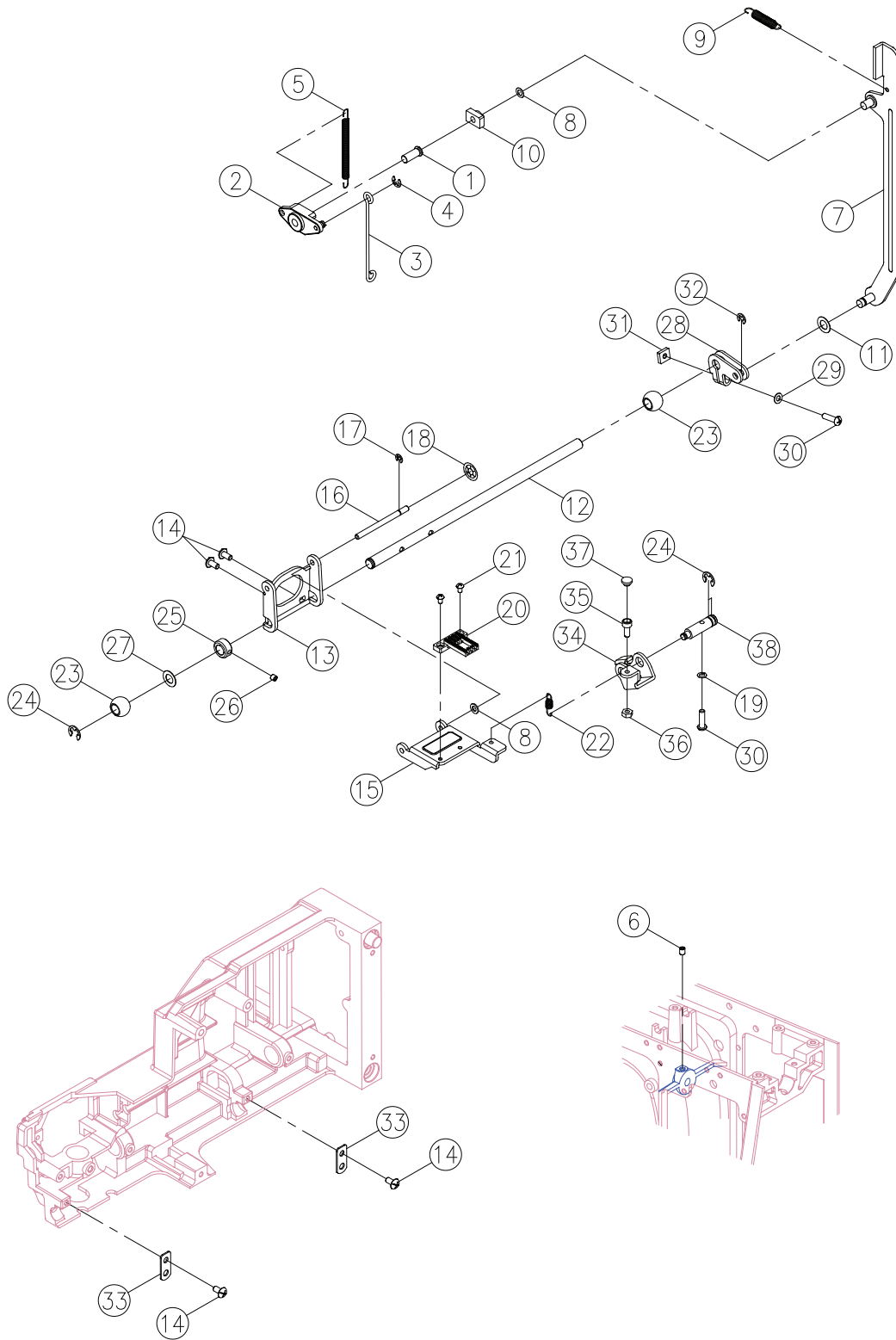


Available parts

Ref No	Part No	Part Name
5	416121501	SET SCREW (M4×8 A)
7	416226601	SET SCREW (M4×5 B)
8	416116001	E-RING (ETW-3)
11	68003185	BH SELECT CRANK SHAFT
14	416116001	E-RING (ETW-3)
18	416232001	BH POSITIONED PLATE
20	416231801	BH MOVEMENT CRANK
22	416122901	NEEDLE PLATE COMPLETE SET SCREW

NOT Available

1	416547401	BH SELECTOR PLATE
2	416728301	BH SLIDE PLATE
3	416185901	WASHER (4.2×9×0.5)
4	416728401	BH SELECTOR PLATE
6	416547701	BH CAM PLATE
9	416728601	BH SELECT CRANK
10	416528801	SET SCREW (M3×5 B)
12	416638801	BH LEVER PLATE COMPLETE
13	416728801	BH LEVER CRANK
15	416728901	BH LEVER
16	416729001	BH LEVER SPRING PLATE
17	416117001	SPRING PIN (1.6×5)
19	416231901	BH POSITIONED PLATE
21	68013152	NEEDLE PLATE



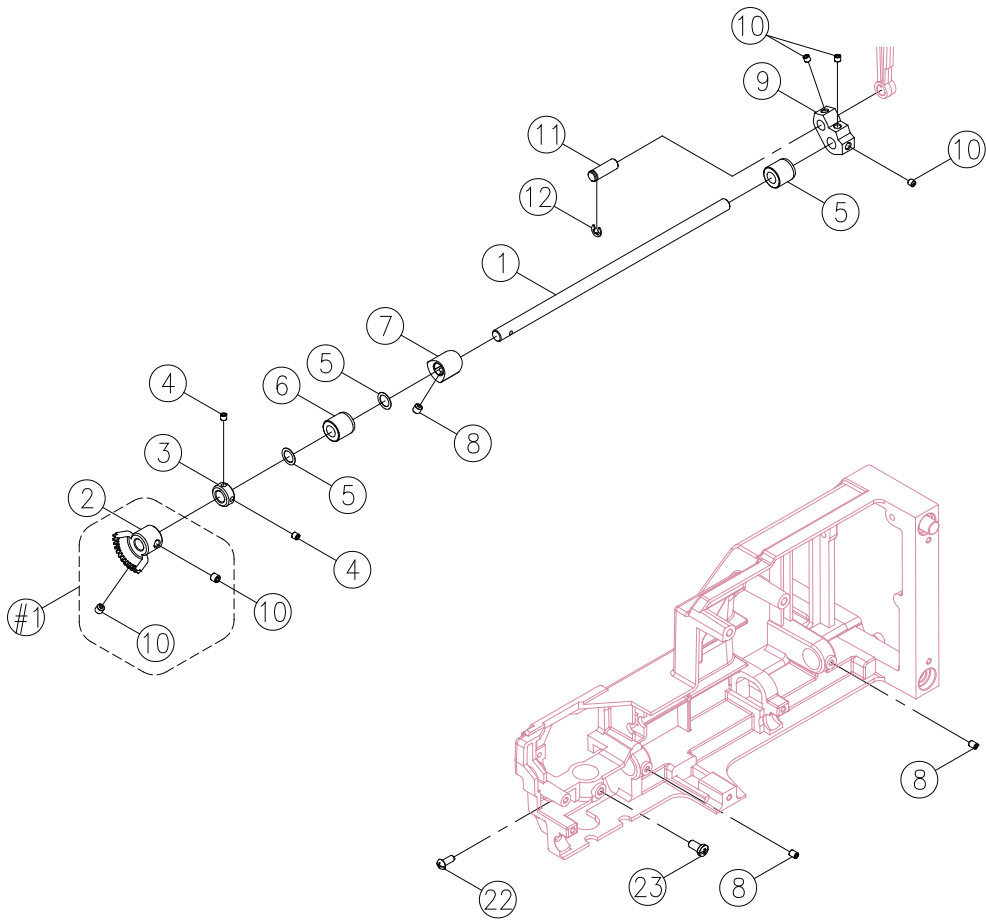
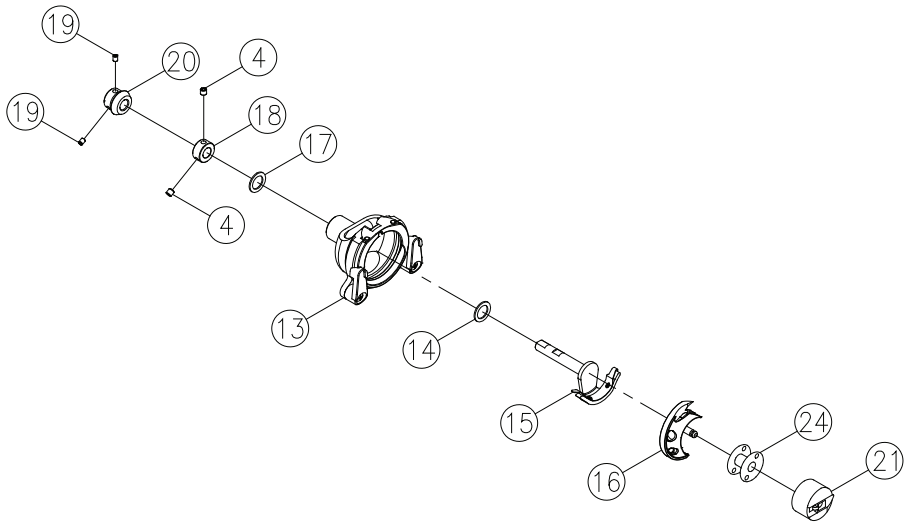
Available parts

Ref No	Part No	Part Name
14	416121501	SET SCREW (M4×8 A)
17	416116001	E-RING (ETW-3)
20	416171601	FEET DOG
22	270 V60533003	FEED DOG FRAME SPRING
30	416121701	SET SCREW (M4×15 B)
32	416116101	E-RING (ETW-4)
37	416154401	SEW SCREW KNOB

NOT Available

1	416640401	FEED REGULATING SHAFT
2	416640501	FEED REGULATING
3	416640601	FEED ROD
4	416116201	E-RING (ETW-4)
5	416640701	FEED REGULATING SPRING
6	416122101	SET SCREW (M4×6 C)
7	416163501	FORK ROD
8	416125201	ENDURE ATTRITION WASHER (5.7×10.2×0.5)
9	416163701	FORK ROD SPRING
10	416158601	FEED REGULATING BLOCK
11	416125501	ENDURE ATTRITION WASHER (5.5×12×0.25)
12	416163901	FEED ROCK SHAFT
13	416164001	FEET ROCK FRAME
15	416164101	FEED DOG FRAME
16	416164201	FEED DOG FRAME SHAFT
18	416117901	NUT (SPN-4)
19	416126101	WASHER (4.2×7.2×1.2)
21	416528801	SET SCREW (M3×5 B)
23	416162701	FEED ROCK BUSHING
24	416116401	E-RING (ETW-6)
25	416151801	PATTERN CAM SHAFT COLLAR
26	416122401	SET SCREW (M4×4 C)
27	416125401	ENDURE ATTRITION WASHER (8.2×12×0.25)
28	416164501	FEED ROCK CRANK
29	416123901	WASHER (4×8×0.5)
31	416126701	FEED ROCK CRANK NUT (M4)
33	416164601	BUSHING HOLDER PLATE
34	416164801	FEED LIFTING ROCK CRANK
35	416123701	SEW SCREW
36	416126501	NUT (M4 t=3)
38	416164901	FEED LIFTING ROCK SHAFT

L

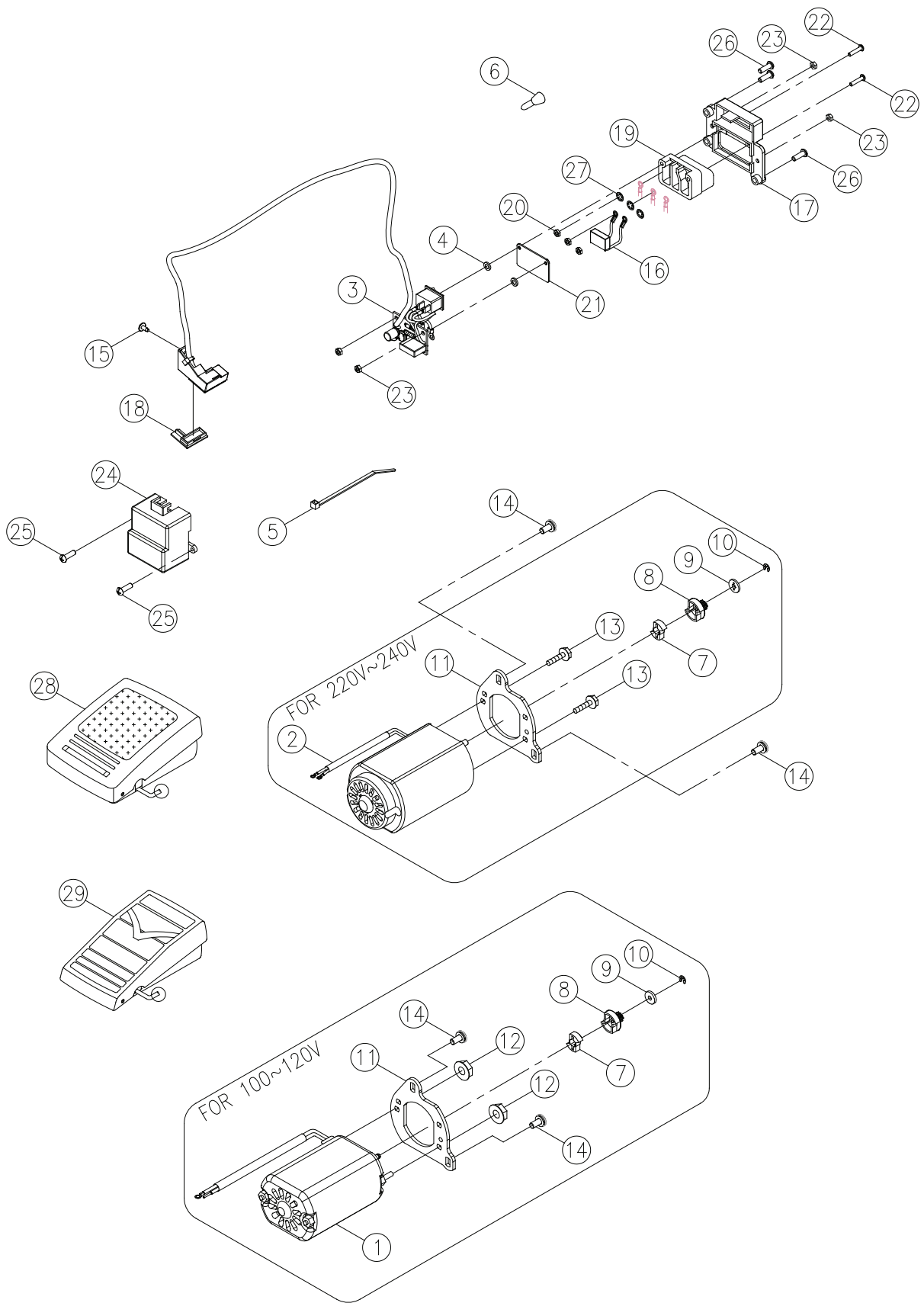


Available parts

Ref No	Part No	Part Name
2	270 G4A1573000	LOWER SHAFT GEAR
13	68000176	OPEN SHUTTLE RACE COMPLETE
15	68000174	SHUTTLE DRIVER COMPLETE
16	416392101	SHUTTLE HOOK
20	270 G4A1583000	SHUTTLE DRIVER SHAFT GEAR
21	416153401	BOBBIN CASE COMPLETE
22	416121101	SET SCREW (M4x10 B)
24	68000175	BOBBIN
#1	416245801	LOWER SHAFT GEAR COMPLETE

NOT Available

1	416527801	LOWER SHAFT
3	416158801	LOWER SHAFT COLLAR
4	416122401	SET SCREW (M4x4 C)
5	416125401	ENDURE ATTRITION WASHER (8.2x12x0.25)
6	416141701	FEED ROCK BUSHING
7	416520701	FEED LIFTING ROCK CAM
8	416122101	SET SCREW (M4x6 C)
9	416162801	CRANK CONNECTING ROD CRANK
10	416123601	SET SCREW (M5x5 C)
11	416158201	CRANK CONNECTING ROD CRANK PIN
12	416116301	E-RING (ETW-5)
14	416125701	ENDURE ATTRITION WASHER (7.6x12x0.13)
17	416125301	ENDURE ATTRITION WASHER (8.2x16x0.5)
18	416153101	SHUTTLE DRIVER SHAFT COLLAR
19	416118701	SET SCREW (11/64x40x4)
23	68013169	SET SCREW (M5x10 B)



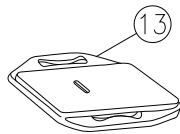
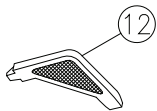
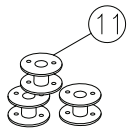
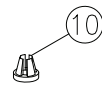
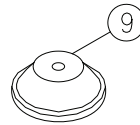
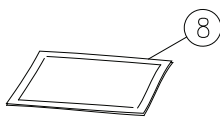
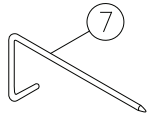
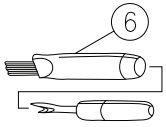
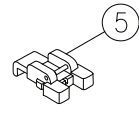
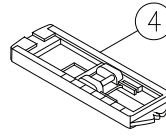
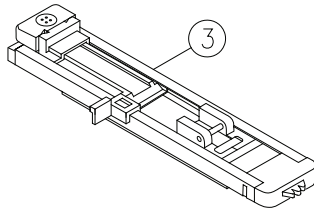
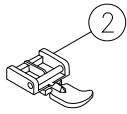
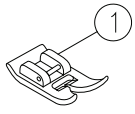
Available parts

Ref No	Part No	Part Name
7	416129401	CUSHION RUBBER
10	416116001	E-RING (ETW-3)
24	416803701	RECEPTACLE HOLDER COVER
26	416121701	SET SCREW (M4×15 B)
28	68004341	FOOT CONTROLLER (FOR EU)
29	416468101	FOOT CONTROLLER (FOR USA)

NOT Available

1	68013268	MOTOR (FOR 120V)
2	68013269	MOTOR (FOR 220V-240V)
3	68013271	LED HOLDER COMPLETE (FOR 220V-240V)
3	68006117	LED HOLDER COMPLETE (FOR 100V-120V)
4	68013231	WASHER (3.2×8×3)
5	416113901	CORD CLIP
6	416133001	END TERMED
8	416114601	BELT WHEEL
9	416114001	MOTOR FEED REGULATOR COLLAR
11	416521401	MOTOR BRACKET
12	416528501	NUT (M4 t=5.5) (FOR 100-120V)
13	68013275	SET SCREW (M4×10.2) (FOR 220-240V)
14	68013176	SET SCREW (M5×12)
15	416686701	SET SCREW (M4×5)
16	68013276	CONDENSER (FOR 220V-240V)
17	68013277	RECEPTACLE HOLDER
18	68001416	LAMPSHADE
19	68013278	RECEPTACLE
20	68013279	NUT (M3×4)
21	68013280	CONCERT INSULATION PLATE
22	68013281	SET SCREW (M3×25 B)
23	416302901	NUT (M3 t=2.3)
25	416119701	SET SCREW (M3×8 B)
27	68013282	CS (TW-3.2)

N



Available parts

<u>Ref No</u>	<u>Part No</u>	<u>Part Name</u>
1	416128401	ALL PURPOSE FOOT (J)
2	416128701	ZIPPER FOOT (I)
3	68003698	BUTTONHOLE FOOT (B) (FOR KX0V)
4	416128901	BUTTONHOLE FOOT (FOR KX6V)
5	416284501	BUTTON SEWING FOOT (H)
6	416127701	SEAM RIPPER / BRUSH
9	416500701	SPOOL HOLDER (LARGE)
10	416500801	SPOOL HOLDER (SMALL)
11	68000175	BOBBIN
12	68000177	L-SCREWDRIVER
13	416127901	DARNING PLATE

NOT Available

7	416497401	EDGE / QUILTING GUIDE
8		NEEDLE (3 PCS FOR 1 PACK)