



SINGER®

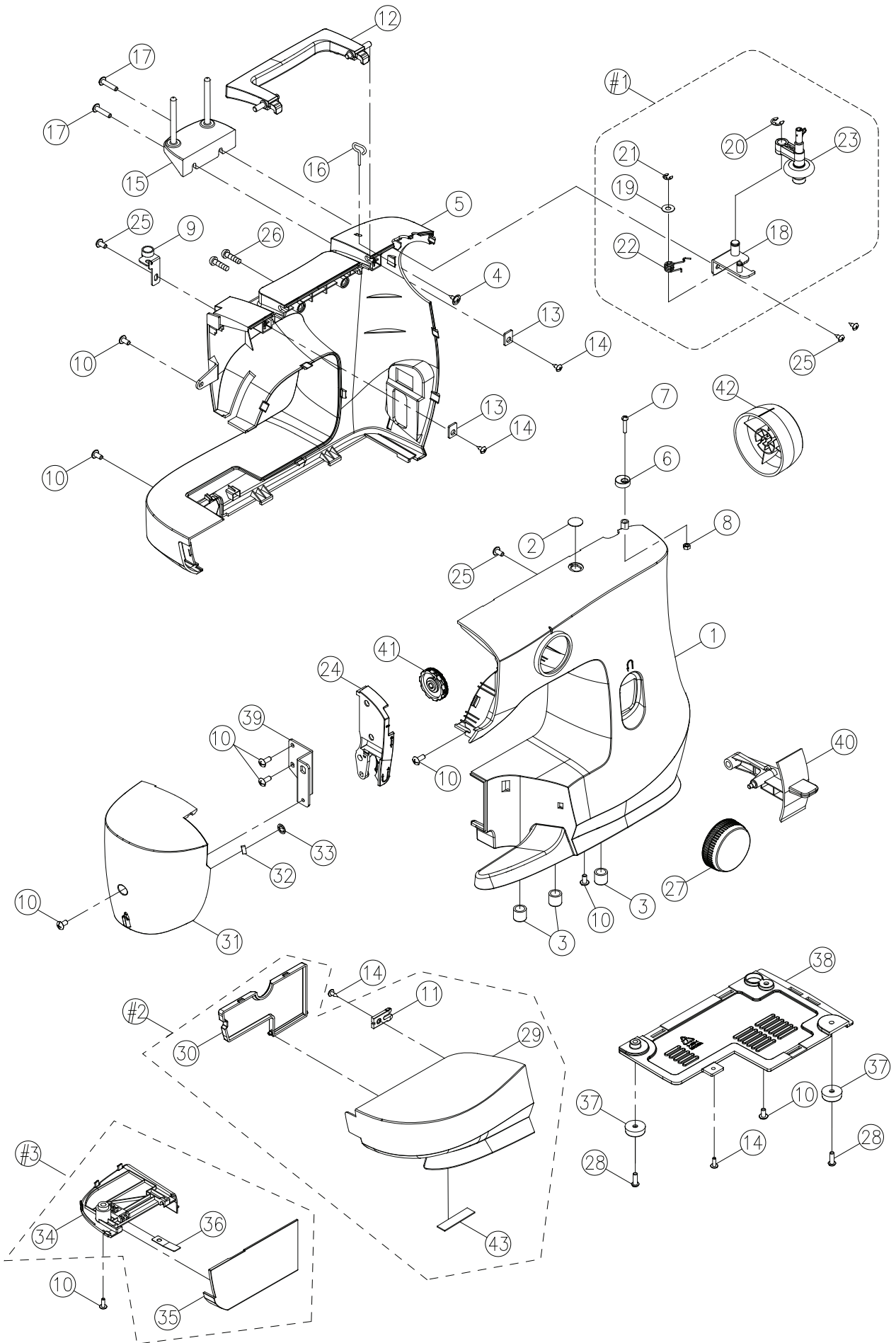
M1500-1505

-

M1600-1605

Liste de pièces
Lista de Piezas
Parts List

A



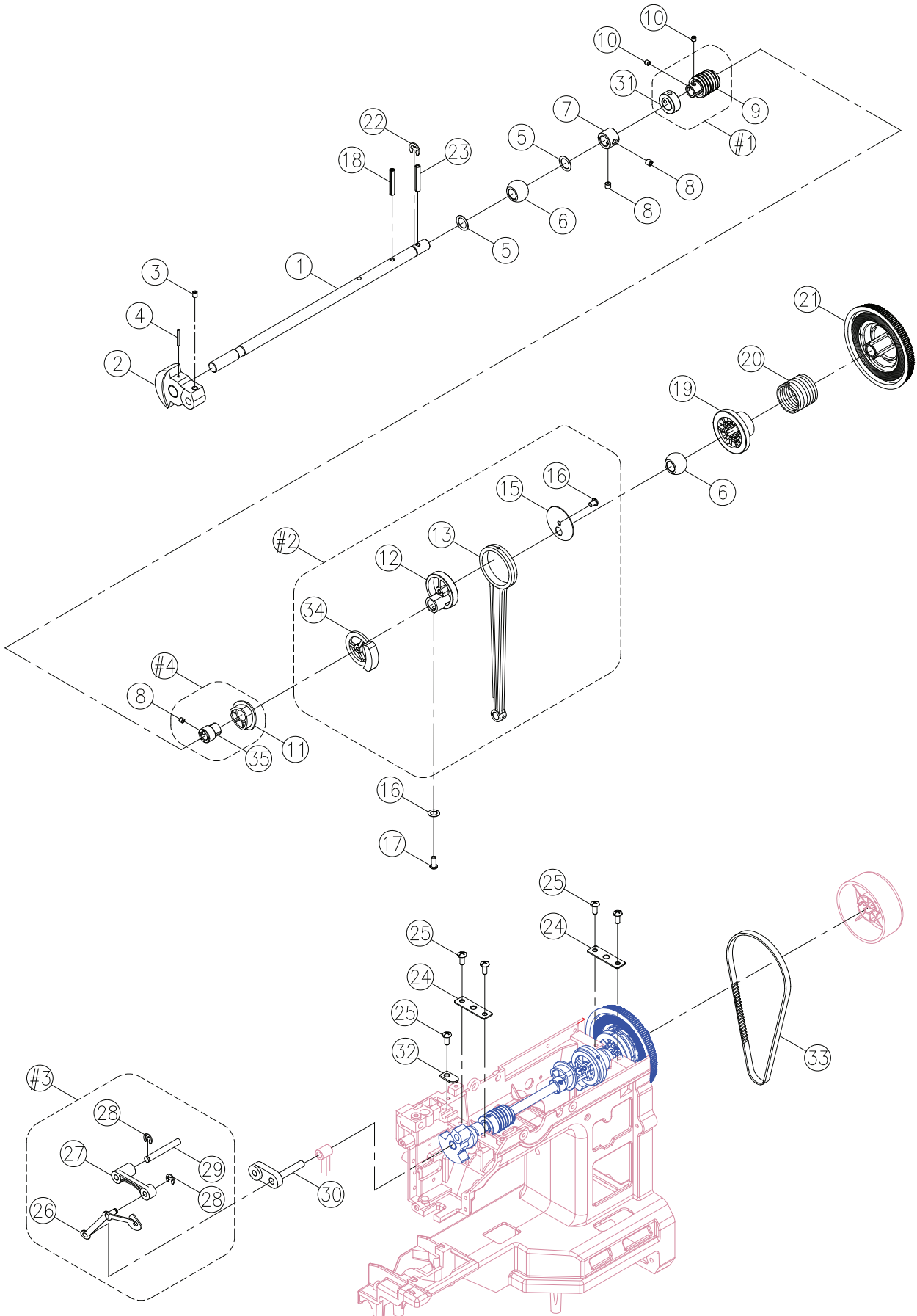
Available parts

Ref No	Part No	Part Name
3	68003263	FREE ARM BASE CUSHION RUBBER
7	416174001	SET SCREW (9/64x40x16 B)
8	416126301	NUT (9/64x40 t=3)
9	270 V61325000	BOBBIN WINDER THREAD GUIDE CPL.
10	416121501	SET SCREW (M4x8 A)
11	68015549	SEWING TABLE BODY COMPL
12	68012829	HANDLE
15	68012835	SPOOL PIN PLATE
21	416116101	E-RING (ETW-4)
27	68014070	PATTERN SELECTOR DIAL M150X
	68014071	PATTERN SELECTOR DIAL M160X
28	416185401	SET SCREW (M4x10 A)
29	68015549	SEWING TABLE BODY COMPL
30	68015549	SEWING TABLE BODY COMPL
32	412423701	THREAD CUTTER
33	416116701	CS-RING (CSTW-5)
34,35,36	68015557	HOOK COVER COMPL.
37	416642201	FREE ARM BASE CUSHION RUBBER
40	68012831	REVERSE LEVER BUTTON
41	68012832	THREAD TENSION DIAL
42	68012833	HAND WHEEL
43	68015549	ANTI-FRICTION FELT
#1	68001148	BOBBIN WINDER CPL.
#2	68015549	SEWING TABLE BODY COMPL
#3	68015557	HOOK COVER COMPL.

NOT Available

1	68013142	FRONT COVER
2	68013144	PLATE (1)
4	416718201	SET SCREW (3x5)
5	68013148	BACK COVER
6	416554101	BOBBIN WINDER STOPPER
11	68013150	SEWING TABLE PLATE
13	68001430	SET WASHER
14	416681501	SET SCREW (M3x8.5)
16	416773101	GUIDE SPRING
17	416123501	SET SCREW (M4x20 A)
18	68001433	BOBBIN WINDER FRAME PLATE CPL.
19	416124301	WASHER (5.4x10x0.9)
20	416116401	E-RING (ETW-6)
22	68001434	BOBBIN WINDER CRANK SPRING
23	68001440	BOBBIN WINDER CRANK CPL.
24	68013153	TENSION SUPPORTER COVER
25	416122201	SET SCREW (M4x10 B)
26	68013156	SET SCREW (M4x10)
31	68013161	FACE PLATE
38	68001126	BOTTOM PLATE
39	68001162	FACE COVER SUPPORTER
43	68013166	ANTI-FRICTION FELT

B



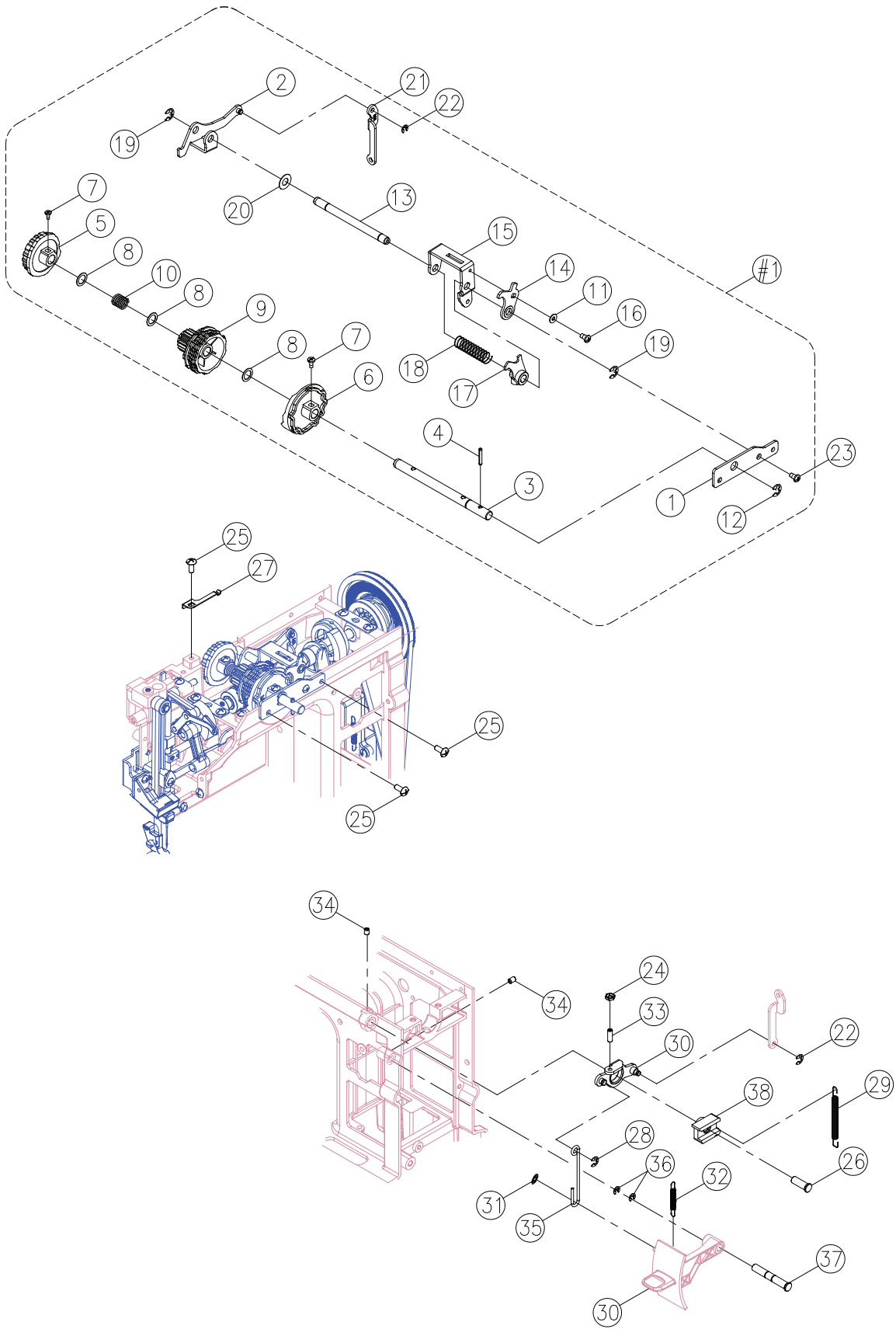
Available parts

Ref No	Part No	Part Name
6	68001128	ARM SHAFT BUSING
14	416121601	SET SCREW (M4x12 B)
17	416185401	SET SCREW (M4x10 A)
19	416307201	CLUTCH SLEEVE
20	270 D5A0573003	ARM SHAFT CLUTCH ANNULUS SPRING
23	416680701	SPRING PIN (3x30)
25	416121501	SET SCREW (M4x8 A)
28	416116101	E-RING (ETW-4)
30	416158001	ARM SHAFT BALANCE PIN CPL.
33	68001130	BELT
#3	68001134	THREAD TAKE UP LEVER CPL.

NOT Available

1	68000138	ARM SHAFT
2	68000139	ARM SHAFT BALANCE
3	68000140	SET SCREW (M5x6 C)
4	416117601	SPRING PIN (3x18)
5	416125801	ENDURE ATTRITION WASHER (8.2x12x0.5)
7	68000144	ARM SHAFT COLLAR
8	416122401	SET SCREW (M4x4 C)
9	68000146	ARM SHAFT WORM
10	416122101	SET SCREW (M4x6 C)
11	68000149	FEED CAM
12	68000150	CRANK CONNECTING ROD CAM
13	68000152	CRANK CONNECTING ROD
15	68000154	CRANK CONNECTING ROD COVER
16	416126101	WASHER (4.2x7.2x1.2)
18	416680401	SPRING PIN (3x28)
21	68000160	ARM SHAFT DRIVER BELT PULLEY
22	416116401	E-RING (ETW-6)
24	416161701	ARM SHAFT BUSHING HOLDER PLATE
26	416187801	THREAD TAKE UP LEVER
27	416157901	THREAD TAKE UP LEVER SUPPORTER
29	416162201	THREAD TAKE UP LEVER SUPPORTER SHAFT
31	68001122	LOWER SHAFT GEAR BUSHING
32	416152201	SET WASHER
34	68001136	SWIVEL INLET GASKET
35	68001124	FEED CAM BUSHING
#1	68001137	ARM SHAFT WORM CPL.
#2	68001152	CRANK CONNECTING ROD CPL.
#4	68013298	FEED CAM BUSHING CPL.

C



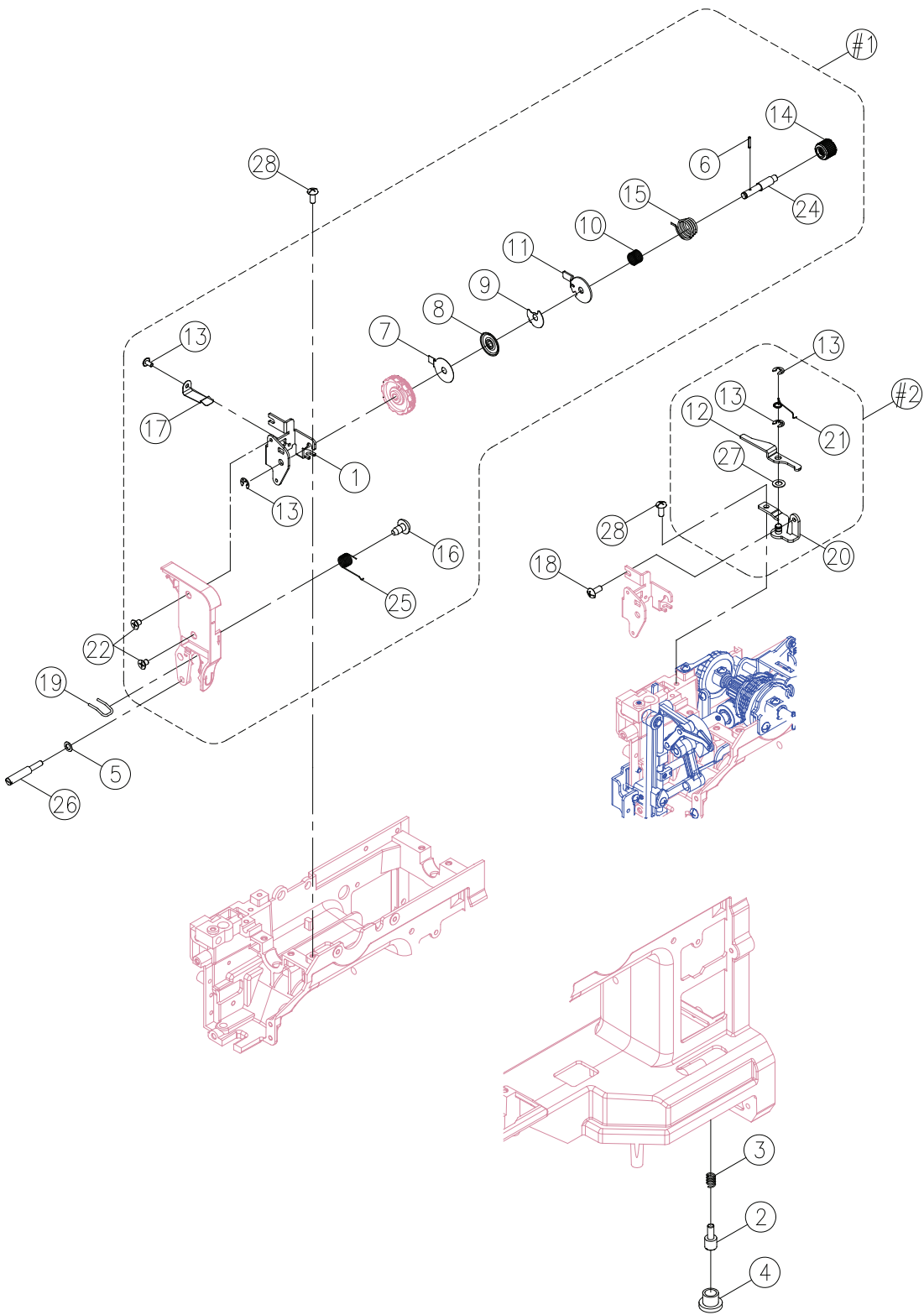
Available parts

Ref No	Part No	Part Name
16	416119201	SET SCREW (M3x6 A)
22	416116001	E-RING (ETW-3)
24	416126801	NUT (M4x0.7)
25	416121501	SET SCREW (M4x8 A)
28	416116101	E-RING (ETW-4)
#1	68001140	PATTERN CAM CONTACT

NOT Available

1	68013174	PATTERN CAM CONTACT PLATE (FRONT)
2	68000173	FEED CRANK
3	68001107	PATTERN SELECTOR CAM SHAFT
4	416183901	SPRING PIN (2.5x16)
5	68001201	FEED REGULATOR CAM
6	68001202	PATTERN SELECTOR CAM
7	416185001	SET SCREW (M3.5x8 A)
8	416186501	WASHER (8.2x12x0.5)
9	68001205	PATTERN CAM
10	416165501	PATTERN CAM SPRING
11	416186101	WASHER (3.2x8x0.8)
12	416116401	E-RING (ETW-6)
13	68001210	CONTACT SUPPORTER SHAFT
14	416517401	ZIGZAG RELEASE PLATE
15	68001213	ZIGZAG CAM CONTACT SUPPORTER
17	416517701	ZIGZAG CAM CONTACT
18	416517801	ZIGZAG CAM CONTACT SPRING
19	416183801	E-RING (ETW-5)
20	68001224	WASHER (6.6x13.8x0.5)
21	68001226	FEED ROD
23	416518401	SET SCREW (M3x8 A)
26	68001231	FEED REGULATING SHAFT
27	68001233	FEED REGULATOR SET PLATE
29	68001237	FEED REGULATING SPRING
30	68001282	FEED REGULATING PLATE CPL.
31	416225801	CS-RING (CSTW-4)
32	416155001	AUTO THREADER LEVER SPRING
33	416122701	SET SCREW (M4x12)
34	416122101	SET SCREW (M4x6 C)
35	68001242	REVERSE ROD
36	416116301	E-RING (ETW-5)
37	68001246	FEED REGULATING SHAFT
38	68001248	FEED REGULATING

D



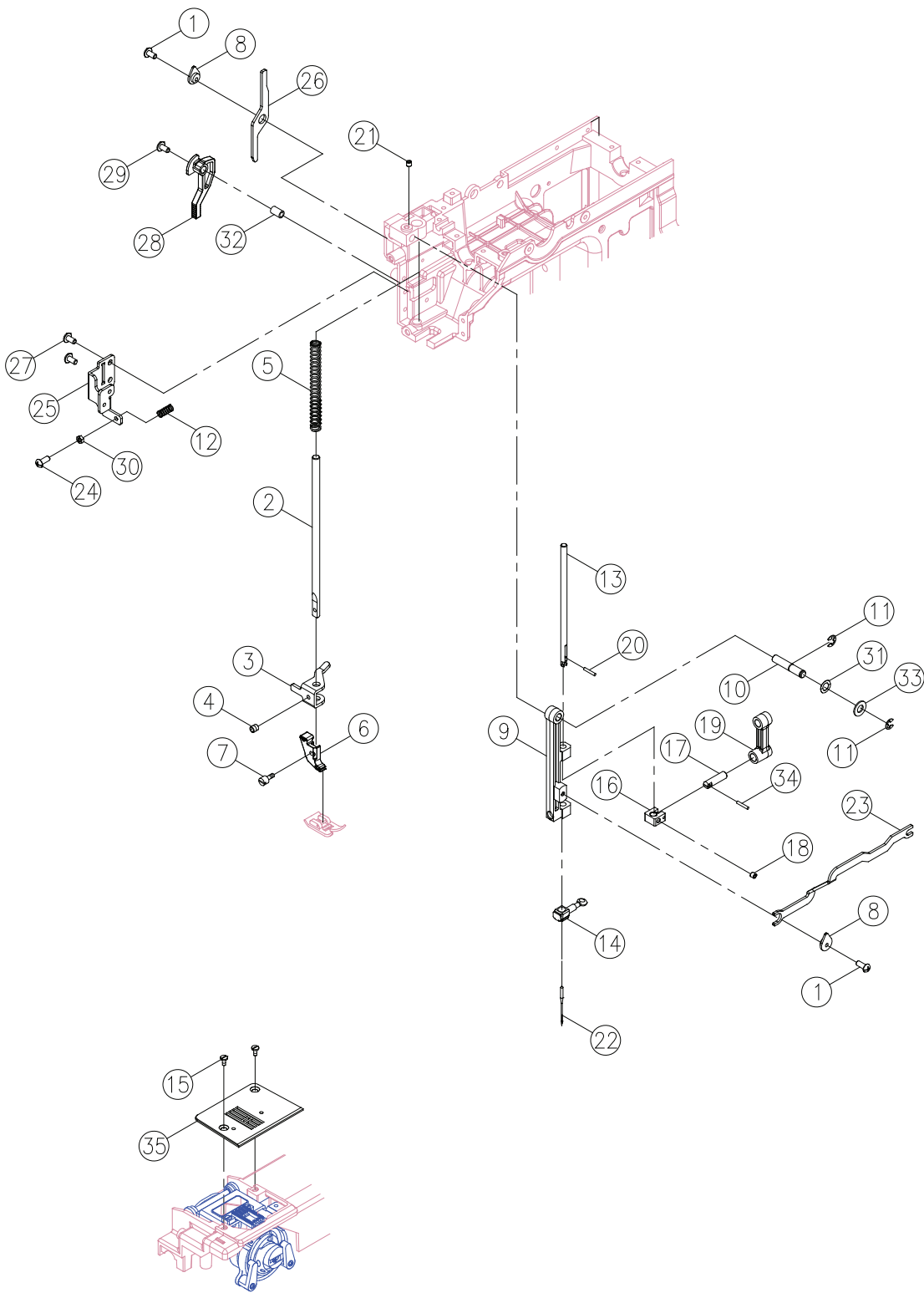
Available parts

Ref No	Part No	Part Name
3	416154401	BASE PLATE ADJUSTMENT SCREW SPRING
4	416147001	FREE ARM BASE CUSHION RUBBER
5	416124101	WASHER (4.2x8x0.8)
19	416198701	THREAD GUIDE
22	416184501	SET SCREW (M3x6)
23	416119201	SET SCREW (M3x6 A)
28	416121501	SET SCREW (M4x8 A)
#2	68001142	MOVEMENT PLATE SUPPORTER

NOT Available

1	68001289	DIAL TENSION SUPPORTER PLATE
2	416154601	BASE PLATE ADJUSTMENT SCREW
6	68001290	SPRING PIN (1.6x10)
7	68001291	DIAL TENSION BRACKET
8	68001292	DIAL TENSION PLATE
9	68001293	INTERMEDIUM PLATE
10	68001294	DIAL TENSION SPRING
11	68001295	INTERMEDIUM PLATE
12	68001296	DIAL TENSION WAFT PLATE
13	416116201	E-RING (ETW-4)
14	68001298	DIAL TENSION ADJUSTMENT KNOB
15	68001304	THREAD GUIDE SPRING
16	416718201	SET SCREW (M3x5)
17	68001301	DIAL TENSION ADJUSTMENT PLATE
18	416121201	SCREW (M4x6 B)
20	68001312	MOVEMENT PLATE SUPPORTER CPL.
21	68001305	SPRING
24	68001307	DIAL TENSION SHAFT
25	68001308	THREAD TAKE SPRING
26	416123001	SET SCREW (M4x14 L=37)
27	416124501	WASHER (5.2x10x0.5)
#1	68013184	DIAL TENSION SUPPORTER PLATE CPL.

E



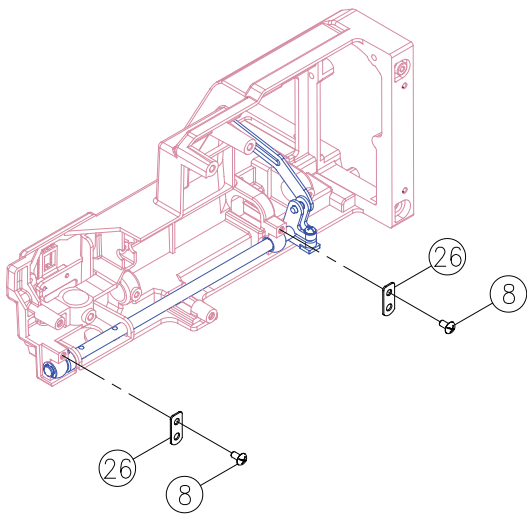
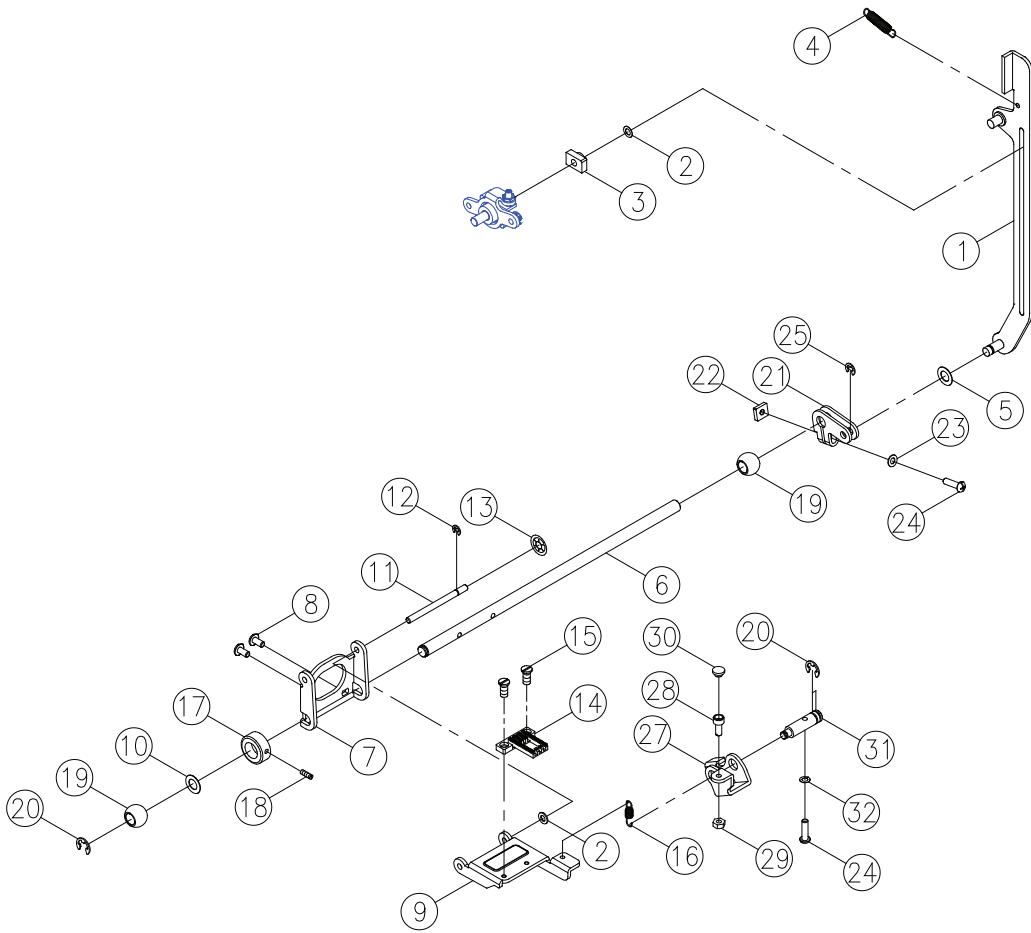
Available parts

Ref No	Part No	Part Name
1	416120201	SET SCREW (M3x10 A)
6	416495501	SHANK CPL.
11	416116101	E-RING (ETW-4)
14	68003221	NEEDLE CLAMP CPL.
15	416122901	SET SCREW (M4x6)
21	416121001	SET SCREW (M4x5 C)
24	416121701	SCREW (M4x15 B)
27	416121501	SET SCREW (M4x8 A)
28	68001135	PRESSER BAR LIFTER LEVER
30	416126801	NUT (M4x0.7)

NOT Available

2	68013127	PRESSER BAR
3	68001160	PRESSER BAR BRACKET
4	416226801	SET SCREW (M4x8 C)
5	68013128	PRESSER BAR SPRING
7	416118401	SHANK SCREW (9/64x40x8)
8	68001189	ADJUSTMENT BUTTON
9	68001165	NEEDLE BAR SUPPORTER
10	416189301	NEEDLE BAR SUPPORTER PIN
12	416157401	NEEDLE BAR SUPPORTER SPRING
13	68001168	NEEDLE BAR
16	68001170	NEEDLE BAR BRACKET (1)
17	68001171	NEEDLE BAR BROCKET PIN
18	416122401	SET SCREW (M4x4 C)
19	68001174	NEEDLE BAR CRANK ROD
20	68001175	SPRING PIN (1.5x4)
22		NEEDLE
23	68001178	NEEDLE BAR DRIVING ROD
25	68001180	REVERSE LEVER
26	68001181	TENSION LEVER LIFTER
29	68001182	SCREW (M4x15 A)
31	68013151	SPRING WASHER (6.2x12x2x0.15)
32	68001186	SCREW TUBE
33	416185801	WASHER (6.5x13x1)
34	416572001	PIN
35	68013152	NEEDLE PLATE

F



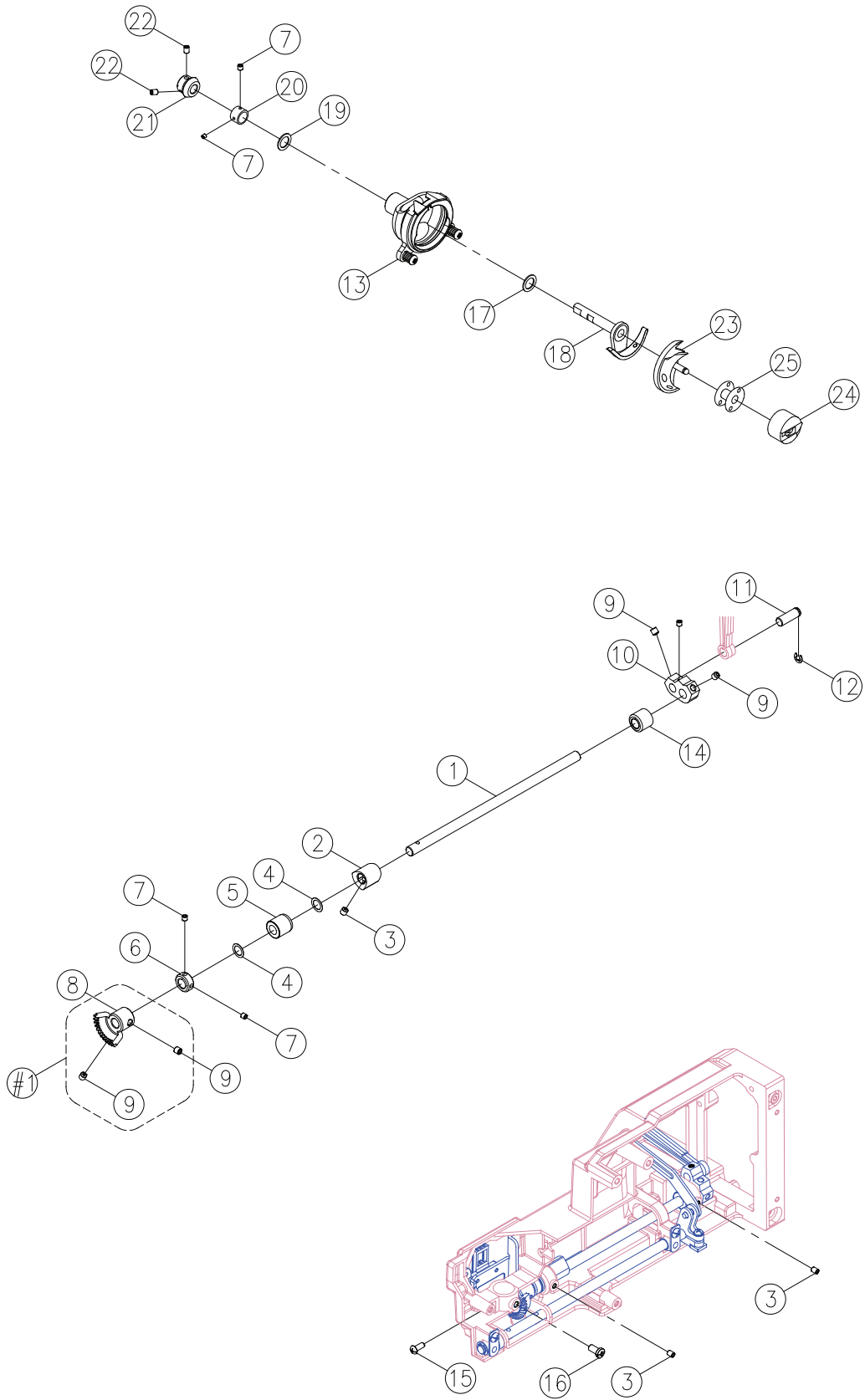
Available parts

Ref No	Part No	Part Name
8	416121501	SET SCREW (M4x8 A)
12	416116001	E-RING (ETW-3)
14	416171601	FEED DOG
16	270 V60533003	FEED DOG FRAME SPRING
24	416121701	SET SCREW (M4x15 B)
25	416116101	E-RING (ETW-4)
30	416154401	SEW SCREW KNOB

NOT Available

1	68001314	FORK ROD CPL.
2	416125201	ENDURE ATTRITION WASHER (5.7x10.2x0.5)
3	416158601	FEED REGULATING BLOCK
4	416795201	FORK ROD SPRING
5	416125501	ENDURE ATTRITION WASHER (5.5x12x0.25)
6	68001320	FEED ROCK SHAFT
7	416164001	FEED ROCK FRAME
9	416164101	FEED DOG FRAME
10	416125401	ENDURE ATTRITION WASHER (8.2x12x0.25)
11	416164201	FEED DOG FRAME SHAFT
13	416117901	NUT (SPN-4)
15	416528801	SET SCREW (M3x5 B)
17	416151801	PATTERN CAM SHAFT COLLAR
18	416122401	SET SCREW (M4x4 C)
19	416162701	FEED ROCK BUSHING
20	416116401	E-RING (ETW-6)
21	68001343	FEED ROCK CRANK
22	416126701	FEED ROCK CRANK NUT (M4)
23	416123901	WASHER (4x8x0.5)
26	416164601	BUSHING HOLDER PLATE
27	416164801	FEED LIFTING ROCK CRANK
28	416123701	SEW SCREW
29	416126501	NUT (M4 t=3)
31	416164901	FEED LIFTING ROCK SHAFT
32	416126101	WASHER (4.2x7.2x1.2)

G



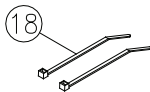
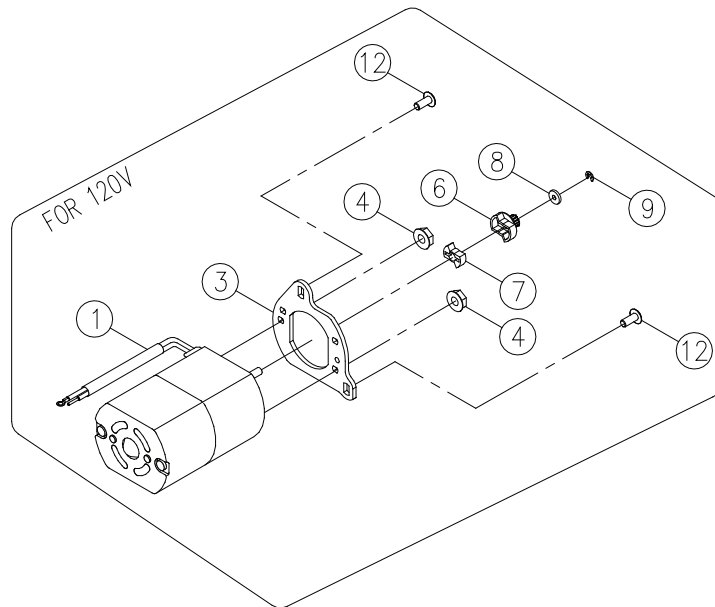
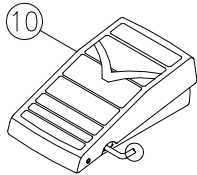
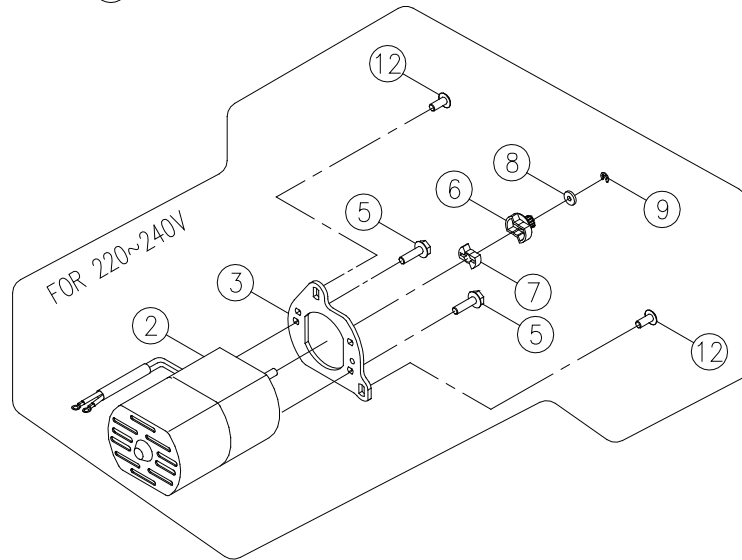
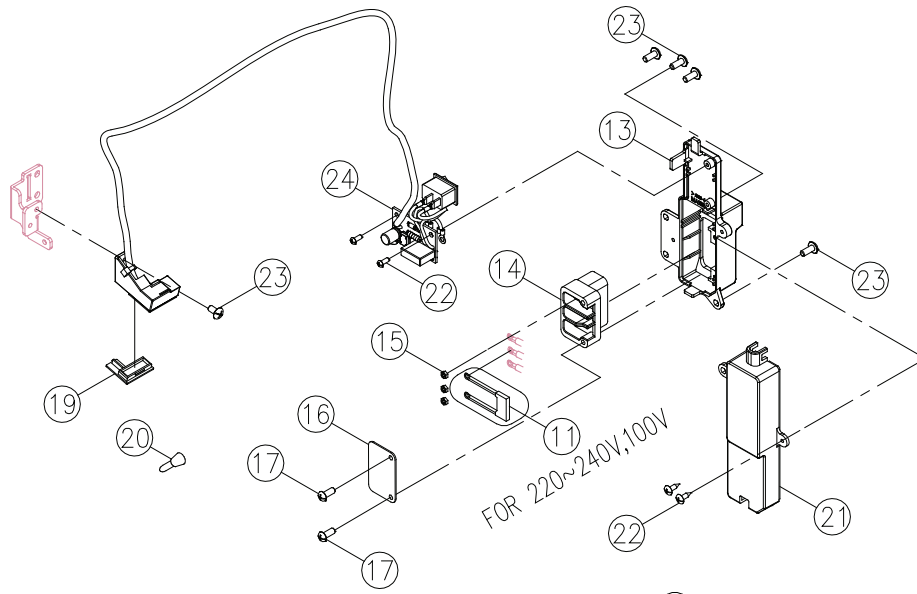
Available parts

Ref No	Part No	Part Name
8	270 G4A1573000	LOWER SHAFT GEAR
13	68000176	OPEN SHUTTLE RACE CPL.
15	416121101	SET SCREW (M4x10 B)
18	68000174	SHUTTLE DRIVER CPL.
21	270 G4A1583000	SHUTTLE DRIVER SHAFT GEAR
23	416392101	SHUTTLE HOOK
24	416153401	BOBBIN CASE CPL.
25	68000175	BOBBIN
#1	416245801	LOWER SHAFT GEAR CPL.

NOT Available

1	68001353	LOWER SHAFT
2	416520701	FEED LIFTING ROCK CAM
3	416122101	SET SCREW (M4x6 C)
4	416125401	ENDURE ATTRITION WASHER (8.2x12x0.25)
5	416141701	FEED ROCK BUSHING
6	416158801	LOWER SHAFT COLLAR
7	416122401	SET SCREW (M4x4 C)
9	416123601	SET SCREW (M5x5 C)
10	68001362	CRANK CONNECTING ROD CRANK
11	68001363	CRANK CONNECTING ROD CRANK PIN
12	416116301	E-RING (ETW-5)
14	68001391	FEED ROCK BUSHING
16	68013169	SET SCREW (M5x10 B)
17	416125701	ENDURE ATTRITION WASHER (7.6x12x0.13)
19	416125301	ENDURE ATTRITION WASHER (8.2x16x0.5)
20	416153101	SHUTTLE DRIVER SHAFT COLLAR
22	416118701	SET SCREW (11/64x40x4)

H

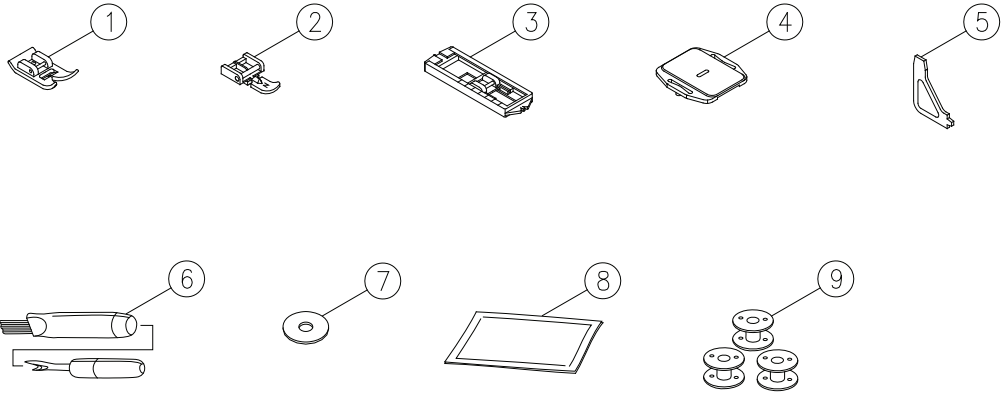


Available parts

Ref No	Part No	Part Name
1	68001143	MOTOR (FOR 120V)
2	68001144	MOTOR (FOR 230V / EU)
7	416129401	CUSHION RUBBER
9	416116001	E-RING (ETW-3)
10	68001147	FOOT CONTROLLER (FOR 230V / EU)
10	270 002V8E4003	FOOT CONTROLLER (FOR 120V)
14	416184701	RECEPTACLE
23	416121501	SET SCREW (M4x8 A)
24	68003832	LED HOLDER CPL. (FOR 230V / EU)

NOT Available

3	68001396	MOTOR BRACKET
4	416528501	NUT (M4 t=5.5) (FOR 120V)
5	416521501	SET SCREW (M4x10.2) (FOR 120V)
6	416428701	BELT WHEEL
8	416114001	MOTOR FEED REGULATOR COLLAR
11	68013175	CONDENSER (FOR 220V-240V)
11	416796101	CONDENSER (FOR 100V)
12	68013176	SET SCREW (M5x12)
13	68013177	RECEPTACLE HOLDER
15	416528701	NUT (M3x4)
16	416183601	CONCERT INSULATION PLATE
17	68001407	SET SCREW (M3x22 B)
18	416113901	CORD CLIP
19	68001416	LAMPSHADE
20	416133001	END TERMED
21	68001410	RECEPTACLE HOLDER COVER
22	416681501	SET SCREW (M3x8.5)
24	68013179	LED HOLDER CPL. (FOR 120V)



Available parts

Ref No	Part No	Part Name
1	416128401	ALL PURPOSE FOOT
2	416128701	ZIPPER FOOT (I)
3	416128901	BUTTONHOLE FOOT (B)
4	416127901	FELT PAD
5	68000177	L-SCREWDRIVER
6	416127701	SEAM RIPPER/ BRUSH
7	416127301	SPOOL PIN FELT
9	68000175	BOBBIN

NOT Available

8 NEEDLE