

SINGER[®]

Sewing Machine XL-50 LIST OF PARTS

SINGER®

* Copyright C 1996 SINGER
All Rights Reserved Throughout the World

* A Trademark of THE SINGER COMPANY

List of parts

Sewing Machine

Professional XL-50

CONTENTS

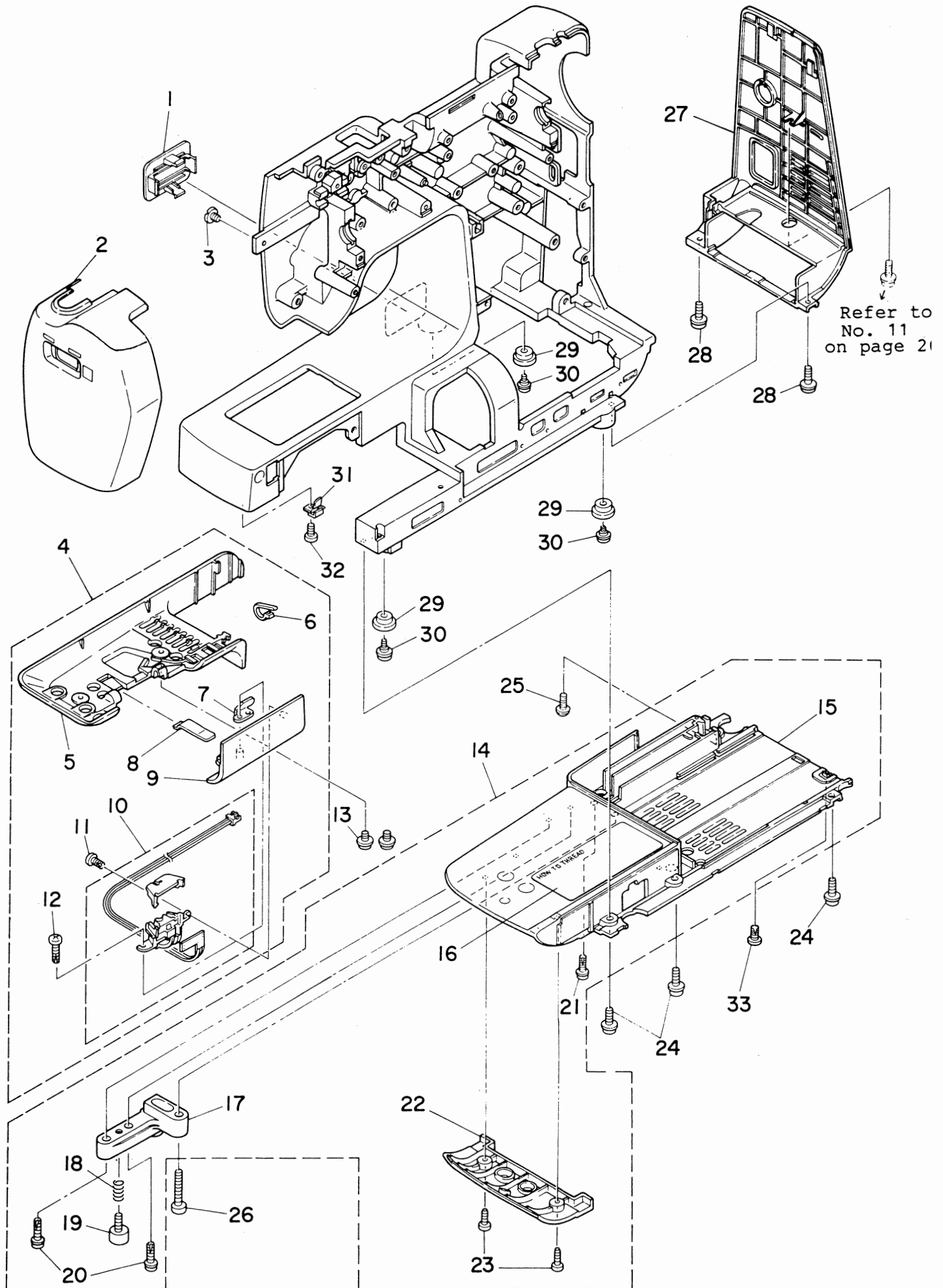
	(Page)
1. COVER COMPONENTS -----	1
2. THREAD GUIDE COVER, MICRO COMPUTER CIRCUIT BOARD COMPONENTS -----	3
3. FRONT PANEL COMPONENTS -----	5
4. MAIN SHAFT, IDLER PULLEY COMPONENTS -----	7
5. FACE PLATE, ENCODER, SOLENOID No.1 COMPONENTS -----	9
6. SOLENOID No.2, THREAD SENSOR GUIDE, TENSION RELEASING PLATE COMPONENTS -----	11
7. NEEDLE BAR, PRESSER BAR COMPONENTS -----	13
8. THREAD TRIMMER LINK, MOVING KNIFE COMPONENTS -----	15
9. HOOK, HOOK DRIVING SHAFT COMPONENTS -----	17
10. FEED DOG, FEED ROCK SHAFT COMPONENTS -----	19
11. BOBBIN WINDER COMPONENTS -----	21
12. NEEDLE BAR ROCKING STM, FEED STM COMPONENTS -----	23
13. POWER CIRCUIT BOARD, MAIN MOTOR COMPONENTS -----	25
14. ACCESSORIES PARTS COMPONENTS -----	27
15. OPTINAL PARTS -----	27

(Note)

The part which has an asterisk (*) before its part number is not separately available as a spare part so that the accuracy in assembling and smoothness in component investigation are assured.

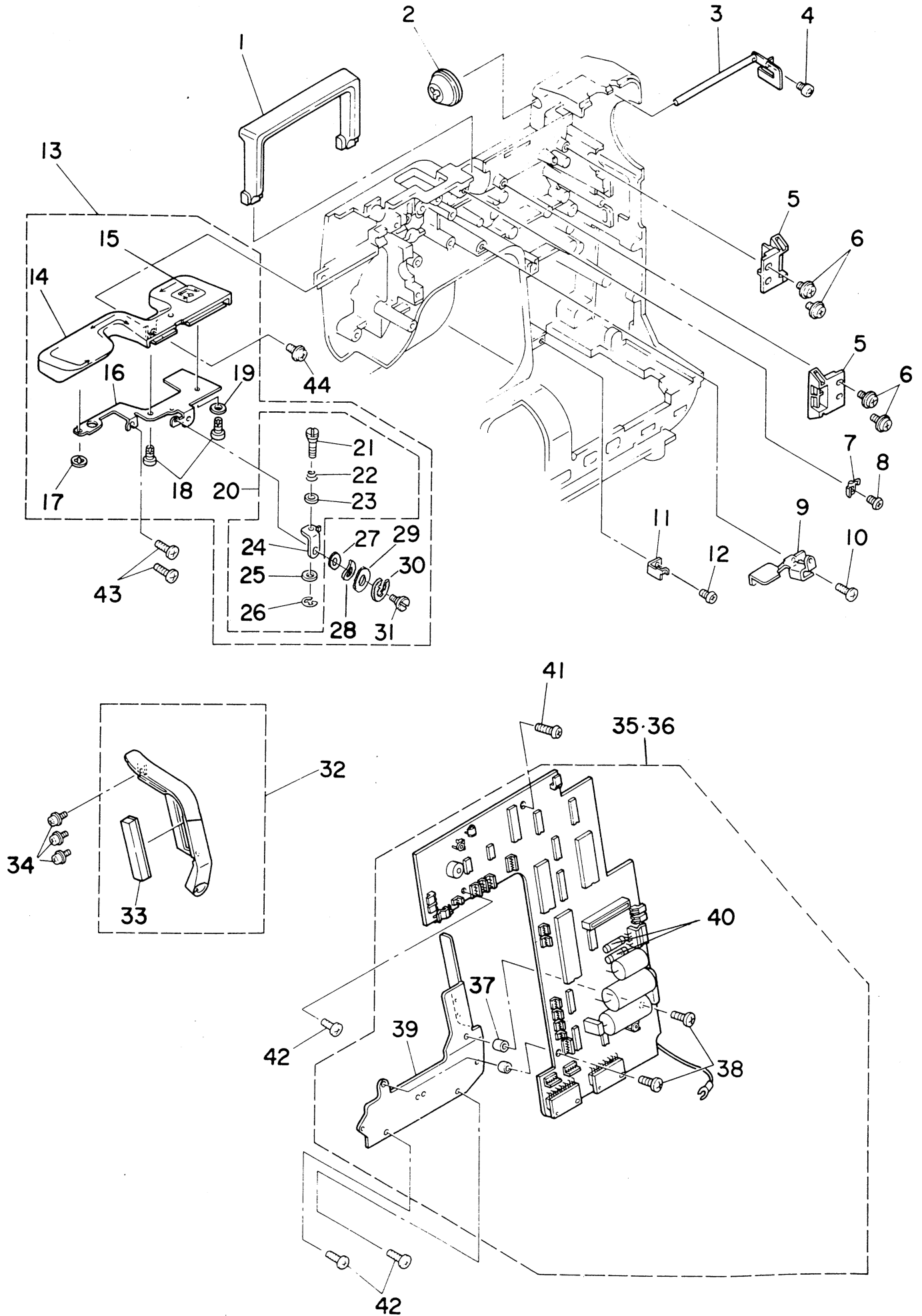
Consequently, please place your order using the part number of assembly containig the part.

1. COVER COMPONENTS



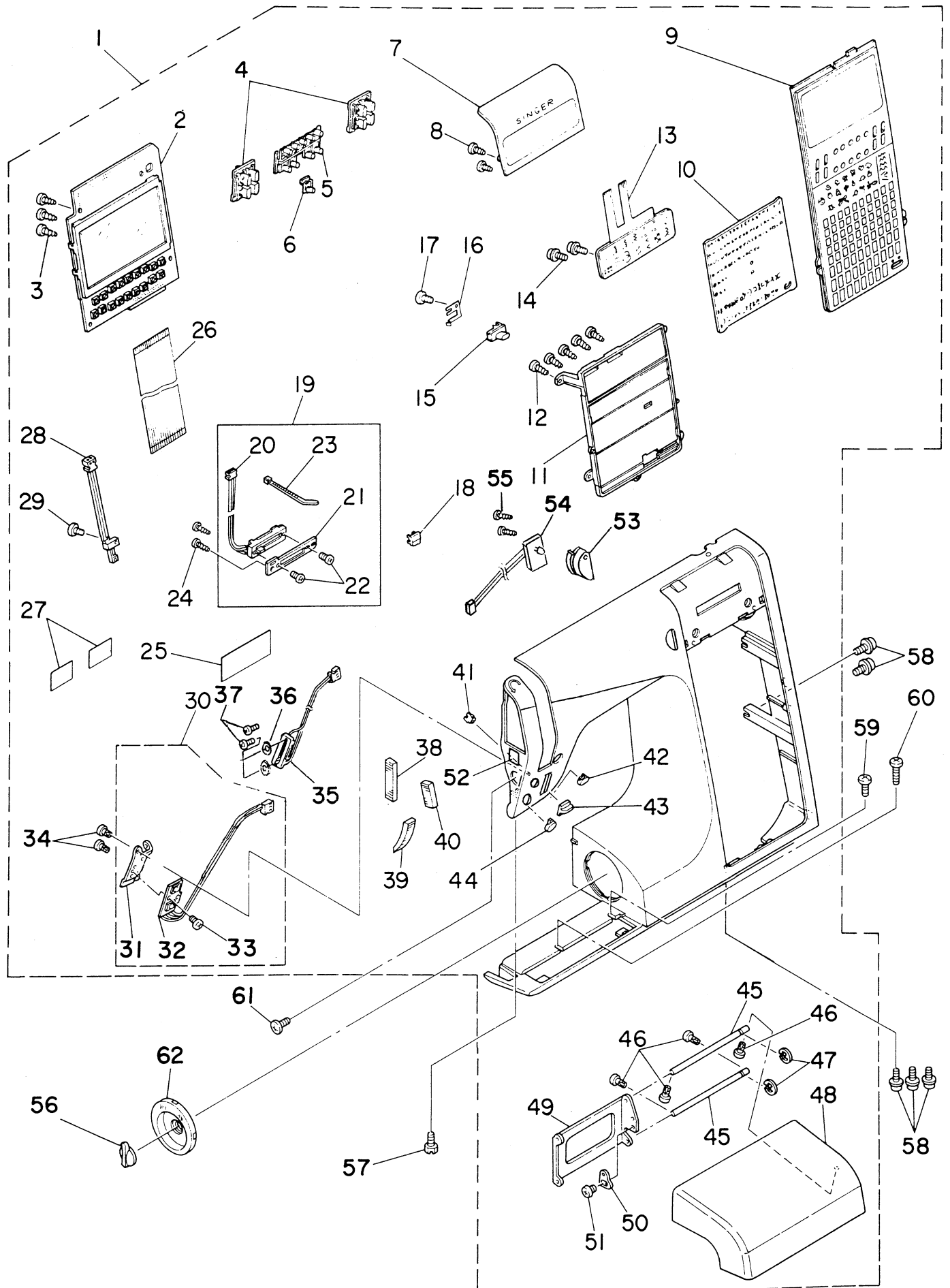
Ref No.	Note	Part No.	Part Description	Qty
1		283572	Rear cover	1
2		386752	Face plate cover	1
3		283257	Screw	1
4		283574	Cylinder bed bottom cover (asm.)	1
5		283573	Cylinder bed bottom cover	(1)
6		283355	Band	(1)
7		283008	Looper cutter removing plate	(1)
8		283006	Spring	(1)
9		283575	Hook cover	(1)
10		283009	Bobbin thread detector box (asm.)	(1)
11		283520	Screw	(1)
12		283523	Screw	(1)
13		283468	Screw	2
14		386748	Under side cover (asm.)	1
15		283582	Under side cover	(1)
16		386759	Threading diagram	(1)
17		283034	Metal fitting	(1)
18		283026	Spring	(1)
19		283025	Screw	(1)
20		283523	Screw	(2)
21		283471	Screw	(1)
22		283586	Under side cover lid	(1)
23		283523	Screw	(2)
24		283470	Screw	3
25		283504	Screw	1
26		283484	Screw	1
27		386721	Belt cover	1
28		283470	Screw	2
29		283029	Rubber washer	3
30		283038	Screw	3
31		283037	Aux.bed retainer receiving plate (asm.)	1
32		283491	Screw	1

2. THREAD GUIDE COVER,
 MICRO COMPUTER CIRCUIT BOARD COMPONENTS



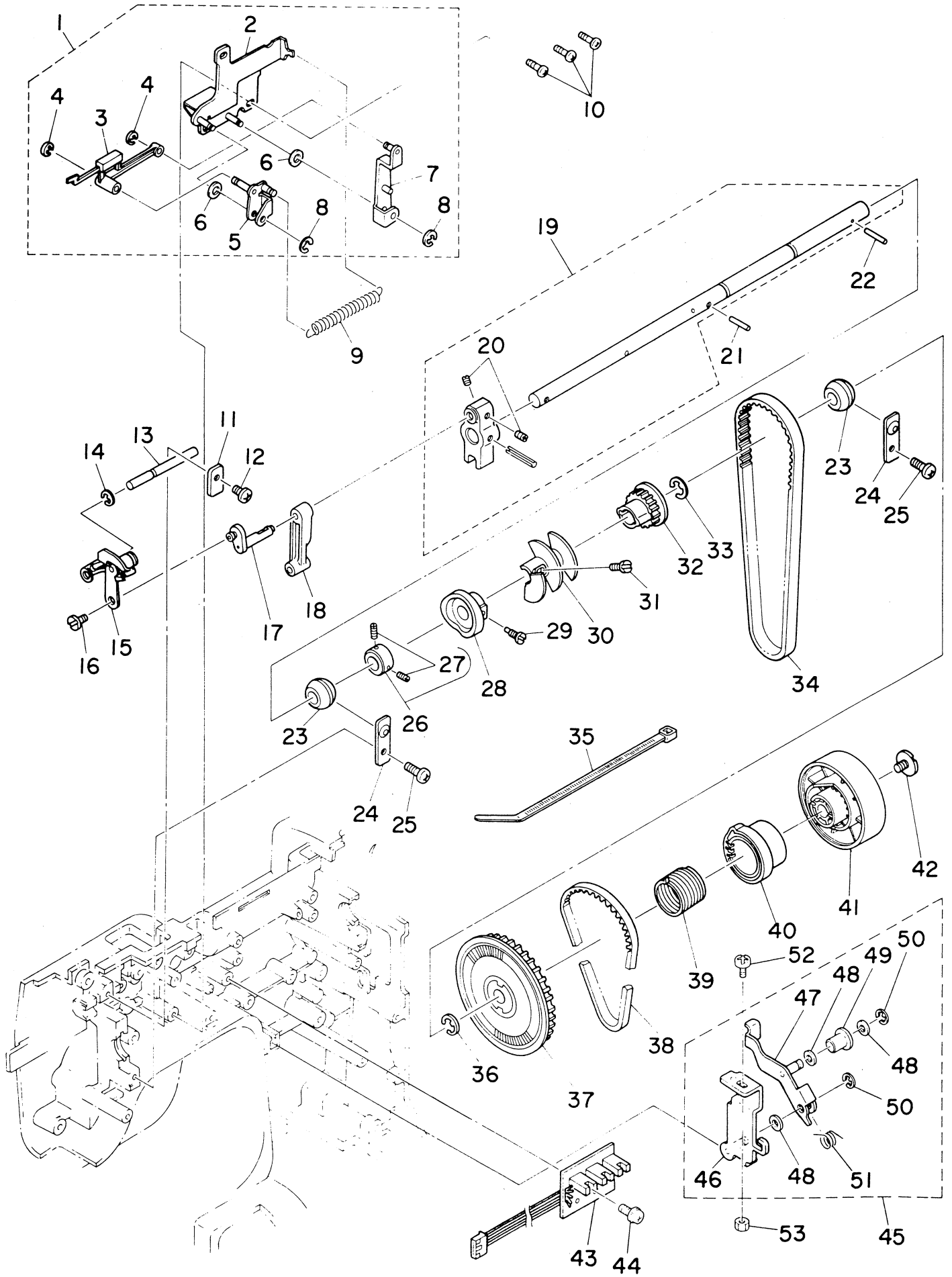
Ref No.	Note	Part No.	Part Description	Qty
1		283576	Handle	1
2		283581	Thread spool cap (asm.)	1
3		283012	Spool pin (asm.)	1
4		283483	Screw	1
5		283011	Handle retaining plate	2
6		283474	Screw	4
7		283337	Metal fitting (B)	1
8		283491	Screw	1
9		283352	Metal fitting	1
10		283491	Screw	1
11		283336	Metal fitting (A)	1
12		283491	Screw	1
13		386749	Thread guide cover (A) (asm.)	1
14		283577	Thread guide cover (A)	(1)
15		386760	Instruction seal	(1)
16		283018	Thread guide cover attaching plate	(1)
17		283013	Locknut	(1)
18		283522	Screw	(2)
19		283696	Washer	(1)
20		283021	Thread guide base (asm.)	(1)
21	*	283313	Thread guide disk shaft	(1)
22	*	283312	Thread guide spring	(1)
23	*	283311	Thread guide disk	(1)
24	*	283019	Thread guide base	(1)
25	*	283315	Thread guide disk shaft washer	(1)
26	*	283314	Arch-shapped E ring	(1)
27		283529	Washer	(1)
28		283147	Spring washer	(1)
29		386762	Washer	(1)
30		283459	E ring	(1)
31		386761	Screw	(1)
32		386750	Thread guide cover (B) (asm.)	1
33		283014	Thread guide cover (B) pile	(1)
34		283469	Screw	3
35		386756	M.computer c. board (asm.)---USA/TWN	1
36		386757	M.computer c. board (asm.)---BS/KEMA/SPN/TUR/S-AF/GR/ITA/GER	1
37	*	283354	Washer	(2)
38	*	283493	Screw	(2)
39	*	283353	STM-IC radiation plate	(1)
40		386763	Fuse	(2)
41		283493	Screw	1
42		283491	Screw	3
43		283491	Screw	2
44		283471	Screw	1

3. FRONT PANEL COMPONENTS



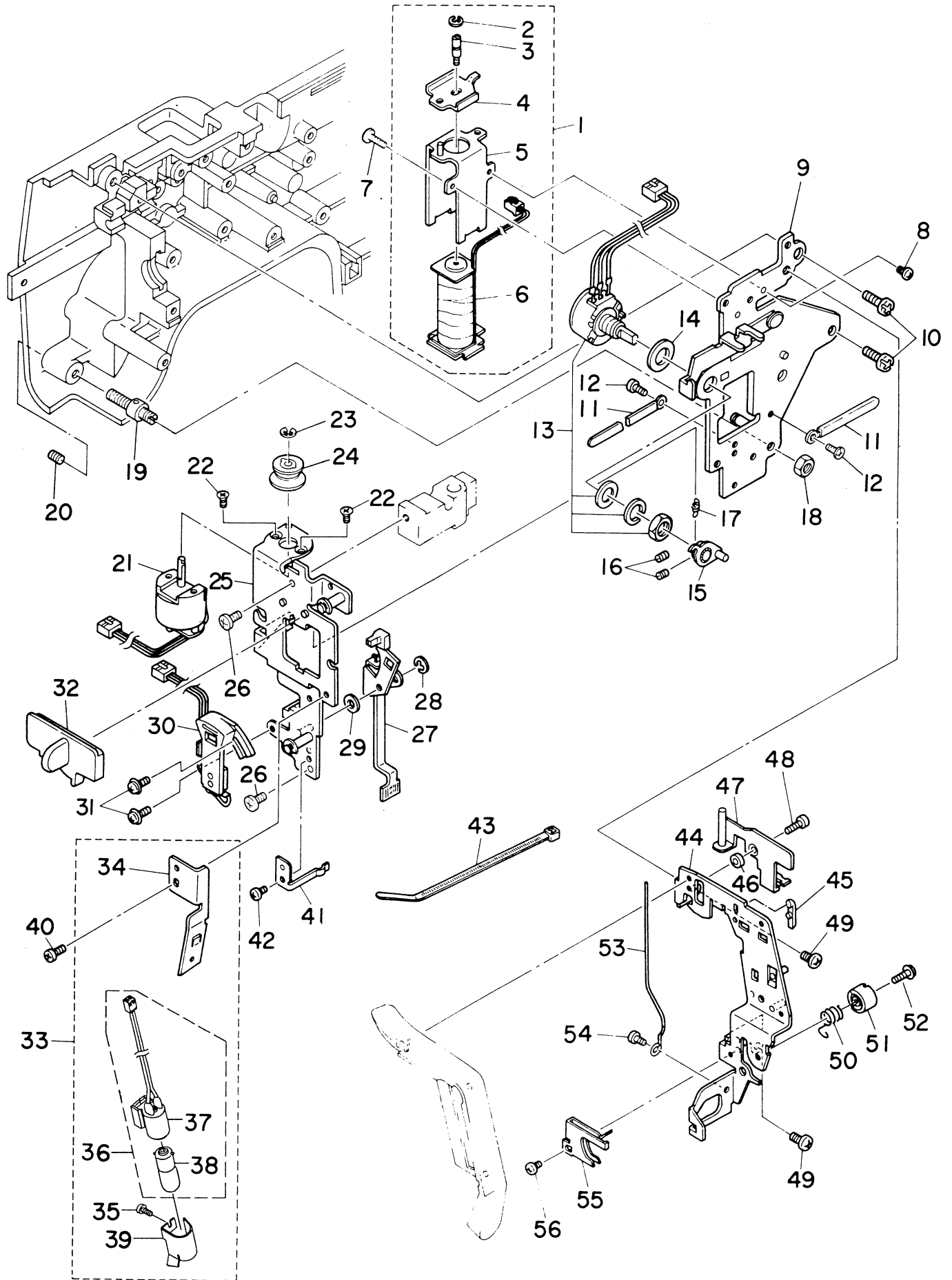
Ref No.	Note	Part No.	Part Description	Qty
1		386753	Front panel (asm.)	1
2		283621	Indicator circuit board (asm.)	(1)
3		283522	Screw	(3)
4		283625	Shift SW key top	(2)
5		386764	Function SW key top (A)	(1)
6		386765	Function SW key top (B)	(1)
7		283628	Panel SW base	(1)
8		283695	Screw	(2)
9		386766	Pattern display panel	(1)
10		386767	Pattern indicator panel	(1)
11		283627	Pattern indicator panel fixing plate	(1)
12		283522	Screw	(5)
13		386758	Panel SW (asm.)	(1)
14		283692	Screw	(2)
15		283623	Selector knob	(1)
16		283330	Leaf spring	(1)
17		283525	Screw	(1)
18		283632	LCD VR.knob	(1)
19		283631	LCD VR. mounting plate (asm.)	(1)
20		283633	LCD VR. (asm.)	(1)
21		283630	LCD VR. mounting plate	(1)
22		283478	Screw	(2)
23		283355	Band	(1)
24		283522	Screw	(2)
25		283634	LCD VR. lead tape	(1)
26		283646	Indicator wiring	(1)
27		283335	Start SW lead tape	(2)
28		283635	Selector SW.(asm.)	(1)
29		283525	Screw	(1)
30		386768	Start SW mounting plate (asm.)	(1)
31		386770	Start SW mounting plate	(1)
32		386771	SW circuit board (asm.)	(1)
33		283486	Screw	(1)
34		283522	Screw	(2)
35		386769	Slide volume (asm.)	(1)
36		386778	Washer	(2)
37		283478	Screw	(2)
38		283295	Thread take-up lever cover pile (B)	(1)
39		283296	Thread take-up lever cover pile (A)	(1)
40		283297	Thread take-up lever cover pile (C)	(1)
41		386772	Slide volume connecting plate	(1)
42		386773	Reverse stitch button	(1)
43		283657	Sewing speed setting lever	(1)
44		386774	Start/Stop button	(1)
45		283032	Fulcrum shaft	(2)
46		283524	Screw	(4)
47		283459	E ring	(2)
48		283584	Auxiliary bed	(1)
49		283031	Hinge	(1)
50		283035	Hinge adjuster plate	(1)
51		283498	Screw	(1)
52		283616	Lamp caution label	(1)
53		386775	Automatic back tuck button	(1)
54		386776	Automatic back tuck SW circuit board (asm.)	(1)
55		283522	Screw	(2)
56		386777	Stitch balance control	1
57		283517	Screw	1
58		283470	Screw	5
59		283491	Screw	1
60		283495	Screw	1
61		283491	Screw	1
62		283637	Stitch balance control lid	1

4. MAIN SHAFT, IDLER PULLEY COMPONENTS



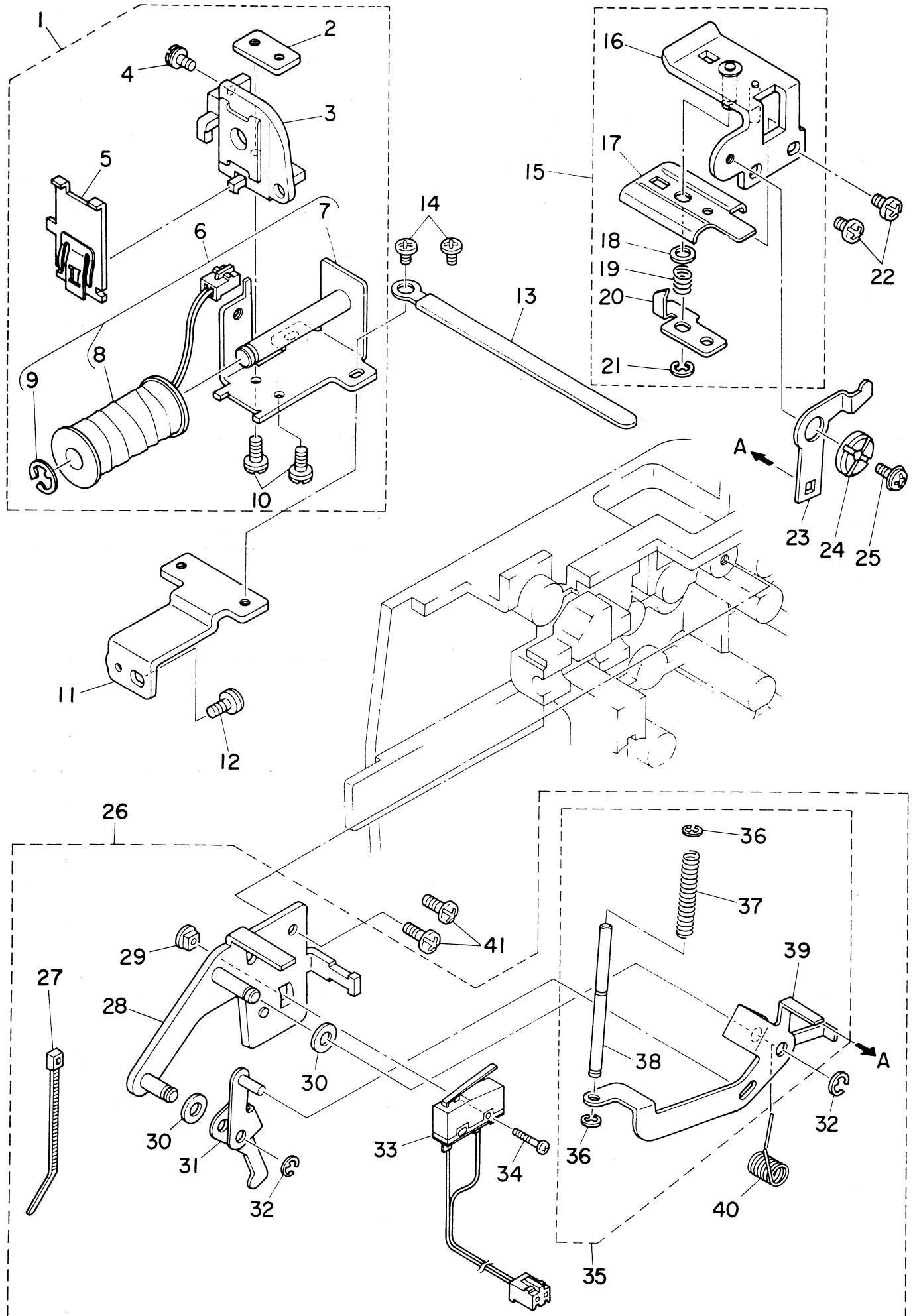
Ref No.	Note	Part No.	Part Description	Qty
1		283260	Thread pulling link attaching plate (master asm.)	1
2		283259	Thread pulling link attaching plate (asm.)	(1)
3		283264	Thread pulling lever	(1)
4		283459	E ring	(2)
5		283262	Thread pulling link (B) (asm.)	(1)
6		283528	Washer	(2)
7		283261	Thread pulling link (A) (asm.)	(1)
8		283460	E ring	(2)
9		283265	Thread pulling lever spring	1
10		283502	Screw	3
11		283070	Supporting shaft retaining plate	1
12		283502	Screw	1
13		283207	Thread take-up lever supporting shaft	1
14		283461	E ring	1
15		283206	Thread take-up lever (asm.)	1
16		283051	End screw (left)	1
17		283049	Needle bar crank	1
18		283061	Needle bar crank rod	1
19		283043	Main shaft (asm.)	1
20		283516	Screw	(2)
21		386098	Pin	1
22		386779	Pin	1
23		283045	Main shaft bushing	2
24		283046	Main shaft bushing retaining plate	2
25		283502	Screw	2
26		283044	Main shaft thrust collar (asm.)	1
27		283516	Screw	(2)
28		283047	Delivery cam	1
29		283048	Screw	1
30		283588	Main shaft detector shielding plate	1
31		283473	Screw	1
32		283052	Main shaft pulley	1
33		283464	E ring	1
34		283372	Timing belt (large)	1
35		283355	Band	1
36		283464	E ring	1
37		283055	Motor pulley	1
38		283373	Motor timing belt	1
39		283057	Clutch spring	1
40		283056	Clutch spring holder	1
41		283589	Handwheel	1
42		283054	Screw	1
43		283642	Main shaft detector circuit board (asm.)	1
44		283470	Screw	1
45		283378	Idler (asm.)	1
46	*	283379	Idler base (asm.)	(1)
47	*	283380	Idler link (asm.)	(1)
48	*	283530	Washer	(3)
49	*	283377	Idler	(1)
50	*	283460	E ring	(2)
51	*	283381	Idler twisting spring	(1)
52		283481	Screw	1
53		283451	Nut	1

5. FACE PLATE, ENCODER, SOLENOID No.1 COMPONENTS



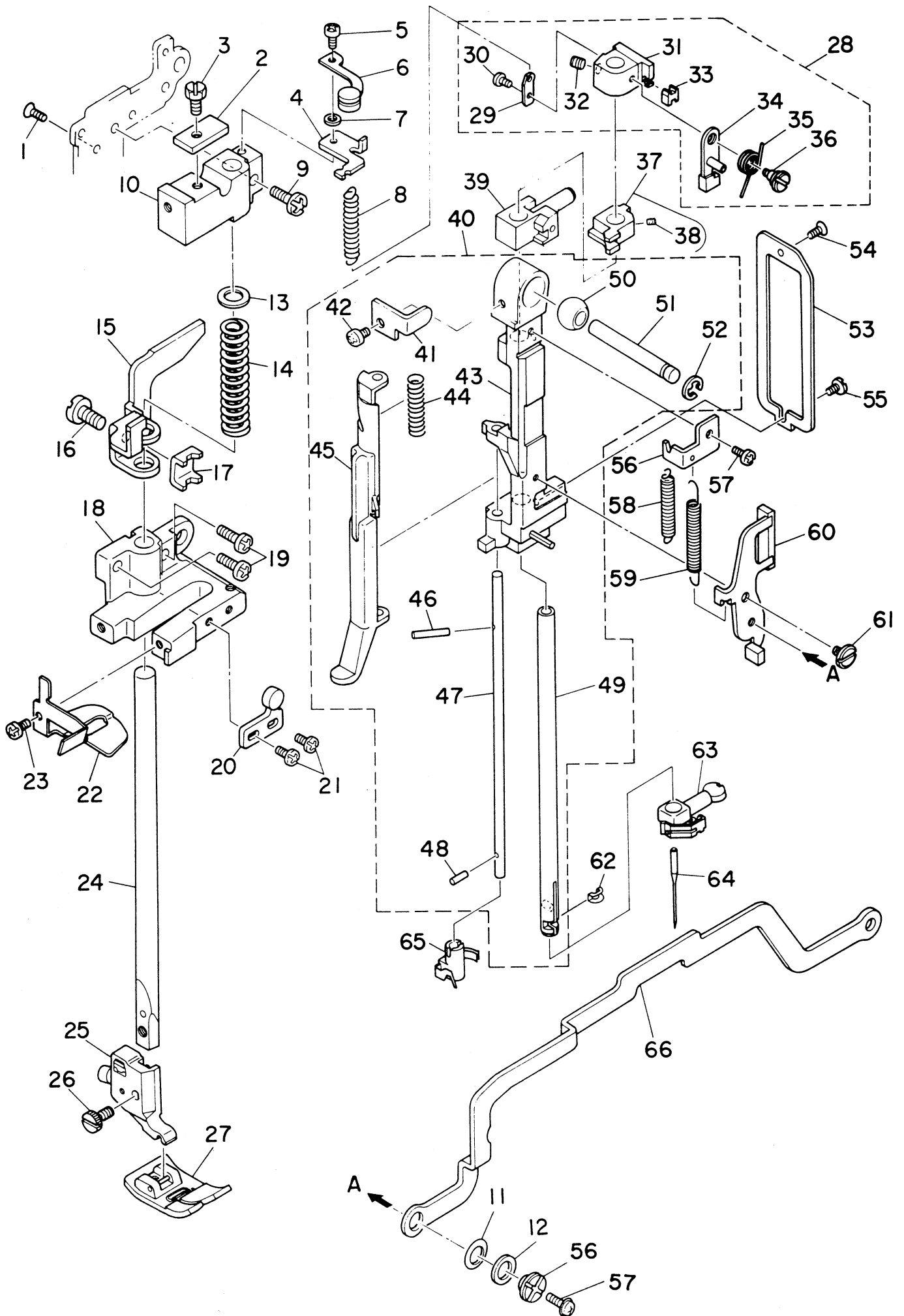
Ref No.	Note	Part No.	Part Description	Qty
1		283221	Solenoid No.1 (asm.)	1
2	*	283459	E ring	(1)
3	*	283220	Solenoid No.1 shaft	(1)
4	*	283219	Solenoid No.1 armature	(1)
5	*	283222	Solenoid No.1 yoke (asm.)	(1)
6	*	283223	Solenoid No.1 bottom (asm.)	(1)
7		283488	Screw	1
8		283491	Screw	1
9		283107	Frame reference plate (sub-asm. B)	1
10		283106	Screw	2
11		283322	Cord holder	2
12		283486	Screw	2
13		283232	Potentiometer (asm.)	1
14		283233	Washer	1
15		283230	Potentiometer crank (asm.)	1
16		283505	Screw	2
17		283231	Potentiometer spring	1
18		283452	Nut	1
19		283111	Frame reference plate retaining shaft	1
20		283514	Screw	1
21		283611	Encoder (asm.)	1
22		283519	Screw	2
23		283227	Arch-shapped E ring	1
24		283226	Encoder pulley (asm.)	1
25		283224	Encoder attaching plate (asm.)	1
26		283502	Screw	2
27		283228	Buttonholing lever (asm.)	1
28		283460	E ring	1
29		283528	Washer	1
30		283229	Buttonholing SW mounting base (asm.)	1
31		283470	Screw	2
32		283592	Presser foot adjusting lever	1
33		386755	Light attaching plate (asm.)	1
34		283319	Light attaching plate	(1)
35		283486	Screw	(1)
36		283317	Light (asm.)	(1)
37		283316	Light socket (asm.)	(1)
38		283318	Light bulb	(1)
39		386331	Light cover	(1)
40		283491	Screw	1
41		283079	Needle bar frame spring	1
42		283491	Screw	1
43		283355	Band	1
44		386793	Face plate (asm.)	1
45		283283	Solenoid No.2 guide	1
46		283299	Needle thread guide plate collar	1
47		283298	Needle thread guide plate (asm.)	1
48		283492	Screw	1
49		283500	Screw	2
50		283263	Thread take-up spring	1
51		283272	Spring holder	1
52		283472	Screw	1
53		283294	Needle thread guide bar	1
54		283487	Screw	1
55		283293	Thread take-up spring thread guide	1
56		283487	Screw	1

6. SOLENOID No.2, THREAD SENSOR GUIDE,
TENSION RELEASING PLATE COMPONENTS



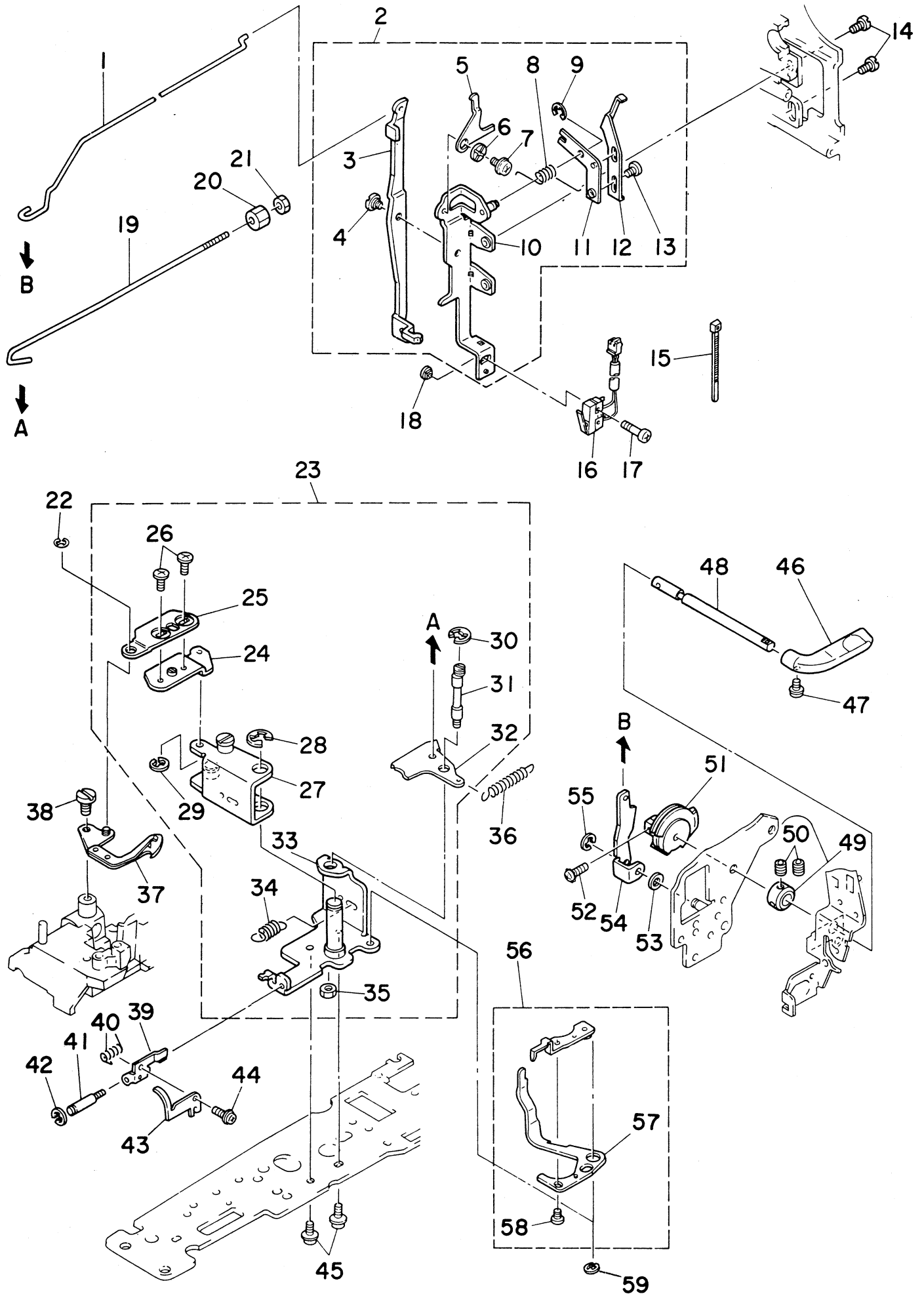
Ref No.	Note	Part No.	Part Description	Qty
1		283289	Solenoid No.2 (asm.)	1
2	*	283288	Yoke case retaining plate	(1)
3	*	283285	Solenoid No.2 yoke case	(1)
4	*	283469	Screw	(1)
5	*	283287	Solenoid No.2 amature (asm.)	(1)
6	*	283291	Solenoid No.2 yoke (asm.)	(1)
7	*	283290	Solenoid No.2 yoke (sub-asm.)	(1)
8	*	283286	Solenoid No.2 coil bobbin (asm.)	(1)
9	*	283460	E ring	(1)
10	*	283490	Screw	(2)
11	*	283284	Solenoid No.2 attaching plate	1
12	*	283501	Screw	1
13		283322	Cord holder	1
14		283491	Screw	2
15		283267	Thread sensor guide (asm.)	1
16	*	283266	Thread sensor guide attaching plate (asm.)	(1)
17	*	283268	Thread sensor guide disk	(1)
18	*	283527	Washer	(1)
19	*	283269	Thread sensor guide spring	(1)
20	*	283270	Thread sensor guide thread presser	(1)
21	*	283459	E ring	(1)
22		283491	Screw	2
23		283275	Tension disk releasing link	1
24		386268	Link collar	1
25		283470	Screw	1
26		283274	Tension release attaching plate (master asm.)	1
27		283355	Band	(1)
28		283273	Tension releasing attaching plate (asm.)	(1)
29		283217	1-stitch SW.locknut	(1)
30		283527	Washer	(2)
31		283281	Tension releasing plate (B) (asm.)	(1)
32		283459	E ring	(2)
33		283282	Thread trimmer 1-stitch SW. (asm.)	(1)
34		283485	Screw	(1)
35		283277	Tension releasing plate (A) (asm.)	(1)
36		283458	E ring	(2)
37		386305	Spring	(1)
38		283280	Tension releasing bar	(1)
39		283276	Tension releasing plate (A)	(1)
40		283278	Tension releasing plate (A) spring	(1)
41		283491	Screw	2

7. NEEDLE BAR, PRESSER BAR COMPONENTS



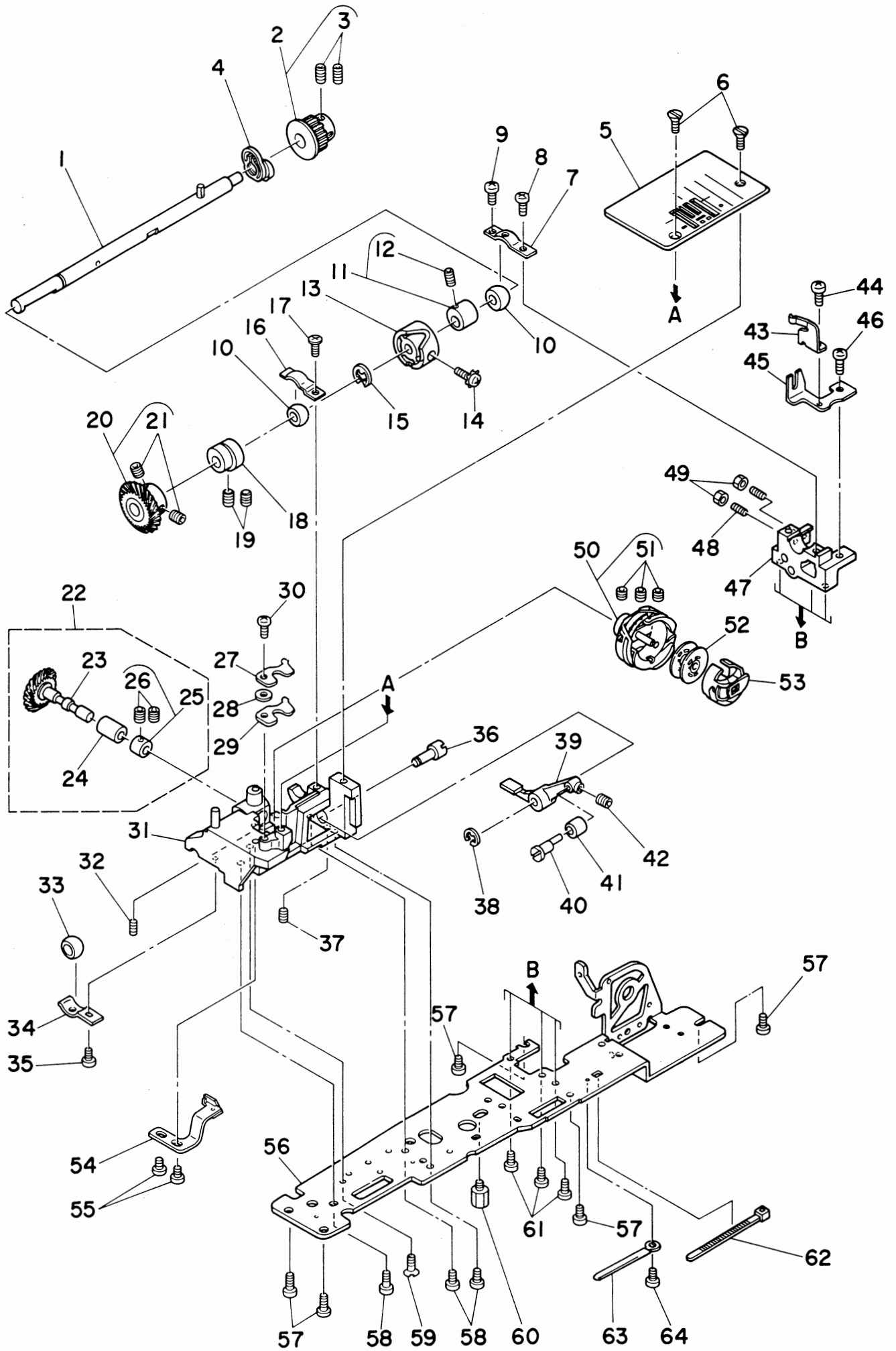
Ref No.	Note	Part No.	Part Description	Qty
1		283476	Screw	1
2		283070	Supporting shaft retaining plate	1
3		283517	Screw	1
4		283089	Spring hook (A)	1
5		283491	Screw	1
6		386780	Needle bar positioning spring (asm.)	1
7		283526	Washer	1
8		283087	Needle bar retaining spring	1
9		283503	Screw	1
10		386781	Presser bar holder (upper)	1
11		283216	Spring washer	1
12		283078	Washer	1
13		283218	Presser spring holder	1
14		283094	Presser spring	1
15		283096	Presser bar position bracket	1
16		283106	Screw A	1
17		283097	Presser bar position bracket setscrew holder	1
18		386782	Presser bar holder (lower)	1
19		283482	Screw	2
20		283090	Needle bar removing stopper	1
21		283491	Screw	2
22		283256	Needle bar thread guide	1
23		283491	Screw	1
24		386783	Presser bar	1
25		283102	Presser holder (asm.)	1
26		283105	Presser clamping screw	1
27		283104	Hinging presser for zigzag	1
28		283083	Needle bar fixing base (asm.)	1
29		283088	Spring hook (B)	(1)
30		283478	Screw	(1)
31		283081	Needle bar fixing base	(1)
32		283512	Screw	(1)
33		283082	Stopper	(1)
34		283085	Needle bar removing latch (asm.)	(1)
35		283086	Latch spring	(1)
36		283084	Needle bar removing latch setscrew	(1)
37		283063	Threader needle bar guide (asm.)	1
38		283506	Screw	(1)
39		386784	Needle bar connection (asm.)	1
40		386785	Needle bar frame (sub-asm. B)	1
41		283068	Needle bar frame base thrust plate	(1)
42		283488	Screw	(1)
43	*	283064	Needle bar frame	(1)
44	*	283074	Spring	(1)
45	*	283071	Needle threader	(1)
46	*	283456	Pin	(1)
47	*	283072	Needle threader shaft	(1)
48	*	283454	Pin (small)	(1)
49		283058	Needle bar (asm.)	(1)
50		283128	Ball bearing	(1)
51		283067	Needle bar frame shaft	(1)
52		283460	E ring	(1)
53		283092	Needle bar guide plate	1
54		283476	Screw	1
55		283488	Screw	1
56		283077	Eccentric shaft	1
57		283471	Screw	1
58		283073	Needle threader spring	1
59		283066	Needle bar frame base spring	1
60		283076	Frame rock shaft crank	1
61		283465	Hinge screw	1
62		283059	Needle mis-insert preventing plate	1
63		283060	Needle clamp (asm.)	1
64		283405	Needle 2020, 90/14	1
65		283075	Needle threader hook holder (asm.)	1
66		283080	Needle bar frame connecting rod	1

8. THREAD TRIMMER LINK, MOVING KNIFE COMPONENTS



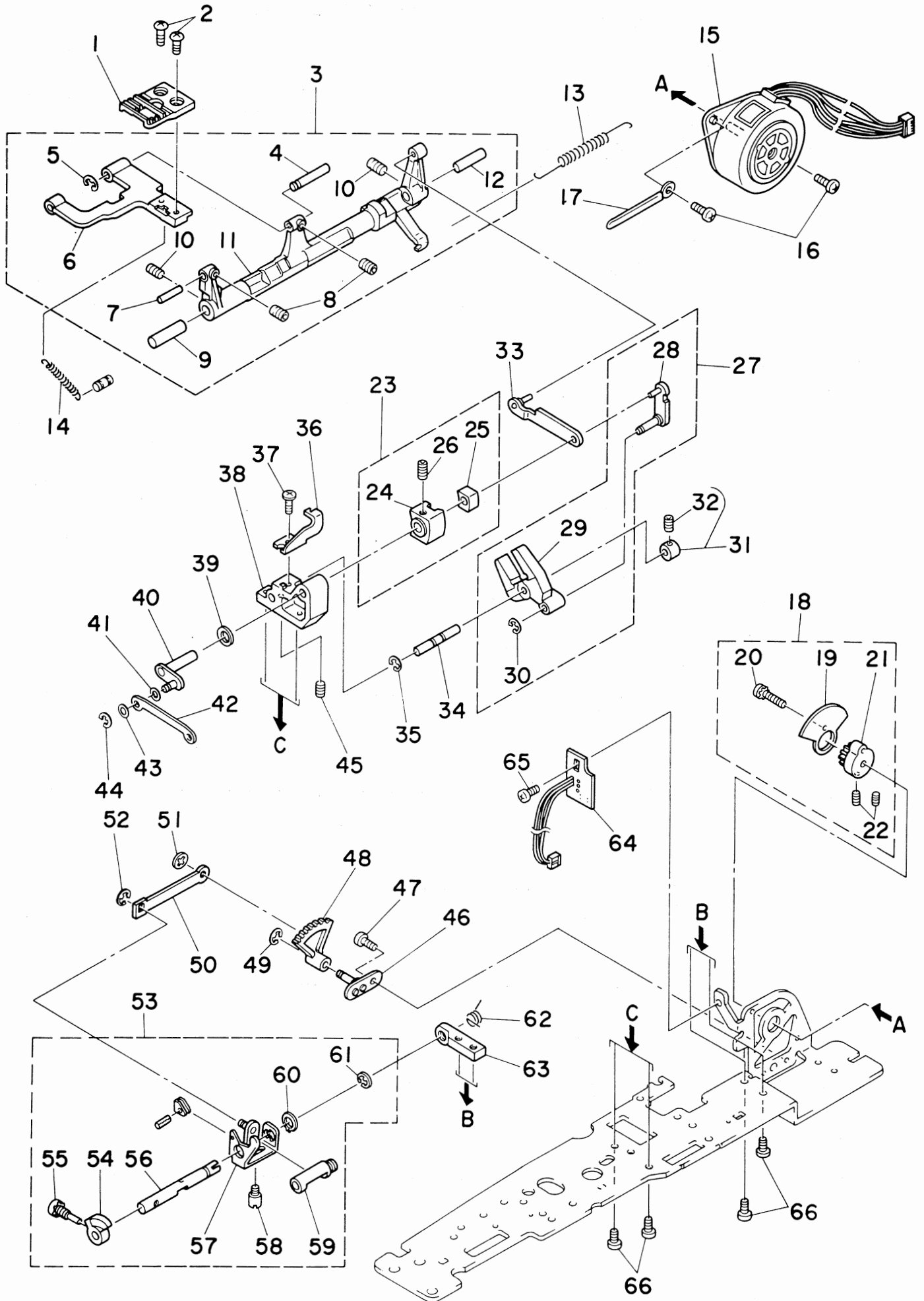
Ref No.	Note	Part No.	Part Description	Qty
1		283244	Knife selector upper link	1
2		283250	Thread trimmer link attaching plate (master asm.)	1
3	*	283251	Thread trimmer link	(1)
4		283252	Thread trimmer link shaft (hinge screw)	(1)
5	*	283247	Link	(1)
6	*	386268	Link collar	(1)
7		283471	Screw	(1)
8		283245	Spring	(1)
9		283460	E ring	(1)
10	*	283249	Thread trimmer link attaching plate (asm.)	(1)
11	*	283248	Thread trimming clutch plate	(1)
12		283255	Thread trimmer clutch plate contact	(1)
13		283501	Screw	(1)
14		283502	Screw	2
15		283355	Band	1
16		283310	Thread trimmer SW (asm.)	1
17		283485	Screw	1
18		283217	1-stitch SW. locknut	1
19		283243	Knife selector lower link	1
20		283254	Knife selector lower link adjusting nut	1
21		283453	Nut	1
22		283460	E ring	1
23		386786	Knife driving link attaching plate (asm.)	1
24		283202	Moving knife link (B) (asm.)	(1)
25		283201	Moving knife link (A)	(1)
26		283486	Screw	(2)
27	*	283237	Knife driving link (asm.) B	(1)
28	*	283462	E ring	(1)
29	*	283459	E ring	(1)
30	*	283461	E ring	(1)
31	*	283240	Knife removing plate eccentric shaft	(1)
32	*	283239	Knife removing plate	(1)
33	*	283235	Knife driving link attaching plate (asm.)	(1)
34	*	283238	Knife driving link spring	(1)
35	*	283450	Nut	(1)
36	*	283241	Spring	1
37		283200	Moving knife (asm.)	1
38		283466	Hinge screw	1
39		283158	Looper actuating plate	1
40		283160	Spring	1
41		283159	Looper actuating plate shaft	1
42		283459	E ring	1
43		283157	Looper	1
44		283468	Screw	1
45		283475	Screw	2
46		386751	Presser foot lifter/thread cutter lever	1
47		283479	Screw	1
48		283100	Lever shaft	1
49		283101	Lever shaft thrust collar (asm.)	1
50		283506	Screw	(2)
51		283095	Presser foot lifter /thread cutter lever cam	1
52		283098	Screw	1
53		283528	Washer	1
54		283253	Thread cutting drive contact	1
55		283460	E ring	1
56		283163	Looper link plate (asm.)	1
57		283162	Looper link plate	(1)
58		283488	Screw	(1)
59		283461	E ring	1

9. HOOK, HOOK DRIVING SHAFT COPONENTS



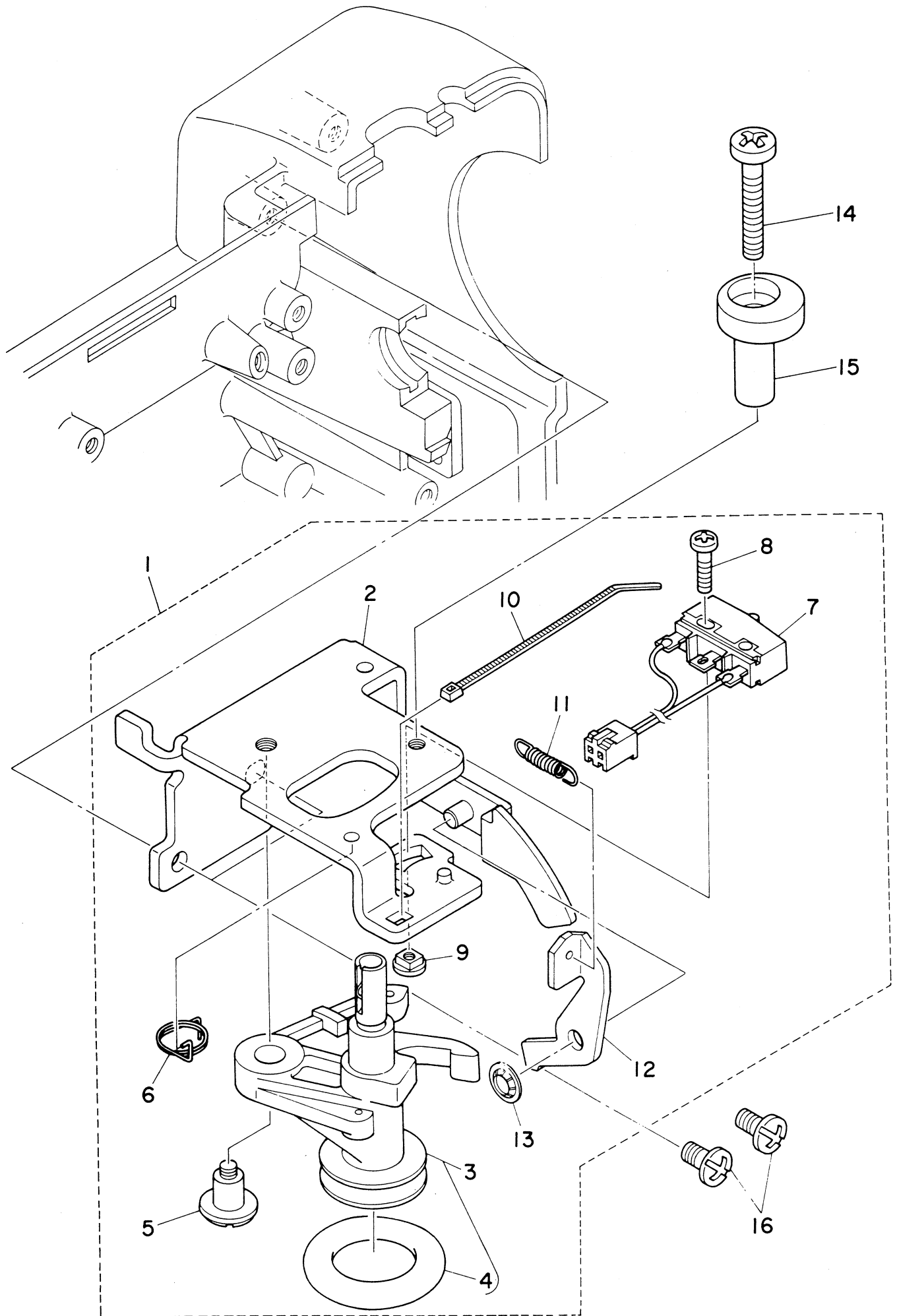
Ref No.	Note	Part No.	Part Description	Qty
1		283602	Hook driving shaft (asm.)	1
2		283185	Hook driving shaft pulley (asm.)	1
3		283511	Screw	(2)
4		283173	Lateral feed cam	1
5		283007	Needle plate	1
6		283477	Screw	2
7		283188	Ball bearing receiving plate (rear)	1
8		283502	Screw	1
9		283480	Screw	1
10		283186	Hook driving shaft ball bearing	2
11		283117	Feed rock cam (asm.)	1
12		283515	Screw	(1)
13		283234	Thread trimmer cam	1
14		283048	Screw	1
15		283463	E ring	1
16		283187	Ball bearing receiving plate (front)	1
17		283502	Screw	1
18		283156	Feed driving cam	1
19		283510	Screw	2
20		283184	Hook driving bevel gear (asm.)	1
21		283510	Screw	(2)
22		283197	Hook shaft bevel gear (asm.)	1
23	*	283196	Hook shaft bevel gear	(1)
24	*	283189	Hook shaft bushing	(1)
25	*	283198	Thrust collar (asm.)	(1)
26		283506	Screw	(2)
27		283204	Moving knife guide plate (upper)	1
28		283205	Moving knife guide plate collar	1
29		283203	Moving knife guide plate (lower)	1
30		283502	Screw	1
31		283199	Hook installing base	1
32		283511	Screw	1
33		283128	Ball bearing	1
34		283129	Ball bearing plate	1
35		283502	Screw	1
36		283192	Feed driving link shaft	1
37		283511	Screw	1
38		283461	E ring	1
39		283190	Feed driving link	1
40		283191	Feed driving eccentric shaft	1
41		283161	Feed driving roller	1
42		283506	Screw	1
43		283126	Presser spring	1
44		283487	Screw	1
45		283121	Guide plate	1
46		283502	Screw	1
47		283041	Hook driving shaft holder (rear)	1
48		283509	Screw	2
49		283449	Nut	2
50		283193	Hook (asm.)	1
51		283518	Screw	(3)
52		283395	Bobbin	1
53		283603	Bobbin case (asm.)	1
54		283194	Bobbin case holder (asm.)	1
55		283502	Screw	2
56		283587	Cylinder bed component cradle	1
57		283502	Screw	5
58		283502	Screw	3
59		283477	Screw	1
60		283036	Hinge screw	1
61		283502	Screw	3
62		283355	Band	1
63		283322	Cord holder	1
64		283487	Screw	1

10. FEED DOG, FEED ROCK SHAFT COMPONENTS



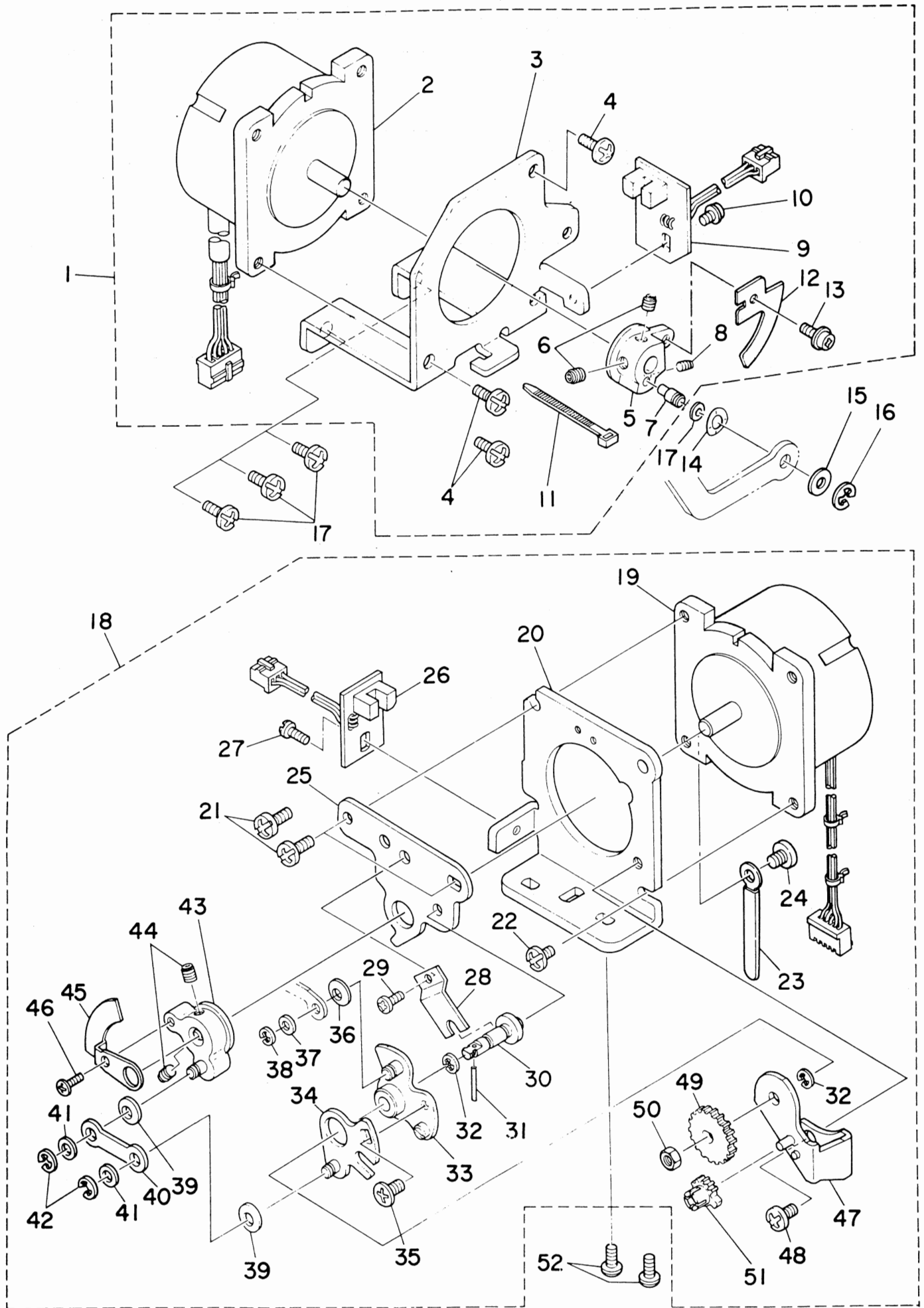
Ref No.	Note	Part No.	Part Description	Qty
1		283137	Feed dog	1
2		283491	Screw	2
3		283115	Feed bar (asm.)	1
4		283116	Feed bar shaft (right)	(1)
5		283459	E ring	(1)
6	*	283114	Feed bar	(1)
7	*	283118	Feed bar shaft (left)	(1)
8	*	283506	Screw	(2)
9	*	283113	Feed rock shaft crank (left)	(1)
10	*	283508	Screw	(2)
11	*	283122	Feed rock shaft	(1)
12	*	283112	Feed rock shaft crank (right)	(1)
13		283130	Spring	1
14		283138	Feed bar spring	1
15		283601	Lateral feed motor (asm.)	1
16		283491	Screw	2
17		283323	Cord holder	1
18		283166	Lateral feed STM crank gear (asm.)	1
19		283167	Shield plate	(1)
20	*	283473	Screw	(1)
21	*	283165	Lateral feed STM crank gear	(1)
22	*	283507	Screw	(2)
23		283132	Feed regulator (asm.)	1
24	*	283131	Feed regulator	(1)
25	*	283133	Crank slide block	(1)
26		283513	Screw	(1)
27		283125	Forked rod (asm.)	1
28	*	283119	Forked rod link (asm.)	(1)
29	*	283124	Forked rod	(1)
30		283459	E ring	(1)
31		283127	Thrust collar (asm.)	1
32		283506	Screw	(1)
33		283120	Feed rock shaft crank link (asm.)	1
34		283123	Forked rod shaft	1
35		283460	E ring	1
36		283242	Spring hook	1
37		283491	Screw	1
38		283134	Feed regulator shaft holder	1
39		283531	Washer	1
40		283135	Feed regulator shaft (asm.)	1
41		283147	Spring washer	1
42		283136	Feed link	1
43		283527	Washer	1
44		283459	E ring	1
45		283511	Screw	1
46		386787	Lateral feed gear link base (asm.)	1
47		283491	Screw	1
48		283168	Lateral feed gear link	1
49		283459	E ring	1
50		283170	Lateral feed connection link	1
51		283304	Push nut	1
52		283459	E ring	1
53		283172	Lateral feed cam contact (master asm.)	1
54		283178	Lateral feed regulation cam	(1)
55		283177	Lateral feed regulation cam setscrew	(1)
56	*	283174	Lateral feed shaft	(1)
57		283171	Lateral feed cam contact (asm.)	(1)
58		283175	Lateral feed shaft guide pin	(1)
59		283179	Lateral feed cam contact bushing	(1)
60		283180	Snap ring	(1)
61		283460	E ring	(1)
62		283176	Lateral feed cam contact twisting spring	1
63		283042	Lateral feed shaft holder	1
64	*	283600	Lateral feed detector circuit board (asm.)	1
65		283491	Screw	1
66		283502	Screw	4

11. BOBBIN WINDER COMPONENTS



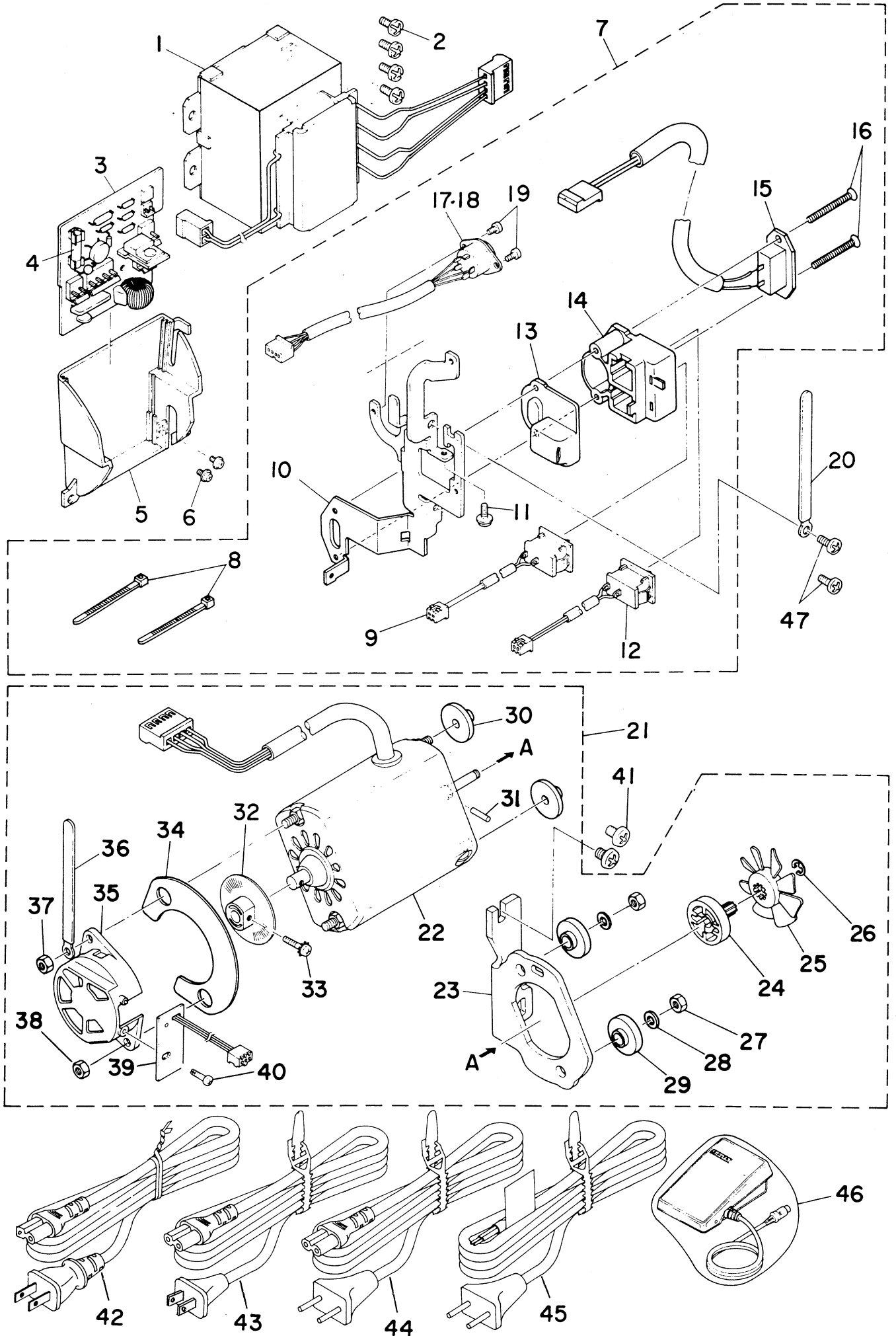
Ref No.	Note	Part No.	Part Description	Qty
1		283301	Bobbin winder component mounting base (asm.)	1
2		283300	Bobbin winder component mounting base (sub-asm.)	(1)
3		283303	Bobbin winder base (asm.)	(1)
4		283308	Rubber ring	(1)
5		283302	Hinge screw	(1)
6		283307	Bobbin winder base spring	(1)
7		283309	Bobbin winder SW (asm.)	(1)
8		283485	Screw	(1)
9		283217	Locknut	(1)
10		283355	Band	(1)
11		283306	Clutch spring	(1)
12		283305	Clutch plate	(1)
13		283304	Locknut	(1)
14		283496	Screw	1
15		283580	Bobbin thread amount adjusting shaft	1
16		283502	Screw	2

12. NEEDLE BAR ROCKING STM. FEED STM COMPONENTS



Ref No.	Note	Part No.	Part Description	Qty
1		283209	Needle bar rocking STM mounting base (asm.)	1
2	*	283609	Needle bar rocking motor (asm.)	(1)
3	*	283208	Needle bar rocking STM mounting base	(1)
4	*	283502	Screw	(3)
5	*	283212	Link	(1)
6	*	283511	Screw	(2)
7	*	385394	Link shaft	(1)
8	*	283505	Screw	(1)
9	*	283610	Needle bar rocking detector circuit board (asm.)	(1)
10	*	283469	Screw	(1)
11		283355	Band	(1)
12		283211	Shielding plate	(1)
13		283471	Screw	(1)
14		283215	Spring washer	1
15		283529	Washer	1
16		283460	E ring	1
17		385399	Washer	1
18		283598	Feed STM (master asm.)	1
19	*	283597	Feed STM (asm.)	(1)
20	*	283142	Feed STM attaching plate	(1)
21	*	283503	Screw	(2)
22	*	283502	Screw	(1)
23	*	283322	Cord holder	(1)
24	*	283497	Screw	(1)
25	*	283596	Fulcrum shaft attaching plate	(1)
26	*	283143	Feed detector circuit board (asm.)	(1)
27	*	283491	Screw	(1)
28	*	283152	Supporting spring plate	(1)
29	*	283491	Screw	(1)
30	*	283593	Feed regulating plate fulcrum shaft	(1)
31		283599	Pin	(1)
32		283459	E ring	(2)
33		283140	Feed regulating plate base (master asm.)	(1)
34	*	283139	Feed regulating plate (asm.)	(1)
35	*	283489	Screw	(1)
36		283147	Spring washer	(1)
37		283527	Washer	(1)
38		283459	E ring	(1)
39	*	283147	Spring washer	(2)
40	*	283141	Feed STM crank link	(1)
41	*	283527	Washer	(2)
42	*	283459	E ring	(2)
43	*	283145	Feed STM crank (asm.)	(1)
44	*	283511	Screw	(2)
45	*	283144	Shielding plate	(1)
46	*	283494	Screw	(1)
47	*	283150	Feed regulating gear attaching plate (asm.)	(1)
48	*	283499	Screw	(1)
49		283594	Feed regulating gear (A)	(1)
50		283691	Nut	(1)
51		283149	Feed regulating gear (B)	(1)
52		283502	Screw	2
53		283502	Screw	3

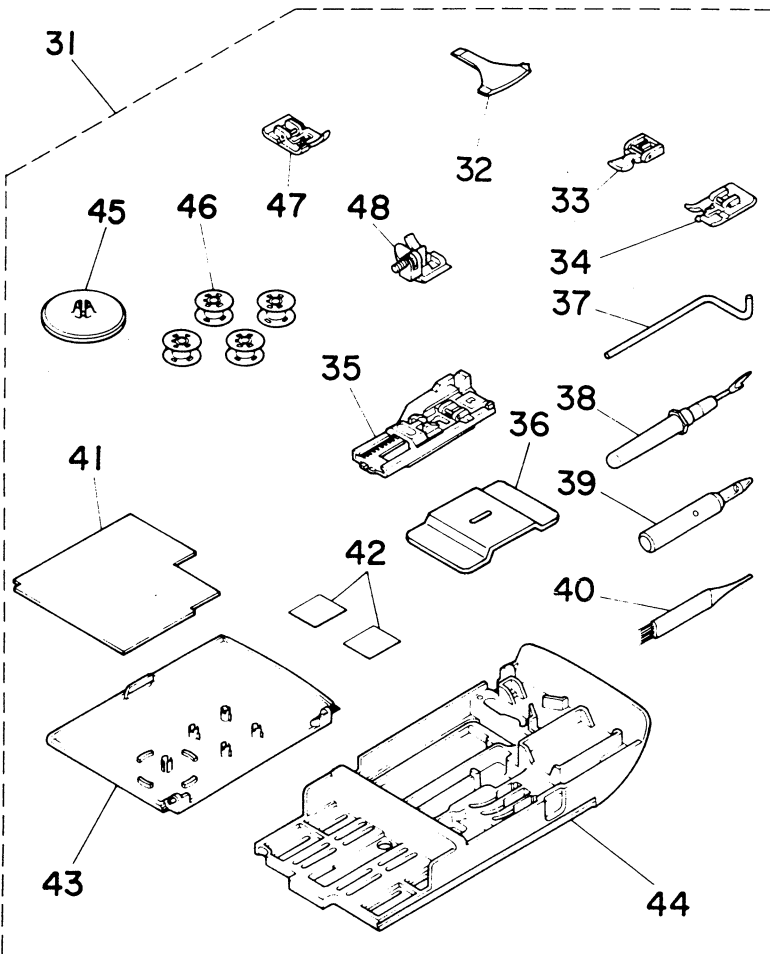
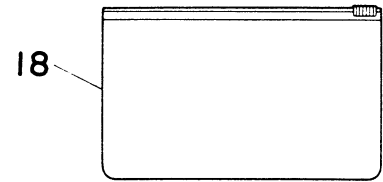
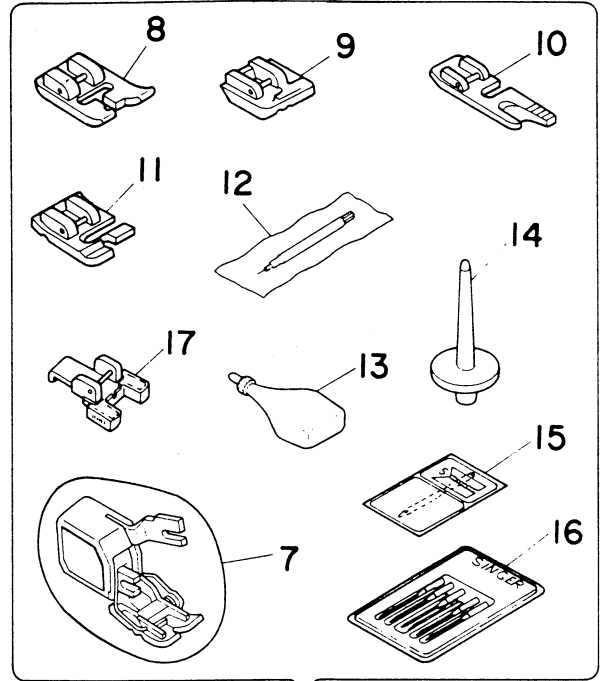
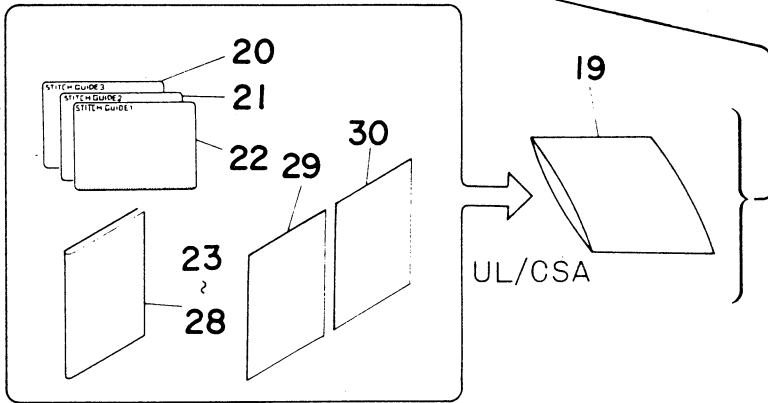
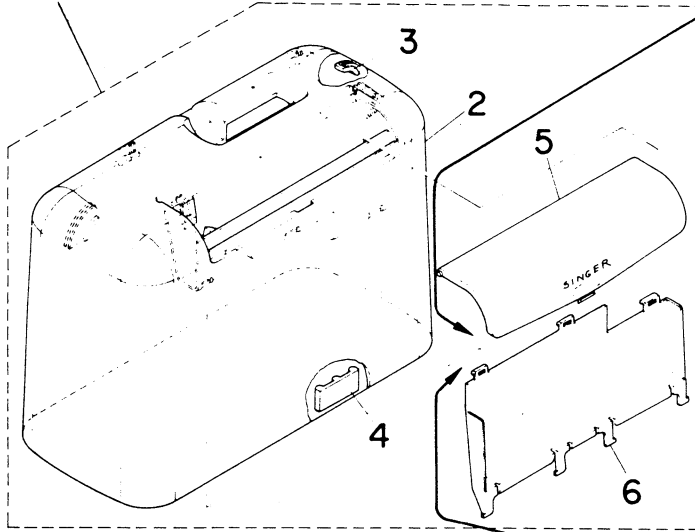
13. POWER CIRCUIT BOARD, MAIN MOTOR COMPONENTS



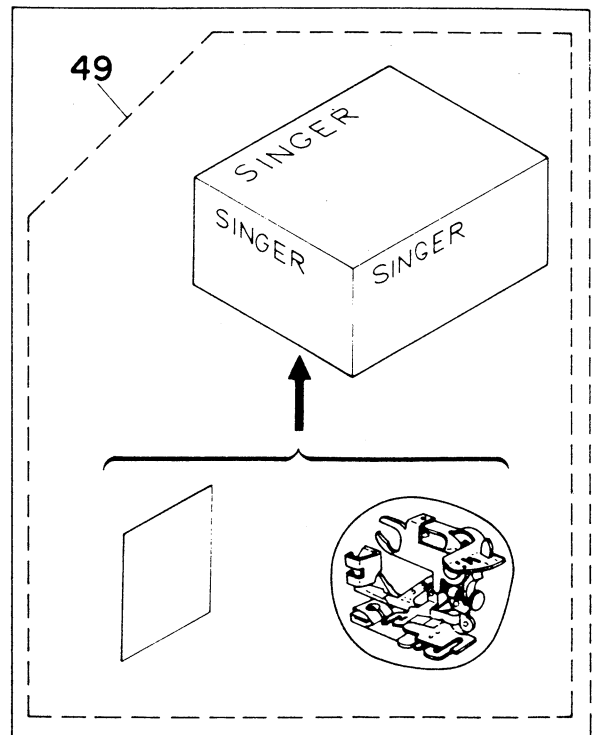
Ref No.	Note	Part No.	Part Description	Qty
1		386722	Power transformer (asm.)	1
2		283502	Screw	4
3		386725	Power c. board (asm.)	1
4		283434	Fuse	(1)
5		283346	Electrical component cover	1
6		283470	Screw	2
7		386719	Power SW mount. base (asm.)	1
8		283355	Band	(2)
9		283349	Light SW (asm.)	(1)
10		283651	Power SW mount.base	(1)
11		283471	Screw	(1)
12		386716	Power SW (asm.)	(1)
13		283654	Power Sw box cover	(1)
14		283653	Power SW box	(1)
15		386718	Power coard inlet (asm.)	(1)
16		283693	Screw	(2)
17		283345	Speed controller receptable (asm.) (USA/TWN)	(1)
18		386788	Speed controller receptable (asm.) (BS/KEMA/SPN/TUR/S-AF/GR/ITA/GER)	(1)
19		283487	Screw	(2)
20		283322	Cord holder	1
21		283662	Motor (asm.) B (USA/TWN)	1
21		386662	Motor (asm.) B (BS/KEMA/SPN/TUR/S-AF/GR/ITA/GER)	1
22	*	283659	Motor (asm.) A (USA/TWN)	(1)
22	*	283660	Motor (asm.) A (BS/KEMA/SPN/TUR/S-AF/GR/ITA/GER)	(1)
23	*	283369	Motor bracket (USA/TWN)	(1)
23	*	283663	Motor bracket (BS/KEMA/SPN/TUR/S-AF/GR/ITA/GER)	(1)
24	*	283365	Motor shaft pulley	(1)
25	*	283366	Motor shaft flange	(1)
26	*	283227	Arch-shapped E ring	(1)
27	*	283448	Nut (USA/TWN)	(2)
27	*	283451	Nut (BS/KEMA/SPN/TUR/S-AF/GR/ITA/GER)	(2)
28	*	283697	Washer (BS/KEMA/SPN/TUR/S-AF/GR/ITA/GER)	(2)
29	*	283666	Motor insulate bushing (BS/KEMA/SPN/TUR/S-AF/GR/ITA/GER)	(2)
30	*	283665	Motor insulate ring (BS/KEMA/SPN/TUR/S-AF/GR/ITA/GER)	(2)
31	*	283457	Pulley pin	(1)
32		283375	Shielding plate	(1)
33		283473	Screw	(1)
34		283667	Circuit board insulate sheet (BS/KEMA/SPN/TUR/S-AF/GR/ITA/GER)	(1)
35		283374	Motor base mounting base	(1)
36		283323	Cord holder	(1)
37		283451	Nut	(1)
38		283451	Nut (USA/TWN)	(1)
38		283690	Nut (BS/KEMA/SPN/TUR/S-AF/GR/ITA/GER)	(1)
39		385398	Motor pulse detector circuit board (asm.)	(1)
40		283522	Screw	(1)
41		283504	Screw	2
42		386717	Electric power coard (asm.) (USA)	1
43		283647	Electric power coard (asm.) (TWN)	1
44		283545	Electric power coard (asm.) (SPN/KEMA/ITA/S-AF/GR/GER/TUR)	1
45		283547	Electric power coard (asm.) (BS)	1
46		283370	Speed controller (asm.)	1
47		283502	Screw	2

14. ACCESSORIES PARTS COMPONENTS

OPTIONAL PART



15. OPTIONAL PART



Ref No.	Note	Part No.	Part Description	Qty
1		283669	Case (asm.) (Optional parts)	1
2	*	283668	Case (Optional parts)	(1)
3		283670	Pad (Optional parts)	(6)
4		283673	Cushion (Optional parts)	(1)
5		283672	Lid (Optional parts)	(1)
6		283671	Instruction manual holder (Optional parts)	(1)
7		283409	Even feed foot (asm.)	1
8		283426	Manual buttonholing presser foot (asm.)	1
9		283400	Concealed zipper presser foot (asm.)	1
10		283393	Rolled hemming presser foot (asm.)	1
11		386013	Cording presser foot (asm.)	1
12		283425	Assistant marker	1
13		283391	Oiler	1
14		283679	Spool pin	1
15		283680	Wing needle (set)	1
16		283678	Needle (set)	1
17		283677	Button foot	1
18		283676	Accessery bag	1
19		386472	Vinyl bag	1
20		283683	Stitch guide (3)	1
21		283682	Stitch guide (2)	1
22		283681	Stitch guide (1)	1
23		386742	Instruction manual (USA/TWN)	1
24		386746	Instruction manual (S-AF/TUR/GRE/BS)	1
25		386744	Instruction manual (ITA)	1
26		386743	Instruction manual (VDE)	1
27		386745	Instruction manual (KEMA)	1
28		386747	Instruction manual (SPA)	1
29		386789	Warranty card	1
30		386790	Registration card	1
31		283675	Accessory box (asm.)	1
32		283394	Screw driver	(1)
33		283399	Zipper sewing presser foot (asm.)	(1)
34		283404	Overedging presser foot (asm.)	(1)
35		283396	Buttonholing presser foot (asm.)	(1)
36		386792	Embroidery needle plate (asm.)	(1)
37		283401	Ruler	(1)
38		385098	Seam ripper	(1)
39		283392	Eyelet punch	(1)
40		283403	Brush	(1)
41		283441	Accessory box sheet	(1)
42		283447	Accessory box tape	(2)
43		283389	Lid	(1)
44		283674	Accessory box	(1)
45		386791	Thread spool cap	(1)
46		283395	Bobbin	(4)
47		283684	Teflon presser foot (asm.)	(1)
48		283402	Blind stitch presser foot (asm.)	(1)
49		283571	Ruffler presser foot package (asm.) (Optional parts)	1

