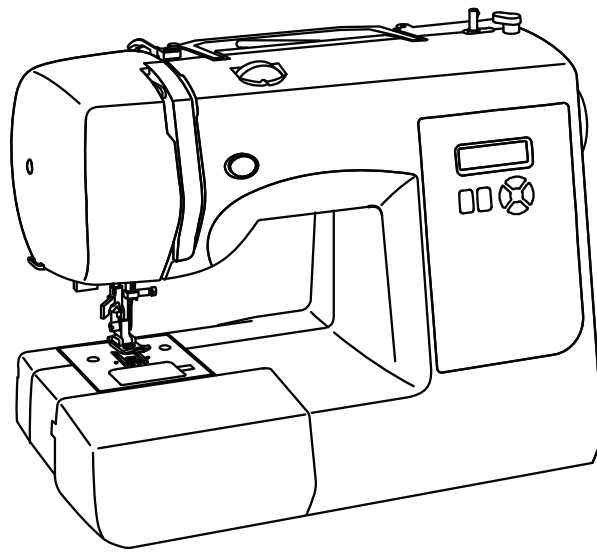


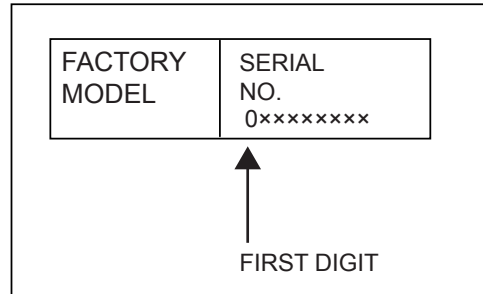


SINGER | Stylist™
| Patchwork™

7258
7285Q



Liste de pièces
Lista de Piezas
Parts List

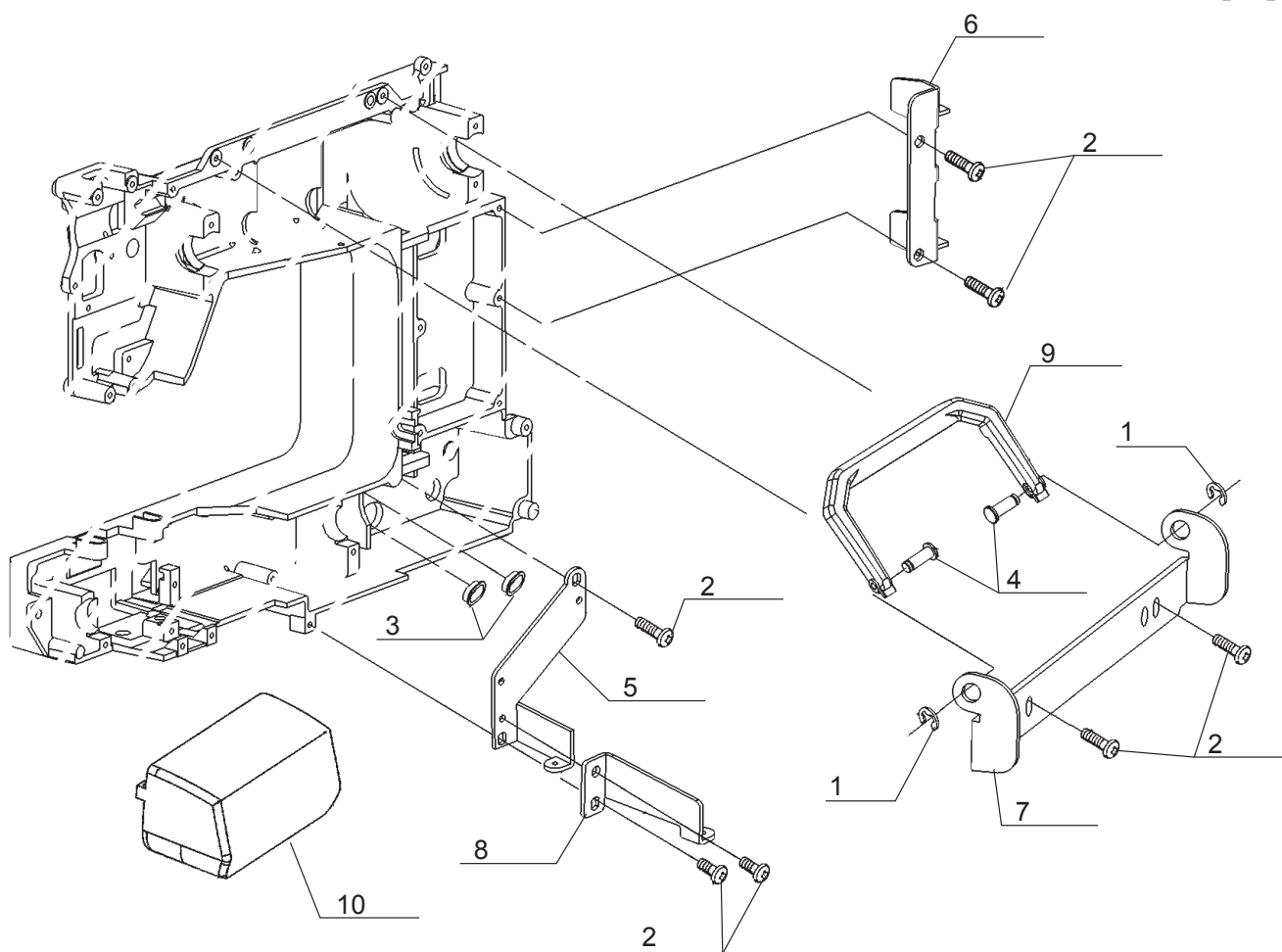


IMPORTANT:
WHEN ORDERING THE PARTS ALWAYS CHECK THE SERIAL NUMBER OF THE MACHINE.

FIRST DIGIT OF THE SERIAL NUMBER MUST MATCH WITH THE LAST DIGIT OF THE FACTOR MODEL BELOW.

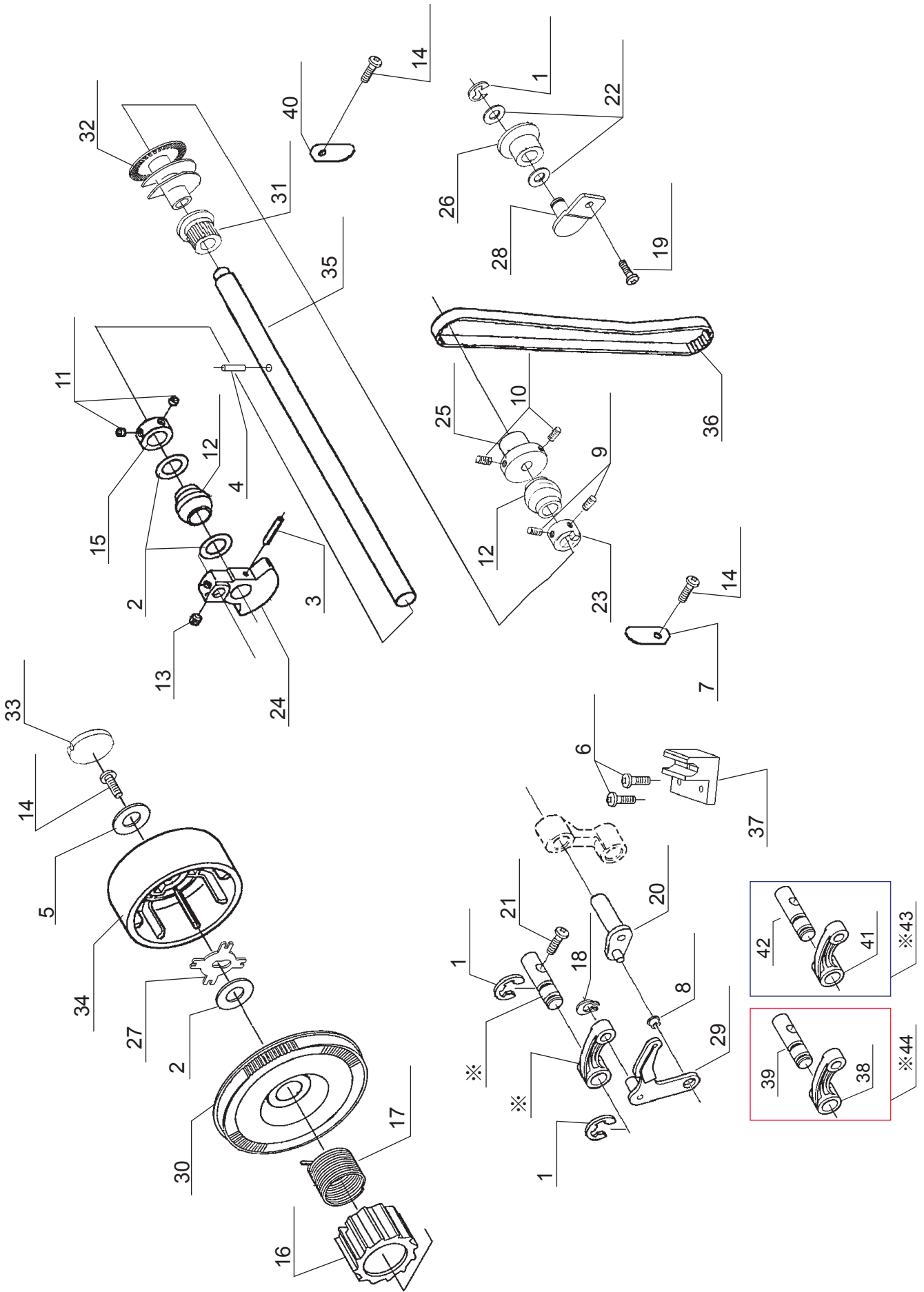
FACTORY MODEL CA35960

A



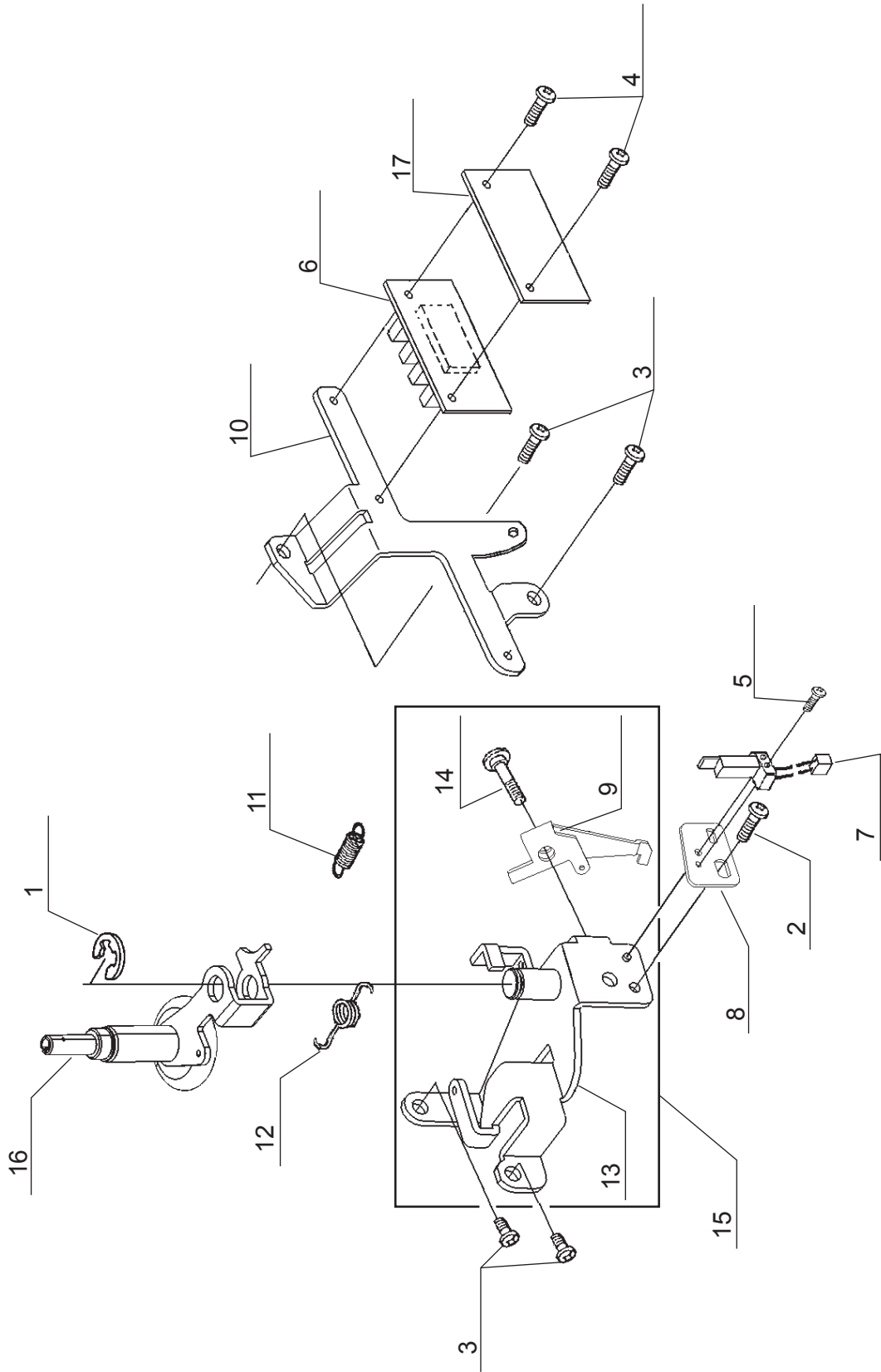
POS	PART NO.	DESCRIPTION
1	270 001513	E4 CLIP-ON-WASHER
2	270 077042	M4 PHILIPS SCREW
3	270 080070	CORD GUIDE
4	270 087216	PIN
9	270 087907	HANDLE
10	270 087908	ACC. BOX

B

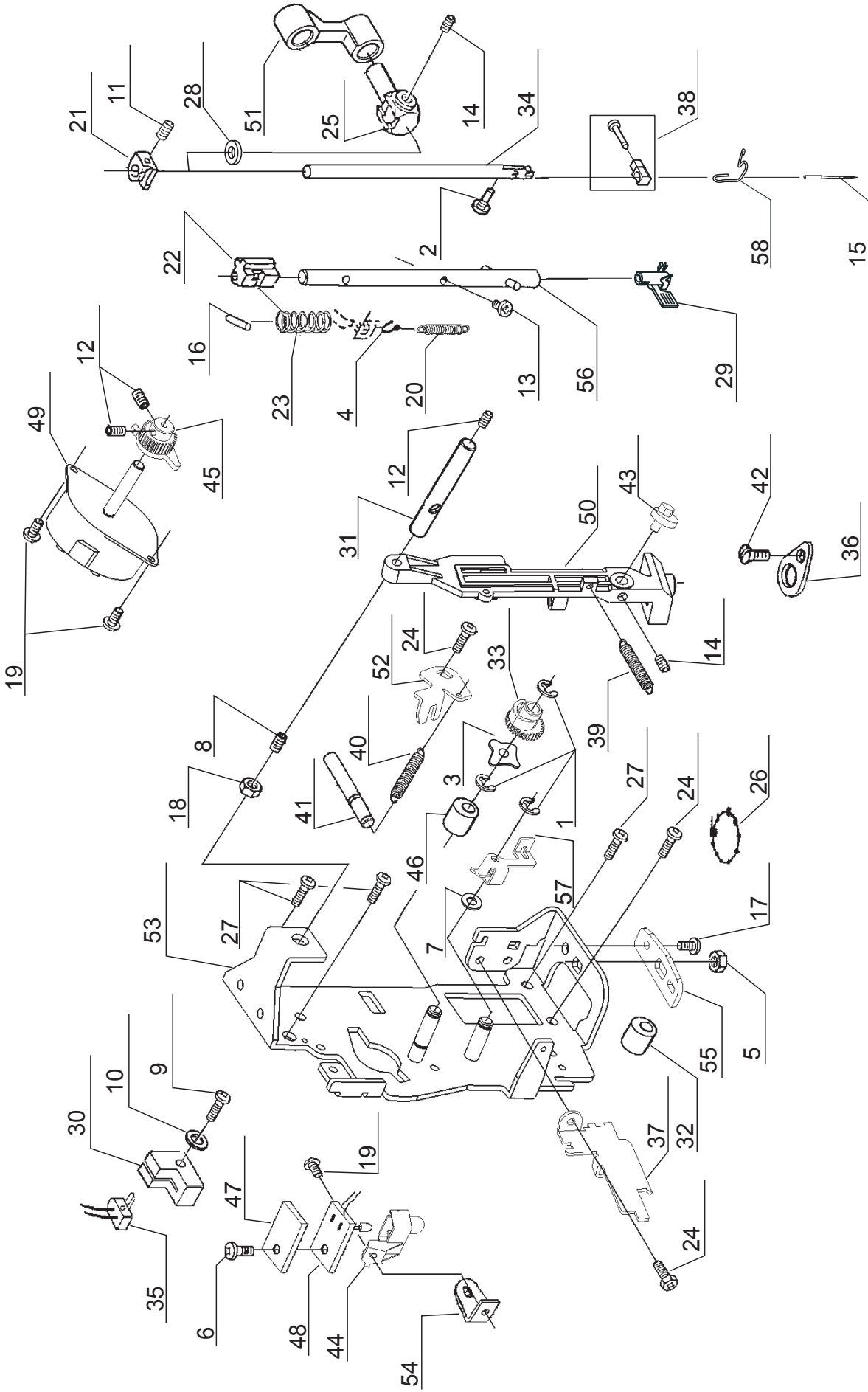


POS	PART NO.	DESCRIPTION
1	270 010963	E6 CLIP-ON-WASHER
2	270 043389	THRUST WASHER
3	270 043930	SPRING PIN
4	270 044066	SPRING PIN
5	270 053403	WASHER
6	270 061224	M4 PHILIPS SCREW
7	270 066235	SECURING PLATE
8	270 066437	BUSH
9	270 066725	M4 SCREW
10	270 066727	M4 SCREW
11	270 067447	M5 SCREW
12	270 068152	BALL BUSH
13	270 073371	M6 SCREW
14	270 073434	M4 PHILIPS SCREW
15	270 073472	COLLAR
16	270 075047	CLUTCH
17	270 075194	TORSION SPRING
18	270 075207	CS-CLIP
19	270 075274	M4 PHILIPS SCREW
20	270 076366	CRANK SHAFT
21	270 077035	M4 PHILIPS SCREW
23	270 085013	POSITIONING COLLAR
24	270 085017	BALANCER
25	270 085046	COLLAR
26	270 085138	TENSION ROLLER
27	270 085217	RETAINER
28	270 087125	IDLER PULLEY BRACKET
29	270 087134	TAKE-UP LEVER
30	416664801	BELT PULLEY
31	270 087221	UPPER TIMING BELT GEAR
32	270 087241	ENCODER
33	270 087288	PULLEY CAP
34	270 087299	PULLEY
35	416674701	MAIN SHAFT
36	270 087737	TIMING BELT
39	416513401	SHAFT
42	270 076688	SHAFT
43	416770301	TAKE-UP/SHAFT SET
44	416556701	TAKE-UP/SHAFT SET

C

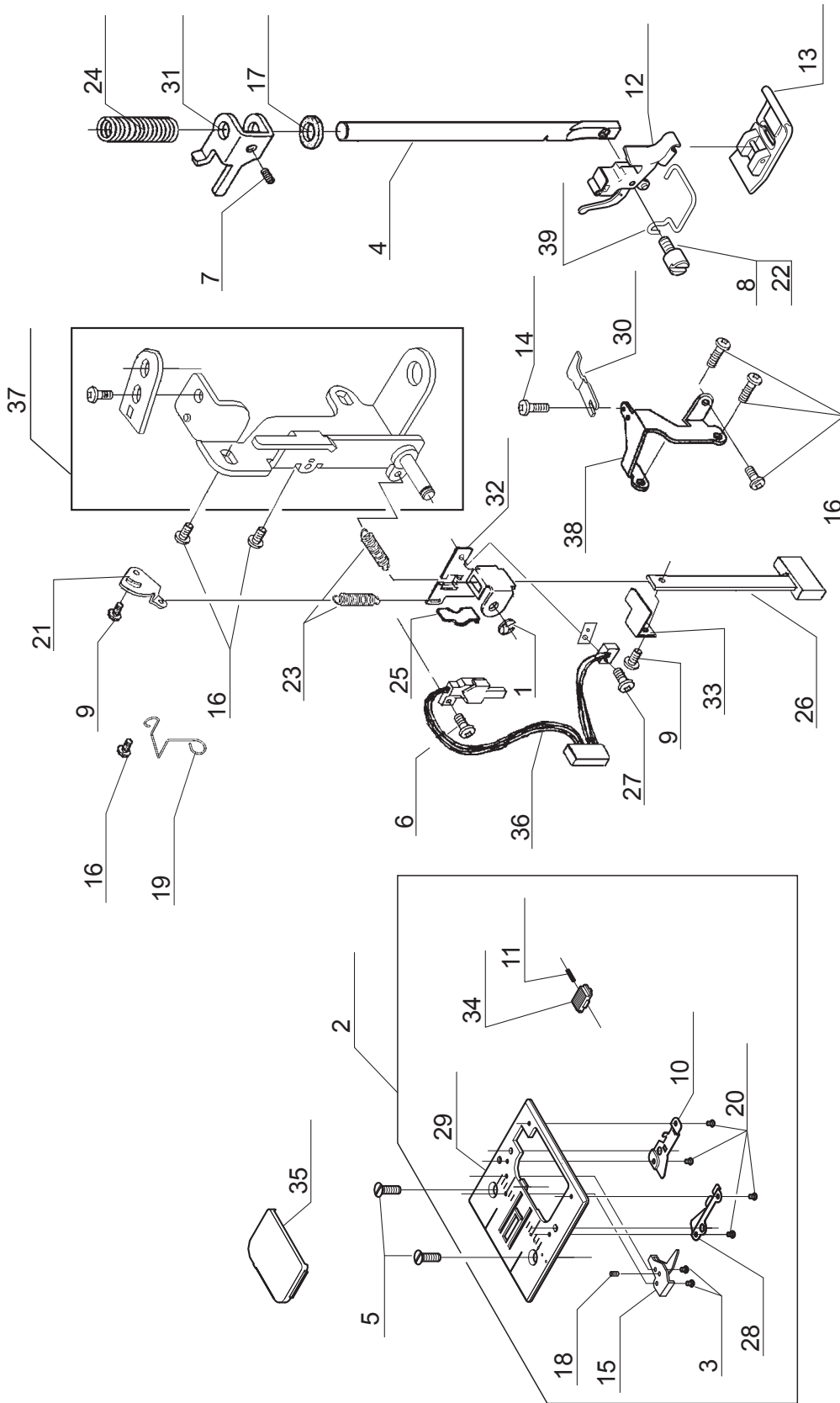


POS	PART NO.	DESCRIPTION
1	270 010963	E6 CLIP-ON-WASHER
2	270 073900	M3 PHILIPS SCREW
3	270 077042	M4 PHILIPS SCREW
4	270 077053	M3 PHILIPS SCREW
5	270 085274	M2 SCREW
6	270 087082	PHOTO SENSOR CIRCUIT BOARD
7	416827901	SWITCH HARNESS
8	416665301	MOUNTING BRACKET
11	270 087180	EXTENSION SPRING
12	270 087182	TORSION SPRING
14	416503301	M3 SHOULDER SCREW
15	416665601	BOBBIN WINDER BRACKET UNIT
16	270 087815	BOBBIN WINDER UNIT



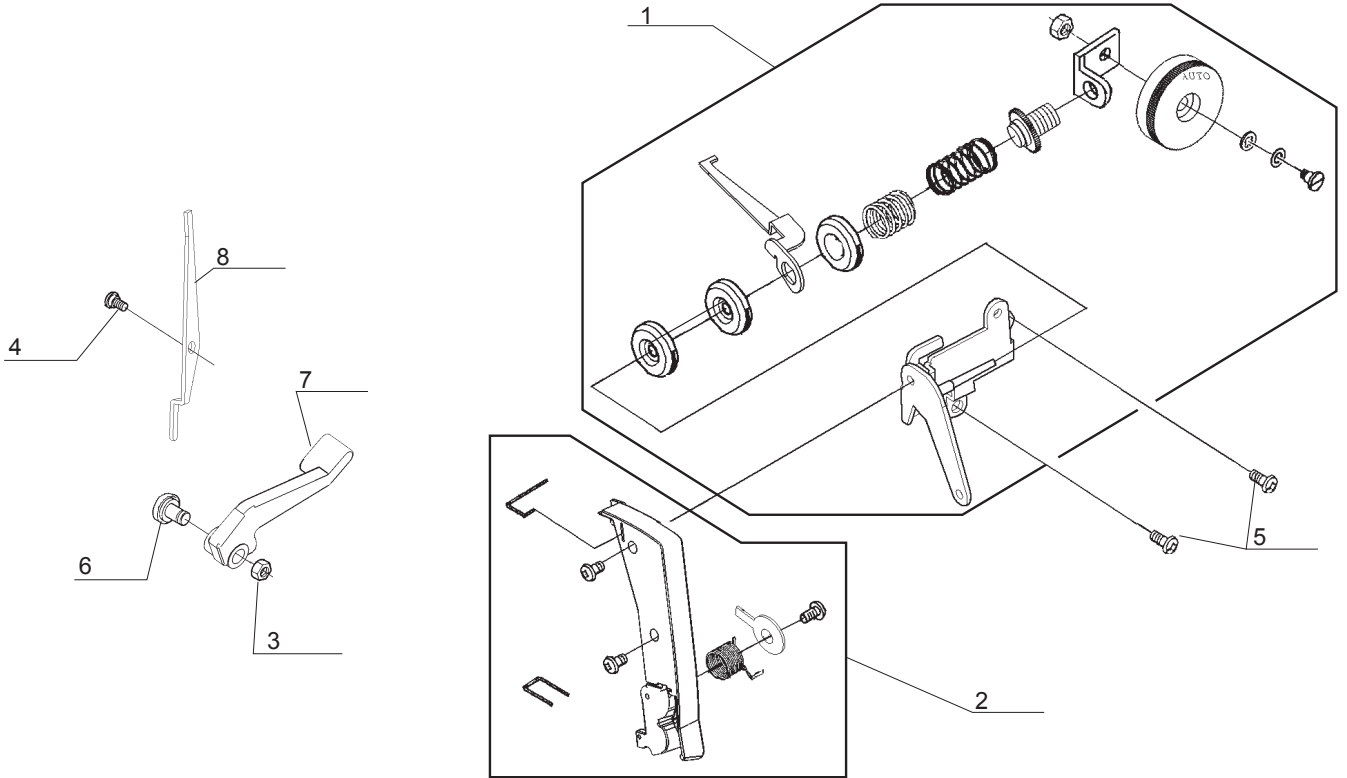
D

POS	PART NO.	DESCRIPTION
1	270 001513	E4 CLIP-ON-WASHER
2	270 026934	#8 SCREW
3	270 028735	WASHER
4	270 028917	HOOK FOR SPRING
5	270 031733	M3 NUT
6	270 039213	M3 SCREW
9	270 063796	M3 SCREW
10	270 063805	WASHER
11	270 064359	M4 SCREW
12	270 064653	M3 SCREW
13	270 066005	M2 PHILLIPS SCREW
14	270 066725	M4 SCREW
16	270 068343	PIN
17	270 072367	M4 CP SCREW
18	270 073299	M4 TORQUE NUT
19	270 073900	M3 PHILLIPS SCREW
20	270 074050	EXTENSION SPRING
21	270 075024	STOPPER
22	270 075025	GUIDE BLOCK
23	270 075027	COMPRESSION SPRING
24	270 076317	M3 PHILIPS SCREW
25	270 077037	NEEDLE BAR CLAMP
26	270 077041	UNITY FASTENER
27	270 077042	M4 PHILIPS SCREW
23	270 077421	THREADER ASSEMBLY
30	270 077527	SENSOR COVER
34	270 085041	NEEDLE BAR
35	416562401	SWITCH HARNESS FOR ZIGZAG
36	270 087111	NEEDLE BAR SWING BRACKET
38	270 087154	NEEDLE CLAMP SET
40	270 087188	SPRING
41	270 087207	STRAIGHT PIN
42	270 087211	M3 SCREW
43	270 087225	ECCENTRIC CAM
44	270 087236	LED LIGHT COVER
45	270 087246	PINION GEAR
47	270 087267	INSULATION SHEET
48	270 087502	LED LIGHT CIRCUIT BOARD
49	270 087600	STEPPING MOTOR
54	270 087724	L-R LIMITER
58	270 088089	THREAD GUIDE
59	270 080110	M3 PHILIPS SCREW

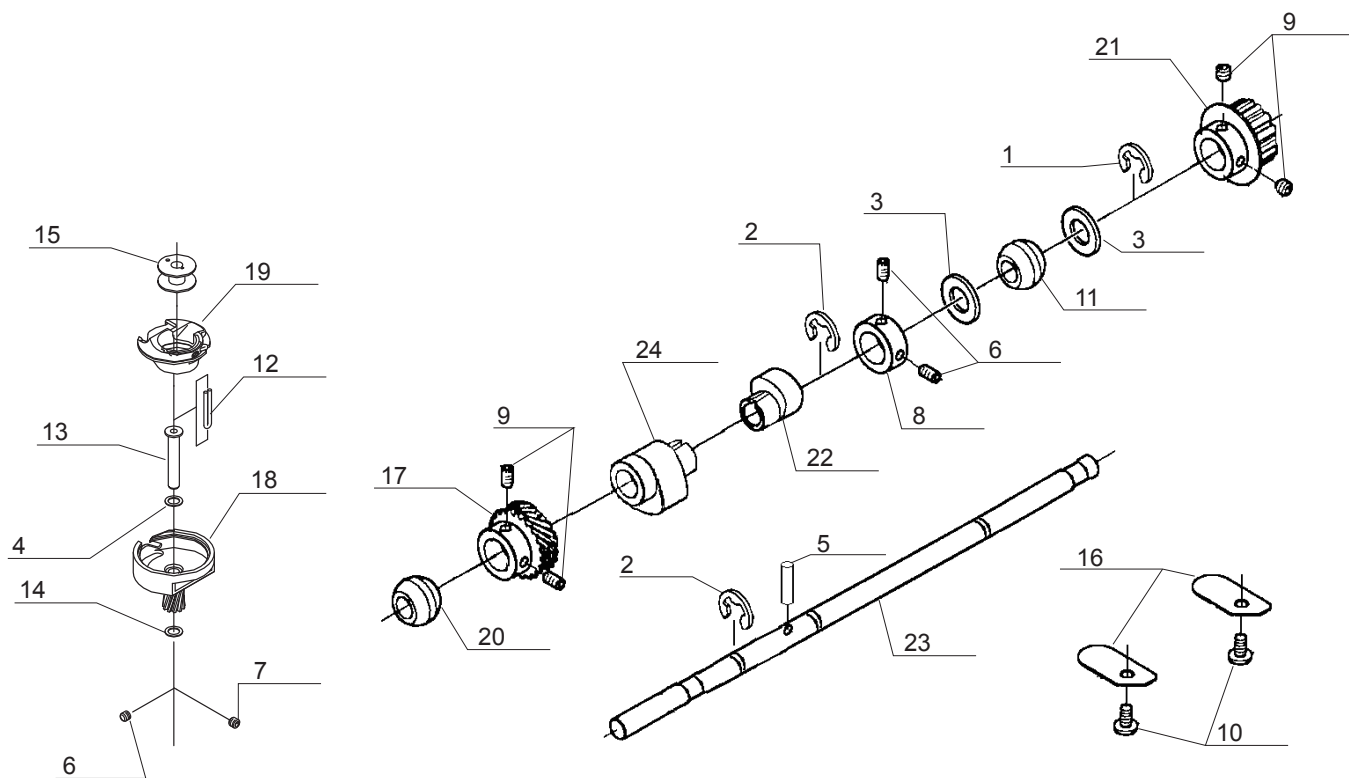


POS	PART NO.	DESCRIPTION
1	270 001520	E3 CLIP-ON-WASHER
2	270 051046	NEEDLE PLATE SET
3	270 056858	M2 PHILIPS SCREW
4	270 063278	PRESSER BAR
5	270 064051	M4 SCREW
6	270 066005	M2 PHILIPS SCREW
7	270 066727	M4 SCREW
8	270 068299	#7 SCREW FOR SHANK
9	270 073900	M3 PHILIPS SCREW
10	270 076114	COVER GUIDE (R)
11	270 076159	COMPRESSION LEVER
13	270 076251	ZIGZAG PRESSER FOOT
14	270 076317	M3 PHILIPS SCREW
15	270 076547	THREAD CONTROL PLATE
16	270 077042	M4 PHILIPS SCREW
18	270 079491	SCREW
19	270 080079	CORD GUIDE
20	270 080096	M2 PHILIPS SCREW
22	416514401	SCREW FOR SHANK (ITALY ONLY)
23	270 085064	EXTENSION SPRING
24	270 085065	COMPRESSION SPRING
26	270 085198	BH PLATE (A)
28	270 086256	COVER GUIDE (L)
29	270 087106	NEEDLE PLATE
30	270 087107	BOBBIN CASE STOPPER
32	270 087117	BH PLATE (B)
33	270 087118	BH PLATE (C)
34	270 087234	RELEASE LEVER
35	270 087456	NEEDLE COVER PLATE
36	416828001	BH SWITCH HARNESS

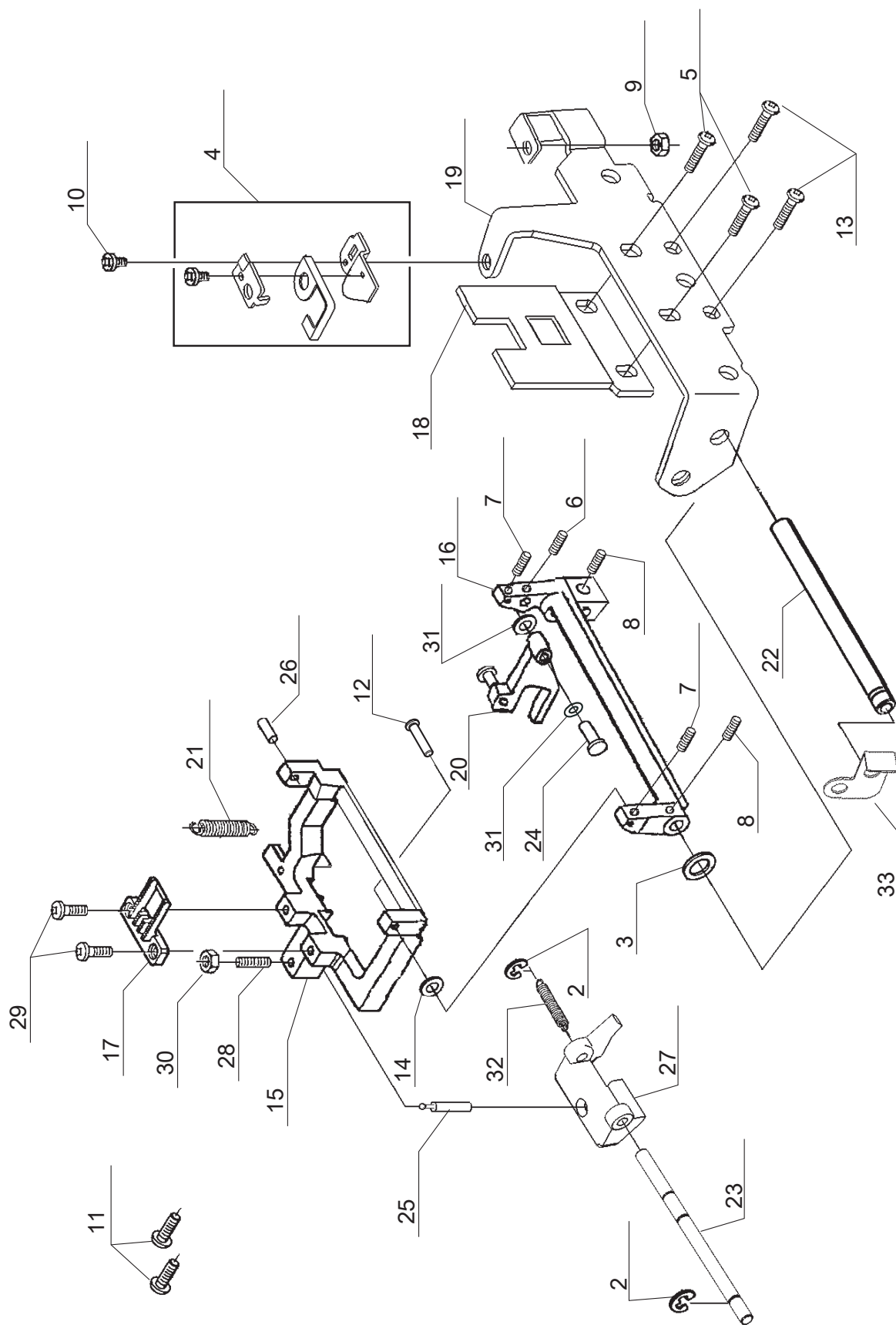
F



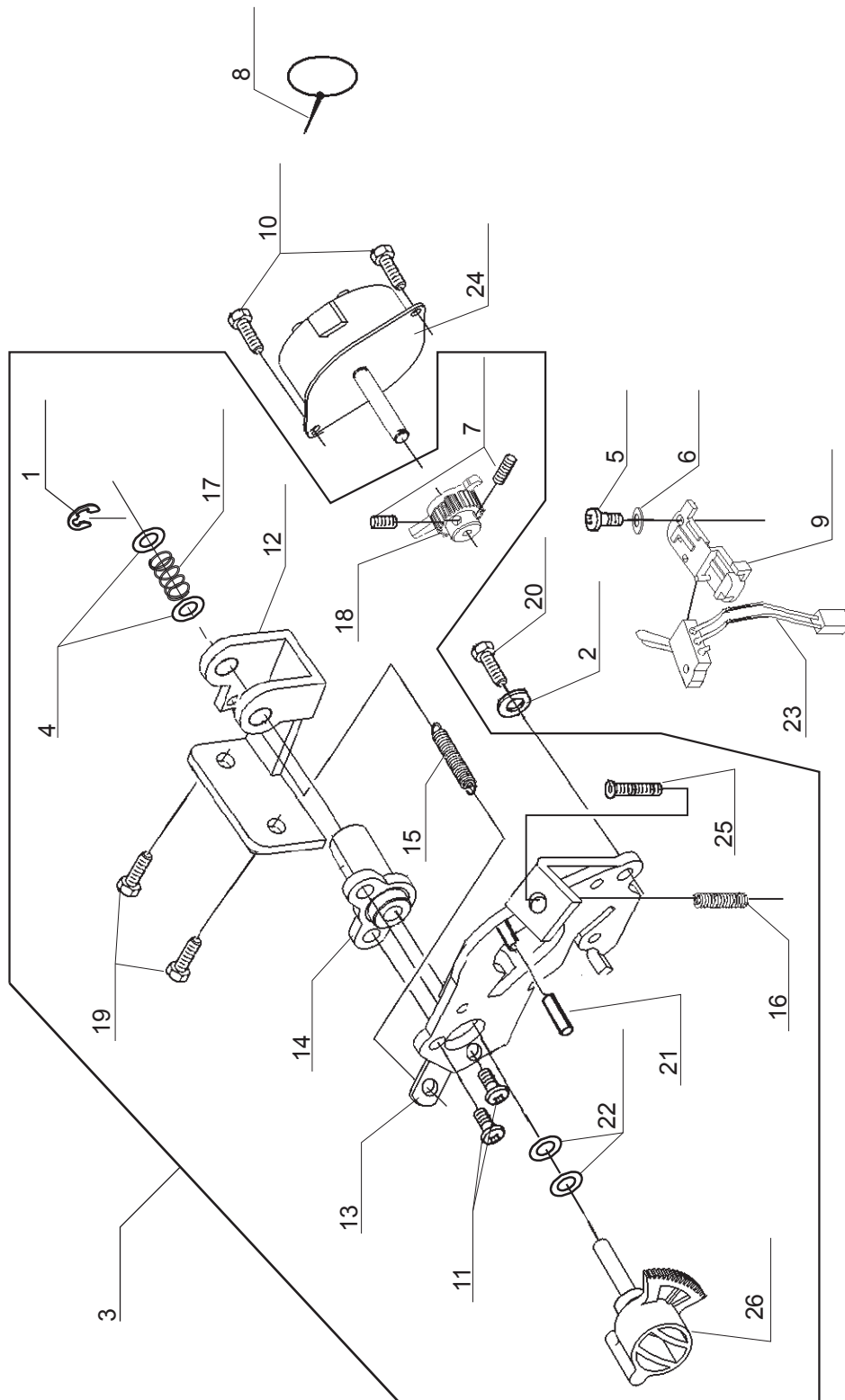
POS	PART NO.	DESCRIPTION
1	416560701	TENSION ASSY
3	270 062215	M4 NUT
5	270 077042	M4 PHILLIPS SCREW
6	270 087212	M4 SCREW
7	270 087806	PRESSURE BAR LIFTER



POS	PART NO.	DESCRIPTION
2	270 010963	E6 CLIP-ON-WASHER
3	270 043390	THRUST WASHER
4	270 043392	THRUST WASHER
5	270 064179	SPRING PIN
6	270 066725	M4 SCREW
7	270 066727	M4 SCREW
9	270 067447	M5 SCREW
10	270 073434	M4 PHILIPS SCREW
11	270 076141	BALL METAL
12	270 076203	OILING CORD
13	270 080078	SHUTTLE RACE SHAFT
14	416514601	WASHER
15	270 085128	BOBBIN
16	270 085247	SECURING PLATE
17	416434001	BEVEL GEAR
18	270 087051	SHUTTLE RACE
19	270 087061	BOBBIN CASE
20	270 087170	BALL METAL
21	270 087171	TIMING BELT GEAR (LOWER)
22	270 087228	FEED CAM
24	270 088115	LIFTING CAM



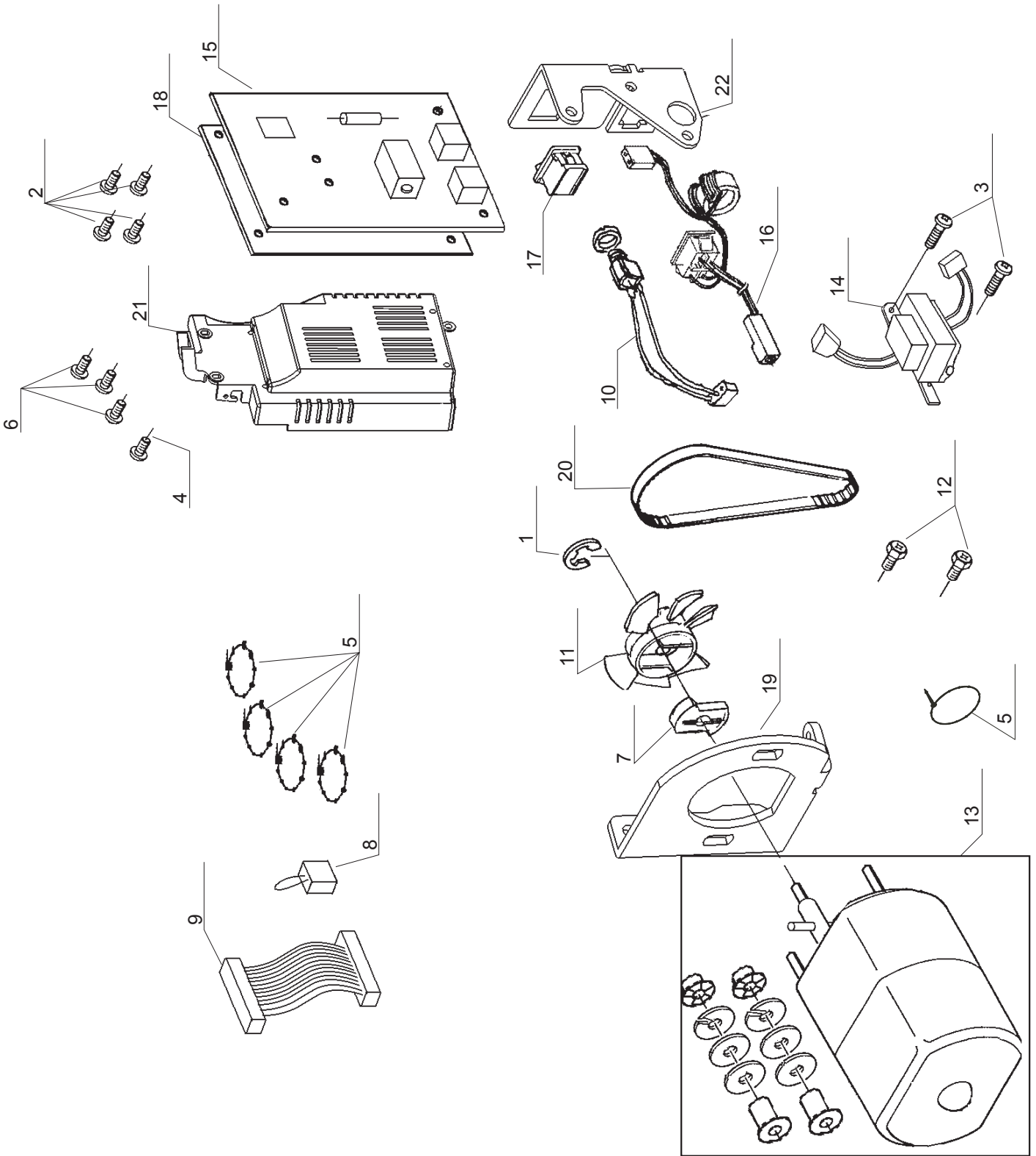
POS	PART NO.	DESCRIPTION
2	270 001520	E3 CLIP-ON-WASHER
3	270 032949	WASHER
4	270 051058	RETAINER SET
5	270 061221	M4 PHILIPS SCREW
7	270 064653	M3 SCREW
8	270 066725	M4 SCREW
9	270 073299	M4 TORQUE NUT
10	270 073900	M3 PHILIPS SCREW
11	270 075274	M4 PHILIPS SCREW
15	270 087103	FEED DOG BASE
16	270 087104	FEED DOG BASE SUPPORT
17	270 087105	FEED DOG
19	270 087145	SECURING BRACKET
20	270 087174	FORKED CRANK
24	270 087206	PIN
25	270 087208	BALL HEADED PIN
26	270 087210	PIN
27	270 087226	VERTICAL FEED BLOCK
28	270 087232	M6 STUD SCREW
29	270 087262	M3 CP SCREW
30	270 087268	M6 NUT
31	270 087269	WASHER
32	270 087433	TORSION SPRING
33	416506801	SECURING PLATE



POS	PART NO.	DESCRIPTION
1	270 001513	E4 CLIP-ON-WASHER
2	270 031246	WASHER
3	270 051049	FEED REGULATOR UNIT
4	270 059221	WASHER
5	270 063796	M3 SCREW
6	270 063805	WASHER
7	270 064653	M3 SCREW
8	270 077041	UNITY FASTENER
9	270 077527	SENSOR COVER
10	270 080110	M3 PHILIPS SCREW
11	416442801	M3 PHILIPS SCREW
12	270 087146	BRACKET
13	270 087148	STEPPING MOTOR BRACKET
14	270 087178	FEED REGULATOR SHAFT METAL BUSH
15	270 087188	EXTENSION SPRING
16	270 087189	COMPRESSION SPRING
17	270 087191	COMPRESSION SPRING
18	270 087253	PINION GEAR
19	416821901	CP BOLT
20	270 087262	M3 CP SCREW
21	270 087273	PIN
22	270 087274	WASHER
23	416463101	SWITCH HARNESS
24	270 087600	STEPPING MOTOR
25	270 087668	M4 BOLT
26	270 088118	FEED REGULATOR

J

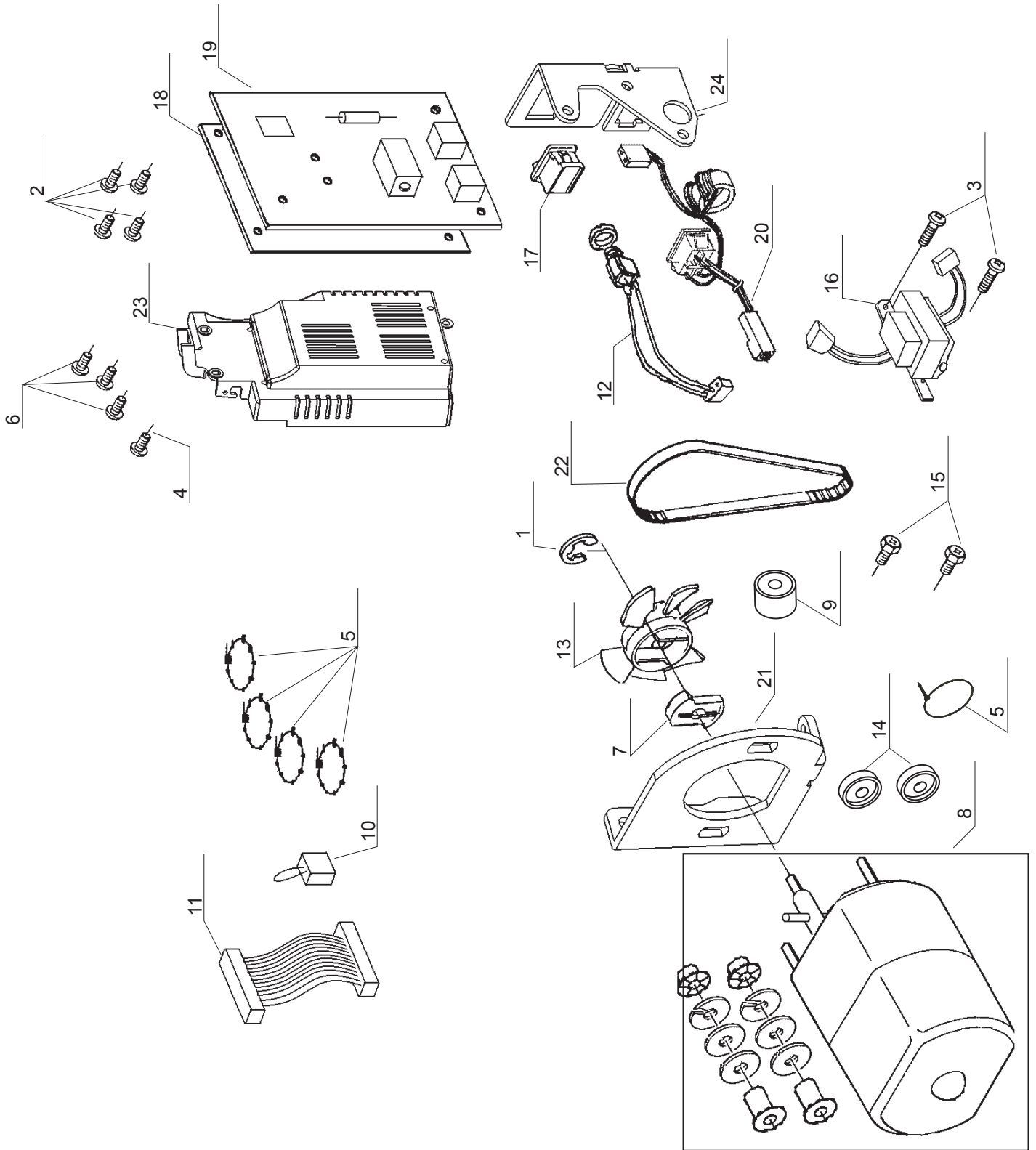
120 V



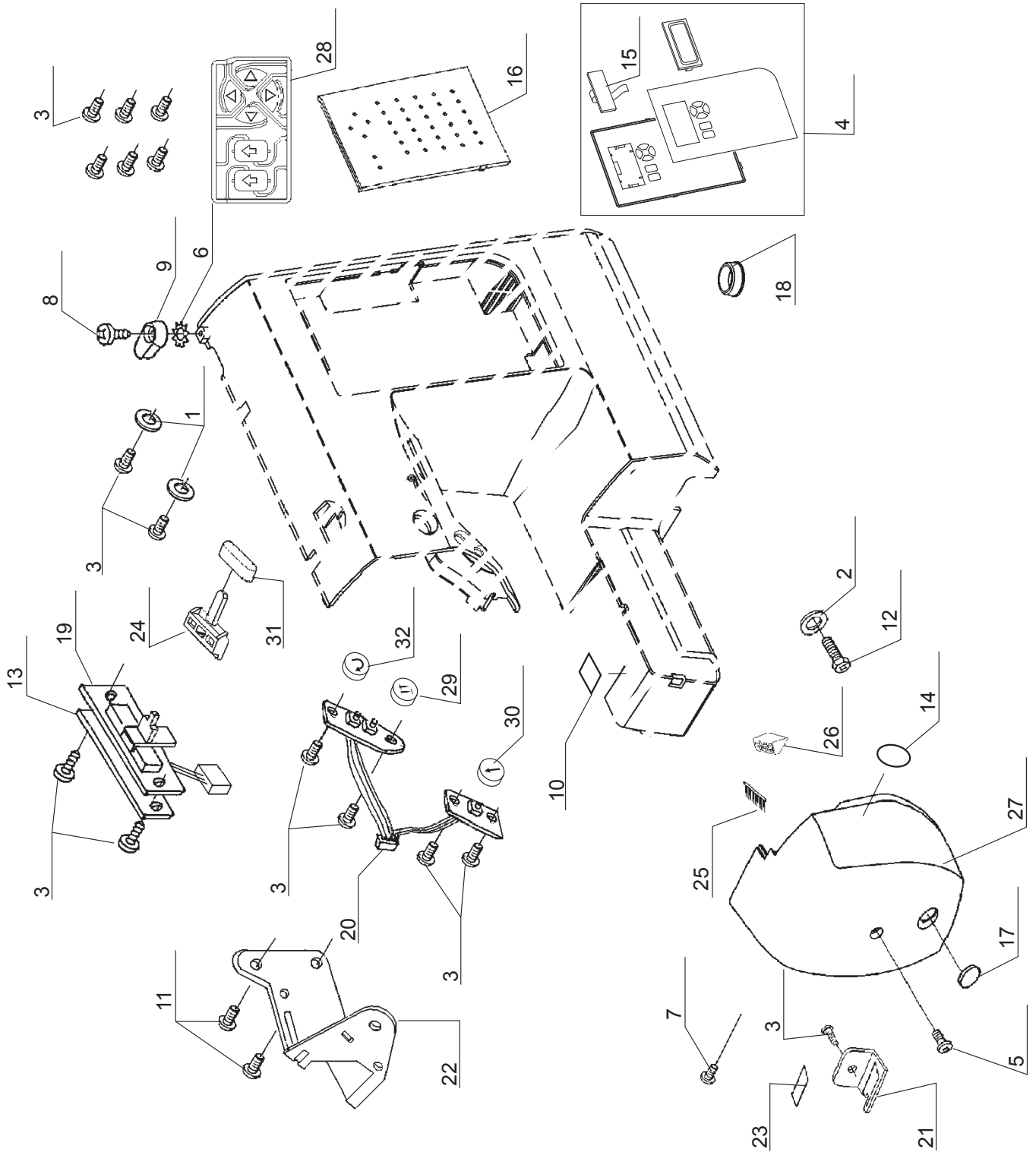
POS	PART NO.	DESCRIPTION
1	270 001520	E3 CLIP-ON-WASHER
2	270 039213	M3 SCREW
3	270 061222	M4 PHILIPS SCREW
4	270 061224	M4 PHILIPS SCREW
5	270 077041	UNITY FASTENER
6	270 077042	M4 PHILLIPS SCREW
7	270 077614	GEAR CLUTCH
8	68002984	INLET HARNESS ASSEMBLY
9	416537801	5P CORD HARNESS
11	270 087237	MOTOR FAN
12	416821901	CP BOLT
13	270 087510	MAIN MOTOR 120V
14	270 087514	TRANSFORMER 120V
15	270 087530	CIRCUIT BOARD 120V
18	270 087542	INSULATION SHEET
20	416512401	DRIVING BELT

K

230V



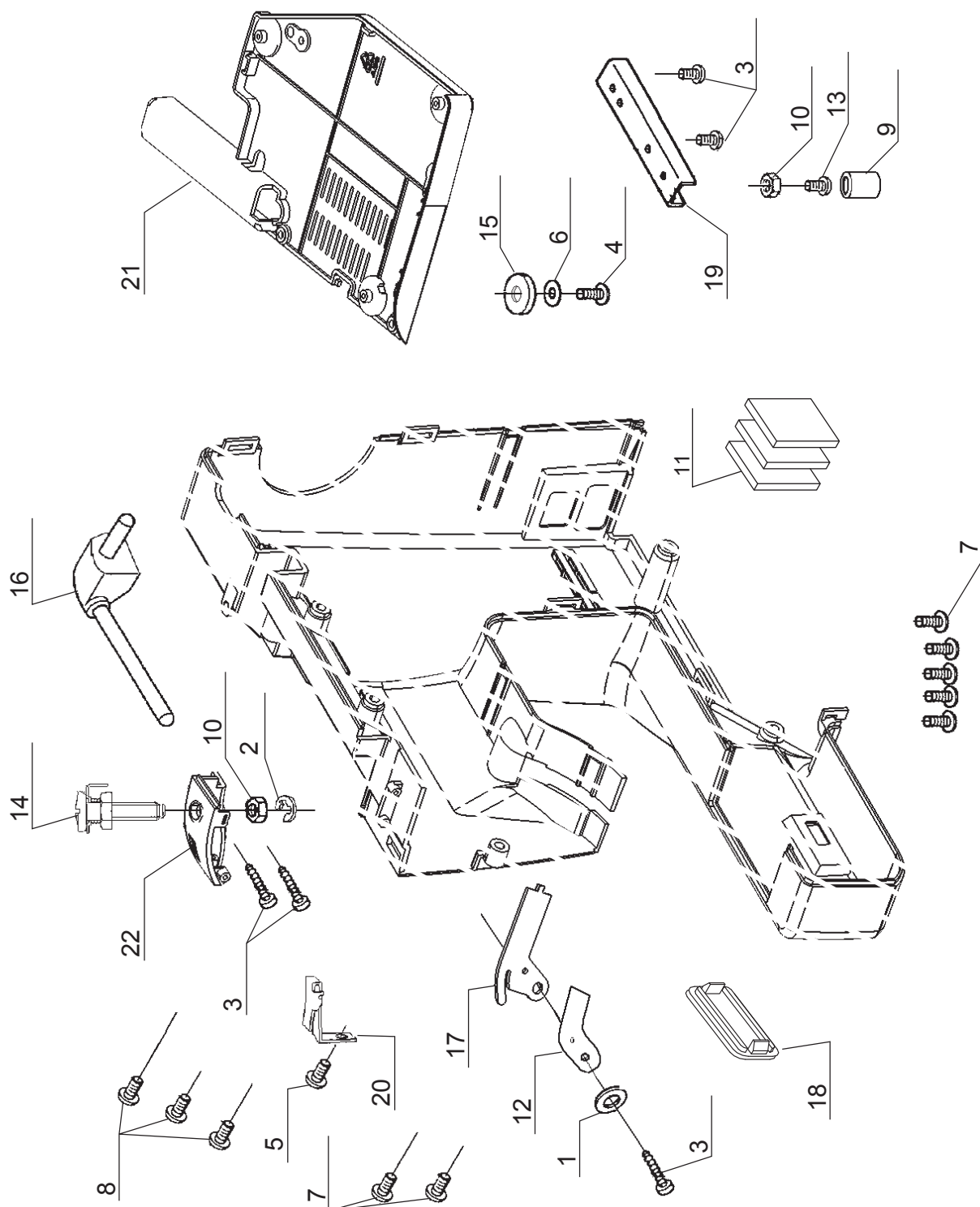
POS	PART NO.	DESCRIPTION
1	270 001520	E3 CLIP-ON-WASHER
2	270 039213	M3 SCREW
3	270 061222	M4 PHILIPS SCREW
4	270 061224	M4 PHILIPS SCREW
5	270 077041	UNITY FASTENER
6	270 077042	M4 PHILLIPS SCREW
7	270 077614	GEAR CLUTCH
8	416474101	MAIN MOTOR
9	270 085318	FERRITE RING
11	416537801	5P CORD HARNESS
12	270 087085	PIN-JACK HARNESS
13	270 087237	MOTOR FAN
14	270 087257	BUSH
15	416821901	CP BOLT
16	270 087519	TRANSFORMER 240V
17	270 087541	SWITCH
18	270 087542	INSULATION SHEET
19	270 087553	CIRCUIT BOARD 240V
20	270 087575	INLET HARNESS
22	416512401	DRIVING BELT



POS	PART NO.	DESCRIPTION
1	270 025670	WASHER
2	270 031246	WASHER
3	270 039213	M3 SCREW
4	416512101	CONTROL PANEL
4	68001482	CONTROL PANEL (7285QONLY)
5	270 061222	M4 PHILIPS SCREW
6	270 064360	TOOTHED WASHER
7	270 065736	M4 PHILIPS SCREW
8	270 074795	TAPPING SCREW
9	270 076440	BOBBIN WINDER LATCH
10	270 076511	SEAL
11	270 077042	M4 PHILIPS SCREW
12	270 077044	M3 PHILIPS SCREW
14	416458601	SEAL
15	416463901	LCD
16	416512301	CPU / SWITCH CIRCUIT BOARD
18	270 086918	CAP
19	416564701	SLIDE HARNESS
20	416564801	SWITCH HARNESS
21	270 087345	BLADE FIXTURE
23	270 087766	BLADE
24	416449601	SLIDE LEVER
27	416512201	FACE COVER
28	416464001	PATTERN SWITCH
28	416828101	PATTERN SWITCH (7285QONLY)
29	416564401	BUTTON
30	416564501	BUTTON
31	416564601	KNOB
31	68001477	KNOB (7285QONLY)
32	416770801	BUTTON
33	68001476	FACE COVER (7285QONLY)
34	68001479	BUTTON (7285QONLY)
35	68001480	BUTTON (7285QONLY)
36	68001481	BUTTON (7285QONLY)

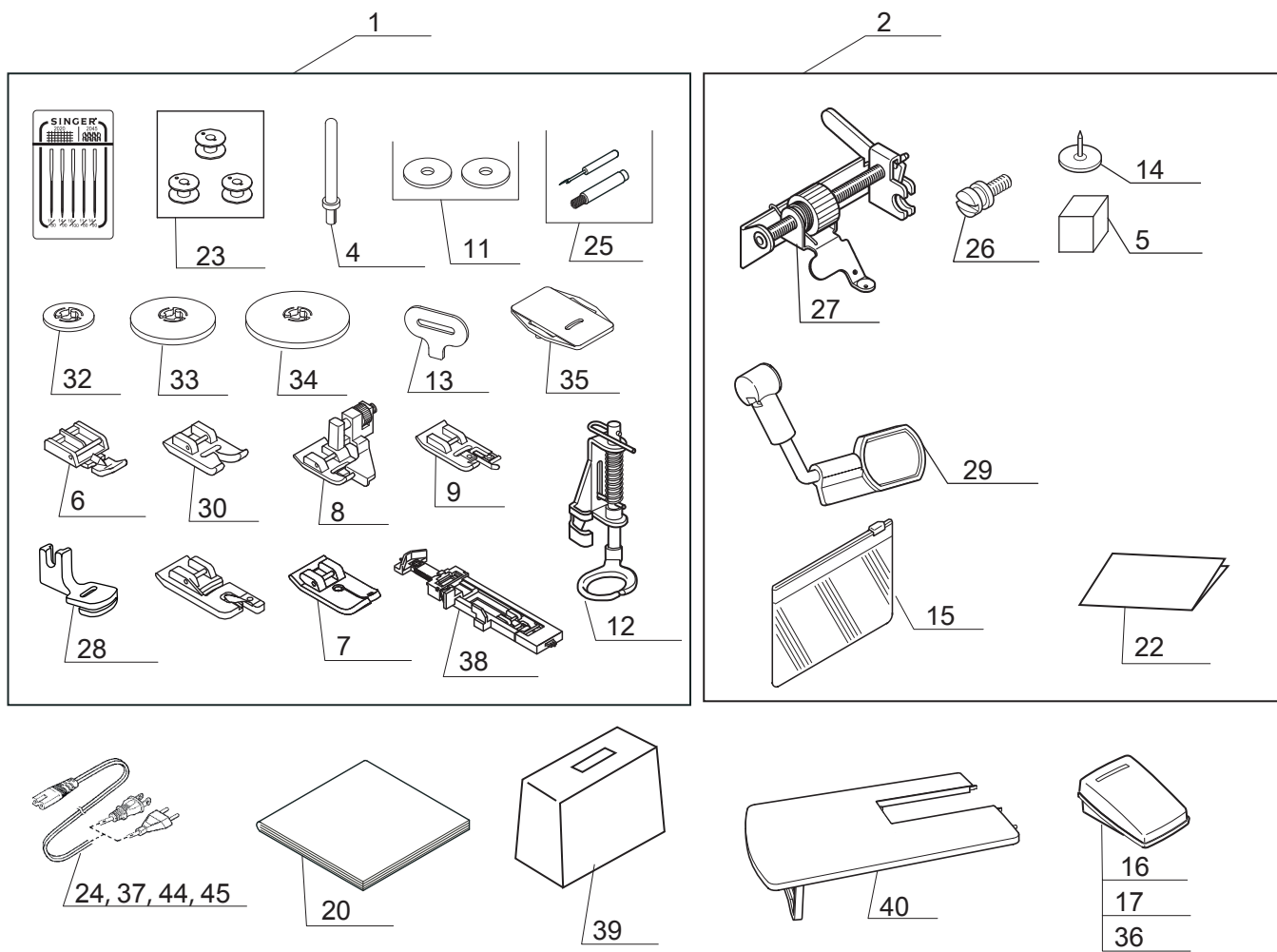
L

M



POS	PART NO.	DESCRIPTION
1	270 004844	WASHER
2	270 027925	E2.5 CLIP-ON-WASHER
3	270 039213	M3 SCREW
4	270 044261	M4 SCREW
6	270 059221	WASHER
7	270 061224	M4 PHILLIPS SCREW
8	270 064484	TAPPING SCREW
9	416509201	RUBBER FOOT
10	270 073299	M4 TORQUE NUT
12	270 077528	SPRING PLATE
13	270 086038	STUD SCREW
14	270 087250	M4 SPECIAL SCREW UNIT
15	416509301	RUBBER FOOT
16	270 087296	SPOOL PIN UNIT
17	270 087315	TENSION PLATE
18	270 087483	CAP

N



POS	PART NO.	DESCRIPTION
1	270 052035	ACCESSORY SET (Main)
2	270 052036	ACCESSORY SET
4	270 064083	SPOOL PIN
5	270 075293	SPACER
6	416465101	ZIPPER FOOT
7	416129101	STRAIGHT STITCH FOOT
8	416437101	BLIND STITCH FOOT
9	270 006907008	OVERCASTING FOOT
11	270 077040	SPOOL PIN DISC
12	270 077079	DARNING & EMBROIDERY FOOT
13	270 079455	LARGE SCREW DRIVER
14	270 080007	THUMB TACK
15	141000297	ACCESSORY VINYL BAG
16	416436101	FOOT CONTROL (PIN-JACK TYPE)
17	416436101	FOOT CONTROL (PIN-JACK TYPE)
20	620 082242	INSTRUCTION BOOK (Eng/Fre/Spa)
22	620 082247	INSTRUCTION SHEET (CIRCLE STITCH ATTACHEMENT)
23	270 085128	BOBBIN
24	412157801	POWER CORD (220V)
25	416436401	BUTTONHOLE OPENER / BRUSH
26	270 086606	SPECIAL PRESSER FOOT SCREW
27	270 052069	CIRCLE STITCH ATTACHEMENT
28	270 086626	GATHERING FOOT
29	270 086640	MAGNIFYING GLASS
30	416437201	SATIN FOOT
32	270 087287	SPOOL PIN CAP (MINI)
33	270 087289	SPOOL PIN CAP (SMALL)
34	270 087290	SPOOL PIN CAP (LARGE)
35	270 087294	DARNING PLATE
36	416436101	FOOT CONTROL (PIN-JACK TYPE)
37	412157903	POWER CORD (120V)
38	416465601	BUTTONHOLE FOOT
39	270 088218	VINYL COVER
40	270 052017	EXTENSION TABLE