

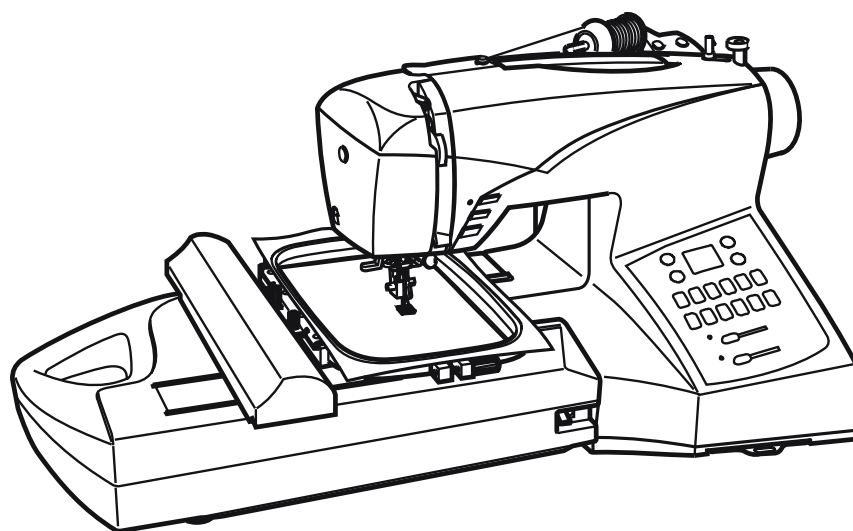


SINGER | Futura™

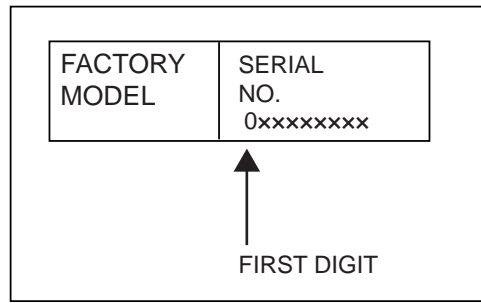
CE-150

CE-250

CE-350



Liste de pièces
Lista de Piezas
Parts List

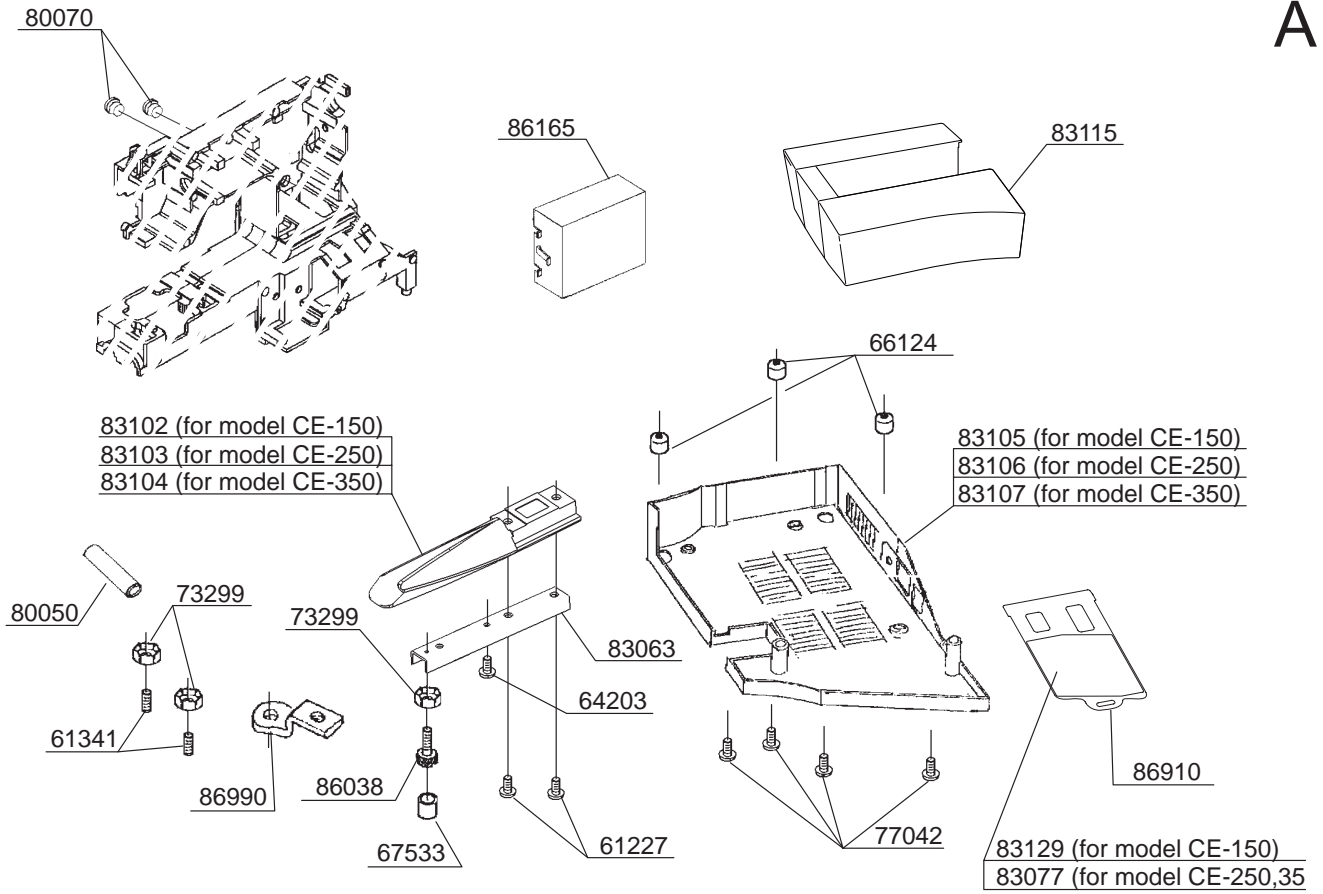
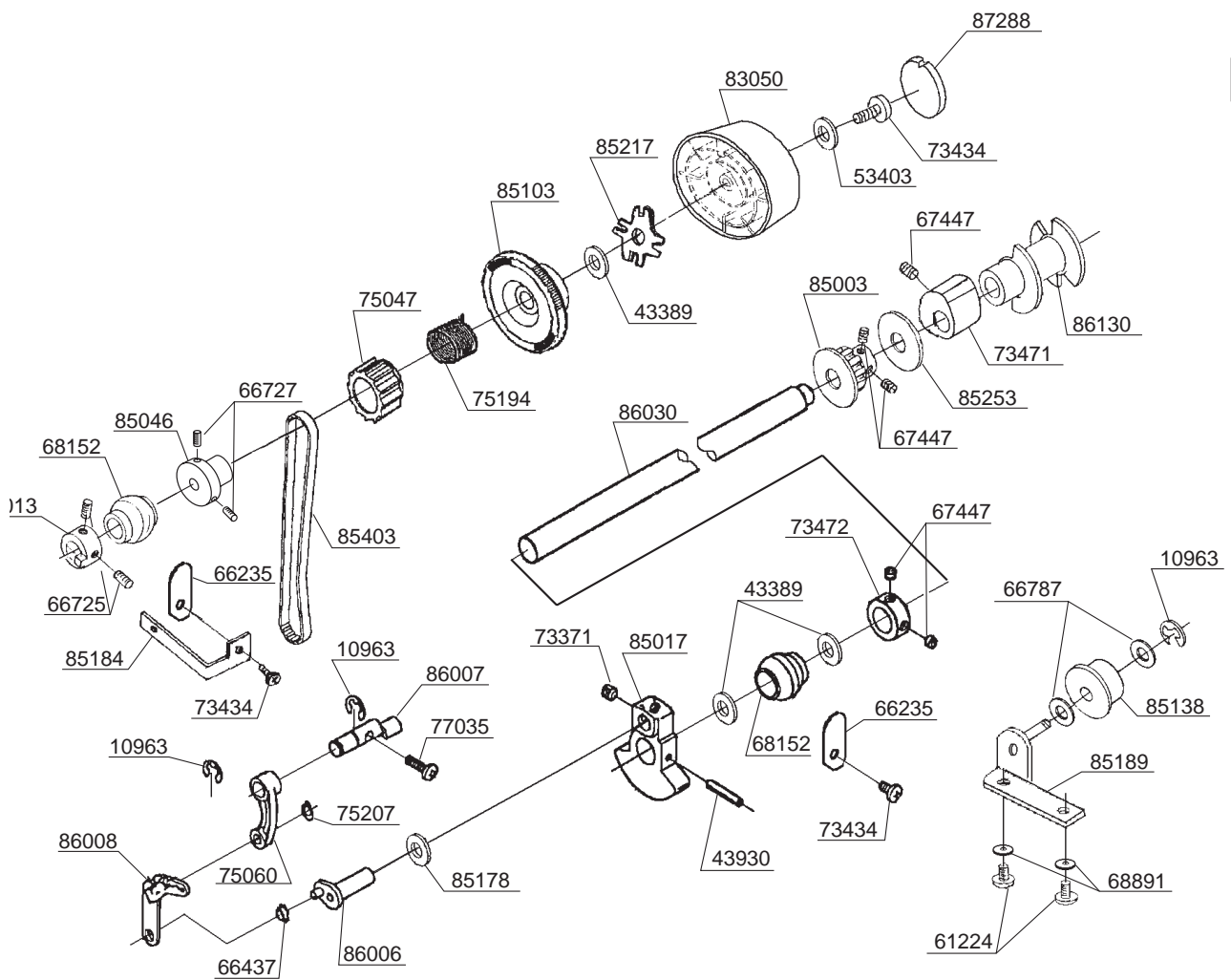


IMPORTANT:

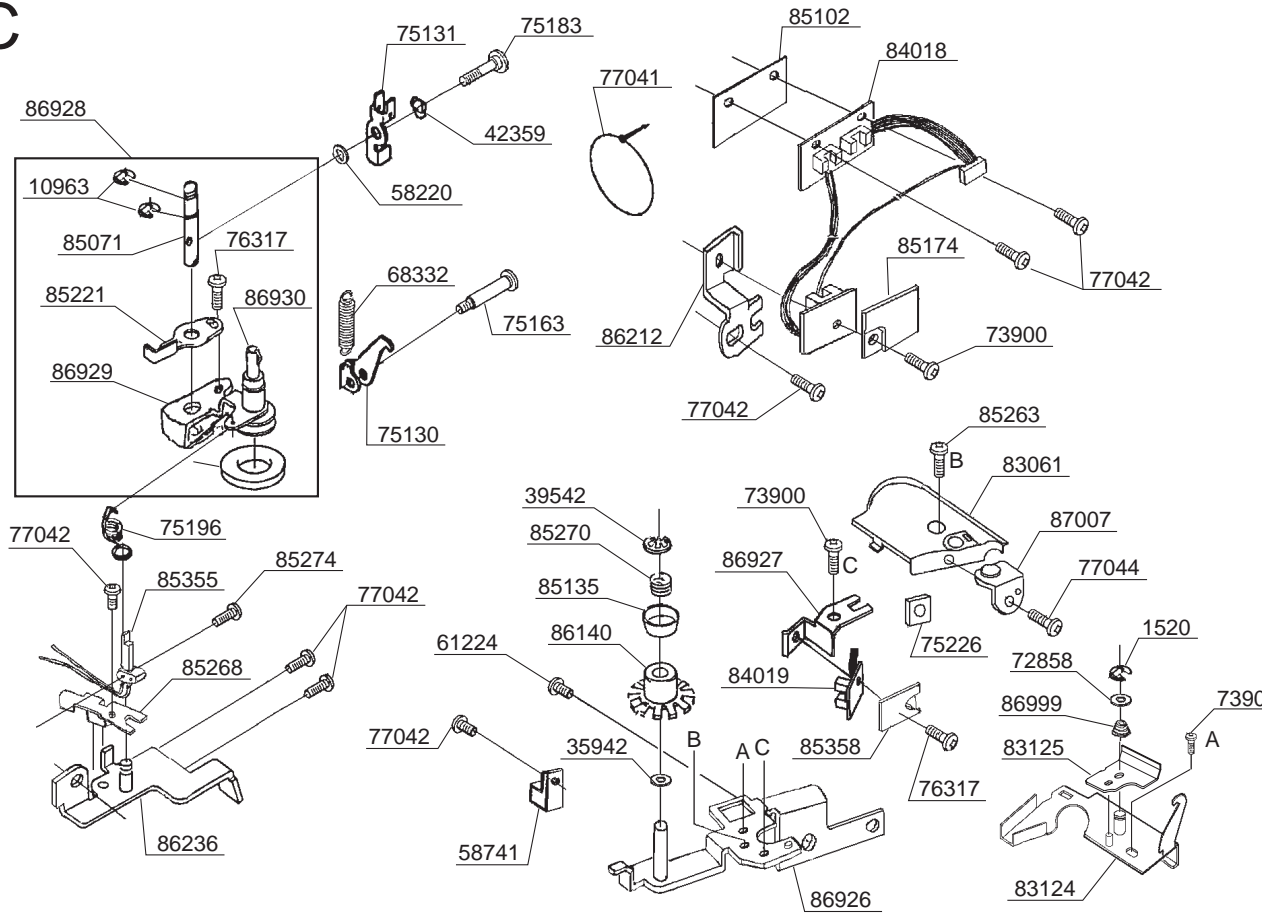
WHEN ORDERING THE PARTS ALWAYS CHECK THE SERIAL NUMBER OF THE MACHINE.

FIRST DIGIT OF THE SERIAL NUMBER MUST MATCH WITH THE LAST DIGIT OF THE FACTOR MODEL BELOW.

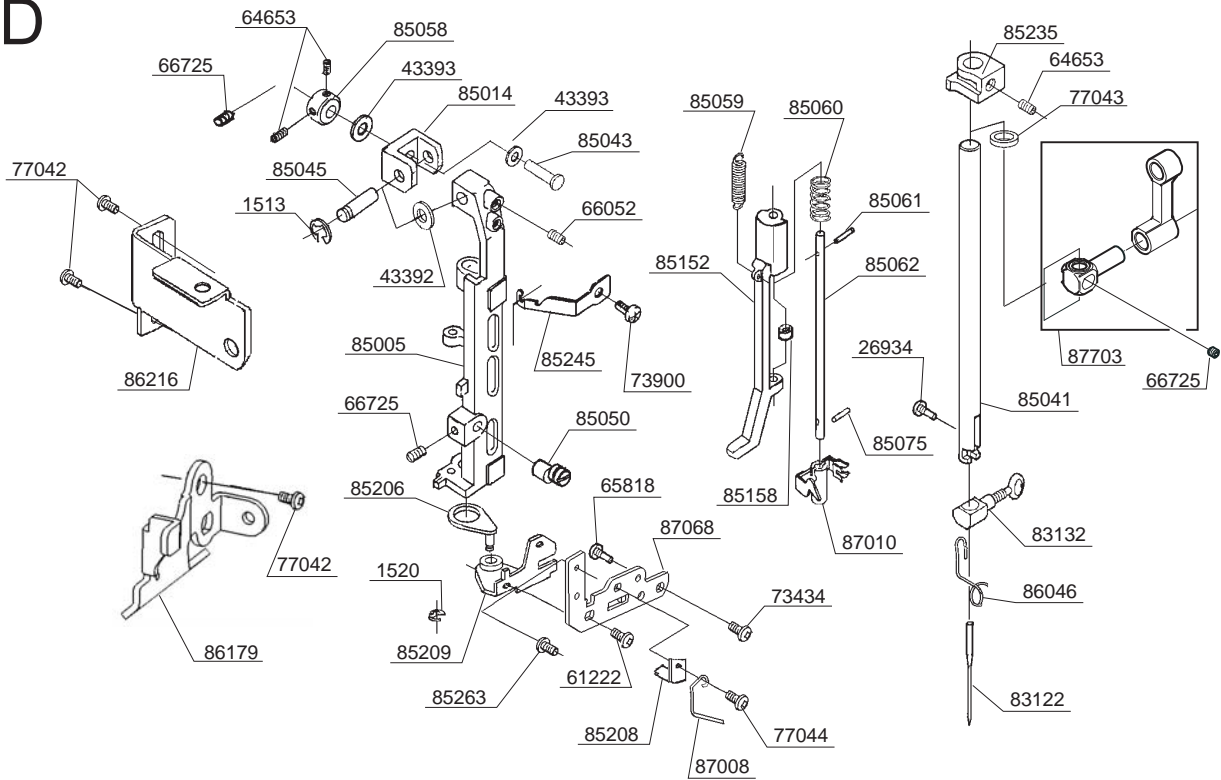
FACTORY MODEL 22660, 22760, 22860, 226S0, 227S0, 228S0

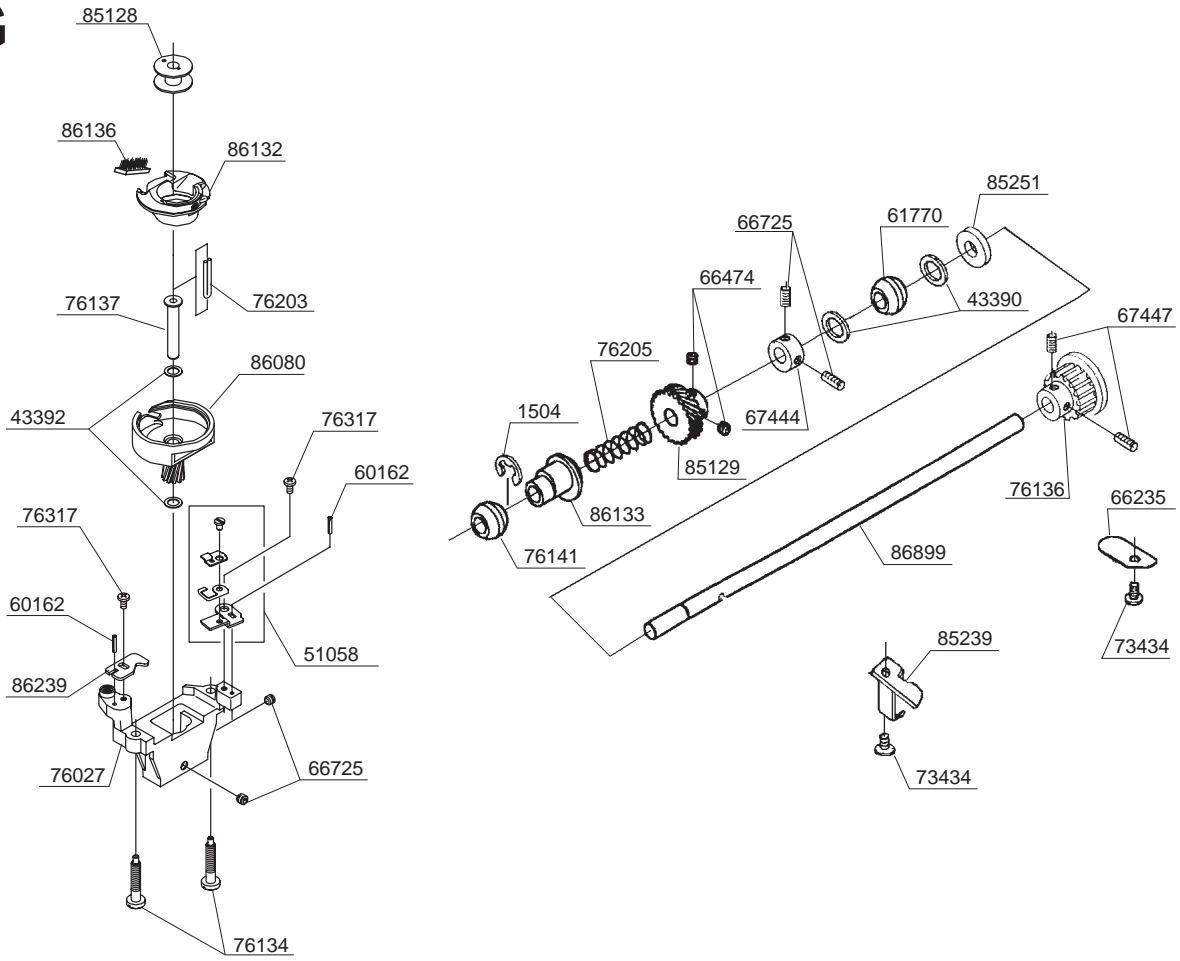
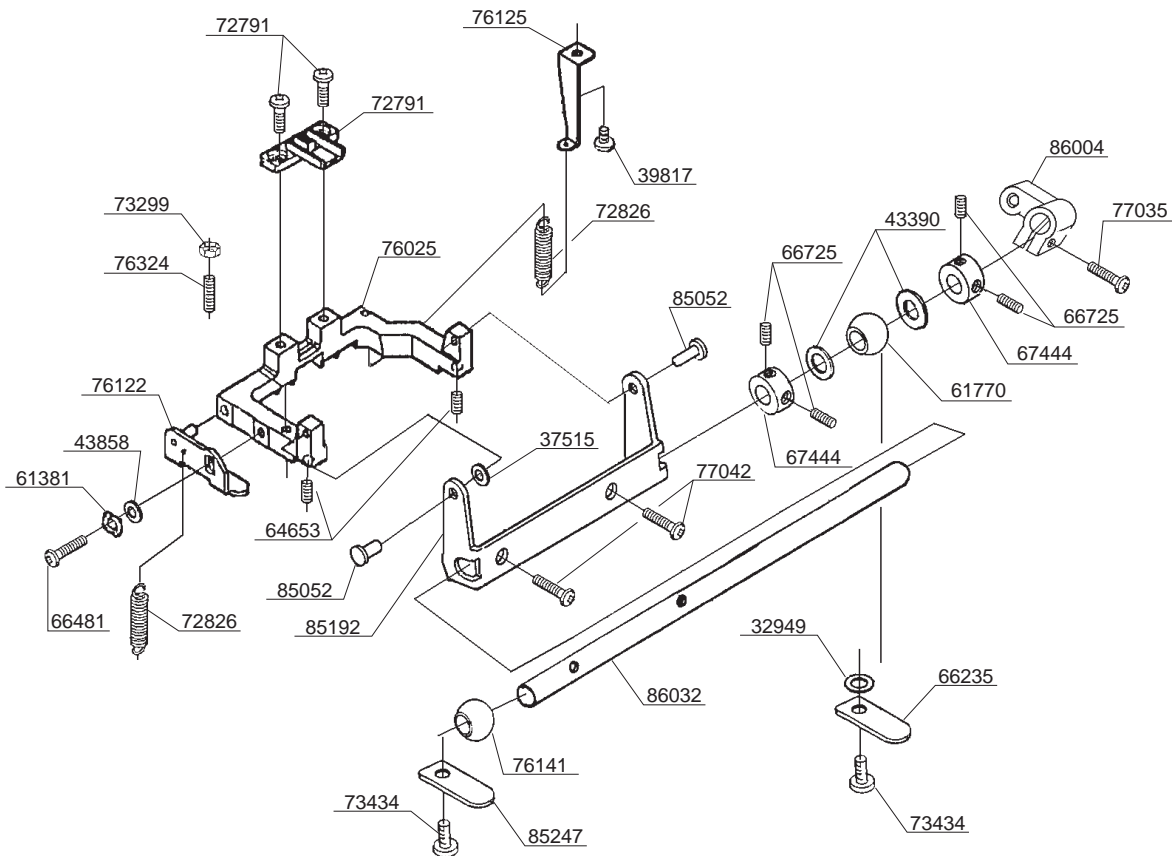
A**B**

C

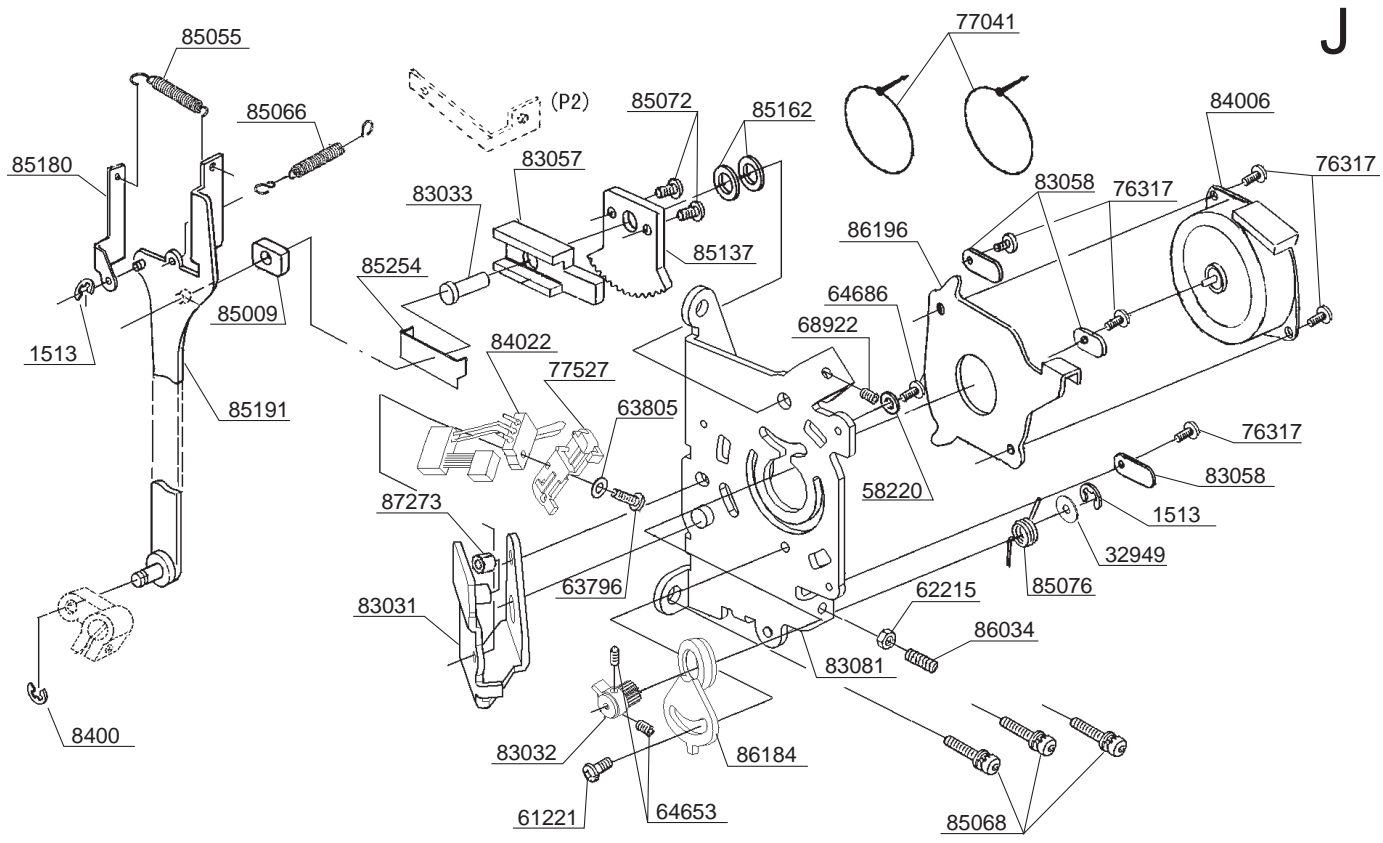


D

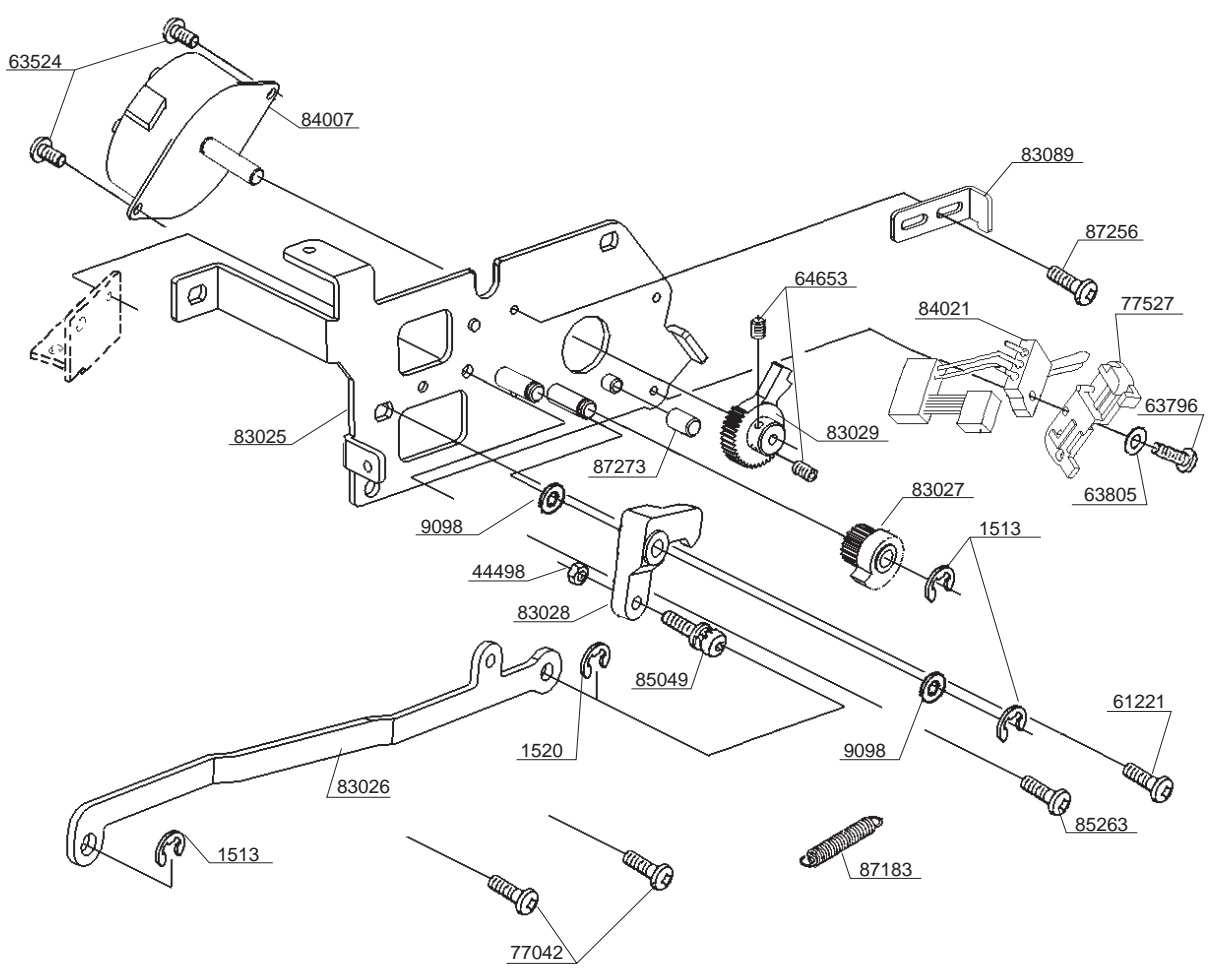


G**H**

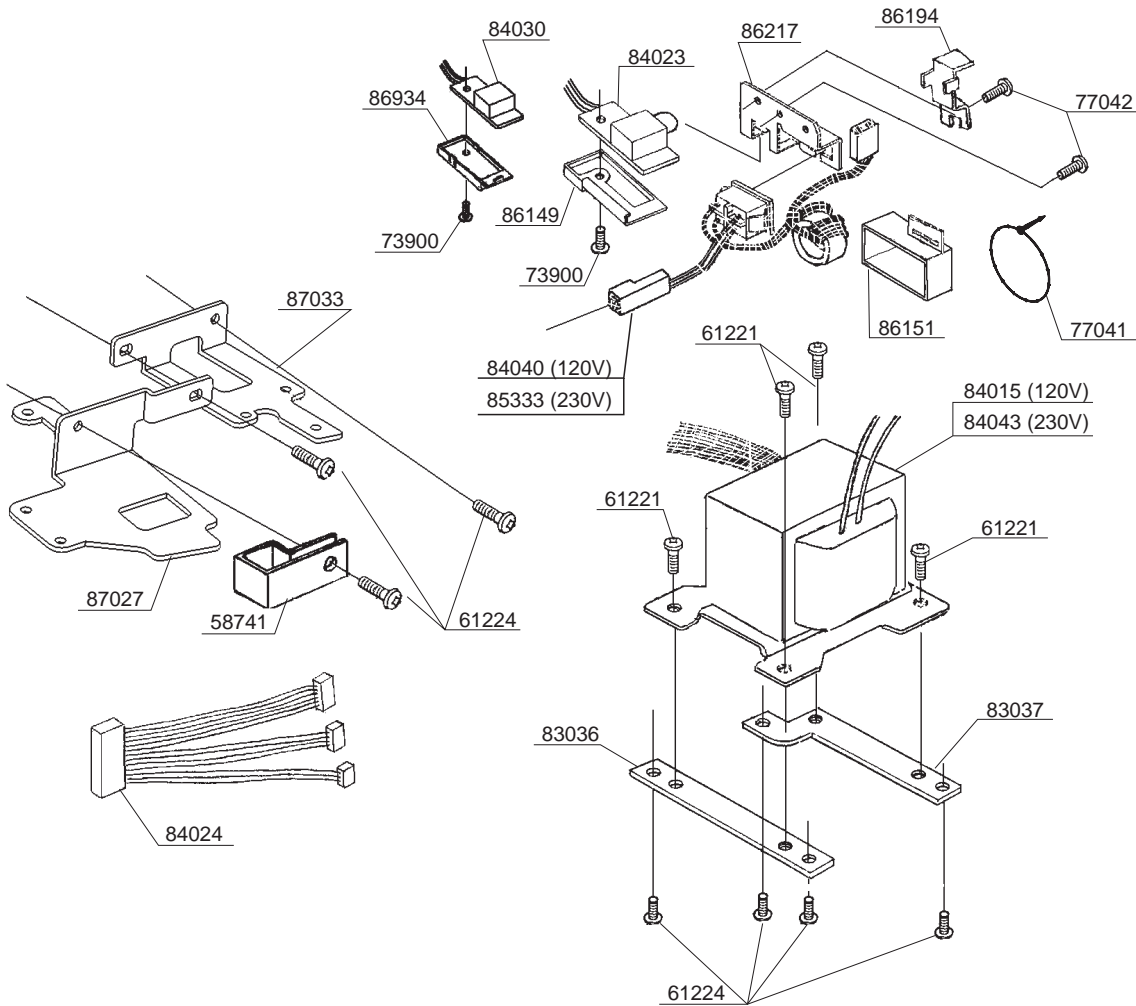
J



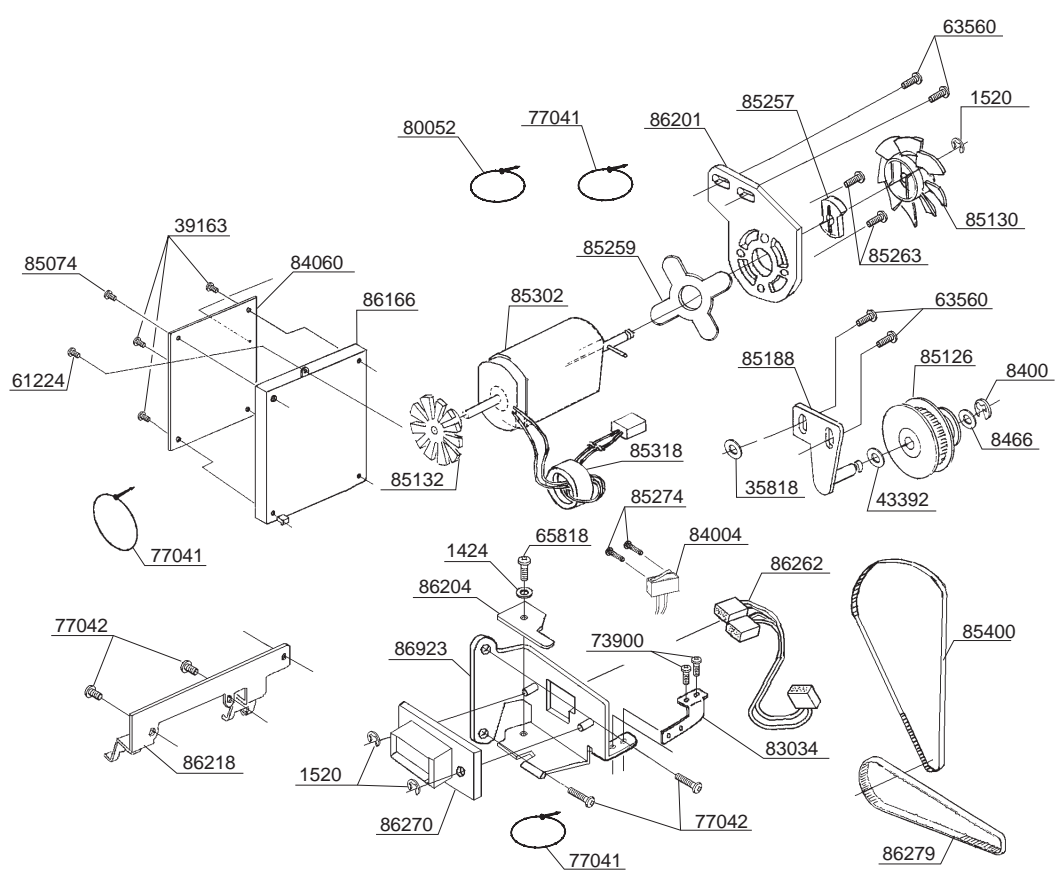
K



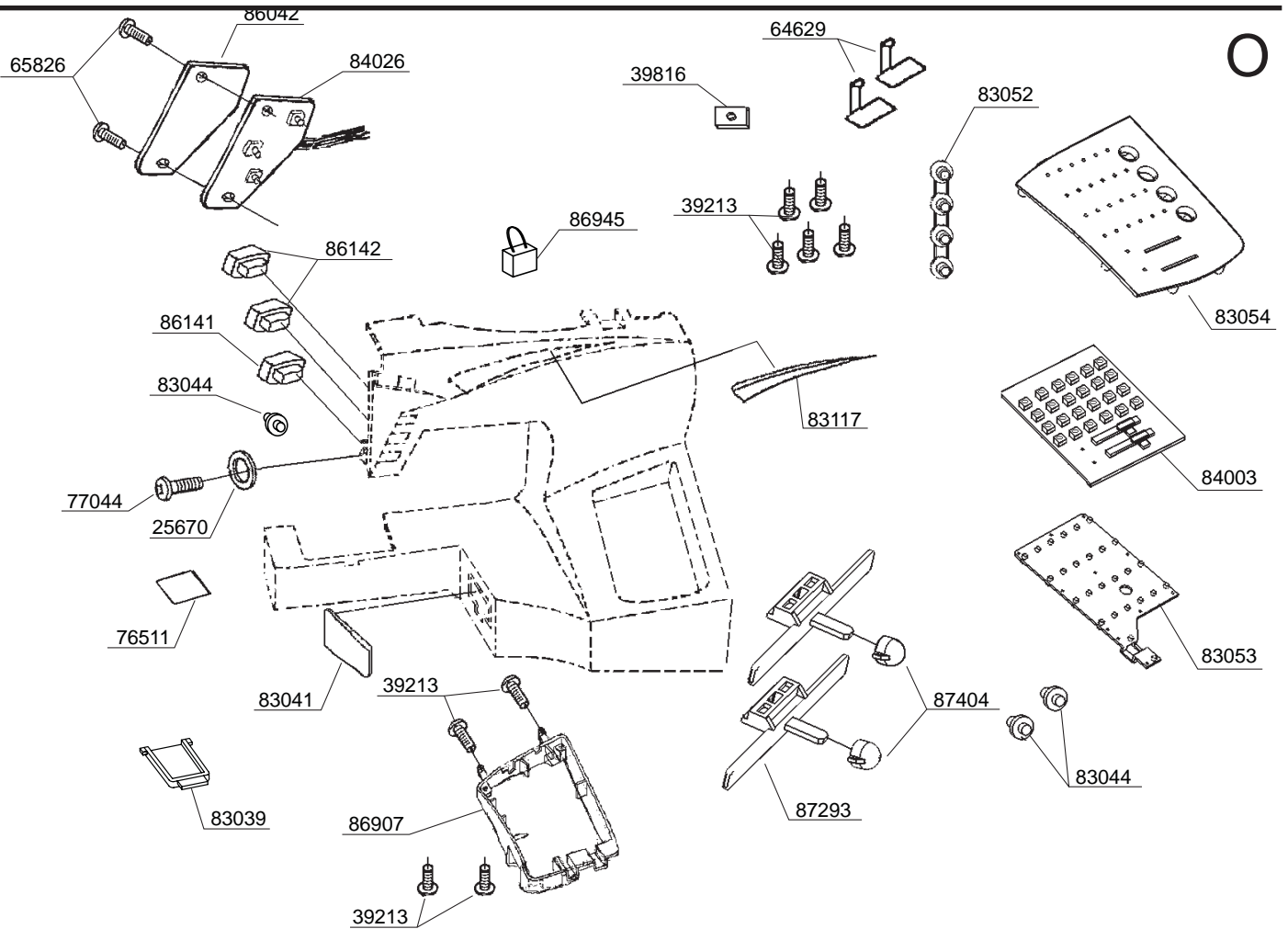
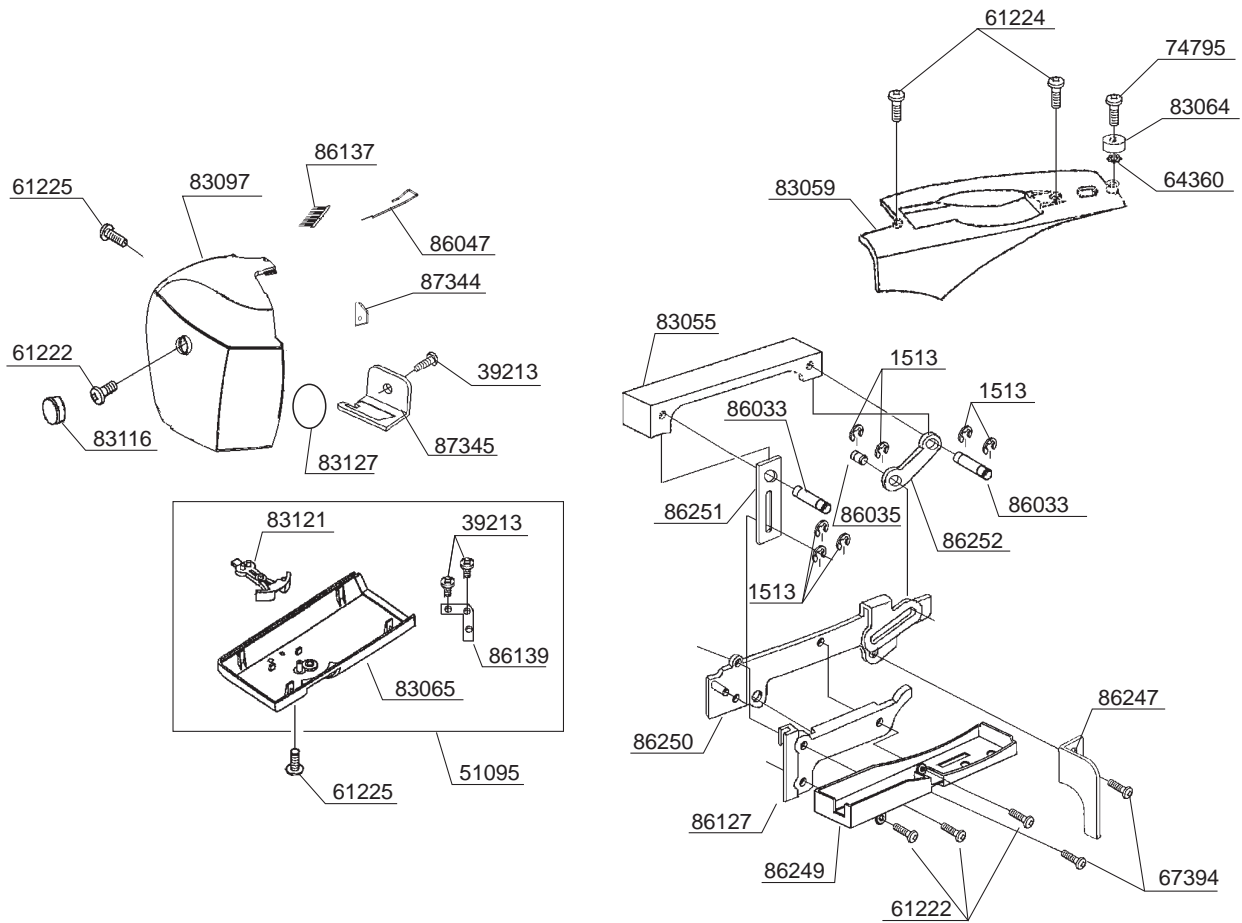
L



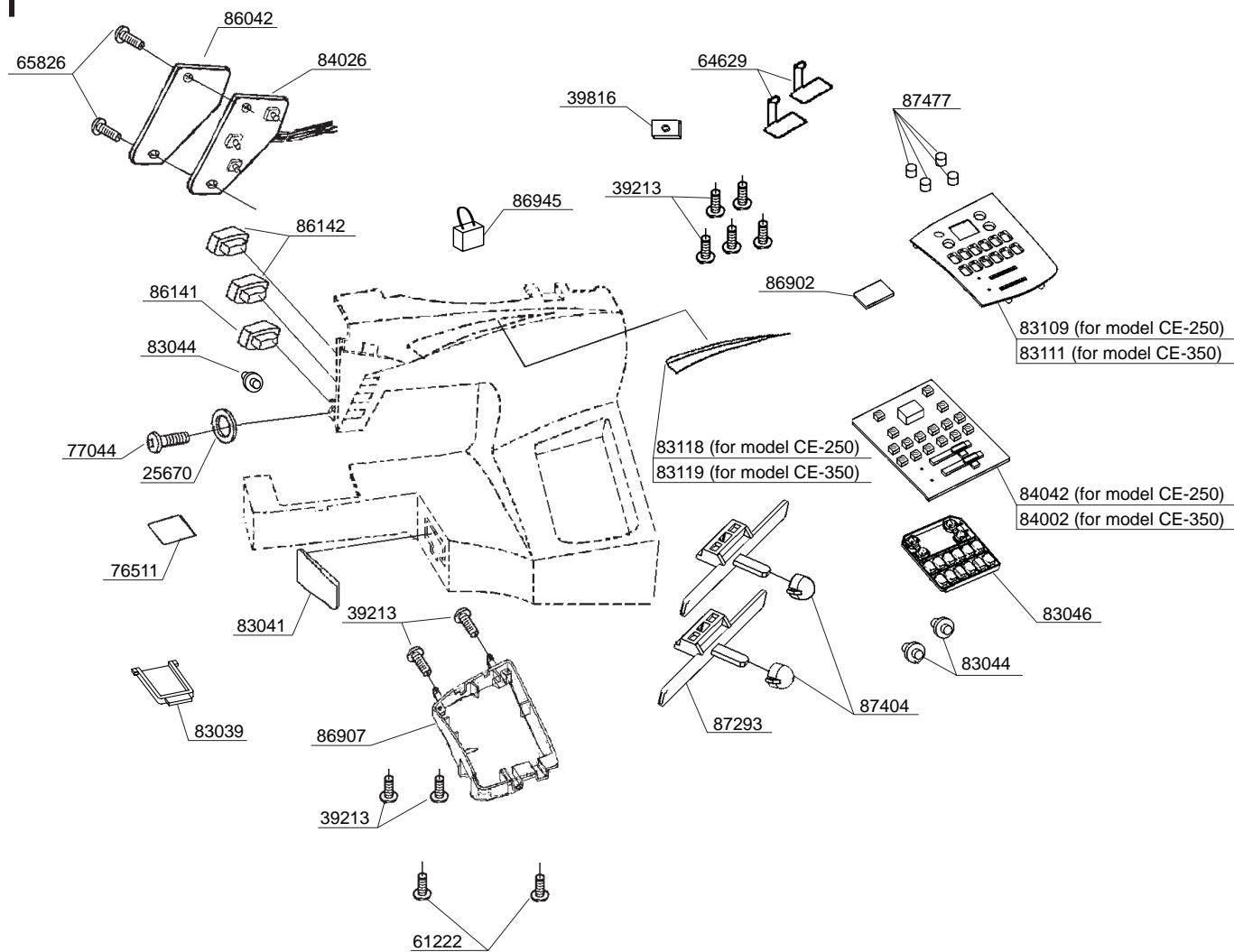
M



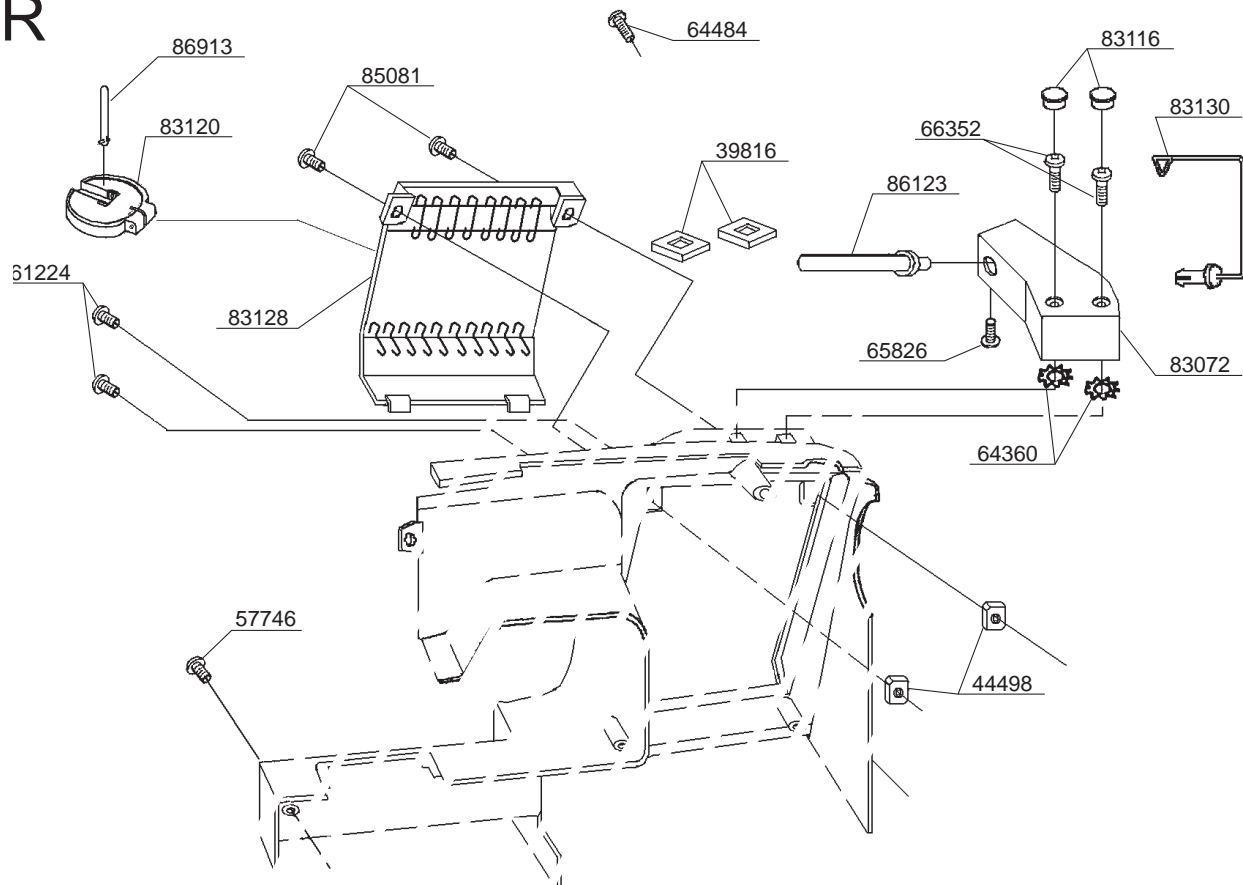
Regarding main circuit board
 The main circuit board #84050 is used with initially assembled products.
 #84060 is used for further production under running change basis.
 #84060 is substituted for #84050

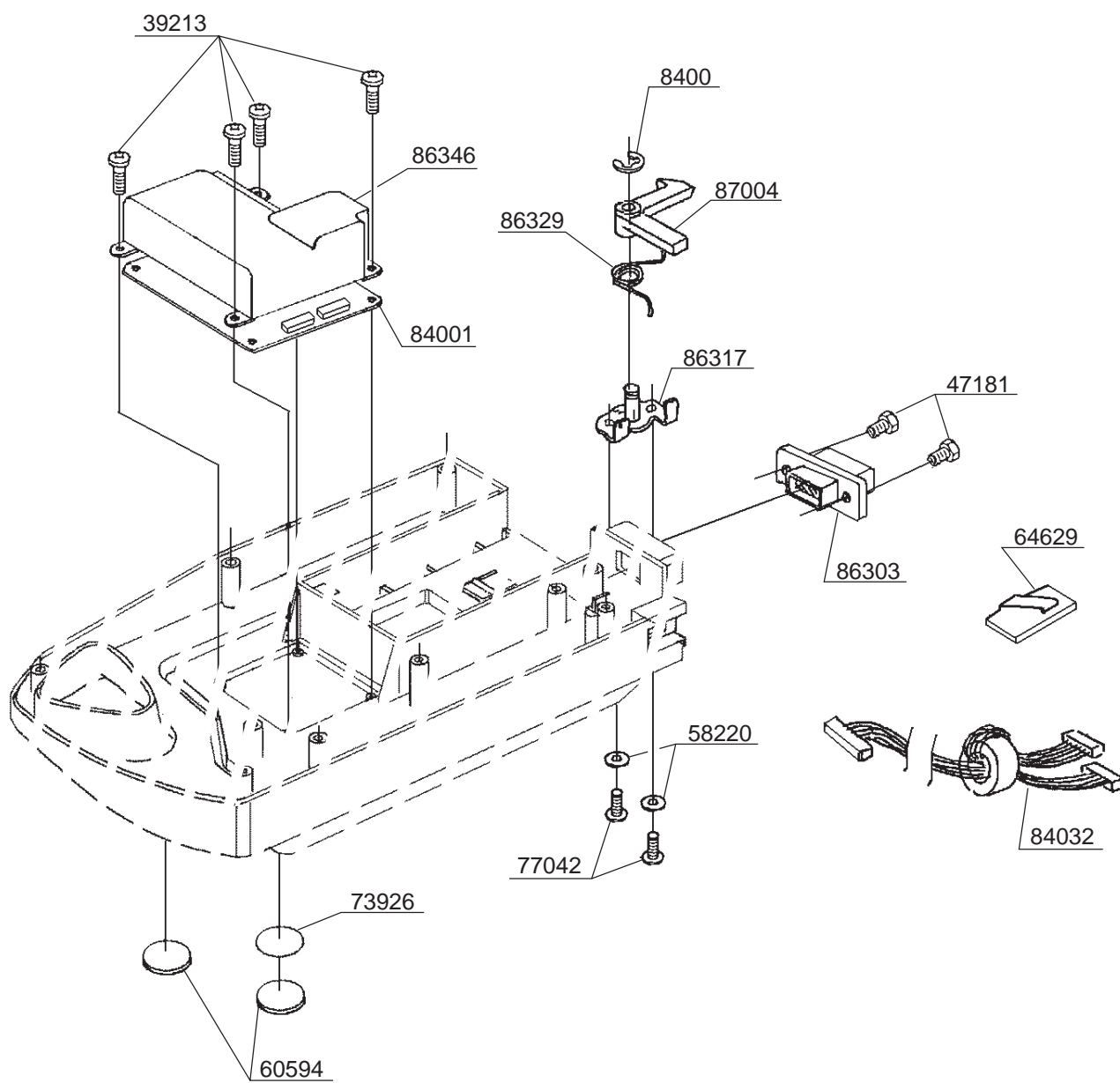


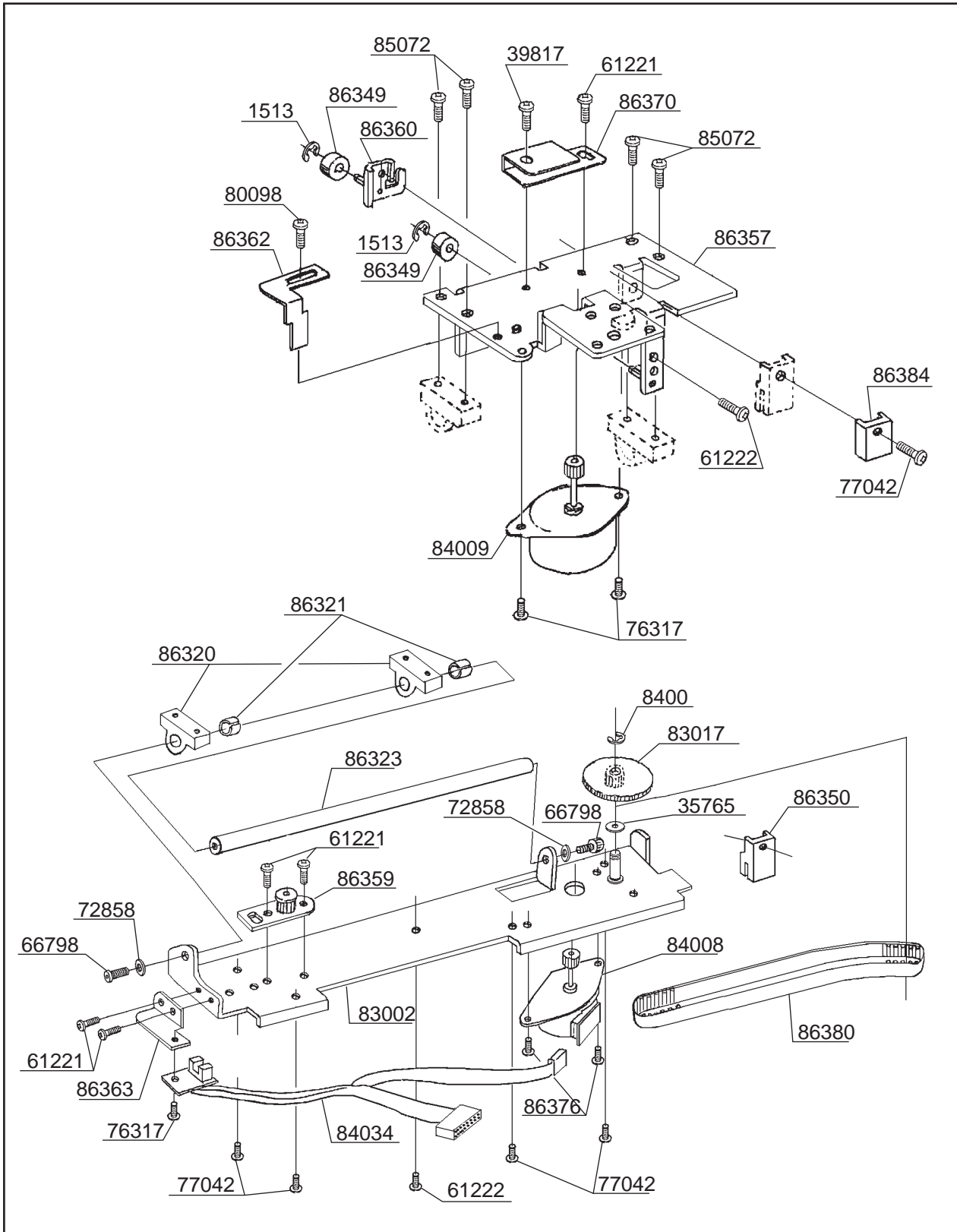
P

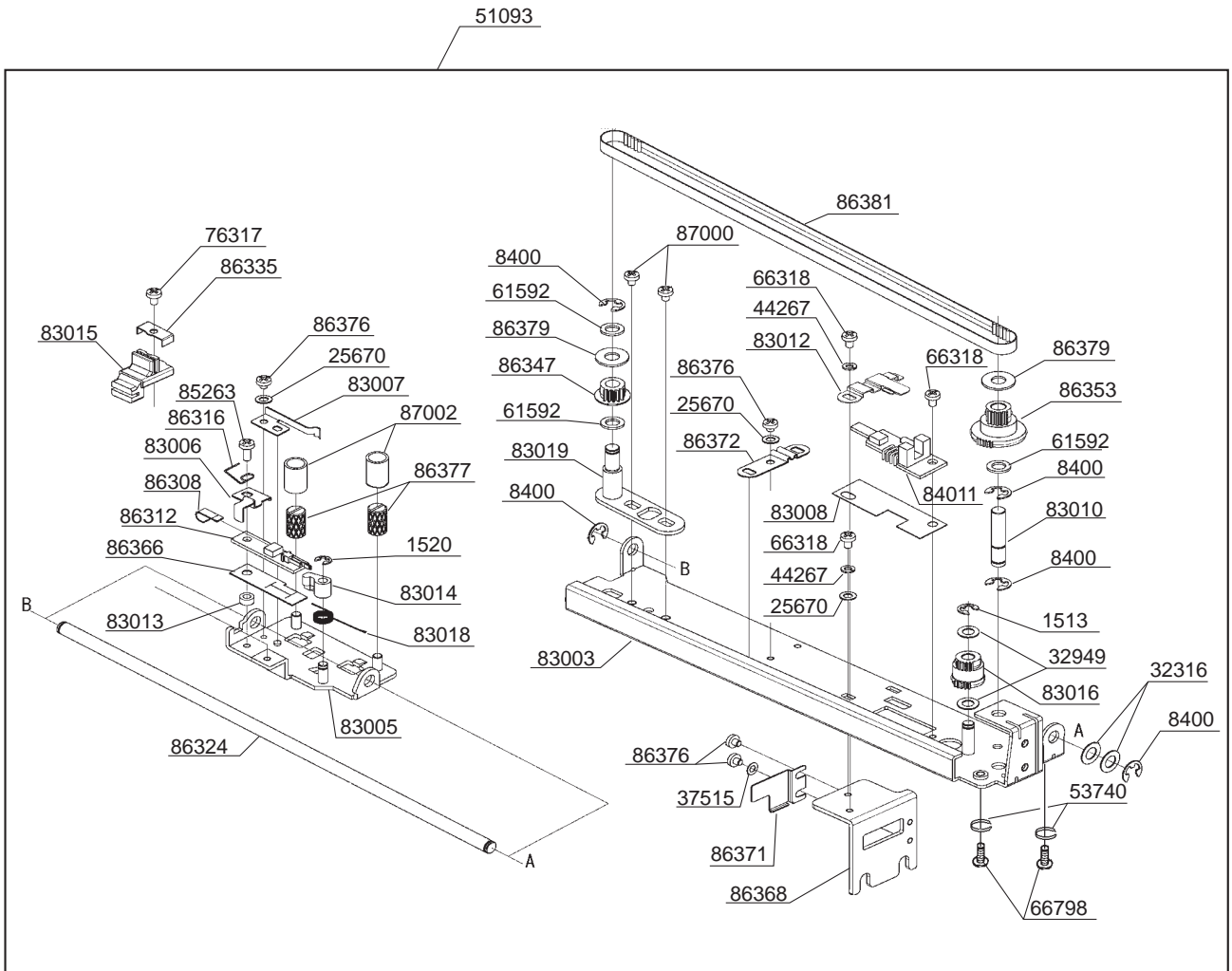


R

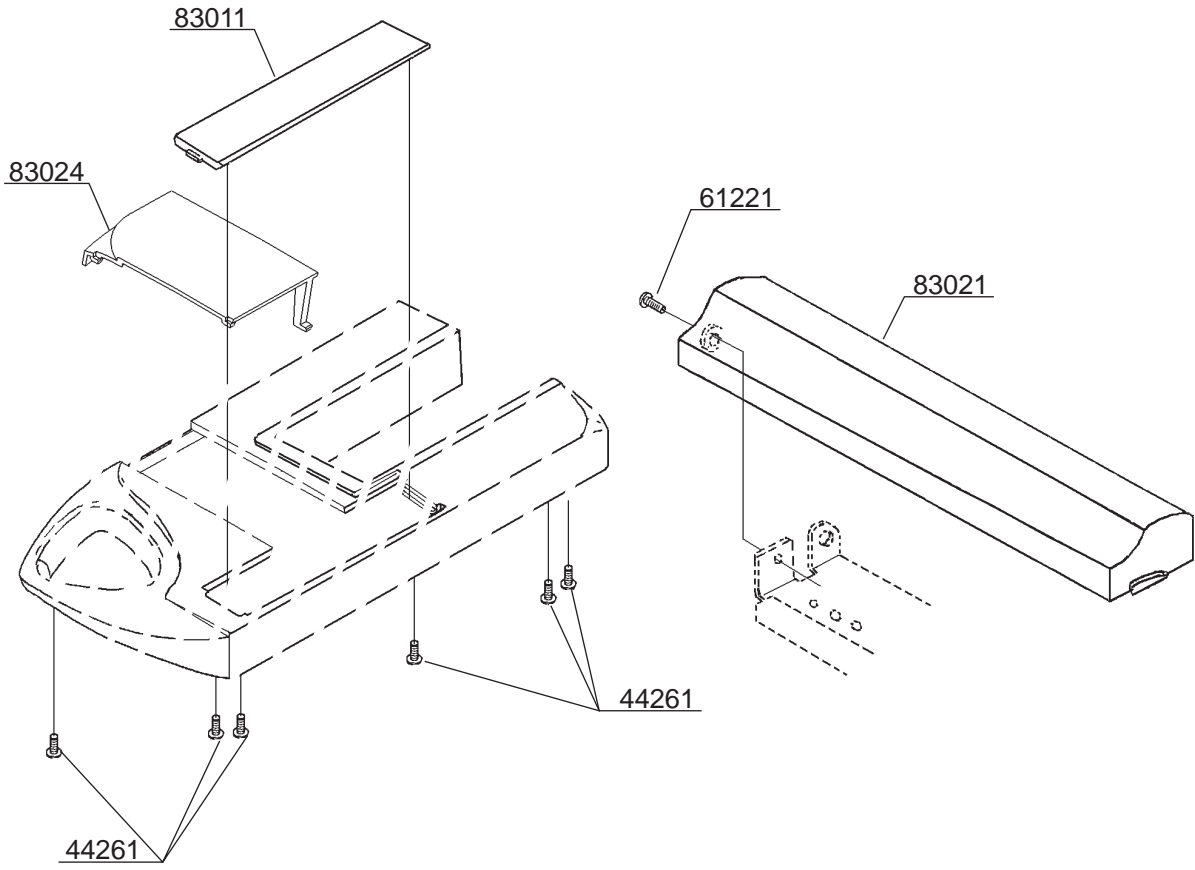




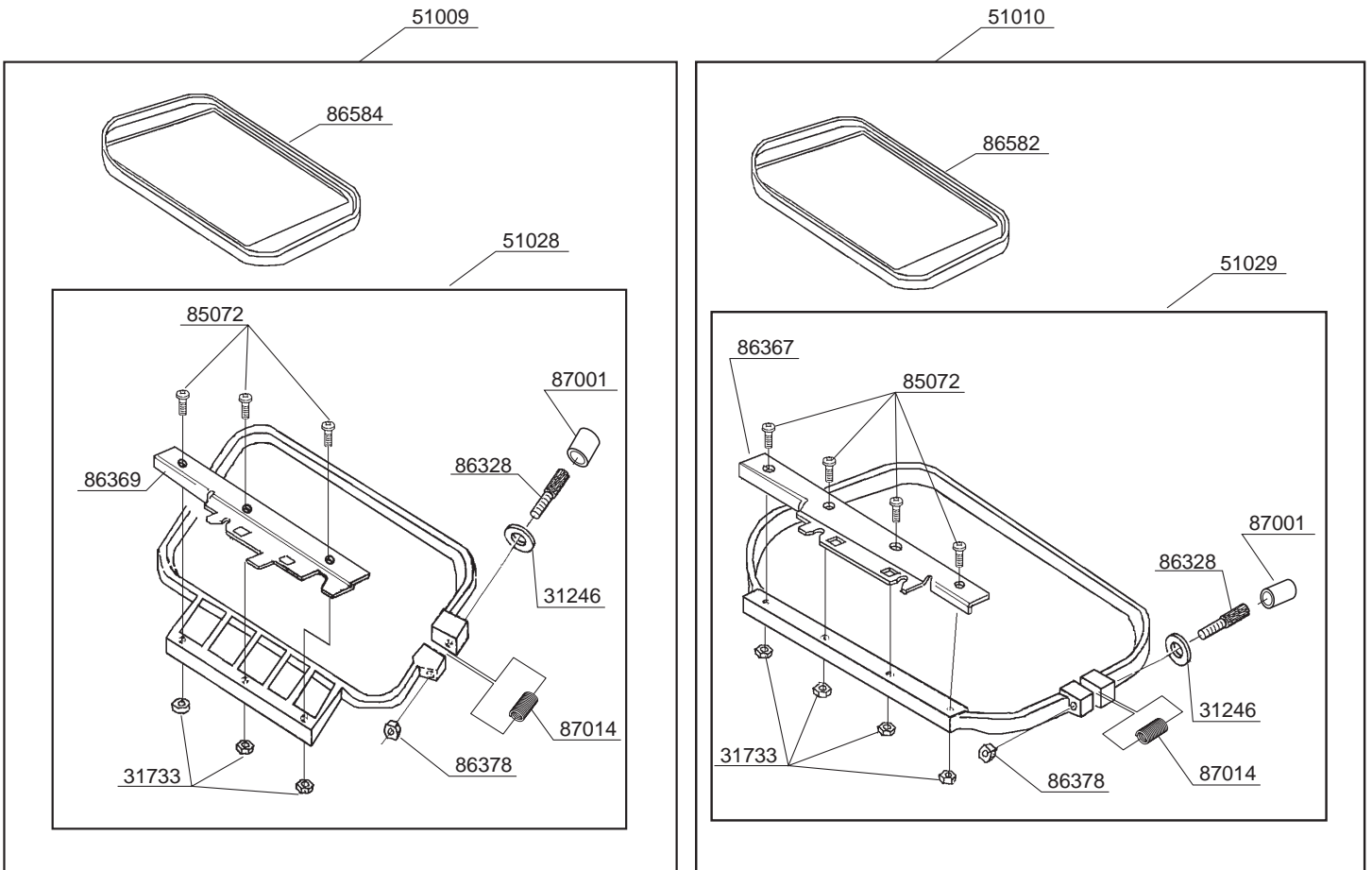


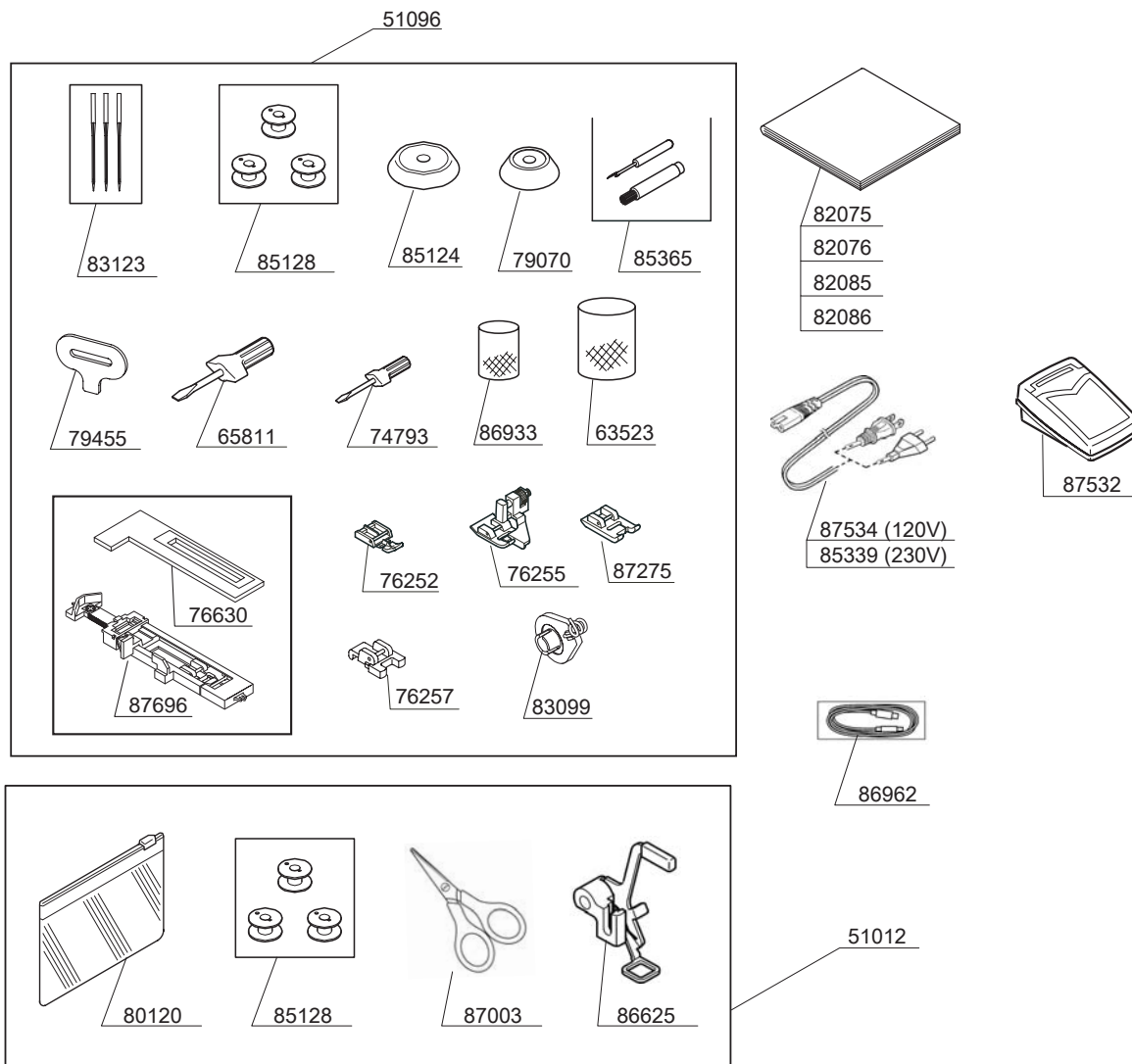


V



Y





| PART NO. | DESCRIPTION |
|----------|---|
| 51012 | ACCESSORY SET |
| 51096 | ACCESSORY SET |
| 63523 | THREAD SPOOL NET (LONG) |
| 65811 | LARGE SCREW DRIVER |
| 74793 | SMALL SCREW DRIVER |
| 76252 | ZIPPER FOOT |
| 76255 | BLIND STITCH FOOT |
| 76257 | BUTTON SEWING FOOT |
| 76630 | BUTTONHOLE PLATE |
| 79070 | SPOOL PIN CAP |
| 79455 | LARGE SCREW DRIVER |
| 80120 | ACCESSORY VINYL BAG |
| 82075 | INSTRUCTION BOOK (E/F/S) (for model CE-250,350) |
| 82076 | INSTRUCTION BOOK (E/F/S) (for model CE-150) |
| 82085 | INSTRUCTION BOOK (I/D/G) (for model CE-150) |
| 82086 | INSTRUCTION BOOK (I/D/G) (for model CE-250,350) |
| 83099 | REMOVABLE THREAD GUIDE |
| 83123 | NEEDLE |
| 85124 | SPOOL PIN CAP |
| 85128 | BOBBIN |
| 85339 | POWER CORD (230V) |
| 85365 | BUTTONHOLE OPENER / BRUSH |
| 86625 | EMBROIDERY PRESSER FOOT |
| 86933 | THREAD SPOOL NET (SHORT) |
| 86962 | USB CABLE |
| 87003 | SCISSORS |
| 87275 | SATIN FOOT |
| 87532 | FOOT CONTROL |
| 87534 | POWER CORD (120V) |
| 87696 | BUTTONHOLE FOOT |

| PART NO. | DESCRIPTION | PAGE | PART NO. | DESCRIPTION | PAGE |
|----------|-------------------------|---------------|----------|----------------------|-----------|
| 1424 | WASHER | M | 63805 | WASHER | J,K |
| 1504 | E7 CLIP-ON-WASHER | G,D,J,K,N,T,U | 64051 | M4 SCREW | E |
| 1520 | E3 CLIP-ON-WASHER | C,D,E,K,M,U | 64203 | TAPPING SCREW | A |
| 1520 | E3 CLIP-ON-WASHER | U | 64360 | TOOTHED WASHER | N,R |
| 8400 | E5 CLIP-ON-WASHER | F,J,M,S,T,U, | 64484 | TAPPING SCREW | R |
| 8466 | WASHER | M | 64629 | CORD GUIDE | O,P,S |
| 9098 | WASHER | K | 64653 | M3 SCREW | D,H,K |
| 10963 | E6 CLIP-ON-WASHER | B,C | 64686 | M4 HEX SCREW | J |
| 25670 | WASHER | O,P,U | 65818 | M4 BOLT | D,M |
| 26934 | #8 SCREW | D | 65826 | M3 SCREW | O,P,R |
| 31246 | WASHER | Y | 66052 | M4 SCREW | D |
| 31733 | M3 NUT | Y | 66124 | RUBBER FOOT | A |
| 32316 | WASHER | U | 66235 | SECURING PLATE | B,G,H |
| 32949 | WASHER | H,J,U | 66318 | M3 SCREW | U |
| 35765 | WASHER | T | 66352 | M4 PHILLIPS SCREW | R |
| 35818 | WASHER | M | 66437 | BUSH | B |
| 35942 | WASHER | C | 66474 | M5 SCREW | G |
| 37515 | WASHER | H,U | 66481 | M4 STUD SCREW | H |
| 39163 | TAPPING SCREW | M | 66725 | M4 SCREW | B,D,G,H |
| 39213 | M3 SCREW | N,O,P,S | 66727 | M4 SCREW | B,E |
| 39542 | CLIP-ON-WASHER | C | 66787 | WASHER | B |
| 39816 | M4 SQUARE NUT | O,P,R | 66798 | M4 SCREW | T,U |
| 39817 | M4 PHILLIPS SCREW | H,T | 67394 | M5 PHILLIPS SCREW | N |
| 42359 | CRINKLE WASHER | C | 67444 | COLLAR | G,H |
| 43389 | THRUST WASHER | B | 67447 | M5 SCREW | B,G |
| 43390 | THRUST WASHER | G,H, | 67533 | RUBBER CUSHION | A |
| 43392 | THRUST WASHER | D,G,M | 68152 | BALL BUSH | B |
| 43393 | WASHER | D | 68332 | EXTENSION SPRING | C |
| 43858 | WASHER | H | 68891 | WASHER | B |
| 43930 | SPRING PIN | B | 68922 | M4 SCREW | J |
| 44261 | M4 SCREW | V | 72791 | M4 SCREW | H |
| 44267 | SPRING WASHER | U | 72826 | EXTENSION SPRING | H |
| 44498 | M3 NUT | K,R | 72858 | WASHER | C,T |
| 47181 | TAPPING SCREW | S | 73299 | M4 TORQUE NUT | A,H |
| 51009 | SMALL HOOP | Y | 73371 | M6 SCREW | B |
| 51010 | LARGE HOOP | Y | 73434 | M4 PHILLIPS SCREW | B,D,G,H |
| 51012 | ACCESSORY SET | Z | 73471 | FEED REGULATING CAM | B |
| 51028 | OUTER FRAME (S) SET | Y | 73472 | COLLAR | B |
| 51029 | OUTER FRAME (L) SET | Y | 73900 | M3 SCREW | C,D,E,L,M |
| 51045 | BOBBIN CASE SET | G | 73926 | SPACER | S |
| 51058 | RETAINER SET | G | 74795 | TAPPING SCREW | N |
| 51092 | X-UNIT ASSY | T | 75047 | CLUTCH | B |
| 51093 | Y-UNIT ASSY | U | 75060 | TAKE-UP LEVER CRANK | B |
| 51094 | THREAD GUIDE PLATE UNIT | F | 75130 | RATCHET A | C |
| 51095 | BOTTOM COVER SET | N | 75131 | RATCHET B | C |
| 51096 | ACCESSORY SET | Z | 75163 | M4 STUD SCREW | C |
| 53403 | WASHER | B | 75183 | M4 STUD SCREW | C |
| 53740 | SPRING WASHER | U | 75194 | TORSION SPRING | B |
| 56858 | M2 PHILLIPS SCREW | E | 75196 | TORSION SPRING | C |
| 57746 | TAPPING SCREW | R | 75207 | CS-CLIP | B |
| 58220 | WASHER | C | 75226 | SQUARE NUT | C |
| 58220 | WASHER | J,S | 76025 | FEED DOG BASE | H |
| 58741 | CORD GUARD | C,E,L | 76027 | SHUTTLE RACE BASE | G |
| 60162 | KNOCK PIN | G | 76104 | FEED DOGS | H |
| 60594 | RUBBER FOOT | S | 76114 | COVER GUIDE (R) | E |
| 61221 | M4 PHILLIPS SCREW | E,J,K,L,T,V, | 76122 | FEED BASE ADJUSTMENT | H |
| 61222 | M4 PHILLIPS SCREW | D,E,N,O,PT | 76125 | SPRING HOOK PLATE | H |
| 61224 | M4 PHILLIPS SCREW | B,C,L,M,N,R, | 76134 | SCREW | G |
| 61225 | M4 PHILLIPS SCREW | N | 76136 | BELT METAL | G |
| 61227 | E6 PHILLIPS SCREW | A | 76137 | SHUTTLE RACE SHAFT | G |
| 61341 | M4 SCREW | A | 76141 | BALL BUSHING | G,H |
| 61381 | CRINKLE WASHER | H | 76158 | RELEASE LEVER | E |
| 61592 | WASHER | U | 76159 | COMPRESSION LEVER | E |
| 61770 | BALL BUSHING | G,H | 76203 | OILING CORD | G |
| 62215 | M4 NUT | J | 76205 | TORSION SPRING | G |
| 63278 | PRESSER BAR | E | 76252 | ZIPPER FOOT | Z |
| 63524 | M3 BOLT | K | 76317 | M3 PHILLIPS SCREW | C |
| 63560 | M4 PHILLIPS SCREW | M | 76317 | M3 PHILLIPS SCREW | G,J,T,U |
| 63796 | M3 SCREW | J,K | 76324 | M4 SCREW | H |

| PART NO. | DESCRIPTION | PAGE | PART NO. | DESCRIPTION | PAGE |
|----------|------------------------|-----------------------|----------|-----------------------------|------|
| 76511 | SEAL | O,P | 83097 | FACE COVER | N |
| 76547 | THREAD CONTROL PLATE | E | 83102 | LEG COVER (CE-150) | A |
| 76630 | BUTTONHOLE PLATE | Z | 83103 | LEG COVER (CE-250) | A |
| 77035 | M4 PHILLIPS SCREW | B,H | 83104 | LEG COVER (CE-350) | A |
| 77041 | UNIT Y FASTENER | C,E,J,L,M, | 83105 | BOTTOM COVER (CE-150) | A |
| 77042 | M4 PHILLIPS SCREW | A,C,D,E,F,H,K,L,M,S,T | 83106 | BOTTOM COVER (CE-250) | A |
| 77043 | FELT | D,E | 83107 | BOTTOM COVER (CE-350) | A |
| 77044 | M3 PHILLIPS SCREW | C,D,O,P | 83109 | CONTROL PANEL (CE-250) | P |
| 77057 | M3 SCREW | E | 83111 | CONTROL PANEL (CE-350) | P |
| 77527 | SENSOR COVER | J,K | 83115 | ACCESSORY BOX SET | A |
| 79491 | SET SCREW | E | 83116 | CAP | N,R |
| 80050 | TUBE | A | 83117 | PANEL | O |
| 80052 | UNITY FASTENER | M | 83118 | PANEL (for model CE-250) | P |
| 80065 | #7 SCREW FOR SHANK | E | 83119 | PANEL (for model CE-350) | P |
| 80070 | COLLAR | A | 83120 | SPOOL PIN HOLDER (B) | R |
| 80098 | M3 SCREW | T | 83121 | DROP KNOB | N |
| 83002 | X BASE | T | 83122 | NEEDLE | D |
| 83003 | Y BASE | U | 83124 | THREAD PLATE | C |
| 83005 | Y MOVING PLATE | U | 83125 | THREAD REGULATE PLATE | C |
| 83006 | Y SENSOR PLATE | U | 83127 | SEAL | N |
| 83007 | LEAF SPRING | U | 83128 | BACK COVER | R |
| 83008 | INSULATION SHEET | U | 83129 | REFERENCE SEET | A |
| 83010 | φ6 SHAFT | U | 83130 | THREAD GUIDE POLE | R |
| 83011 | COVER | V | 83132 | NEEDLE CLAMP SET | D |
| 83012 | CORD GUIDE (D) | U | 84001 | CIRCUIT BOARD | S |
| 83013 | SPACER | U | 84002 | PC BOARD (for model CE-350) | P |
| 83014 | HOOP SWITCH | U | 84003 | CIRCUIT BOARD | O |
| 83015 | BELT HOLDER (Y) | U | 84004 | SWITCH HARNESS | M |
| 83016 | GEAR (Y) | U | 84006 | STEP MOTOR | J |
| 83017 | T PULLEY & GEAR (X) | T | 84007 | STEP MOTOR | K |
| 83018 | SPRING | U | 84008 | STEP MOTOR | T |
| 83019 | T PULLEY BASE (Y) | U | 84009 | STEP MOTOR | T |
| 83021 | CARRIAGE | V | 84011 | HARNESS | U |
| 83024 | TOP COVER | V | 84015 | TRANSFORMER (120V) | L |
| 83025 | MOTOR BRACKET | K | 84018 | MAIN SHAFT SENSOR HARNESS | C |
| 83026 | Z-Z CONNECTING ROD | K | 84019 | THREAD SENSOR | C |
| 83027 | ZIGZAG DRIVE GEAR | K | 84021 | SENSOR UNIT | K |
| 83028 | ZZ LIMITING PLATE | K | 84022 | HARNESS FOR PULS MOTOR | J |
| 83029 | SENSOR SUP. LEVER | K | 84023 | F.C.JACK HARNESS | L |
| 83031 | FEED SENSOR BRACK | J | 84024 | CONNECTING HARNESS | L |
| 83032 | PINION GEAR | J | 84026 | SWITCH HARNESS | O,P |
| 83033 | HEADED PIN | J | 84029 | MINI SWITCH | E |
| 83034 | SWITCH BRACKET | M | 84030 | USB HARNESS | L |
| 83035 | P-BAR MOUNTING PLATE | E | 84032 | HARNESS | S |
| 83036 | BRACKET A | L | 84034 | HARNESS | T |
| 83037 | BRACKET B | L | 84039 | BH LEVER SWITCH | E |
| 83039 | LED COVER | O,P | 84040 | SWITCH HARNESS (120V) | L |
| 83041 | CONNECTOR CAP | O,P | 84042 | PC BOARD (CE-250) | P |
| 83044 | LED PANEL | O,P | 84043 | TRANSFORMER (230V) | L |
| 83046 | PATTERN SWITCH | P | 84060 | MAIN CIRCUIT BOARD | M |
| 83050 | HAND WHEEL | B | 85002 | PRESSER BAR LIFTER | F |
| 83052 | BUTTON | O | 85003 | BELT PULLEY | B |
| 83053 | LED PANEL | O | 85005 | NEEDLE BAR SUPPORT | D |
| 83054 | CONTROL PANEL | O | 85009 | SLIDE BLOCK | J |
| 83055 | HANDLE | N | 85013 | POSITIONING COLLAR | B |
| 83057 | FEED CONTROL REGULATOR | J | 85014 | FULCRUM BLOCK | D |
| 83058 | SECURING PLATE | J | 85015 | ZIGZAG PRESSER FOOT | E |
| 83059 | ROOF COVER | N | 85016 | PRESSER FOOT HOLDER | E |
| 83061 | TENSION SENSOR COVER | C | 85017 | BLANCER | B |
| 83063 | LEG | A | 85041 | NEEDLE BAR | D |
| 83064 | BOBBIN WINDER LATCH | N | 85043 | HEADED PIN | D |
| 83065 | BOTTOM COVER | N | 85045 | PIN | D |
| 83072 | SPOOL PIN HOLDER (A) | R | 85046 | COLLAR | B |
| 83077 | REFERENCE SEET | A | 85049 | STUD SCREW | K |
| 83081 | MOUNTING BRACKET | J | 85050 | ECCENTRIC | D |
| 83082 | LED LIGHT HOLDER | E | 85052 | PIN W / HEAD | H |
| 83083 | LED LIGHT PLATE (B1) | E | 85054 | CONNECTING WIRE | F |
| 83084 | LED LIGHT PLATE (B2) | E | 85055 | EXTENSION SPRING | J |
| 83089 | SECURING PLATE | K | 85058 | COLLAR | D |

| PART NO. | DESCRIPTION | PAGE | PART NO. | DESCRIPTION | PAGE |
|----------|-----------------------|-----------|----------|-----------------------|------|
| 85059 | EXTENSION SPRING | D | 86007 | SHAFT | B |
| 85060 | COMPRESSION SPRING | D | 86008 | TAKE-UP LEVER | B |
| 85061 | SPRING PIN | D | 86030 | MAIN SHAFT | B |
| 85062 | THREADER SHAFT SET | D | 86032 | HORIZONTAL FEED SHAFT | H |
| 85064 | EXTENSION SPRING | E | 86033 | SHAFT | N |
| 85065 | COMPRESSION SPRING | E | 86034 | M4 SCREW | J |
| 85066 | EXTENSION SPRING | J | 86035 | SHAFT | N |
| 85068 | CAP-BOLT | J | 86038 | STUD SCREW | A |
| 85071 | SHAFT#8 | C | 86042 | INSULATION SHEET | O,P |
| 85072 | M3 SCREW | J | 86046 | THREAD GUIDE | D |
| 85072 | M3 SCREW | T,Y | 86047 | CLIP | N |
| 85074 | M3 SCREW | M | 86080 | SHUTTLE RACE | G |
| 85075 | SPRING PIN | D | 86123 | SPOOL PIN (A) | R |
| 85076 | TORSION SPRING | J | 86127 | HANDLE GUIDE | N |
| 85081 | SCREW | R | 86130 | SENSOR CAM | B |
| 85102 | PROTECTION SHEET | C | 86132 | BOBBIN CASE | G |
| 85103 | BELT PULLEY | B | 86133 | FEED LIFTING CAM | G |
| 85126 | IDLER PULLEY | M | 86136 | BRUSH | G |
| 85128 | BOBBIN | G,Z | 86137 | BRUSH | N |
| 85129 | BEVEL GEAR | G | 86139 | DROP KNOB PLATE | N |
| 85130 | MOTOR PULLEY | M | 86140 | SENSOR WHEEL | C |
| 85132 | ENCODER | M | 86141 | BUTTON (A) | O,P |
| 85135 | END CAP | C | 86142 | BUTTON (B) | O,P |
| 85137 | FEED CONTROL GEAR | J | 86149 | JACK COVER | L |
| 85138 | TENSION ROLLER | B | 86151 | SWITCH COVER | L |
| 85152 | LEVER | D | 86165 | INSULATION BOX | A |
| 85158 | COLLAR | D | 86166 | C.B. CONTAINER | M |
| 85162 | WASHER | J | 86179 | THREAD GUIDE PLATE | D |
| 85174 | COVER | C | 86182 | THREAD SENSOR 2 | F |
| 85178 | WASHER | B | 86184 | BUSH | J |
| 85180 | PLATE | J | 86194 | SECURING PLATE | L |
| 85182 | CONTROL PLATE | E | 86195 | RELEASE LEVER | F |
| 85184 | LEAF SPRING | B | 86196 | MOTOR BRACKET | J |
| 85188 | IDLER PULLEY BRACKET | M | 86201 | MOTOR BRACKET | M |
| 85189 | TENSION ROLLER PLATE | B | 86204 | STOPPER | M |
| 85191 | FEED CONTROL ROD | J | 86212 | ENCODER FIXING PLATE | C |
| 85192 | FEED-DOG BASE BRACKET | H | 86216 | COVER MOUNTING PLATE | D |
| 85206 | SUPPORT | D | 86217 | SWITCH BRACKET | L |
| 85208 | PLATE | D | 86218 | BOARD BRACKET | M |
| 85209 | SUPPORT PLATE | D | 86228 | COVER GUIDE (L) | E |
| 85217 | RETAINER | B | 86236 | BASE PLATE | C |
| 85221 | ABUTMENT LEVER | C | 86239 | BOBBIN CASE STOPPER | G |
| 85226 | PLATE WITH PIN | F | 86247 | LIMITING PLATE | N |
| 85227 | PRESSER BAR BLOCK | E | 86249 | HANDLE BASE COVER | N |
| 85228 | PLATE WITH PIN | F | 86250 | HANDLE BRACKET | N |
| 85235 | STOPPER | D | 86251 | SLIDE LINK (LEFT) | N |
| 85239 | SECURING PLATE | G | 86252 | SLIDE LINK (RIGHT) | N |
| 85245 | LEFT SPRING | D | 86262 | HARNESS (A) | M |
| 85247 | SECURING PLATE | H | 86270 | CONNECTOR | M |
| 85251 | WASHER | G | 86279 | BELT (S) | M |
| 85253 | WASHER | B | 86303 | CONNECTOR | S |
| 85254 | PLATE | J | 86308 | FLAT CABLE | U |
| 85257 | RUBBER STOPPER | M | 86312 | HOOP SWITCH UNIT | U |
| 85259 | RUBBER CUSHION | M | 86316 | CABLE GUIDE | U |
| 85262 | M2 SCREW | E | 86317 | SUPPORTING PLATE | S |
| 85263 | M3 PHILLIPS SCREW | C,D,K,M,U | 86320 | BEARING SUPPORT | T |
| 85268 | SENSOR BRACKET | C | 86321 | COLLAR | T |
| 85270 | COIL SPRING | C | 86323 | SHAFT | T |
| 85274 | M2 SCREW | C,M | 86324 | SHAFT | U |
| 85302 | MOTOR | M | 86328 | HOOP ADJUSTING SCREW | Y |
| 85318 | FERRITE RING | M | 86329 | TORSION SPRING | S |
| 85332 | SPACER | E | 86335 | PROTECTION PLATE (Y) | U |
| 85333 | SWITCH HARNESS (230V) | L | 86346 | BOARD COVER | S |
| 85355 | SENSOR HARNESS | C | 86347 | T PULLEY | U |
| 85358 | COVER | C | 86349 | GUIDE ROLLER | T |
| 85400 | BELT (L) | M | 86350 | BELT HOLDER | T |
| 85403 | TIMING BELT | B | 86353 | T PULLEY & GEAR (Y) | U |
| 86004 | FEED REGULATING ARM | H | 86357 | X MOVING PLATE | T |
| 86006 | CRANK SHAFT | B | 86359 | T PULLEY BASE (X) | T |

| PART NO. | DESCRIPTION | PAGE | PART NO. | DESCRIPTION | PAGE |
|----------|------------------------|------|----------|-------------|------|
| 86360 | GUIDE ROLLER BASE | T | | | |
| 86362 | X SENSOR PLATE | T | | | |
| 86363 | SENSOR FIXING PLATE | T | | | |
| 86366 | INSULATION SHEET | U | | | |
| 86367 | HOOP MOUNTING PLATE | Y | | | |
| 86368 | Y BASE SUPPORT PLATE | U | | | |
| 86369 | HOOP MOUNTING PLATE | Y | | | |
| 86370 | CORD GUIDE (A) | T | | | |
| 86371 | CORD GUIDE (B) | U | | | |
| 86372 | CORD GUIDE (C) | U | | | |
| 86376 | M3 SCREW | T,U | | | |
| 86377 | HOOP SECURING SCREW | U | | | |
| 86378 | M3 NUT | Y | | | |
| 86379 | WASHER | U | | | |
| 86380 | TIMING BELT (X) | T | | | |
| 86381 | TIMING BELT (Y) | U | | | |
| 86384 | PROTECTION PLATE | T | | | |
| 86582 | INNER FRAME (L) | Y | | | |
| 86584 | INNER FRAME (S) | Y | | | |
| 86899 | LOWER SHAFT | G | | | |
| 86902 | INDICATOR WINDOW | P | | | |
| 86907 | CIRCUIT BOARD HOLDER | O,P | | | |
| 86910 | PATTERN DRAWER | A | | | |
| 86913 | SPOOL PIN (B) | R | | | |
| 86923 | CONNECTOR BRACKET | M | | | |
| 86926 | SECURING PLATE | C | | | |
| 86927 | SECURING PLATE | C | | | |
| 86928 | BOBBIN WINDER COMPLETE | C | | | |
| 86929 | BOBBIN WINDER BASE | C | | | |
| 86930 | BOBBIN WINDER SHAFT | C | | | |
| 86934 | USB INSULATION COVER | L | | | |
| 86945 | JUMPER HARNESS | O,P | | | |
| 86990 | SECURING PLATE | A | | | |
| 86996 | NEEDLE PLATE | E | | | |
| 86999 | SPRING | C | | | |
| 87000 | M4 SCREW | U | | | |
| 87001 | VINYL TUBE | Y | | | |
| 87002 | VINYL TUBE | U | | | |
| 87004 | RELEASE LEVER | S | | | |
| 87007 | THREAD GUIDE | C | | | |
| 87008 | WIRE SPRING | D | | | |
| 87010 | THREADER ASSEMBLY | D | | | |
| 87014 | SPRING | Y | | | |
| 87027 | CORD BRACKET(A) | L | | | |
| 87033 | CORD BRACKET B | L | | | |
| 87067 | LED LIGHT HOLDER | E | | | |
| 87068 | SUPPORT PLATE | D | | | |
| 87183 | SPRING | K | | | |
| 87256 | M3 SCREW | K | | | |
| 87273 | RING | J | | | |
| 87273 | RING | K | | | |
| 87288 | PULLEY CAP | B | | | |
| 87293 | SLIDE LEVER | O,P | | | |
| 87344 | BLADE | N | | | |
| 87345 | BLADE FIXTURE | N | | | |
| 87404 | KNOB | O,P | | | |
| 87456 | SHUTTLE RACE COVER | E | | | |
| 87477 | BUTTON | P | | | |
| 87605 | LED LIGHT | E | | | |
| 87677 | BH PLATE (A) | E | | | |
| 87679 | BH PLATE (B) | E | | | |
| 87680 | BH PLATE (C) | E | | | |
| 87692 | BH CANTILEVER | E | | | |
| 87693 | BH PALTE | E | | | |
| 87694 | LEAF SPRING | E | | | |
| 87695 | BH CANTILEVER SUPPORT | E | | | |
| 87703 | NEEDLE BAR CLAMP SET | D | | | |
| 88112 | INSULATION SHEET | E | | | |