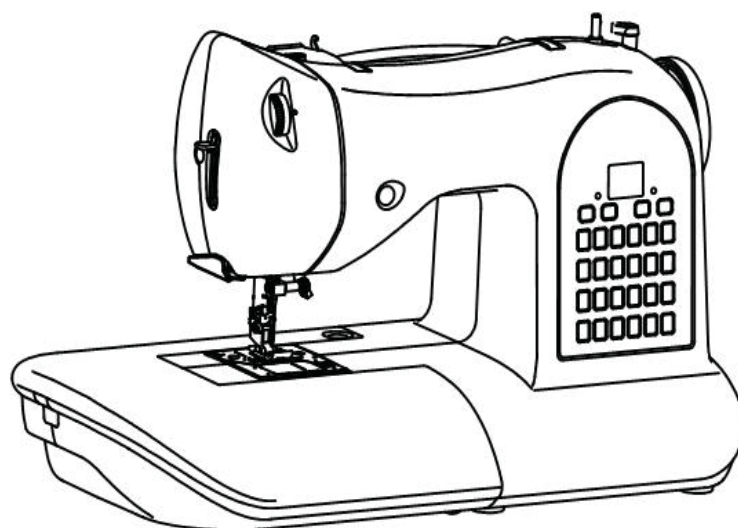


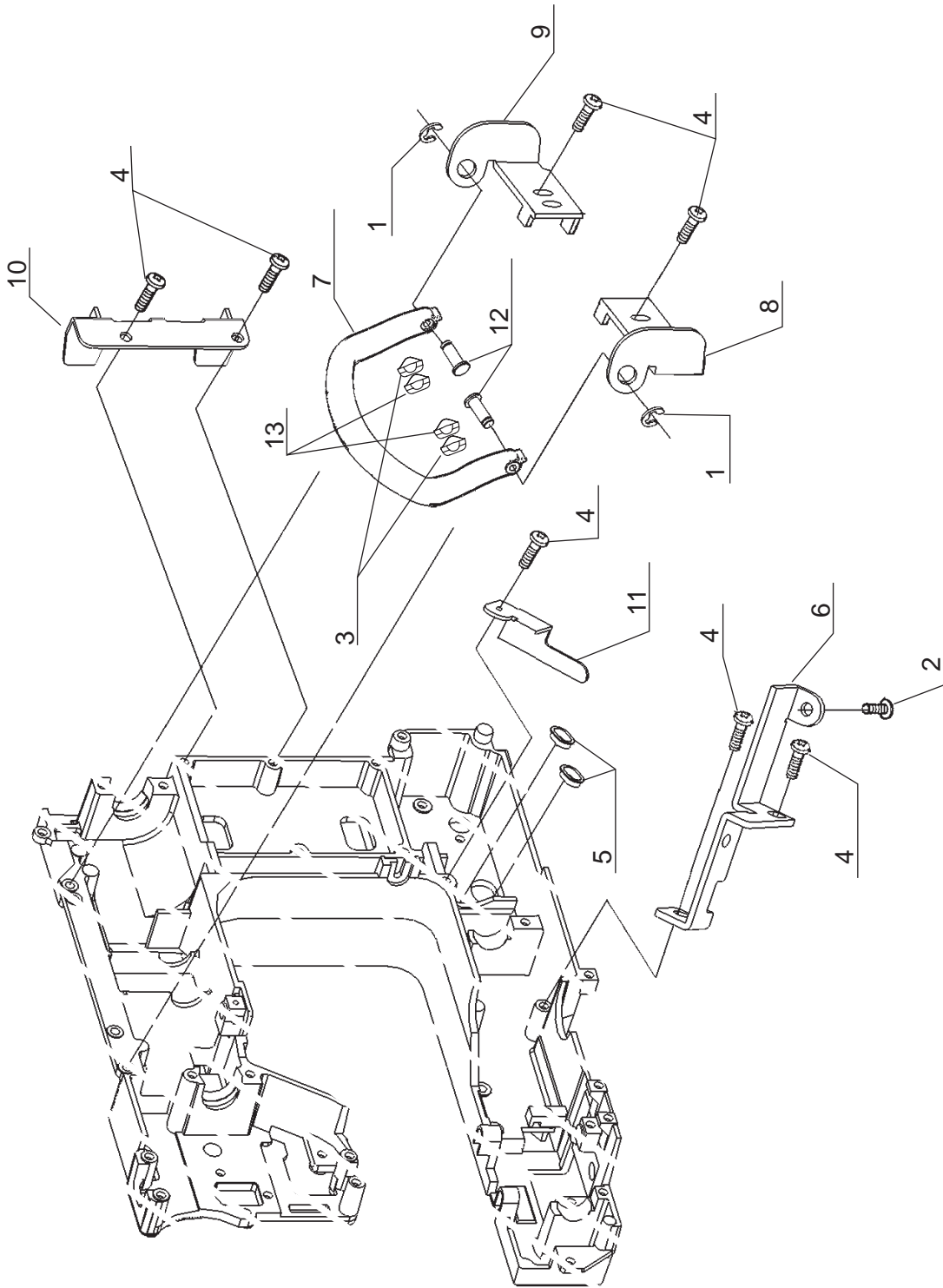


**SINGER®**

## 160th Anniversary

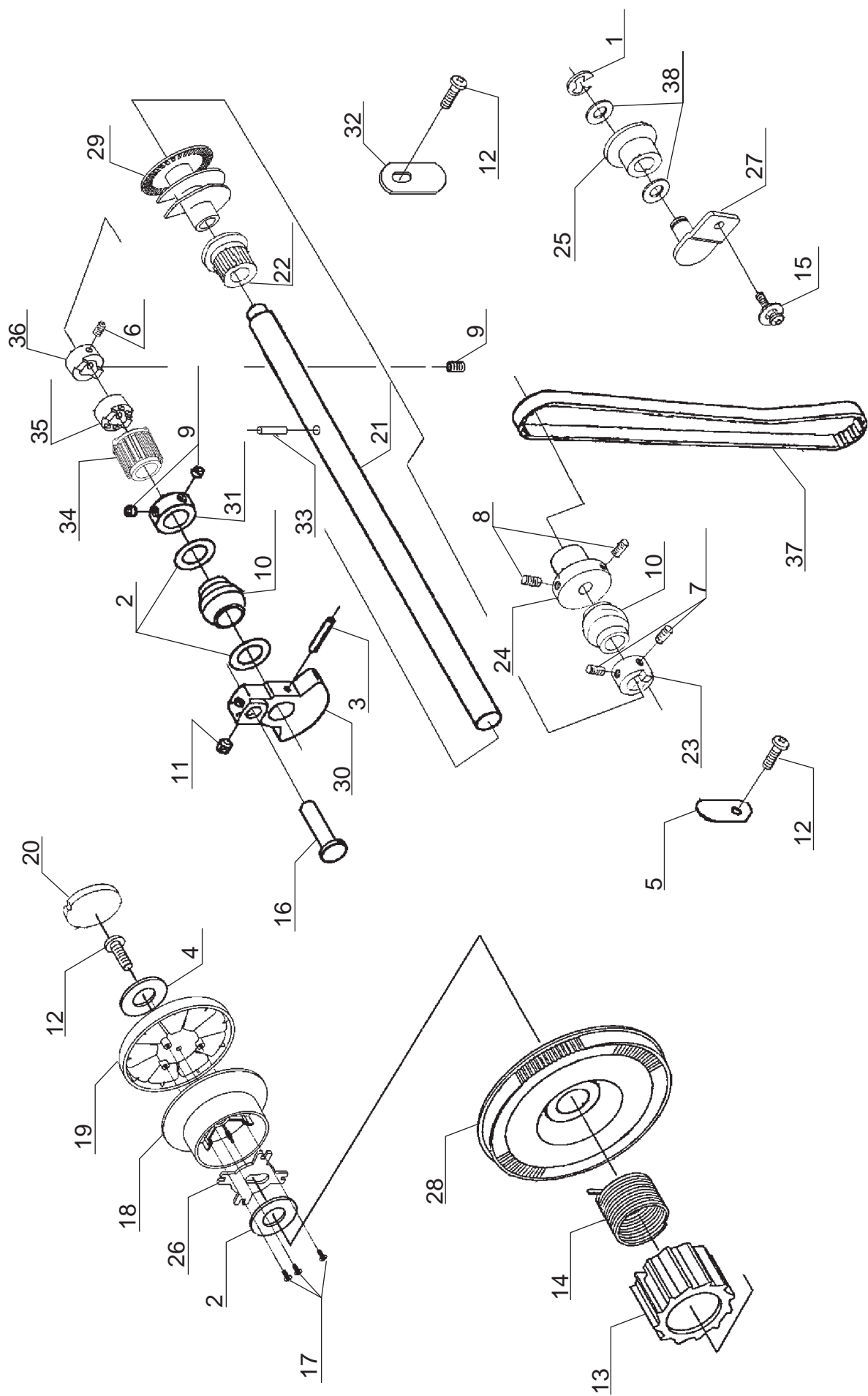


### Liste de pièces Lista de Piezas Parts List



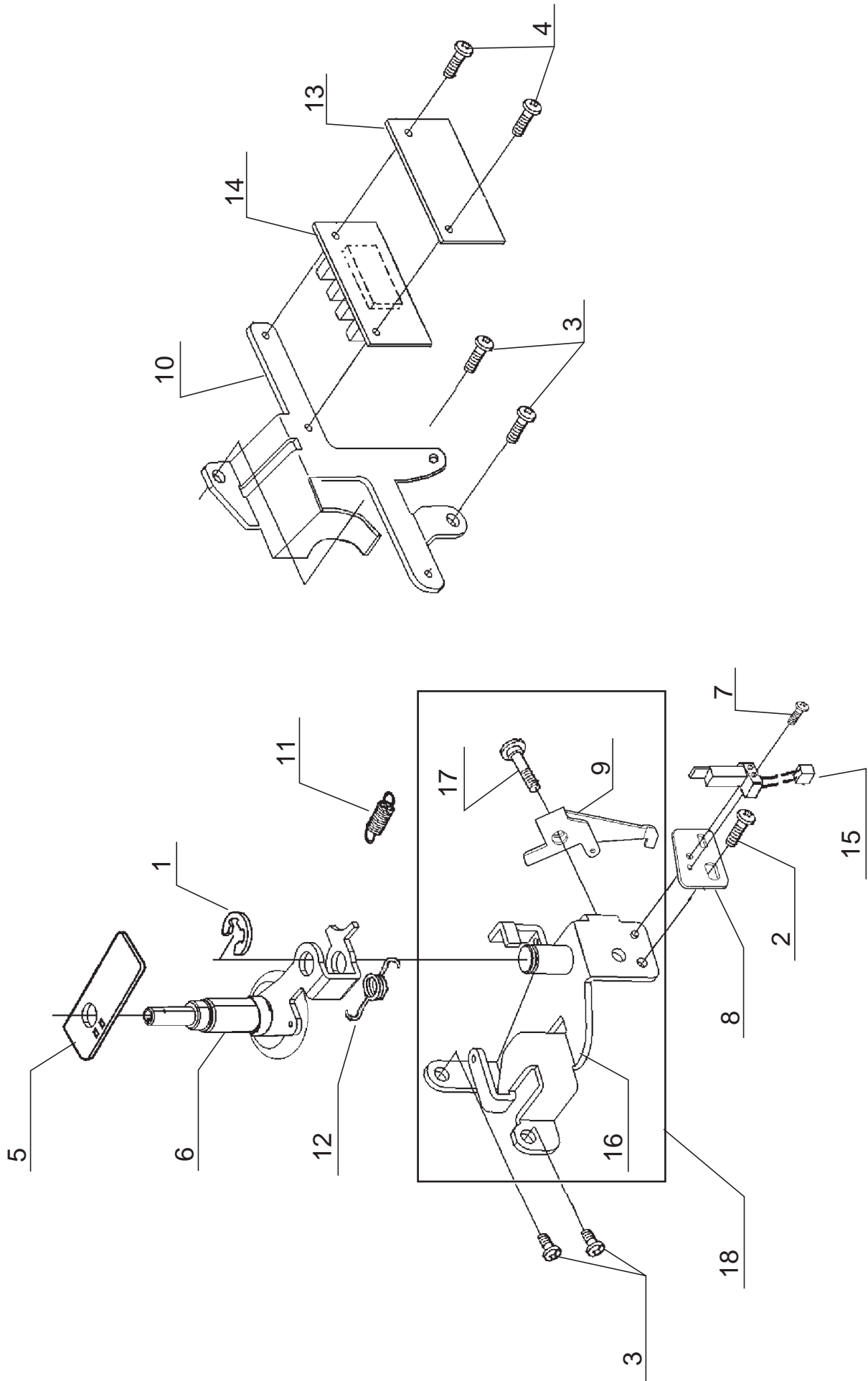
---

Pos	Part No	Description
1	270 001513	E4 CLIP-ON-WASHER
2	270 061224	M4 PHILIPS SCREW
3	270 061381	CRINKLE WASHER
4	270 077042	M4 PHILLIPS SCREW
5	270 080070	CORD GUIDE
6	416502001	BRACKET
7	416502101	HANDLE
8	416502201	HANDLE BRACKET ( L )
9	416502301	HANDLE BRACKET ( R )
10	416502401	BRACKET
11	270 087156	BRACKET
12	270 087216	PIN
13	270 032949	WASHER



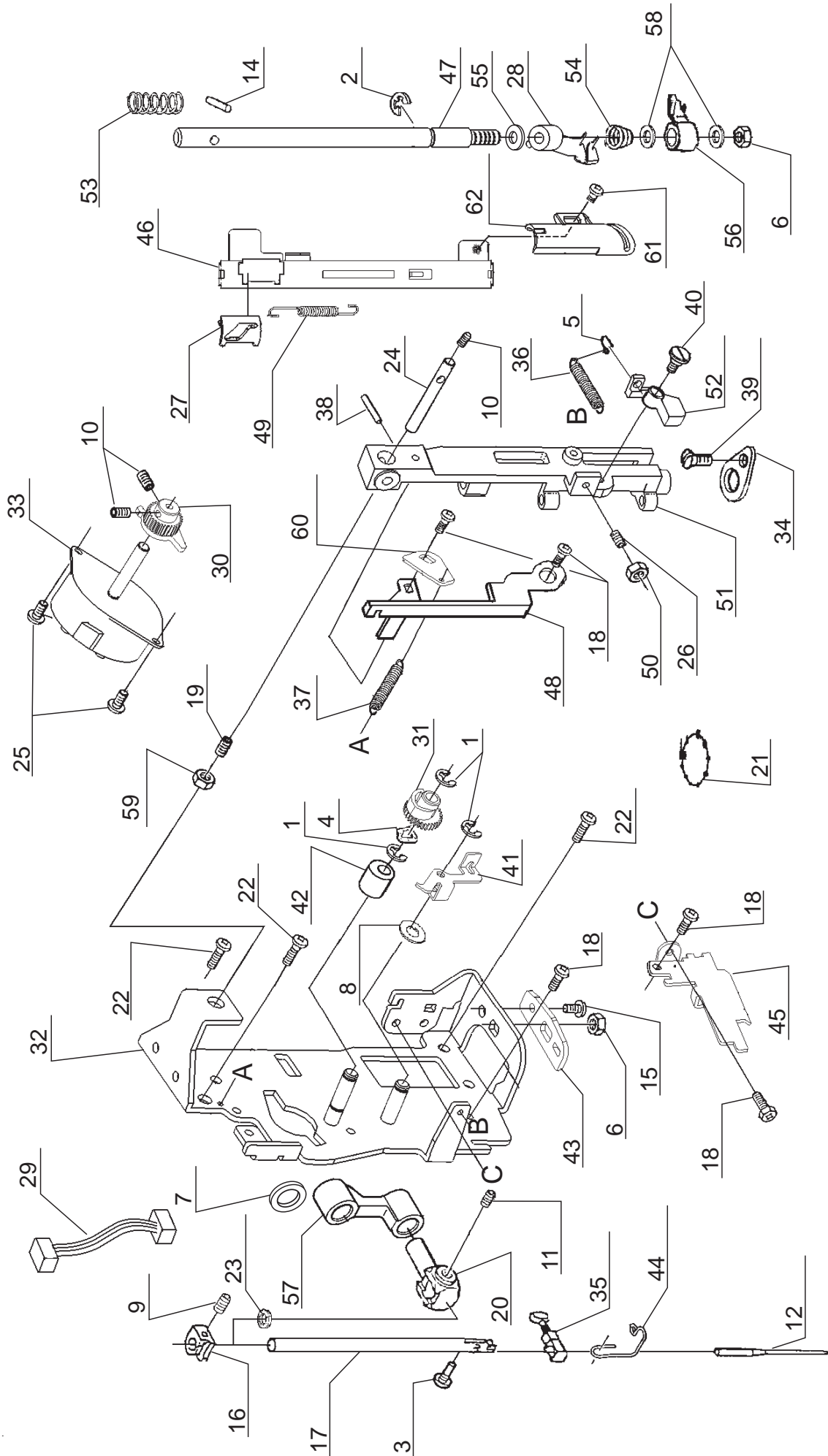
---

Pos	Part No	Description
1	270 010963	E6 CLIP-ON-WASHER
2	270 043389	THRUST WASHER
3	270 043930	SPRING PIN
4	270 053403	WASHER
5	270 066235	SECURING PLATE
6	270 066474	M5 SCREW
7	270 066725	M4 SCREW
8	270 066727	M4 SCREW
9	270 067447	M5 SCREW
10	270 068152	BALL BUSH
11	270 073371	M6 SCREW
12	270 073434	M4 PHILIPS SCREW
13	270 075047	CLUTCH
14	270 075194	TORSION SPRING
15	270 075274	M4 PHILIPS SCREW
16	416502501	HEADED PIN
17	416435101	TAPPING SCREW
18	416502601	PULLEY
19	416502701	PULLEY RING
20	416502801	PULLEY CAP
21	416502901	MAIN SHAFT
22	416503001	UPPER TIMING BELT GEAR
23	270 085013	POSITIONING COLLAR
24	270 085046	COLLAR
25	270 085138	TENSION ROLLER
26	270 085217	RETAINER
27	270 087125	IDLER PULLEY BRACKET
28	270 087220	BELT PULLEY
29	416502901	ENCODER
30	416502901	BALANCER
31	416502901	COLLAR
32	416502901	SECURING PLATE
33	416433401	SPRING PIN
34	416502901	MAIN SHAFT SCREW GEAR
35	416502901	COUPLING
36	416502901	MAIN SHAFT SCREW GEAR FIXING RING
37	416433601	TIMING BELT
38	270 077056	WASHER



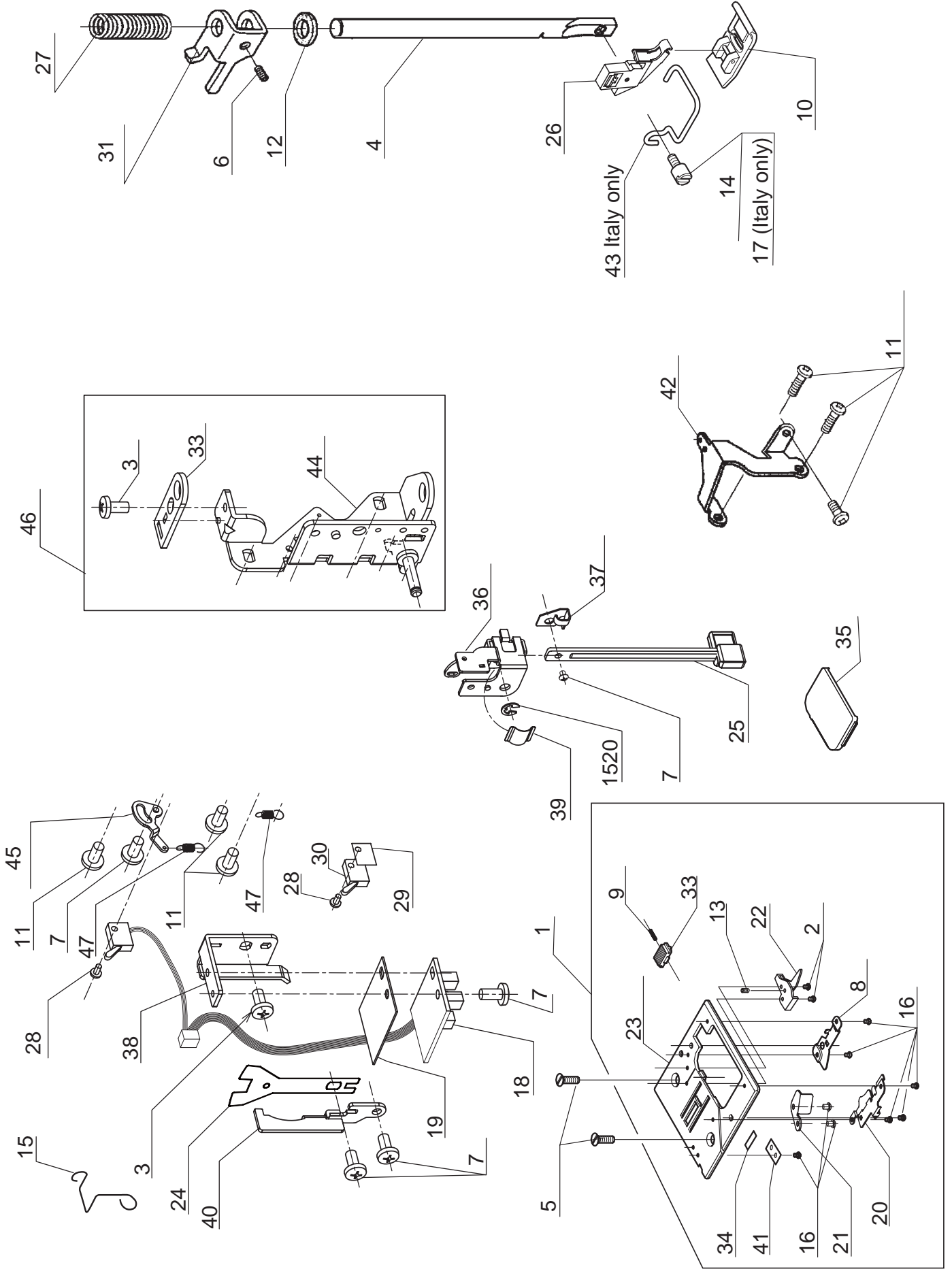
---

<u>Pos</u>	<u>Part No</u>	<u>Description</u>
1	270 010963	E6 CLIP-ON-WASHER
2	270 073900	M3 PHILIPS SCREW
3	270 077042	M4 PHILLIPS SCREW
4	270 077053	M3 PHILIPS SCREW
5	416503101	PLATE
6	416503201	BOBBIN WINDER UNIT
7	270 085274	M2 SCREW
8	270 087128	MOUNTING BRACKET
9	270 087129	RETAINER
10	270 087139	MOUNTING BRACKET
11	270 087180	EXTENSION SPRING
12	270 087182	TORSION SPRING
13	270 087242	INSULATION SHEET
14	270 087527	PHOTO SENSOR CIRCUIT BOARD
15	270 087584	SWITCH HARNESS
16	270 087739	BOBBIN WINDER BRACKET
17	416503301	M3 SHOULDER SCREW
18	270 087750	BOBBIN WINDER BRACKET UNIT

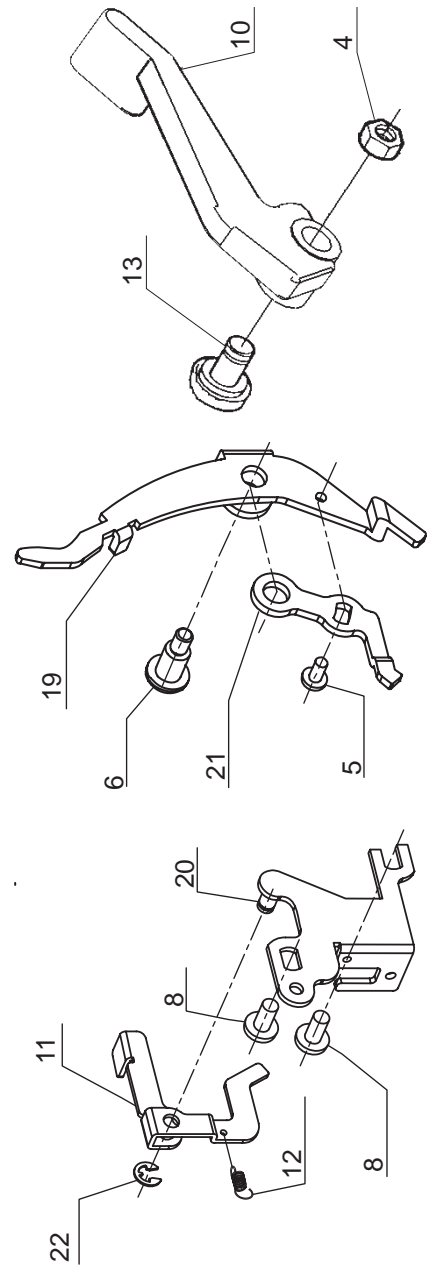
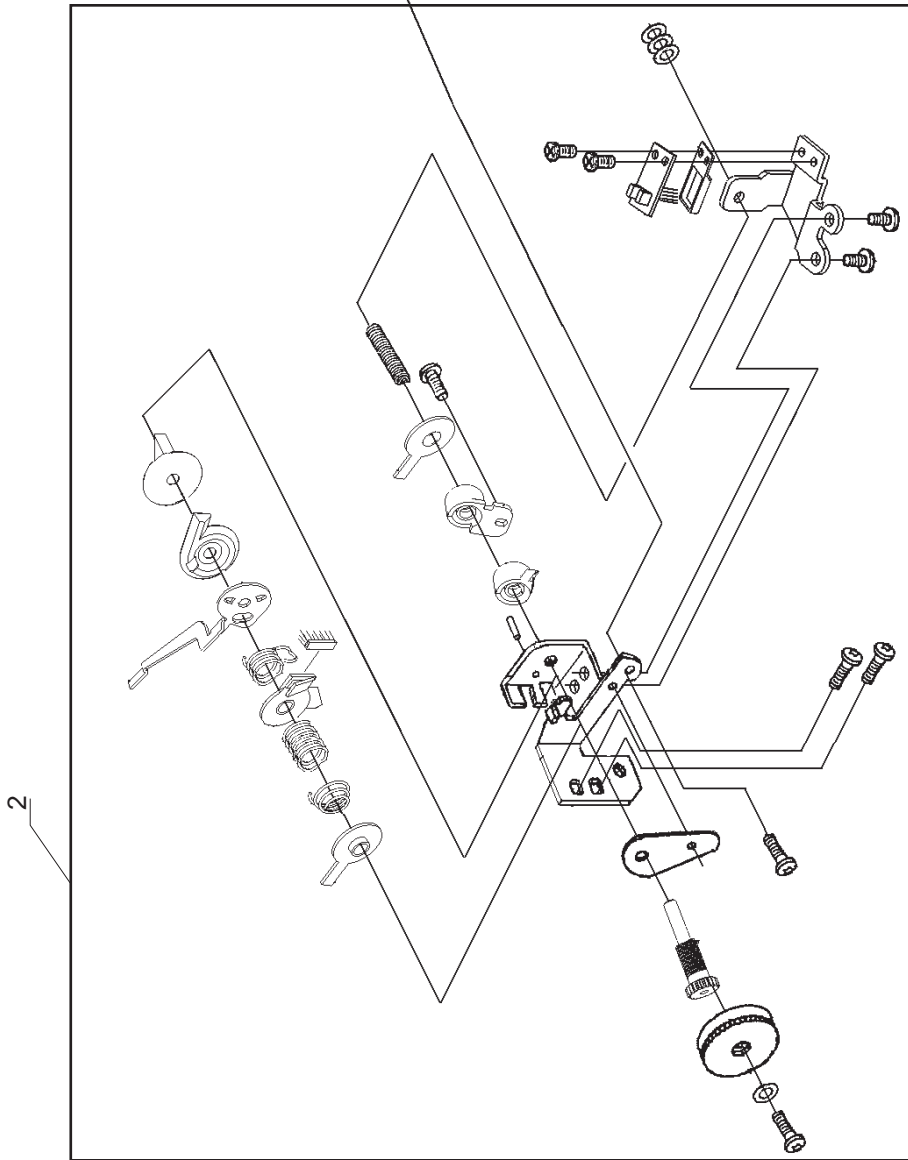
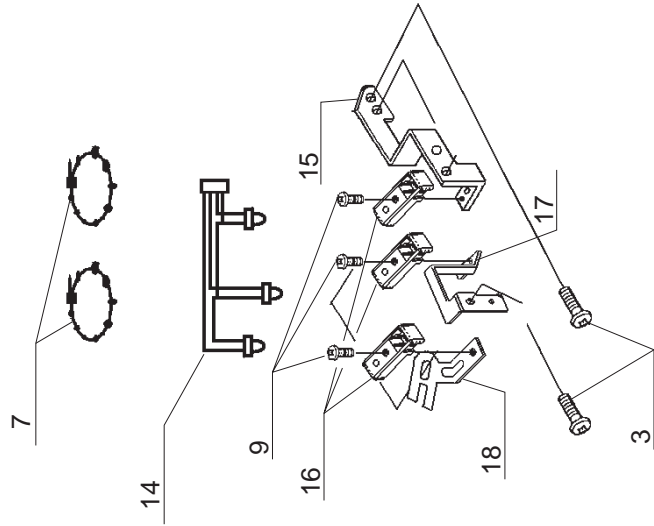
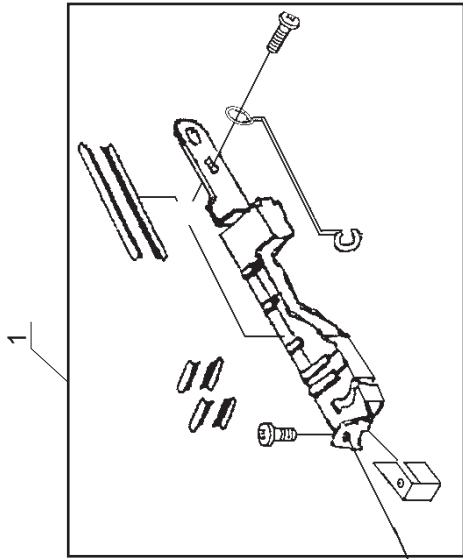




Pos	Part No	Description			
1	270 001513	E4 CLIP-ON-WASHER			
2	270 001520	E3 CLIP-ON-WASHER	55	416514201	WASHER
3	270 026934	#8 SCREW	56	416438501	THREADER ASSEMBLY
4	270 028735	CRINKLE WASHER	57	416439701	NEEDLE BAR CRANK
5	270 028917	HOOK FOR SPRING	58	416514301	SCREW
6	270 031733	M3 NUT	59	416513901	NUT
7	270 043390	THRUST WASHER	60	416504401	BRACKET
8	270 053321	THRUST WASHER	61	416504501	NEEDLE BAR BRACKET
9	270 064359	M4 SCREW	62	416438401	THREAD GUIDE B
10	270 064653	M3 SCREW			
11	270 066725	M4 SCREW			
12	270 067232	NEEDLE			
13	416513801	WASHER			
14	270 068343	PIN			
15	270 072367	M4 CP SCREW			
16	270 075024	STOPPER			
17	270 076183	NEEDLE BAR			
18	270 076317	M3 PHILIPS SCREW			
19	270 076324	M4 SCREW			
20	270 077037	NEEDLE BAR CLAMP			
21	270 077041	UNITY FASTENER			
22	270 077042	M4 PHILLIPS SCREW			
23	270 077043	FELT			
24	270 080095	STRAIGHT PIN			
25	270 080110	BOLT			
26	416514001	M3 SCREW			
27	416503401	THREAD GUIDE C			
28	270 080297	TWIN THREADING HOOK SET			
29	416503501	SWITCH HARNESS FOR ZIGZAG			
30	416503601	PINION GEAR			
31	416503701	ZIGZAG CAM WITH GEAR			
32	416503801	NEEDLE BAR SUPPORT BRACKET			
33	416438001	STEPPING MOTOR			
34	270 087111	NEEDLE BAR SWING BRACKET			
35	270 087154	NEEDLE CLAMP SET			
36	270 087183	SPRING			
37	270 087188	SPRING			
38	270 087207	STRAIGHT PIN			
39	270 087211	M3 SCREW			
40	270 087214	M3 SHOULDER SCREW			
41	270 087245	BELL CLANK FOR ZIGZAG			
42	270 087265	SPACER			
43	270 087726	NEEDLE BAR ADJUSTING PLATE			
44	270 088089	THREAD GUIDE			
45	270 088317	THREAD GUIDE PLATE			
46	416503901	THREAD GUIDE A			
47	416504001	THREADER SHAFT			
48	416504101	THREADER POSITIONING PLATE			
49	416504201	EXTENSION SPRING			
50	416514101	M3 AR NUT			
51	416504301	NEEDLE BAR SUPPORT			
52	416462001	ECCENTRIC CAM			
53	416438301	COMPRESSION SPRING			
54	270 088432	SPRING			

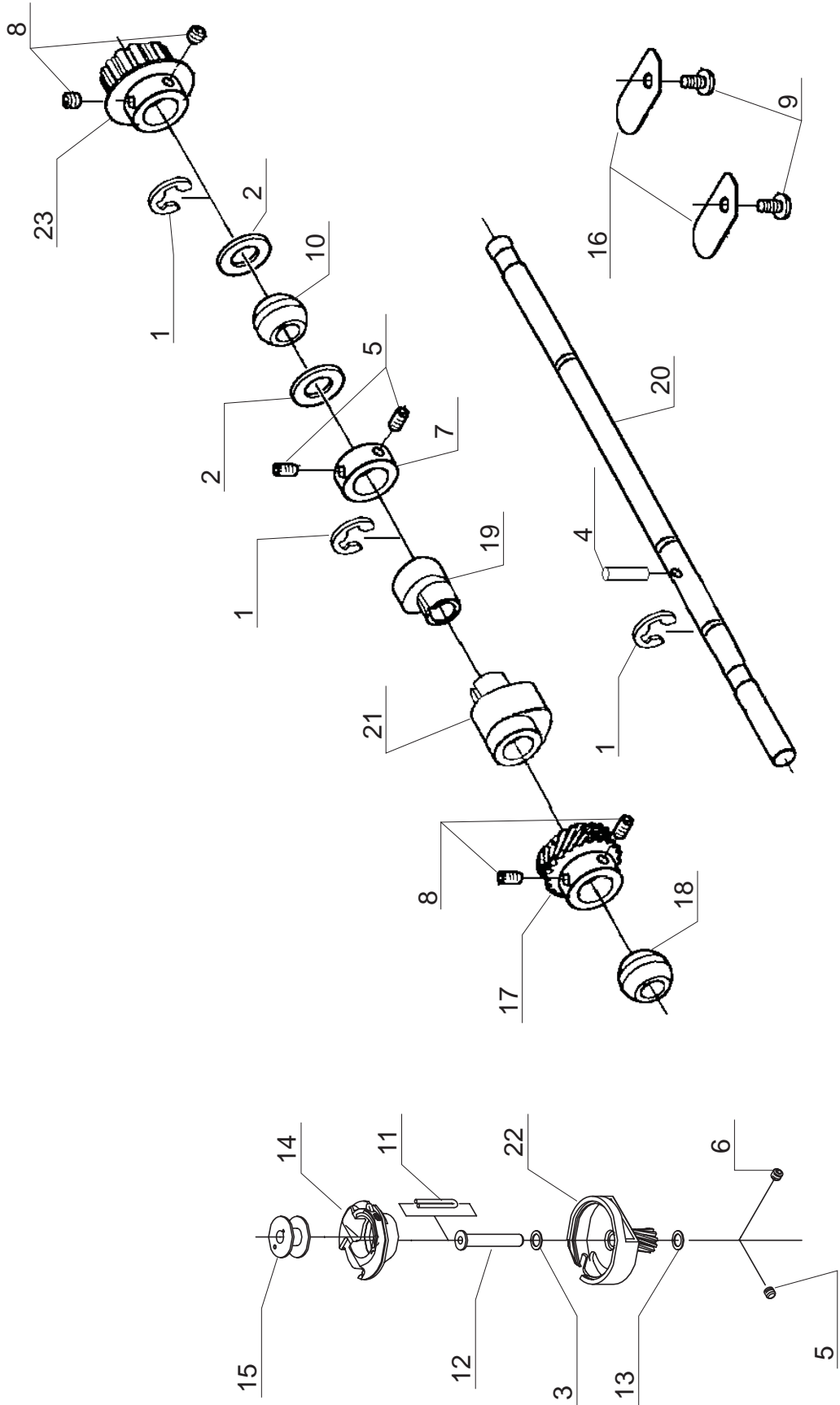


Pos	Part No	Description
1	416504601	NEEDLE PLATE SET
2	270 056858	M2 PHILIPS SCREW
3	270 061221	M4 PHILIPS SCREW
4	270 063278	PRESSER BAR
5	270 064051	M4 SCREW
6	270 066727	M4 SCREW
7	270 073900	M3 PHILIPS SCREW
8	270 076114	COVER GUIDE (R)
9	270 076159	COMPRESSION LEVER
10	270 076251	ZIGZAG PRESSER FOOT
11	270 077042	M4 PHILLIPS SCREW
12	270 077043	FELT
13	270 079491	SCREW
14	270 080065	#7 SCREW FOR SHANK
15	270 080079	CORD GUIDE
16	270 080096	M2 PHILIPS SCREW
17	416514401	SCREW FOR SHANK (ITALY ONLY)
18	416504701	BUTTON HOLE STITCH SENSOR HARNESS
19	416504801	INSULATION SHEET
20	416504901	COVER GUIDE (L)
21	416505001	THREAD CONTROL PLATE
22	416505101	THREAD CONTROL PLATE
23	416504601	NEEDLE PLATE SET
24	416505201	BH CANTILEVER
25	416505301	BH PLATE (A)
26	270 085016	PRESSER FOOT HOLDER
27	270 085065	COMPRESSION SPRING
28	270 085262	M2 SCREW
29	270 085332	SPACER
30	416439901	PRESSER FOOT POSITIONNING HARNESS
31	270 087114	PRESSURE BAR GUIDE
32	270 087115	PRESSURE SUPPORT PLATE
33	270 087234	RELEASE LEVER
34	270 087344	BLADE
35	270 087456	NEEDLE COVER PLATE
36	270 087679	BH PLATE ( B )
37	270 087680	BH PLATE ( C )
38	270 087693	BH PALTE
39	270 087694	LEAF SPRING
40	270 087695	BH CANTILEVER SUPPORT
41	416505401	BLADE PALTE
42	270 088325	BRACKET
43	416514501	FINGER GARD (ITALY ONLY)
44	416440201	PRESSER BAR GUIDE
45	416440301	SWITCH DOG ADJUSTMENT PLATE
46	416505501	PRESSURE BAR GUIDE
47	416505601	SPRING



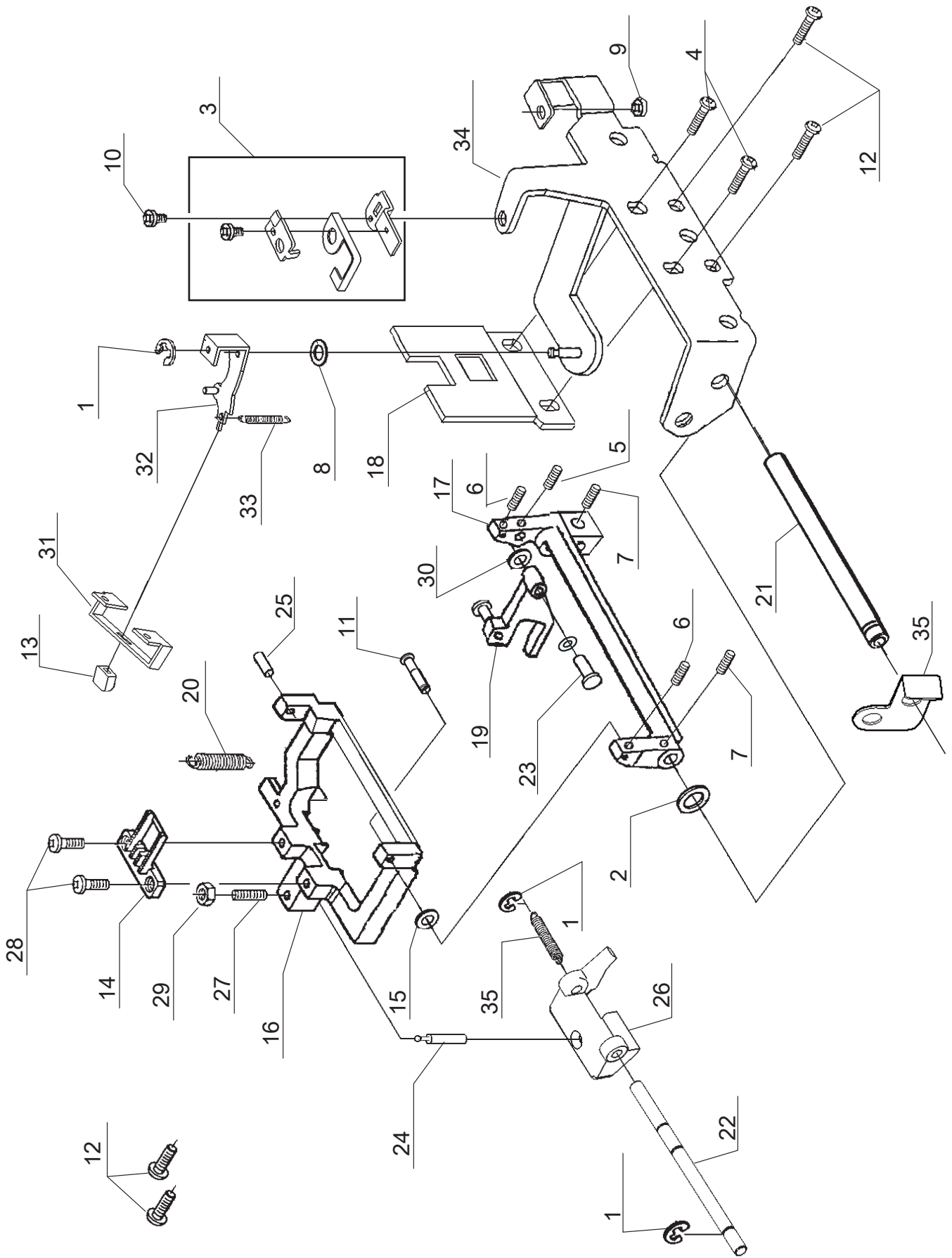
---

Pos	Part No	Description
1	416505701	THREAD GUIDE PLATE ASSY
2	416505801	TENSION ASSY
3	270 061222	M4 PHILIPS SCREW
4	270 062215	M4 NUT
5	270 066318	M3 PHILIPS SCREW
6	270 072266	M4 STUD SCREW
7	270 077041	UNITY FASTENER
8	270 077042	M4 PHILLIPS SCREW
9	270 077057	M3 PHILIPS SCREW
10	416505901	PRESSER FOOT LIFTER
11	416506001	THREAD REGULATOR RELEASE LEVER
12	270 085064	EXTENSION SPRING
13	270 087212	M4 SCREW
14	270 087623	LED LIGHT
15	416506101	THREAD GUIDE PLATE
16	270 088314	LED LIGHT COVER
17	270 088315	LED LIGHT COVER BRACKET
18	270 088316	LED LIGHT COVER BRACKET
19	416506201	TENSION RELEASE LEVER
20	416506301	THREAD REGULATOR RELEASE LEVER BASE
21	416506401	PRESSER SWITCH DOG
22	270 001520	E3 CLIP-ON-WASHER



---

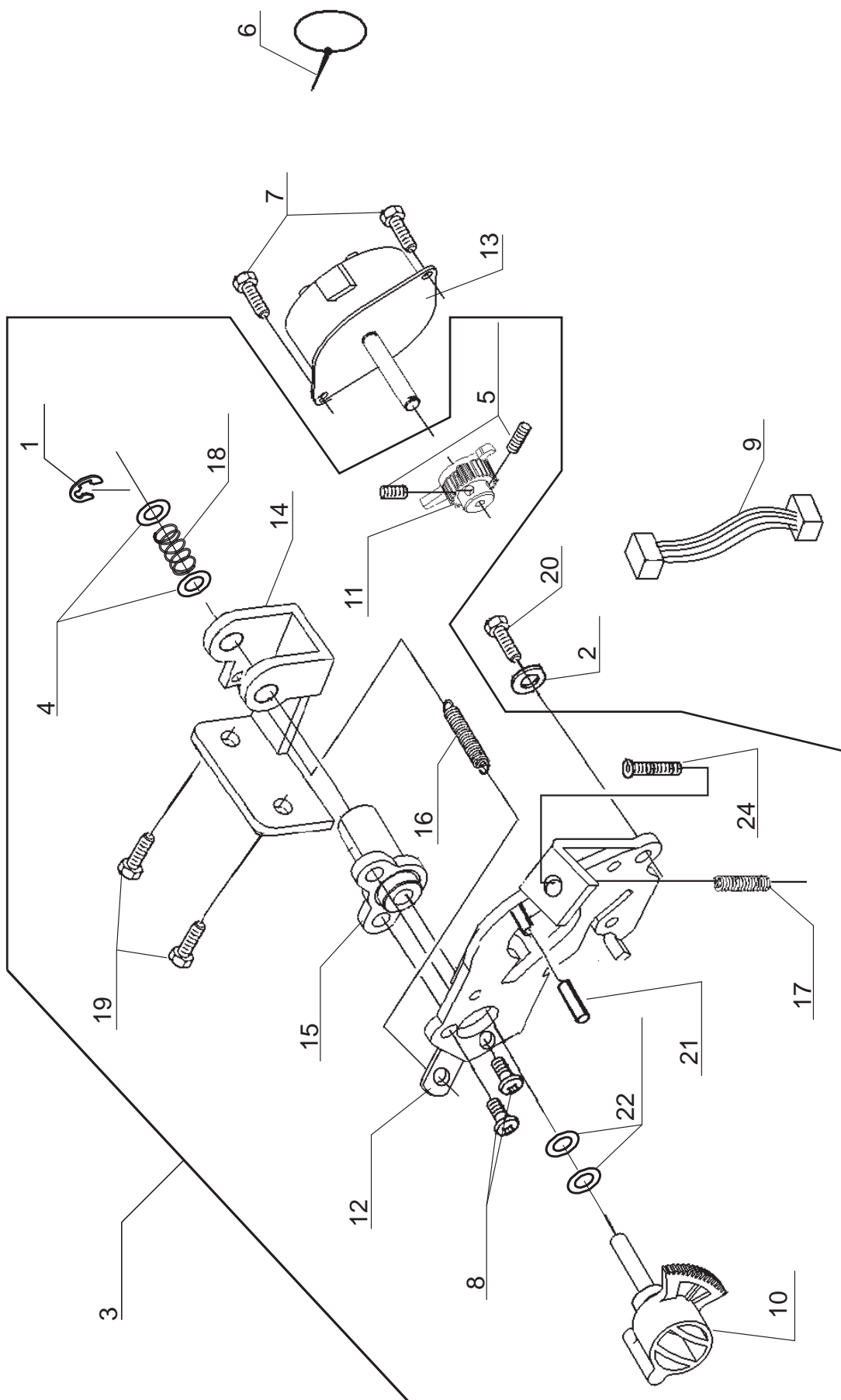
Pos	Part No	Description
1	270 010963	E6 CLIP-ON-WASHER
2	270 043390	THRUST WASHER
3	270 043392	THRUST WASHER
4	270 064179	SPRING PIN
5	270 066725	M4 SCREW
6	270 066727	M4 SCREW
7	270 067444	COLLAR
8	270 067447	M5 SCREW
9	270 073434	M4 PHILIPS SCREW
10	270 076141	BALL METAL
11	270 076203	OILING CORD
12	270 080078	SHUTTLE RACE SHAFT
13	416514601	WASHER
14	416506501	BOBBIN CASE
15	270 085128	BOBBIN
16	270 085247	SECURING PLATE
17	270 087050	BEVEL GEAR
18	270 087170	BALL METAL
19	270 087228	FEED CAM
20	270 088114	LOWER STRAIGHT SHAFT
21	270 088115	LIFTING CAM
22	416444301	SHUTTLE RACE UNIT
23	416434701	LOWER SHAFT BELT PULLEY





---

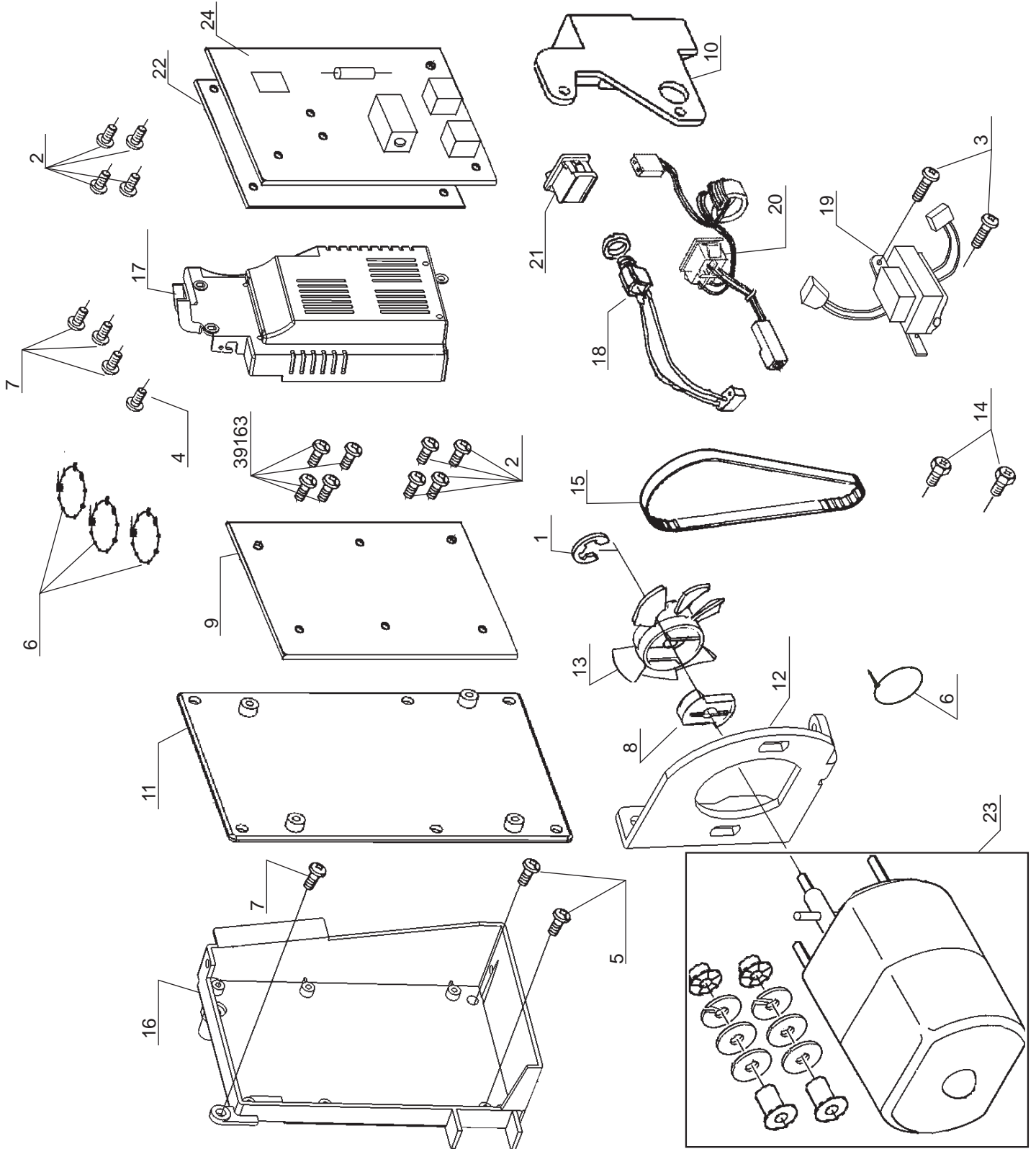
<u>Pos</u>	<u>Part No</u>	<u>Description</u>
1	270 001520	E3 CLIP-ON-WASHER
2	270 032949	WASHER
3	270 051058	RETAINER SET
4	270 061221	M4 PHILIPS SCREW
5	270 061333	M4 SCREW
6	270 064653	M3 SCREW
7	270 066725	M4 SCREW
8	270 072858	WASHER
9	270 073299	M4 TORQUE NUT
10	270 073900	M3 PHILIPS SCREW
11	270 076132	SHAFT
12	270 077042	M4 PHILLIPS SCREW
13	416506601	DROP KNOB
14	416506701	FEED DOG
15	270 085252	WASHER
16	270 087103	FEED DOG BASE
17	270 087104	FEED DOG BASE SUPPORT
18	270 087122	SUPPORT PLATE
19	270 087174	FORKED CRANK
20	270 087186	TORSION SPRING
21	270 087202	SHAFT
22	270 087203	SHAFT
23	270 087206	PIN
24	270 087208	BALL HEADED PIN
25	270 087210	PIN
26	270 087226	VERTICAL FEED BLOCK
27	270 087232	M6 STUD SCREW
28	270 087262	M3 CP SCREW
29	270 087268	M6 NUT
30	270 087269	WASHER
31	270 087422	DROP GUIDE
32	270 087423	DROP LEVER
33	270 087424	TORSION SPRING
34	270 087426	SECURING BRACKET
35	270 087433	TORSION SPRING
36	416506801	SECURING PLATE



---

<u>Pos</u>	<u>Part No</u>	<u>Description</u>
1	270 001513	E4 CLIP-ON-WASHER
2	270 031246	WASHER
3	416506901	FEED REGULATOR UNIT
4	270 059221	WASHER
5	270 064653	M3 SCREW
6	270 077041	UNITY FASTENER
7	270 080110	BOLT
8	270 080123	M3 PHILIPS SCREW
9	416507001	SWITCH HARNESS
10	416507101	FEED REGULATOR
11	416507201	PINION GEAR
12	416507301	STEPPING MOTOR BRACKET
13	416507401	STEPPING MOTOR
14	270 087146	BRACKET
15	270 087178	FEED REGULATOR SHAFT METAL BUSH
16	270 087188	SPRING
17	270 087189	COMPRESSION SPRING
18	270 087191	COMPRESSION SPRING
19	270 087261	CP BOLT
20	270 087262	M3 CP SCREW
21	270 087273	PIN
22	270 087274	WASHER
23	416514701	KNOB
24	270 087668	M4 BOLT

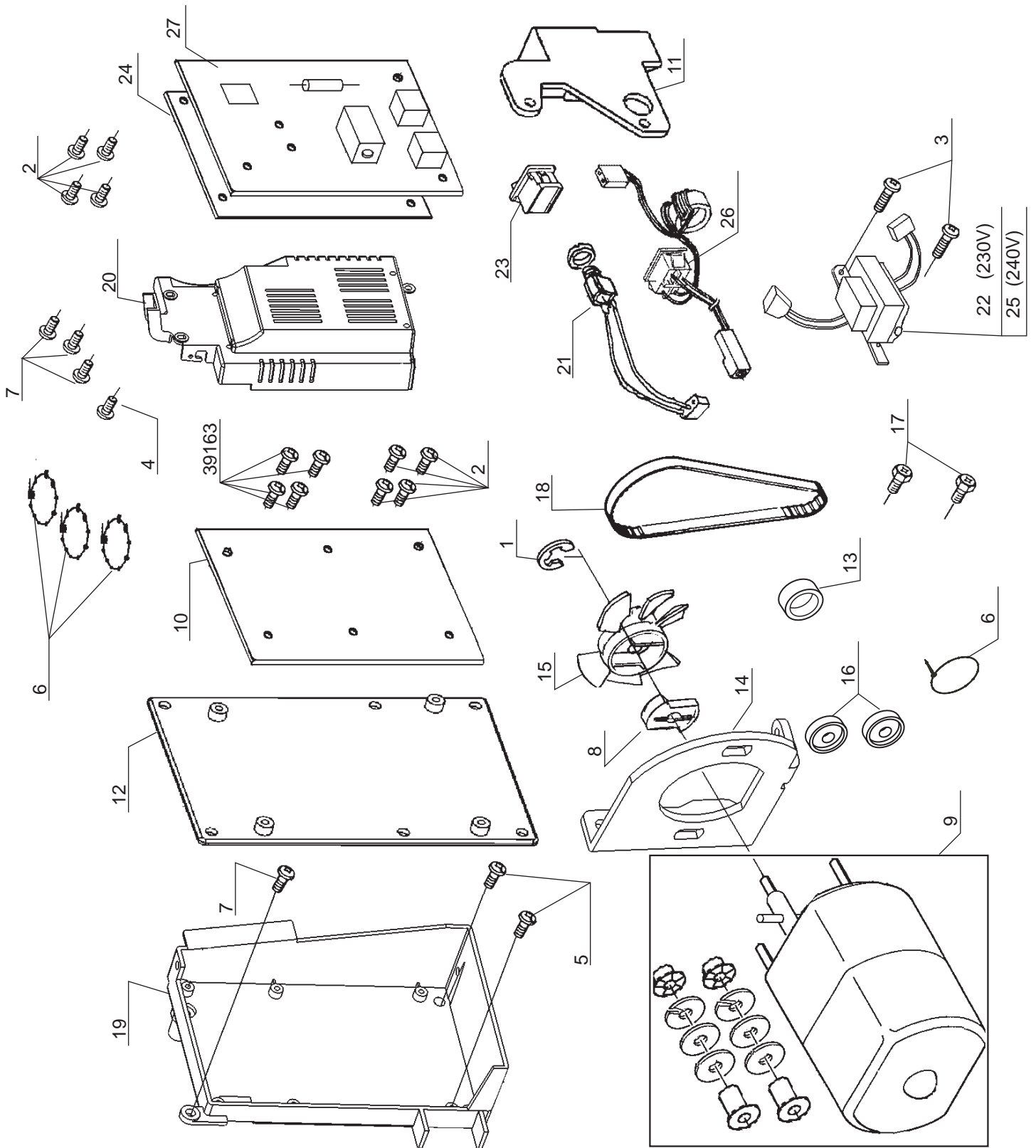
# J 120V



---

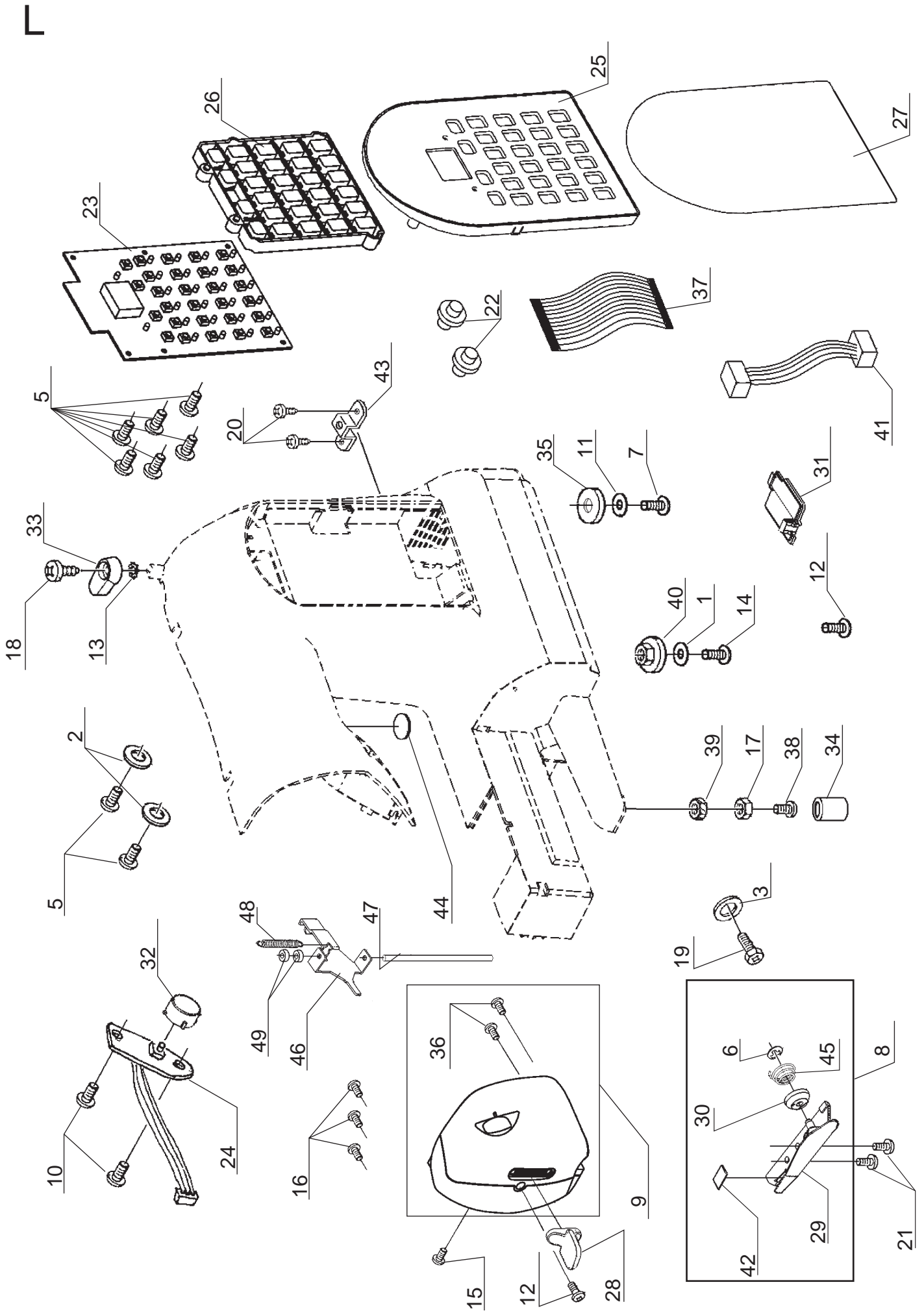
<u>Pos</u>	<u>Part No</u>	<u>Description</u>
1	270 001520	E3 CLIP-ON-WASHER
2	270 039213	M3 SCREW
3	270 061222	M4 PHILIPS SCREW
4	270 061224	M4 PHILIPS SCREW
5	270 061225	M4 PHILIPS SCREW
6	270 077041	UNITY FASTENER
7	270 077042	M4 PHILLIPS SCREW
8	270 077614	GEAR CLUTCH
9	416507101	CIRCUIT BOARD
10	416507201	SWITCH BRACKET
11	416507301	CIRCUIT BOARD SPACER
12	270 087126	MAIN MOTOR BRACKET
13	270 087237	MOTOR FAN
14	270 087261	CP BOLT
15	270 087263	DRIVING BELT
16	270 087291	CPU CIRCUIT BOARD BOX
17	270 087316	AC CIRCUIT BOARD BOX
18	270 087513	PIN-JACK HARNESS
19	270 087514	TRANSFORMER (120V)
20	270 087536	INLET HARNESS
21	270 087541	SWITCH
22	270 087542	INSULATION SHEET
23	270 087616	MAIN MOTOR
24	270 087625	CIRCUIT BOARD

# K 230V



---

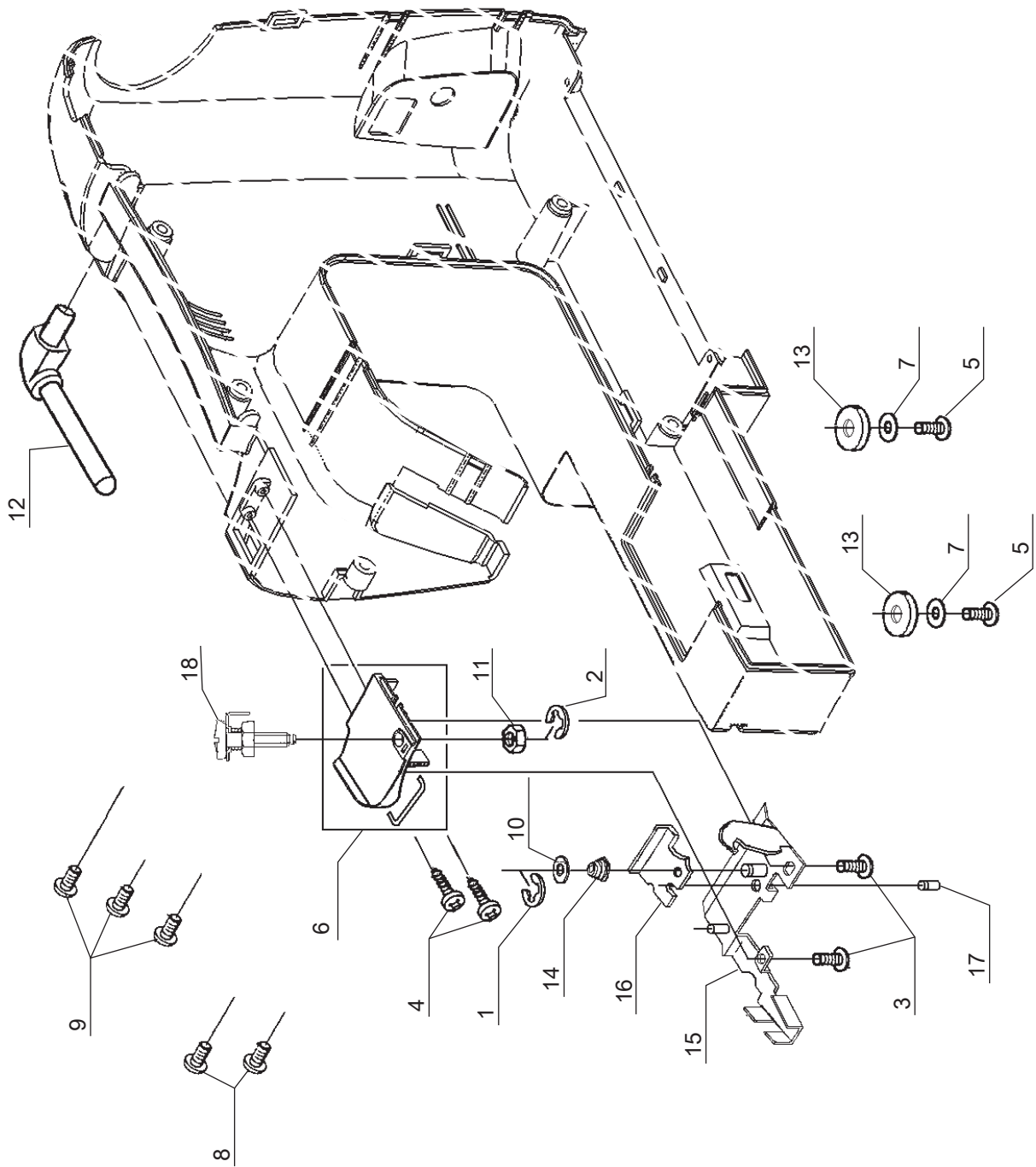
<u>Pos</u>	<u>Part No</u>	<u>Description</u>
1	270 001520	E3 CLIP-ON-WASHER
2	270 039213	M3 SCREW
3	270 061222	M4 PHILIPS SCREW
4	270 061224	M4 PHILIPS SCREW
5	270 061225	M4 PHILIPS SCREW
6	270 077041	UNITY FASTENER
7	270 077042	M4 PHILLIPS SCREW
8	270 077614	GEAR CLUTCH
9	416507401	MAIN MOTOR
10	416507501	CIRCUIT BOARD
11	416507601	SWITCH BRACKET
12	416507701	CIRCUIT BOARD SPACER
13	270 085318	FERRITE RING
14	270 087126	MAIN MOTOR BRACKET
15	270 087237	MOTOR FAN
16	270 087257	BUSH
17	270 087261	CP BOLT
18	270 087263	DRIVING BELT
19	270 087291	CPU CIRCUIT BOARD BOX
20	270 087316	AC CIRCUIT BOARD BOX
21	270 087513	PIN-JACK HARNESS
22	270 087519	TRANSFORMER (230V)
23	270 087541	SWITCH
24	270 087542	INSULATION SHEET
25	416507801	TRANSFORMER (240V)
26	270 087575	INLET HARNESS
27	270 087629	CIRCUIT BOARD





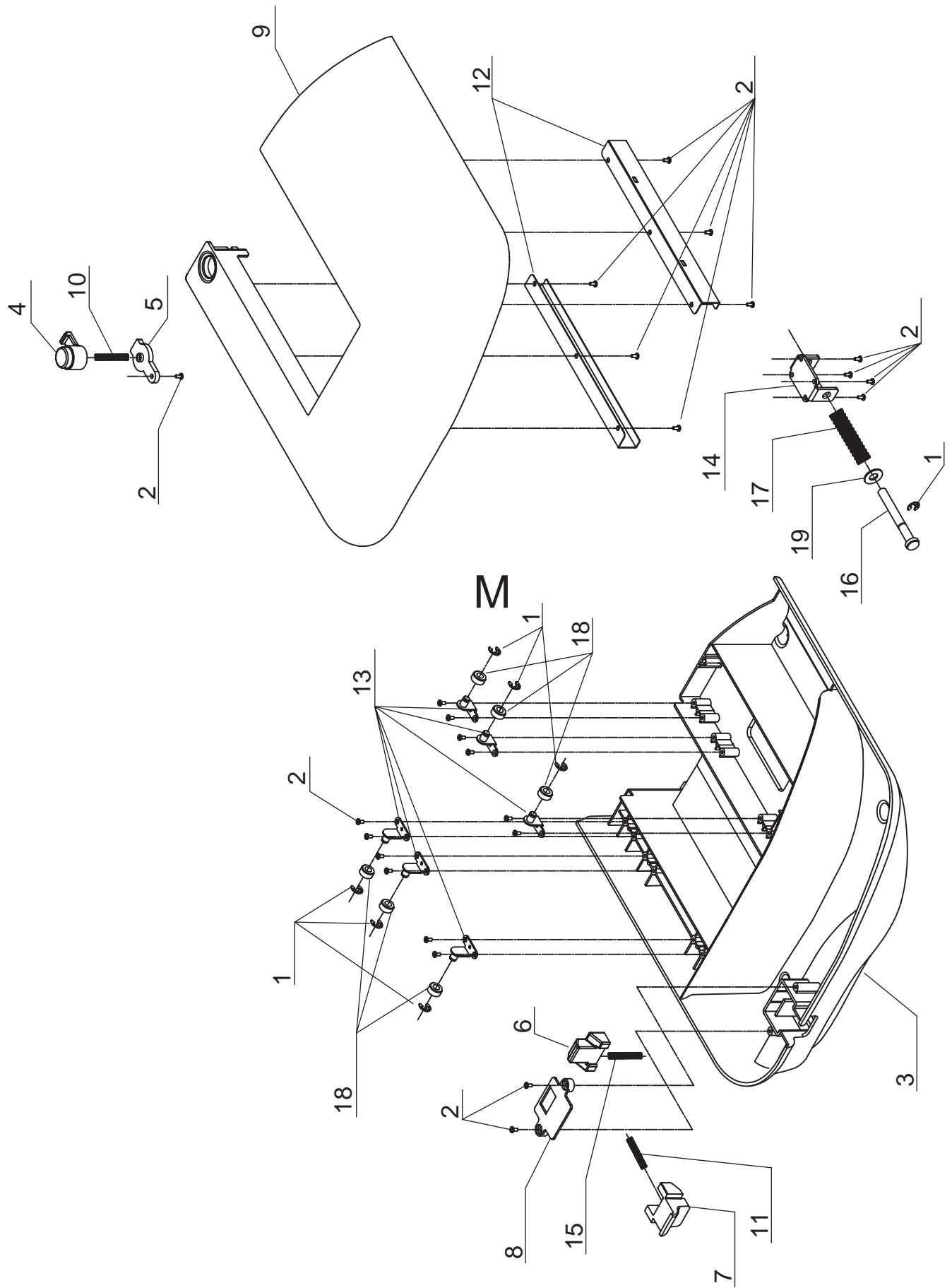
Pos	Part No	Description
1	270 002744	WASHER
2	270 025670	WASHER
3	270 031246	WASHER
4	270 032316	WASHER
5	270 039213	M3 SCREW
6	270 039615	CLIP-ON-WASHER
7	270 044261	M4 SCREW
8	416507901	THREAD HOLDER SET
9	416508001	FACE COVER SET
10	270 058024	TAPPING SCREW
11	270 059221	WASHER
12	270 061222	M4 PHILIPS SCREW
13	270 064360	TOOTHED WASHER
14	270 064617	TAPPING SCREW
15	270 065736	M4 PHILIPS SCREW
16	270 065826	TAPPING SCREW
17	270 073299	M4 TORQUE NUT
18	270 074795	TAPPING SCREW
19	270 077044	M3 PHILIPS SCREW
20	270 077403	SCREW
21	416435101	TAPPING SCREW
22	270 083044	LED PANEL
23	416508101	SWITCH CIRCUIT BOARD
24	416508201	SWITCH HARNESS
25	416508301	PANEL
26	416508401	PATTERN SWITCH
27	416508501	PATTERN SEET
28	416508601	THREADER LEVER
29	416508701	THREAD HOLDER
30	416508801	HOLDER TENSION DISC
31	416508901	COVER
32	416509001	BUTTON
33	416509101	BOBBIN WINDER LATCH
34	416509201	RUBBER CUSHION
35	416509301	RUBBER FOOT
36	270 085074	M3 SCREW
37	416449201	CONNECTOR CABLE
38	270 086038	STUD SCREW
39	270 087218	NUT
40	270 087271	RUBBER FOOT
41	270 087524	5P CORD HARNESS
42	270 087766	BLADE
43	416509401	FRONT COVER BRACKET
44	416509501	PLATE
45	416452101	SPRING
46	416509601	BRACKET
47	416452001	THREADER SHAFT
48	416452201	EXTENSION SPRING
49	416509701	WASHER

L



---

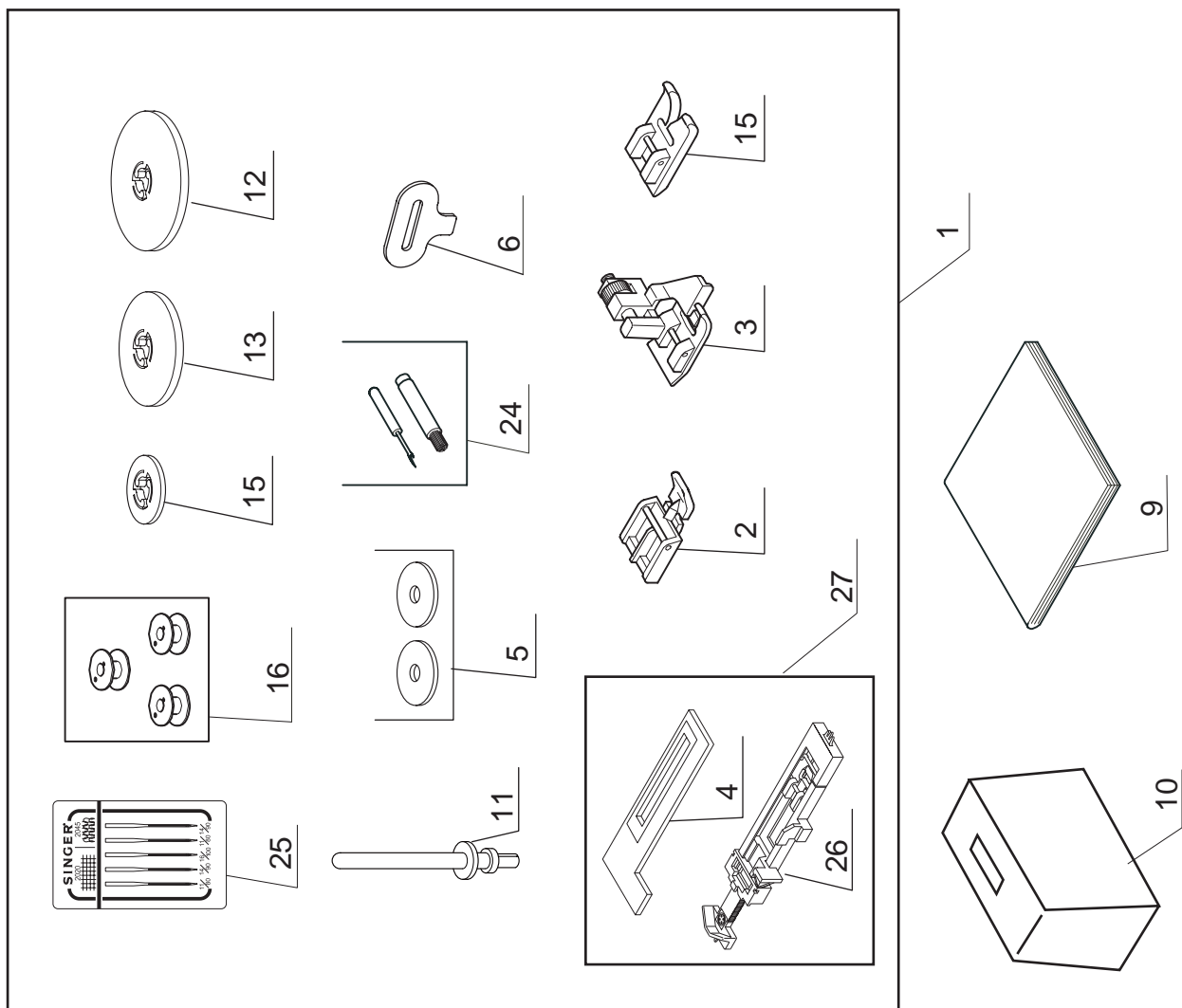
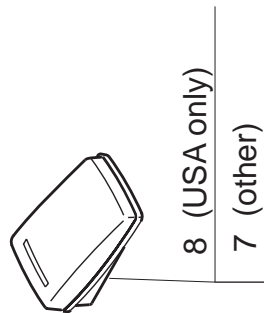
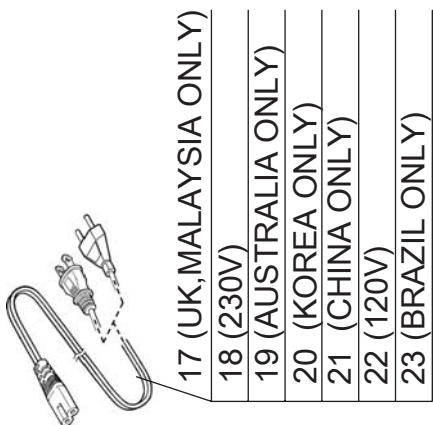
<u>Pos</u>	<u>Part No</u>	<u>Description</u>
1	270 001520	E3 CLIP-ON-WASHER
2	270 027925	E2.5 CLIP-ON-WASHER
3	270 039163	TAPPING SCREW
4	270 039213	M3 SCREW
5	270 044261	M4 SCREW
6	416509801	TENSION COVER
7	270 059221	WASHER
8	270 061224	M4 PHILIPS SCREW
9	270 064484	TAPPING SCREW
10	270 072858	WASHER
11	270 073299	M4 TORQUE NUT
12	416509901	SPOOL PIN UNIT
13	416509301	RUBBER FOOT
14	270 086999	SPRING
15	416510001	THREAD PLATE
16	416510101	THREAD REGULATE PLATE
17	416451101	PIN
18	416510201	M4 SPECIAL SCREW UNIT



---

<u>Pos</u>	<u>Part No</u>	<u>Description</u>
1	270 001513	E4 CLIP-ON-WASHER
2	270 039213	M3 SCREW
3	See # 20	ACCESSORY BOX
4	See # 20	RELEASE BUTTON
5	See # 20	BUTTON COVER
6	See # 20	BRACKET
7	See # 20	BUTTON
8	See # 20	BUTTON COVER
9	See # 20	ACCESSORY BOX COVER
10	See # 20	SPRING
11	See # 20	SPRING
12	See # 20	BOX SUPPORT RAIL
13	See # 20	ROLLER PLATE
14	See # 20	BRACKET
15	See # 20	SPRING
16	See # 20	PIN
17	See # 20	SPRING
18	270 086349	GUIDE ROLLER
19	270 086379	WASHER
20	416510301	ACCESSORY BOX CPL.

.



Pos	Part No	Description
1	416510401	ACCESSORY SET
2	270 076252	ZIPPER FOOT
3	270 076255	BLIND STITCH FOOT
4	270 076630	BUTTONHOLE PLATE
5	270 077040	SPOOL PIN DISC
6	270 079455	LARGE SCREW DRIVER
7	416510501	FOOT CONTROL (PIN-JACK TYPE)
8	270 081495	FOOT CONTROL (PIN-JACK TYPE) USA
9	XXXXXXXX	INSTRUCTION BOOK (German, Italian, Russian)
	XXXXXXXX	INSTRUCTION BOOK (Eng,Fre,Spa)
	XXXXXXXX	INSTRUCTION BOOK (DanSweNorFinEng)
	XXXXXXXX	INSTRUCTION BOOK (Korean)
	XXXXXXXX	INSTRUCTION BOOK (Cz, Sk, Hu, Pl)
	XXXXXXXX	INSTRUCTION BOOK (EngFreDut)
	XXXXXXXX	INSTRUCTION BOOK (Eng,Chinese,Indonesian)
10	416510601	DUST COVER
11	416510701	SPOOL PIN
12	416510801	SPOOL PIN CAP (LARGE)
13	416510901	SPOOL PIN CAP (SMALL)
14	416511001	SPOOL PIN CAP (MINI)
15	270 085015	ZIGZAG PRESSER FOOT
16	270 085128	BOBBIN
17	270 085338	POWER CORD (UK,MALAYSIA ONLY)
18	412157801	POWER CORD (230V)
19	412158101	POWER CORD (AUSTRALIA ONLY)
20	270 085349	POWER CORD (KOREA ONLY)
21	270 085354	POWER CORD (CHINA ONLY)
22	270 087534	POWER CORD (120V)
23	XXXXXXXX	POWER CORD (BRAZIL ONLY)
24	270 006099008	BUTTONHOLE OPENER / BRUSH
25	260 353364000	NEEDLE SET
26	270 087696	BUTTONHOLE FOOT
27	270 088100	BUTTONHOLE FOOT SET