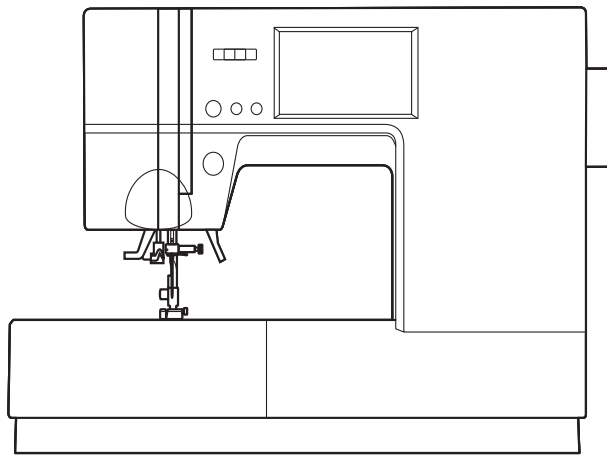


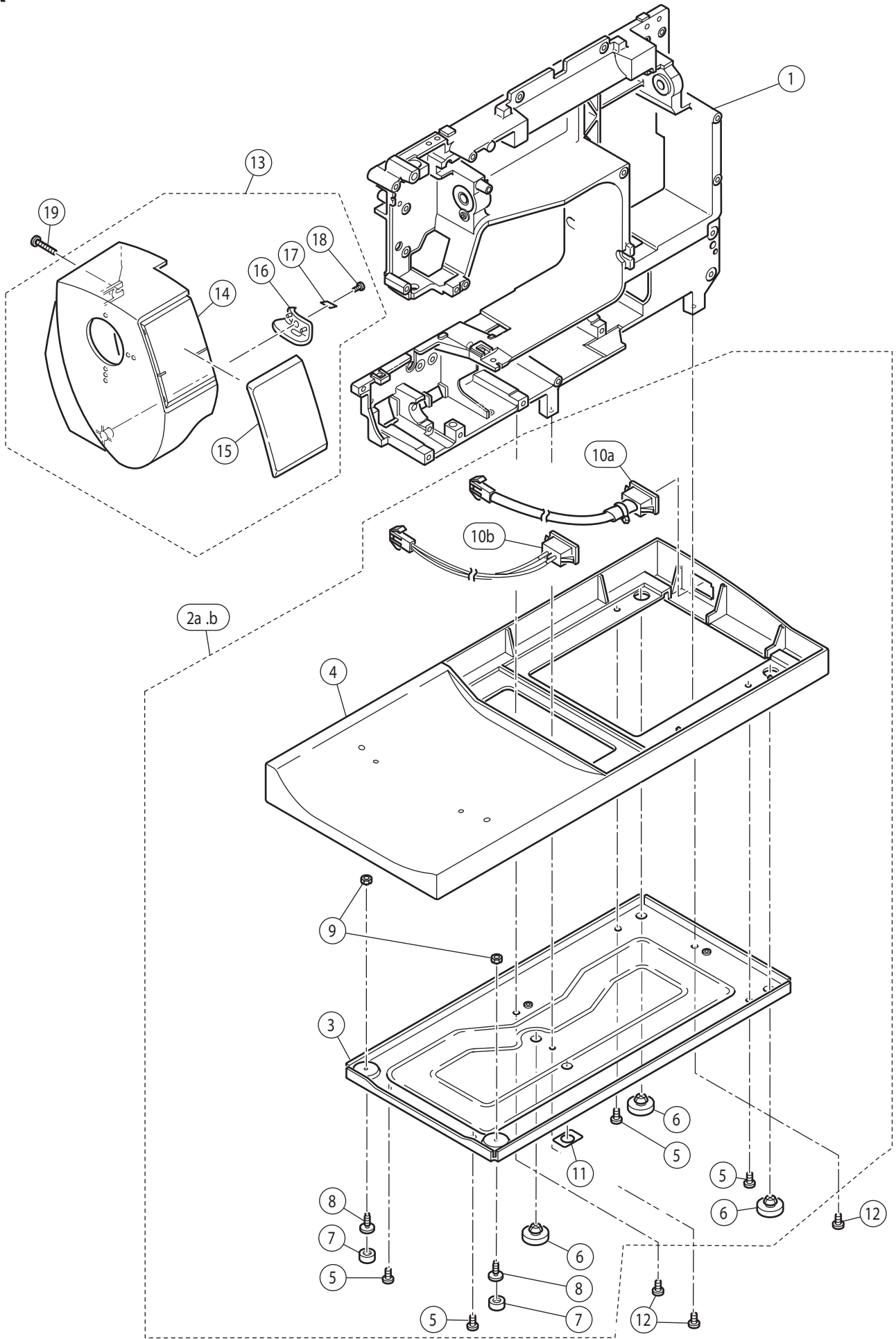


9985



Liste de pièces
Lista de Piezas
Parts List

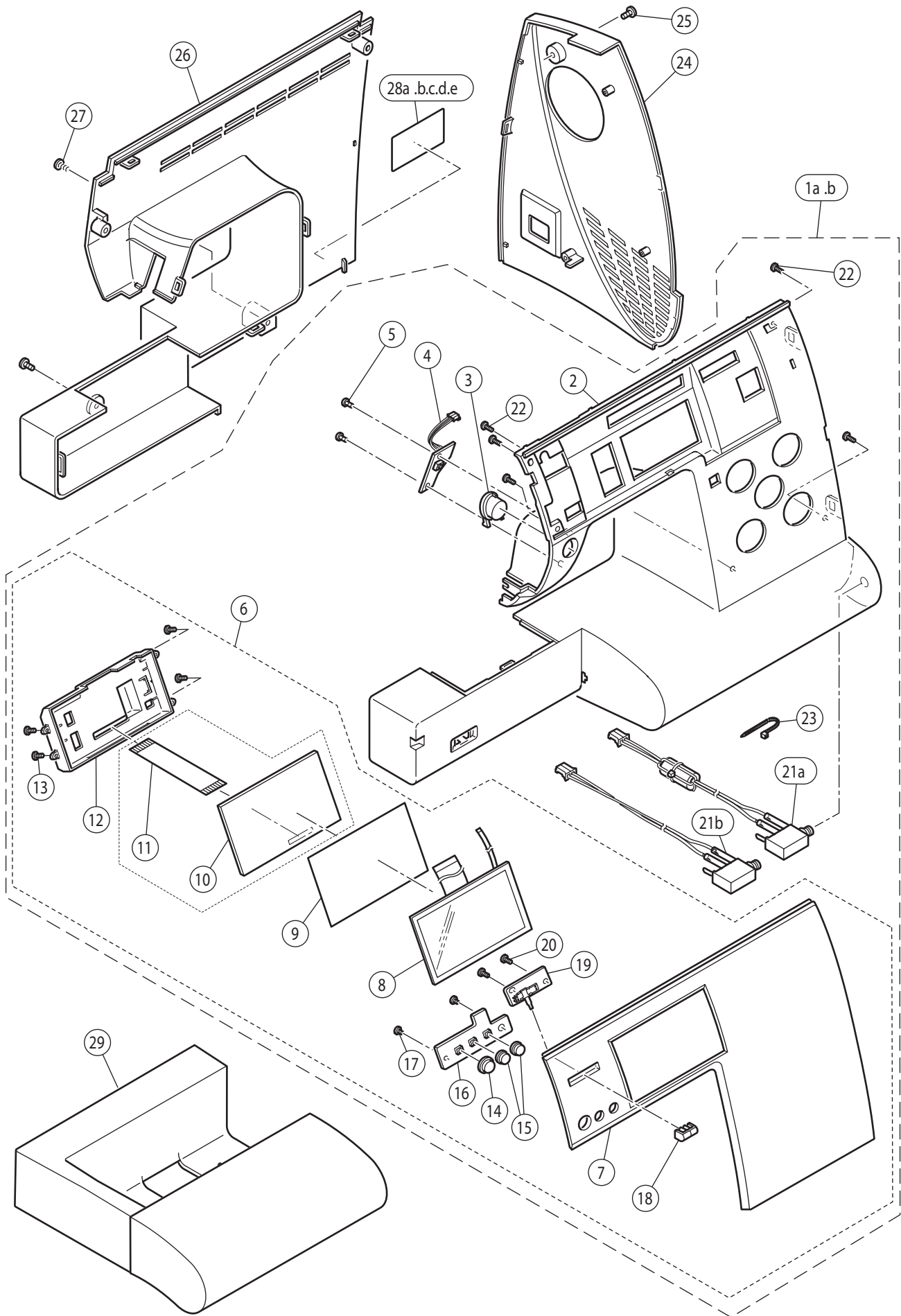
A



9985

| Pos. | Part No. | Description |
|------|-----------|----------------------------|
| 2a | 416792701 | Base Assy. (EU) |
| 2b | 416792801 | Base Assy. (USA) |
| 10a | 68002901 | Terminal Box Assy. (EU.AU) |
| 10b | 68002902 | Terminal Box Assy. (USA) |
| 13 | 416824001 | Face Plate Assy. |
| 17 | 412423701 | Thread Cutter |

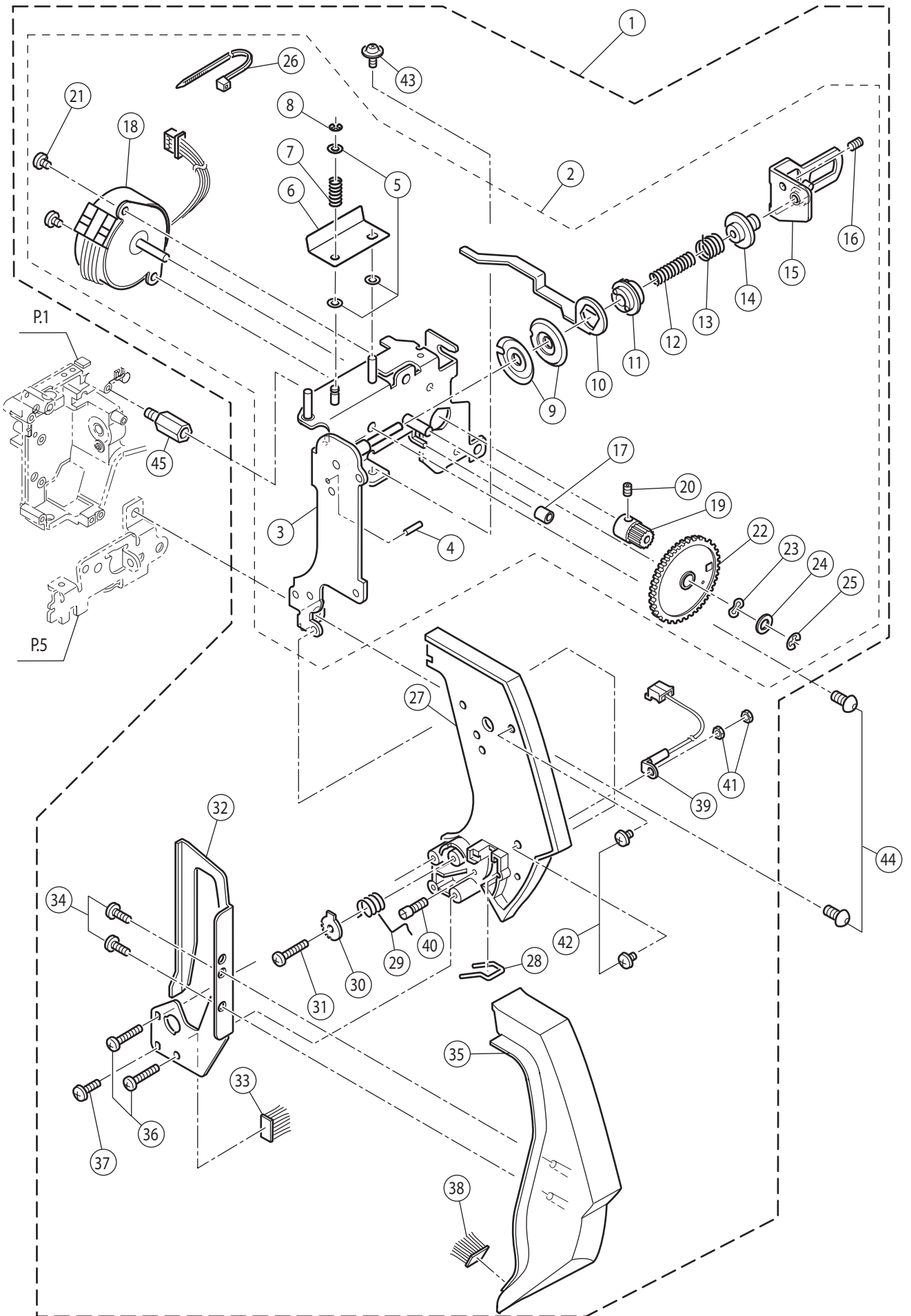
B



9985

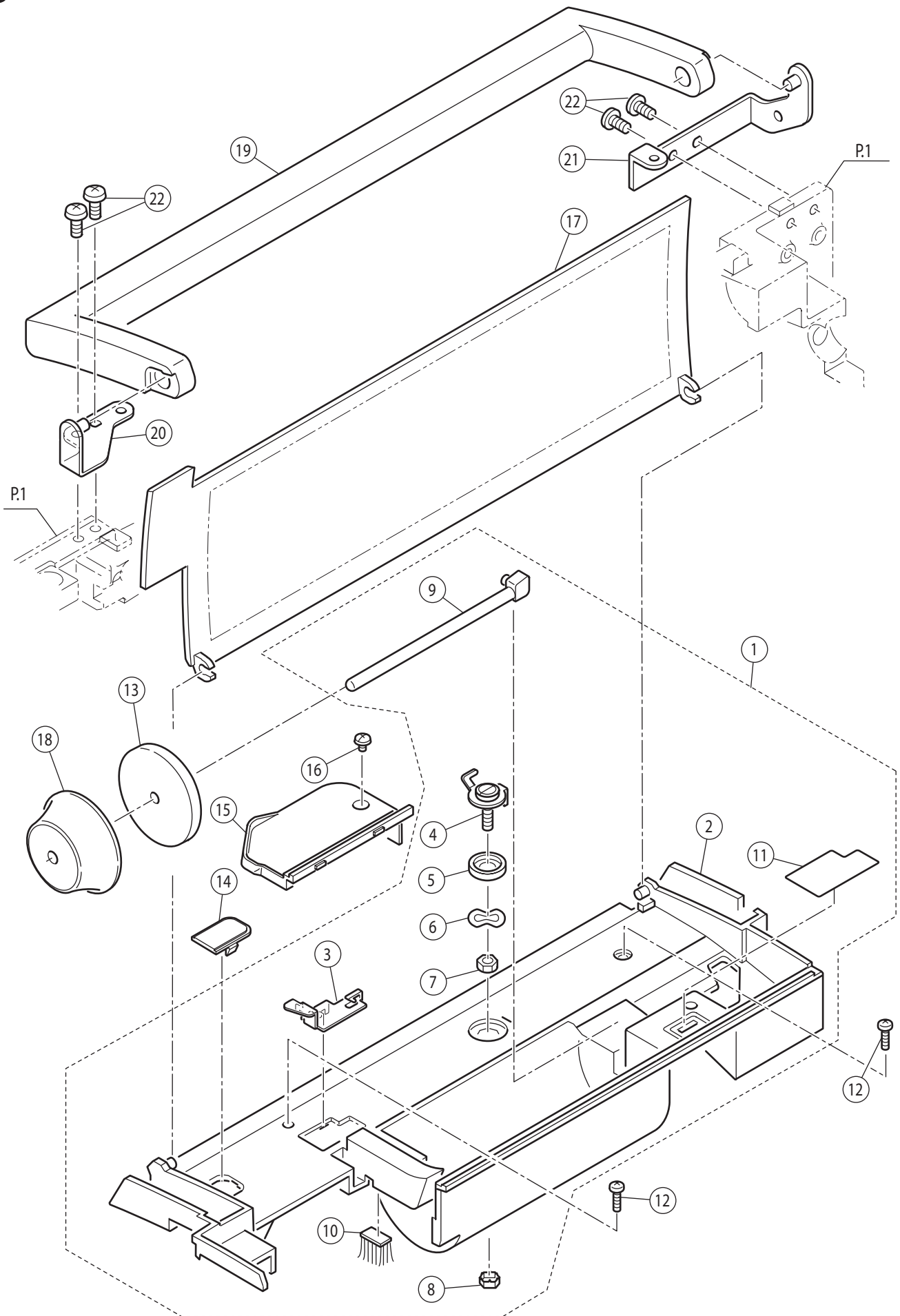
| <u>Pos.</u> | <u>Part No.</u> | <u>Description</u> |
|-------------|-----------------|-----------------------------|
| 1a | 416824201 | Front Cover Assy. (EU) |
| 1b | 416824301 | Front Cover Assy. (USA) |
| 3 | 416791101 | Start Stop Switch Key-top |
| 4 | 416790501 | Switch Board Assy. |
| 6 | 416824401 | Front Panel Assy. |
| 11 | 416824901 | Flexible Cord FFC |
| 12 | 416825001 | L.C.D.Cover |
| 14 | 416825101 | Reverse Key-Top |
| 15 | 416825201 | Key-top |
| 16 | 416825301 | Switch Board Assy. |
| 18 | 416825401 | Speed Key-top |
| 21a | 270 HP33115 | Controller Cord Assy. (EU) |
| 21 b | 270 HP31800 | Controller Cord Assy. (USA) |
| 29 | 270 HP33012 | Extension Table Assy. |

C



| <u>Pos.</u> | <u>Part No.</u> | <u>Description</u> |
|-------------|-----------------|--------------------------|
| 1 | 416791801 | Thread Tension Unit |
| 2 | 416399801 | Thread Tension Assy. |
| 9 | 68001586 | Thread Tension Disc |
| 29 | 416396101 | Thread Check Spring |
| 39 | 416399601 | Thread Check Spring Cord |

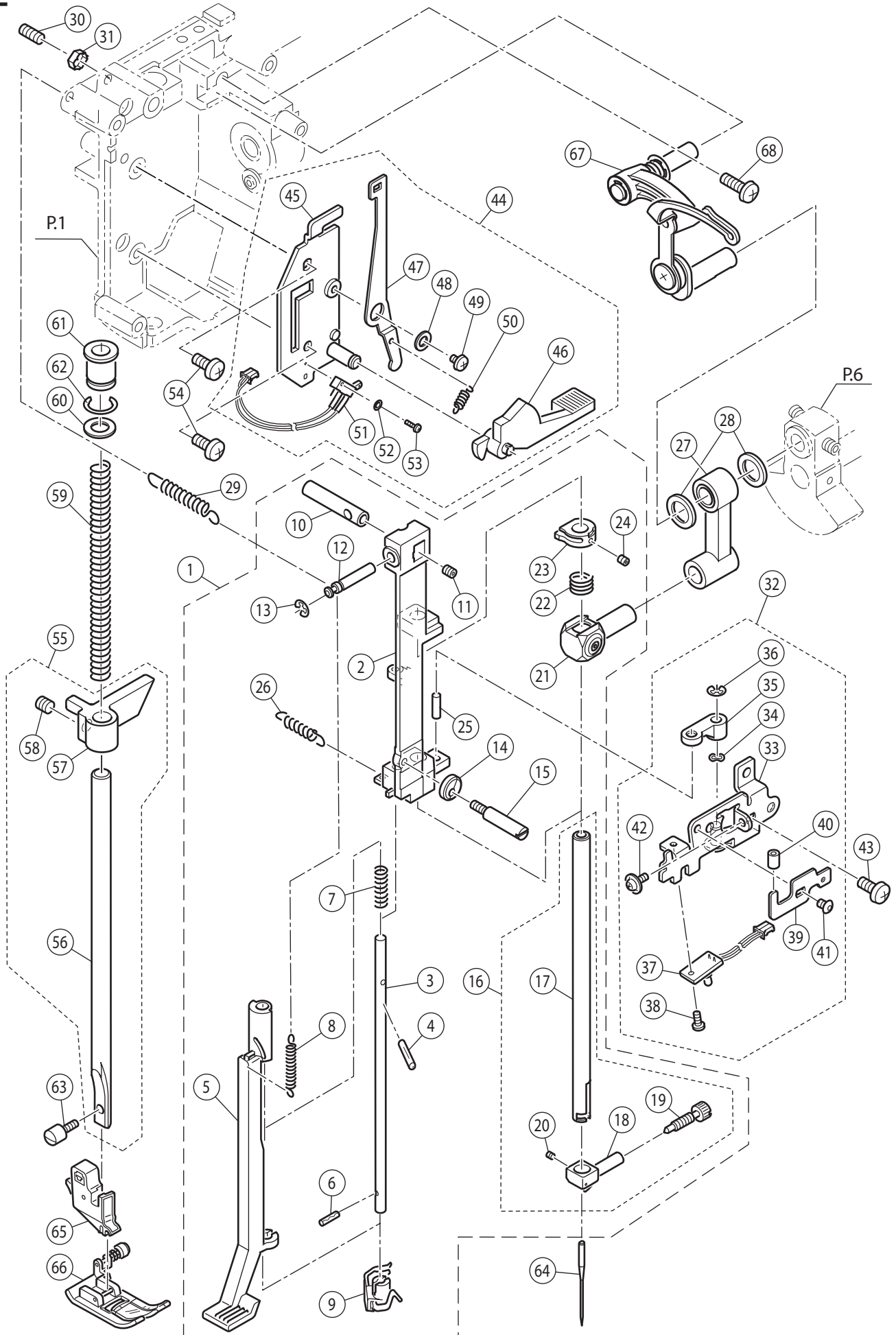
D



9985

| Pos. | Part No. | Description |
|------|-------------|----------------------|
| 1 | 416787301 | Unit Cover Assy. |
| 3 | 68001540 | Thread Guide |
| 9 | 68002912 | Spool Stand |
| 13 | 412610701 | Felt |
| 15 | 416792101 | Thread Tension Cover |
| 18 | 68001559 | Thread Cap |
| 19 | 270 HP33019 | Handle |

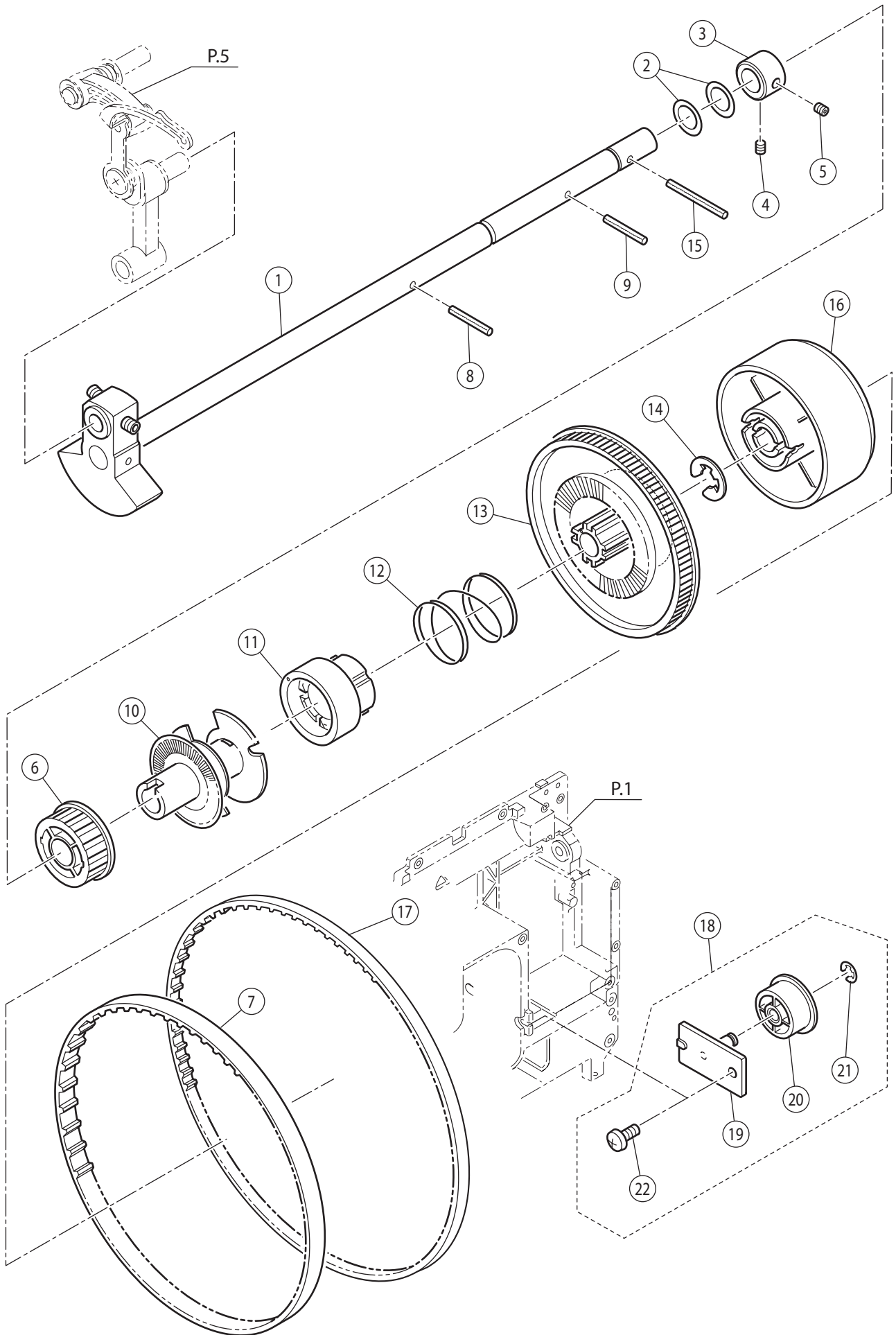
E



9985

| Pos. | Part No. | Description |
|------|---------------|----------------------------------|
| 1 | 416709601 | Needle Bar Guide Assy. |
| 9 | 68002682 | Threader Hook Assy. |
| 16 | 416400101 | Needle Bar Assy. |
| 18 | 270 HP32098-2 | Needle Clamp Assy. |
| 19 | 68001689 | Needle Clamp Screw |
| 27 | 68001706 | Needle Bar Clank Rod Assy. |
| 32 | 416396301 | Z Link Bracket Unit |
| 37 | 416400001 | LED Circuit Board Set |
| 44 | 68002922 | Presser Foot Lifter Bracket Unit |
| 46 | 68002918 | Presser Foot Lifter |
| 51 | 68002919 | Presser Foot Switch Assy. |
| 55 | 68002923 | Presser Bar Assy. |
| 61 | 68002920 | Presser Bar Bush |
| 63 | 68002921 | Presser Foot Thumb Screw |
| 65 | 68002781 | Presser Foot Holder |
| 66 | 68002802 | Zigzag Foot |
| 67 | 68002691 | Thread Take-Up Lever Assy. |

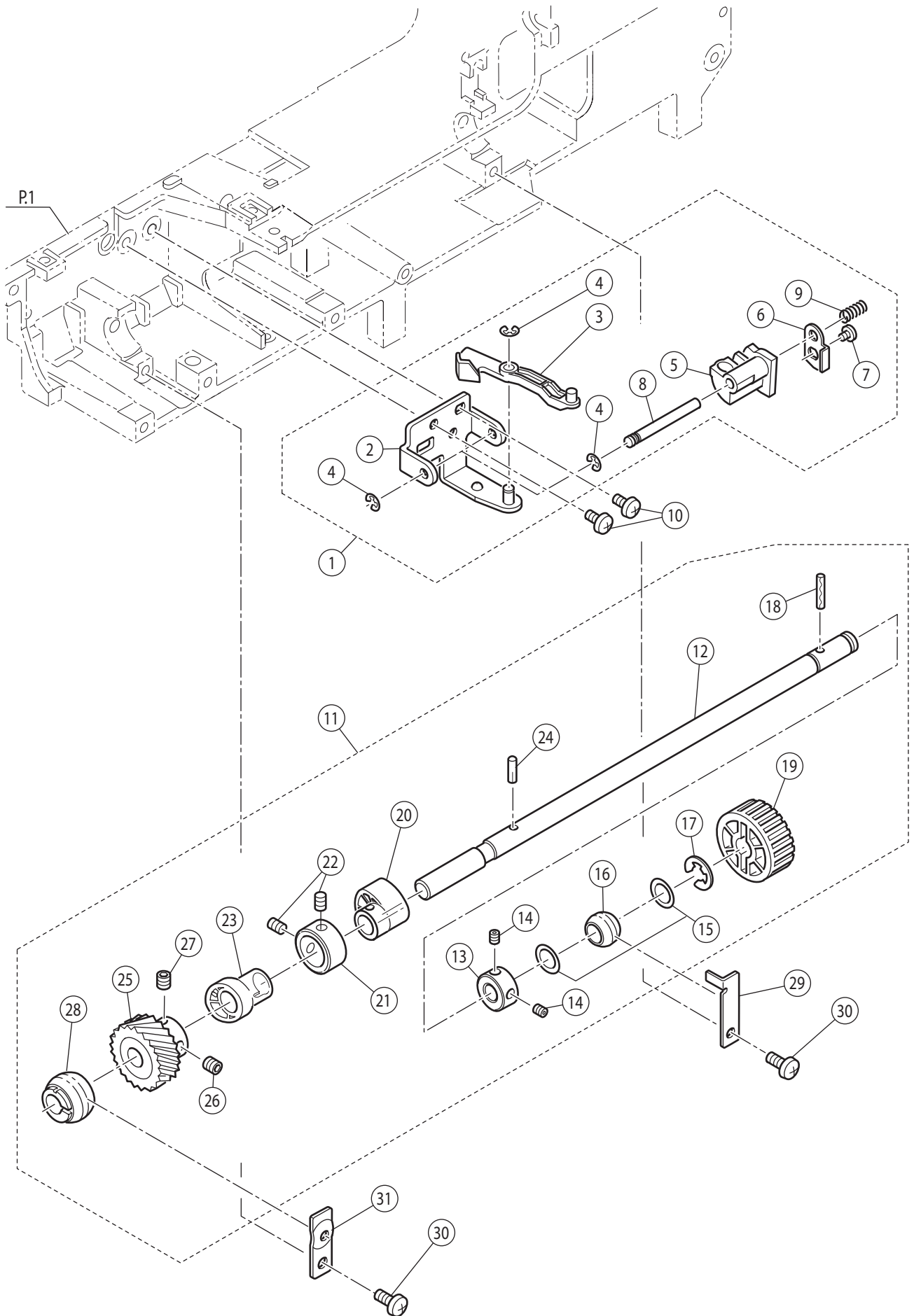
F



| Pos. | Part No. | Description |
|------|-----------|---------------------------|
| 1 | 416400201 | Upper Shaft Assy. |
| 6 | 68001199 | Upper Shaft Timing Pulley |
| 7 | 416400301 | Timing Belt (Upper Shaft) |
| 8 | 416400401 | Spring Pin |
| 9 | 68001326 | Spring Pin |
| 10 | 68001234 | STS Slit |
| 11 | 68001328 | Clutch Change Collar |
| 12 | 68001331 | Clutch Change Spring |
| 13 | 68001333 | Belt Wheel |
| 15 | 416400501 | Spring Pin |
| 16 | 416710501 | Hand Wheel |
| 17 | 68001340 | Timing Belt (Motor) |
| 18 | 68002928 | Belt Tension Assy. |

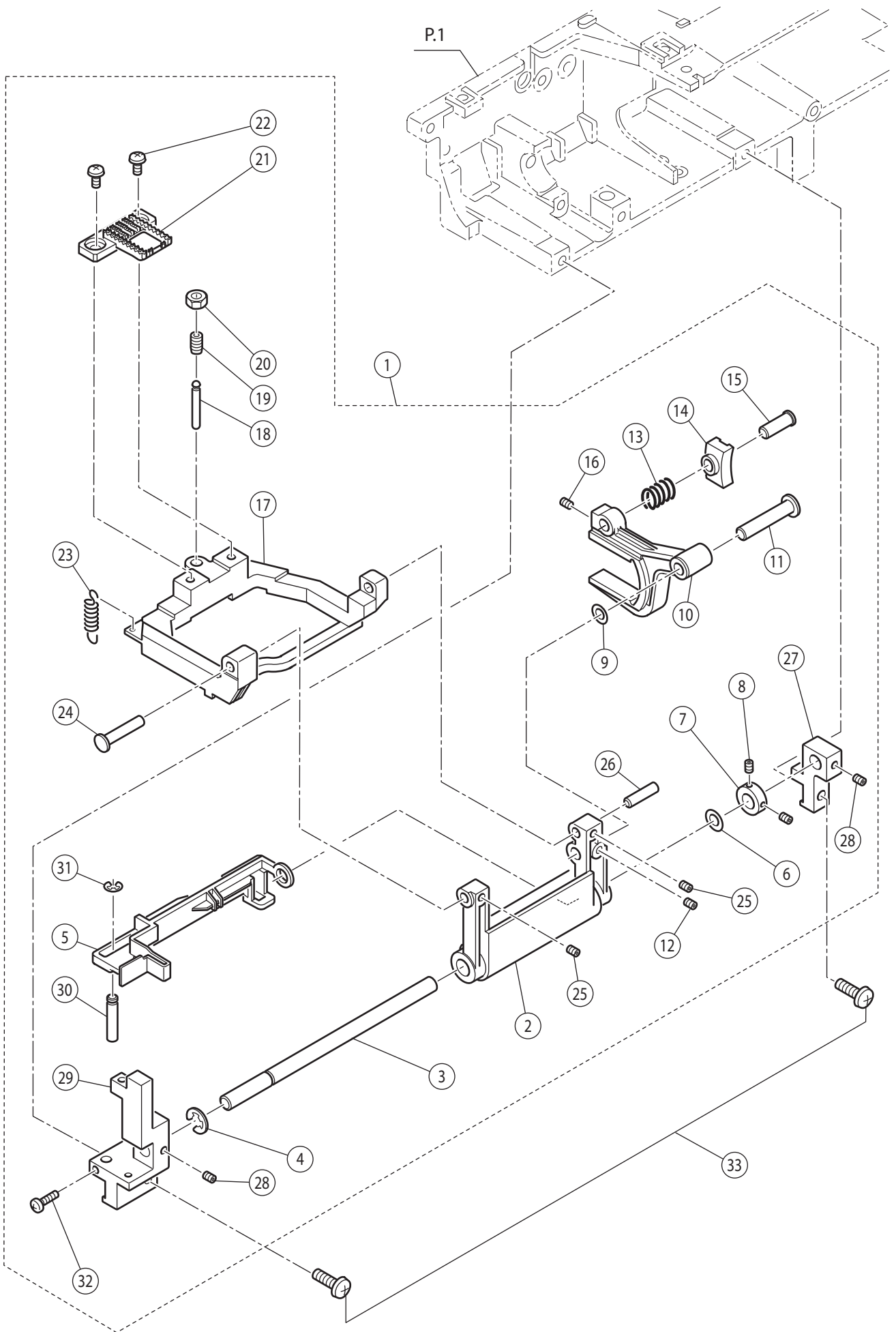
| Pos. | Part No. | Description |
|------|-------------|-----------------------------|
| 1 | 68002924 | Bobbin Winder Assy. |
| 3 | 68001351 | Rubber Ring |
| 4 | 68002925 | Bobbin Winder Switch Assy. |
| 8 | 416789601 | Needle Plate Assy. |
| 11 | 412423701 | Thread Cutter |
| 22 | 416789501 | Bobbin Cover Plate |
| 23 | 270 HP32744 | Hook Race Unit |
| 33 | 416396801 | Bobbin Holder Stopper Assy. |
| 39 | 416790201 | Bobbin Holder Unit |
| 42 | 68001389 | Bobbin |
| 43 | 416789801 | Thread Cutter Assy. |
| 46 | 412423701 | Thread Cutter |
| 60 | 416792301 | Connector |
| 61 | 416792401 | Thread Cutter Harnes |

H



| Pos. | Part No. | Description |
|------|-----------|---------------------------------|
| 1 | 416400901 | Feed Rocking Cam Follower Assy. |
| 11 | 416788901 | Lower Shaft Assy. |

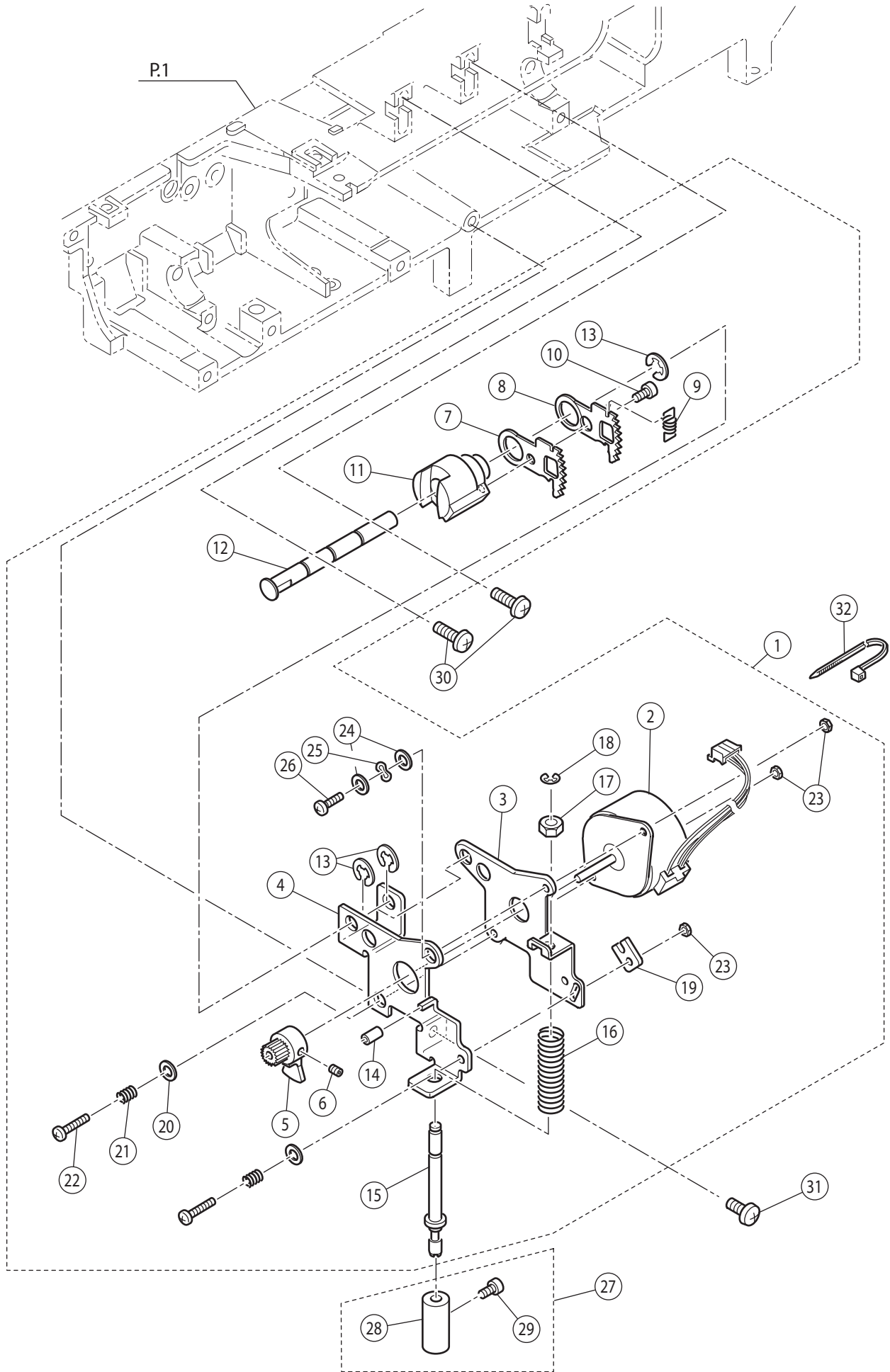
H



| Pos. | Part No. | Description |
|------|-----------|------------------|
| 1 | 416790001 | Feed Shaft Assy. |



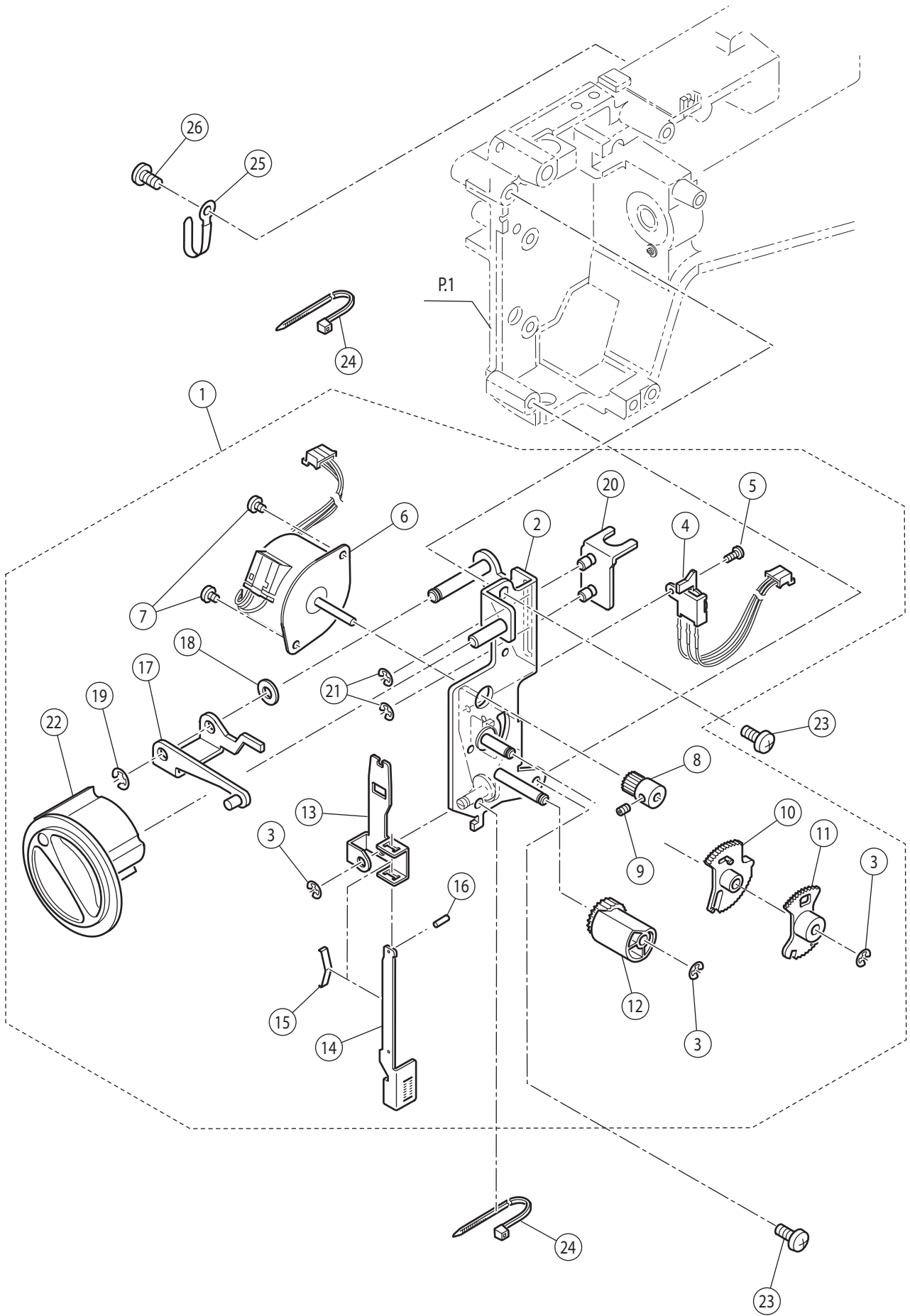
J



9985

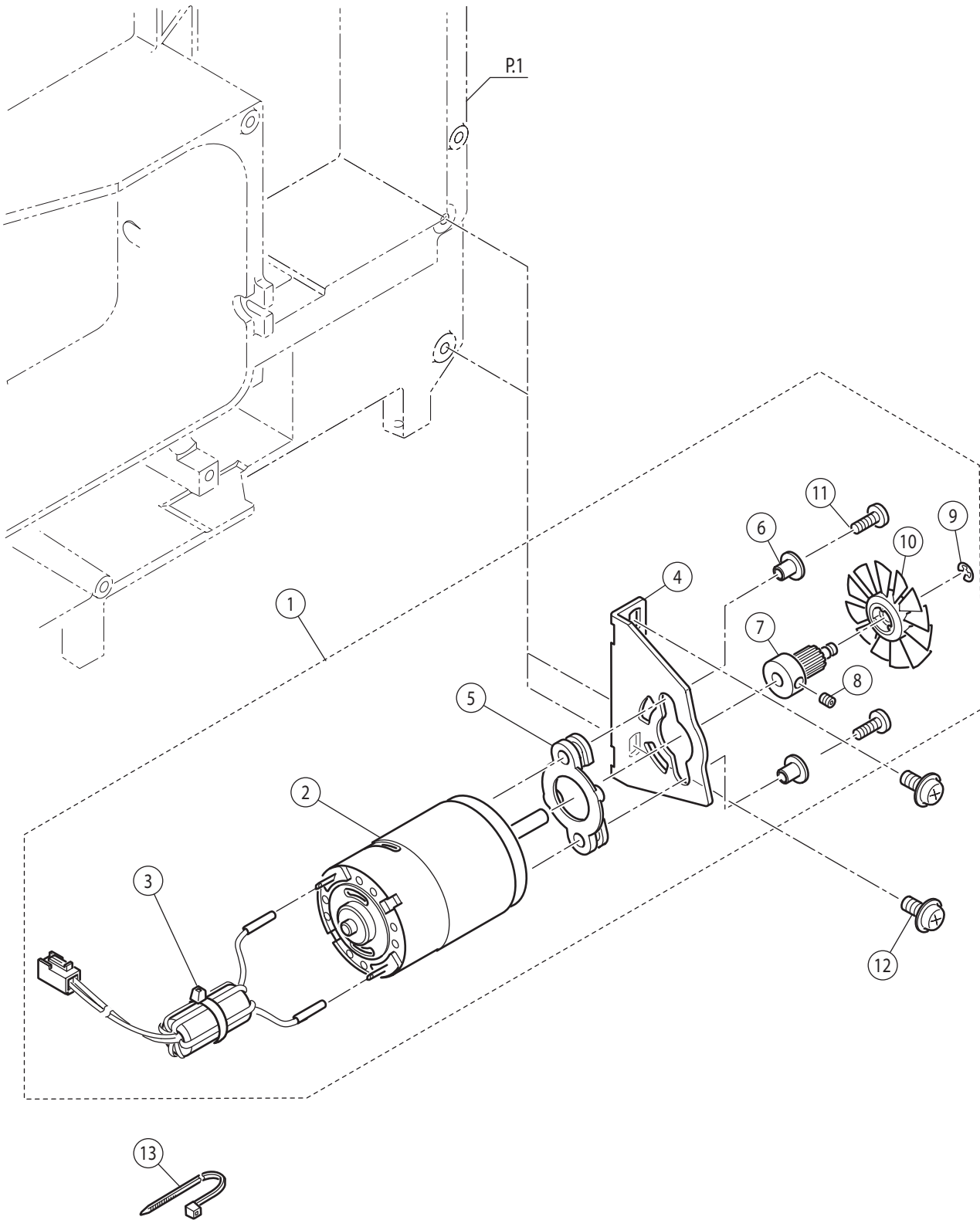
| Pos. | Part No. | Description |
|------|-----------|-----------------------------|
| 1 | 416398101 | F Pulse Motor Assy. |
| 27 | 416712001 | Fine Adjustment Shaft Assy. |

K



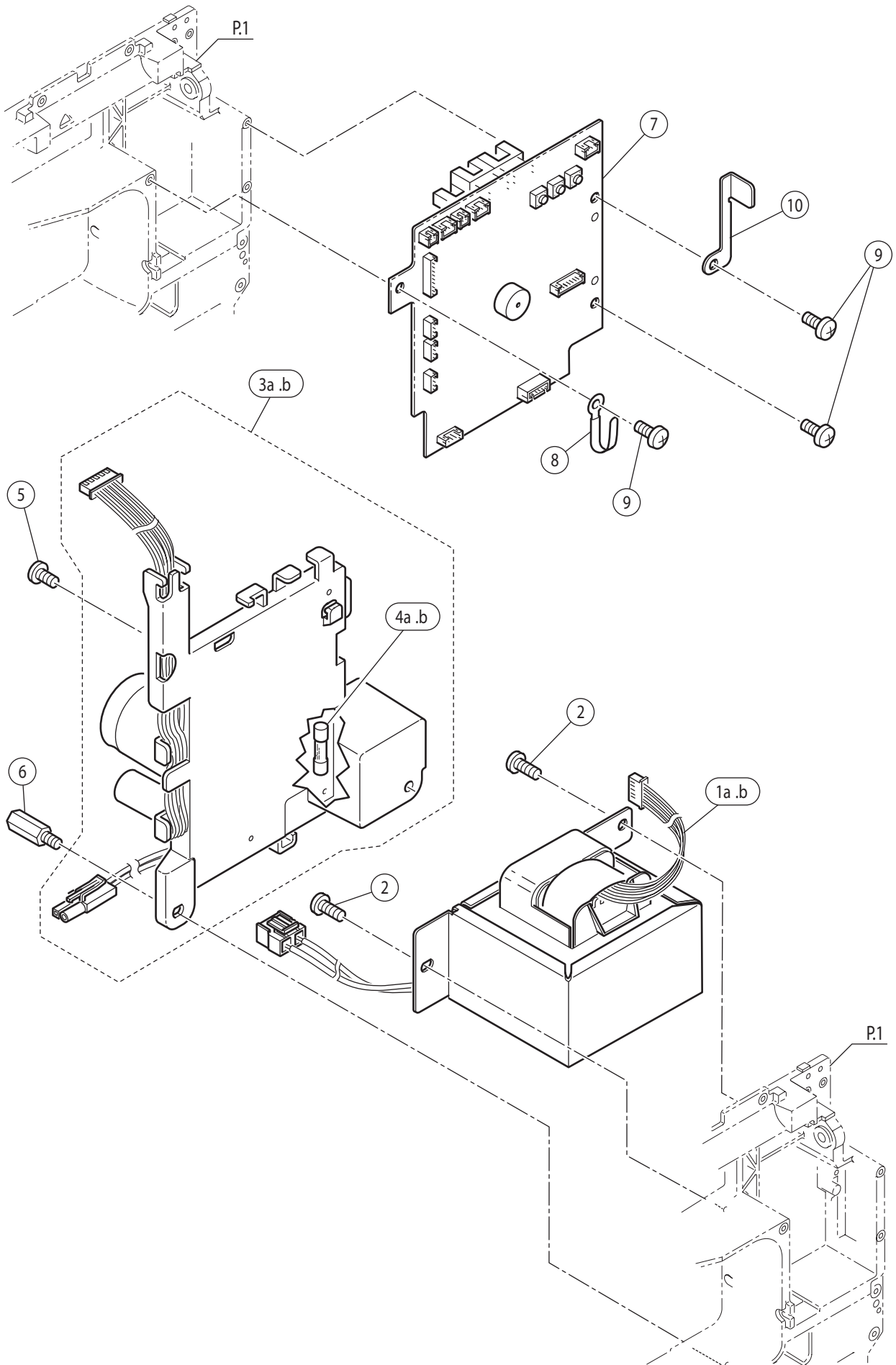
| Pos. | Part No. | Description |
|------|-------------|---------------------|
| 1 | 68003088 | Z Pulse Motor Assy. |
| 4 | 270 HP32910 | BH Switch Assy. |

L

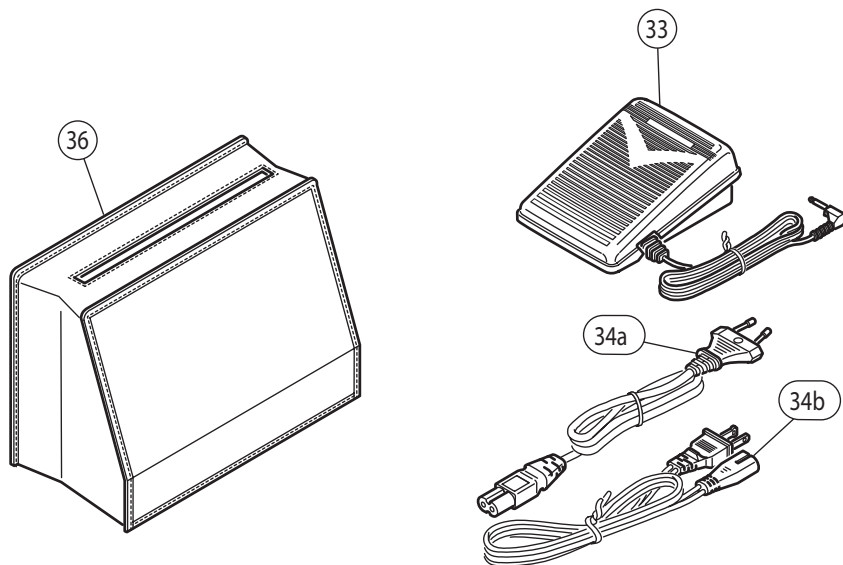
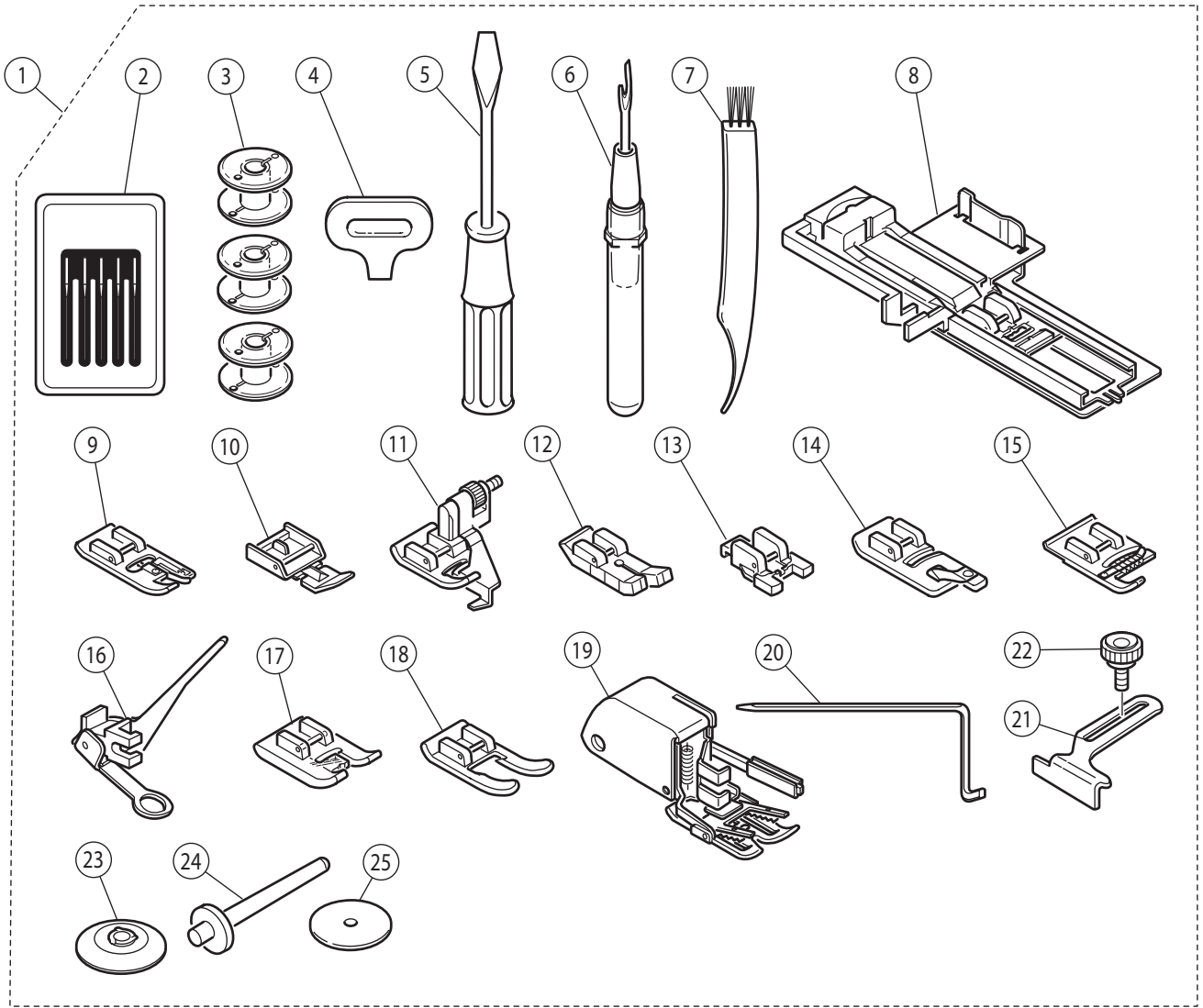


| Pos. | Part No. | Description |
|------|----------|-------------|
| 1 | 68002927 | Motor Assy. |

L



| <u>Pos.</u> | <u>Part No.</u> | <u>Description</u> |
|-------------|-----------------|--------------------------|
| 1a | 416402001 | Transformer (EU) |
| 1b | 416402101 | Transformer (USA) |
| 3a | 416401601 | Power Circuit Unit (EU) |
| 3b | 416401701 | Power Circuit Unit (USA) |
| 4a | 416401801 | Fuse (EU) |
| 4b | 416401901 | Fuse (USA) |
| 7 | 416790702 | C.P.U. Board Assy. |



| <u>Pos.</u> | <u>Part No.</u> | <u>Description</u> |
|-------------|-----------------|-------------------------------|
| 1 | 416712901 | Accessory Set |
| 2 | 620098796 | Needle Set |
| 3 | 68001389 | Bobbin |
| 4 | 68001808 | Screw Driver for Needle Plate |
| 5 | 68001823 | Screw Driver (Large) |
| 6 | 68001822 | Stitch Ripper |
| 7 | 68001824 | Brush |
| 8 | 68002822 | Buttonhole Foot |
| 9 | 68002823 | Overcasting Foot |
| 10 | 416713001 | Zipper Foot |
| 11 | 68002824 | Blind Stitch Foot |
| 12 | 270 HP31461 | Quilting Foot |
| 13 | 270 HP34072 | Button Sewing Foot |
| 14 | 270 HP30685 | Narrow Hemming Foot |
| 15 | 416713301 | Cording Foot |
| 16 | 270 HP04195 | Darning/Embroidery Foot |
| 17 | 416713101 | Satin Stitch Foot |
| 18 | 270 HP33069 | Open Toe Foot |
| 19 | 270 HP31099-3 | Walking Foot |
| 20 | 68002828 | Quilting Guide |
| 21 | 270 HP33132 | Seam Guide |
| 22 | 270 HP33133 | Screw for Seam Guide |
| 23 | 68001821 | Thread Cap |
| 24 | 68001820 | Spool Stand |
| 25 | 412610701 | Felt |
| 33 | 270 HP31098-2 | Foot Controller |
| 34a | 412157801 | Power Cord (220V) |
| 34b | 412157903 | Power Cord (120V) |
| 34b | 412158002 | Power Cord (GB) |
| 36 | 270 HP33097 | Dust Cover Assy. |