

Parts List

Sewing Machines

9876 / 9876-1

9868 / 9868-1

9860 / 9860-1

9858 / 9858-1

9855 / 9855-1

9852 / 9853-1

9850 / 9852-1



© 2005 SINGER DO BRASIL
ALL RIGHTS RESERVED

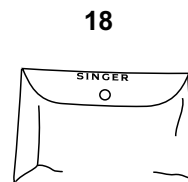
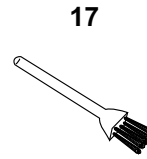
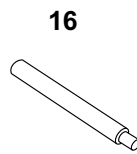
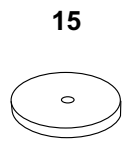
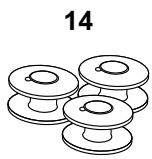
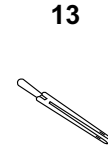
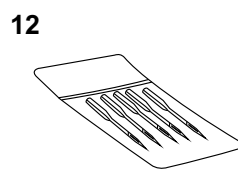
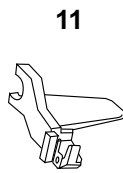
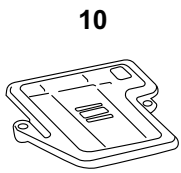
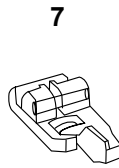
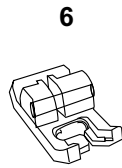
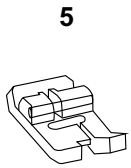
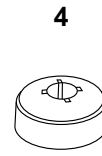
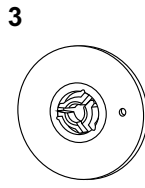
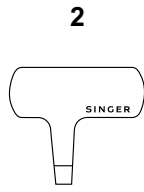
® A registered trademark of THE SINGER COMPANY LIMITED

Printed in Brazil

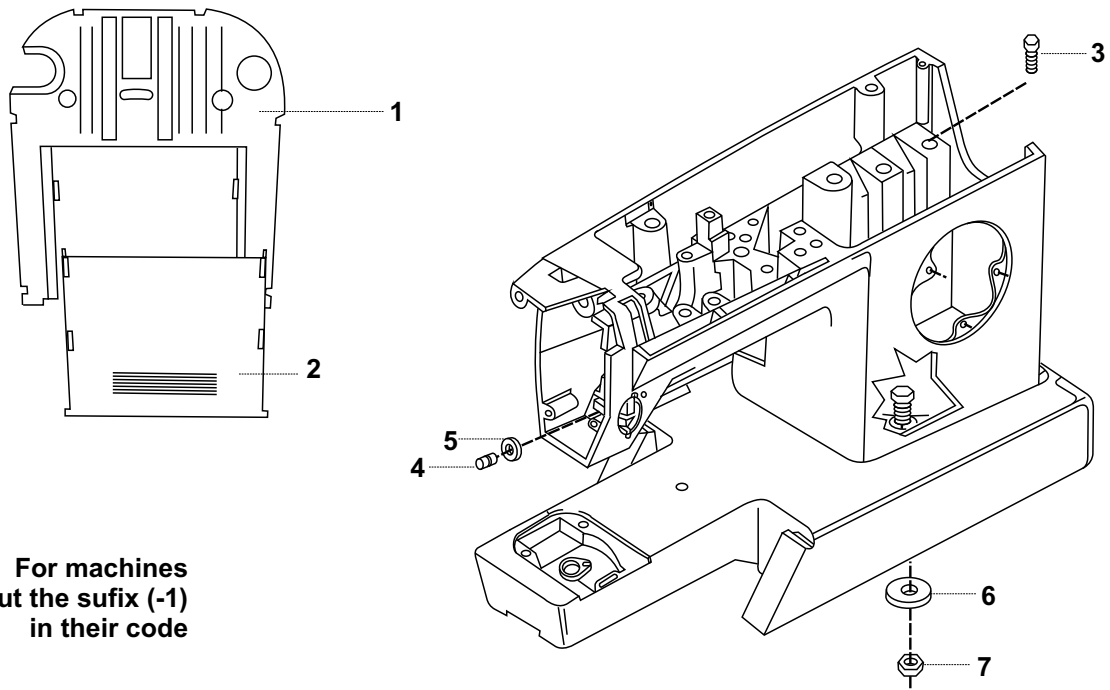
P/N 358491002 MAR/05

PARTS DESCRIPTION	PAGE
ATTACHMENT SET	02 to 03
ARM, BED, THROAT PLATE AND BED SLIDE	04 & 05
COVERS	06 to 15
THREAD TAKE-UP MECHANISM & AUTOMATIC NEEDLE THREADER	16 & 17
NEEDLE BAR	18 to 21
PRESSER BAR	22 & 23
ARM SHAFT DRIVER	24 & 25
HAND WHEEL	26 & 27
TENSION MECHANISM	28 & 29
HOOK SYSTEM	30 & 31
BIGHT AMPLITUDE	32 & 33
NEEDLE POSITION	34 & 35
PATTERN SELECTOR	36 & 37
CAM STACK	38 & 39
FEED REGULATOR CAM	40 & 41
BUTTONHOLE	40 & 41
CAM CONTROLLED FEED	42 & 43
FEED SYSTEM	44 to 47
ELECTRICAL EQUIPAMENT	48 & 49

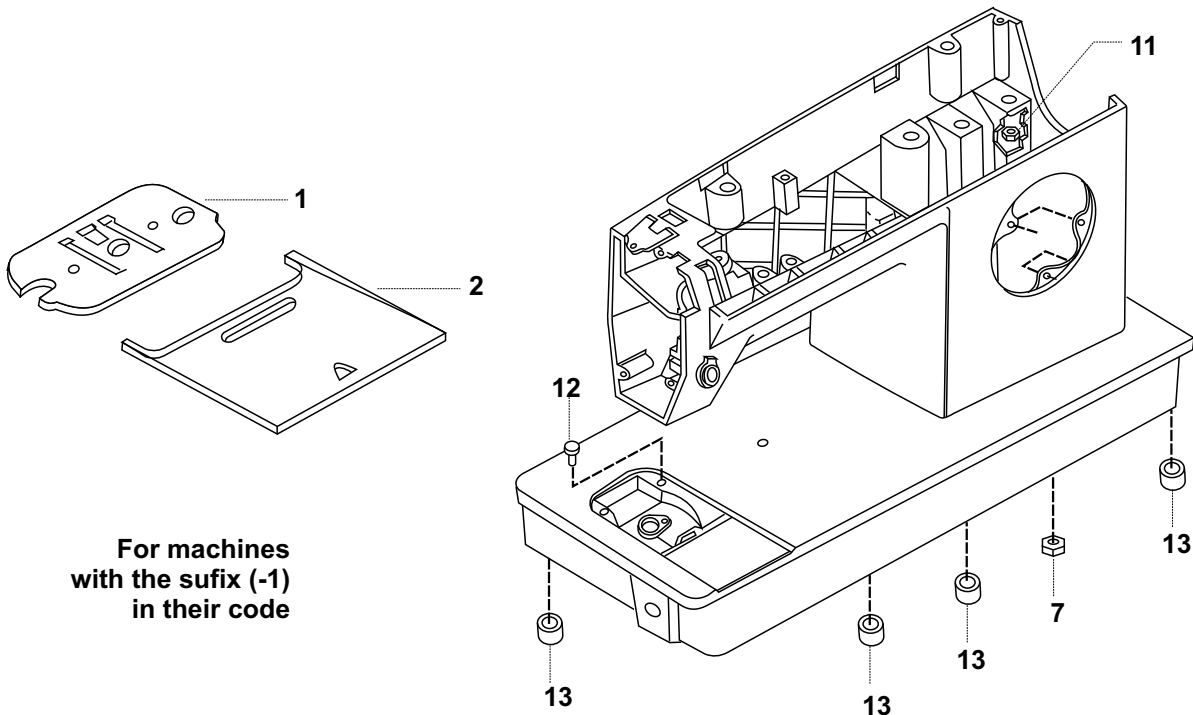
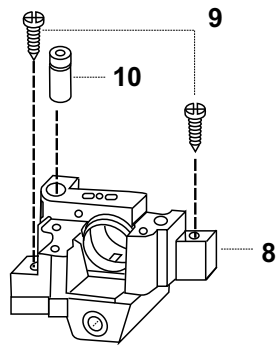
ATTACHMENT SET



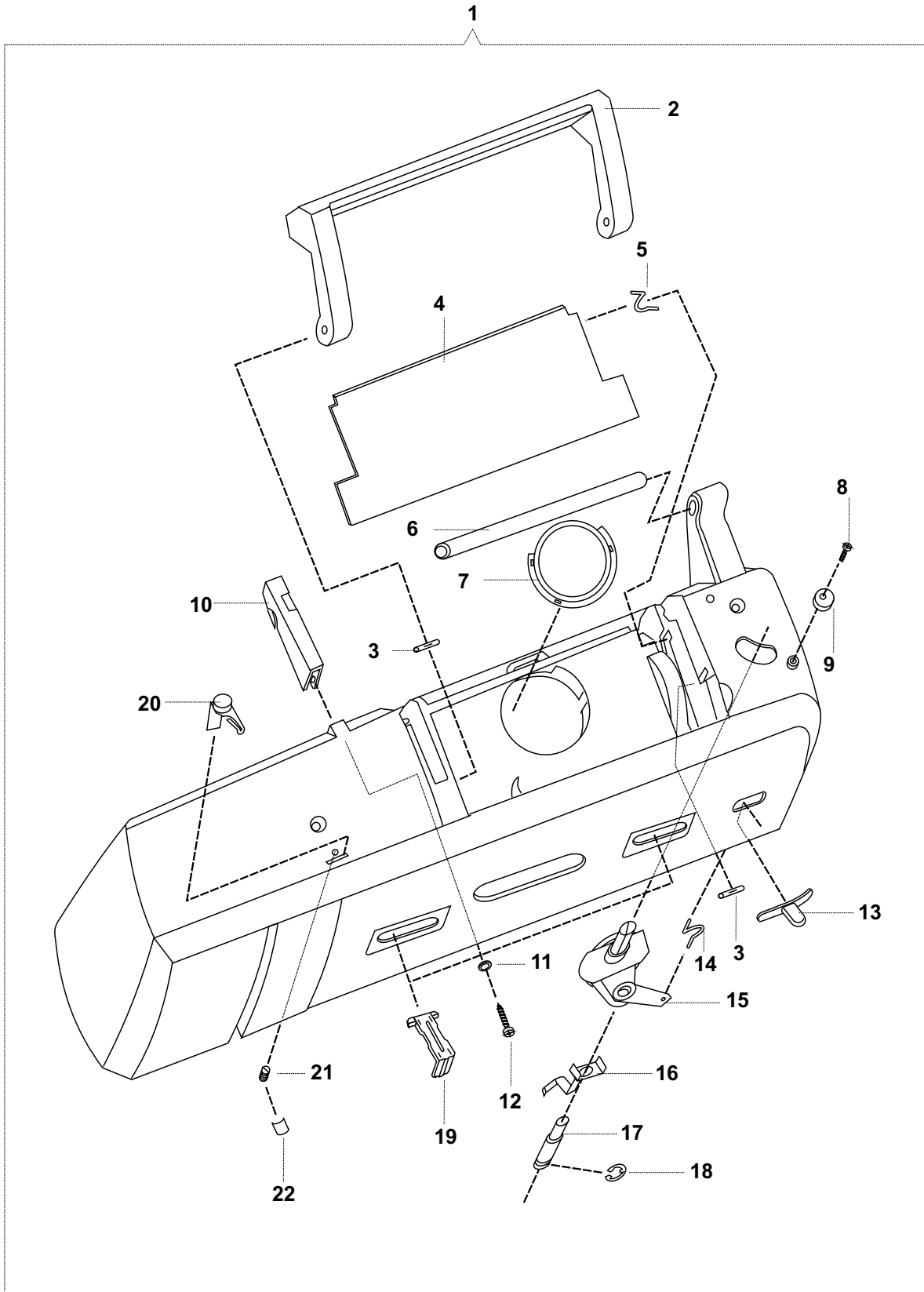
ARM, BED, THROAT PLATE AND BED SLIDE



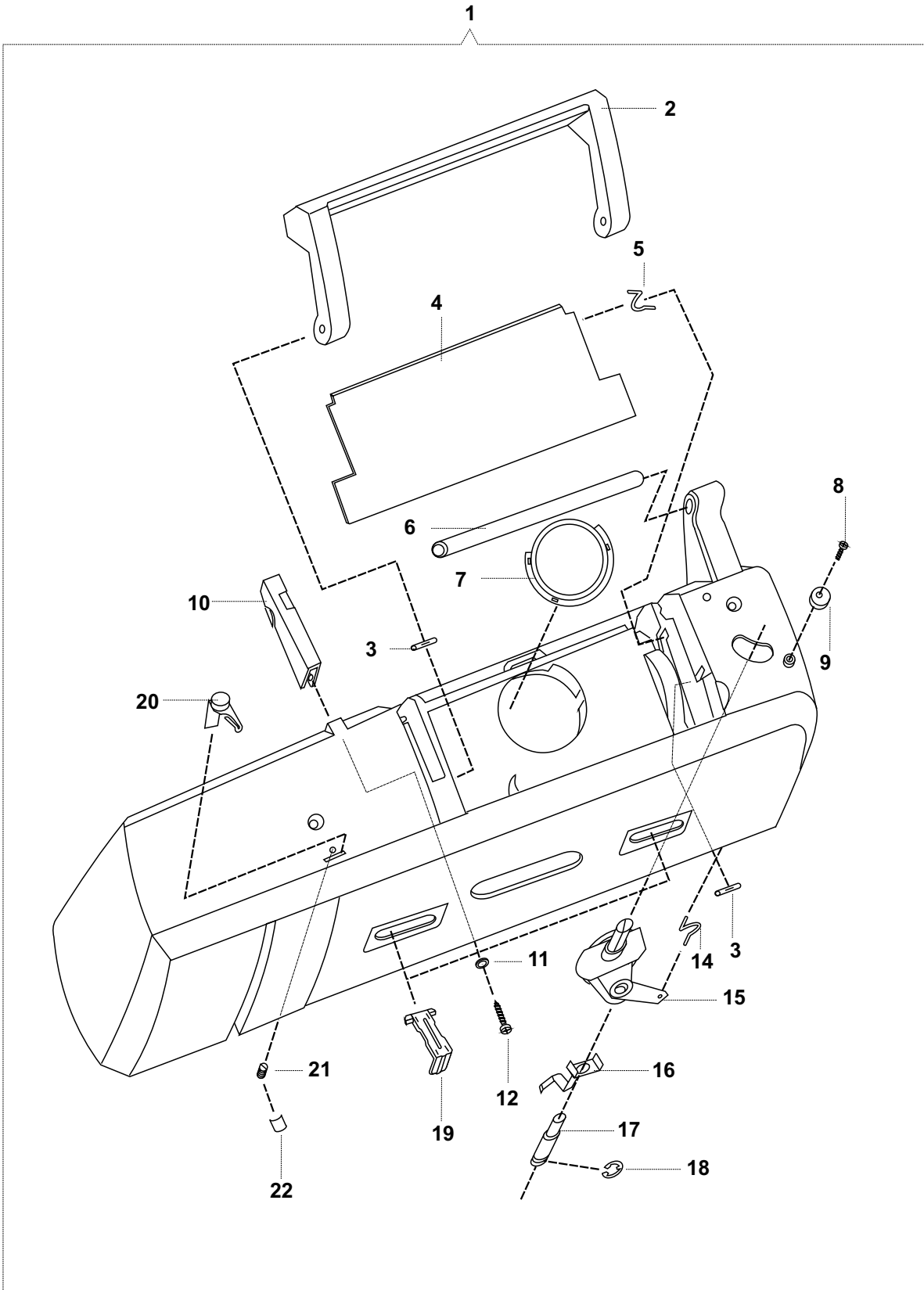
For machines
without the suffix (-1)
in their code



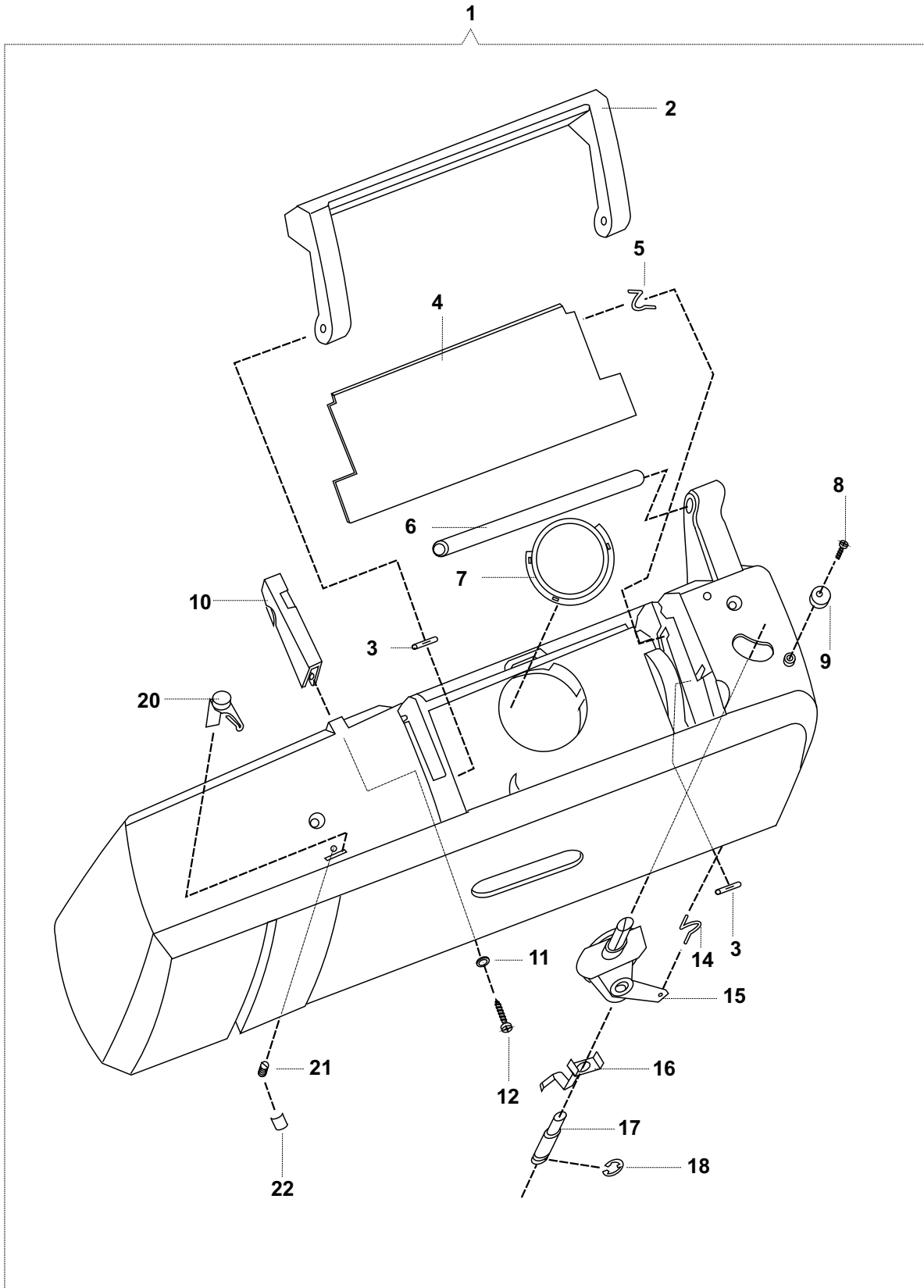
For machines
with the suffix (-1)
in their code



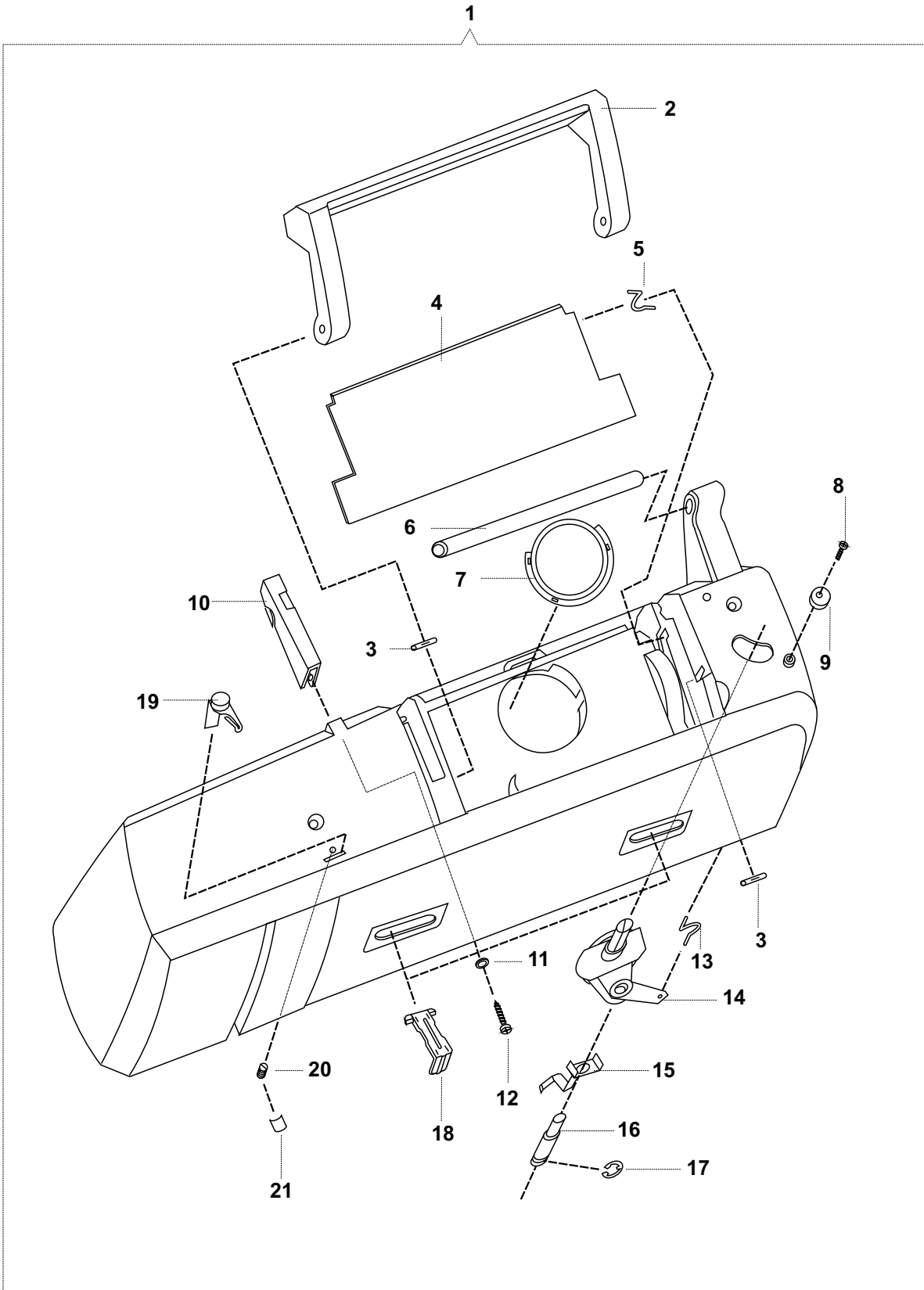
9876 / 9876-1
9868 / 9868-1
9860 / 9860-1



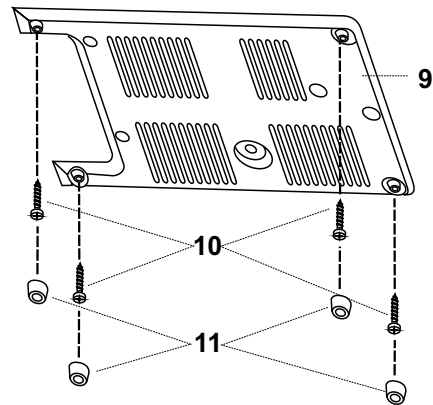
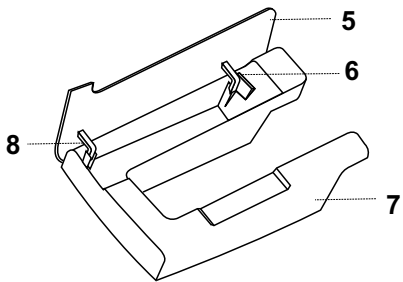
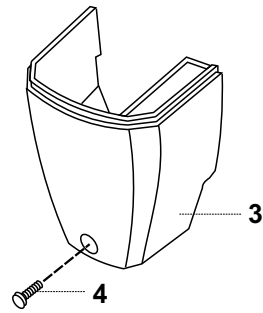
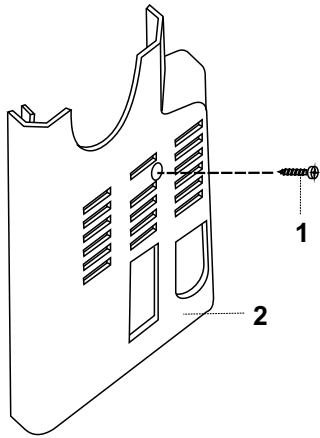
9855 / 9855-1

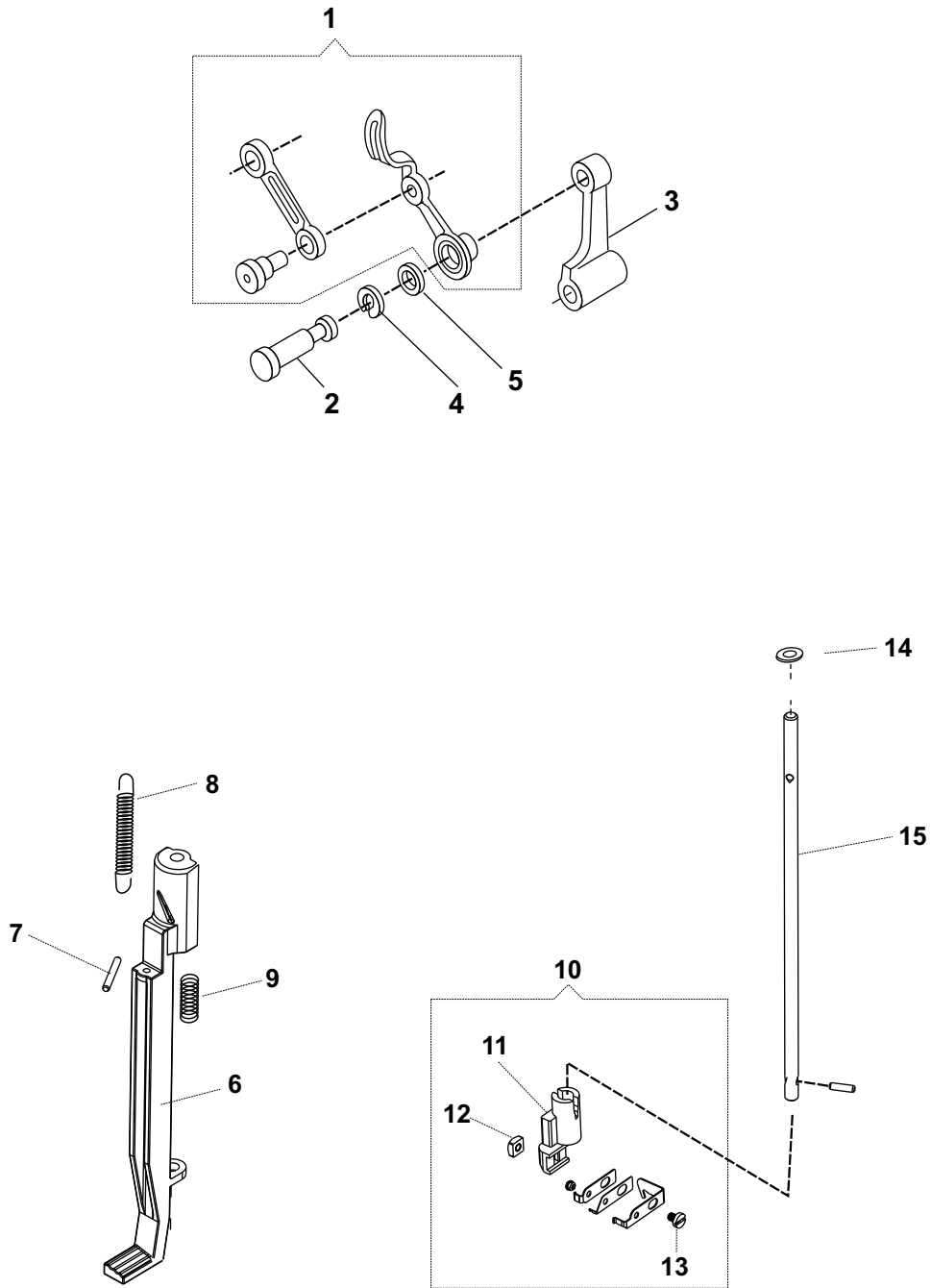


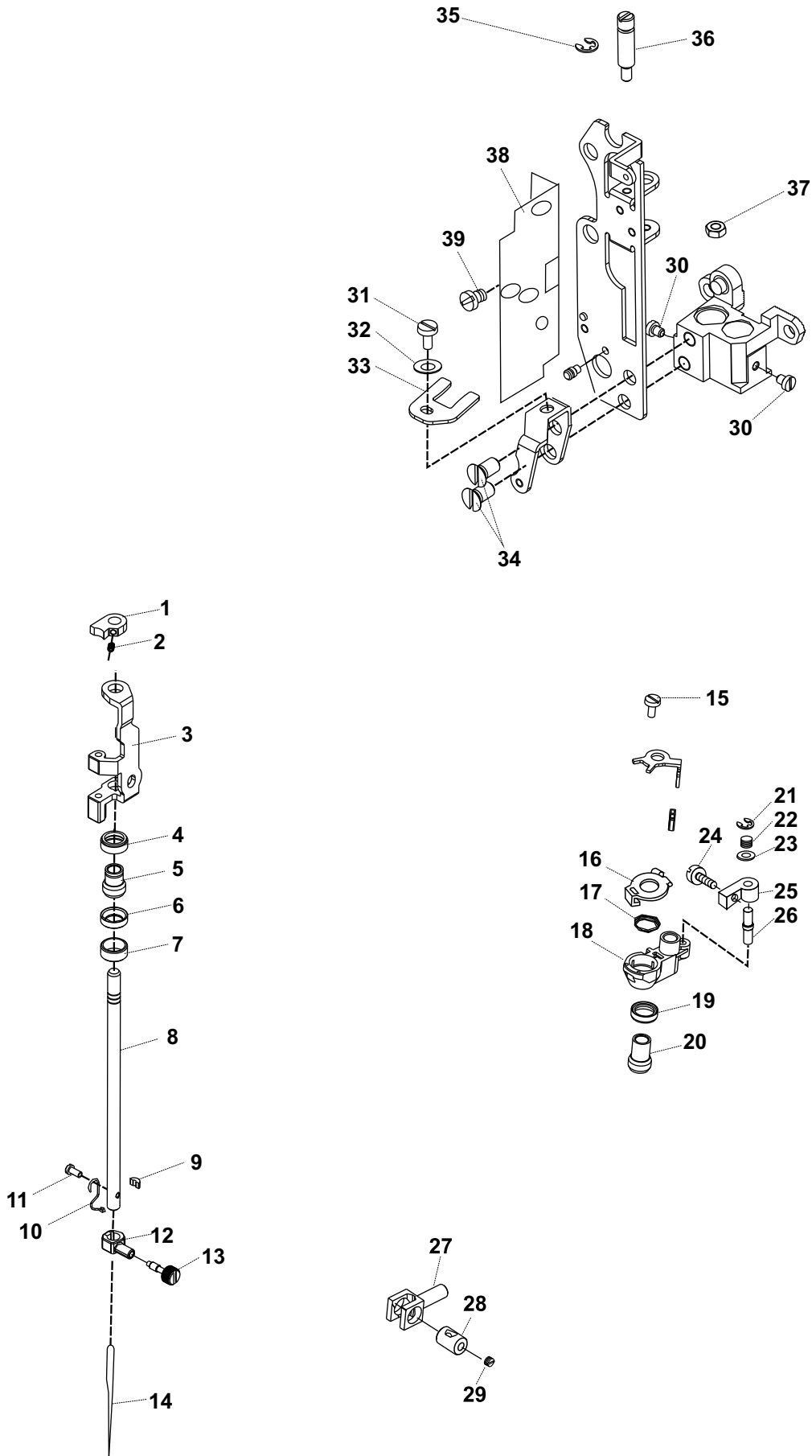
9858 / 9858-1



9852 / 9853-1
9850 / 9852-1

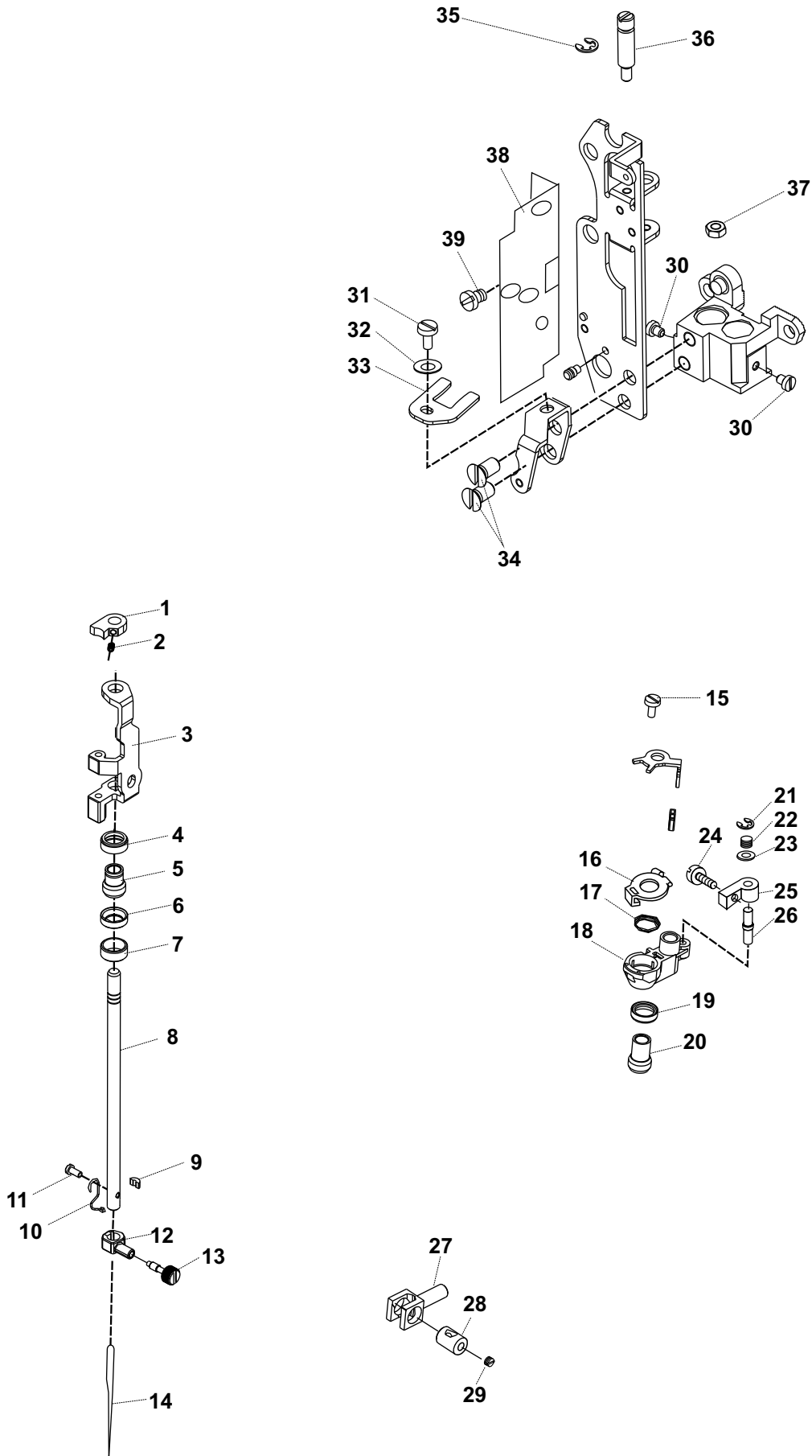




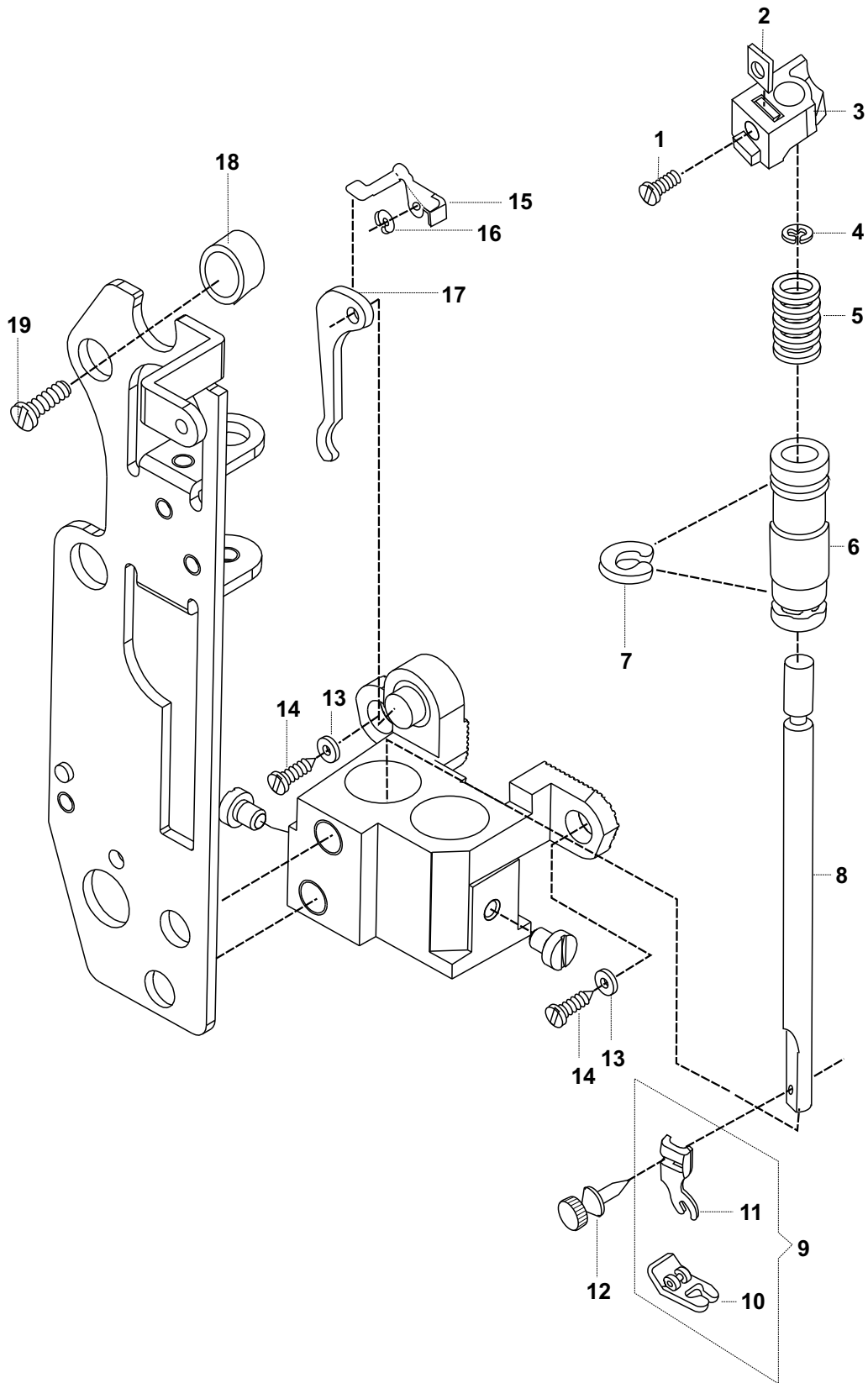


REF.	PARTS NUMBER	DESCRIPTION	9876/9876-1	9868/9868-1	9860/9860-1	9858/9858-1	9855/9855-1	9852/9853-1	9850/9852-1
01	357895900	Needle threader stop	•						
02	357921900	Needle threader stop screw	•						
03	357870900	Needle threader mechanism support	•						
04	357898901	Needle bar ball bushing (lower) socket	•	•	•	•	•	•	•
05	357899901	Lower ball bushing	•						
05	446355001	Lower ball bushing		•	•	•	•	•	•
06	357981900	Lower ball bushing collar	•						
06	357615000BUY	Lower ball bushing collar		•	•	•	•	•	•
07	446361001	Adjusting collar	•	•	•	•	•	•	•
08	357866900	Needle bar	•						
08	445793000	Needle bar		•	•	•	•	•	•
09	37943000	Needle bar gib	•	•	•	•	•	•	•
10	357421001	Thread guide	•	•	•	•	•	•	•
11	141920455	Thread guide screw	•	•	•	•	•	•	•
12	357429001	Needle clamp body	•	•	•	•	•	•	•
13	355248451	Needle clamp body screw	•	•	•	•	•	•	•
14	204514100	Needle # 2045 - NBR14	•	•	•	•	•	•	•
15	354133453	Needle bar screw	•	•	•				
16	357871900	Vibrating bracket cover	•	•	•	•	•	•	•
17	357911900	Vibrating bracket cover spring	•	•	•	•	•	•	•
18	353521000	Vibrating bracket, complete	•	•	•	•	•	•	•
19	357615000	Upper ball bushing retainer	•	•	•	•	•	•	•
20	357897900	Upper ball bushing	•	•	•				
20	446355001	Upper ball bushing				•	•	•	•
21	179926000	Retaining ring	•	•	•	•	•	•	•
22	357504000	Needle bar driving arm hinge bracket spring	•	•	•	•	•	•	•
23	356830001	Support washer	•	•	•	•	•	•	•
24	354826451	Support screw	•	•	•	•	•	•	•
25	357503000	Needle bar driving arm hinge bracket	•	•	•	•	•	•	•
26	357502000	Support pin	•	•	•	•	•	•	•

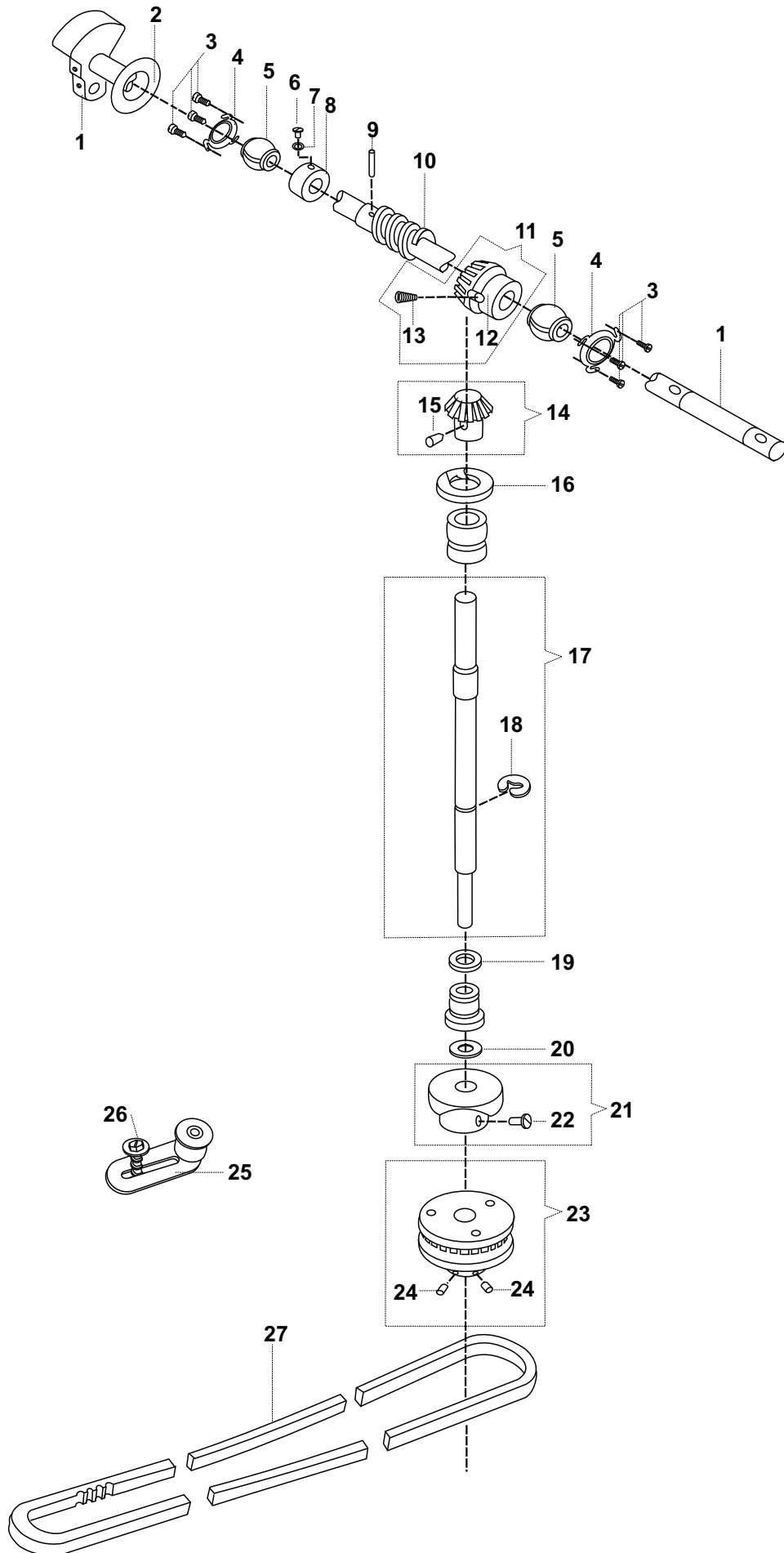
When you need a part number with the suffix (xxx), please indicate the machine model where will be used.

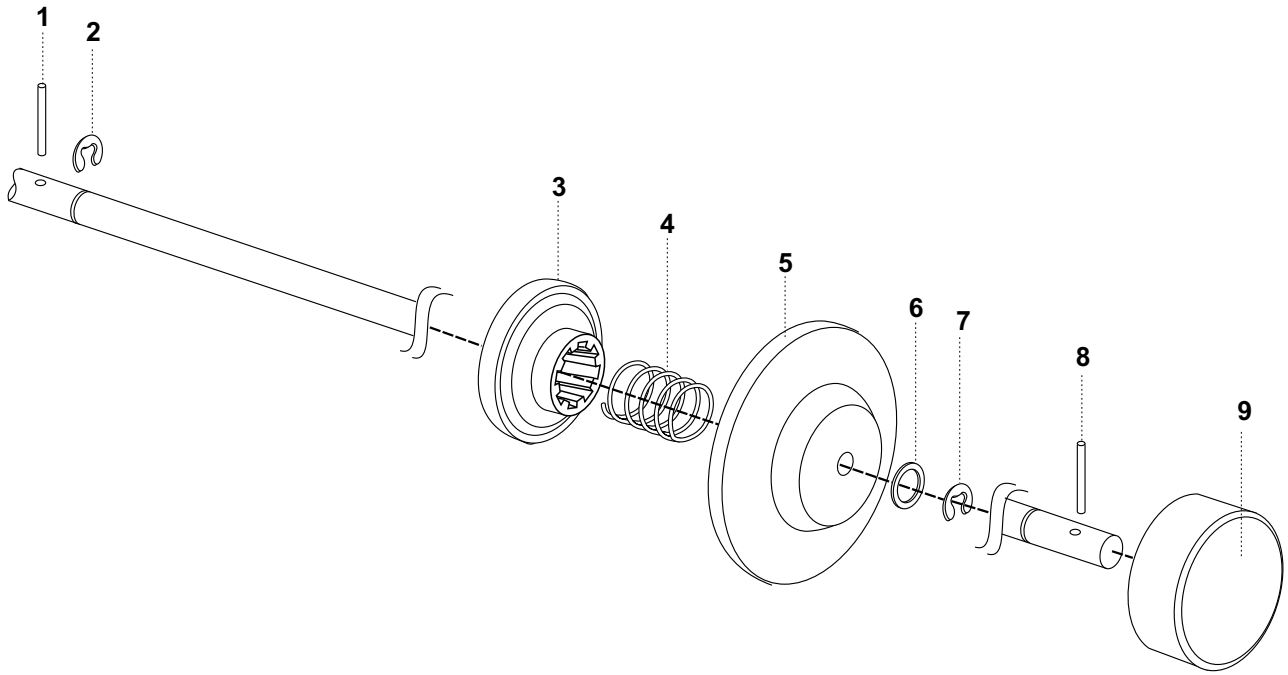


PRESSER BAR

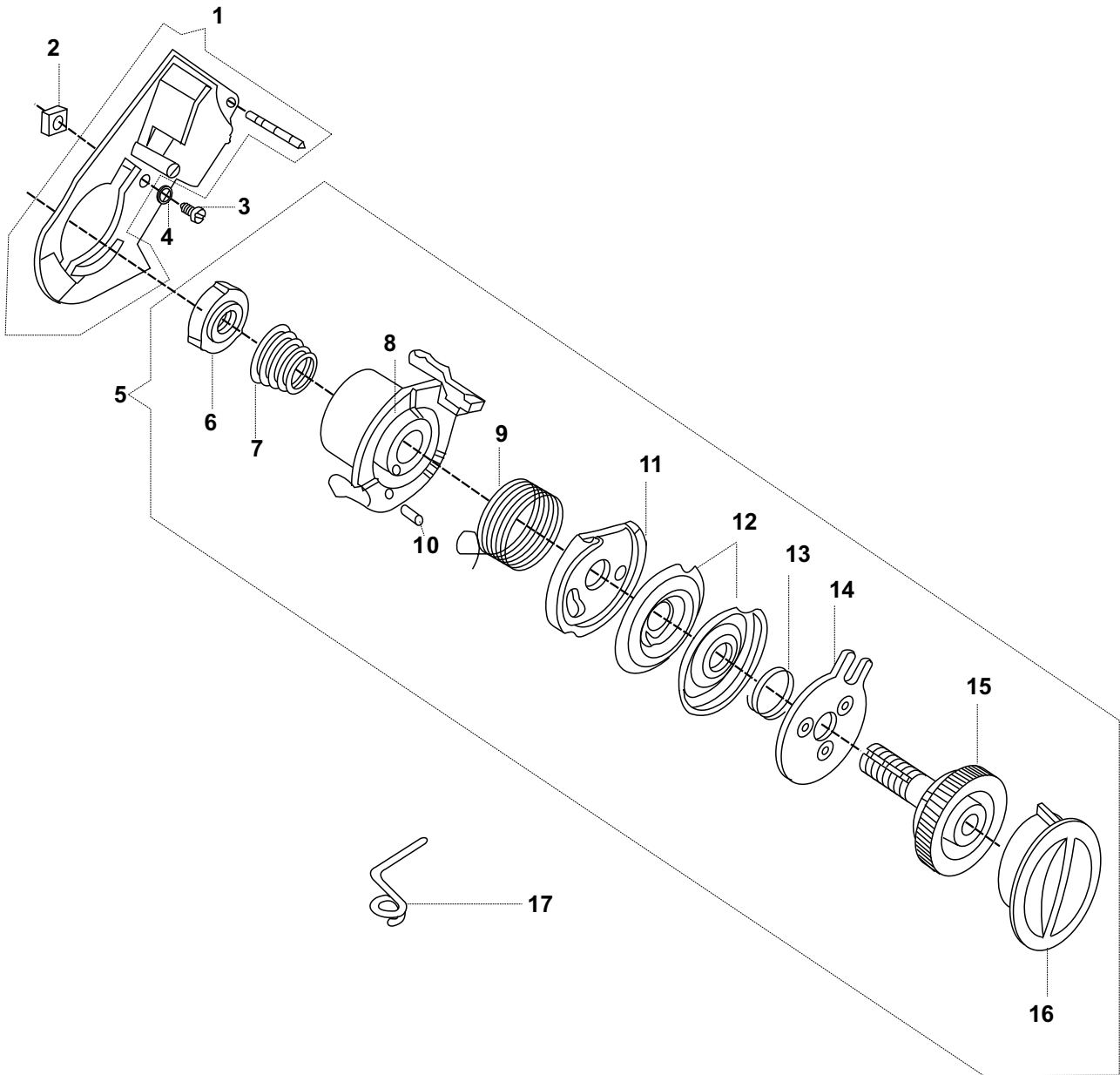


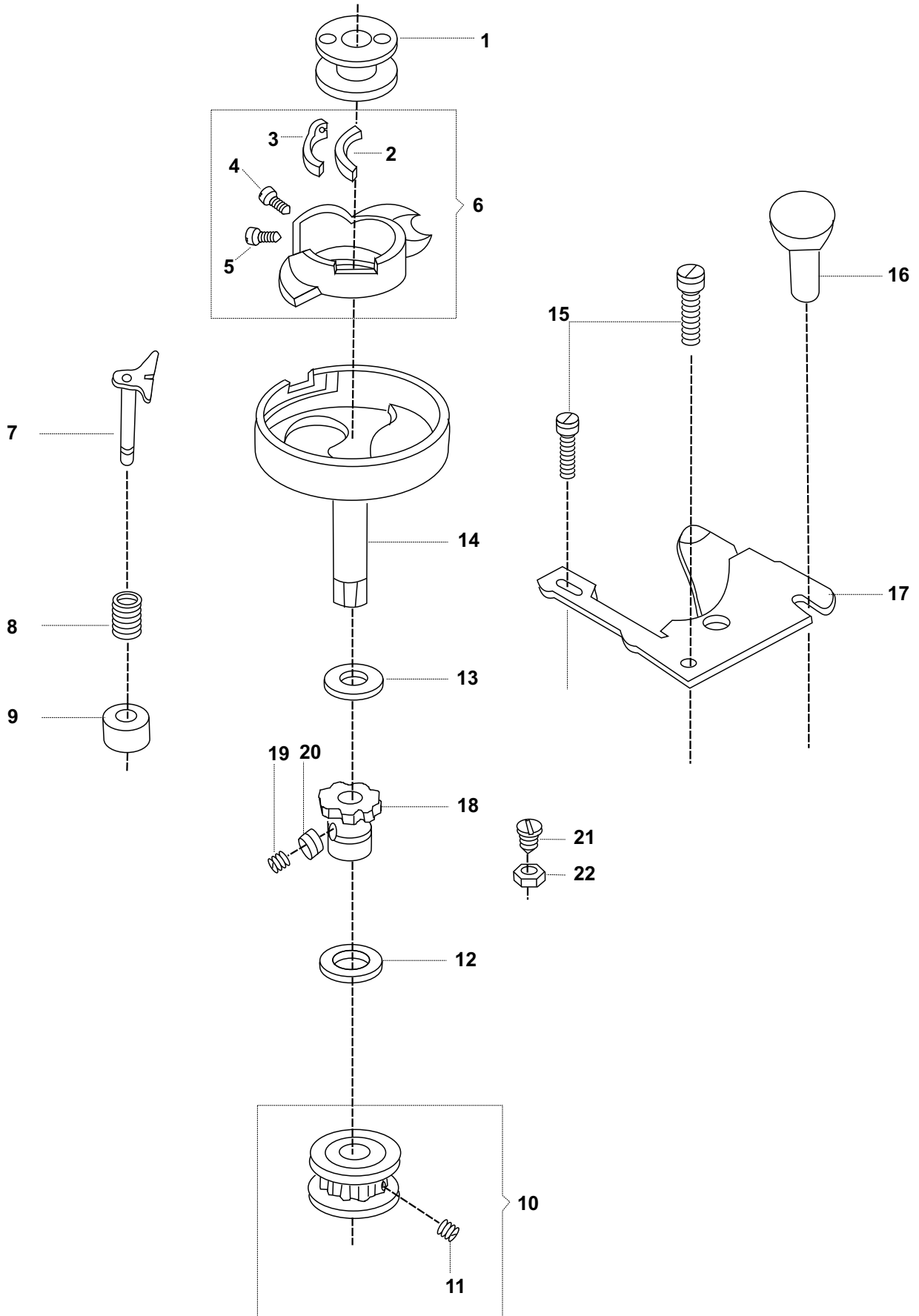
ARM SHAFT DRIVER

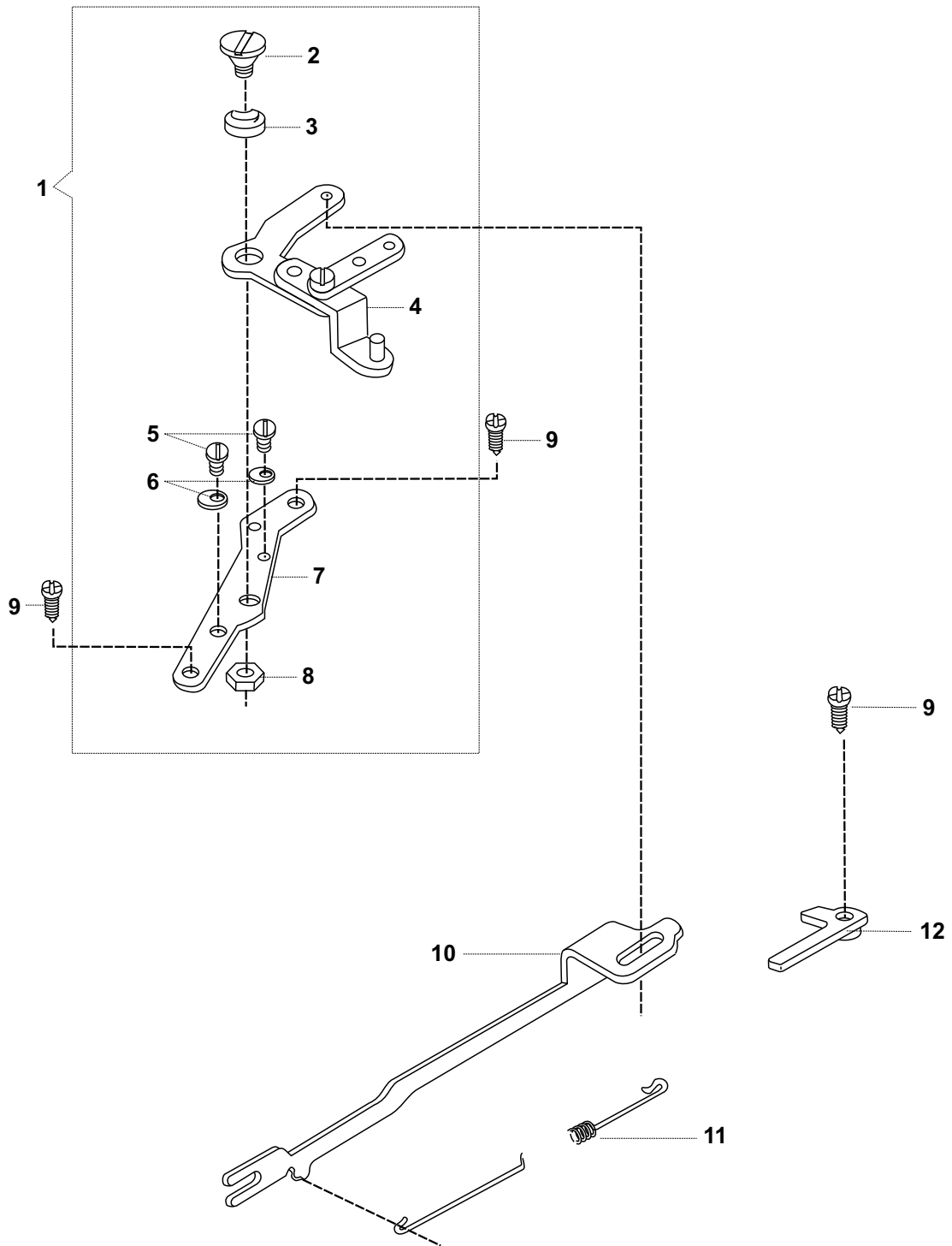




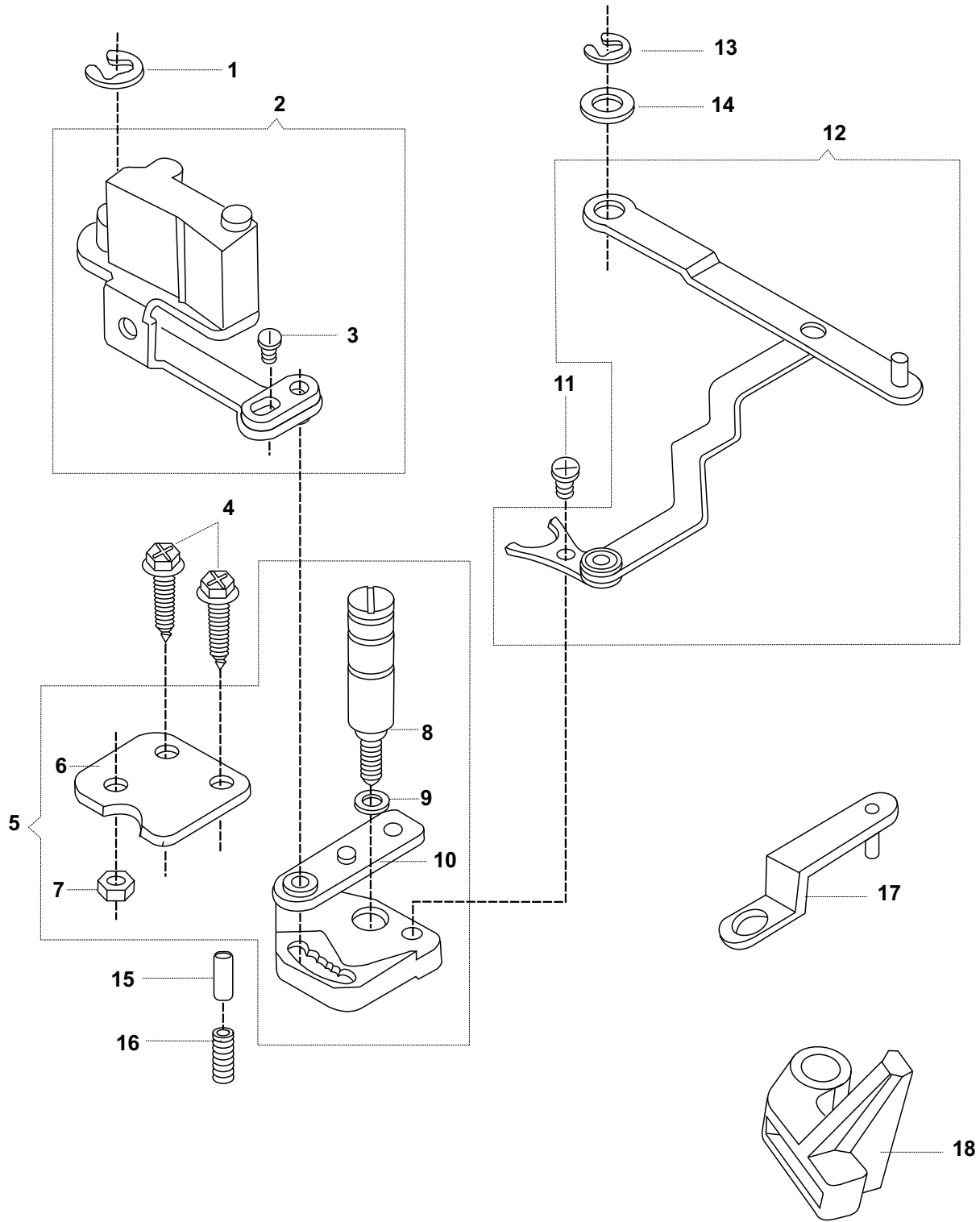
TENSION MECHANISM

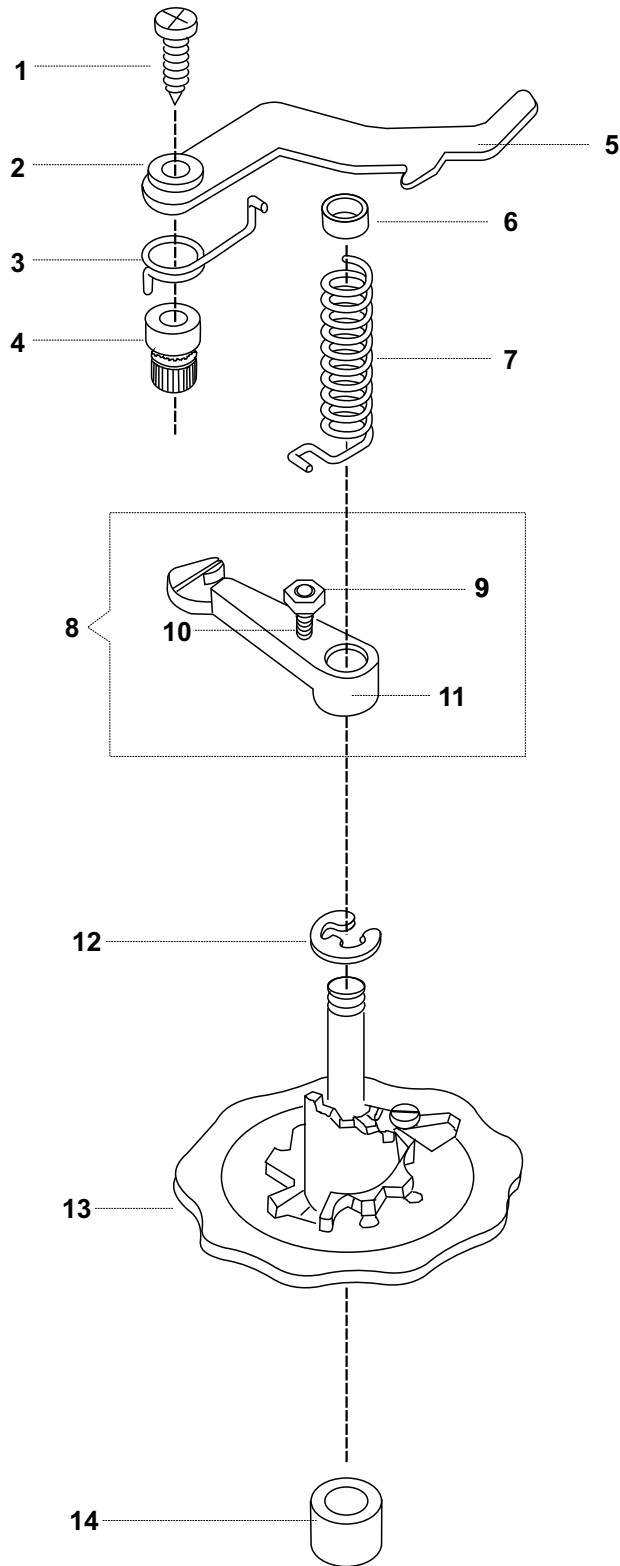


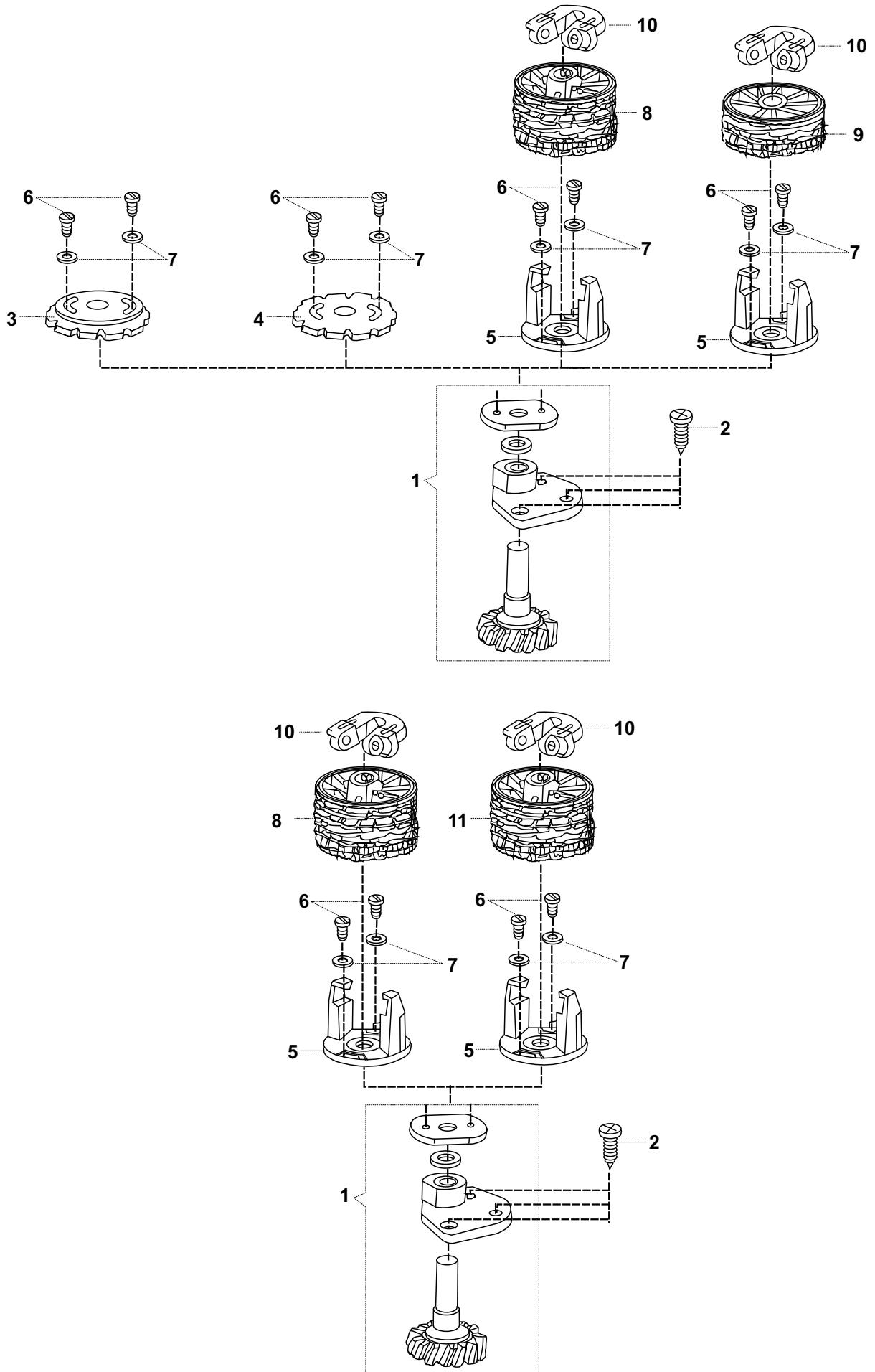




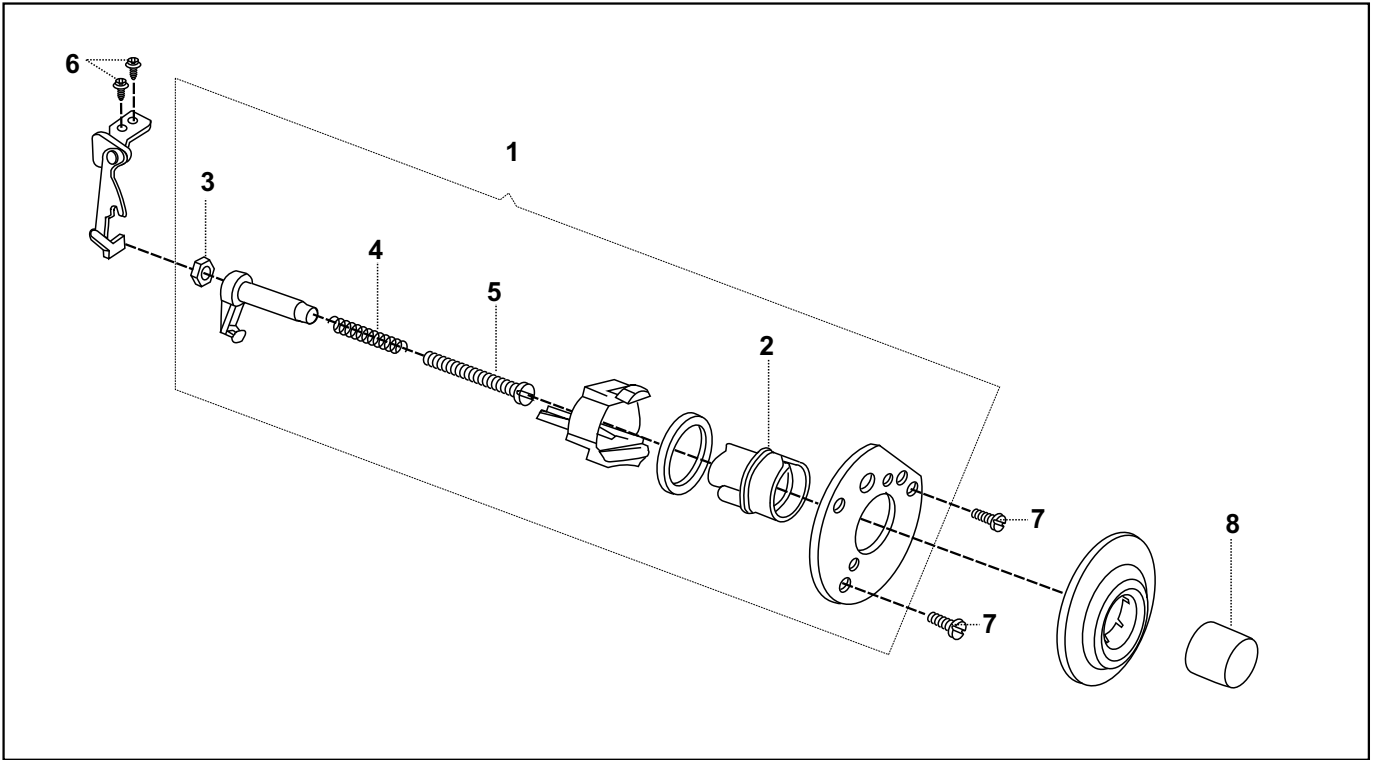
NEEDLE POSITION



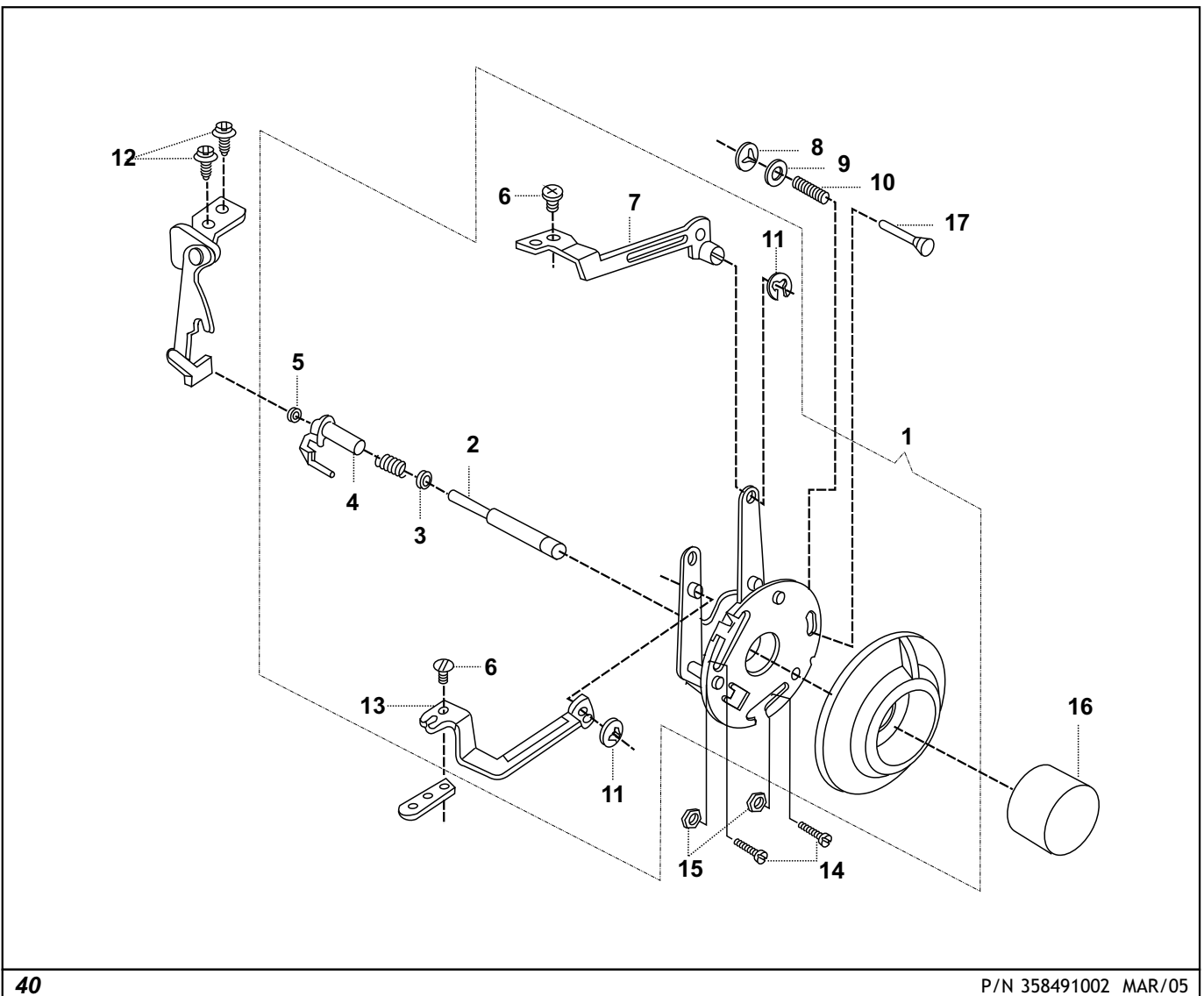




FEED REGULATOR CAM



BUTTONHOLER



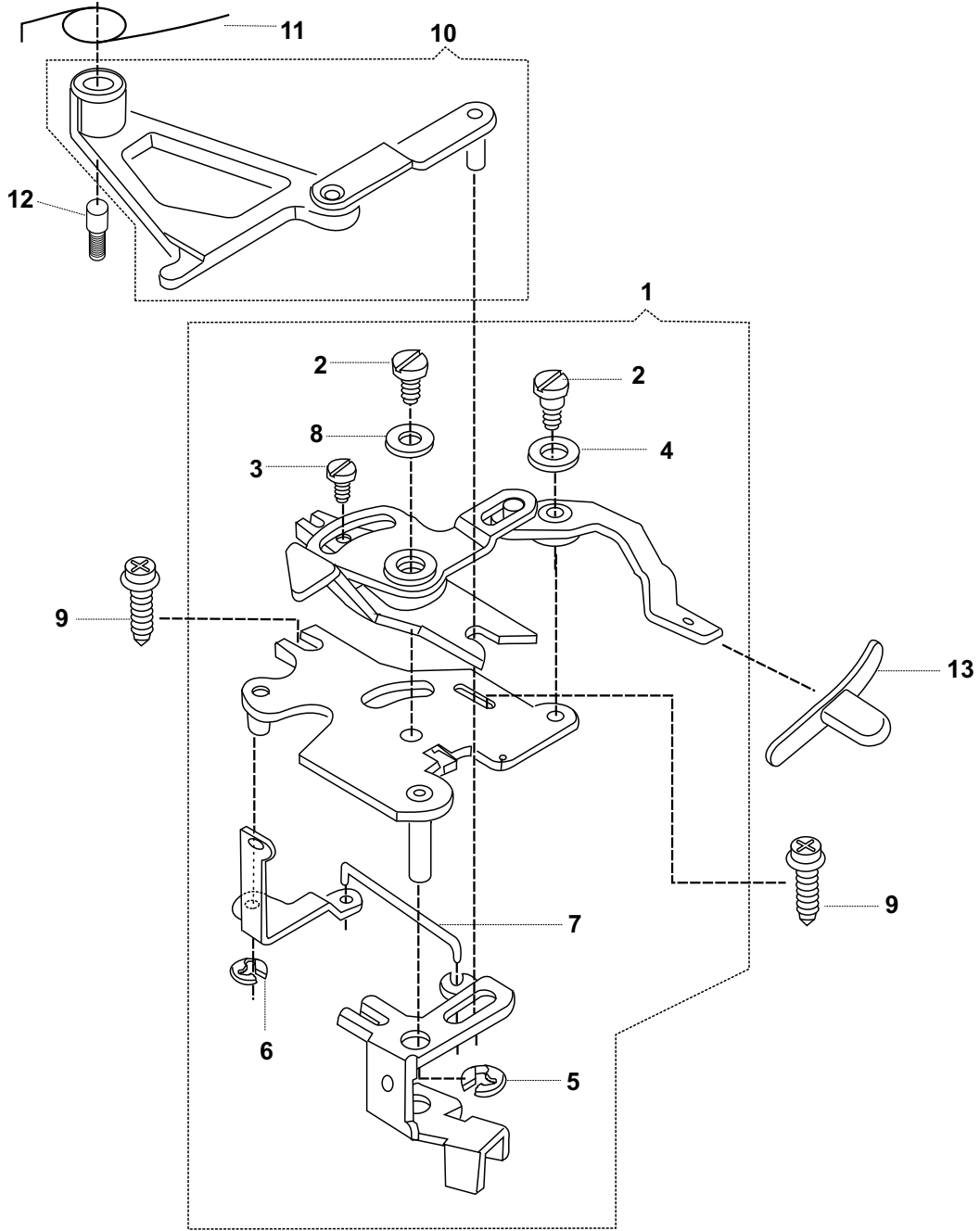
FEED REGULATOR CAM

REF.	PARTS NUMBER	DESCRIPTION	9876/9876-1	9868/9868-1	9860/9860-1	9858/9858-1	9855/9855-1	9852/9853-1	9850/9852-1
01	353478000	Control arm assembly				•			•
02	353477000	Feed regulator cam				•			•
03	618638005	Nut				•			•
04	44892000	Spring				•			•
05	354975451	Positioning screw				•			•
06	113455001	Arm mouting bracket screw				•			•
07	531806401	Plate screw				•			•
08	358313xxx	Reverse button				•			•

BUTTONHOLER

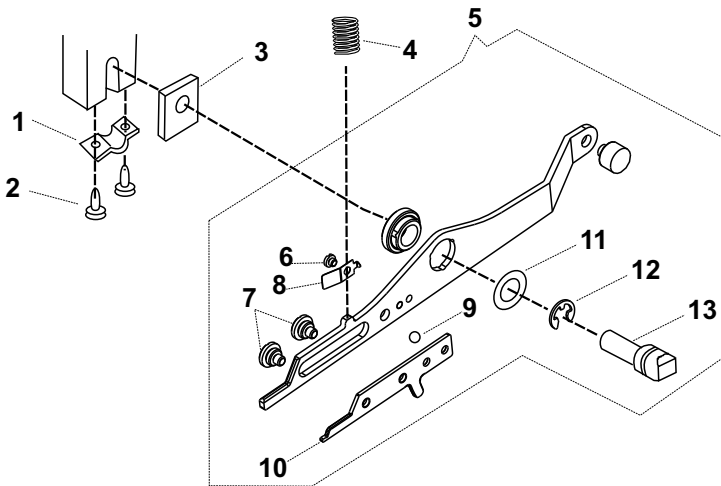
REF. NO DESENHO	Nº DA PEÇA OU CONJUNTO	DESCRIÇÃO	9876/9876-1	9868/9868-1	9860/9860-1	9858/9858-1	9855/9855-1	9852/9853-1	9850/9852-1
01	358415xxx	Buttonholer assembly	•	•	•		•	•	
02	356650000	Feed regulator positioning pin	•	•	•		•	•	
03	356830001	Washer	•	•	•		•	•	
04	357094000BUY	Positioning pin carrier	•	•	•		•	•	
05	618638005	Nut	•	•	•		•	•	
06	141913451	Feed regulator arm screw	•	•	•		•	•	
07	353536000	Arm lever (right)	•	•	•		•	•	
08	408030000	Retaining ring	•	•	•		•	•	
09	445808000	Washer	•	•	•		•	•	
10	179949000	Mounting plate stud spring	•	•	•		•	•	
11	445486000	Retaining ring	•	•	•		•	•	
12	113455001	Arm clamp screw	•	•	•		•	•	
13	353321000	Arm left lever	•	•	•		•	•	
14	113513451	Screw	•	•	•		•	•	
15	53640819	Nut	•	•	•		•	•	
16	358312xxx	Reverse button	•	•	•		•	•	
17	356230000	Mounting plate stud	•	•	•		•	•	

When you need a part number with the suffix (xxx), please indicate the machine model where will be used.

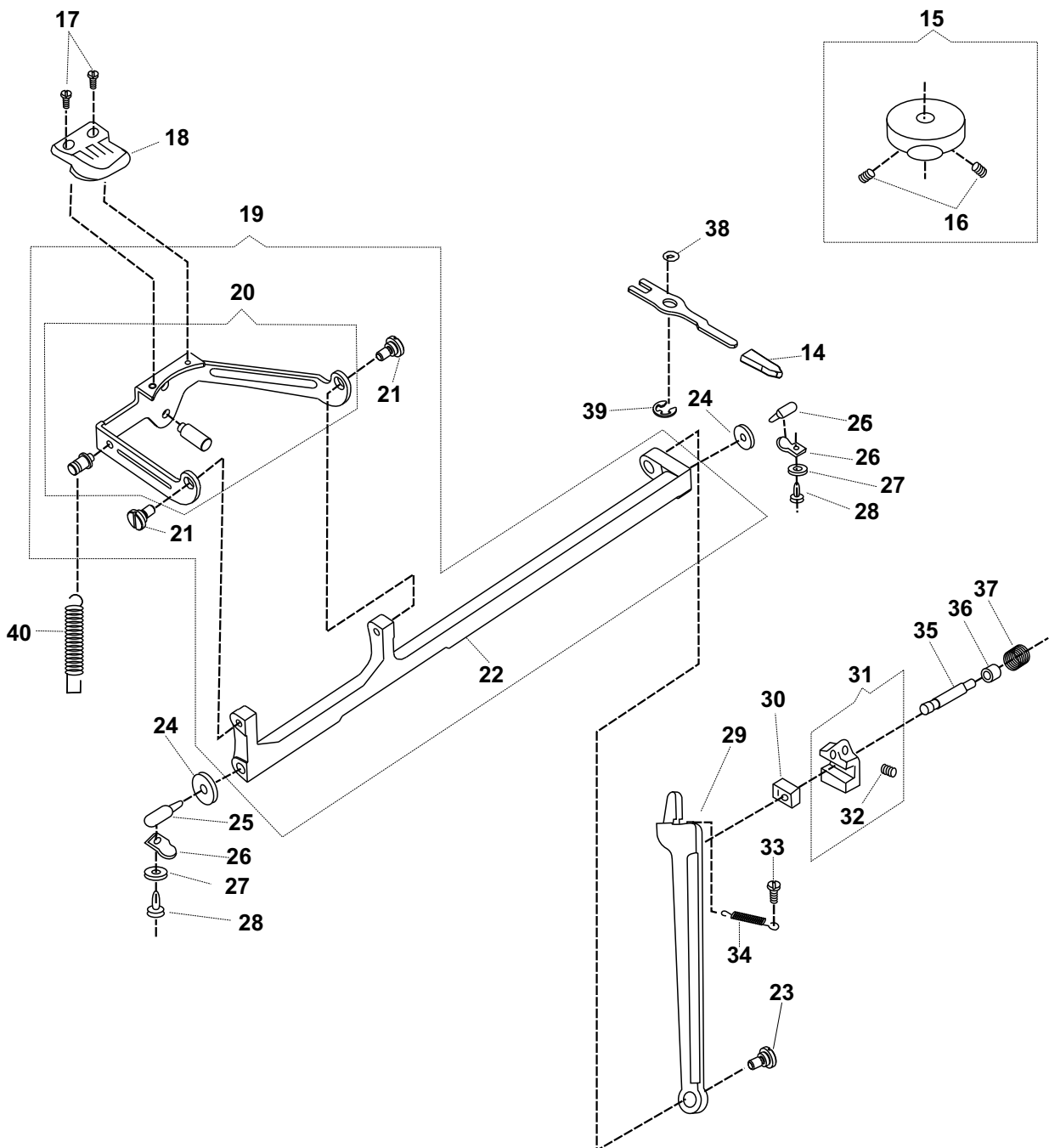
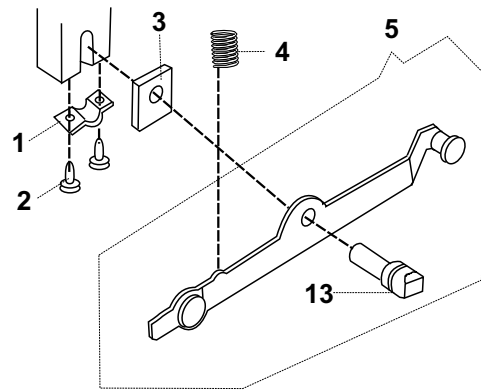


FEED SYSTEM

For models 9876/9868/9860



For all other models

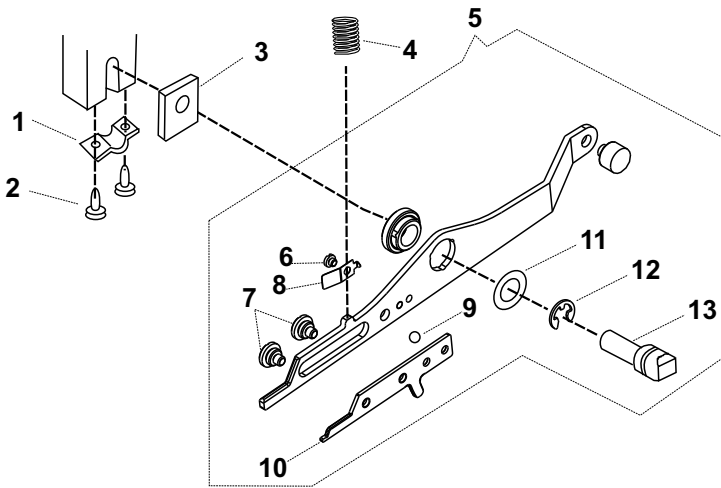


REF.	PARTS NUMBER	DESCRIPTION	9876	9868	9860	9858	9855	9852	9850	9876-1	9868-1	9860-1	9858-1	9855-1	9853-1	9852-1
01	446485000	Hinge stud clamp	•	•	•	•	•	•	•	•	•	•	•	•	•	•
02	113455001	Clamp screw	•	•	•	•	•	•	•	•	•	•	•	•	•	•
03	179955000	Stud spacer	•	•	•	•	•	•	•	•	•	•	•	•	•	•
04	446249000	Lever spring	•	•	•	•	•	•	•	•	•	•	•	•	•	•
05	358003000	Feed lifting lever, complete	•	•	•											
05	356222931	Feed lifting lever, complete				•	•	•	•	•	•	•	•	•	•	•
06	357863900	Stop spring screw	•	•	•											
07	357862900	Slide lever guide screw	•	•	•											
08	357807900	Drop feed sphere spring	•	•	•											
09	357919900	Stop sphere	•	•	•											
10	357806900	Drop feed sphere releasing lever	•	•	•											
11	353427000	Washer	•	•	•											
12	353428000	Retaining ring	•	•	•											
13	353448000	Feed lifting lever hinge stud	•	•	•											
13	357122000BUY	Feed lifting lever hinge stud				•	•	•	•	•	•	•	•	•	•	•
14	357877900	Lever button	•	•	•											
15	446228000	Feed lifter cam assembly	•	•	•	•	•	•	•	•	•	•	•	•	•	•
16	544118000	Feed lifter cam screw	•	•	•	•	•	•	•	•	•	•	•	•	•	•
17	355235451	Feed dog screw	•	•	•	•	•	•	•	•	•	•	•	•	•	•
18	179891000	Feed dog	•	•	•	•	•	•	•	•	•	•	•	•	•	•
19	358069000	Feed rock shaft, complete	•	•	•											
20	358001000	Feed bar, complete	•	•	•											
20	446204900	Feed bar, complete				•	•	•	•	•	•	•	•	•	•	•
21	354939451	Feed bar hinge screw	•	•	•	•	•	•	•	•	•	•	•	•	•	•
22	357636901	Feed rock shaft	•	•	•	•	•	•	•	•	•	•	•	•	•	•
23	531623451	Feed forked connection screw	•	•	•	•	•	•	•	•	•	•	•	•	•	•
24	353397000	Washer	•	•	•	•	•	•	•	•	•	•	•	•	•	•
25	446487001	Feed rock shaft center	•	•	•	•	•	•	•	•	•	•	•	•	•	•
26	446484000	Feed rock shaft clamp	•	•	•	•	•	•	•	•	•	•	•	•	•	•
27	353375451	Washer	•	•	•	•	•	•	•	•	•	•	•	•	•	•
28	113455001	Shaft supporting bracket screw	•	•	•	•	•	•	•	•	•	•	•	•	•	•

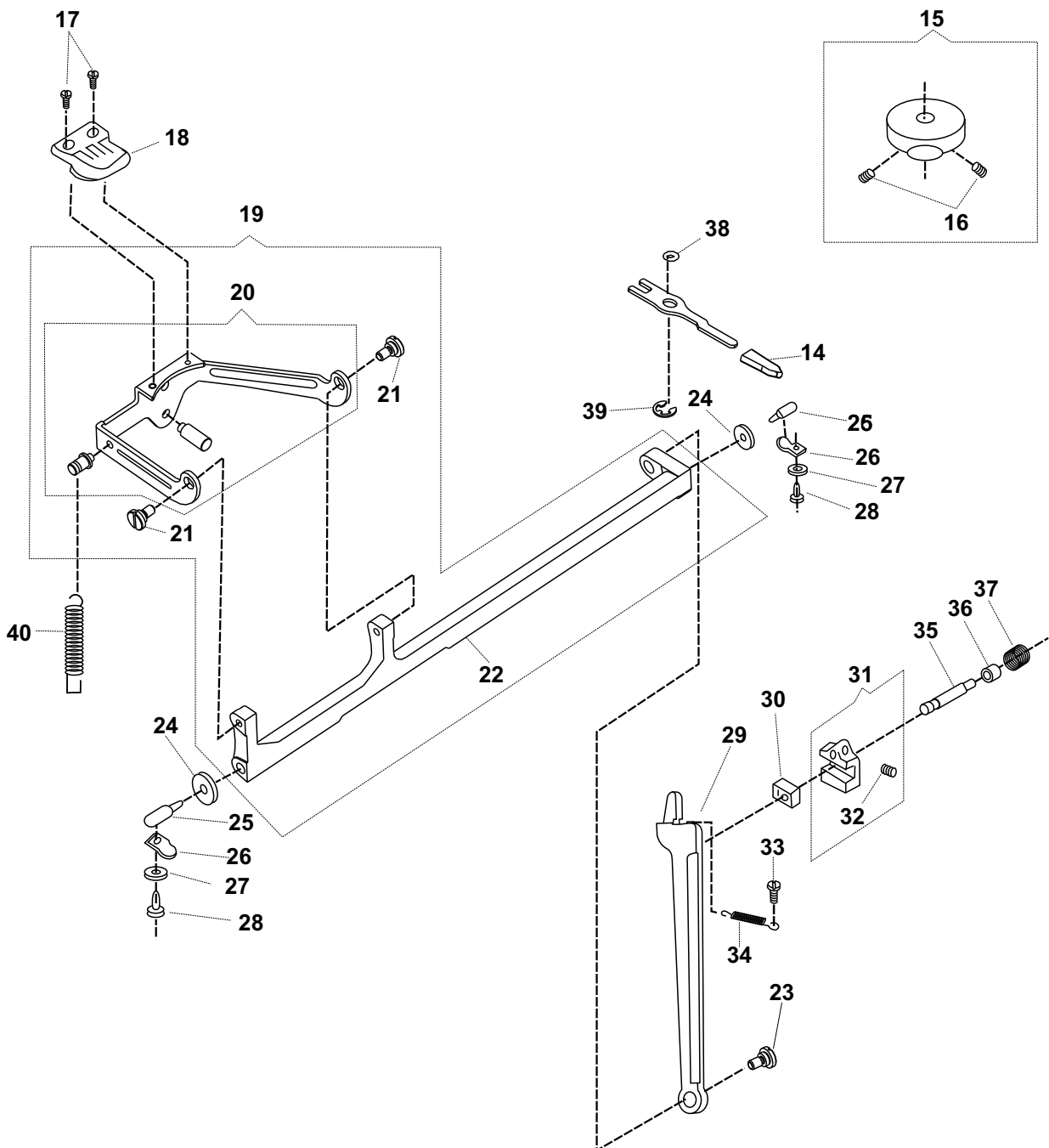
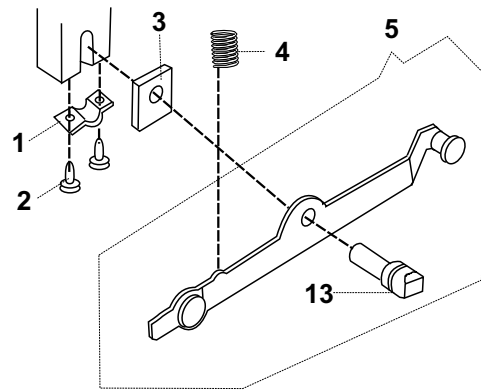
When you need a part number with the suffix (xxx), please indicate the machine model where will be used.

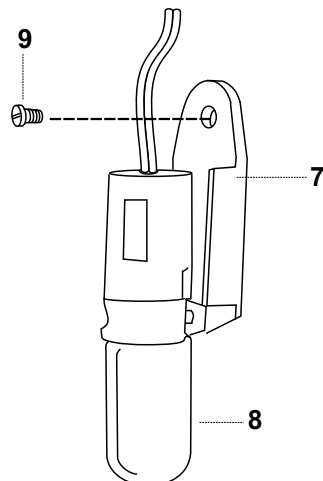
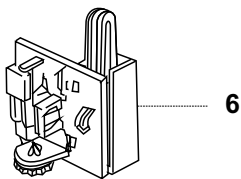
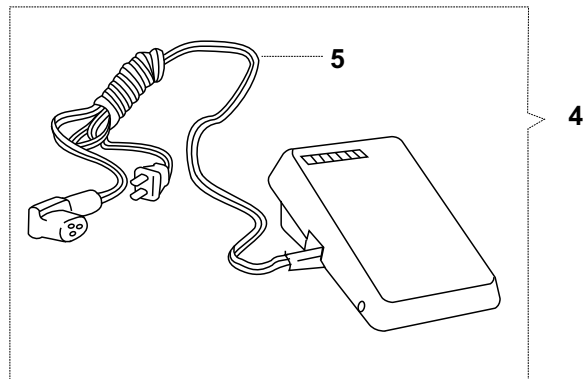
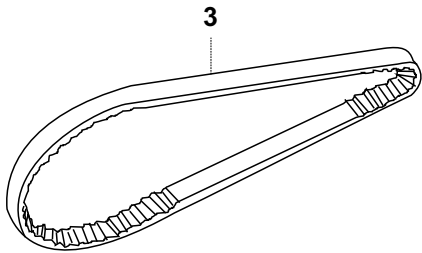
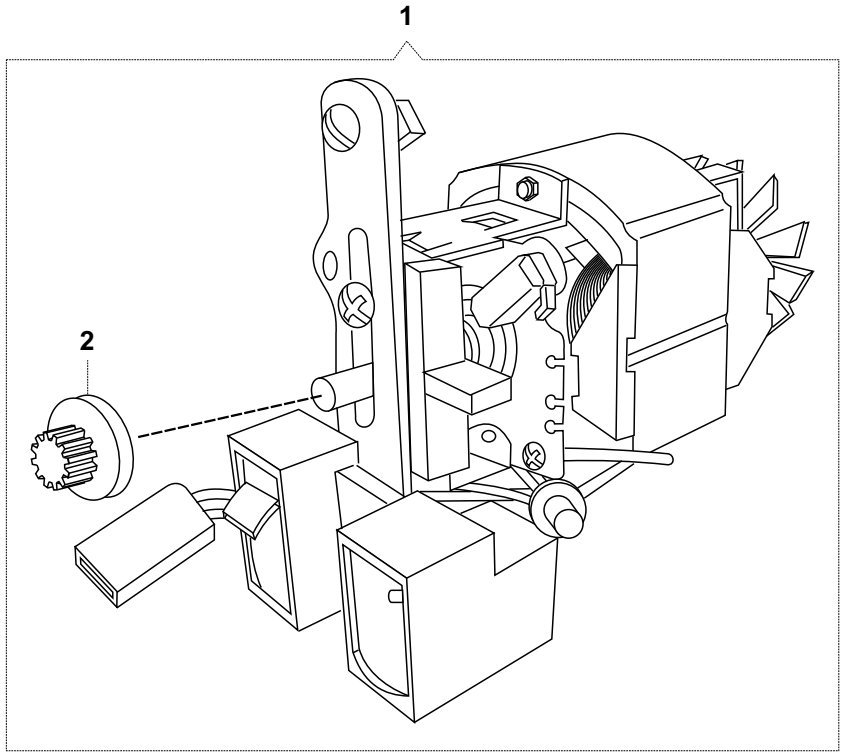
FEED SYSTEM

For models 9876/9868/9860



For all other models





SINGER[®]
AT HOME WORLDWIDE