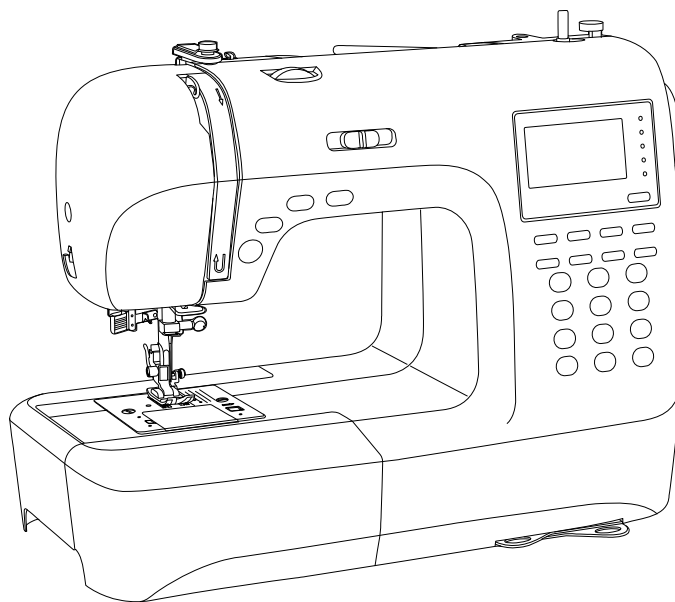




SINGER®

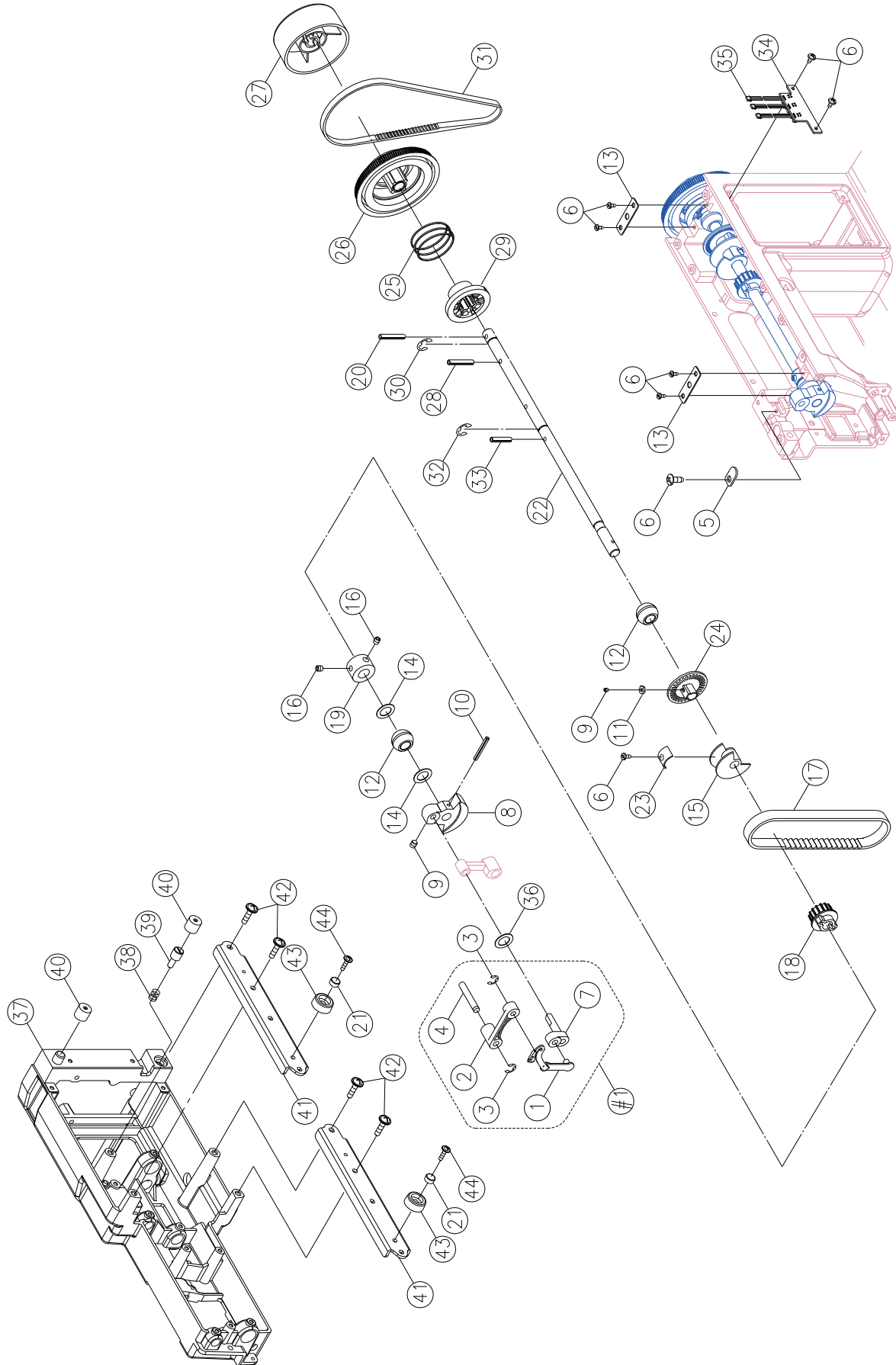
2010



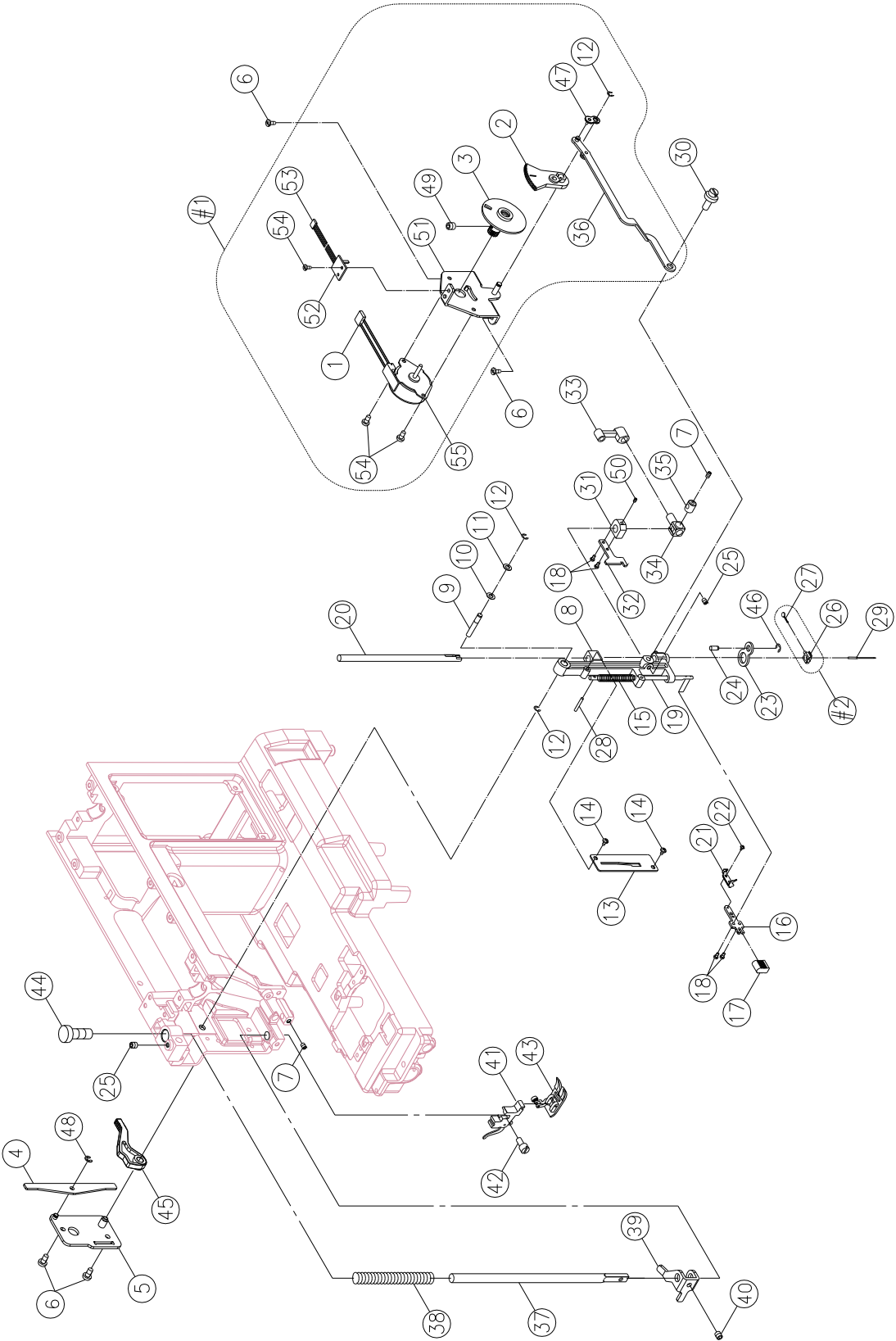
Liste de pièces
Lista de Piezas
Parts List

® A registered trademark of The Singer Company Ltd. or its affiliates.
® *Una marca registrada de The Singer Company Ltd. o sus afiliados.*
® *Une marca déposée de The Singer Company Ltd. ou ses filiales.*

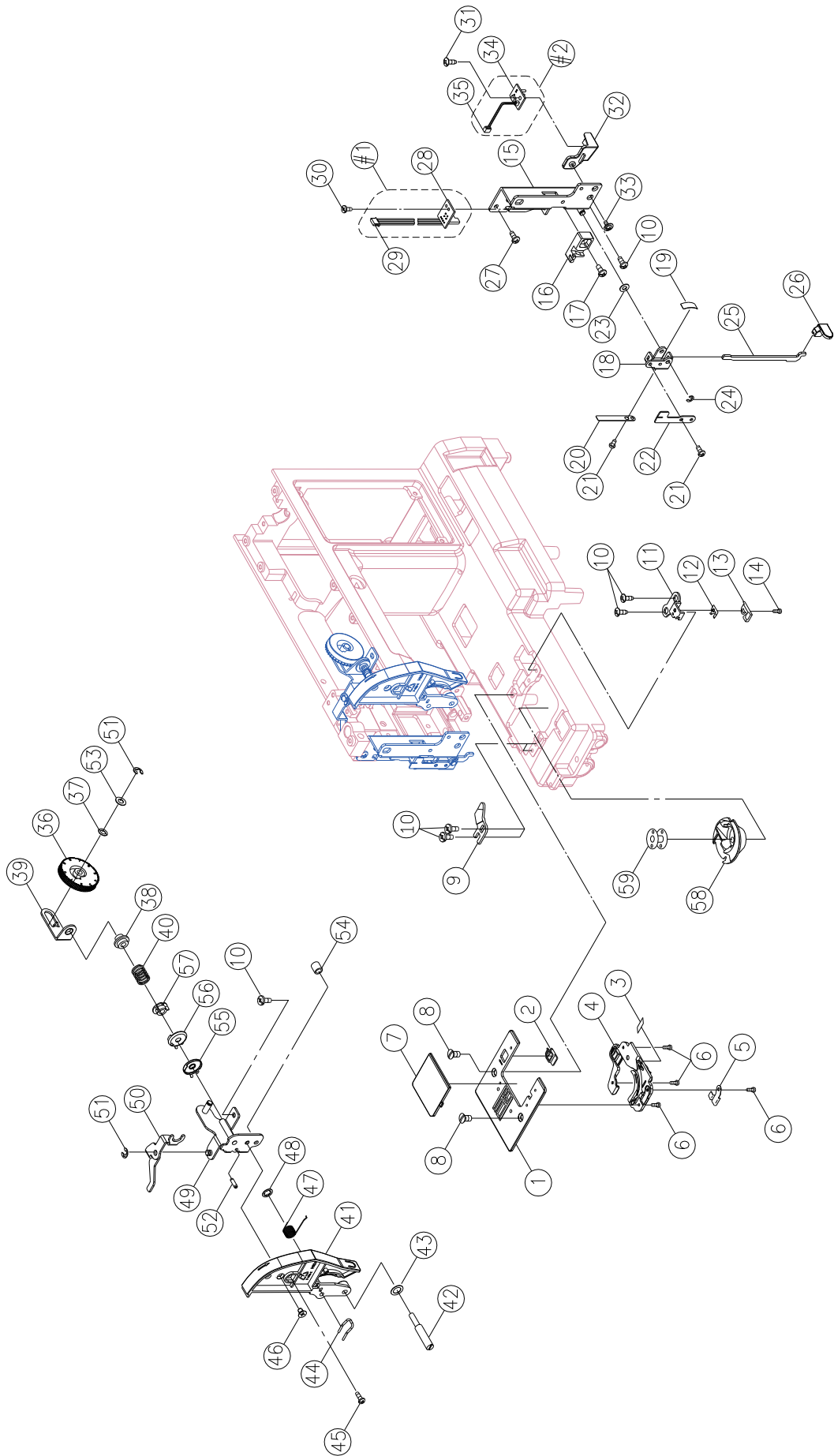
A



Pos	Part No.	Description
1	416484501	Thread take up lever complete
2	416147701	Thread take up lever supporter
3	416116001	E-Ring (ETW-3)
4	270 V60223003	Thread take up lever supporter shaft
5	416152201	Set waster
6	416152201	Set screw (M4×8A)
7	416595001	Arm shaft balance pin complete
8	416595101	Arm shaft balance
9	416122101	Set screw (M4×6)
10	270 003043524	Arm shaft balance pin (3.5×24)
11	270 004840022	Nut (M4 t=3)
12	416156301	Arm shaft bushing
13	270 E1A2623003	Arm shaft bushing holder plate
14	270 004400080	Endure attrition washer
15	270 D3A0033000	Rotary sensor collar
16	270 004250203	Set screw (M5×5)
17	270 00742505M6	Motor drive belt
18	270 H1A0403000	Arm shaft sprocket
19	416156501	Arm shaft collar
20	270 003043030	Spring pin (3×30)
21	416542201	Spacer
22	270 H1A0033000	Arm shaft
23	270 D3A0043002	Arc washer
24	416129601	Revolution control panel
25	270 D5A0573003	Arm shaft clutch annulus spring
26	270 H1A0103000	Arm shaft drive belt pulley
27	270 H1A1403209	Hand wheel
28	270 003043028	Spring pin (3×28)
29	416307201	Arm shaft collar
30	270 003010083	E-Ring (ETW-8)
31	270 00749402M5	Motor drive belt (2M)
32	416116501	E-Ring (ETW-9)
33	416117601	Spring pin (3×18)
34	270 008H1A0003	Photo sensor plate
35	270 008H1A0004	Photo sensor thread
36	270 0044000020	Endure attrition washer
37	270 H1A0013000	Arm
38	416147301	Base plate adjustment screw spring
39	416154601	Base plate adjustment screw
40	270 K6A0063000	Free arm base cushion rubber
41	270 H1A0413006	Free arm base cushion
42	270 004250426	Set screw (M5×10)
43	270 F31103000	Free arm base cushion rubber
44	270 004240586	Set screw (M4×8)
#1	416484501	Thread take up lever complete

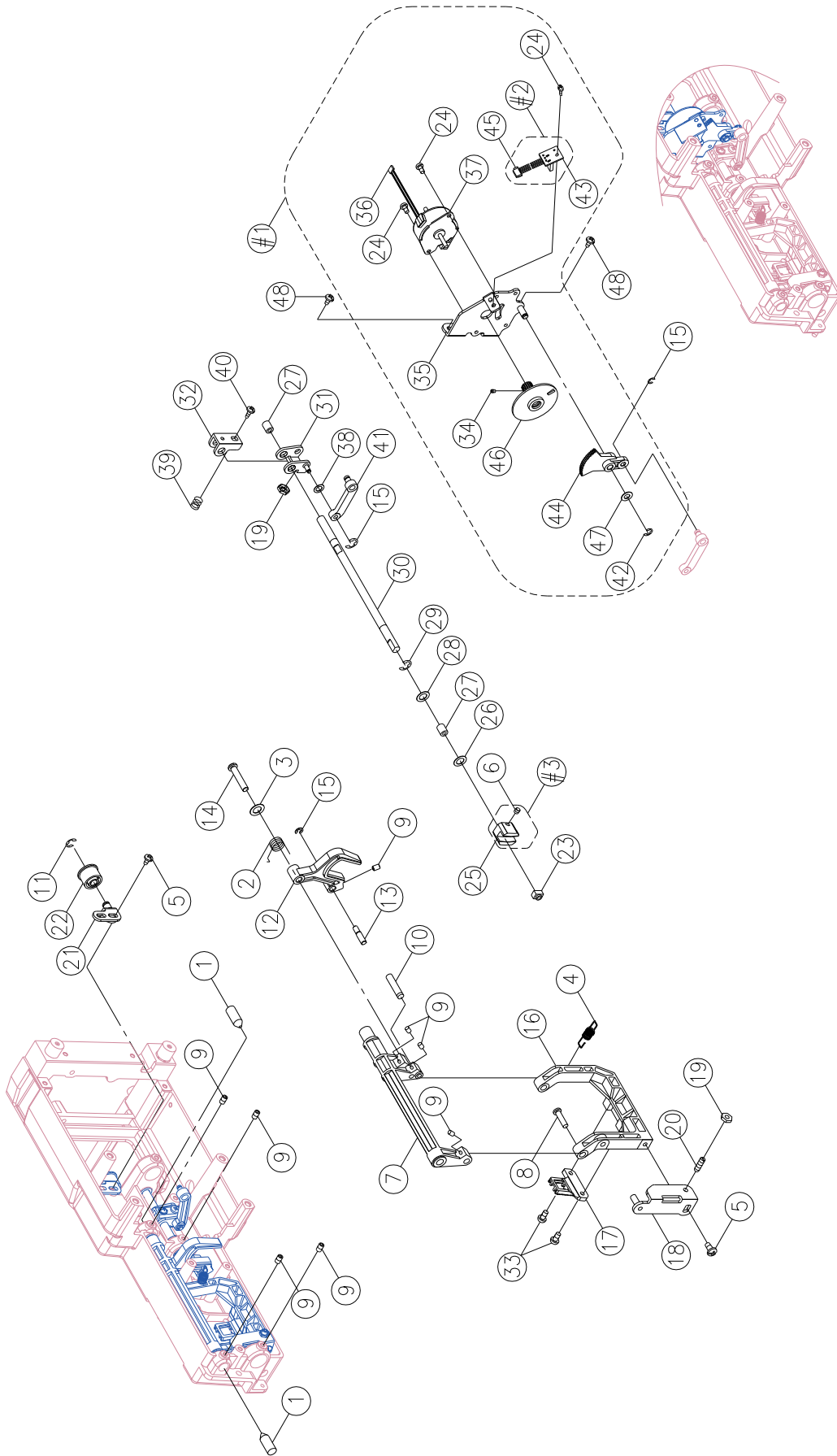


Pos	Part No.	Description
1	270 002P4C0006	Zigzag pulse motor lead cord
2	270 H1A0183000	Zigzag crank gear
3	270 R1A1394000	Pulse motor gear complete
4	270 H1A0063003	Tension lever lifter
5	270 H1A0053003	Clamp plate
6	416152201	Set screw (M4×8 A)
7	416122401	Set screw (M4×4)
8	270 Q6A0053000	Needle bar supporter
9	416189301	Needle bar supporter pin
10	416186901	Washer (WW-6)
11	416185801	Washer (6.5×13×1)
12	270 003010046	E-Ring (ETW-4)
13	270 H2A0093003	Threading guide
14	416119201	Set screw (M3×6 A)
15	270 P3A0253003	Threading shaft spring
16	416190201	Threading plate
17	416190301	Threading button
18	270 004220203	Set screw (M2×4)
19	270 G4A1543003	Threading shaft
20	416173601	Needle bar
21	416190401	Threading shaft complete
22	416184301	Set screw (M1.6×3)
23	270 Q6A0063003	Needle bar supporter
24	416141301	Needle bar supporter plate pin
25	416121001	Set screw (M4×5)
26	416245301	Needle clamp
27	416245301	Needle clamp set screw
28	416184001	Pin (ø2×14)
29		Needle (#14)
30	416408701	Needle bar driving rod pin
31	416189601	Threading stopper
32	270 H2A0083003	Threading stop holder
33	416150101	Needle bar crank rod
34	416150801	Needle bar bracket (1)
35	416150801	Needle bar bracket (2)
36	270 H1A0143003	Needle bar driving rod
37	416173401	Presser bar
38	270 E1A2493003	Presser bar spring
39	270 H1A0093003	Presser bar bracket
40	416122101	Set screw (M4×6)
41	416128201	Shank complete
42	416184201	Set screw (9/64×40×7.5)
43	416127501	Zigzag presser foot
44	270 K6B0563209	Presser bar regulating screw complete
45	270 K6B0563209	Presser bar lifter lever
46	416116101	E-Ring (ETW-4)
47	270 P3C0123002	Needle bar driving rod plate
48	416116001	E-Ring (ETW-3)
49	416120001	Set screw (M3×3)
50	270 004230203	Set screw (M3×4 C)
51	270 H1A0163002	Zigzag pulse motor plate
52	270 008P4C0007	Zigzag photo sensor plate
53	270 002D5A0005	Zigzag photo sensor wire
54	416120601	Set screw (M3×5A)
55	416417101	Pulse motor
#2	416245301	Needle clamp complete
#1	270 H1A0154000	Zigzag pulse motor plate complete

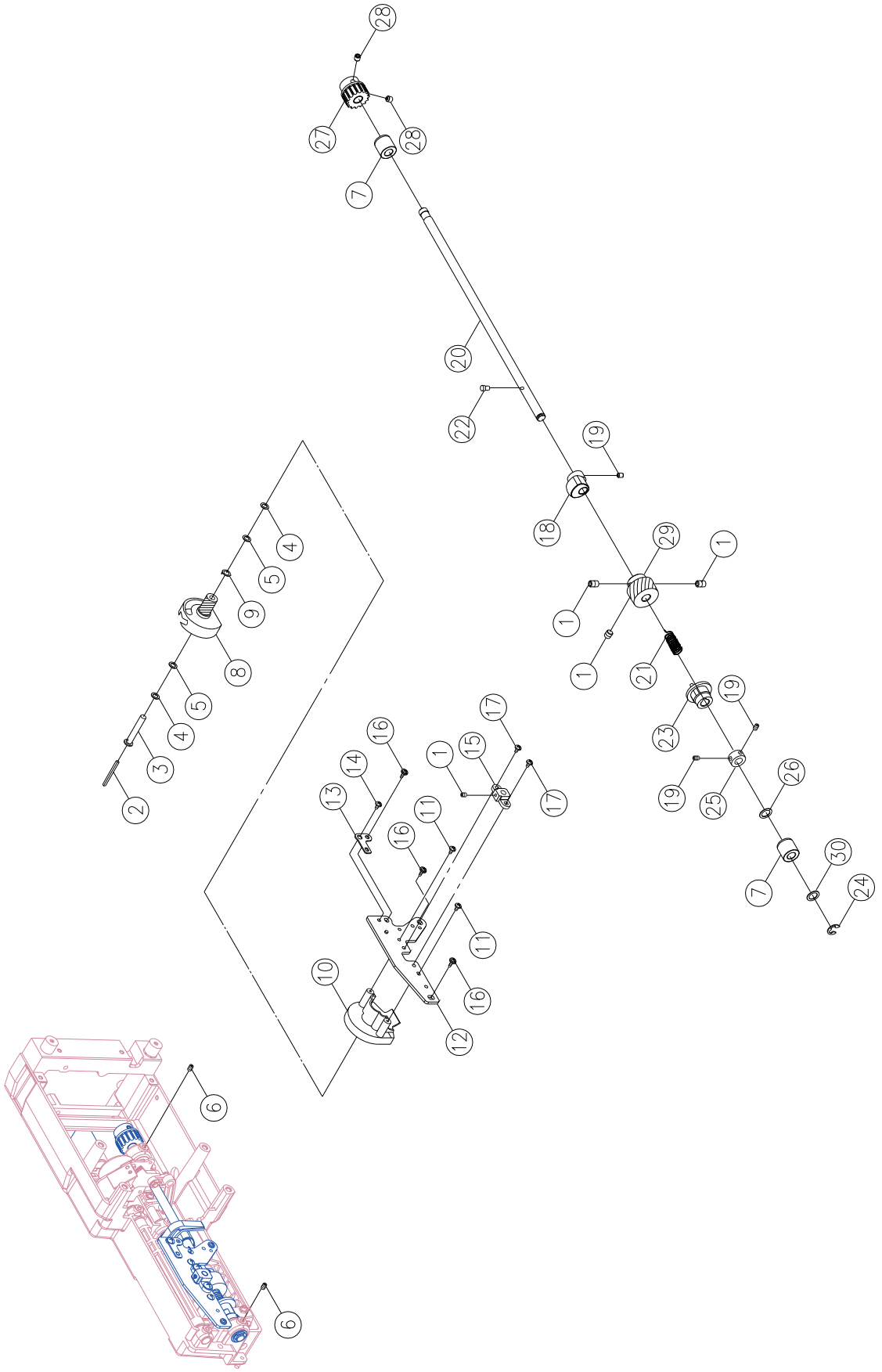


Pos	Part No.	Description			
1	270 H2A0033004	Needle plate	#1	270 008H5A0005	Photo sensor complete (for H50A)
2	416155201	Needle plate cover open	#2	270 008H1A0017	LED light lamp complete
3	416172501	Thread cutter			
4	270 H2AA013000	Needle plate supporter			
5	416147501	Needle plate spring			
6	270 0042200016	Set screw (M2X3)			
7	416565401	Needle plate cover			
8	416122901	Set screw (M4×6)			
9	416144001	Rotary hook plate			
10	416121201	Set screw (M4×6 B)			
11	416143901	Rotary hook plate (2)			
12	416143901	Rotary hook plate spring (2)			
13	416143901	Rotary hook plate spring (1)			
14	416119001	Set screw (M2×2.5)			
15	270 H1A0273006	BH lever plate			
16	270 P3C0203209	BH movement crank			
17	416119201	Set screw (M3×6A)			
18	270 P3C0173003	BH lever crank			
19	416413101	BH spring plate			
20	416413001	BH lever crank spring			
21	270 004230056	Set screw (M3×5B)			
22	270 P3C0193003	Photo plate			
23	270 004300713	Washer (5.2x10x0.2)			
24	416116001	E-Ring (ETW-3)			
25	P3C0183002	BH lever			
26	270 H1AA023209	BH lever button			
27	416152201	Set screw (M4×8A)			
28	416595201	Photo sensor plate (for H50A)			
29	270 008H5A0007	Photo sensor wire (for H50A)			
30	416120601	Set screw (M3×5A)			
31	270 004230082	Set screw (M3×6B)			
32	270 H1A0553209	LED holder			
33	270 004231016	Set screw (M3×5)			
34	416595301	LED light lamp			
35	270 008H1A0019	LED lamp line			
36	270 K5BD013209	Dial tension knob			
37	416126001	Washer (ww-5)			
38	416153801	Dial tension regulator			
39	270 K6B0193006	Dial tension spring plate			
40	416155901	Dial tension spring			
41	270 H1A1373209	Dial tension supporter plate cover			
42	270 004240982	Set screw (M4)			
43	270 004300926	Washer (4.1*8*1)			
44	416198701	Thread guide			
45	416198701	Set screw (M4×15B)			
46	416121901	Set screw (M4×6)			
47	270 V60303000	Thread guide spring			
48	416116701	CS ring (CS-5)			
49	270 K6B0183002	Dial tension supporter plate			
50	270 H1A1383003	Dial tension waft plate			
51	416116101	E-Ring (ETW-4)			
52	416117501	Pin			
53	416124501	Washer(5.2×10×0.5)			
54	416151701	Dial tension guide spring tube			
55	416153601	Dial tension disc (1)			
56	416146301	Dial tension disc			
57	416412001	Dial tension spring regulator			
58	270 Q6A0764000	Shuttle hook complete			
59	270 006084009	Bobbin			

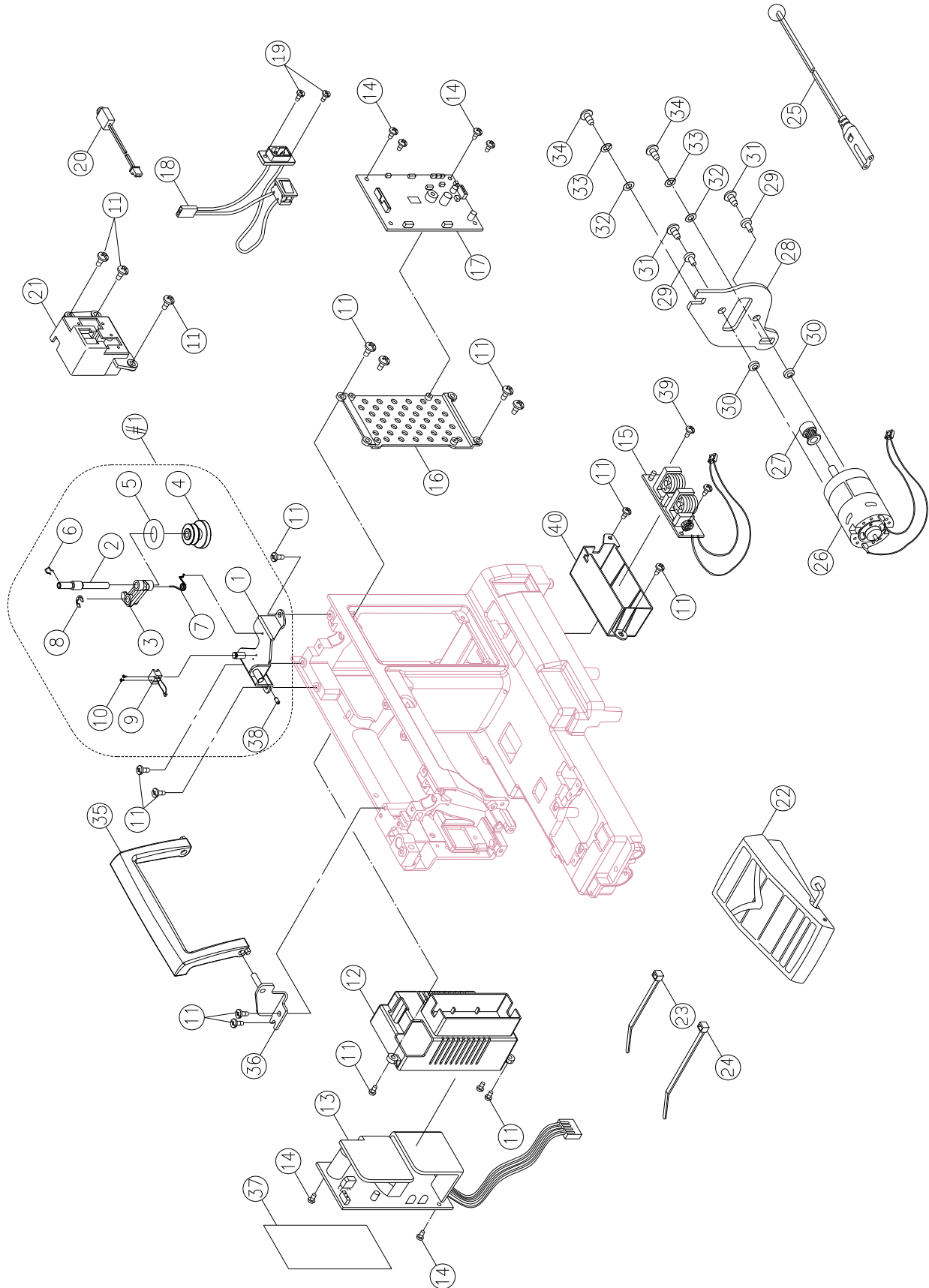
D



Pos	Part No.	Description
1	416192801	Feed crank shaft
2	416195701	Feed rock crank spring
3	416186301	Washer (5.2×12×1)
4	416192701	Feed dog spring
5	416152201	Set screw (M4×8 A)
6	416122401	Set screw (M4×4)
7	416191901	Feed rock shaft Pulse motor complete (H41A)
8	416192101	Feed dog shaft
9	416122101	Set screw (M4×6)
10	416549201	Feed rock frame shaft (2)
11	416116101	E-Ring (ETW-4)
12	416549201	Feed rock crank
13	416192601	Regulating block shaft
14	270 P3A0583003	Feed rock shaft
15	416116001	E-Ring (ETW-3)
16	416192001	Feed dog supporter
17	270 H1A0363000	Feed dog
18	416192301	Feed lifting rock crank
19	416126801	Adjusting nut (ALN-4)
20	416185501	Set screw (M4×0.7 L9)
21	270 H1A0433003	Belt adjusting plate
22	270 H1A0453000	Belt adjusting plate pulley
23	416356601	Feed regulating block
24	416120601	Set screw (M3×5A)
25	416356501	Feed regulating
26	416125601	Endure attrition washer
27	416156901	Feed rock bushing
28	416124001	Washer (6.7×12×1)
29	416124001	E-Ring (ETW-5)
30	270 H1A0203000	Feed regulating shaft
31	270 D3A0273003	Feed regulating crank
32	270 D3A0263003	Feed crank
33	270 004235016	Set screw (M3.5×0.6 L8)
34	416120001	Set screw (M3×3)
35	416595501	Pulse support plate (H50A)
36		
37	416132801	Pulse motor complete (H50A)
38	416124101	Washer (4.2×8×0.8)
39	270 D3A0293003	Feed regulating crank spring
40	416582601	Feed regulating crank set screw
41	270 D3A0943000	Feed rock rod
42	270 003010046	E-Ring (ETW-4)
43	270 008D5A0026	Photo sensor plate
44	270 P3C0243000	Feed rock crank gear
45	270 002D5A0006	Feed wire
46	270 R1A1394000	Pulse motor gear complete
47	416124501	Washer (5.2×10×0.5)
48	416119201	Set screw (M3×6A)
#1	270 H5A0094000	Pulse support plate complete (for H50A)
#2	416131201	Photo sensor complete
#3	270 D3A1674000	Feed regulating complete

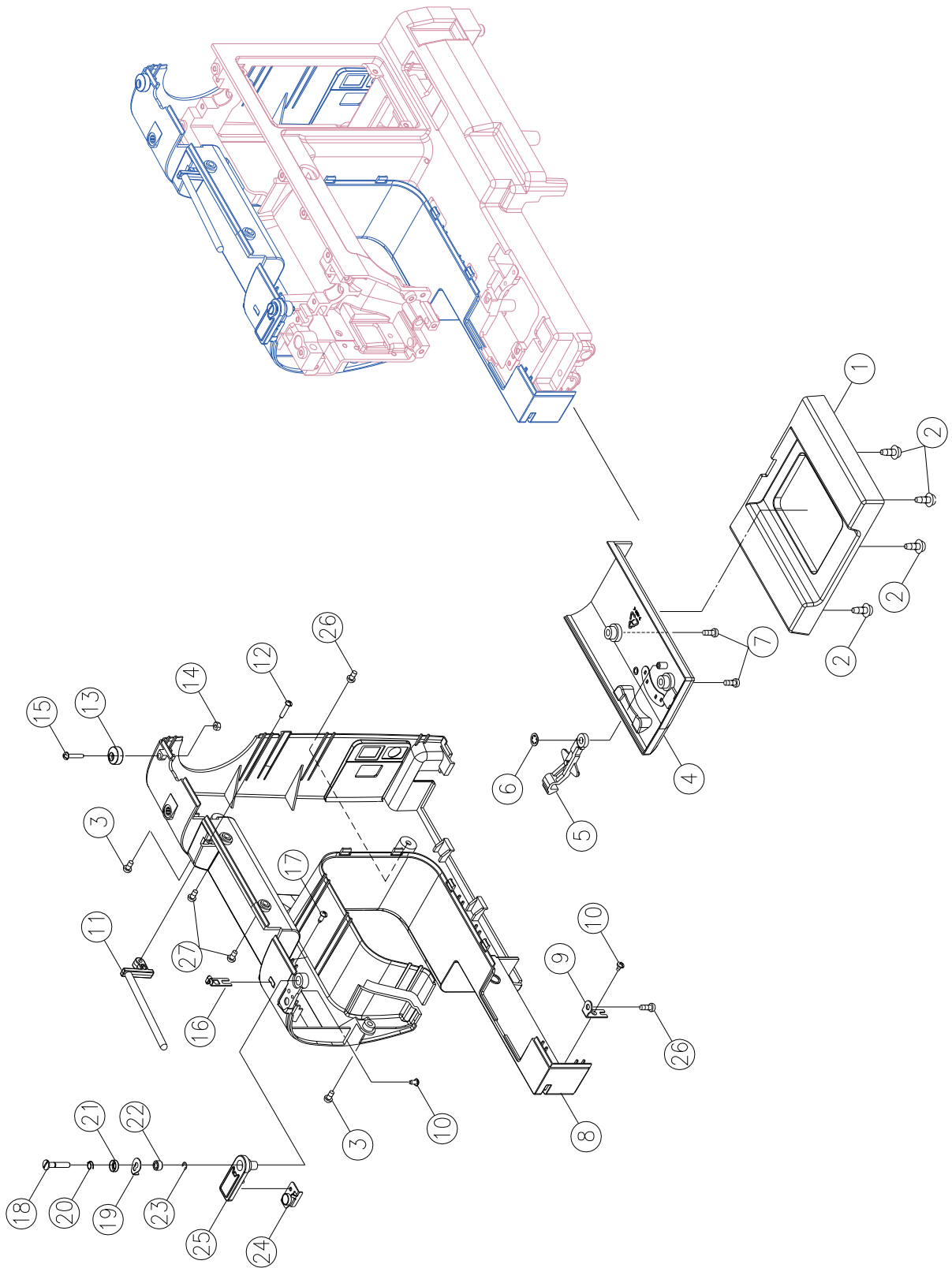


Pos	Part No.	Description
1	416121001	Set screw (M4×5)
2	416155801	Bobbin shaft oil cloth
3	416145401	Bobbin shaft
4	416155601	Bobbin shaft washer (2)
5	416125901	Endure attrition washer
6	416122101	Set screw (M4×6)
7	416141701	Lower shaft bushing
8	416479801	Shuttle hook holder
9	416155701	Bobbin shaft washer (3)
10	416143601	Shuttle hook cover
11	416119501	Set screw (M3×12)
12	270 H1A0383006	Rotary hook holder
13	416191801	Rotary hook holder positioned plate
14	416121201	Set screw (M4×6 B)
15	416143401	Rotary hook supporter
16	270 004240586	Set screw (M4×8)
17	416152201	Set screw (M4×8 A)
18	270 H1A1503000	Feed rock cam
19	416122401	Set screw (M4×4)
20	270 H1A0133000	Lower shaft
21	416191401	Lower shaft spring
22	270 P3A0433003	Feed lifting rock com pin
23	416191201	Feed lifting rock cam
24	416116401	E-Ring (ETW-6)
25	270 V11564000	Lower shaft collar
26	416125801	Endure attrition washer
27	270 H1A0463000	Lower shaft belt pulley
28	270 004250203	Set screw (M5×5)
29	416197201	Lower shaft gear
30	416186501	Washer (8.2×12×0.5)



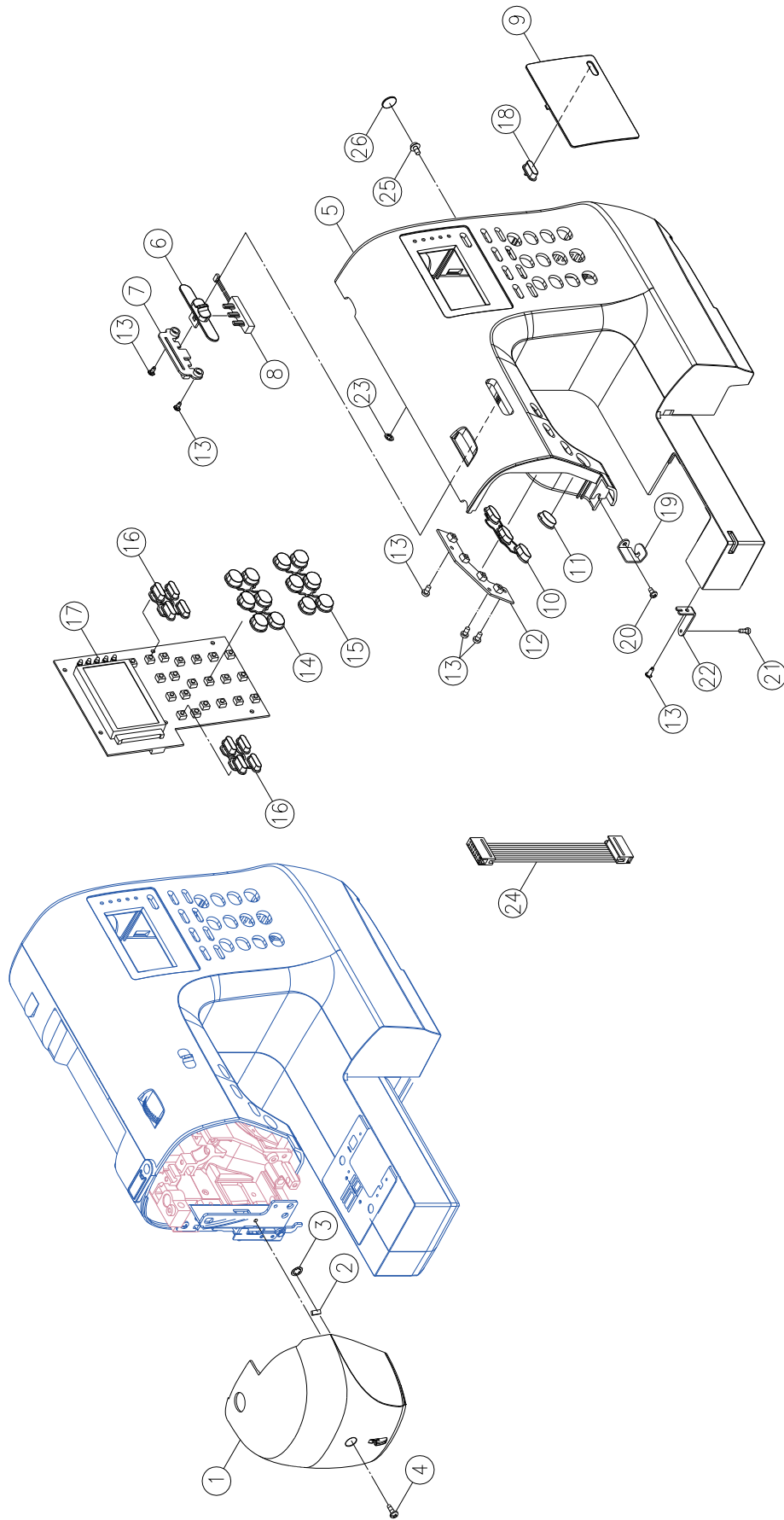
Pos	Part No.	Description
1	270 H1A0245006	Bobbin winder plate
2	270 K6B0603001	Bobbin winder crank
3	270 K6A0563000	Bobbin winder crank
4	270 D5A0633000	Bobbin winder pulley
5	416149201	Bobbin winder rubber pulley
6	270 F20193000	Bobbin winder crank spring
7	270 K6A0573003	Bobbin winder crank spring
8	416116301	E-Ring (ETW-5)
9	270 008P4C0016	Micro switch
10	416119101	Set screw (M2*0.4*7.5)
11	416152201	Set screw (M4*8A)
12	270 H1A0533209	HF transformer box
13		HF transformer complete (for 230V) EU.
13	270 008H1A0031	HF transformer complete (for 120V) UL
14	270 004230216	Set screw (M3*8.5)
15	270 008H1A0022	EMC circuit board
16	270 H1A0543209	Frame of main circuit board
17	270 008H5A0001	Main circuit board (H50A)
18	270 008H1A0028	Switch receptacle ass'y
19	270 004230326	Set screw (M3*12B)
20	416420201	Controller receptacle
21	270 H1A0513209	Receptacle holder
22	416113701	Foot controller (C-9000)
23	270 002030129	Cord clip(L=12)
24	270 002549129	Cord clip(L=20)
25		Power cord (for 240V) U.K
25	416419801	Power cord (for 120V) UL
25		Power cord (for 230V) EU.
26	416417101	DC Motor complete
27	416541901	Motor wheel
28	270 H1A0303006	Motor bracket
29	416419001	Insulation spacer
30	416418901	Insulation spacer
31	416120201	Set screw (M3*10)
32	416124301	Washer(5.4*10*0.9)
33	416126201	Spring washer (5.1*9.2*1.3)
34	416224801	Set screw (M5*12)
35	270 H1A1413209	Handle
36	270 V62033006	Arm top cover plate complete
37	270 008H1A0027	SMPS Insulating slice
38	270 003043008	Spring pin
39	270 004230082	Set screw (M3*6B)
40	270 H1A0523209	EMC circuit board cover
#1	270 H1A0564000	Bobbin winder complete

G

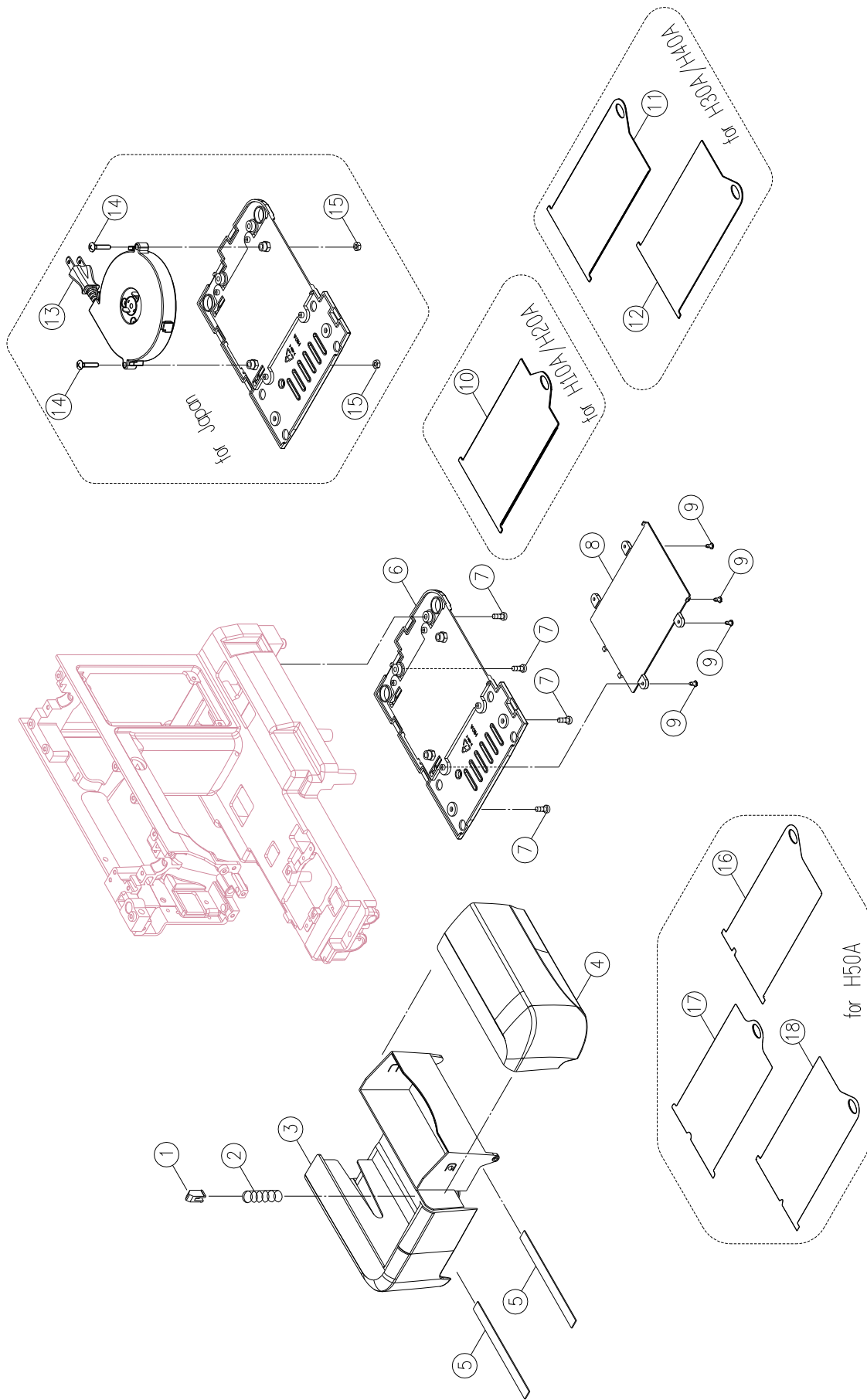


Pos	Part No.	Description
1	270 H1A1393209	Free arm foot bush
2	270 004230216	Set screw (M3×8.5)
3	416152201	Set screw (M4×8A)
4	270 H1AA013209	Free arm base
5	270 P3C0483209	Tooth lever arm
6	416116701	CS-ring (CS-5)
7	416121601	Set screw (M4×12B)
8	270 H5AB013209	Back cover
9	416144501	Arm back cover set plate
10	270 004230086	Set screw (M3×6B)
11	416169401	Spool rod
12	270 004230646	Set screw (M3×16.7B)
13	270 K6B0393000	Bobbin winder stopper
14	416126301	Nut (9/64×40 t=3)
15	416174001	Set screw (9/64*40*16 B)
16	270 F91333001	Thread guide
17	416184801	Set screw (M3×8)
18	416199401	Bobbin winder thread guide adjusting
19	270 P3A1513001	Bobbin winder thread guide
20	270 P3A1533001	Bobbin winder thread guide spring
21	270 P3A1463001	Bobbin winder spring disc
22	270 P3A1523006	Spacer
23	416116001	E-Ring (ETW-3)
24	270 V6E0395000	Thread guide complete
25	416199201	Bobbin winder thread guide disc
26	416121201	Set screw (M4×6B)
27	270 004240526	Set screw (M4×12B)

H

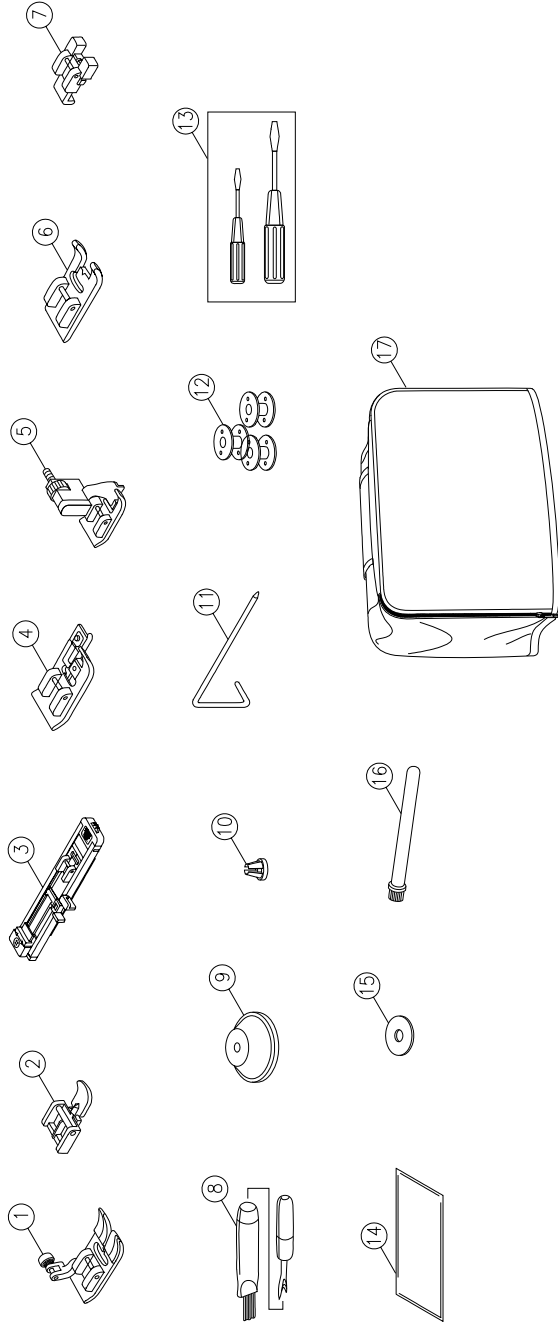


Pos	Part No.	Description
1	270 H5AF013209	Face plate
2	416172501	Thread cutter
3	416116701	CS ring (CS-5)
4	270 004241061	Set screw (M4×12A)
5	270 H5AC013209	Front cover
6	270 H1A1203209	Slide volume lever
7	270 H1A1223209	Slide volume knob connector
8	270 008P2C0009	Slide volume
9	270 H5AA013031	LCD cover
10	270 H1AD023209	Function select key
11	270 H5AN013209	Start/stop push button
12	270 008H5A0010	Key plate
13	270 004230126	Set screw (M3×8B)
14	270 H5AN023209	Numeral knob (1)
15	270 H5AN033209	Numeral knob (2)
16	270 H5A0073209	Function select key (2)
17	416595601	LCD key plate
18	270 H5A0063209	Function select key (1)
19	416145101	Arm top cover thread guide plate
20	416152201	Set screw (M4×8A)
21	270 004230216	Set screw (M3×8.5)
22	416144401	Arm front cover set plate
23	270 003020033	CS ring
24	270 002P4C0008	Row line
25	270 004240586	Set screw (M4×8)
26	416149101	Plug

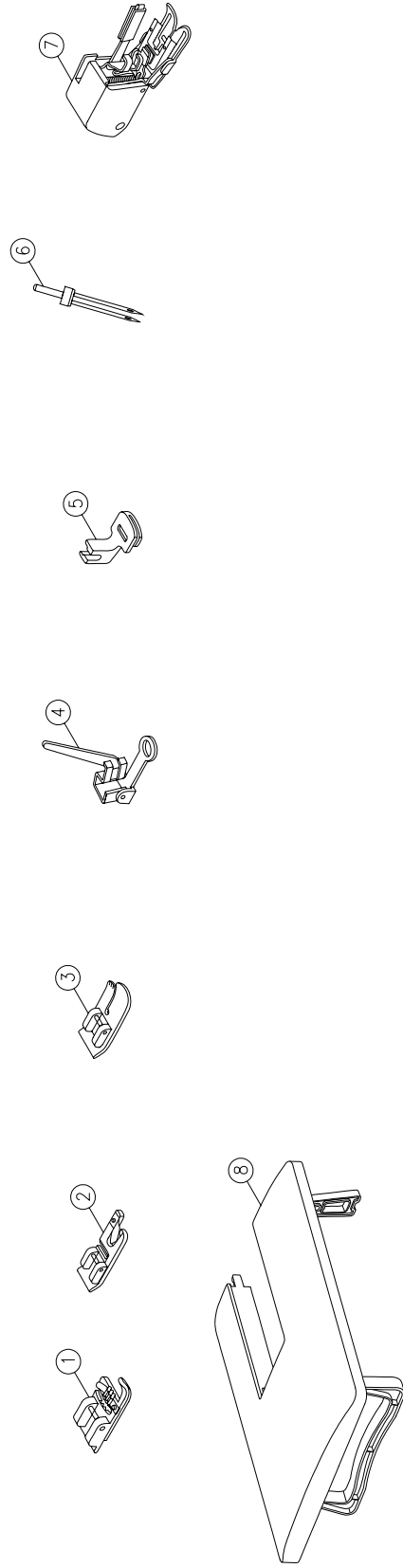


Pos	Part No.	Description
1	416150601	Sewing table body guide
2	416424401	Sewing table body guide spring
3	270 H1A1343209	Sewing table body
4	270 H1A1353209	Sewing table body cover
5	416357702	Sewing table body felt
6	270 H1A1423209	Cord reel cover
7	416152201	Set screw (M4×8A)
8	270 H1A1453209	Pattern cover
9	270 004230082	Set screw (M3×6B)
10		
11		
12		
13		
14		
15		
16	270 H5AP013031	Pattern plate (up) (for H50A)
17	270 H5AP023031	Pattern plate (middle) (for H50A)
18	270 H5AP033031	Pattern plate (down) (for H50A)

Standard accessories



Optional accessories



Pos	Part No.	Description
1	416127501	All purpose foot
2	416128701	Zipper foot (I)
3	270 006H1A0004	Buttonhole foot
4	416128801	Overcasting foot (E)
5	416128601	Blind hem foot (F)
6	416128001	Satin stitch foot (A)
7	416284501	Button sewing foot
8	416127701	Brush & seam ripper
9	416157101	Spool holder (Large)
10	416157601	Spool holder (Small)
11	6008001	Quilting guide
12	270 006084009	Bobbin
13	270 006012008	Screwdriver (L & S)
14		Pack of needles
15	416127301	Spool pin felt
16	416157501	Auxiliary spool pin
17	270 020L008000	Sewing machine dust cover