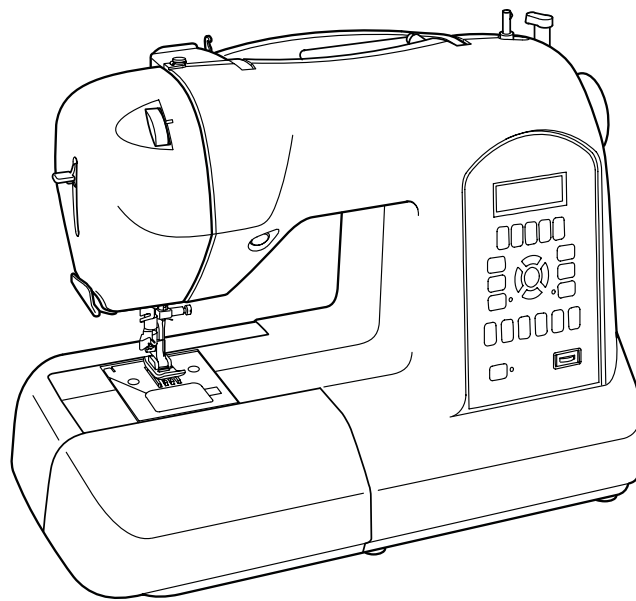




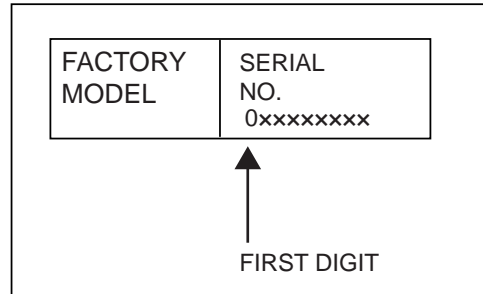
SINGER | *Curvy*™

8780



Liste de pièces
Lista de Piezas
Parts List

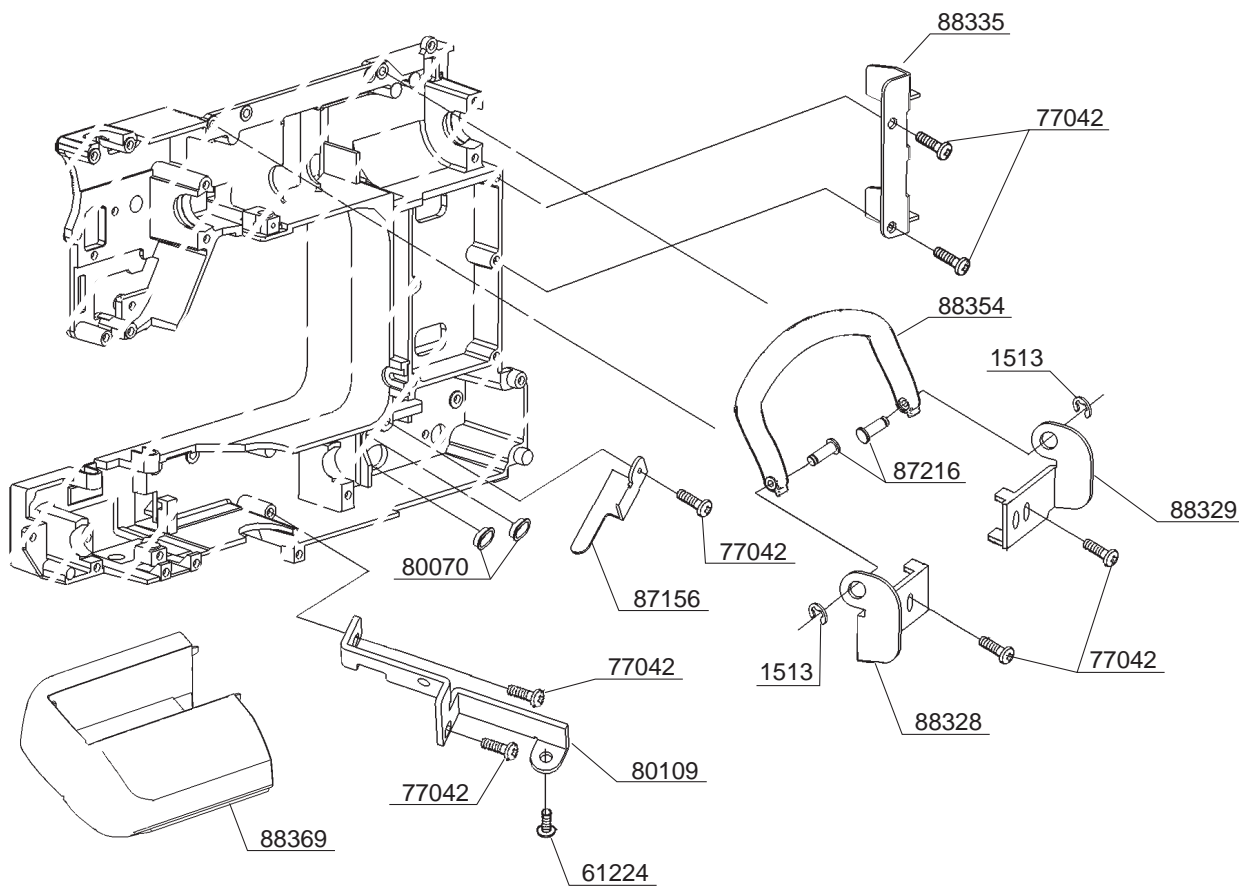
® A registered trademark of The Singer Company Ltd. or its affiliates.
® *Una marca registrada de The Singer Company Ltd. o sus afiliados.*
® *Une marca déposée de The Singer Company Ltd. ou ses filiales.*



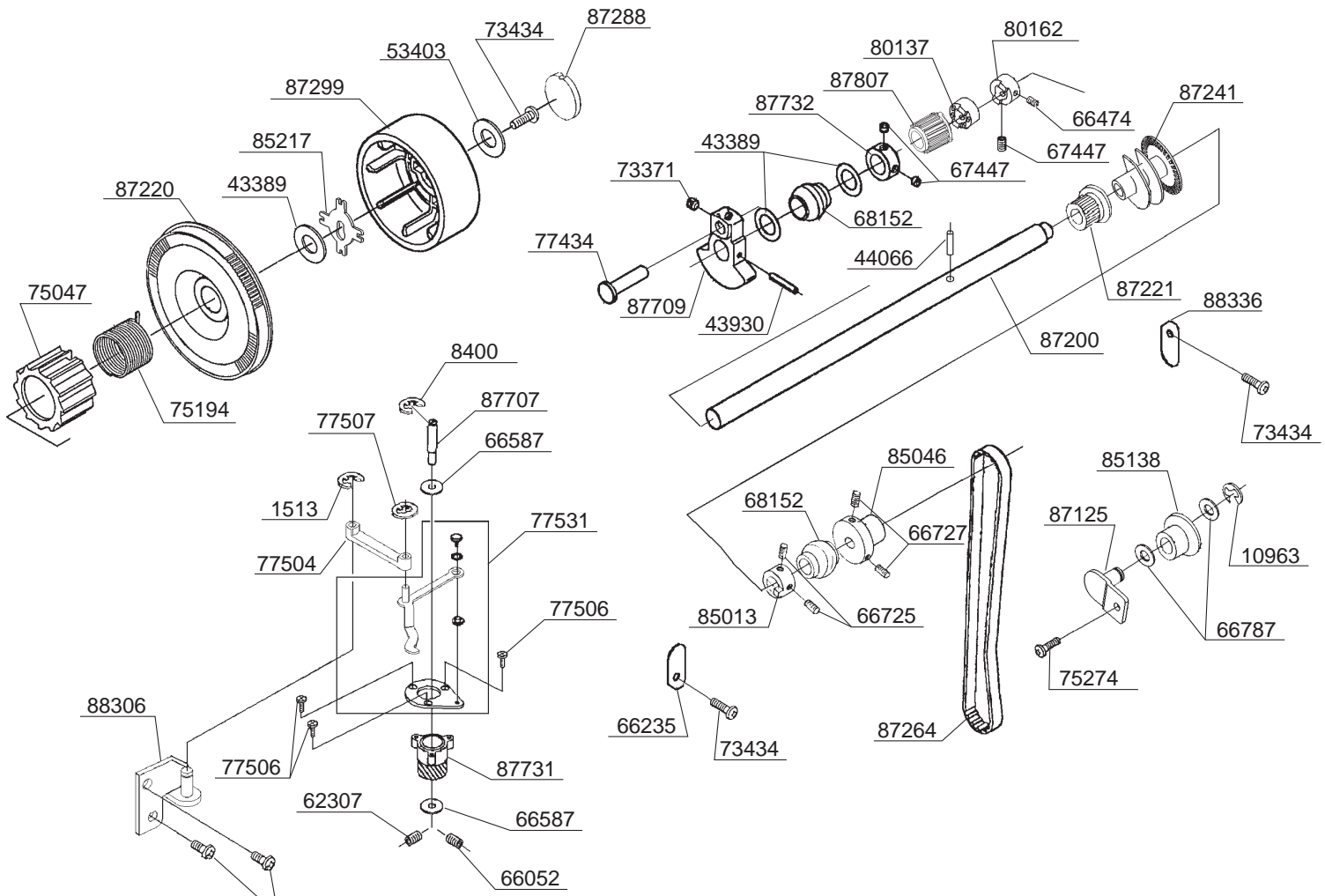
IMPORTANT:
WHEN ORDERING THE PARTS ALWAYS CHECK THE SERIAL NUMBER OF THE MACHINE.

FIRST DIGIT OF THE SERIAL NUMBER MUST MATCH WITH THE LAST DIGIT OF THE FACTOR MODEL BELOW.

FACTORY MODEL 78060

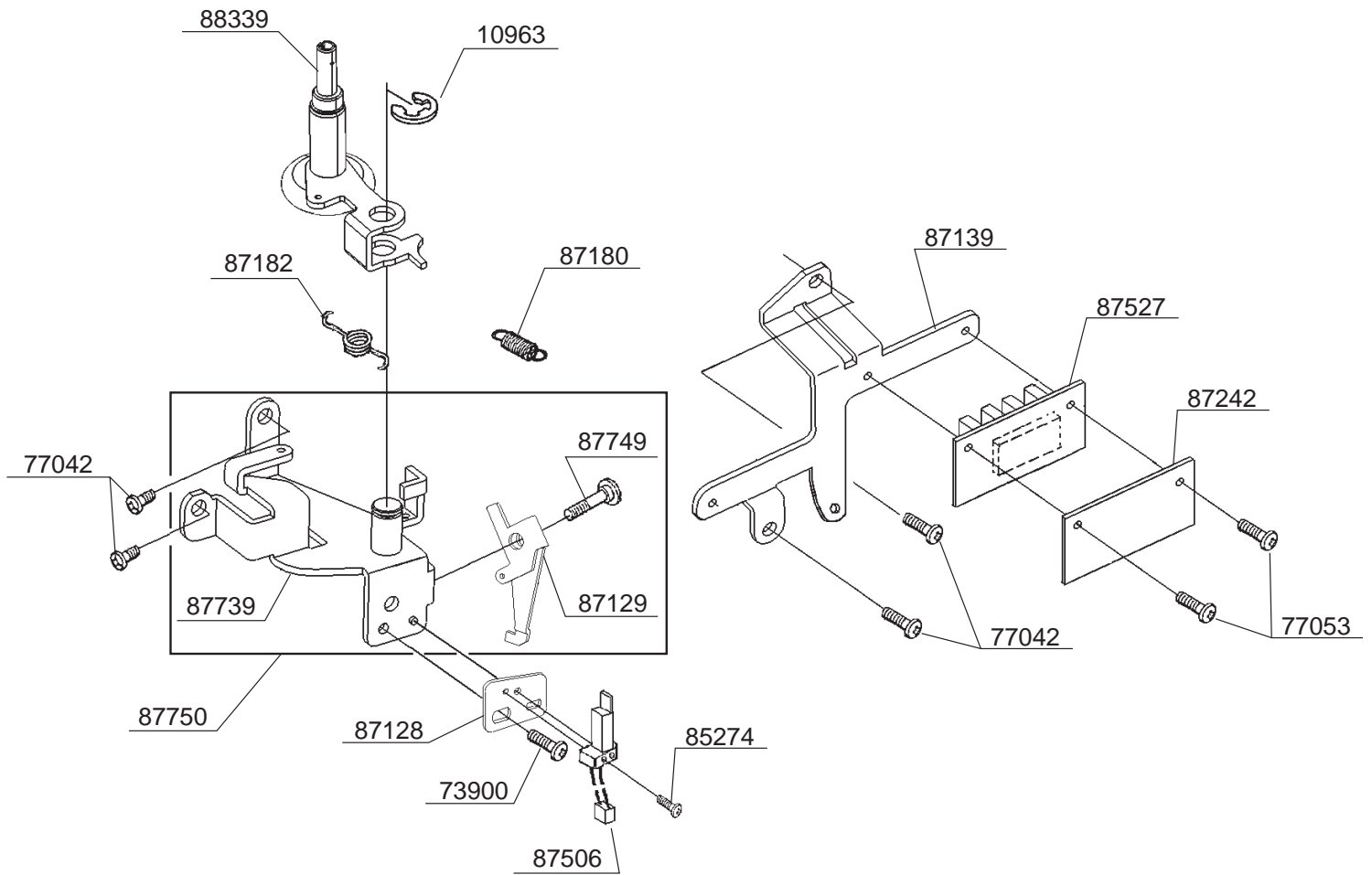


PART NO.	DESCRIPTION
1513	E4 CLIP-ON-WASHER
61224	M4 PHILIPS SCREW
77042	M4 PHILIPS SCREW
80070	CORD GUIDE
80109	BRACKET
87156	BRACKET
87216	PIN
88328	HANDLE BRACKET (L)
88329	HANDLE BRACKET (R)
88335	BRACKET
88354	HANDLE
88369	ACC. BOX

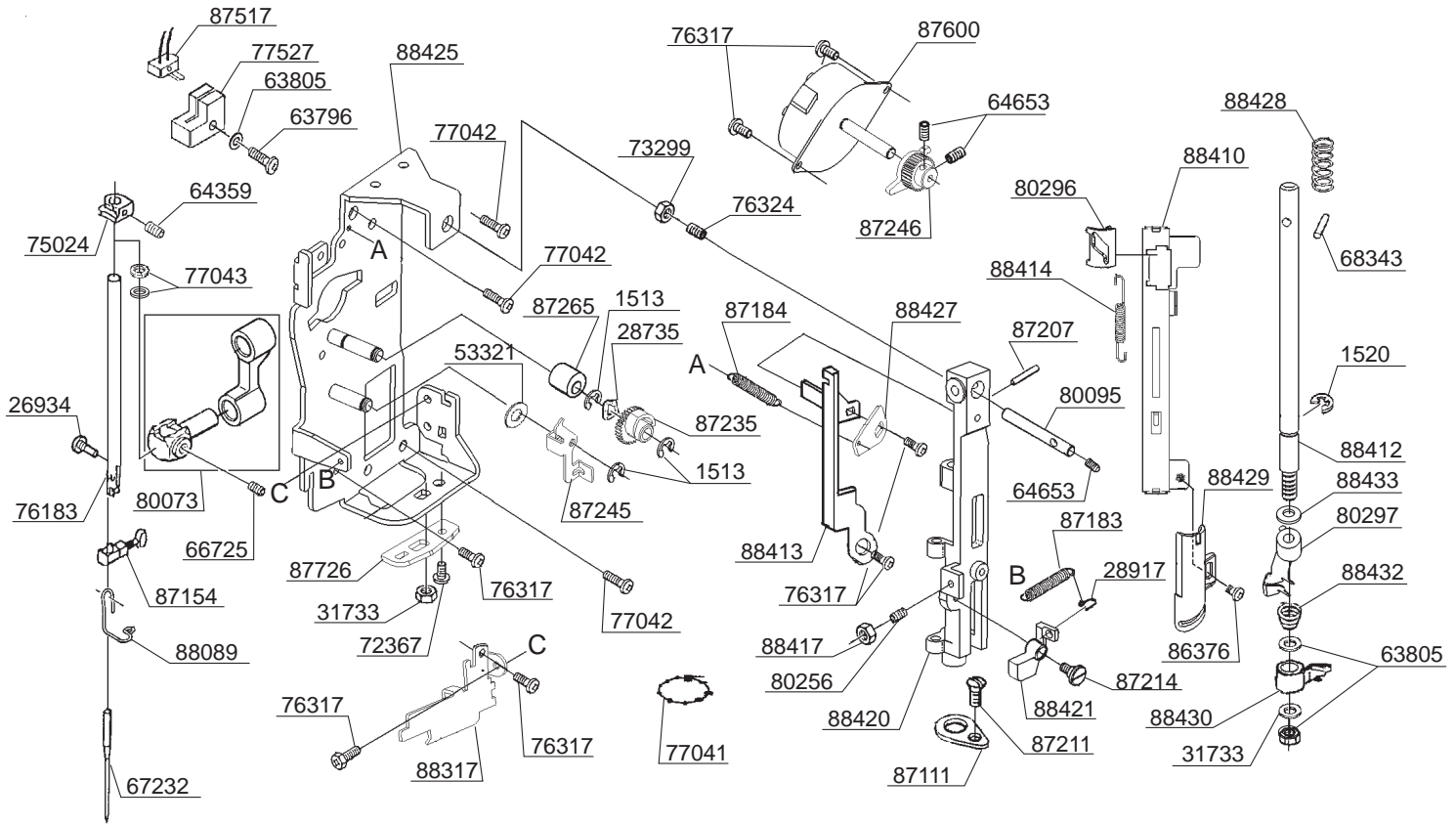


PART NO.	DESCRIPTION
1513	E4 CLIP-ON-WASHER
8400	E5 CLIP-ON-WASHER
10963	E6 CLIP-ON-WASHER
43389	THRUST WASHER
43930	SPRING PIN
44066	SPRING PIN
53403	WASHER
61224	M4 PHILIPS SCREW
62307	M4 SCREW
66052	M4 SCREW
66235	SECURING PLATE
66474	M5 SCREW
66587	WASHER
66725	M4 SCREW
66727	M4 SCREW
66787	WASHER
67447	M5 SCREW
68152	BALL BUSH
73371	M6 SCREW
73434	M4 PHILIPS SCREW
75047	CLUTCH
75194	TORSION SPRING
75274	M4 PHILIPS SCREW
77434	HEADED PIN
77504	TAKE-UP LEVER CRANK
77506	TAPPING SCREW
77507	SNAP RING $\phi 4$
77531	TAKE-UP LEVER

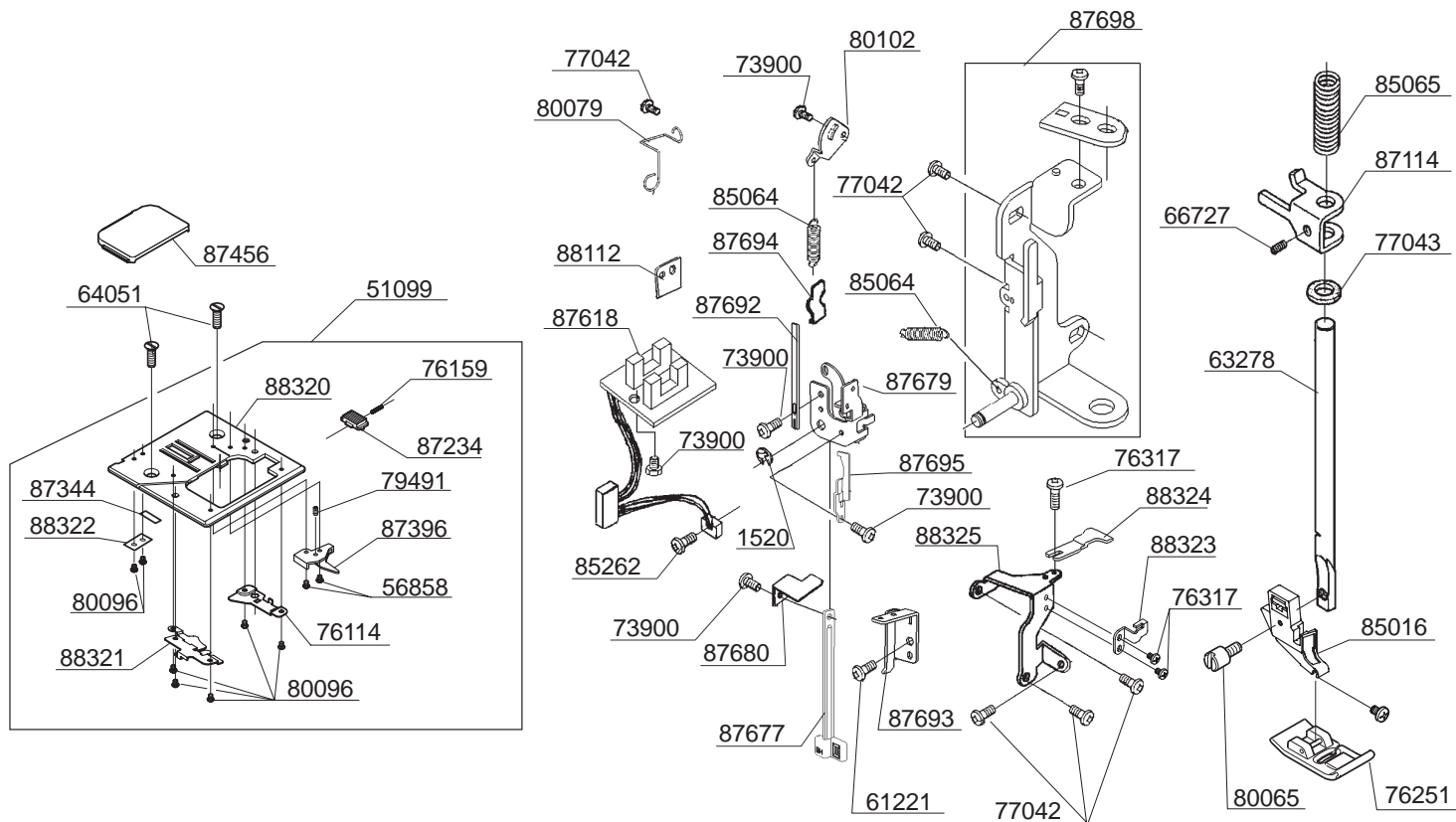
PART NO.	DESCRIPTION
80137	COUPLING
80162	FIXING RING
85013	POSITIONING COLLAR
85046	COLLAR
85138	TENSION ROLLER
85217	RETAINER
87125	IDLER PULLEY BRACKET
87200	MAIN SHAFT
87220	BELT PULLEY
87221	UPPER TIMING BELT GEAR
87241	ENCODER
87264	TIMING BELT
87288	PULLEY CAP
87299	PULLEY
87707	STUD SCREW
87709	BALANCER
87731	GEAR
87732	COLLAR
87807	MAIN SHAFT GEAR
88306	TAKE-UP LEVER SHAFT BLOCK
88336	SECURING PLATE



PART NO.	DESCRIPTION
10963	E6 CLIP-ON-WASHER
73900	M3 PHILIPS SCREW
77042	M4 PHILIPS SCREW
77053	M3 PHILIPS SCREW
85274	M2 SCREW
87128	MOUNTING BRACKET
87129	RETAINER
87139	MOUNTING BRACKET
87180	EXTENSION SPRING
87182	TORSION SPRING
87242	INSULATION SHEET
87506	SWITCH HARNESS
87527	PHOTO SENSOR CIRCUIT BOARD
87739	BOBBIN WINDER BRACKET
87749	M3 SHOULDER SCREW
87750	BOBBIN WINDER BRACKET UNIT
88339	BOBBIN WINDER UNIT

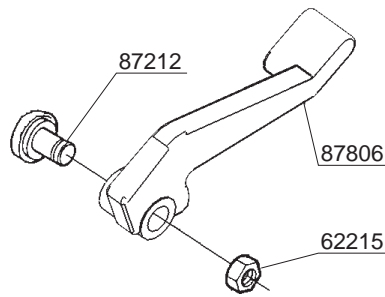
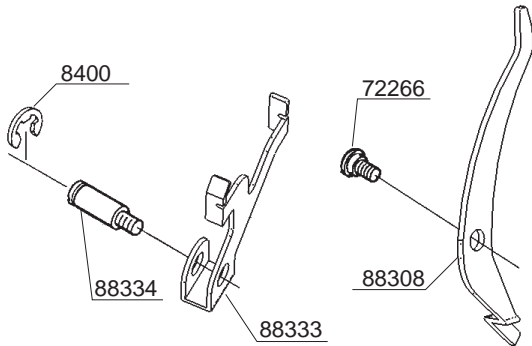
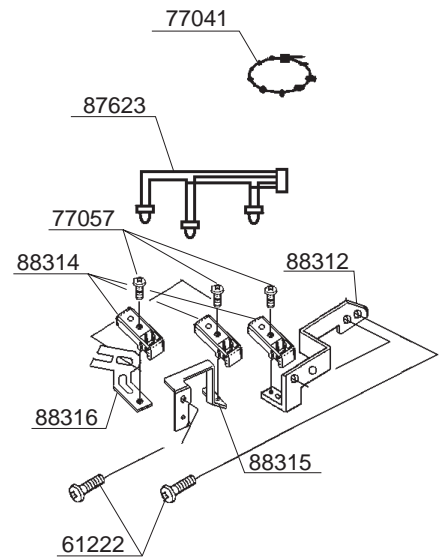
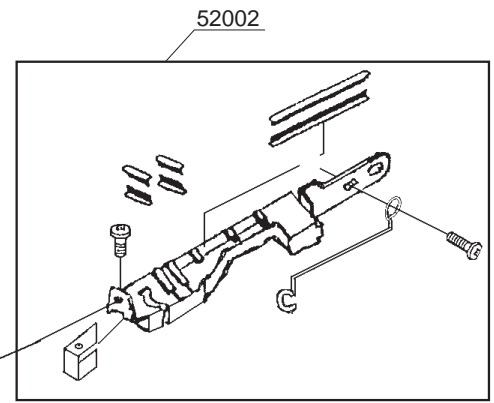
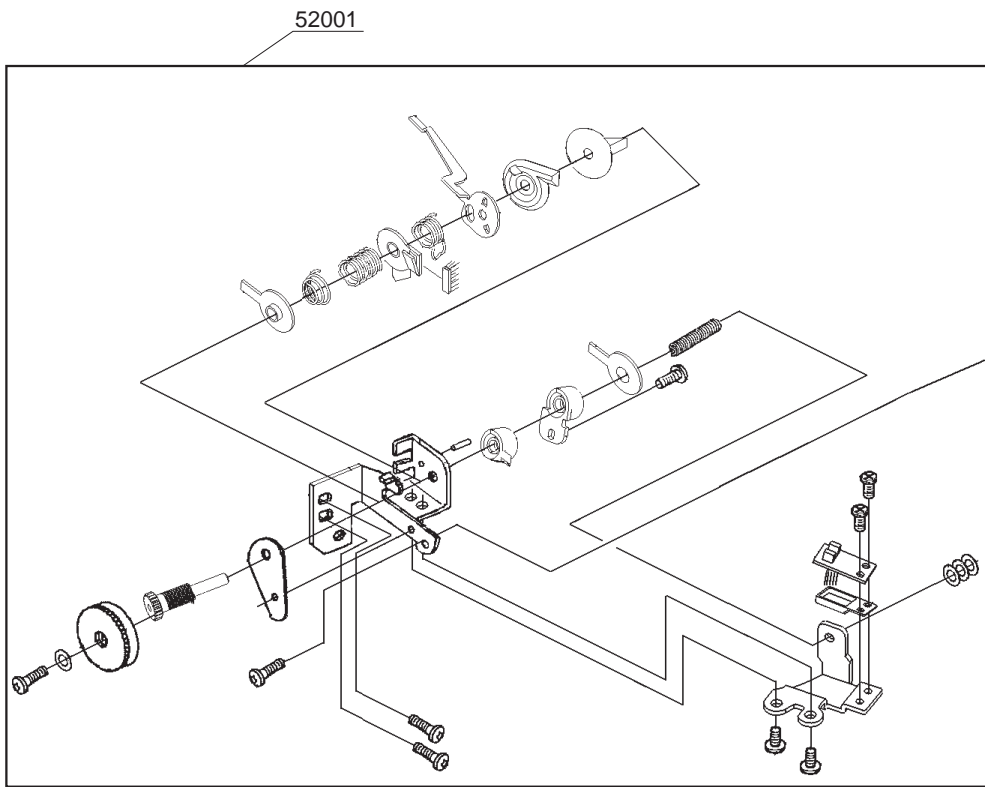


PART NO.	DESCRIPTION	PART NO.	DESCRIPTION
1513	E4 CLIP-ON-WASHER	87111	NEEDLE BAR SWING BRACKET
1520	E3 CLIP-ON-WASHER	87154	NEEDLE CLAMP SET
26934	#8 SCREW	87183	SPRING
28735	CRINKLE WASHER	87184	SPRING
28917	HOOK FOR SPRING	87207	STRAIGHT PIN
31733	M3 NUT	87211	M3 SCREW
53321	THRUST WASHER	87214	M3 SHOULDER SCREW
63796	M3 SCREW	87235	ZIGZAG CAM WITH GEAR
63805	WASHER	87245	BELL CLANK FOR ZIGZAG
64359	M4 SCREW	87246	PINION GEAR
64653	M3 SCREW	87265	SPACER
66725	M4 SCREW	87517	SWITCH HARNESS FOR ZIGZAG
67232	NEEDLE	87600	STEPPING MOTOR
68343	PIN	87726	NEEDLE BAR ADJUSTING PLATE
72367	M4 CP SCREW	88089	THREAD GUIDE
73299	M4 TORQUE NUT	88317	THREAD GUIDE PLATE
75024	STOPPER	88410	THREAD GUIDE A
76183	NEEDLE BAR	88412	THREADER SHAFT
76317	M3 PHILLIPS SCREW	88413	THREADER POSITIONING PLATE
76324	M4 SCREW	88414	EXTENSION SPRING
77041	UNITY FASTENER	88417	M3 AR NUT
77042	M4 PHILIPS SCREW	88420	NEEDLE BAR SUPPORT
77043	FELT	88421	ECCENTRIC CAM
77527	SENSOR COVER	88425	NEEDLE BAR SUPPORT BRACKET
80073	NEEDLE BAR CRANK SET	88427	SECURING PLATE
80095	STRAIGHT PIN	88428	COMPRESSION SPRING
80256	M3 SCREW	88429	THREAD GUIDE B
80296	THREAD GUIDE C	88430	THREADER ASSEMBLY
80297	TWIN THREADING HOOK SET	88432	SPRING
86376	M3 SCREW	88433	WASHER

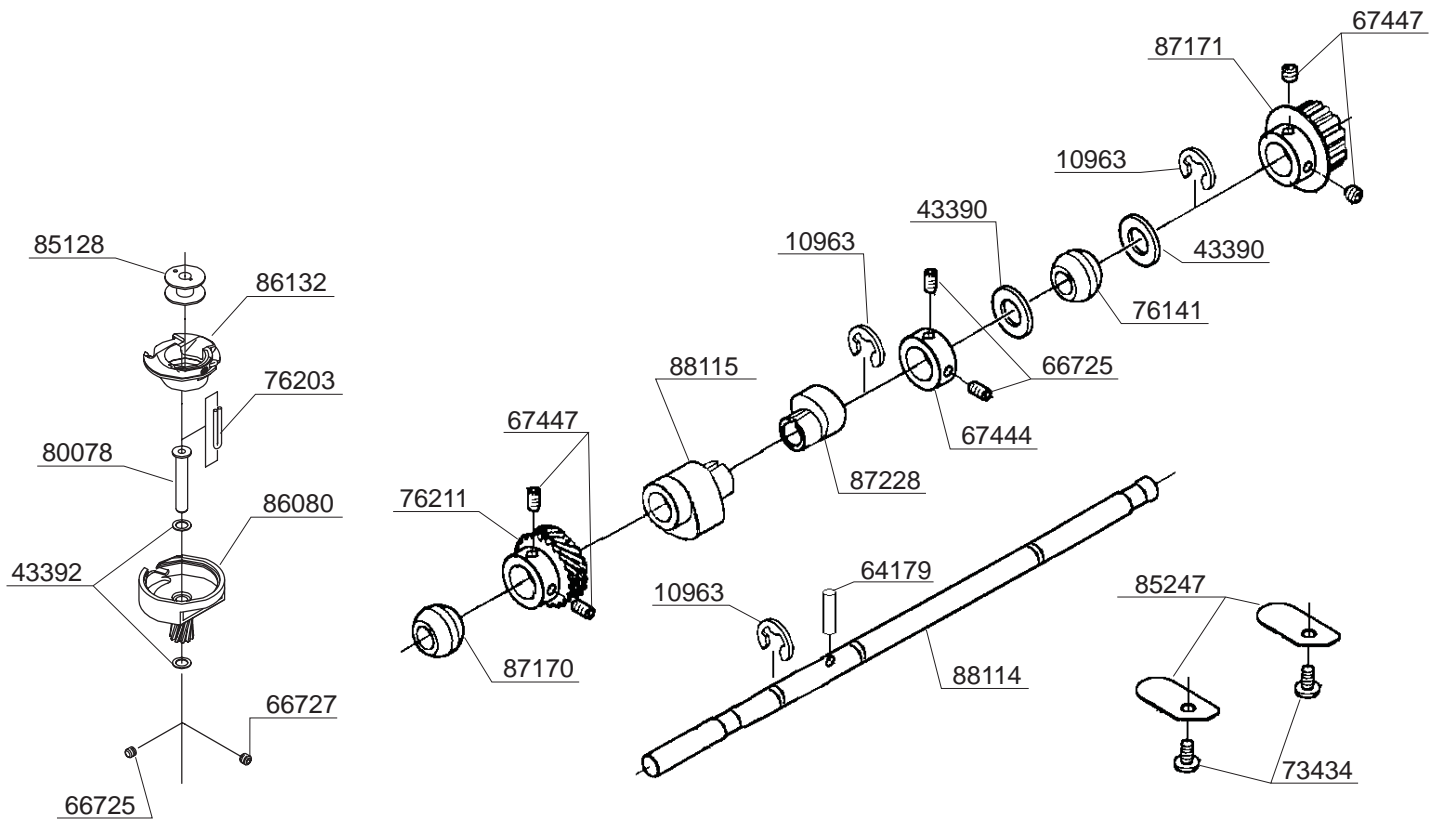


PART NO.	DESCRIPTION
1520	E3 CLIP-ON-WASHER
51099	NEEDLE PLATE SET
56858	M2 PHILIPS SCREW
61221	M4 PHILIPS SCREW
63278	PRESSER BAR
64051	M4 SCREW
66727	M4 SCREW
73900	M3 PHILIPS SCREW
76114	COVER GUIDE (R)
76159	COMPRESSION LEVER
76251	ZIGZAG PRESSER FOOT
76317	M3 PHILIPS SCREW
77042	M4 PHILIPS SCREW
77043	FELT
79491	SCREW
80065	#7 SCREW FOR SHANK
80079	CORD GUIDE
80096	M2 PHILIPS SCREW
80102	CONTROL PLATE
85016	PRESSER FOOT HOLDER
85064	EXTENSION SPRING
85065	COMPRESSION SPRING
85262	M2 SCREW
87114	PRESSURE BAR GUIDE
87234	RELEASE LEVER
87344	BLADE
87396	THREAD CONTROL PLATE
87456	NEEDLE COVER PLATE

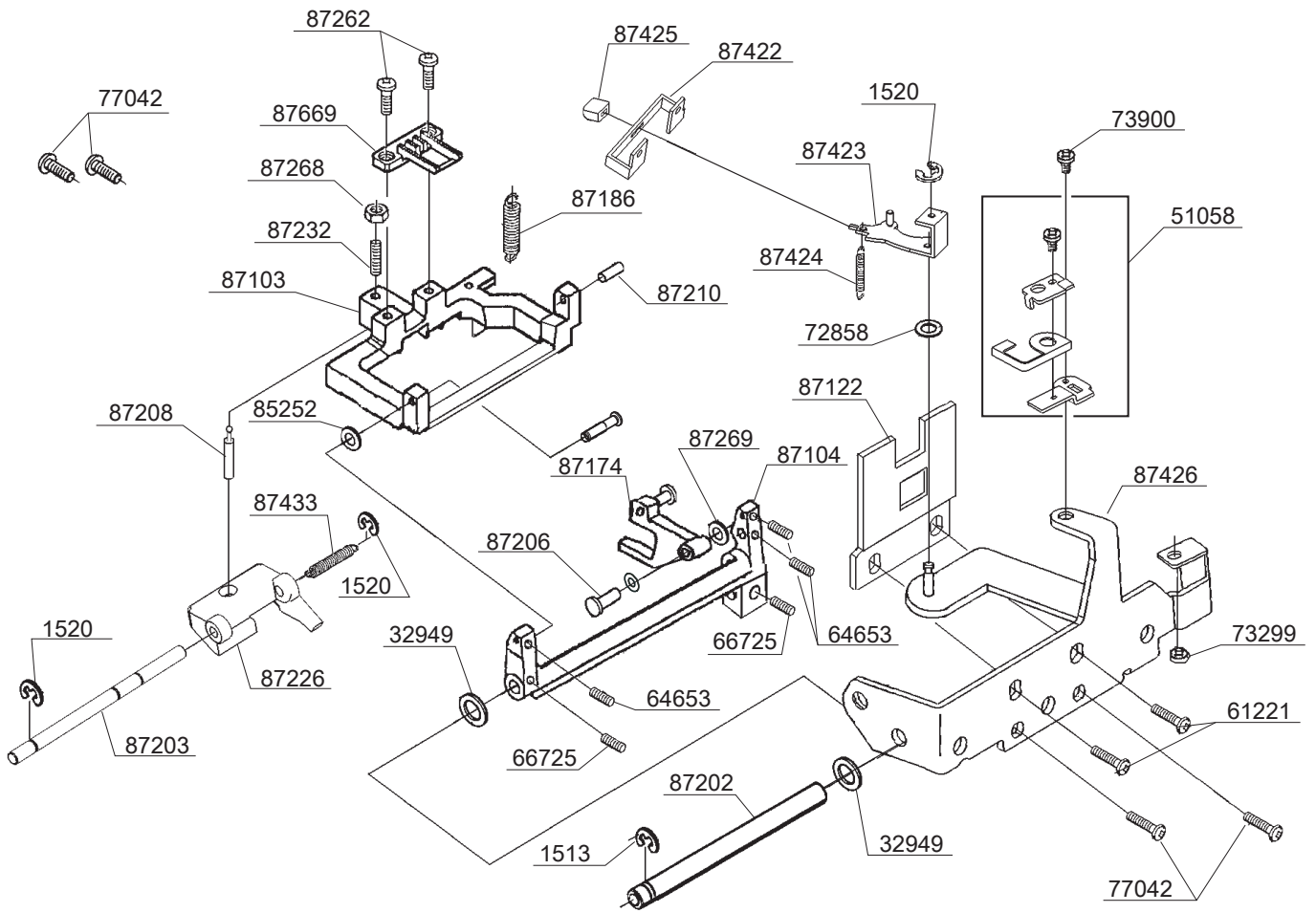
PART NO.	DESCRIPTION
87618	BH SWITCH HARNESS
87677	BH PLATE (A)
87679	BH PLATE (B)
87680	BH PLATE (C)
87692	BH LEAF
87693	BRACKET
87694	LEAF SPRING
87695	BH PLATE
87698	PRESSURE BAR BRACKET SET
88112	INSULATION SHEET
88320	NEEDLE PLATE
88321	COVER GUIDE (L)
88322	BLADE PALTE
88323	BRACKET
88324	BOBBIN CASE STOPPER
88325	BRACKET



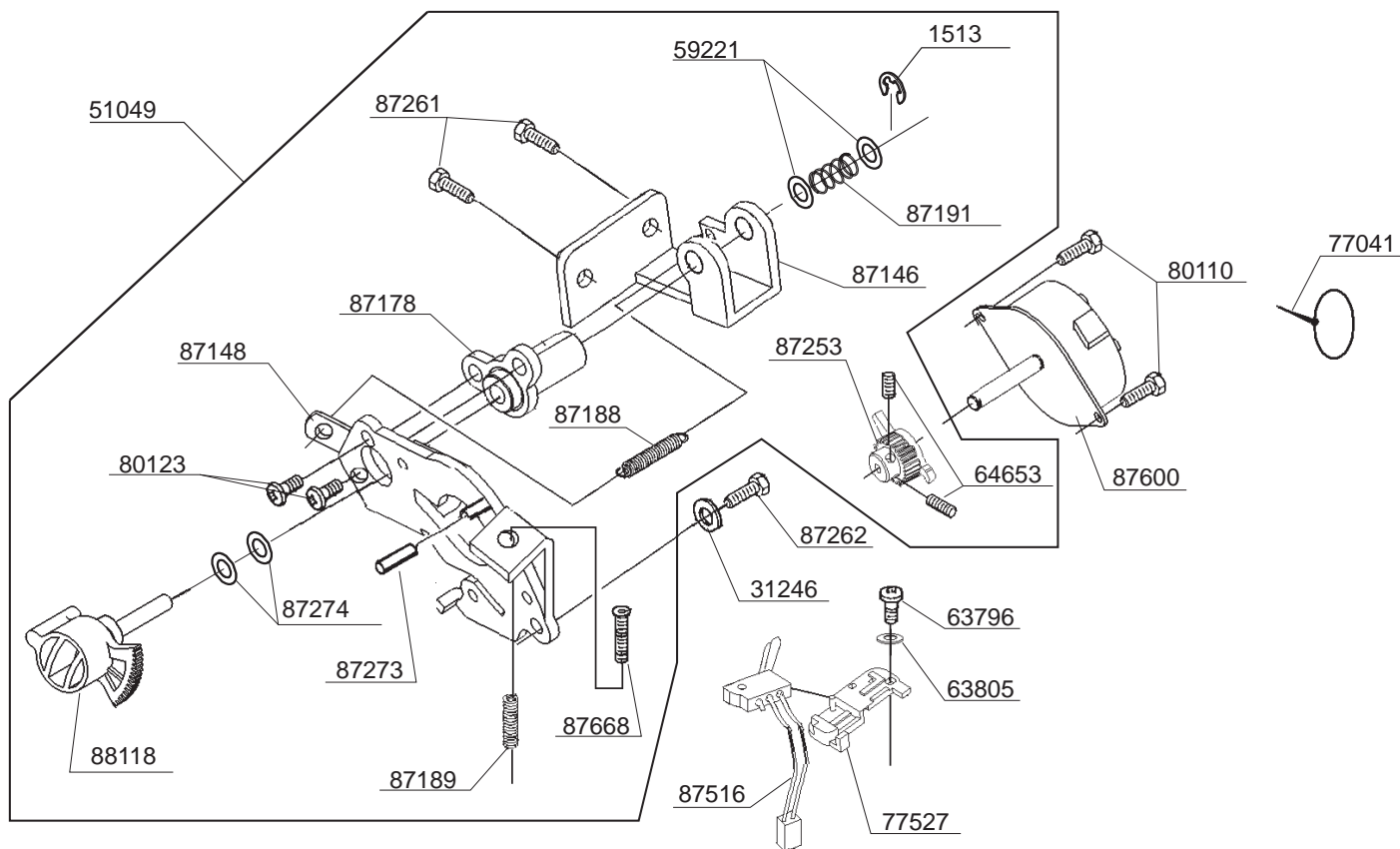
PART NO.	DESCRIPTION
8400	E5 CLIP-ON-WASHER
52001	TENSION ASSY
52002	THREAD GUIDE PLATE ASSY
61222	M4 PHILIPS SCREW
62215	M4 NUT
72266	M4 STUD SCREW
77041	UNITY FASTENER
77057	M3 PHILIPS SCREW
87212	M4 SCREW
87623	LED LIGHT
87806	PRESSURE BAR LIFTER
88308	TENSION RELEASE LEVER
88312	THREAD GUIDE PLATE
88314	LED LIGHT COVER
88315	LED LIGHT COVER BRACKET
88316	LED LIGHT COVER BRACKET
88333	BRACKET
88334	STUD



PART NO.	DESCRIPTION
10963	E6 CLIP-ON-WASHER
43390	THRUST WASHER
43392	THRUST WASHER
64179	SPRING PIN
66725	M4 SCREW
66727	M4 SCREW
67444	COLLAR
67447	M5 SCREW
73434	M4 PHILIPS SCREW
76141	BALL METAL
76203	OILING CORD
76211	BEVEL GEAR
80078	SHUTTLE RACE SHAFT
85128	BOBBIN
85247	SECURING PLATE
86080	SHUTTLE RACE
86132	BOBBIN CASE
87170	BALL METAL
87171	TIMING BELT GEAR (LOWER)
88114	LOWER STRAIGHT SHAFT
88115	LIFTING CAM
87228	FEED CAM

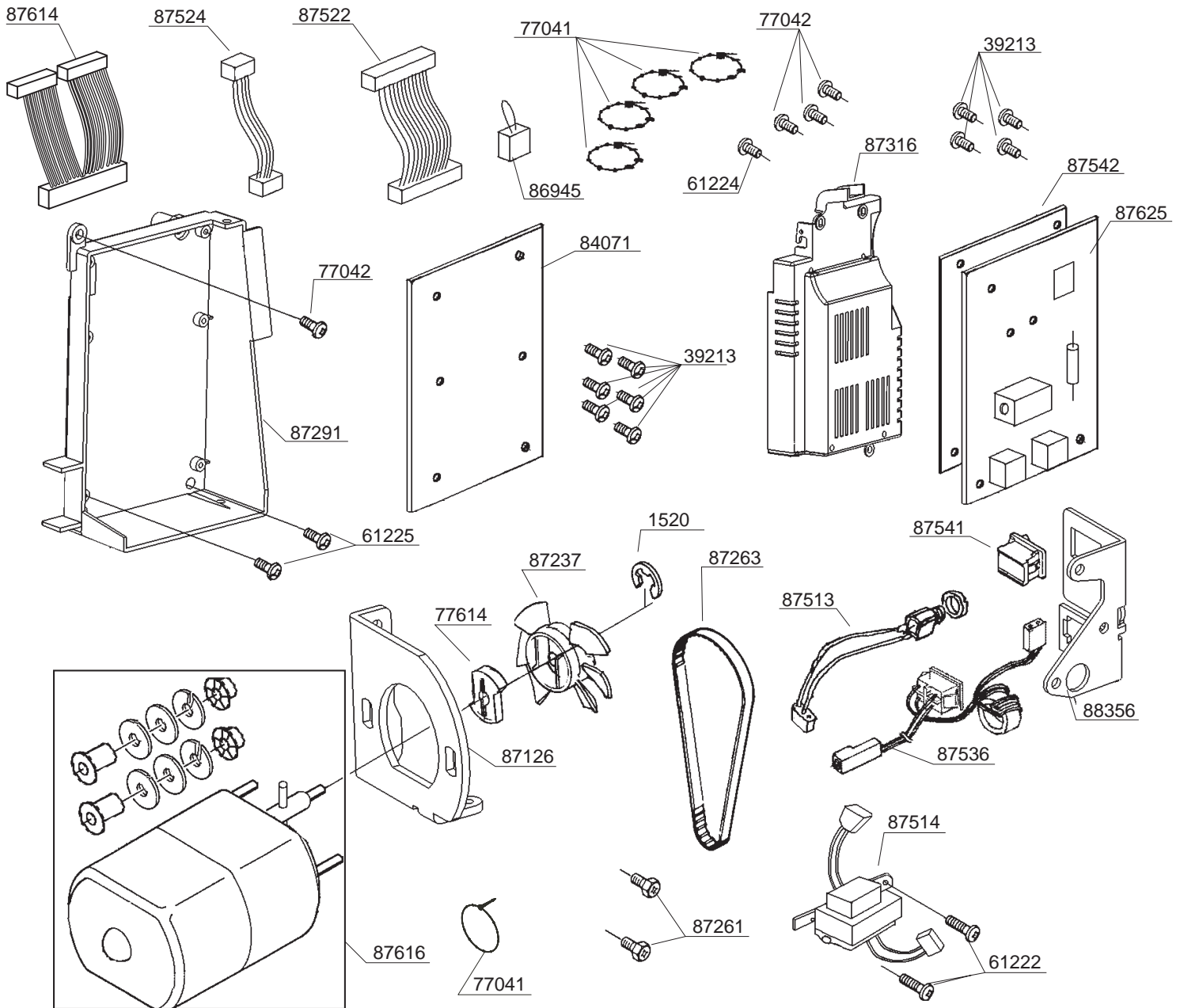


PART NO.	DESCRIPTION	PART NO.	DESCRIPTION
1513	E4 CLIP-ON-WASHER	87422	DROP GUIDE
1520	E3 CLIP-ON-WASHER	87423	DROP LEVER
32949	WASHER	87424	TORSION SPRING
51058	RETAINER SET	87425	DROP KNOB
61221	M4 PHILIPS SCREW	87426	SECURING BRACKET
64653	M3 SCREW	87433	TORSION SPRING
66725	M4 SCREW	87669	FEED DOG
72858	WASHER		
73299	M4 TORQUE NUT		
73900	M3 PHILIPS SCREW		
76132	SHAFT		
77042	M4 PHILIPS SCREW		
85252	WASHER		
87103	FEED DOG BASE		
87104	FEED DOG BASE SUPPORT		
87122	SUPPORT PLATE		
87174	FORKED CRANK		
87186	TORSION SPRING		
87202	SHAFT		
87203	SHAFT		
87206	PIN		
87208	BALL HEADED PIN		
87210	PIN		
87226	VERTICAL FEED BLOCK		
87232	M6 STUD SCREW		
87262	M3 CP SCREW		
87268	M6 NUT		
87269	WASHER		



PART NO.	DESCRIPTION
1513	E4 CLIP-ON-WASHER
31246	WASHER
51049	FEED REGULATOR UNIT
59221	WASHER
63796	M3 SCREW
63805	WASHER
64653	M3 SCREW
77041	UNITY FASTENER
77527	SENSOR COVER
80110	M3 PHILIPS SCREW
80123	M3 PHILIPS SCREW
87146	BRACKET
87148	STEPPING MOTOR BRACKET
87178	FEED REGULATOR SHAFT METAL BUSH
87188	EXTENSION SPRING
87189	COMPRESSION SPRING
87191	COMPRESSION SPRING
87253	PINION GEAR
87261	CP BOLT
87262	M3 CP SCREW
87273	PIN
87274	WASHER
87516	SWITCH HARNESS
87600	STEPPING MOTOR
87668	M4 BOLT
88118	FEED REGULATOR

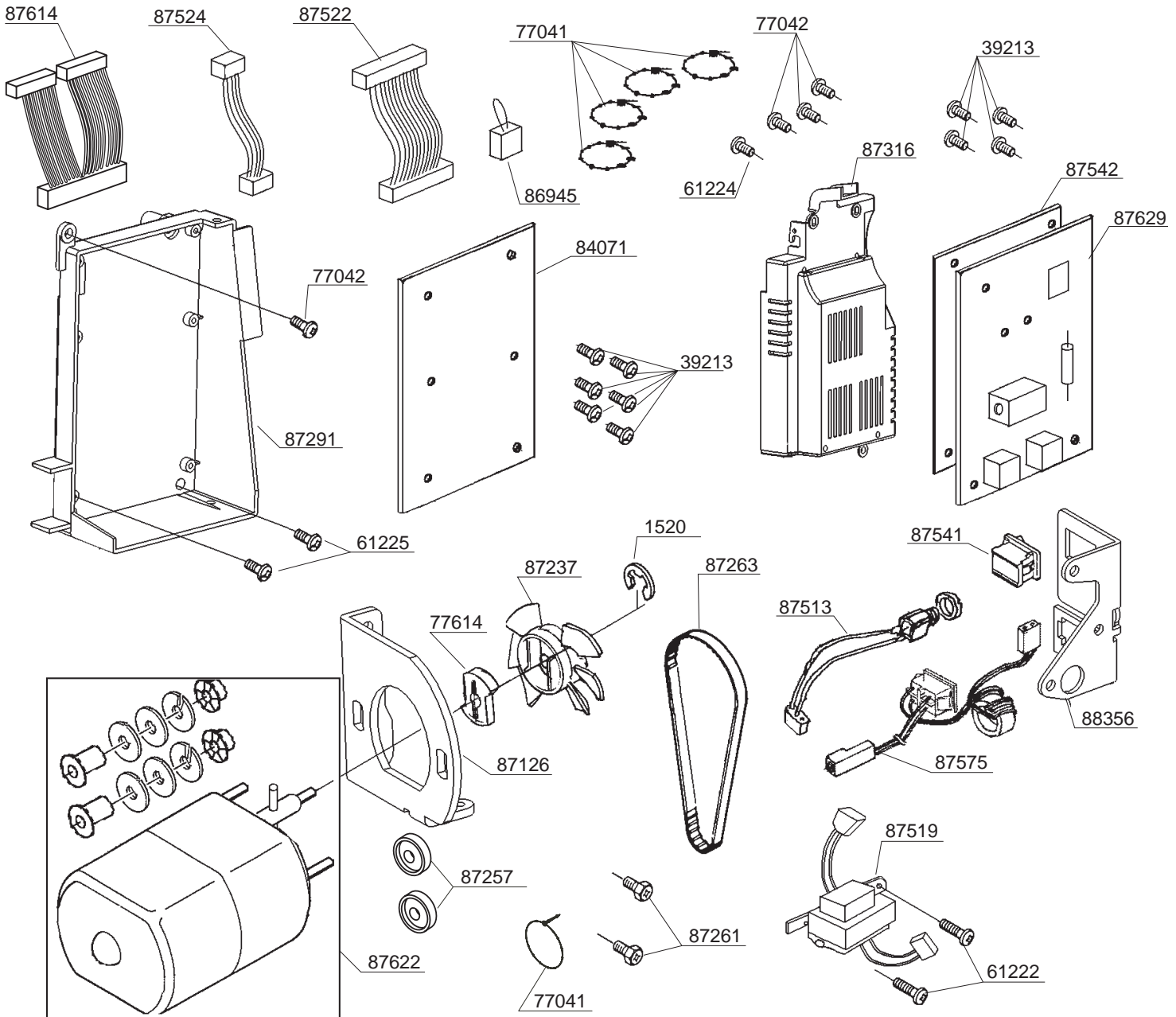
120 V



PART NO.	DESCRIPTION
1520	E3 CLIP-ON-WASHER
39213	M3 SCREW
61222	M4 PHILIPS SCREW
61224	M4 PHILIPS SCREW
61225	M4 PHILIPS SCREW
77041	UNITY FASTENER
77042	M4 PHILLIPS SCREW
77614	GEAR CLUTCH
84071	CPU CIRCUIT BOARD
86945	JUMPER HARNESS
87126	MAIN MOTOR BRACKET
87237	MOTOR FAN
87261	CP BOLT
87263	DRIVING BELT
87291	CPU CIRCUIT BOARD BOX
87316	AC CIRCUIT BOARD BOX
87513	PIN-JACK HARNESS
87514	TRANSFORMER
87522	13P CORD HARNESS

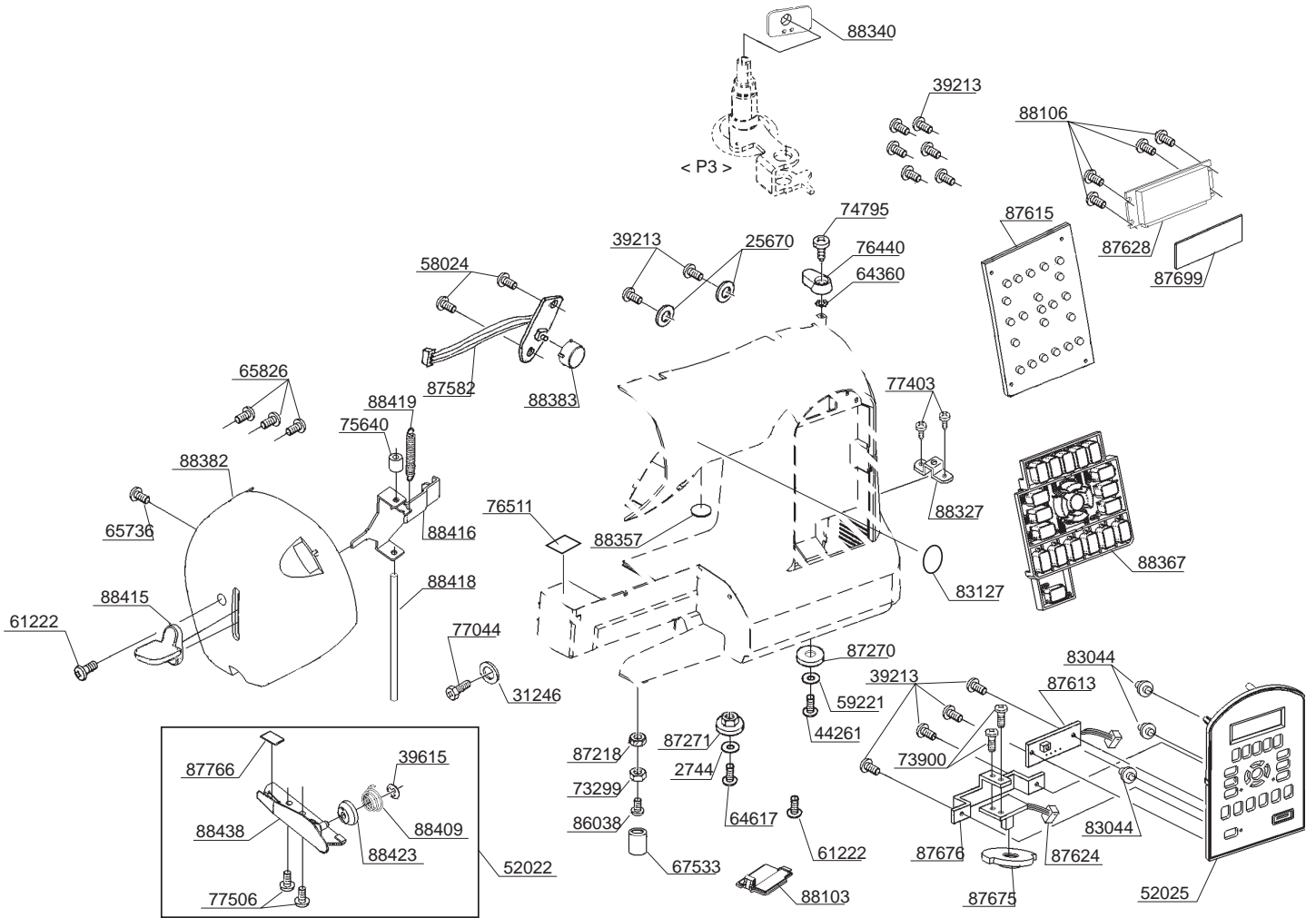
PART NO.	DESCRIPTION
87524	5P CORD HARNESS
87536	INLET HARNESS
87541	SWITCH
87542	INSULATION SHEET
87614	CORD HARNESS
87616	MAIN MOTOR
87625	CIRCUIT BOARD
88356	SWITCH BRACKET

230V

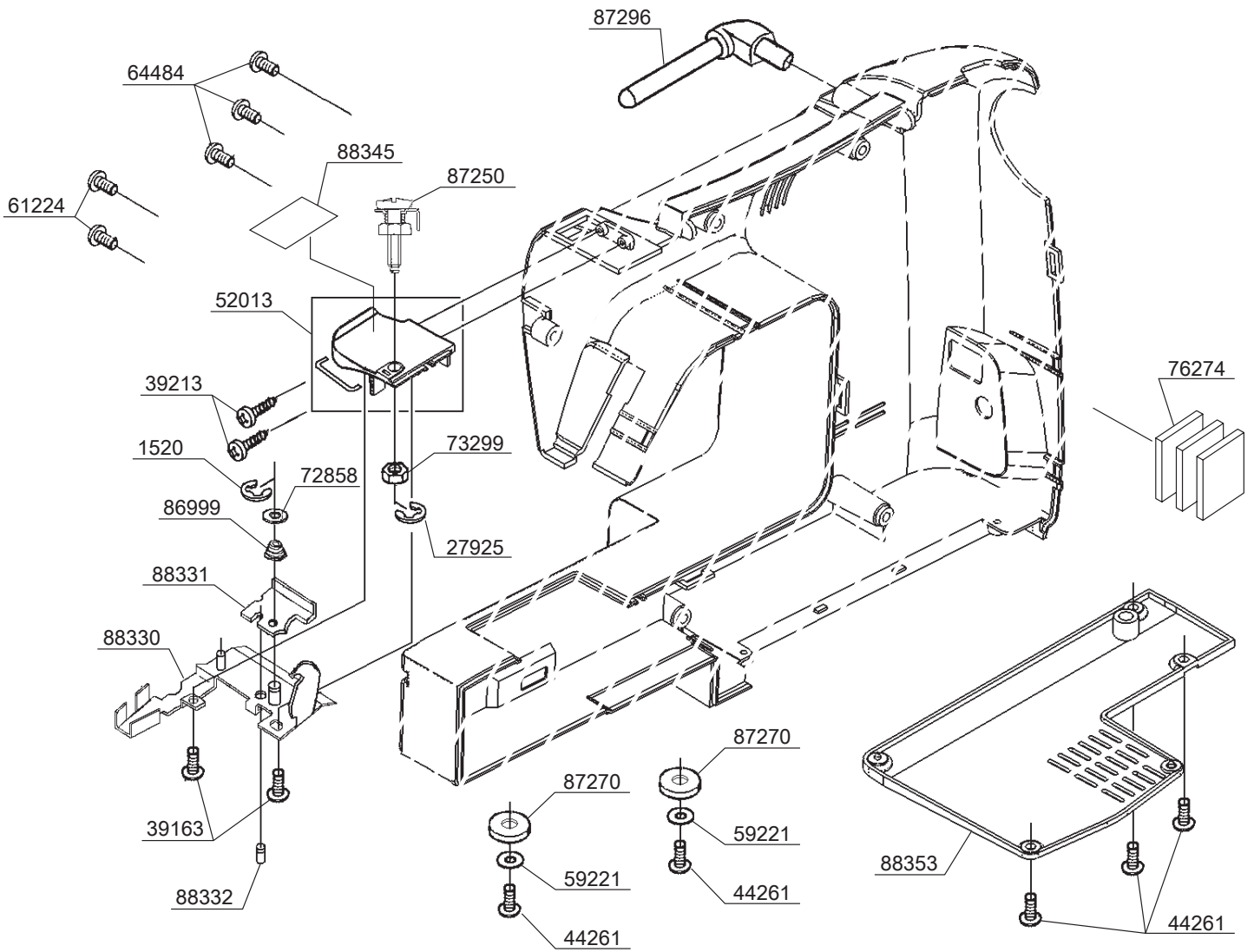


PART NO.	DESCRIPTION
1520	E3 CLIP-ON-WASHER
39213	M3 SCREW
61222	M4 PHILIPS SCREW
61224	M4 PHILIPS SCREW
61225	M4 PHILIPS SCREW
77041	UNITY FASTENER
77042	M4 PHILLIPS SCREW
77614	GEAR CLUTCH
84071	CPU CIRCUIT BOARD
86945	JUMPER HARNESS
87126	MAIN MOTOR BRACKET
87237	MOTOR FAN
87257	BUSH
87261	CP BOLT
87263	DRIVING BELT
87291	CPU CIRCUIT BOARD BOX
87316	AC CIRCUIT BOARD BOX
87513	PIN-JACK HARNESS
87519	TRANSFORMER

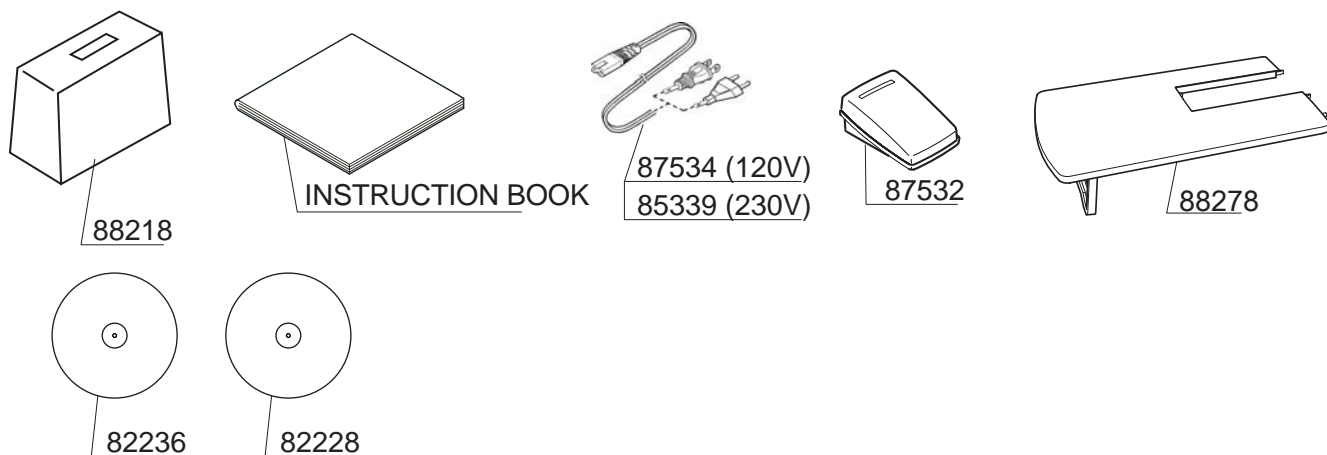
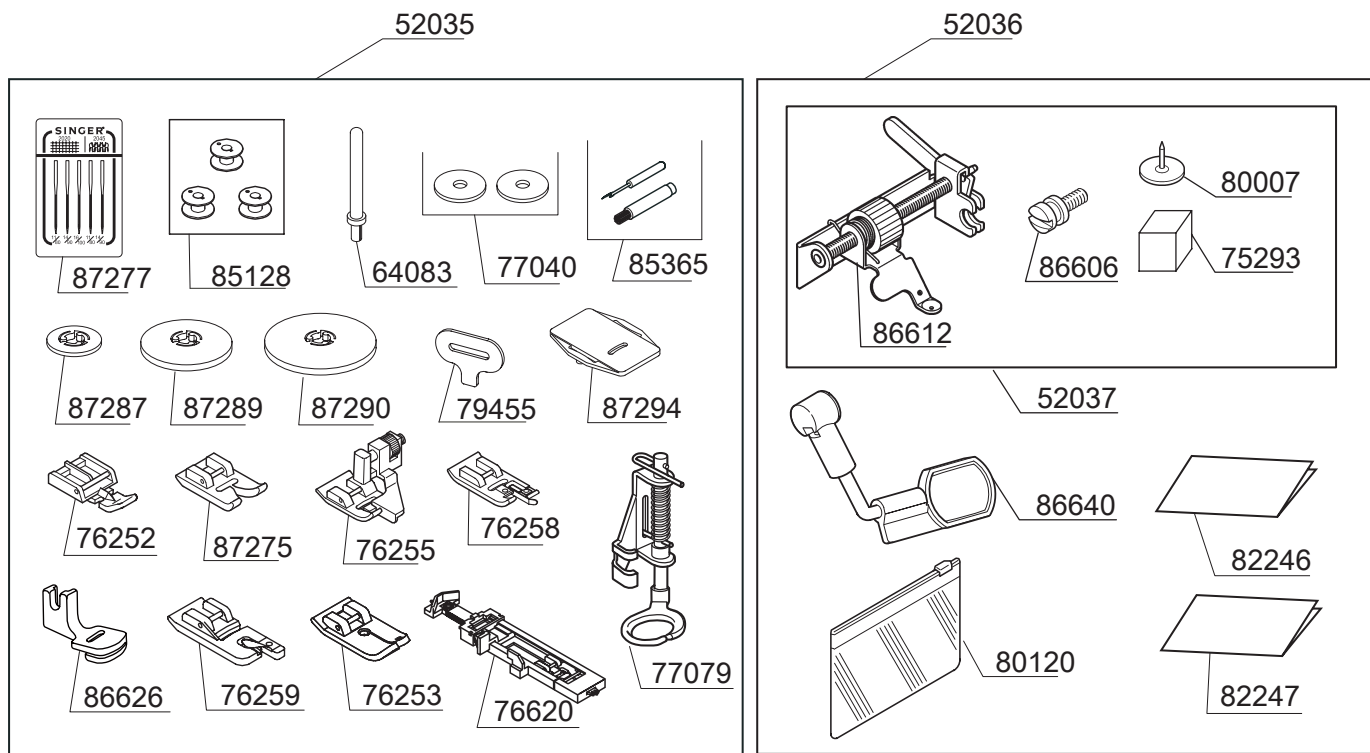
PART NO.	DESCRIPTION
87522	13P CORD HARNESS
87524	5P CORD HARNESS
87541	SWITCH
87542	INSULATION SHEET
87575	INLET HARNESS
87614	CORD HARNESS
87622	MAIN MOTOR
87629	CIRCUIT BOARD
88356	SWITCH BRACKET



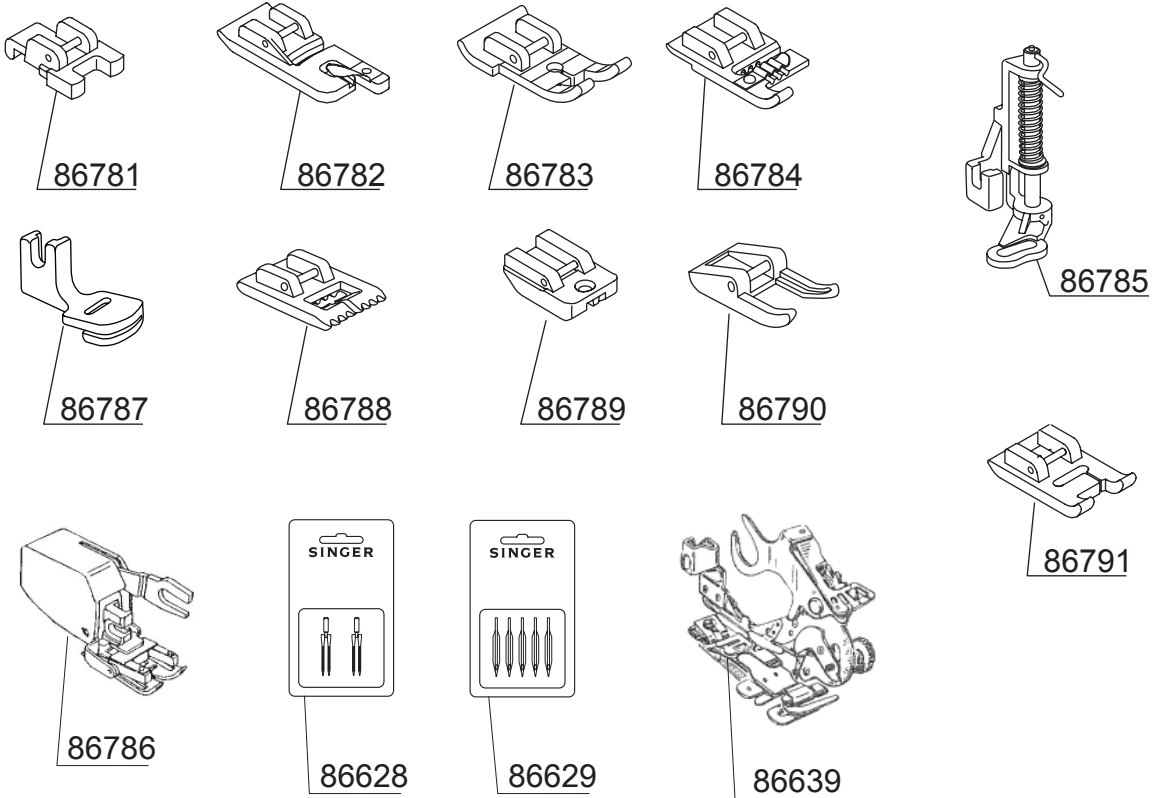
PART NO.	DESCRIPTION	86038	STUD SCREW
2744	WASHER	87218	NUT
25670	WASHER	87270	RUBBER FOOT
31246	WASHER	87271	RUBBER FOOT
39213	M3 SCREW	87582	SWITCH HARNESS
39615	CLIP-ON-WASHER	87613	NDL STOP OPSITION SW HARNESS
44261	M4 SCREW	87615	SWITCH CIRCUIT BOARD
52025	CONTRAST PANEL	87624	LCD CONTRAST VOLUME HARNESS
52022	THREAD HOLDER SET	87628	LCD UNIT
58024	TAPPING SCREW	87675	CONTRAST KNOB
59221	WASHER	87676	BRACKET
61222	M4 PHILIPS SCREW	87699	PROTECTOR FOR LED
64360	TOOTHED WASHER	87766	BLADE
64617	TAPPING SCREW	88103	COVER
65736	M4 PHILIPS SCREW	88106	TAPPING SCREW
65826	M3 SCREW	88327	FRONT COVER BRACKET
67533	RUBBER CUSHION	88340	BRACKET
73299	M4 TORQUE NUT	88357	PLATE
73900	M3 PHILIPS SCREW	88367	PATTERN SWITCH
74795	TAPPING SCREW	88382	FACE COVER
75640	VINYL TUBE	88383	BUTTON
76440	BOBBIN WINDER LATCH	88409	SPRING
76511	SEAL	88415	THREADER LEVER
77044	M3 PHILIPS SCREW	88416	BRACKET
77403	SCREW	88418	THREADER SHAFT
77506	M3 SCREW	88419	EXTENSION SPRING
83044	LED PANEL	88423	HOLDER TENSION DISC
83127	SEAL	88438	THREAD HOLDER



PART NO.	DESCRIPTION	PART NO.	DESCRIPTION
1520	E3 CLIP-ON-WASHER	88345	SEAL
27925	E2.5 CLIP-ON-WASHER	88353	BOTTOM COVER
39163	TAPPING SCREW		
39213	M3 SCREW		
44261	M4 SCREW		
52013	TENSION COVER		
59221	WASHER		
61224	M4 PHILIPS SCREW		
64484	TAPPING SCREW		
72858	WASHER		
73299	M4 TORQUE NUT		
76274	SPACER		
86999	SPRING		
87250	M4 SPECIAL SCREW UNIT		
87270	RUBBER FOOT		
87296	SPOOL PIN UNIT		
88330	THREAD PLATE		
88331	THREAD REGULATE PLATE		
88332	PIN		



PART NO.	DESCRIPTION		
52011	ACCESSORY SET	87287	SPOOL PIN CAP (MINI)
76252	ZIPPER FOOT	87289	SPOOL PIN CAP (SMALL)
76255	BLIND STITCH FOOT	87290	SPOOL PIN CAP (LARGE)
76630	BUTTONHOLE PLATE	87332	EXTENSION TABLE
77040	SPOOL PIN DISC	87532	FOOT CONTROL (PIN-JACK TYPE)
79455	LARGE SCREW DRIVER	87534	POWER CORD (120V)
82174	QUICK START GUIDE SEET (USA ONLY)	87601	POWER CORD (BRAZIL ONLY)
82193	INSTRUCTION BOOK (Eng/Fre/Spa)	87696	BUTTONHOLE FOOT
82197	QUICK START GUIDE DVD (USA ONLY)	88366	SPOOL PIN
85015	SATIN FOOT		
85128	BOBBIN		
85338	POWER CORD (UK, MALAYSIA ONLY)		
85339	POWER CORD (230V)		
85343	POWER CORD (AUSTRALIA ONLY)		
85349	POWER CORD (KOREA ONLY)		
85354	POWER CORD (CHINA ONLY)		
85365	BUTTONHOLE OPENER / BRUSH		
85670	LOCK CUTTER		
87277	NEEDLE SET		
87286	VINYL COVER		



PART NO.	DESCRIPTION
86628	TWIN NEEDLES (EX TPO)
86629	WING NEEDLES (EX TPO)
86639	RUFFLER (EX TPO)
86781	BUTTON SEWING FOOT (EX TPO)
86782	ROLLED HEMMER (EX TPO)
86783	1/4-INCH FOOT (EX TPO)
86784	CORDING FOOT (EX TPO)
86785	DARNING & EMBROIDERY FOOT (EX TPO)
86786	EVEN FEED FOOT (EX TPO)
86787	GATHERING FOOT (EX TPO)
86788	PINTUCK FOOT (EX TPO)
86789	INVISIBLE ZIPPER FOOT (EX TPO)
86790	OPEN TOE FOOT (EX TPO)
86791	SATIN FOOT (EX TPO)