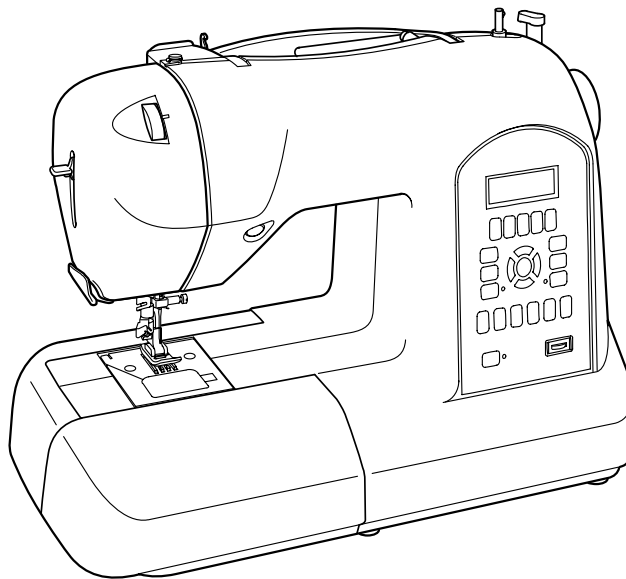
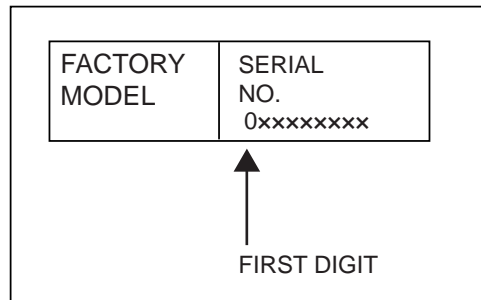


8770



Liste de pièces  
Lista de Piezas  
Parts List



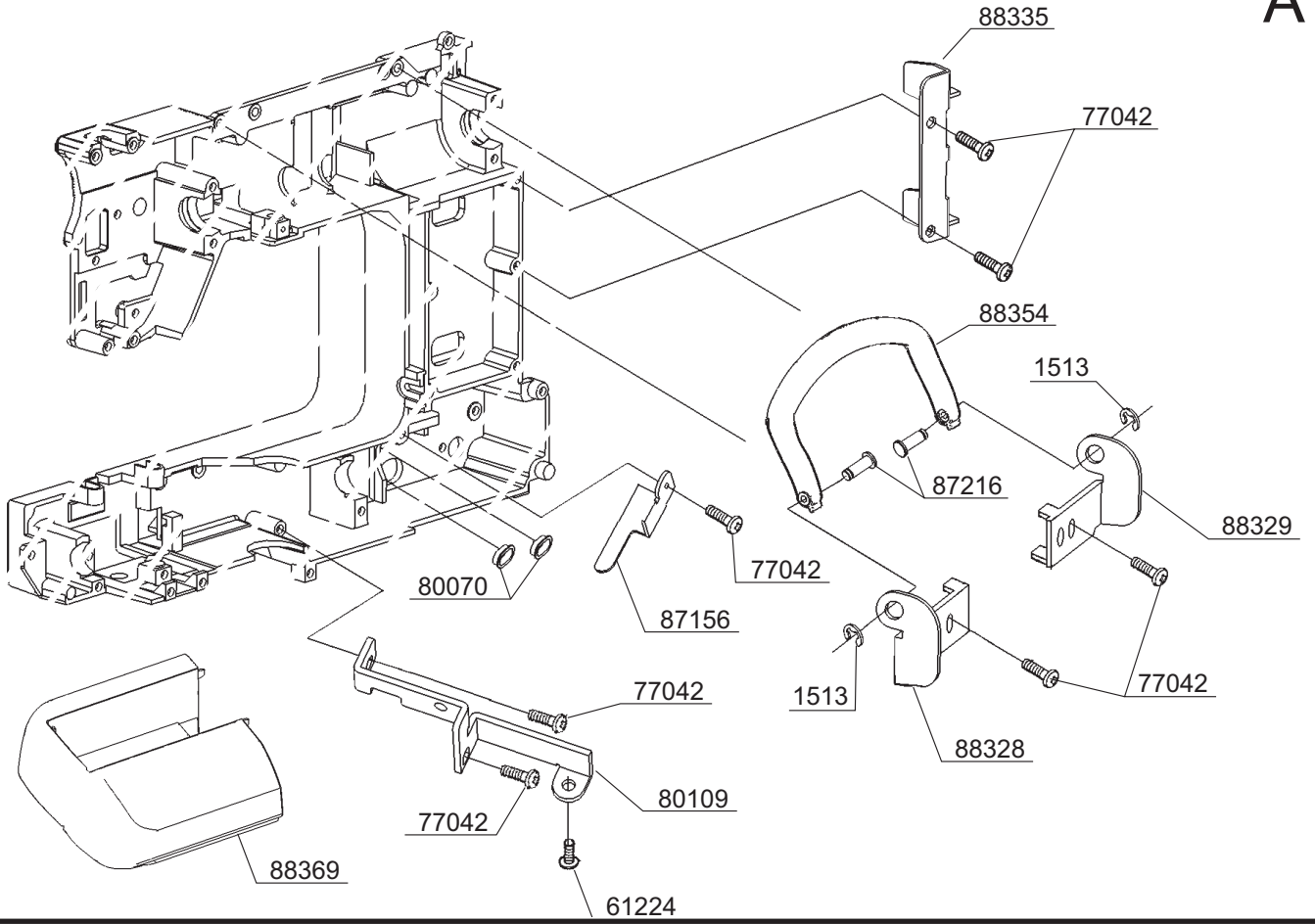
**IMPORTANT:**

WHEN ORDERING THE PARTS ALWAYS CHECK THE SERIAL NUMBER OF THE MACHINE.

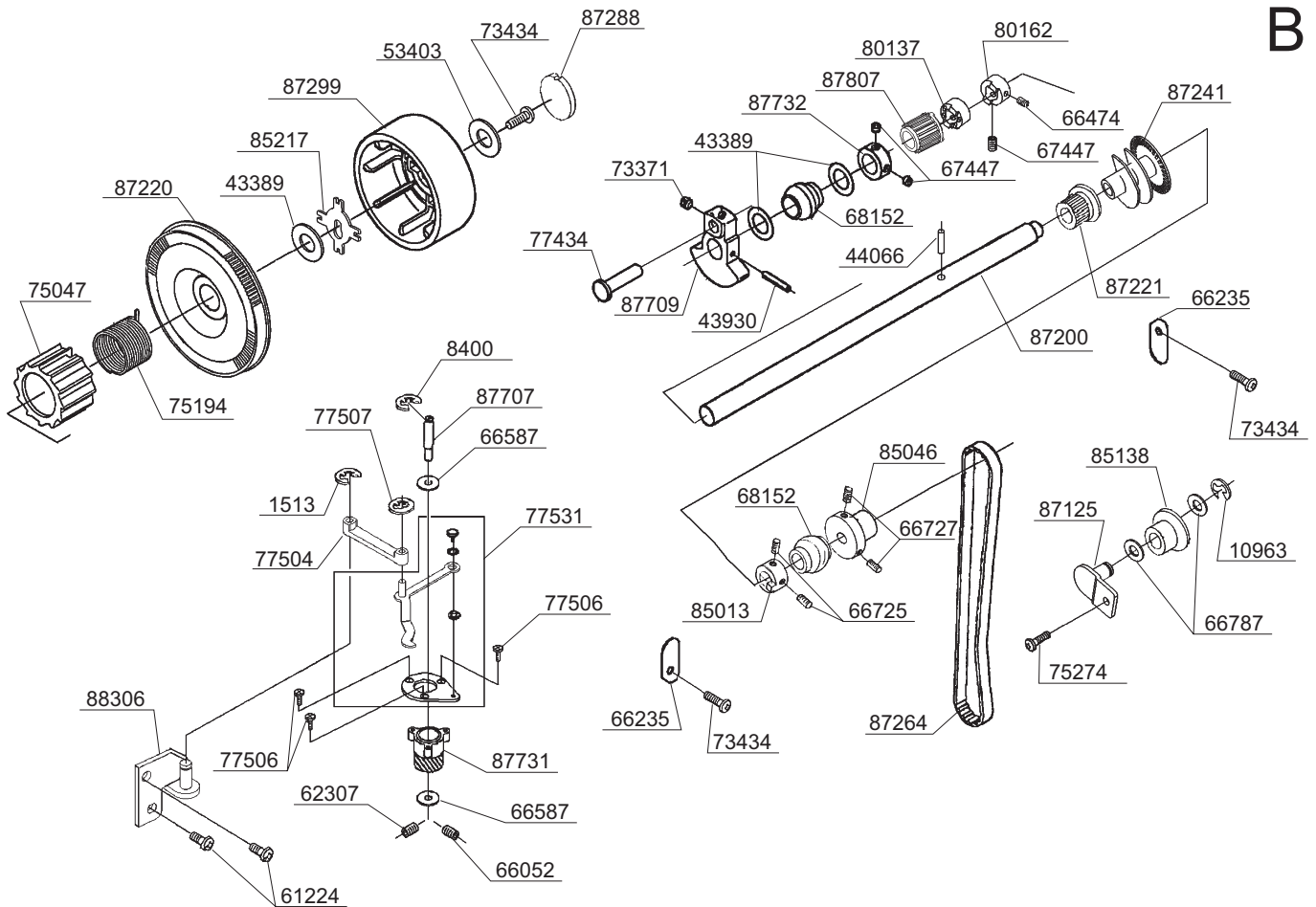
FIRST DIGIT OF THE SERIAL NUMBER MUST MATCH WITH THE LAST DIGIT OF THE FACTOR MODEL BELOW.

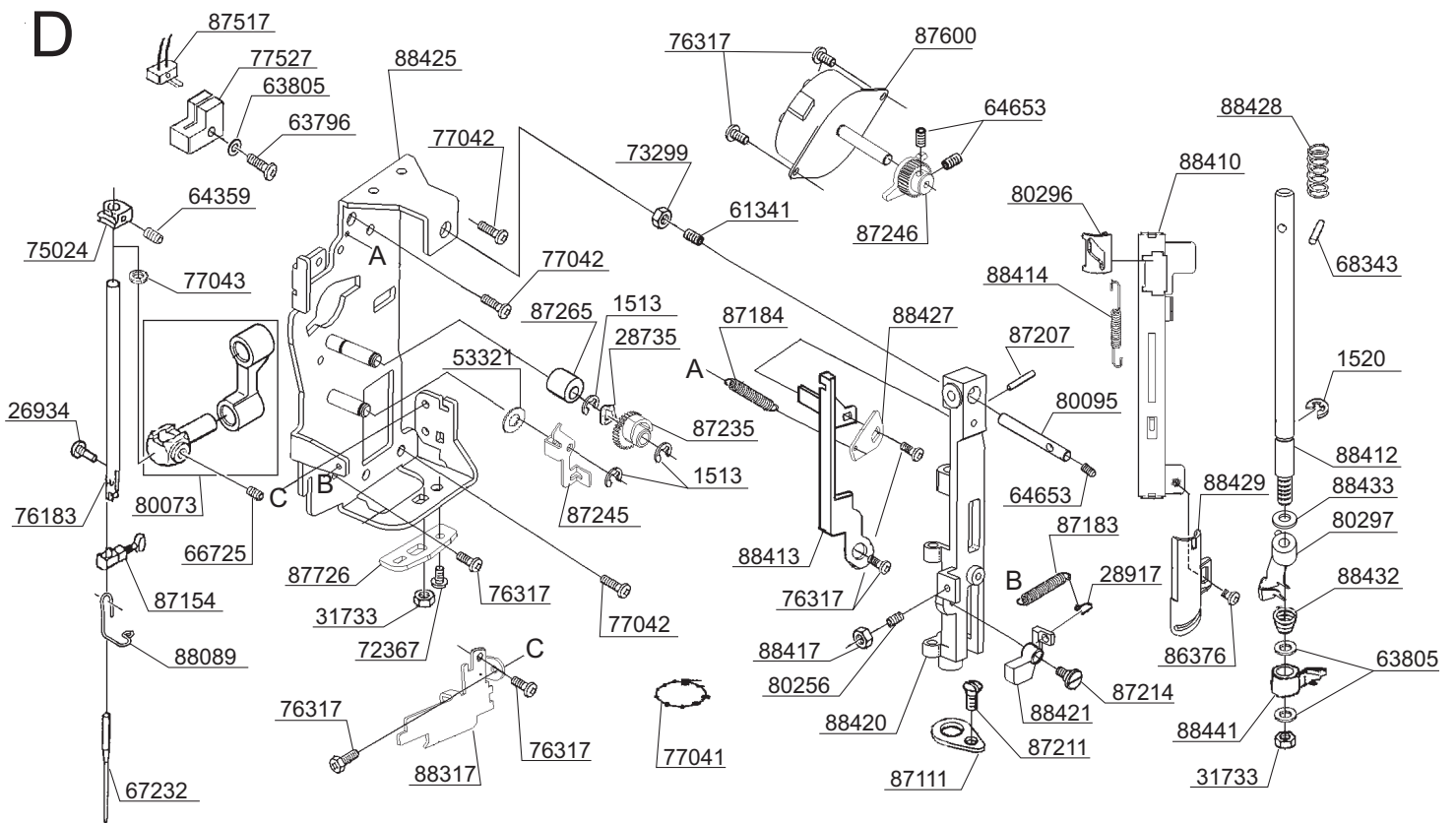
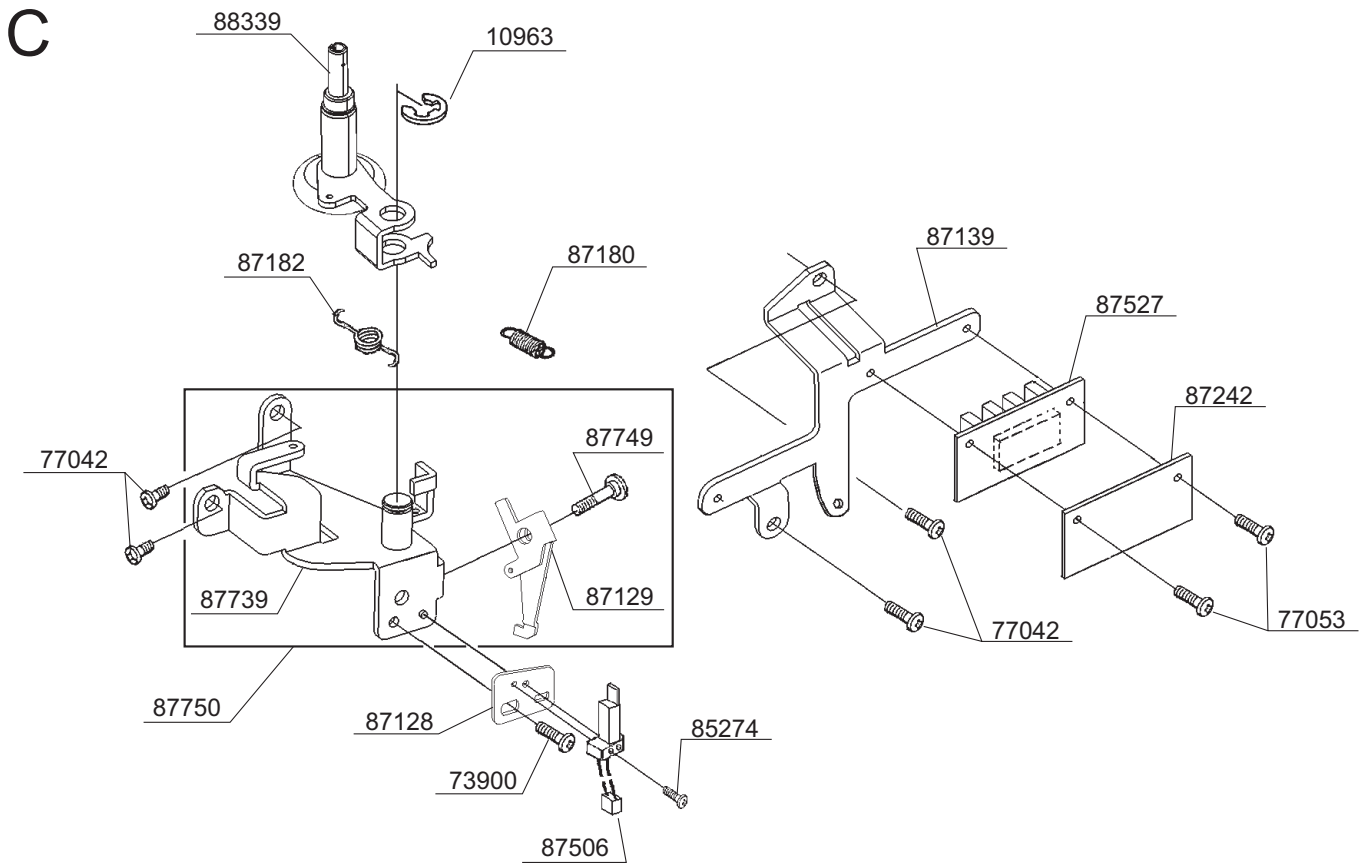
FACTORY MODEL 77060 , 770S0

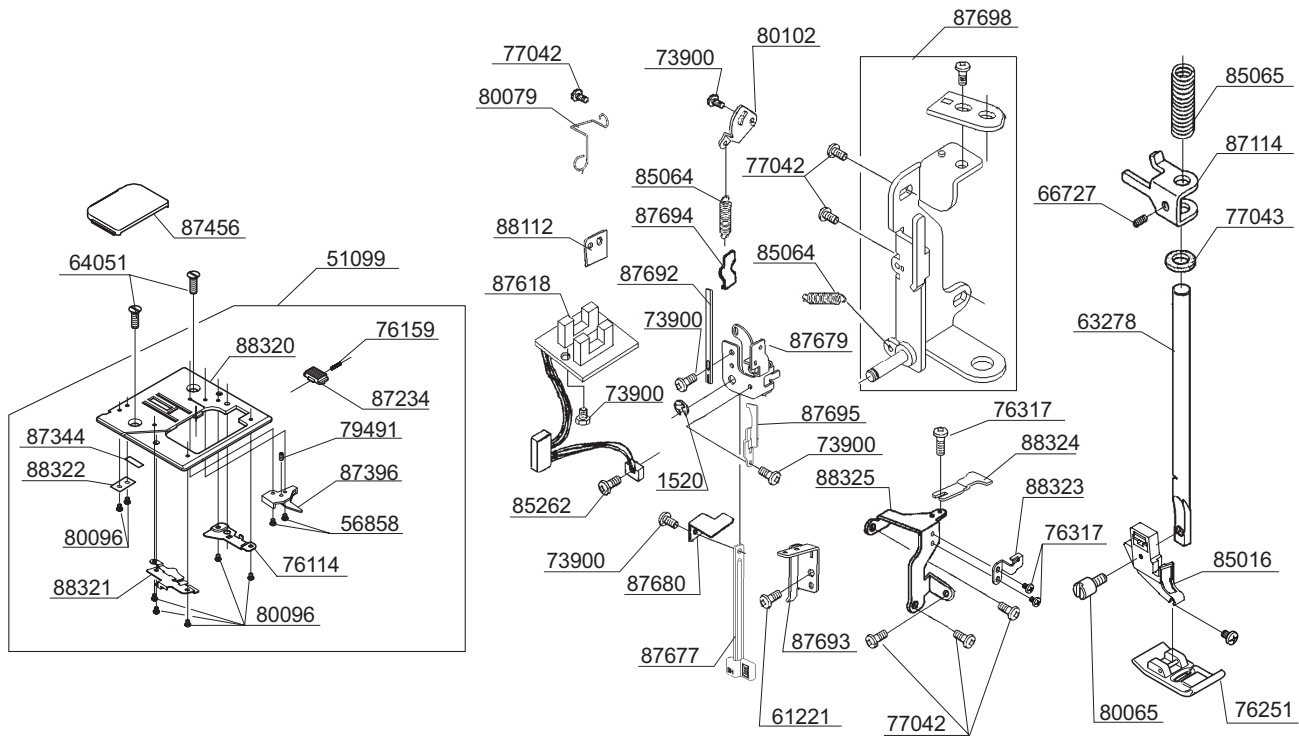
A



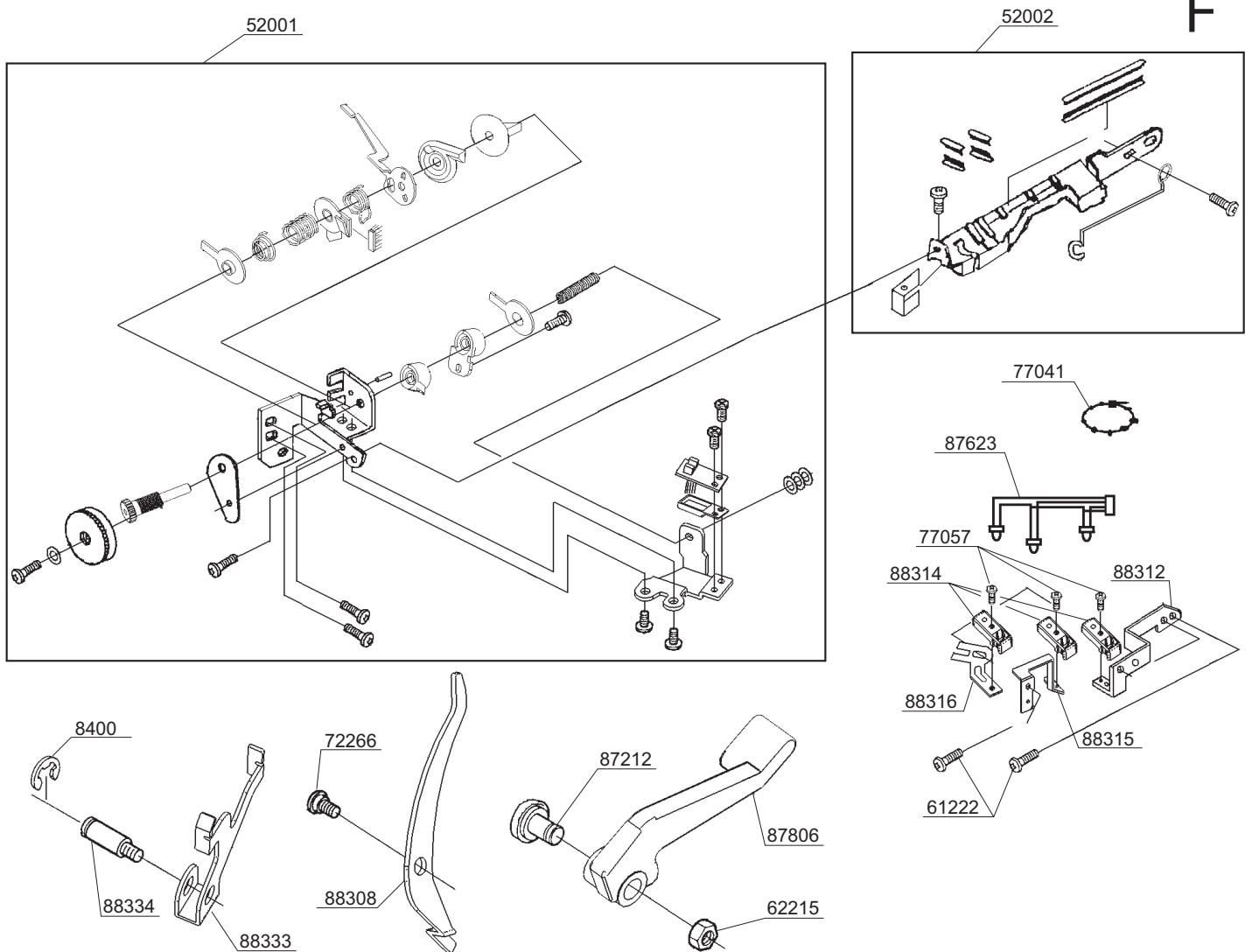
B





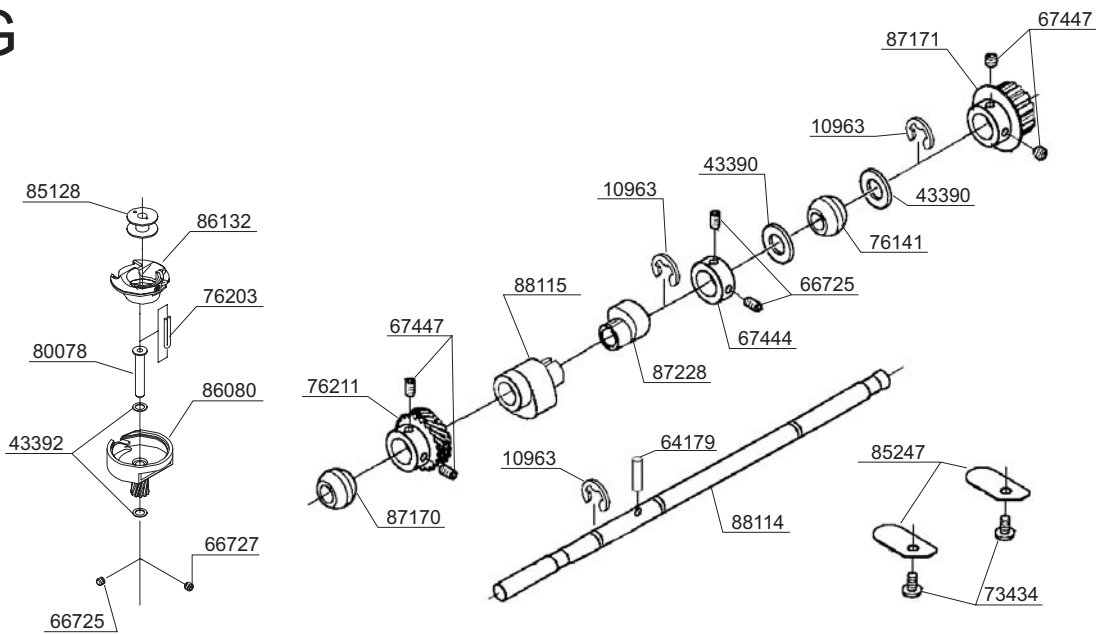


E

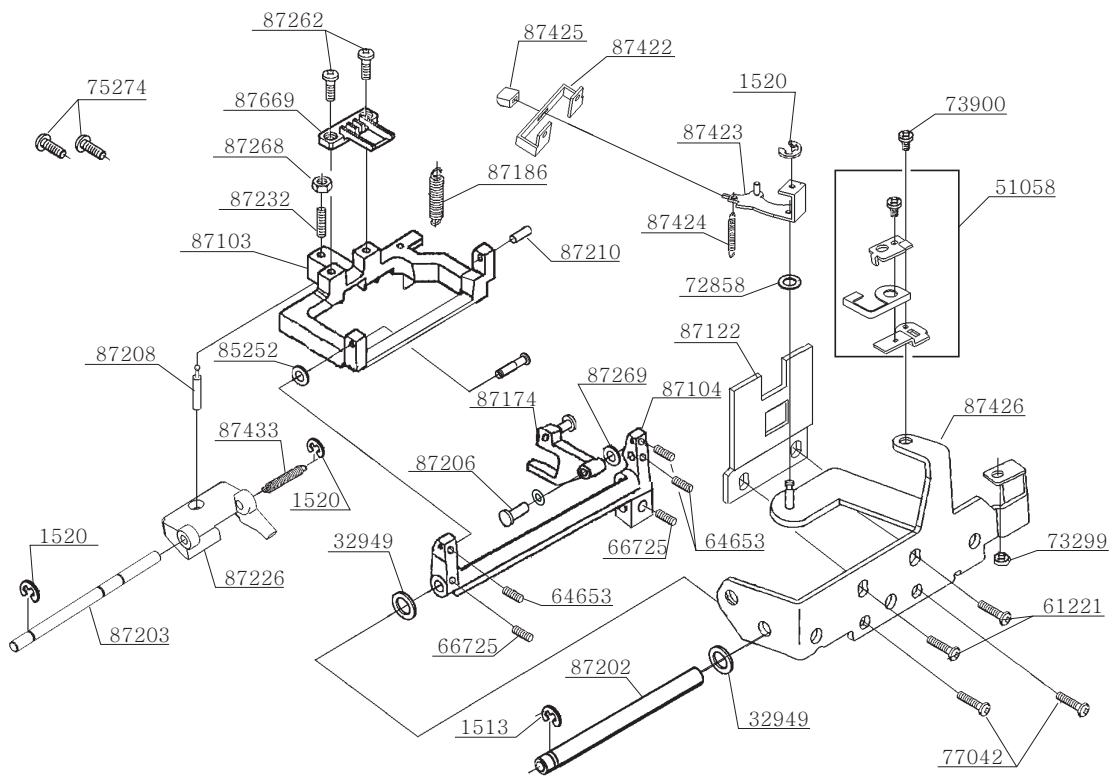


F

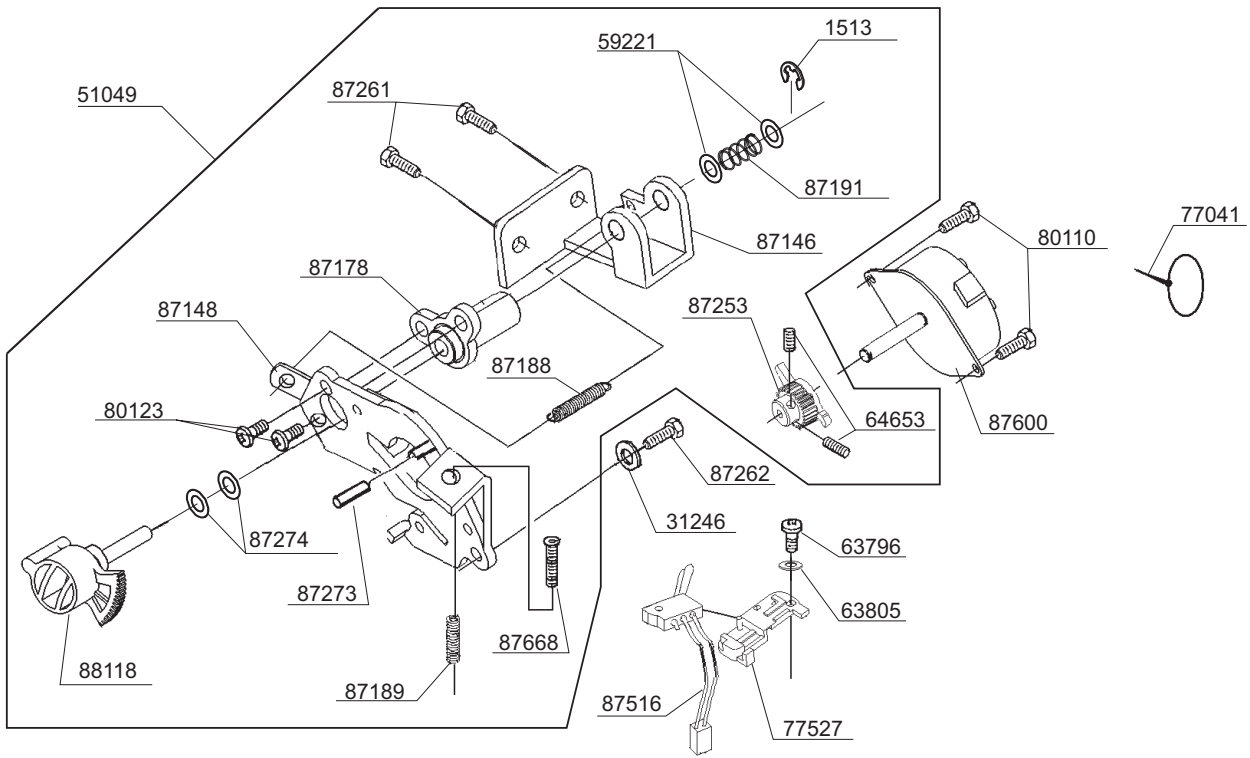
# G



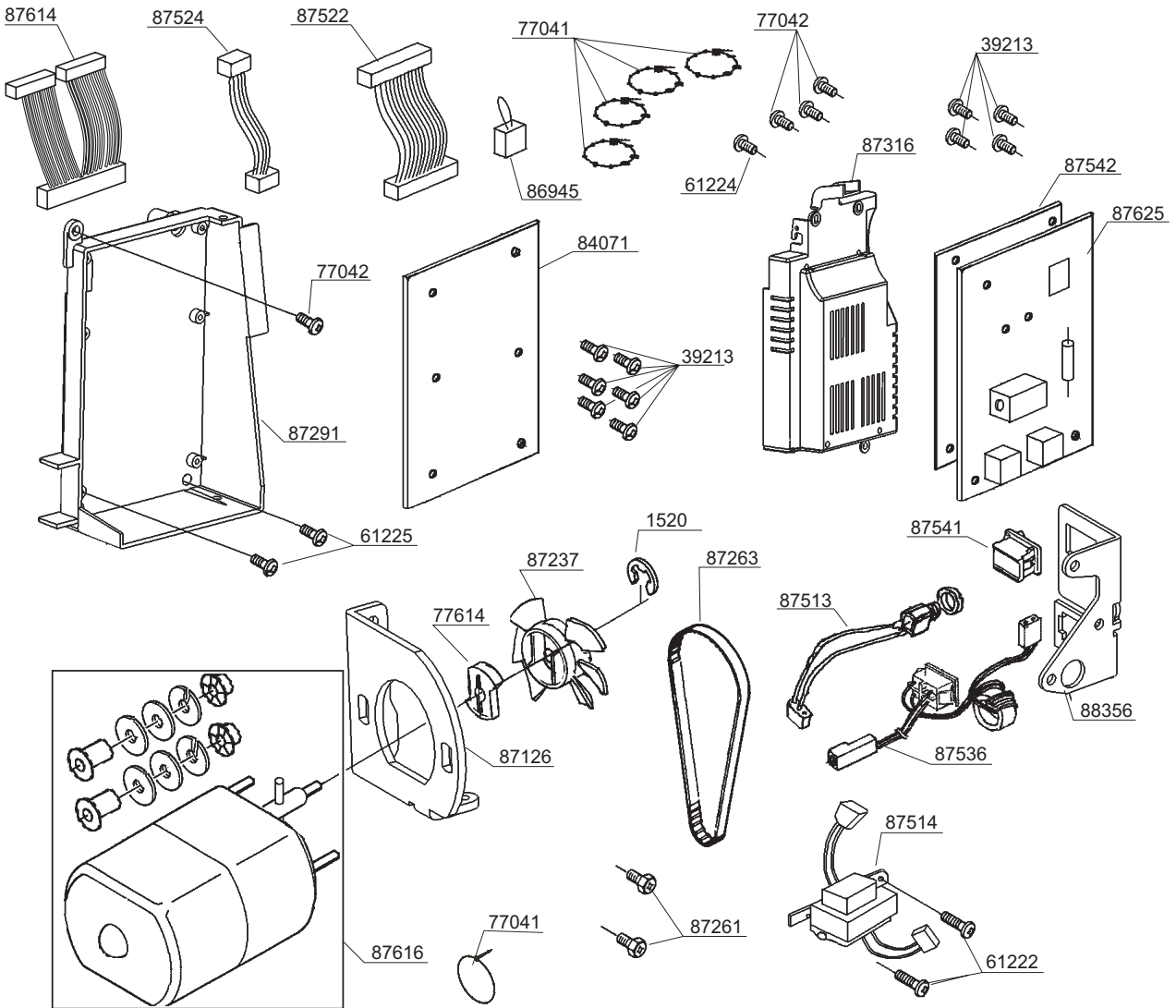
# H



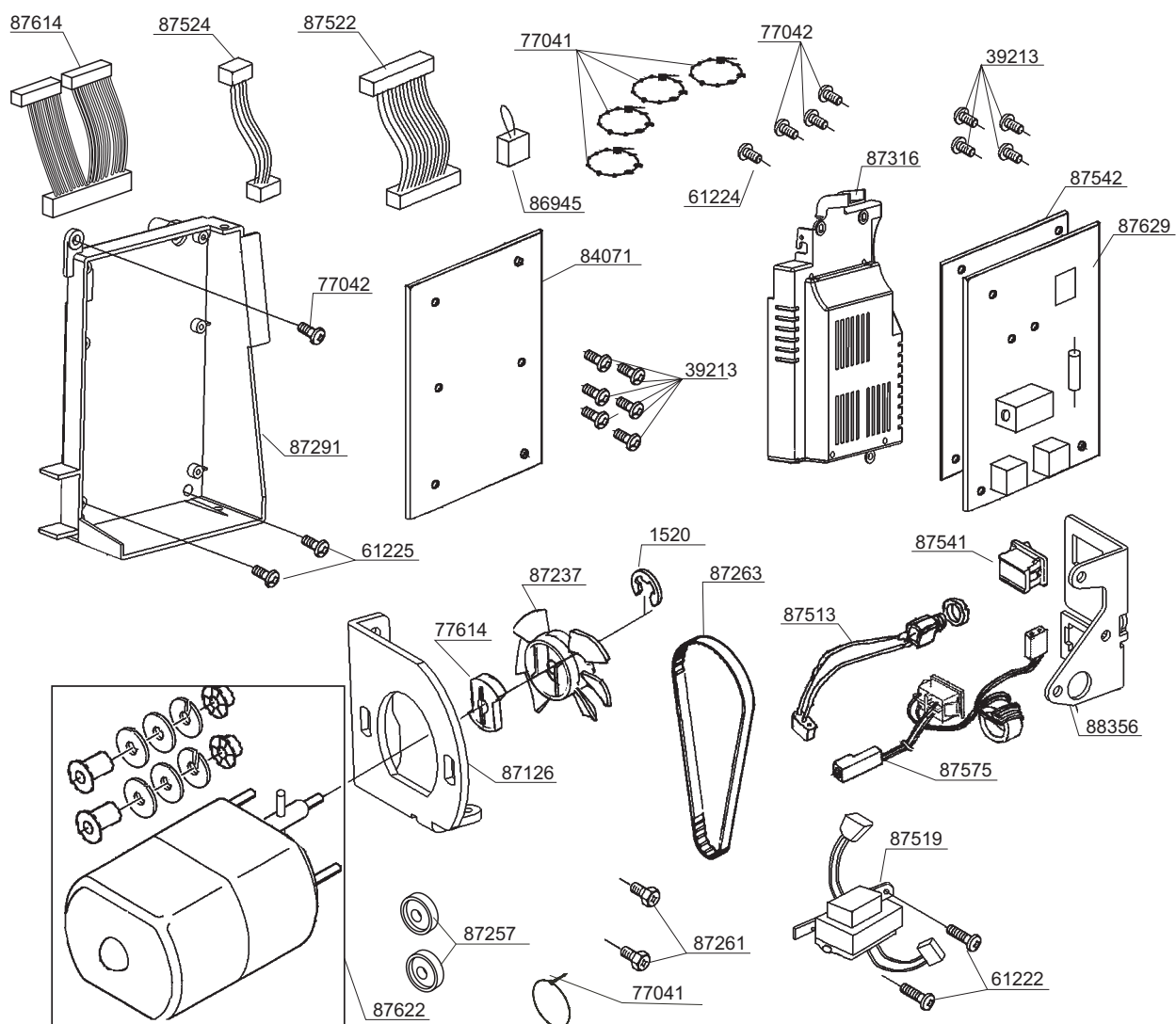
J



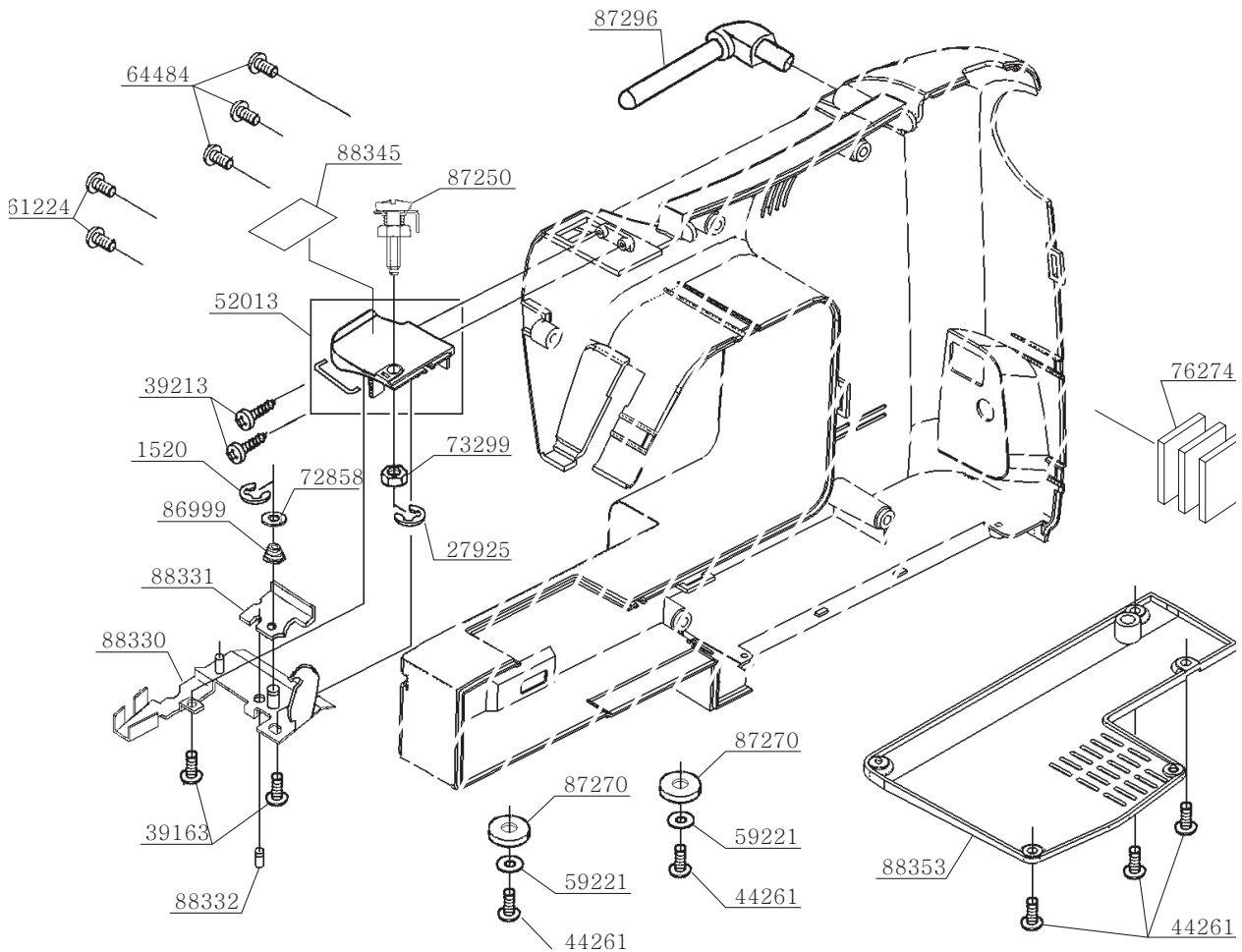
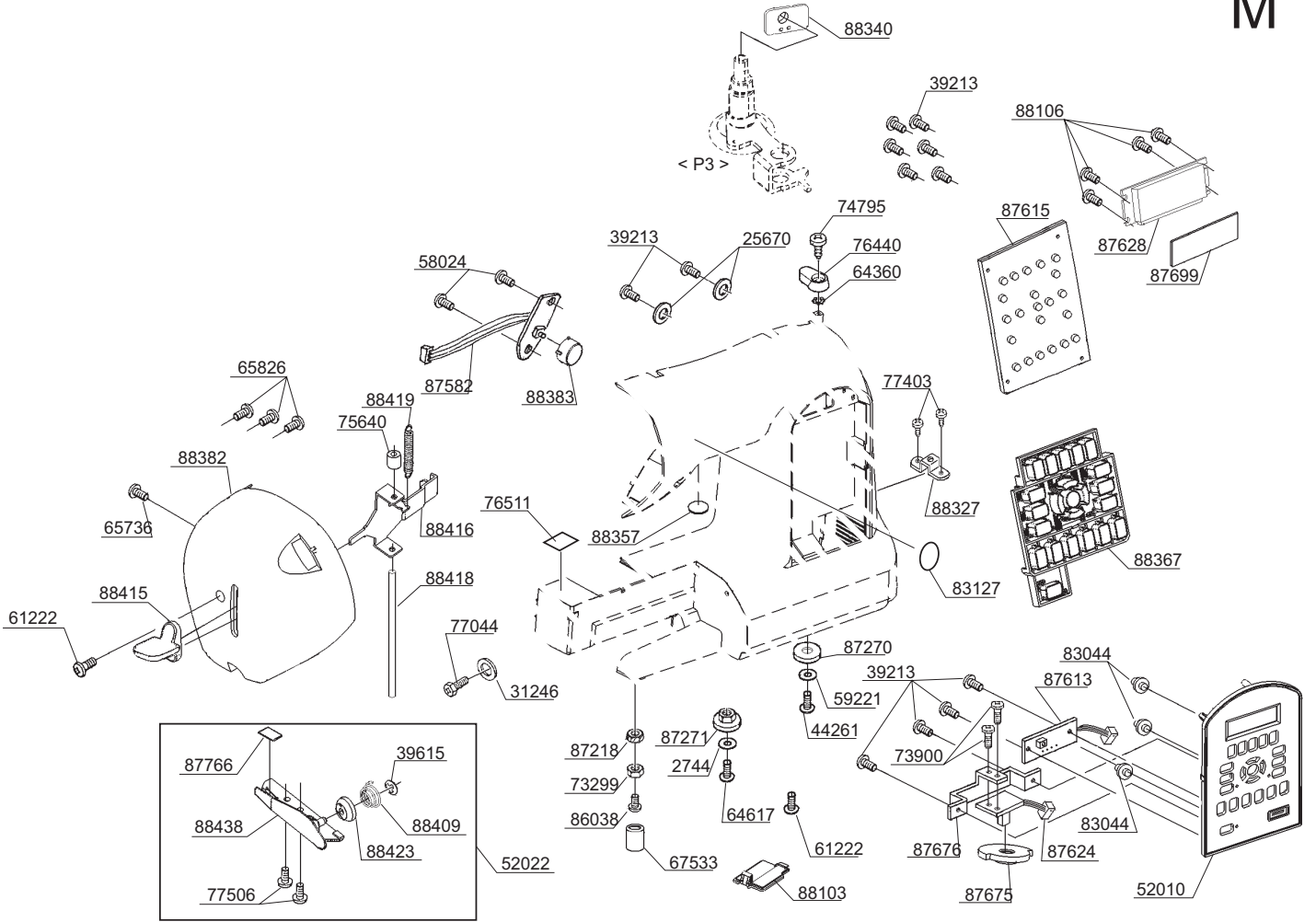
K

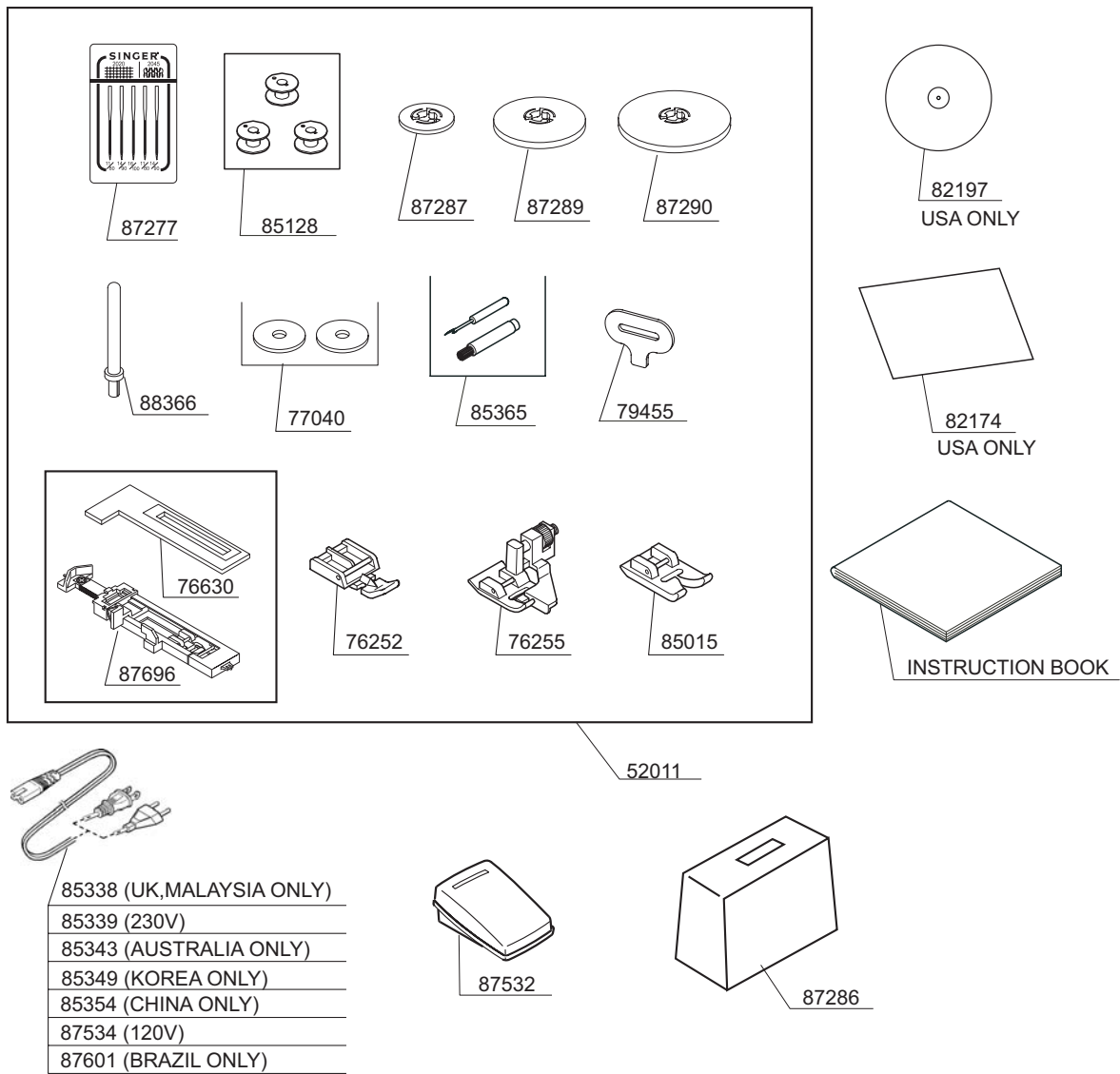


L









- |       |                                    |       |                              |
|-------|------------------------------------|-------|------------------------------|
| 52011 | ACCESSORY SET                      | 87290 | SPOOL PIN CAP (LARGE)        |
| 76252 | ZIPPER FOOT                        | 87532 | FOOT CONTROL (PIN-JACK TYPE) |
| 76255 | BLIND STITCH FOOT                  | 87534 | POWER CORD (120V)            |
| 76630 | BUTTONHOLE PLATE                   | 87601 | POWER CORD (BRAZIL ONLY)     |
| 77040 | SPOOL PIN DISC                     | 87696 | BUTTONHOLE FOOT              |
| 79455 | LARGE SCREW DRIVER                 | 88366 | SPOOL PIN                    |
| 82147 | INSTRUCTION BOOK (Eng/Fre/Spa)     |       |                              |
| 82174 | QUICK START GUIDE SEET (USA ONLY)  |       |                              |
| 82175 | INSTRUCTION BOOK (Ita/Dut/Ger)     |       |                              |
| 82178 | INSTRUCTION BOOK (Swe/Dan/Nor/Fin) |       |                              |
| 82197 | QUICK START GUIDE DVD (USA ONLY)   |       |                              |
| 82198 | INSTRUCTION BOOK (Russ)            |       |                              |
| 82202 | INSTRUCTION BOOK (Korea)           |       |                              |
| 85015 | SATIN FOOT                         |       |                              |
| 85128 | BOBBIN                             |       |                              |
| 85338 | POWER CORD (UK, MALAYSIA ONLY)     |       |                              |
| 85339 | POWER CORD (230V)                  |       |                              |
| 85343 | POWER CORD (AUSTRALIA ONLY)        |       |                              |
| 85349 | POWER CORD (KOREA ONLY)            |       |                              |
| 85354 | POWER CORD (CHINA ONLY)            |       |                              |
| 85365 | BUTTONHOLE OPENER / BRUSH          |       |                              |
| 87277 | NEEDLE SET                         |       |                              |
| 87286 | VINYL COVER                        |       |                              |
| 87287 | SPOOL PIN CAP (MINI)               |       |                              |
| 87289 | SPOOL PIN CAP (SMALL)              |       |                              |

PART NO.	DESCRIPTION	PAGE	PART NO.	DESCRIPTION	PAGE
1513	E4 CLIP-ON-WASHER	A,B,D,H,J	68343	PIN	D
1520	E3 CLIP-ON-WASHER	D,E,H,K,L,N	72266	M4 STUD SCREW	F
2744	WASHER	M	72367	M4 CP SCREW	D
8400	E5 CLIP-ON-WASHER	B,F	72858	WASHER	H,N
10963	E6 CLIP-ON-WASHER	B,C,G	73299	M4 TORQUE NUT	D,H,M,N
25670	WASHER	M	73371	M6 SCREW	B
26934	#8 SCREW	D	73434	M4 PHILIPS SCREW	B,G
27925	E2.5 CLIP-ON-WASHER	N	73900	M3 PHILIPS SCREW	C,E,H,M
28735	CRINKLE WASHER	D	74795	TAPPING SCREW	M
28917	HOOK FOR SPRING	D	75024	STOPPER	D
31246	WASHER	J,M	75047	CLUTCH	B
31733	M3 NUT	D	75194	TORSION SPRING	B
32949	WASHER	H	75274	M4 PHILIPS SCREW	B,H
39163	TAPPING SCREW	N	75640	VINYL TUBE	M
39213	M3 SCREW	K,L,M,N	76114	COVER GUIDE (R)	E
39615	CLIP-ON-WASHER	M	76132	SHAFT	H
43389	THRUST WASHER	B	76141	BALL METAL	G
43390	THRUST WASHER	G	76159	COMPRESSION LEVER	E
43392	THRUST WASHER	G	76183	NEEDLE BAR	D
43930	SPRING PIN	B	76203	OILING CORD	G
44066	SPRING PIN	B	76211	BEVEL GEAR	G
44261	M4 SCREW	M,N	76251	ZIGZAG PRESSER FOOT	E
51049	FEED REGULATOR UNIT	J	76252	ZIPPER FOOT	O
51058	RETAINER SET	H	76255	BLIND STITCH FOOT	O
51099	NEEDLE PLATE SET	E	76274	SPACER	N
52001	TENSION ASSY	F	76317	M3 PHILLIPS SCREW	D,E
52002	THREAD GUIDE PLATE ASSY	F	76440	BOBBIN WINDER LATCH	M
52010	CONTRAST PANEL	M	76511	SEAL	M
52011	ACCESSORY SET	O	76630	BUTTONHOLE PLATE	O
52013	TENSION COVER	N	77040	SPOOL PIN DISC	O
52022	THREAD HOLDER SET	M	77041	UNITY FASTENER	D,F,J,K,L
53321	THRUST WASHER	D	77042	M4 PHILIPS SCREW	A,C,D,E,H,K,L
53403	WASHER	B	77043	FELT	D,E
56858	M2 PHILIPS SCREW	E	77044	M3 PHILIPS SCREW	M
58024	TAPPING SCREW	M	77053	M3 PHILIPS SCREW	C
59221	WASHER	J,M,N	77057	M3 PHILIPS SCREW	F
61221	M4 PHILIPS SCREW	E,H	77403	SCREW	M
61222	M4 PHILIPS SCREW	F,K,L,M	77434	HEADED PIN	B
61224	M4 PHILIPS SCREW	A,B,K,L,N	77504	TAKE-UP LEVER CRANK	B
61225	M4 PHILIPS SCREW	K,L	77506	TAPPING SCREW	B,M
61341	M4 SCREW	D	77507	SNAP RING $\phi 4$	B
62215	M4 NUT	F	77527	SENSOR COVER	D,J
62307	M4 SCREW	B	77531	TAKE-UP LEVER	B
63278	PRESSER BAR	E	77614	GEAR CLUTCH	K,L
63796	M3 SCREW	D,J	79455	LARGE SCREW DRIVER	O
63805	WASHER	D,J	79491	SCREW	E
64051	M4 SCREW	E	80065	#7 SCREW FOR SHANK	E
64179	SPRING PIN	G	80070	CORD GUIDE	A
64359	M4 SCREW	D	80073	NEEDLE BAR CRANK SET	D
64360	TOOTHED WASHER	M	80078	SHUTTLE RACE SHAFT	G
64484	TAPPING SCREW	N	80079	CORD GUIDE	E
64617	TAPPING SCREW	M	80095	STRAIGHT PIN	D
64653	M3 SCREW	D,H,J	80096	M2 PHILIPS SCREW	E
65736	M4 PHILIPS SCREW	M	80102	CONTROL PLATE	E
65826	M3 SCREW	M	80109	BRACKET	A
66052	M4 SCREW	B	80110	M3 PHILIPS SCREW	J
66235	SECURING PLATE	B	80123	M3 PHILIPS SCREW	J
66474	M5 SCREW	B	80137	COUPLING	B
66587	WASHER	B	80162	FIXING RING	B
66725	M4 SCREW	B,D,G,H	80256	M3 SCREW	D
66727	M4 SCREW	B	80296	THREAD GUIDE C	D
66727	M4 SCREW	E	80297	TWIN THREADING HOOK SET	D
66727	M4 SCREW	G	82147	INSTRUCTION BOOK (Eng/Fre/Spa)	O
66787	WASHER	B	82174	QUICK START GUIDE SEET (USA ONLY)	O
67232	NEEDLE	D	82175	INSTRUCTION BOOK (Ita/Dut/Ger)	O
67444	COLLAR	G	82178	INSTRUCTION BOOK (Swe/Dan/Nor/Fin)	O
67447	M5 SCREW	B,G	82197	QUICK START GUIDE DVD (USA ONLY)	O
67533	RUBBER CUSHION	M	82198	INSTRUCTION BOOK (Russ)	O
68152	BALL BUSH	B	82202	INSTRUCTION BOOK (Korea)	O

PART NO.	DESCRIPTION	PAGE	PART NO.	DESCRIPTION	PAGE
83044	LED PANEL	M	87226	VERTICAL FEED BLOCK	H
83127	SEAL	M	87228	FEED CAM	G
84071	CPU CIRCUIT BOARD	K,L	87232	M6 STUD SCREW	H
85013	POSITIONING COLLAR	B	87234	RELEASE LEVER	E
85015	SATIN FOOT	O	87235	ZIGZAG CAM WITH GEAR	D
85016	PRESSER FOOT HOLDER	E	87237	MOTOR FAN	K,L
85046	COLLAR	B	87241	ENCODER	B
85064	EXTENSION SPRING	E	87242	INSULATION SHEET	C
85065	COMPRESSION SPRING	E	87245	BELL CLANK FOR ZIGZAG	D
85128	BOBBIN	G,O	87246	PINION GEAR	D
85138	TENSION ROLLER	B	87250	M4 SPECIAL SCREW UNIT	N
85217	RETAINER	B	87253	PINION GEAR	J
85247	SECURING PLATE	G	87257	BUSH	L
85252	WASHER	H	87261	CP BOLT	J,K,L
85262	M2 SCREW	E	87262	M3 CP SCREW	H,J
85274	M2 SCREW	C	87263	DRIVING BELT	K,L
85338	POWER CORD (UK, MALAYSIA ONLY)	O	87264	TIMING BELT	B
85339	POWER CORD (230V)	O	87265	SPACER	D
85339	POWER CORD (230V)	O	87268	M6 NUT	H
85343	POWER CORD (AUSTRALIA ONLY)	O	87269	WASHER	H
85349	POWER CORD (KOREA ONLY)	O	87270	RUBBER FOOT	M,N
85354	POWER CORD (CHINA ONLY)	O	87271	RUBBER FOOT	M
85365	BUTTONHOLE OPENER / BRUSH	O	87273	PIN	J
86038	STUD SCREW	M	87274	WASHER	J
86080	SHUTTLE RACE	G	87277	NEEDLE SET	O
86132	BOBBIN CASE	G	87286	VINYL COVER	O
86376	M3 SCREW	D	87287	SPOOL PIN CAP (MINI)	O
86945	JUMPER HARNESS	K,L	87288	PULLEY CAP	B
86999	SPRING	N	87289	SPOOL PIN CAP (SMALL)	O
87103	FEED DOG BASE	H	87290	SPOOL PIN CAP (LARGE)	O
87104	FEED DOG BASE SUPPORT	H	87291	CPU CIRCUIT BOARD BOX	K,L
87111	NEEDLE BAR SWING BRACKET	D	87296	SPOOL PIN UNIT	N
87114	PRESSURE BAR GUIDE	E	87299	PULLEY	B
87122	SUPPORT PLATE	H	87316	AC CIRCUIT BOARD BOX	K,L
87125	IDLER PULLEY BRACKET	B	87396	THREAD CONTROL PLATE	E
87126	MAIN MOTOR BRACKET	K,L	87422	DROP GUIDE	H
87128	MOUNTING BRACKET	C	87423	DROP LEVER	H
87129	RETAINER	C	87424	TORSION SPRING	H
87139	MOUNTING BRACKET	C	87425	DROP KNOB	H
87146	BRACKET	J	87426	SECURING BRACKET	H
87148	STEPPING MOTOR BRACKET	J	87433	TORSION SPRING	H
87154	NEEDLE CLAMP SET	D	87456	NEEDLE COVER PLATE	E
87156	BRACKET	A	87506	SWITCH HARNESS	C
87170	BALL METAL	G	87513	PIN-JACK HARNESS	K,L
87171	TIMING BELT GEAR (LOWER)	G	87514	TRANSFORMER	K
87174	FORKED CRANK	H	87516	SWITCH HARNESS	J
87178	FEED REGULATOR SHAFT M.BUSH	J	87517	SWITCH HARNESS FOR ZIGZAG	D
87180	EXTENSION SPRING	C	87519	TRANSFORMER	L
87182	TORSION SPRING	C	87522	13P CORD HARNESS	K,L
87183	SPRING	D	87524	5P CORD HARNESS	K,L
87184	SPRING	D	87527	PHOTO SENSOR CIRCUIT BOARD	C
87186	TORSION SPRING	H	87532	FOOT CONTROL (PIN-JACK TYPE)	O
87188	EXTENSION SPRING	J	87534	POWER CORD (120V)	O
87189	COMPRESSION SPRING	J	87536	INLET HARNESS	K
87191	COMPRESSION SPRING	J	87541	SWITCH	K,L
87200	MAIN SHAFT	B	87542	INSULATION SHEET	K,L
87202	SHAFT	H	87575	INLET HARNESS	L
87203	SHAFT	H	87582	SWITCH HARNESS	M
87206	PIN	H	87600	STEPPING MOTOR	D,J
87207	STRAIGHT PIN	D	87601	POWER CORD (BRAZIL ONLY)	O
87208	BALL HEADED PIN	H	87613	NDL STOP OPSITION SW HARNESS	M
87210	PIN	H	87614	CORD HARNESS	K,L
87211	M3 SCREW	D	87615	SWITCH CIRCUIT BOARD	M
87212	M4 SCREW	F	87616	MAIN MOTOR	K
87214	M3 SHOULDER SCREW	D	87618	BH SWITCH HARNESS	E
87216	PIN	A	87622	MAIN MOTOR	L
87218	NUT	M	87623	LED LIGHT	F
87220	BELT PULLEY	B	87624	LCD CONTRAST VOLUME HARNESS	M
87221	UPPER TIMING BELT GEAR	B	87625	CIRCUIT BOARD	K

PART NO.	DESCRIPTION	PAGE	PART NO.	DESCRIPTION	PAGE
87628	LCD UNIT	M	88409	SPRING	M
87629	CIRCUIT BOARD	L	88410	THREAD GUIDE A	D
87668	M4 BOLT	J	88412	THREADER SHAFT	D
87669	FEED DOG	H	88413	THREADER POSITIONING PLATE	D
87675	CONTRAST KNOB	M	88414	EXTENSION SPRING	D
87676	BRACKET	M	88415	THREADER LEVER	M
87677	BH PLATE (A)	E	88416	BRACKET	M
87679	BH PLATE (B)	E	88417	M3 AR NUT	D
87680	BH PLATE (C)	E	88418	THREADER SHAFT	M
87692	BH LEAF	E	88419	EXTENSION SPRING	M
87693	BRACKET	E	88420	NEEDLE BAR SUPPORT	D
87694	LEAF SPRING	E	88421	ECCENTRIC CAM	D
87695	BH PLATE	E	88423	HOLDER TENSION DISC	M
87696	BUTTONHOLE FOOT	O	88425	NEEDLE BAR SUPPORT BRACKET	D
87698	PRESSURE BAR BRACKET SET	E	88427	SECURING PLATE	D
87699	PROTECTOR FOR LED	M	88428	COMPRESSION SPRING	D
87707	STUD SCREW	B	88429	THREAD GUIDE B	D
87709	BALANCER	B	88432	SPRING	D
87726	NEEDLE BAR ADJUSTING PLATE	D	88433	WASHER	D
87731	GEAR	B	88438	THREAD HOLDER	M
87732	COLLAR	B	88441	THREADER ASSEMBLY	D
87739	BOBBIN WINDER BRACKET	C			
87749	M3 SHOULDER SCREW	C			
87750	BOBBIN WINDER BRACKET UNIT	C			
87766	BLADE	E,M			
87806	PRESSURE BAR LIFTER	F			
87807	MAIN SHAFT GEAR	B			
88089	THREAD GUIDE	D			
88103	COVER	M			
88106	TAPPING SCREW	M			
88112	INSULATION SHEET	E			
88114	LOWER STRAIGHT SHAFT	G			
88115	LIFTING CAM	G			
88118	FEED REGULATOR	J			
88306	TAKE-UP LEVER SHAFT BLOCK	B			
88308	TENSION RELEASE LEVER	F			
88312	THREAD GUIDE PLATE	F			
88314	LED LIGHT COVER	F			
88315	LED LIGHT COVER BRACKET	F			
88316	LED LIGHT COVER BRACKET	F			
88317	THREAD GUIDE PLATE	D			
88320	NEEDLE PLATE	E			
88321	COVER GUIDE (L)	E			
88322	BLADE PALTE	E			
88323	BRACKET	E			
88324	BOBBIN CASE STOPPER	E			
88325	BRACKET	E			
88327	FRONT COVER BRACKET	M			
88328	HANDLE BRACKET ( L )	A			
88329	HANDLE BRACKET ( R )	A			
88330	THREAD PLATE	N			
88331	THREAD REGULATE PLATE	N			
88332	PIN	N			
88333	BRACKET	F			
88334	STUD	F			
88335	BRACKET	A			
88339	BOBBIN WINDER UNIT	C			
88340	BRACKET	M			
88345	SEAL	N			
88353	BOTTOM COVER	N			
88354	HANDLE	A			
88356	SWITCH BRACKET	K			
88356	SWITCH BRACKET	L			
88357	PLATE	M			
88366	SPOOL PIN	O			
88367	PATTERN SWITCH	M			
88369	ACC. BOX	A			
88382	FACE COVER	M			
88383	BUTTON	M			