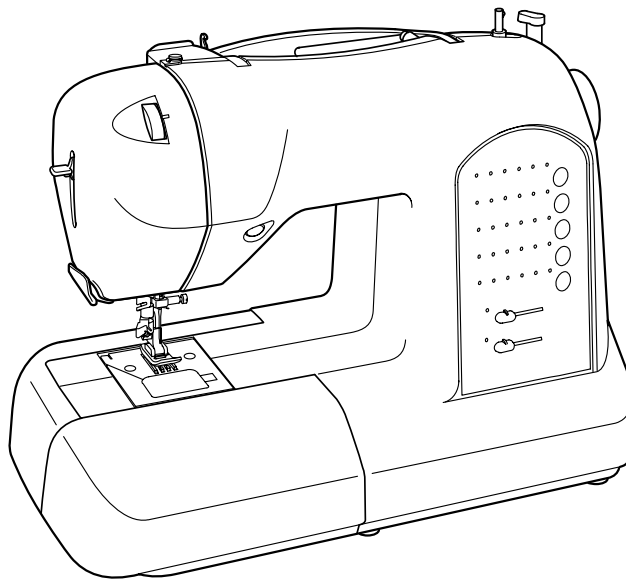
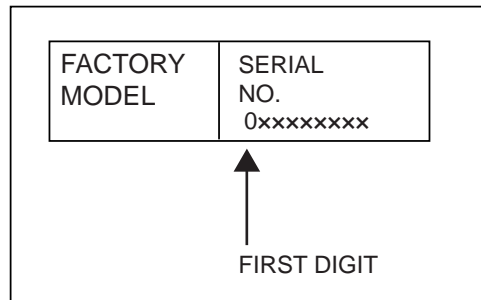


8763



Liste de pièces  
Lista de Piezas  
Parts List

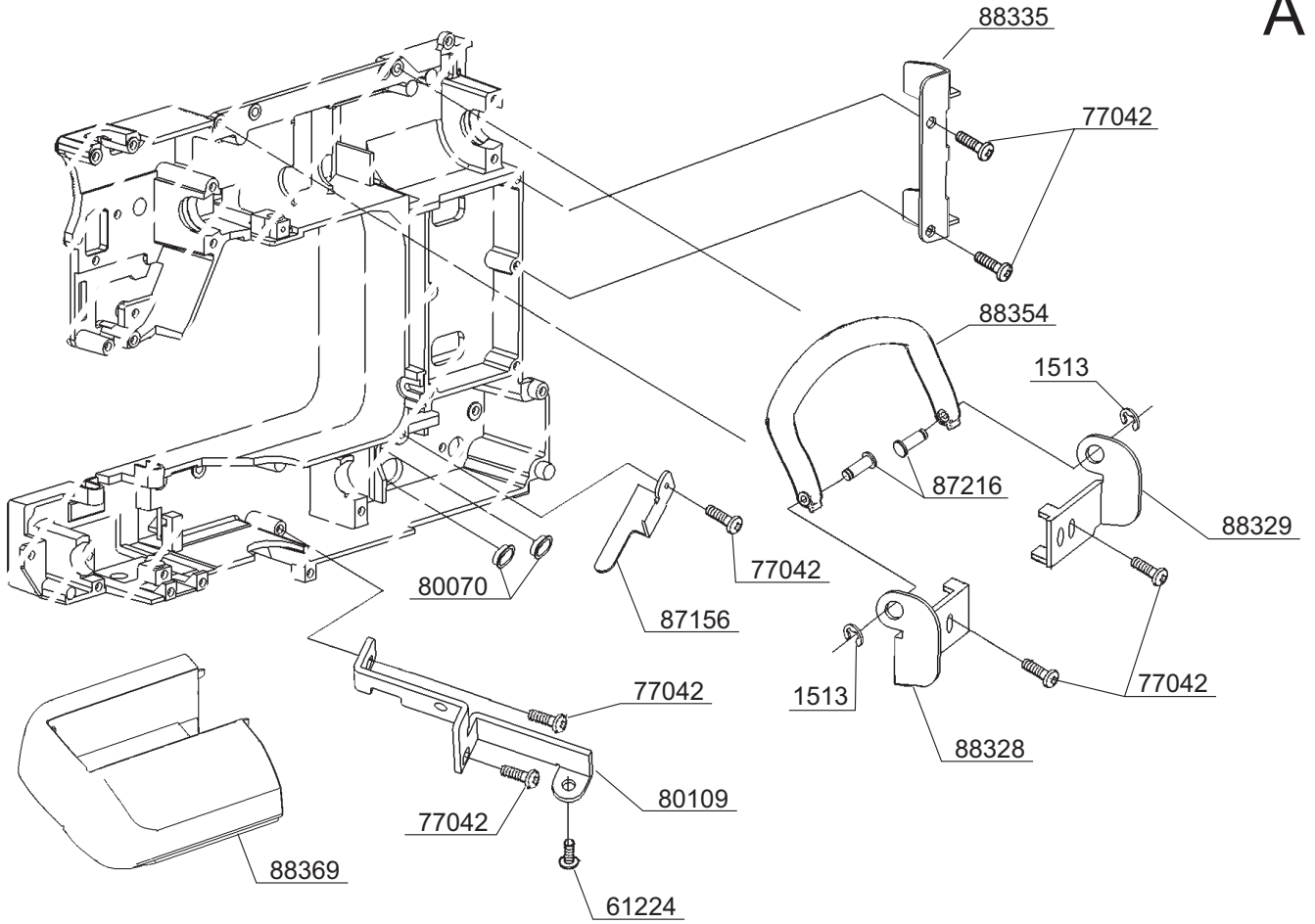
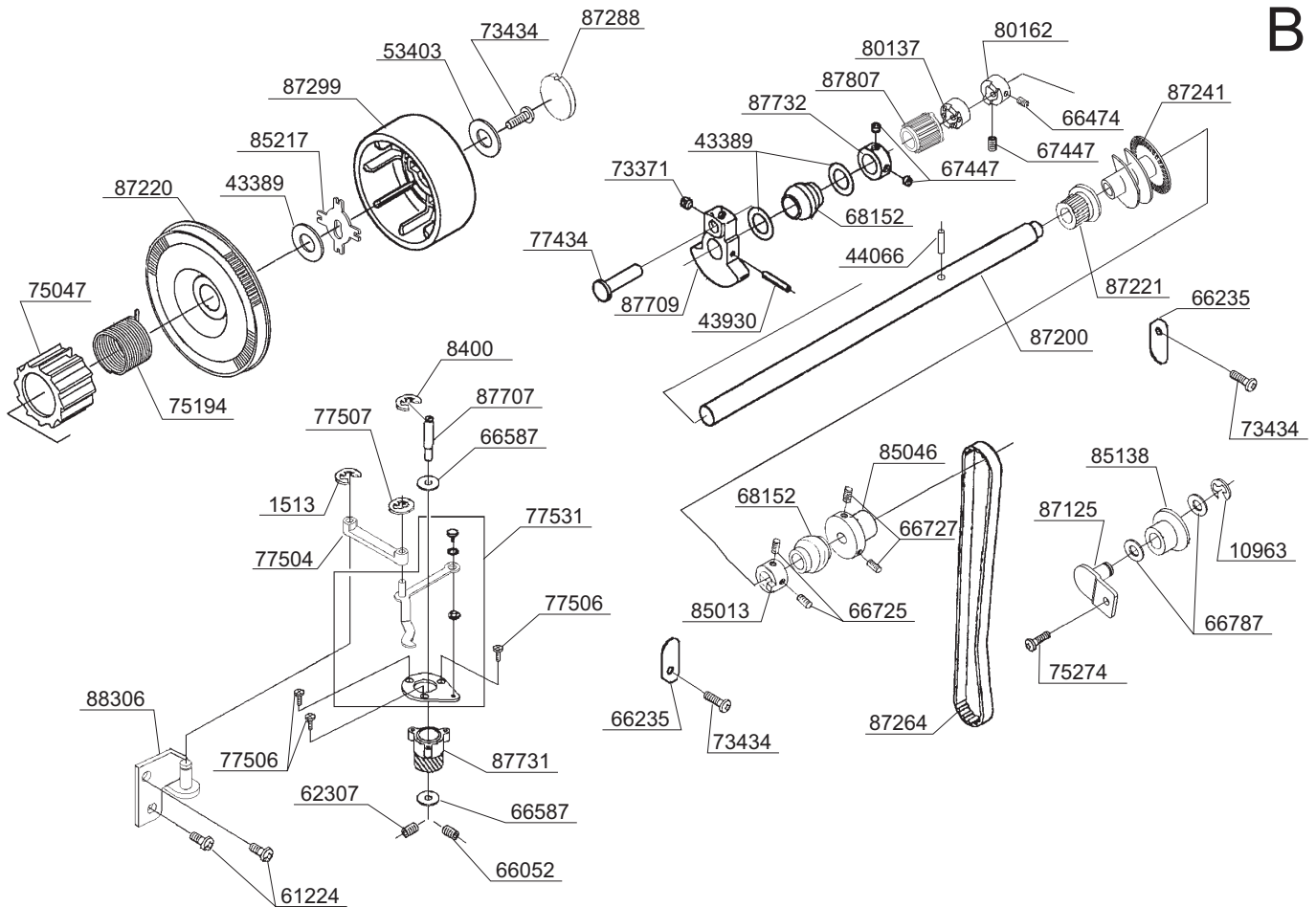


**IMPORTANT:**

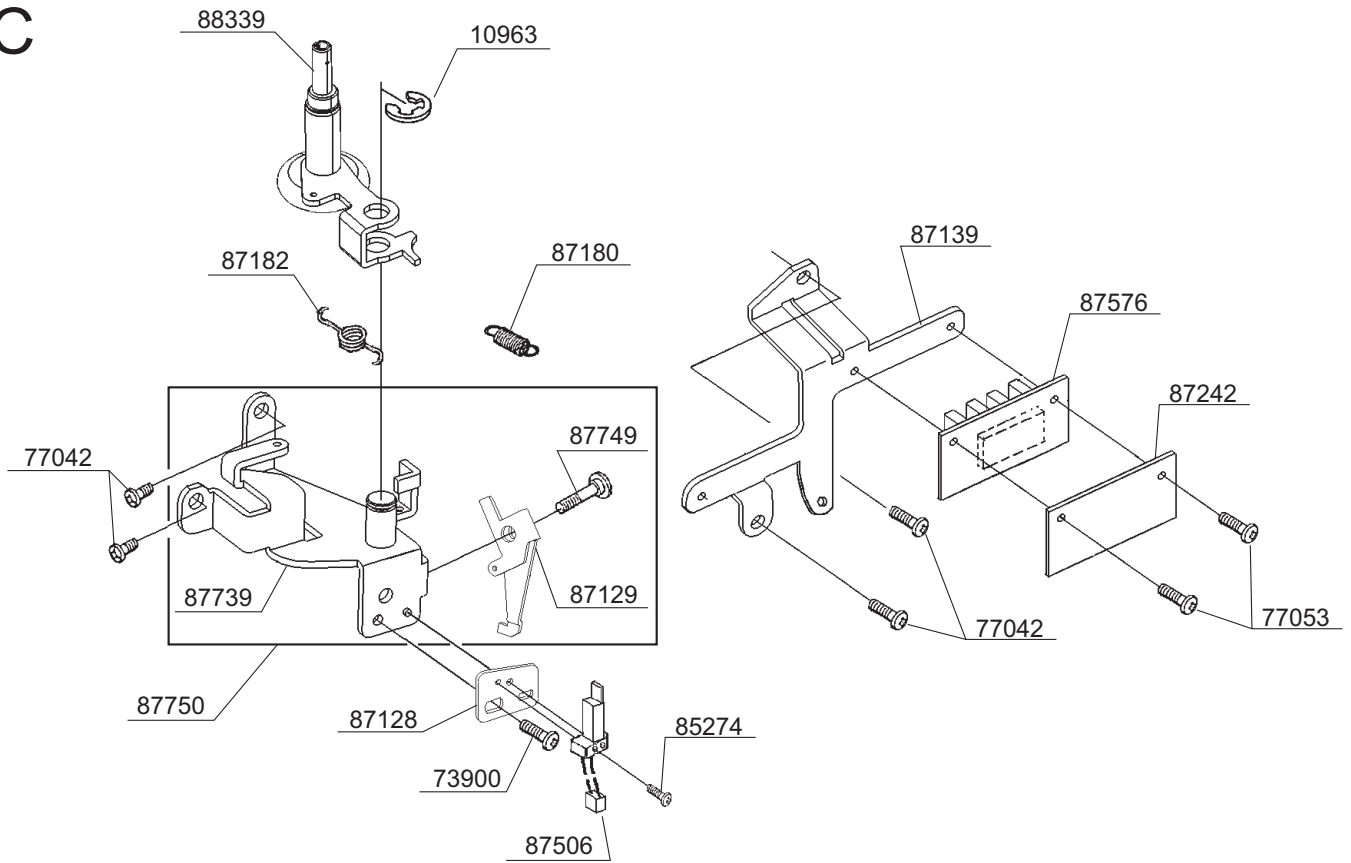
WHEN ORDERING THE PARTS ALWAYS CHECK THE SERIAL NUMBER OF THE MACHINE.

FIRST DIGIT OF THE SERIAL NUMBER MUST MATCH WITH THE LAST DIGIT OF THE FACTOR MODEL BELOW.

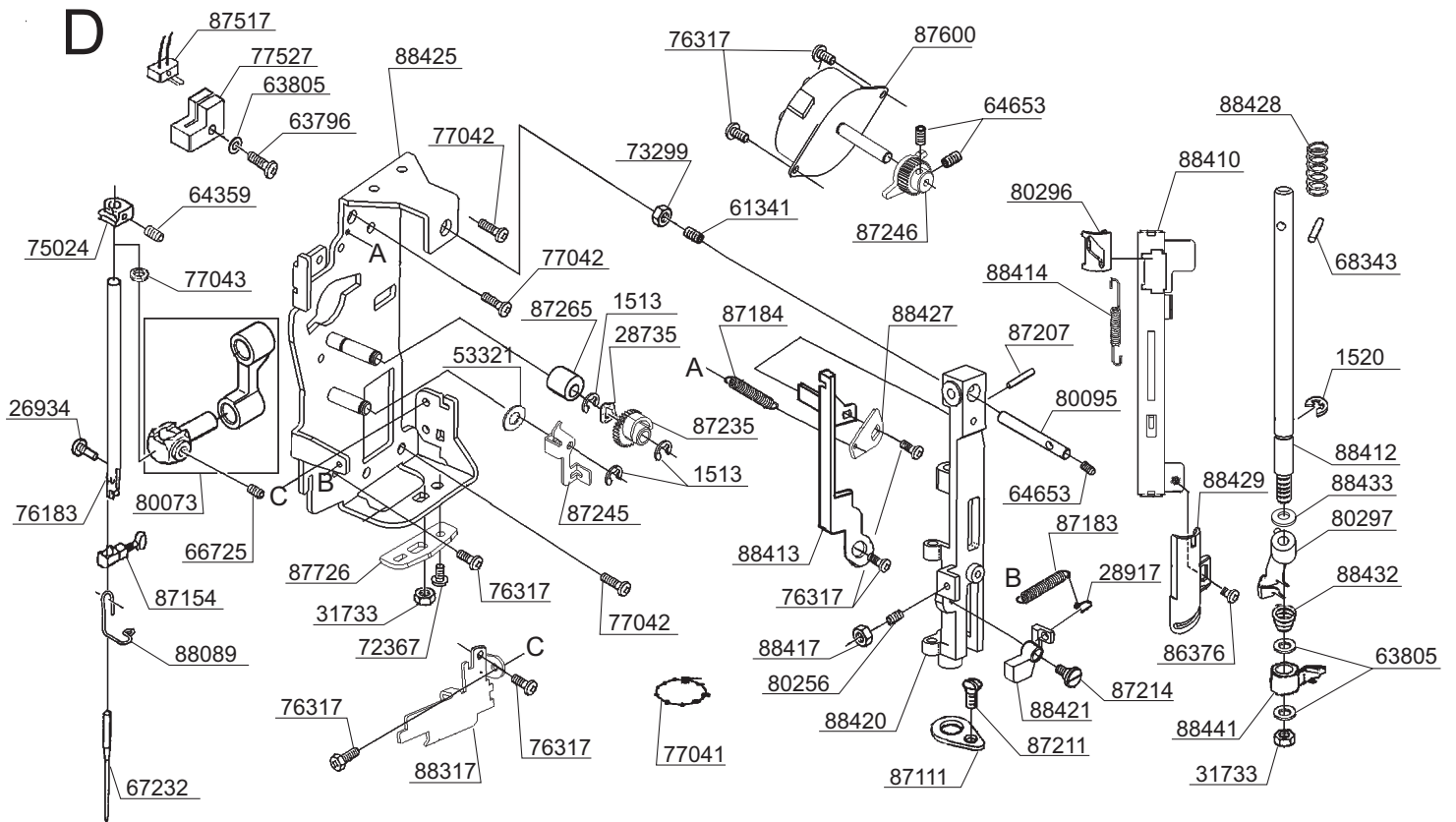
FACTORY MODEL 76360 , 763S0

**A****B**

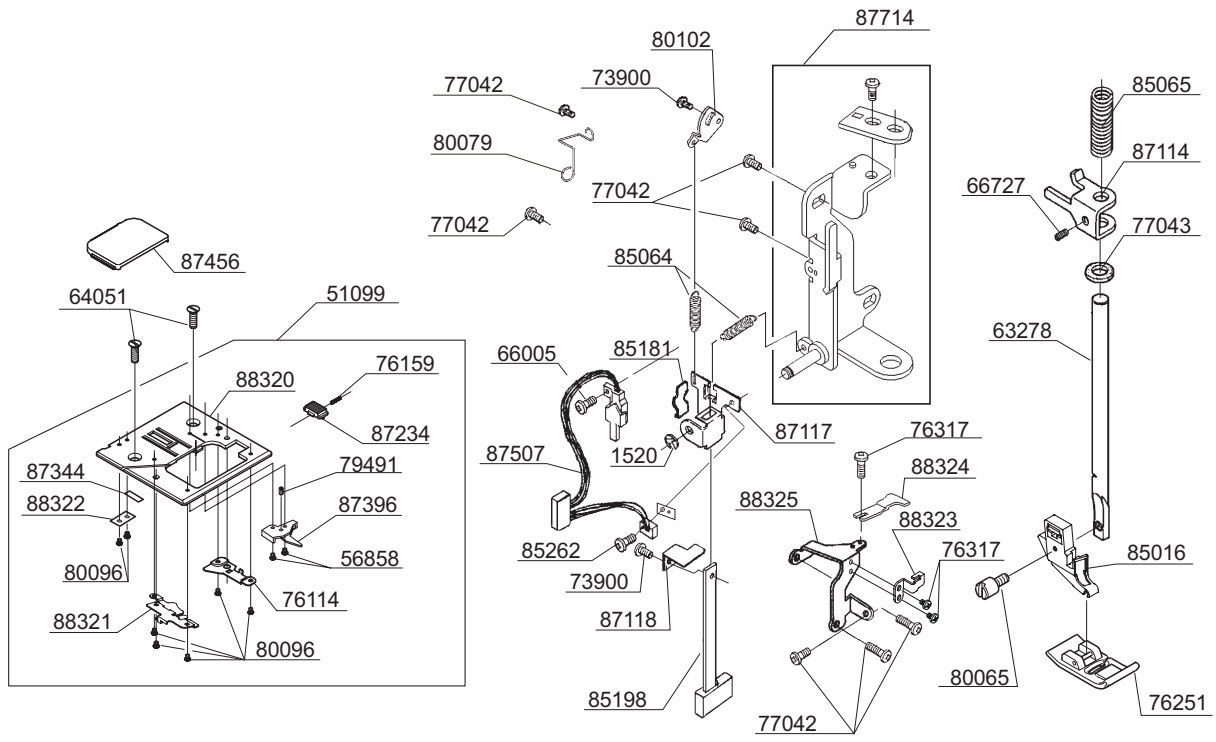
C



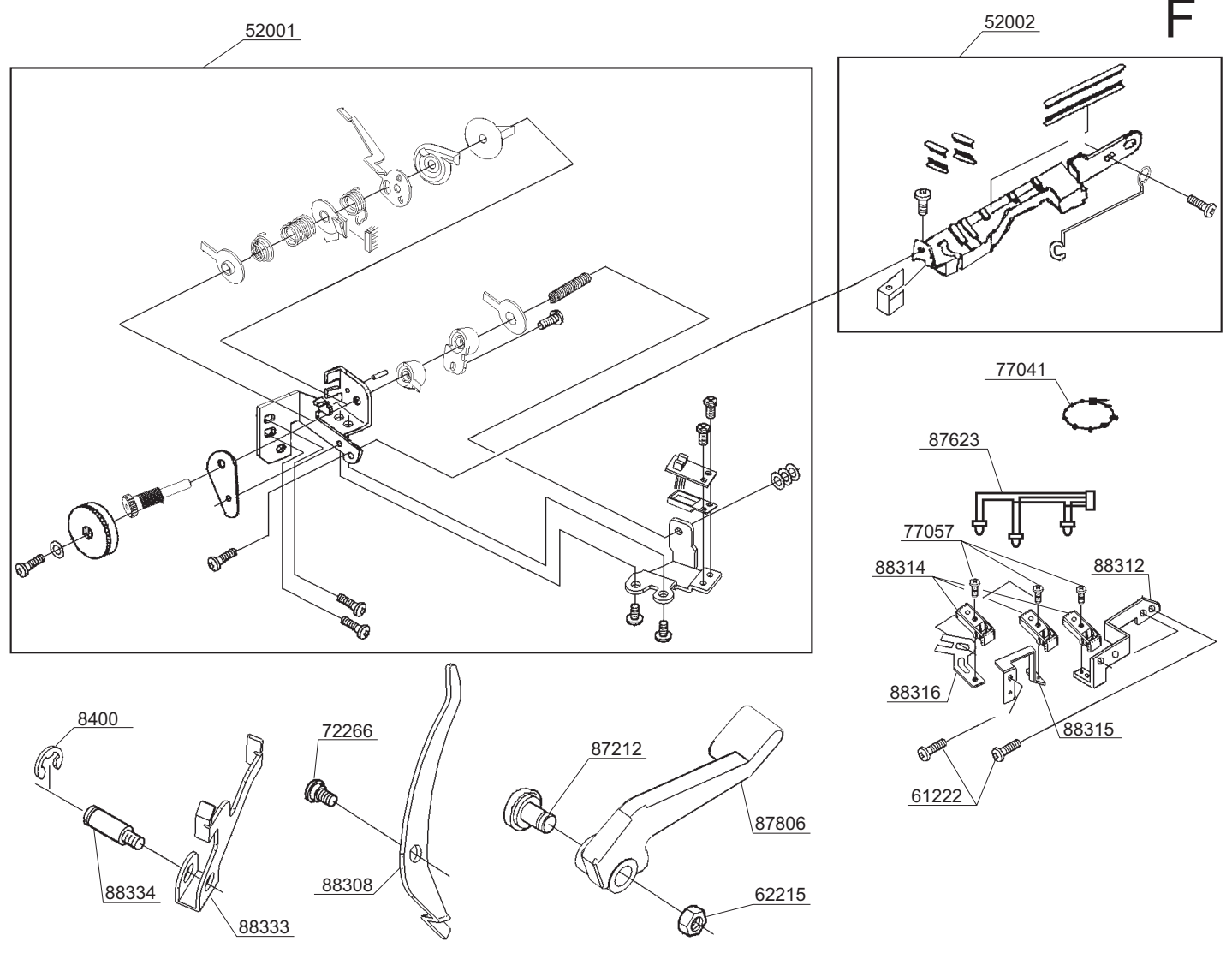
D



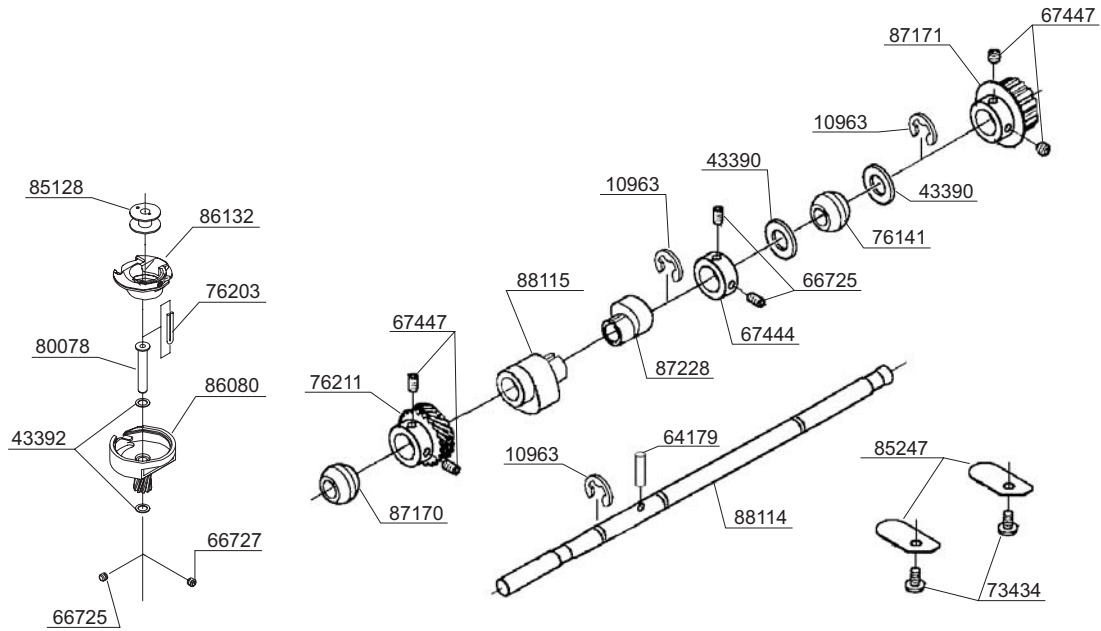
E



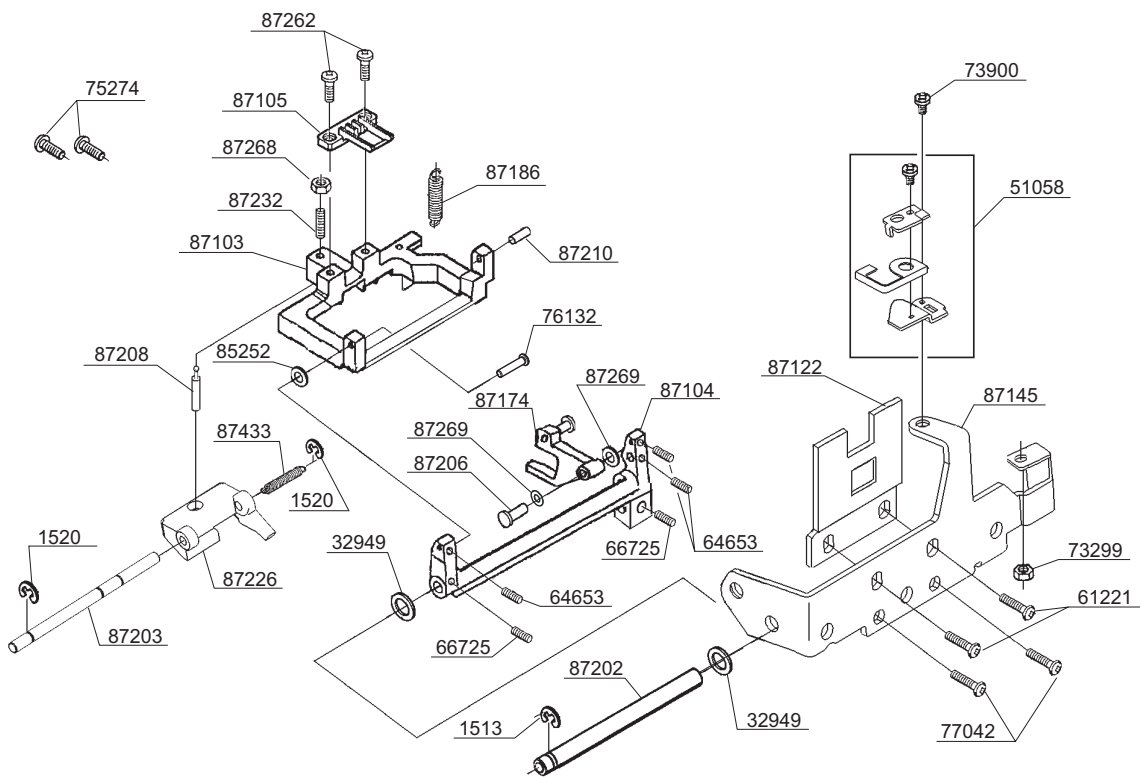
F



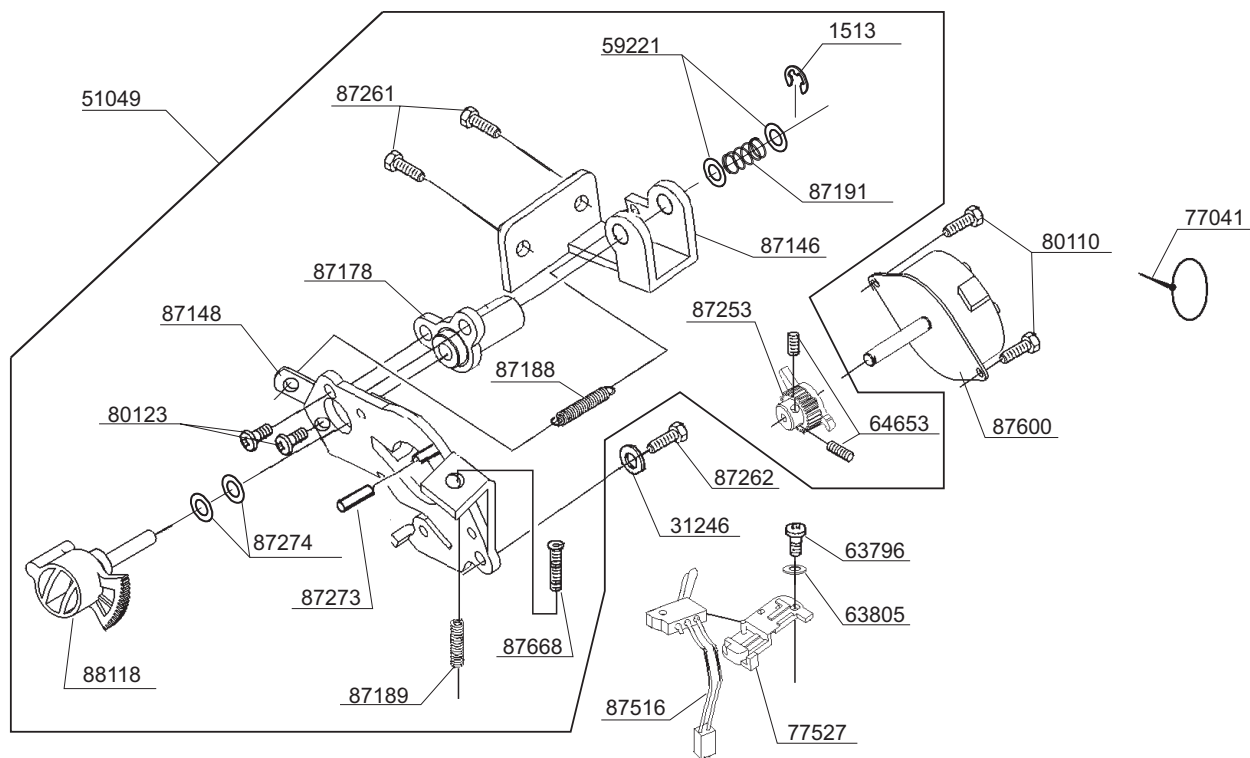
# G



# H

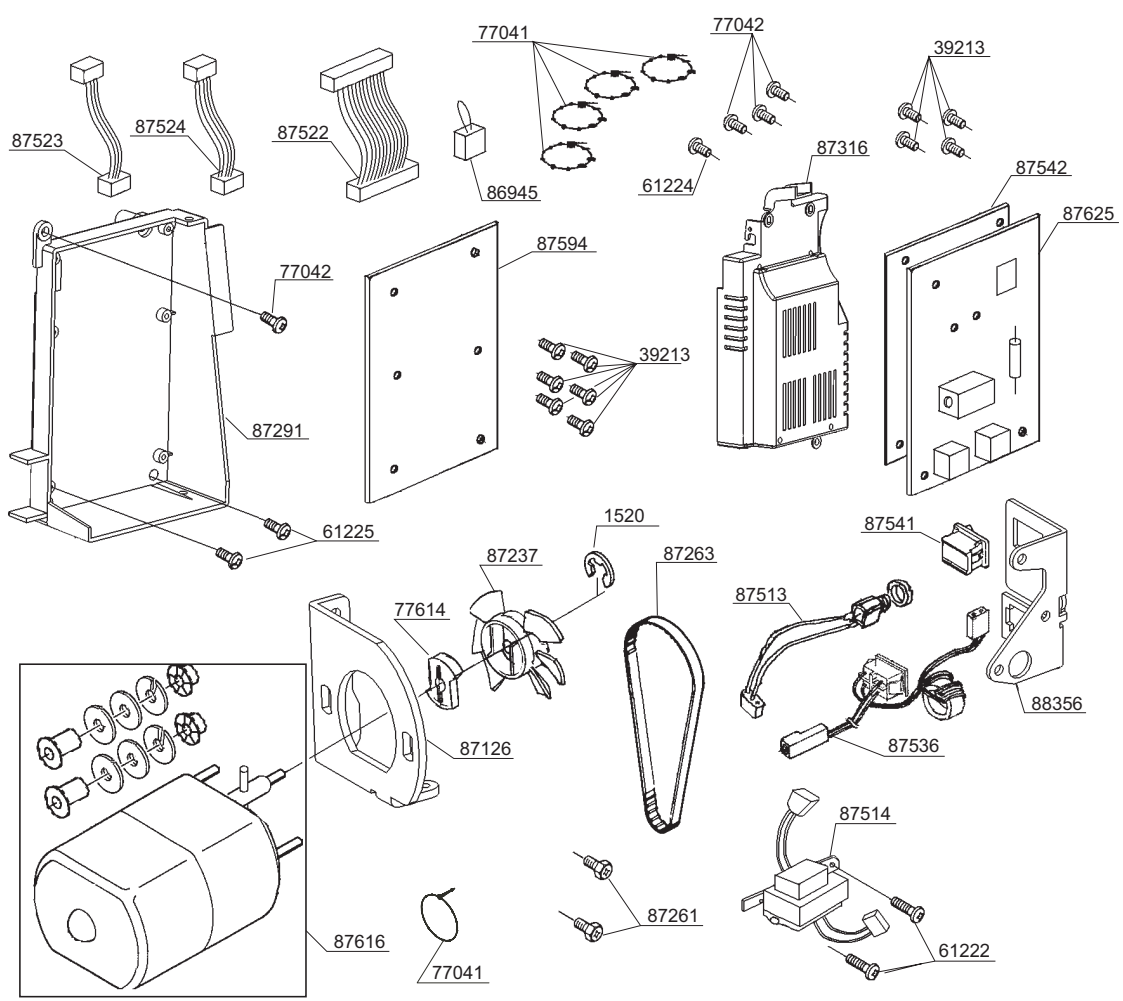


J

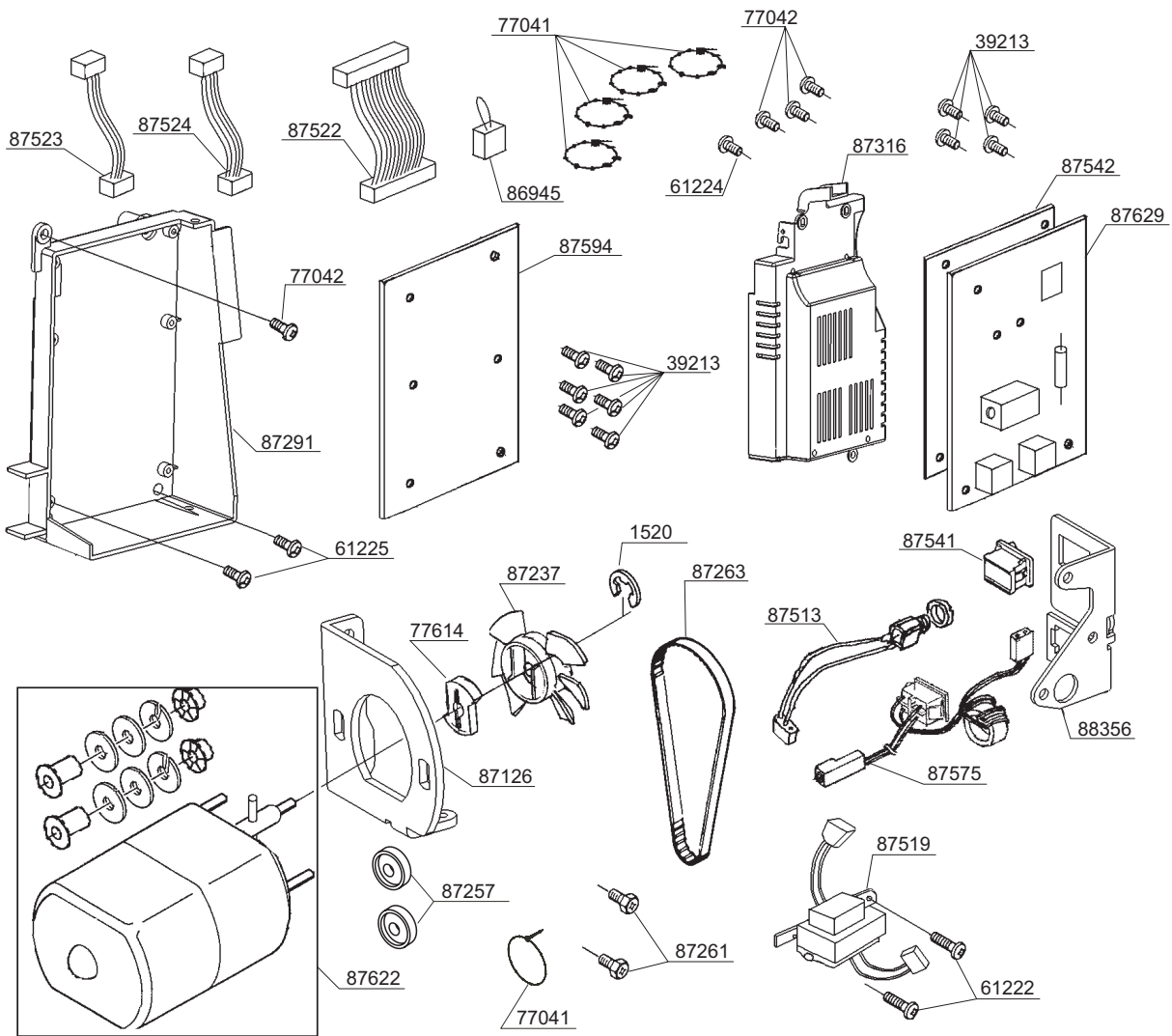


120 Volt

K

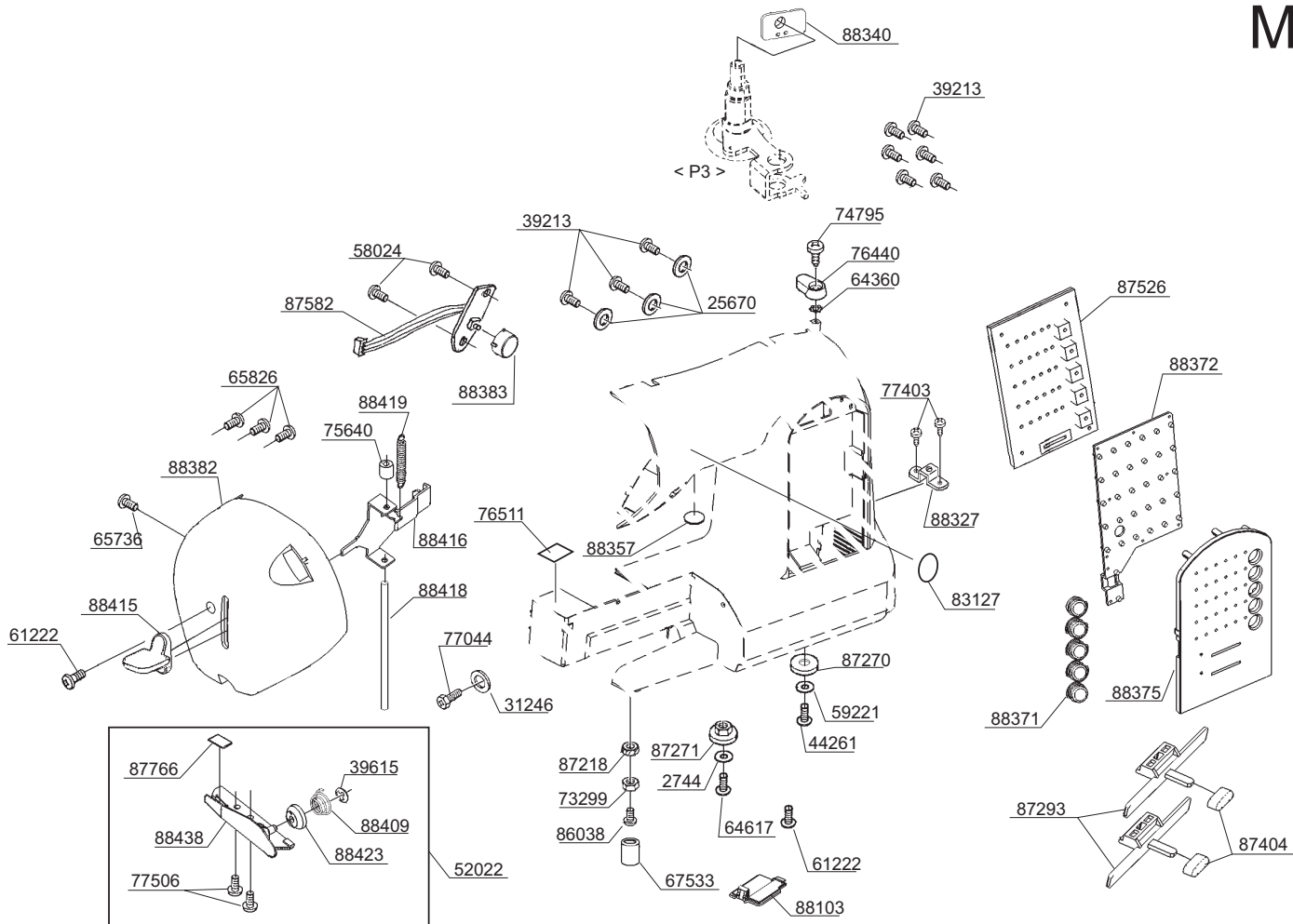


L 230 Volt

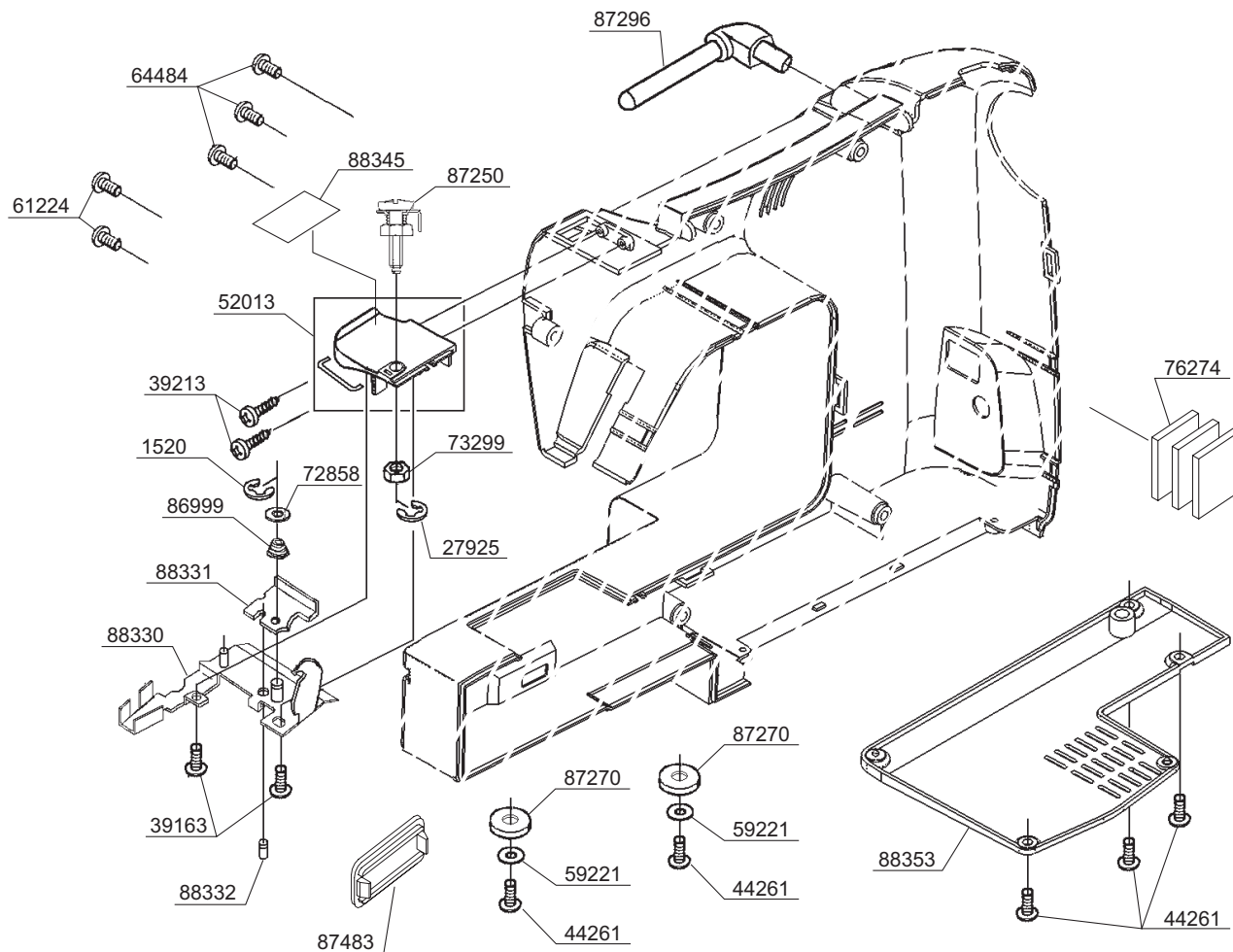


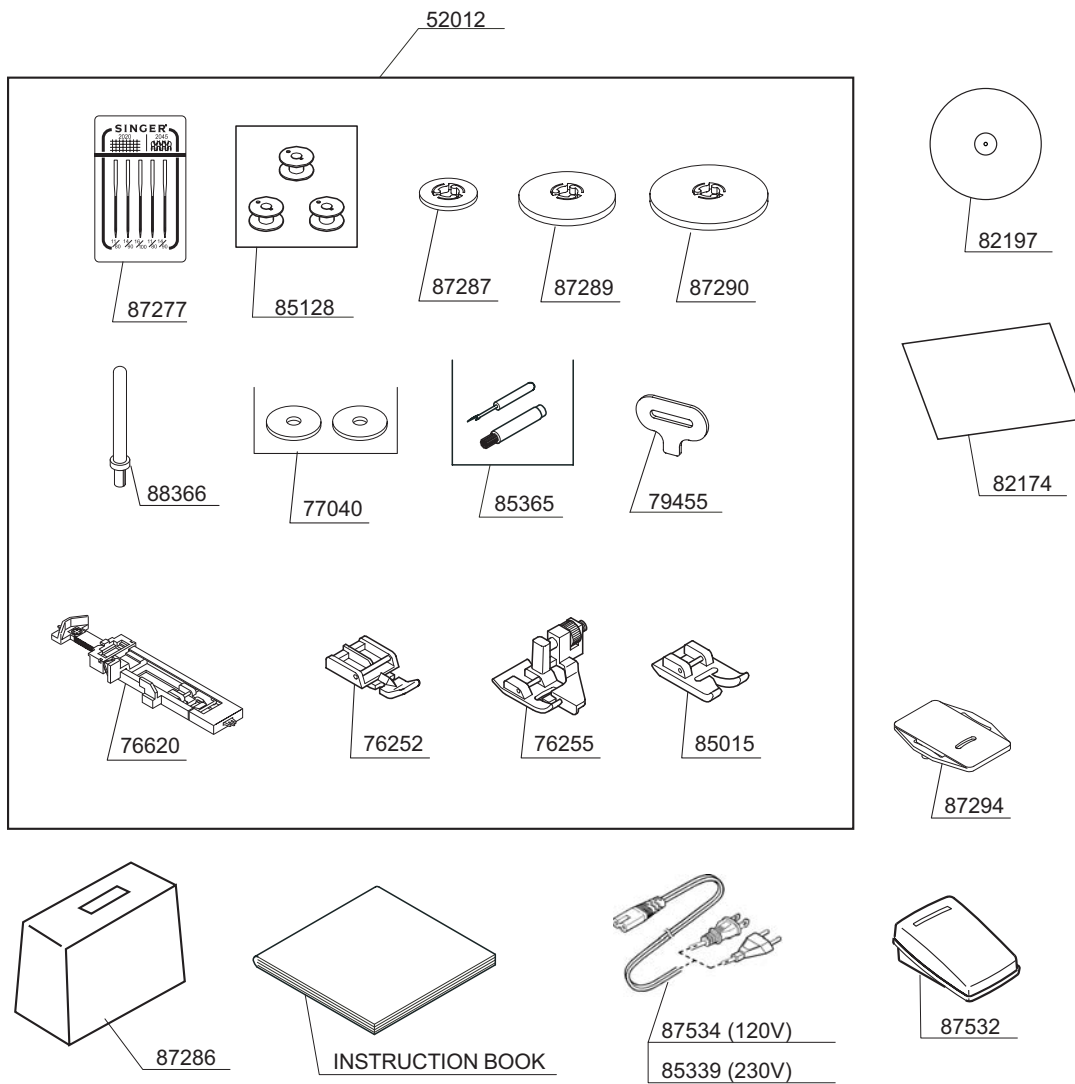


M



N





- 52012 ACCESSORY SET
- 76252 ZIPPER FOOT
- 76255 BLIND STITCH FOOT
- 76620 BUTTONHOLE FOOT
- 77040 SPOOL PIN DISC
- 79455 LARGE SCREW DRIVER
- 82148 INSTRUCTION BOOK (Eng/Fre/Spa)
- 82176 INSTRUCTION BOOK (Ita/Dut/Ger)
- 85015 SATIN FOOT
- 85128 BOBBIN
- 85339 POWER CORD (230V)
- 85365 BUTTONHOLE OPENER / BRUSH
- 87277 NEEDLE SET
- 87286 VINYL COVER
- 87287 SPOOL PIN CAP (MINI)
- 87289 SPOOL PIN CAP (SMALL)
- 87290 SPOOL PIN CAP (LARGE)
- 87294 DARNING PLATE
- 87532 FOOT CONTROL (PIN-JACK TYPE)
- 87534 POWER CORD (120V)
- 88366 SPOOL PIN
- 82174 QUICK START GUIDE SEET
- 82197 QUICK START GUIDE DVD

PART NO.	DESCRIPTION	PAGE	PART NO.	DESCRIPTION	PAGE
513	E4 CLIP-ON-WASHER	A,B,D,H,J	72858	WASHER	N
1520	E3 CLIP-ON-WASHER	D,E,H,K,L,N	73299	M4 TORQUE NUT	D,H,M,N
2744	WASHER	M	73371	M6 SCREW	B
8400	E5 CLIP-ON-WASHER	B,F	73434	M4 PHILIPS SCREW	B,G
10963	E6 CLIP-ON-WASHER	B,C,G	73900	M3 PHILIPS SCREW	C,E,H
25670	WASHER	M	74795	TAPPING SCREW	M
26934	#8 SCREW	D	75024	STOPPER	D
27925	E2.5 CLIP-ON-WASHER	N	75047	CLUTCH	B
28735	CRINKLE WASHER	D	75194	TORSION SPRING	B
28917	HOOK FOR SPRING	D	75274	M4 PHILIPS SCREW	B,H
31246	WASHER	J,M	75640	VINYL TUBE	M
31733	M3 NUT	D	76114	COVER GUIDE (R)	E
32949	WASHER	H	76132	SHAFT	H
39163	TAPPING SCREW	N	76141	BALL METAL	G
39213	M3 SCREW	K,L,M,N	76159	COMPRESSION LEVER	E
39615	CLIP-ON-WASHER	M	76183	NEEDLE BAR	D
43389	THRUST WASHER	B	76203	OILING CORD	G
43390	THRUST WASHER	G	76211	BEVEL GEAR	G
43392	THRUST WASHER	G	76251	ZIGZAG PRESSER FOOT	E
43930	SPRING PIN	B	76252	ZIPPER FOOT	O
44066	SPRING PIN	B	76255	BLIND STITCH FOOT	O
44261	M4 SCREW	M,N	76274	SPACER	N
51049	FEED REGULATOR UNIT	J	76317	M3 PHILLIPS SCREW	D,E
51058	RETAINER SET	H	76440	BOBBIN WINDER LATCH	M
51099	NEEDLE PLATE SET	E	76511	SEAL	M
52001	TENSION ASSY	F	76620	BUTTONHOLE FOOT	O
52002	THREAD GUIDE PLATE ASSY	F	77040	SPOOL PIN DISC	O
52012	ACCESSORY SET	O	77041	UNITY FASTENER	D,F,J,K,L
52013	TENSION COVER	N	77042	M4 PHILIPS SCREW	A,C,D,E,H,K,L
52022	THREAD HOLDER SET	M	77043	FELT	D,E
53321	THRUST WASHER	D	77044	M3 PHILIPS SCREW	M
53403	WASHER	B	77053	M3 PHILIPS SCREW	C
56858	M2 PHILIPS SCREW	E	77057	M3 PHILIPS SCREW	F
58024	TAPPING SCREW	M	77403	SCREW	M
59221	WASHER	J,M,N	77434	HEADED PIN	B
61221	M4 PHILLIPS SCREW	H,F,K,L,M	77504	TAKE-UP LEVER CRANK	B
61224	M4 PHILIPS SCREW	A,B,K,L,N	77506	TAPPING SCREW	B,M
61225	M4 PHILIPS SCREW	K,L	77507	SNAP RING $\phi 4$	B
61341	M4 SCREW	D	77527	SENSOR COVER	D,J
62215	M4 NUT	F	77531	TAKE-UP LEVER	B
62307	M4 SCREW	B	77614	GEAR CLUTCH	K,L
63278	PRESSER BAR	E	79455	LARGE SCREW DRIVER	O
63796	M3 SCREW	D,J	79491	SCREW	E
63805	WASHER	D,J	80065	#7 SCREW FOR SHANK	E
64051	M4 SCREW	E	80070	CORD GUIDE	A
64179	SPRING PIN	G	80073	NEEDLE BAR CRANK SET	D
64359	M4 SCREW	D	80078	SHUTTLE RACE SHAFT	G
64360	TOOTHED WASHER	M	80079	CORD GUIDE	E
64484	TAPPING SCREW	N	80095	STRAIGHT PIN	D
64617	TAPPING SCREW	M	80096	M2 PHILIPS SCREW	E
64653	M3 SCREW	D,H,J	80102	CONTROL PLATE	E
65736	M4 PHILIPS SCREW	M	80109	BRACKET	A
65826	M3 SCREW	M	80110	M3 PHILIPS SCREW	J
66005	M2 PHILIPS SCREW	E	80123	M3 PHILIPS SCREW	J
66052	M4 SCREW	B	80137	COUPLING	B
66235	SECURING PLATE	B	80162	FIXING RING	B
66474	M5 SCREW	B	80256	M3 SCREW	D
66587	WASHER	B	80296	THREAD GUIDE C	D
66725	M4 SCREW	B,D,G,H	80297	TWIN THREADING HOOK SET	D
66727	M4 SCREW	B,E,G	82148	INSTRUCTION BOOK (Eng/Fre/Spa)	O
66787	WASHER	B	82174	QUICK START GUIDE SEET	O
67232	NEEDLE	D	82176	INSTRUCTION BOOK (Ita/Dut/Ger)	O
67444	COLLAR	G	82197	QUICK START GUIDE DVD	O
67447	M5 SCREW	B,G	83127	SEAL	M
67533	RUBBER CUSHION	M	85013	POSITIONING COLLAR	B
68152	BALL BUSH	B	85015	SATIN FOOT	O
68343	PIN	D	85016	PRESSER FOOT HOLDER	E
72266	M4 STUD SCREW	F	85046	COLLAR	B
72367	M4 CP SCREW	D	85064	EXTENSION SPRING	E

PART NO.	DESCRIPTION	PAGE	PART NO.	DESCRIPTION	PAGE
85065	COMPRESSION SPRING	E	87241	ENCODER	B
85128	BOBBIN	G	87242	INSULATION SHEET	C
85128	BOBBIN	O	87245	BELL CLANK FOR ZIGZAG	D
85138	TENSION ROLLER	B	87246	PINION GEAR	D
85181	LEAF SPRING	E	87250	M4 SPECIAL SCREW UNIT	N
85198	BH PLATE (A)	E	87253	PINION GEAR	J
85217	RETAINER	B	87257	BUSH	L
85247	SECURING PLATE	G	87261	CP BOLT	J,K,L
85252	WASHER	H	87262	M3 CP SCREW	H,J
85262	M2 SCREW	E	87263	DRIVING BELT	K,L
85274	M2 SCREW	C	87264	TIMING BELT	B
85339	POWER CORD (230V)	O	87265	SPACER	D
85365	BUTTONHOLE OPENER / BRUSH	O	87268	M6 NUT	H
86038	STUD SCREW	M	87269	WASHER	H
86080	SHUTTLE RACE	G	87270	RUBBER FOOT	M
86132	BOBBIN CASE	G	87270	RUBBER FOOT	N
86376	M3 SCREW	D	87271	RUBBER FOOT	M
86945	JUMPER HARNESS	K,L	87273	PIN	J
86999	SPRING	N	87274	WASHER	J
87103	FEED DOG BASE	H	87277	NEEDLE SET	O
87104	FEED DOG BASE SUPPORT	H	87286	VINYL COVER	O
87105	FEED DOG	H	87287	SPOOL PIN CAP (MINI)	O
87111	NEEDLE BAR SWING BRACKET	D	87288	PULLEY CAP	B
87114	PRESSURE BAR GUIDE	E	87289	SPOOL PIN CAP (SMALL)	O
87117	BH PLATE (B)	E	87290	SPOOL PIN CAP (LARGE)	O
87118	BH PLATE (C)	E	87291	CPU CIRCUIT BOARD BOX	K,L
87122	SUPPORT PLATE	H	87293	SLIDE LEVER	M
87125	IDLER PULLEY BRACKET	B	87294	DARNING PLATE	O
87126	MAIN MOTOR BRACKET	K,L	87296	SPOOL PIN UNIT	N
87128	MOUNTING BRACKET	C	87299	PULLEY	B
87129	RETAINER	C	87316	AC CIRCUIT BOARD BOX	K,L
87139	MOUNTING BRACKET	C	87396	THREAD CONTROL PLATE	E
87145	SECURING BRACKET	H	87404	KNOB	M
87146	BRACKET	J	87433	TORSION SPRING	H
87148	STEPPING MOTOR BRACKET	J	87456	NEEDLE COVER PLATE	E
87154	NEEDLE CLAMP SET	D	87483	CAP	N
87156	BRACKET	A	87506	SWITCH HARNESS	C
87170	BALL METAL	G	87507	BH SWITCH HARNESS	E
87171	TIMING BELT GEAR (LOWER)	G	87513	PIN-JACK HARNESS	K,L
87174	FORKED CRANK	H	87514	TRANSFORMER	K
87178	FEED REGULATOR SHAFT M. BUSH	J	87516	SWITCH HARNESS	J
87180	EXTENSION SPRING	C	87517	SWITCH HARNESS FOR ZIGZAG	D
87182	TORSION SPRING	C	87519	TRANSFORMER	L
87183	SPRING	D	87522	13P CORD HARNESS	K,L
87184	SPRING	D	87523	CORD HARNESS	K,L
87186	TORSION SPRING	H	87524	5P CORD HARNESS	K,L
87188	EXTENSION SPRING	J	87526	SWITCH CIRCUIT BOARD	M
87189	COMPRESSION SPRING	J	87532	FOOT CONTROL (PIN-JACK TYPE)	O
87191	COMPRESSION SPRING	J	87534	POWER CORD (120V)	O
87200	MAIN SHAFT	B	87536	INLET HARNESS	K
87202	SHAFT	H	87541	SWITCH	K,L
87203	SHAFT	H	87542	INSULATION SHEET	K,L
87206	PIN	H	87575	INLET HARNESS	L
87207	STRAIGHT PIN	D	87576	PHOTO SENSOR CIRCUIT BOARD	C
87208	BALL HEADED □ PIN	H	87582	SWITCH HARNESS	M
87210	PIN	H	87594	CPU CIRCUIT BOARD	K,L
87211	M3 SCREW	D	87600	STEPPING MOTOR	D,J
87212	M4 SCREW	F	87616	MAIN MOTOR	K
87214	M3 SHOULDER SCREW	D	87622	MAIN MOTOR	L
87216	PIN	A	87623	LED LIGHT	F
87218	NUT	M	87625	CIRCUIT BOARD	K
87220	BELT PULLEY	B	87629	CIRCUIT BOARD	L
87221	UPPER TIMING BELT GEAR	B	87668	M4 BOLT	J
87226	VERTICAL FEED BLOCK	H	87707	STUD SCREW	B
87228	FEED CAM	G	87709	BALANCER	B
87232	M6 STUD SCREW	H	87714	PRESSURE BAR BRACKET SET	E
87234	RELEASE LEVER	E	87726	NEEDLE BAR ADJUSTING PLATE	D
87235	ZIGZAG CAM WITH GEAR	D	87731	GEAR	B
87237	MOTOR FAN	K,L	87732	COLLAR	B

PART NO.	DESCRIPTION	PAGE	PART NO.	DESCRIPTION	PAGE
87739	BOBBIN WINDER BRACKET	C			
87749	M3 SHOULDER SCREW	C			
87750	BOBBIN WINDER BRACKET UNIT	C			
87766	BLADE	E,L			
87806	PRESSURE BAR LIFTER	F			
87807	MAIN SHAFT GEAR	B			
88089	THREAD GUIDE	D			
88103	COVER	M			
88114	LOWER STRAIGHT SHAFT	G			
88115	LIFTING CAM	G			
88118	FEED REGULATOR	J			
88306	TAKE-UP LEVER SHAFT BLOCK	B			
88308	TENSION RELEASE LEVER	F			
88312	THREAD GUIDE PLATE	F			
88314	LED LIGHT COVER	F			
88315	LED LIGHT COVER BRACKET	F			
88316	LED LIGHT COVER BRACKET	F			
88317	THREAD GUIDE PLATE	D			
88320	NEEDLE PLATE	E			
88321	COVER GUIDE (L)	E			
88322	BLADE PALTE	E			
88323	BRACKET	E			
88324	BOBBIN CASE STOPPER	E			
88325	BRACKET	E			
88327	FRONT COVER BRACKET	M			
88328	HANDLE BRACKET ( L )	A			
88329	HANDLE BRACKET ( R )	A			
88330	THREAD PLATE	N			
88331	THREAD REGULATE PLATE	N			
88332	PIN	N			
88333	BRACKET	F			
88334	STUD	F			
88335	BRACKET	A			
88339	BOBBIN WINDER UNIT	C			
88340	BRACKET	M			
88345	SEAL	N			
88353	BOTTOM COVER	N			
88354	HANDLE	A			
88356	SWITCH BRACKET	K			
88356	SWITCH BRACKET	L			
88357	PLATE	M			
88366	SPOOL PIN	O			
88369	ACC. BOX	A			
88371	PATTERN SWITCH	M			
88372	LED PANEL	M			
88375	CONTROL PANEL	M			
88382	FACE COVER	M			
88383	BUTTON	M			
88409	SPRING	M			
88410	THREAD GUIDE A	D			
88412	THREADER SHAFT	D			
88413	THREADER POSITIONING PLATE	D			
88414	EXTENSION SPRING	D			
88415	THREADER LEVER	M			
88416	BRACKET	M			
88417	M3 AR NUT	D			
88418	THREADER SHAFT	M			
88419	EXTENSION SPRING	M			
88420	NEEDLE BAR SUPPORT	D			
88421	ECCENTRIC CAM	D			
88423	HOLDER TENSION DISC	M			
88425	NEEDLE BAR SUPPORT BRACKET	D			
88427	SECURING PLATE	D			
88428	COMPRESSION SPRING	D			
88429	THREAD GUIDE B	D			
88432	SPRING	D			
88433	WASHER	D			
88438	THREAD HOLDER	M			
88441	THREADER ASSEMBLY	D			