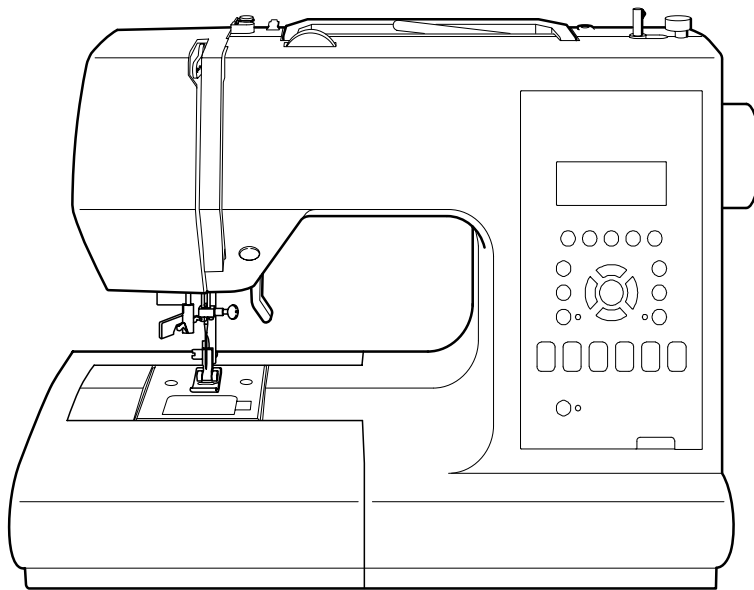


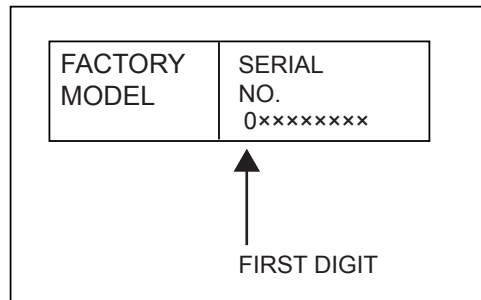


SINGER | Confidence™

7470



Liste de pièces
Lista de Piezas
Parts List



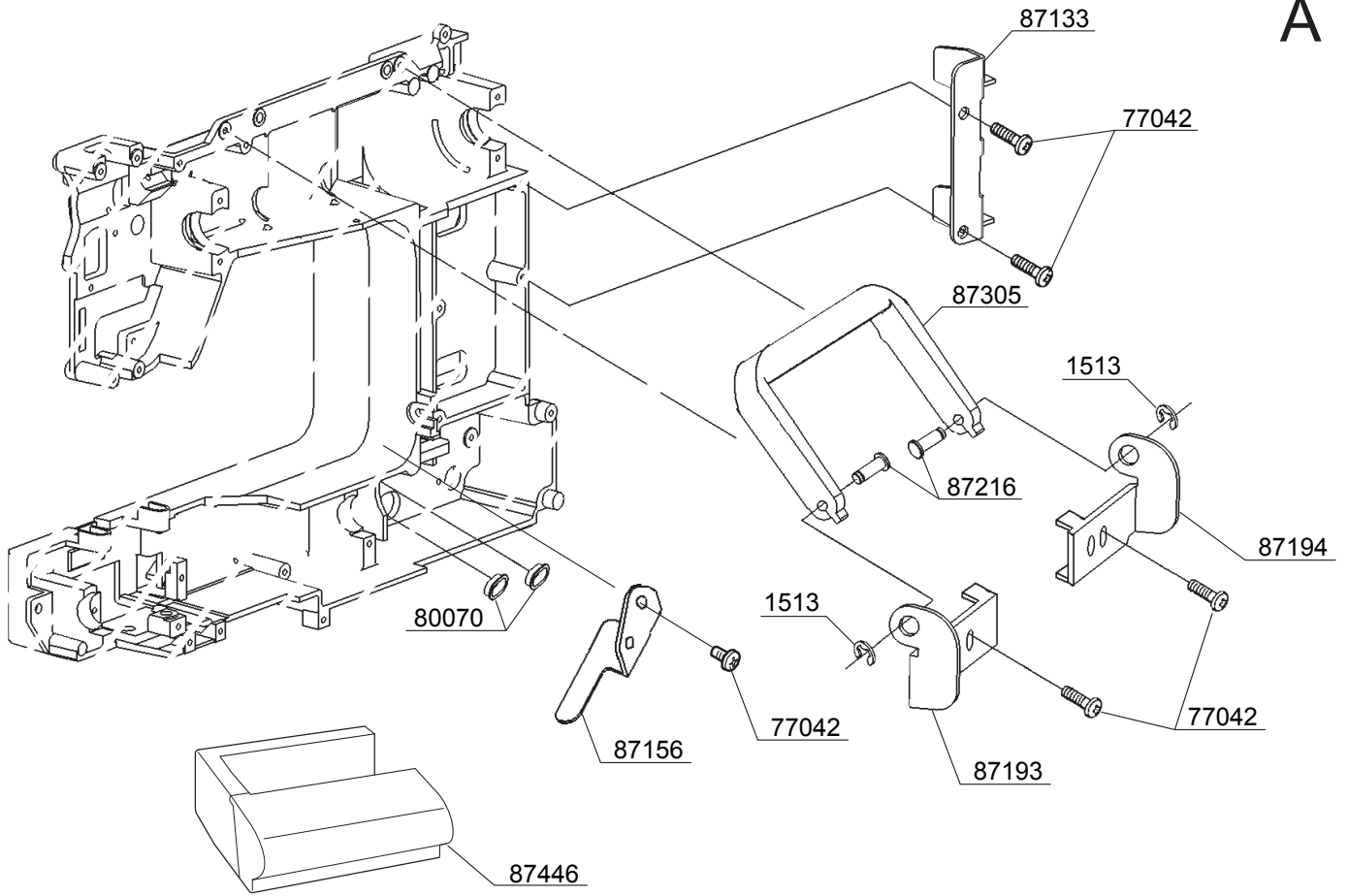
IMPORTANT:

WHEN ORDERING THE PARTS ALWAYS CHECK THE SERIAL NUMBER OF THE MACHINE.

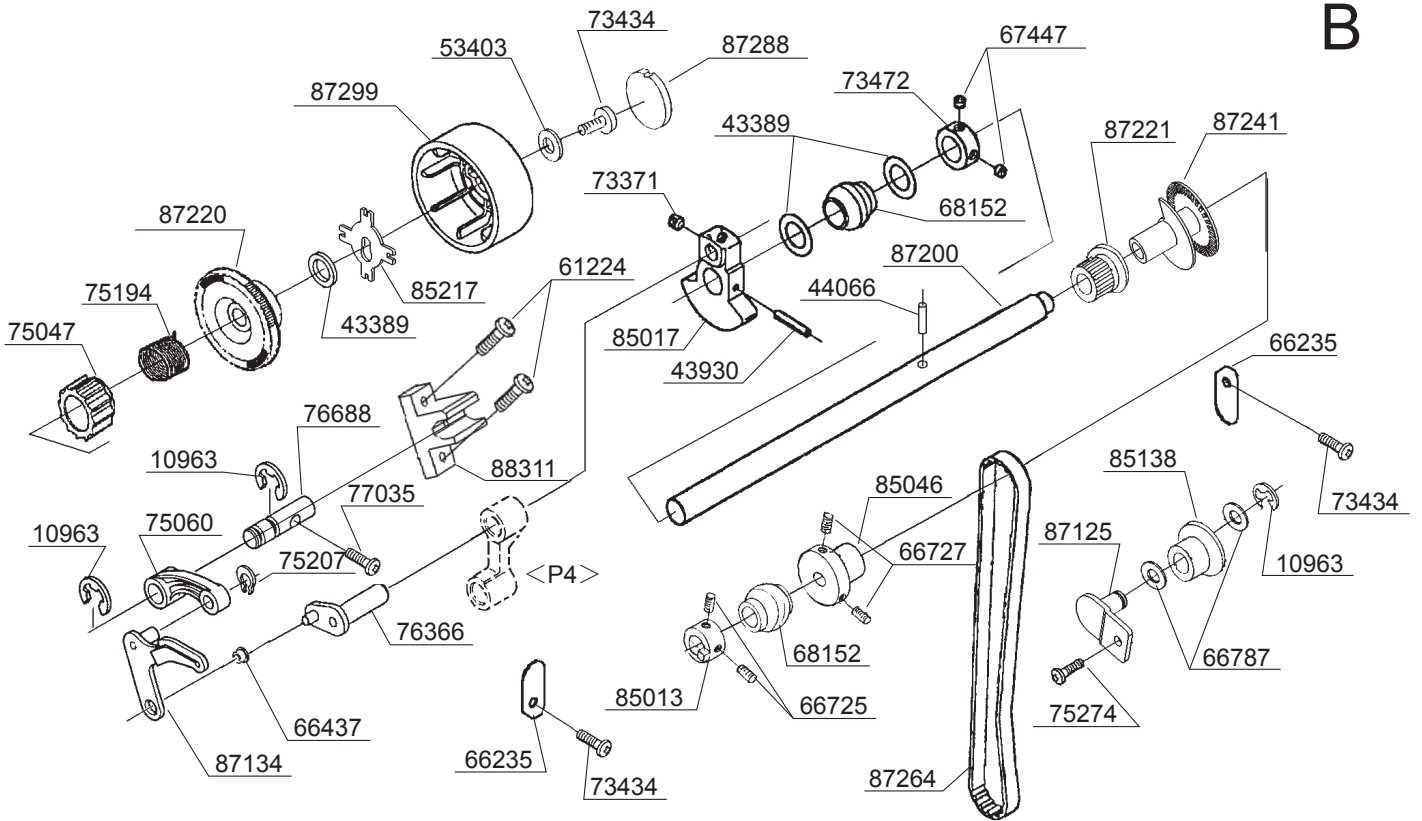
FIRST DIGIT OF THE SERIAL NUMBER MUST MATCH WITH THE LAST DIGIT OF THE FACTOR MODEL BELOW.

FACTORY MODEL CA47060 ,CA470S0

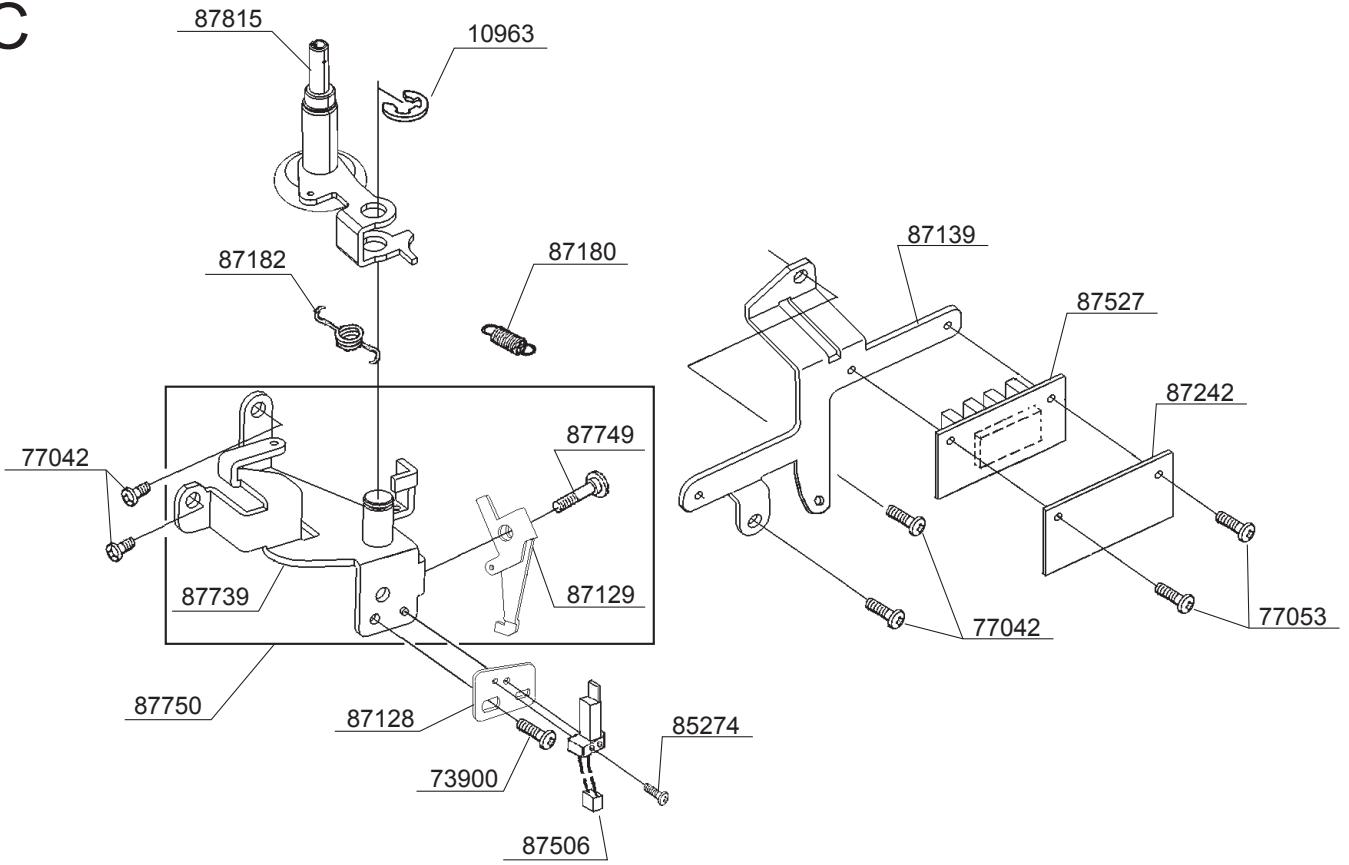
A



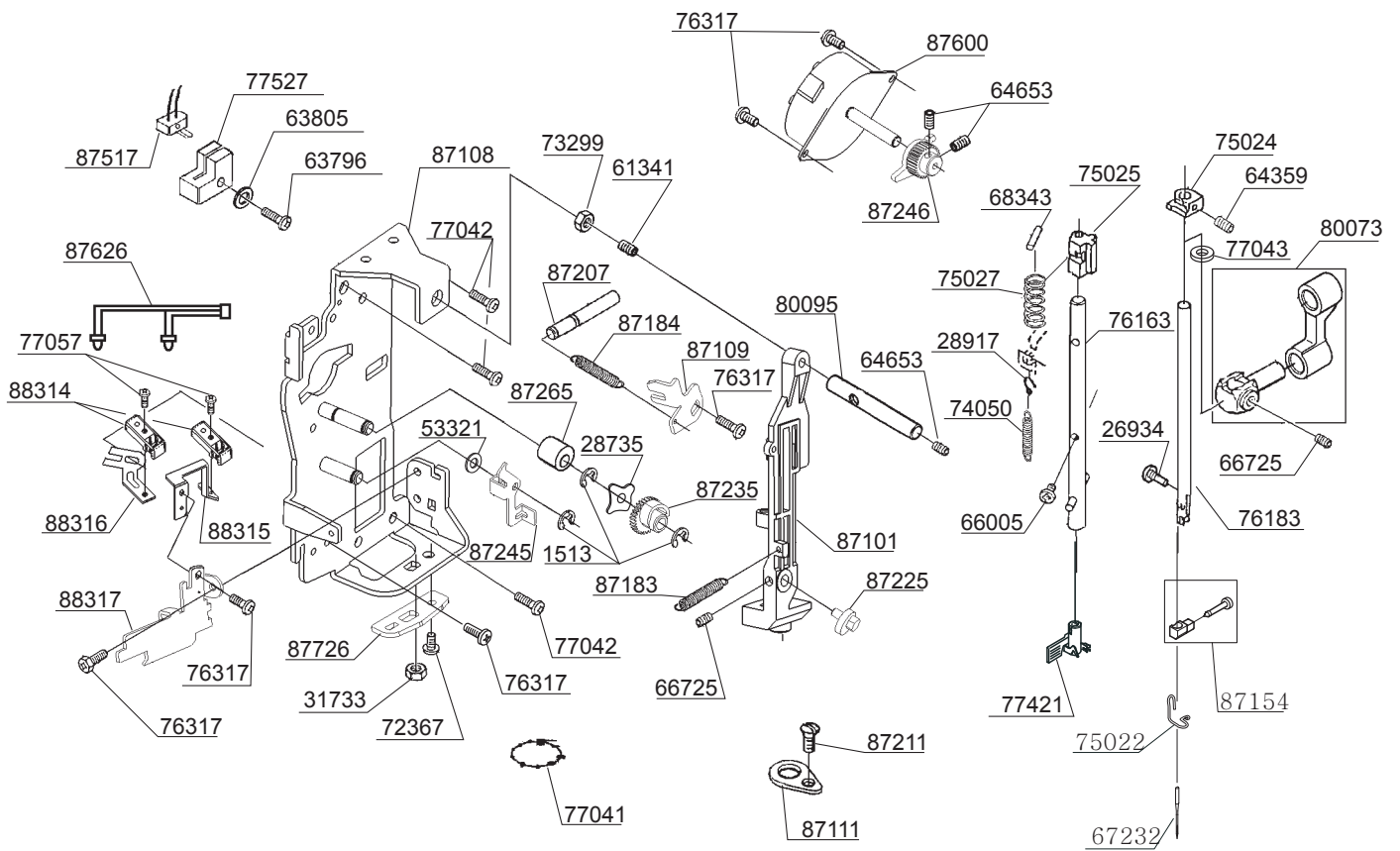
B

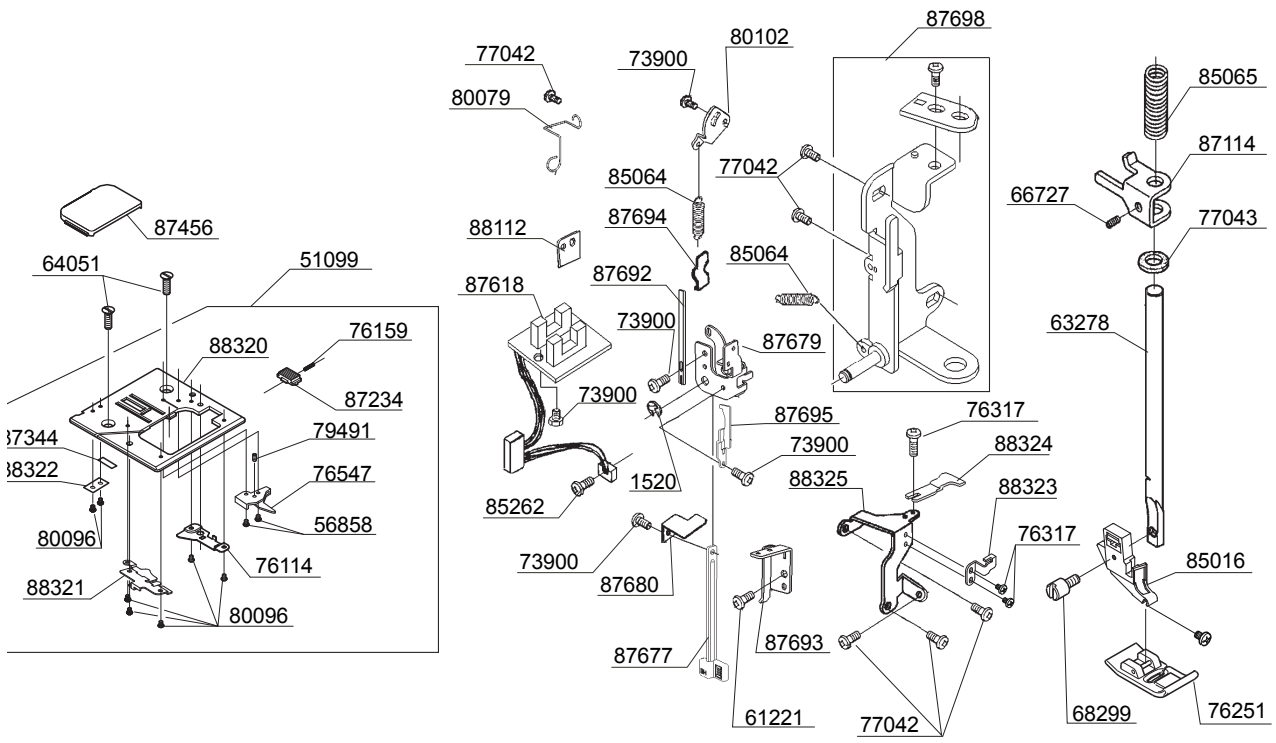


C

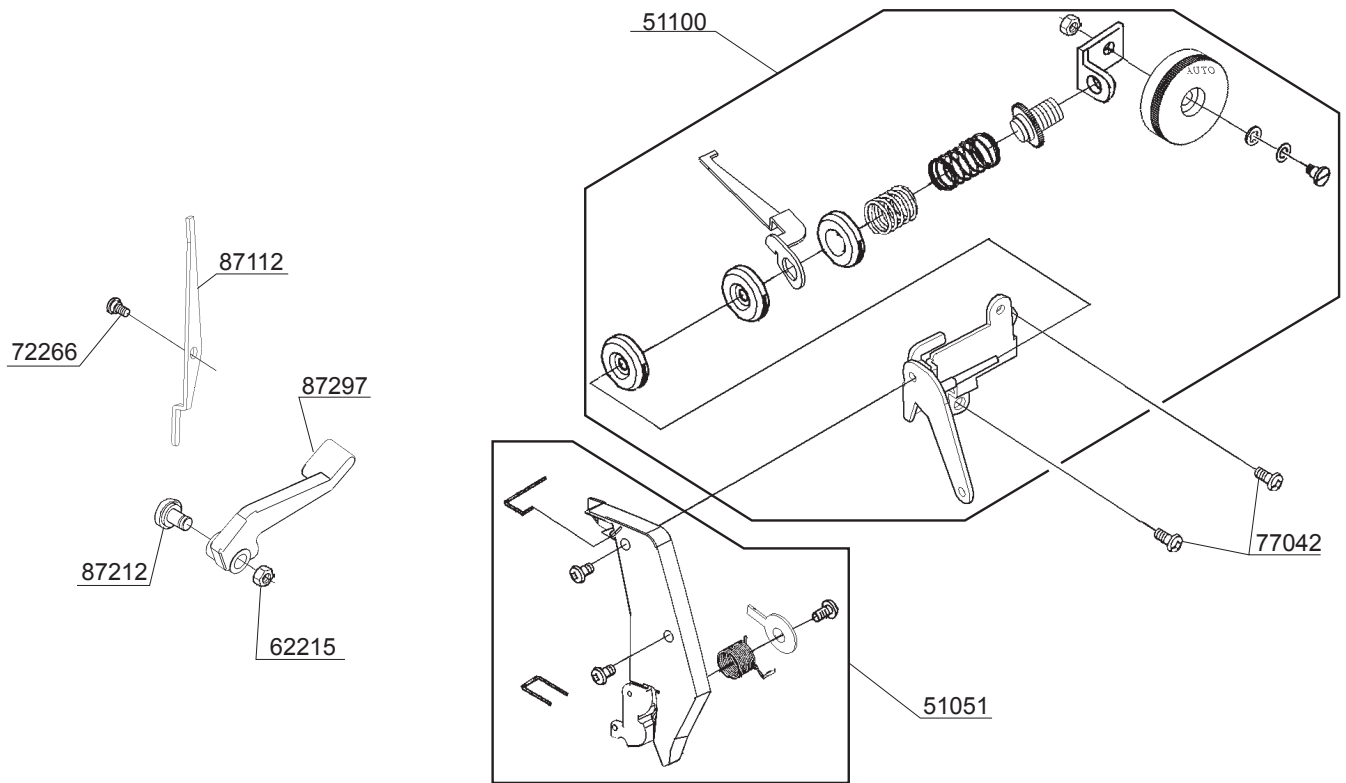


D

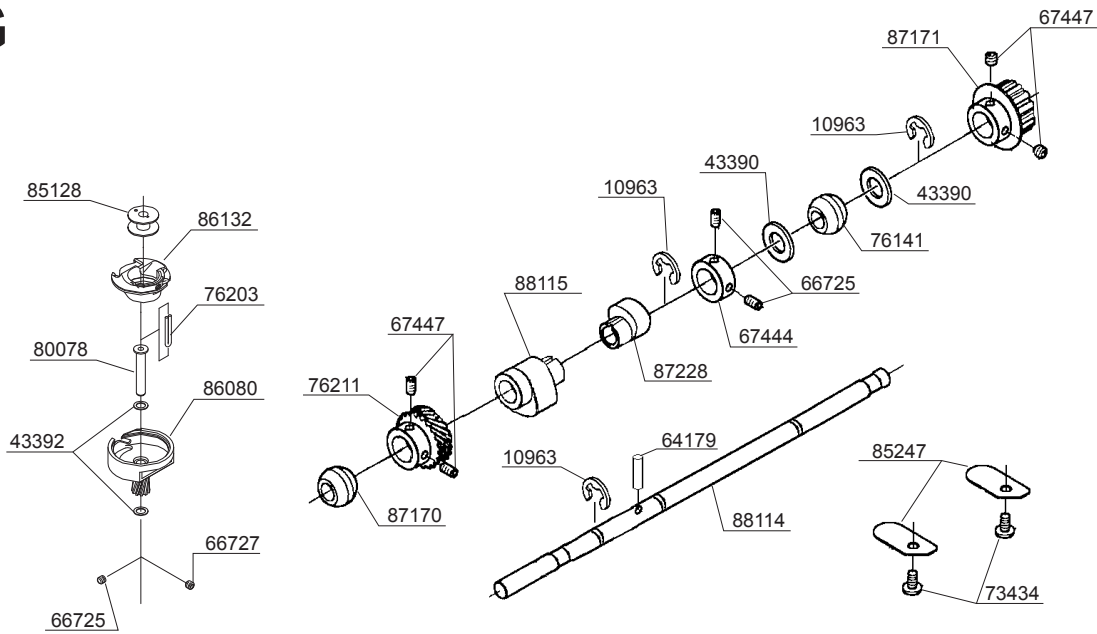




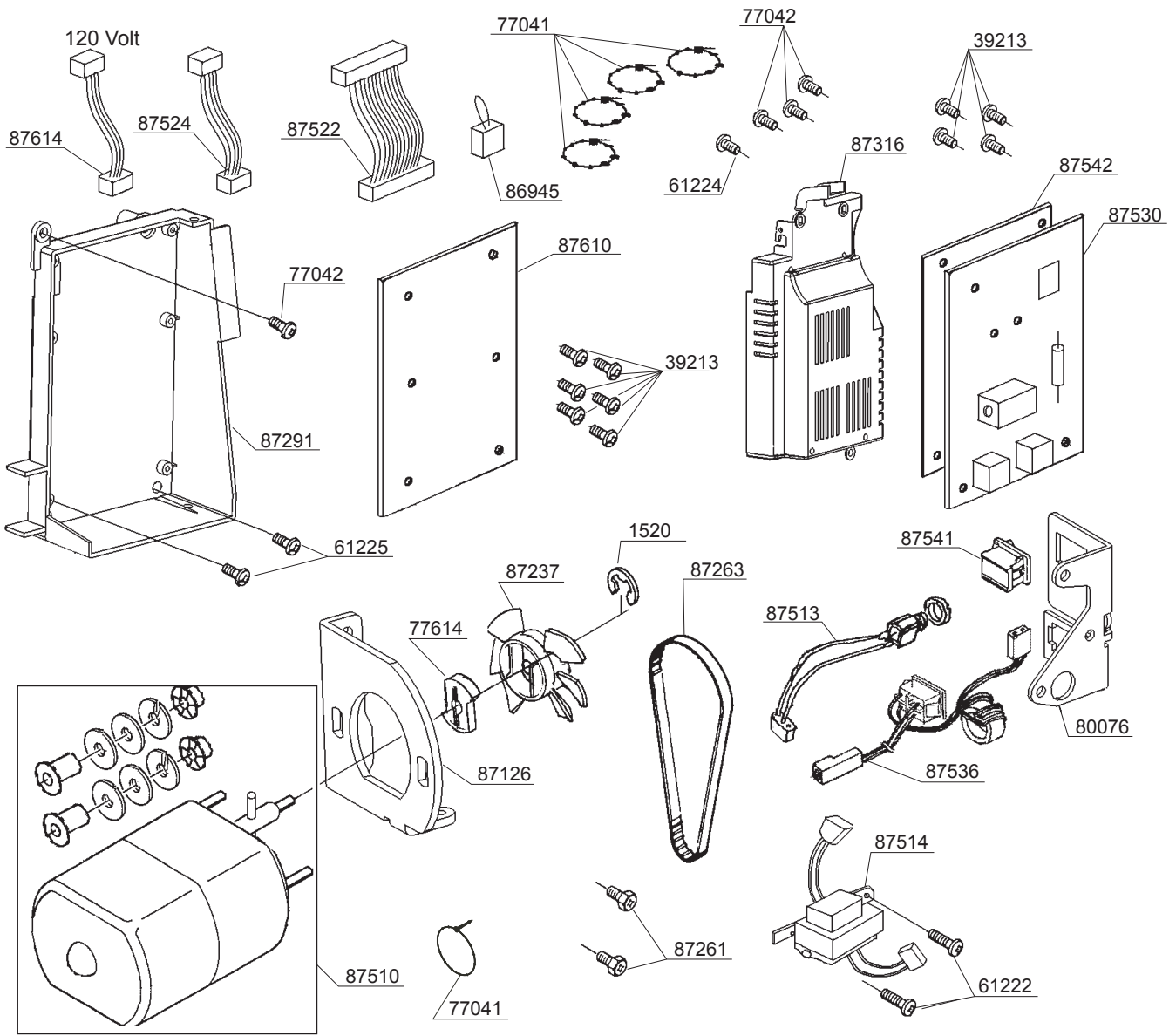
F

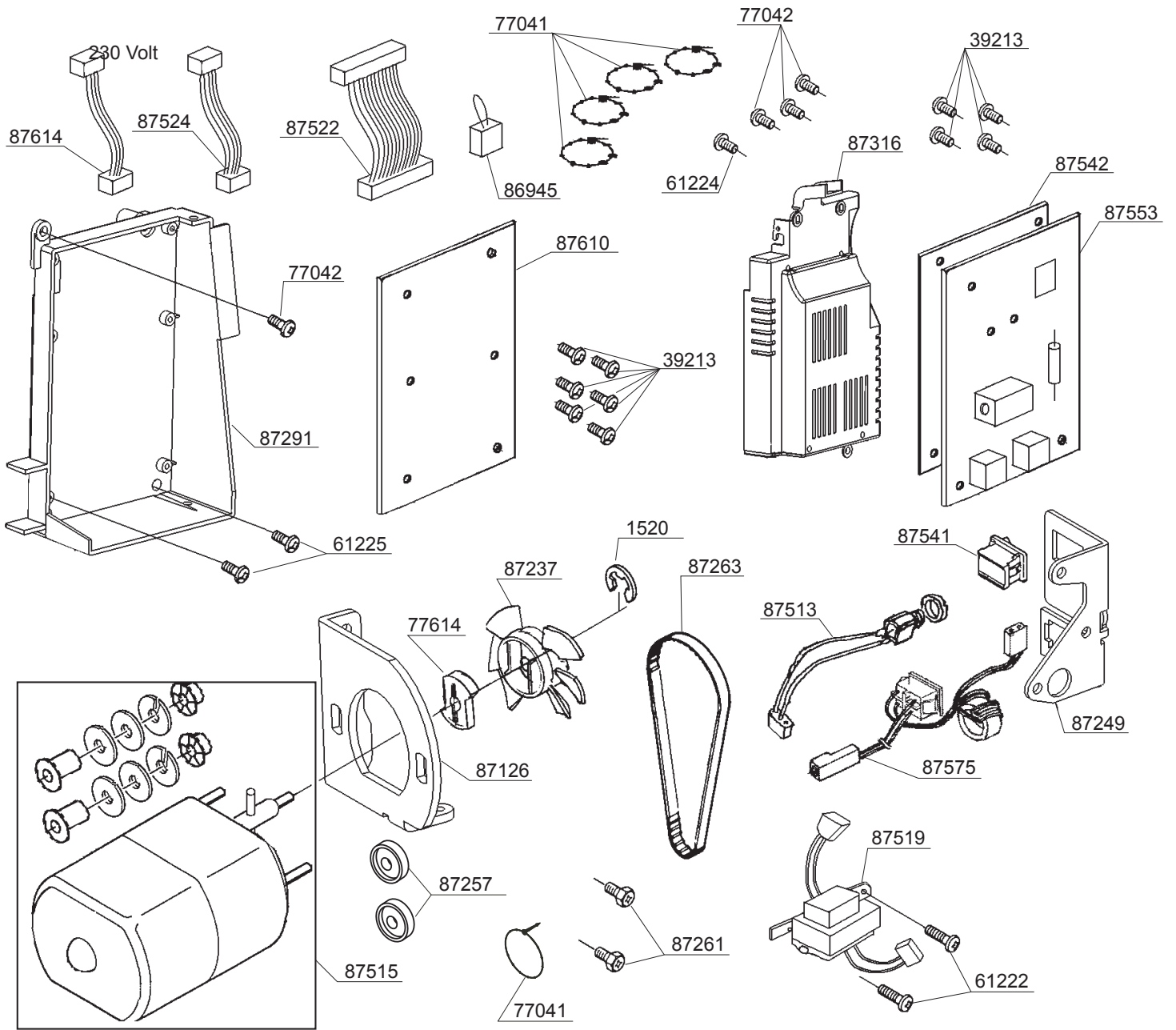


G

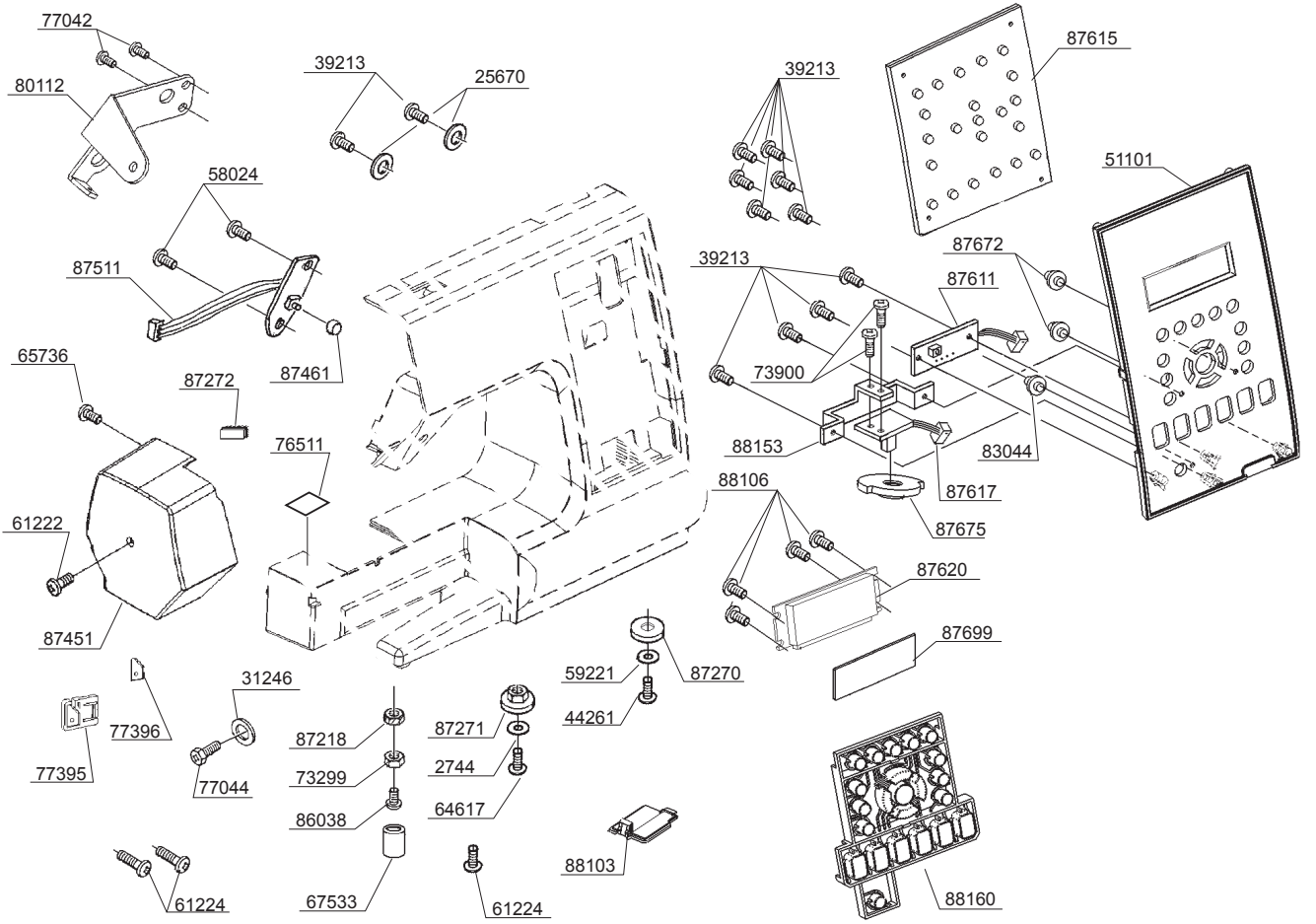


K

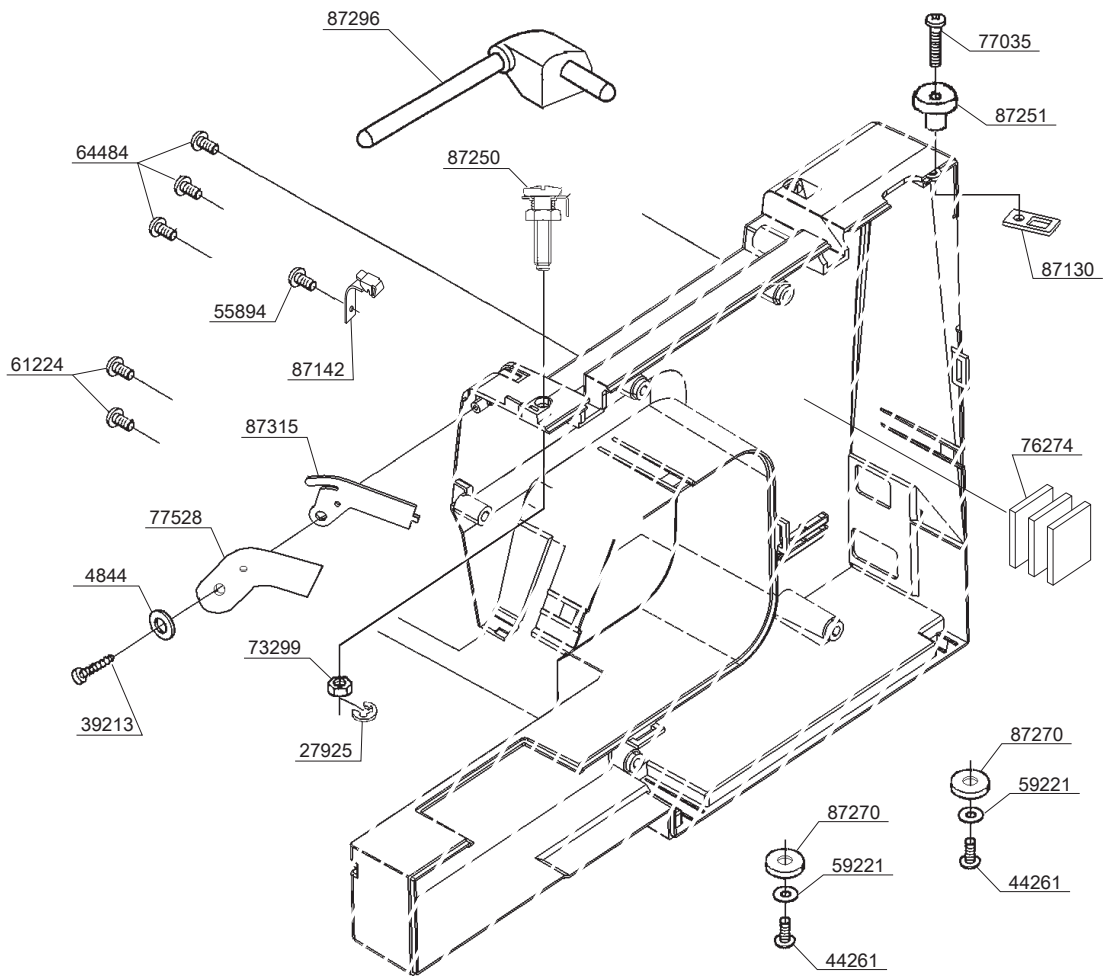


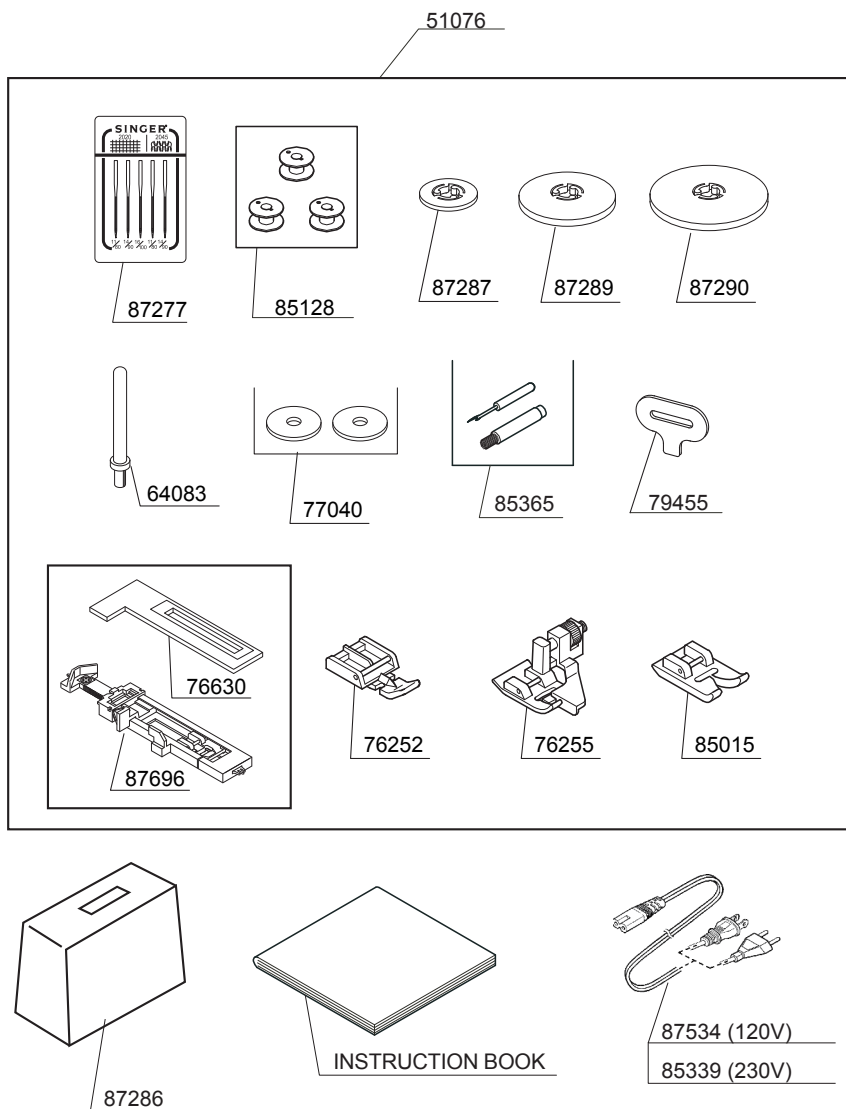


M



N





PART NO.	DESCRIPTION
51076	ACCESSORY SET
64083	SPOOL PIN
76252	ZIPPER FOOT
76255	BLIND STITCH FOOT
76630	BUTTONHOLE PLATE
77040	SPOOL PIN DISC
79455	LARGE SCREW DRIVER
82083	INSTRUCTION BOOK (Eng/Fre/Spa)
82084	INSTRUCTION BOOK (Ita/Dut/Ger)
85015	SATIN FOOT
85128	BOBBIN
85339	POWER CORD (230V)
85365	BUTTONHOLE OPENER / BRUSH
87277	NEEDLE SET
87286	VINYL COVER
87287	SPOOL PIN CAP (MINI)
87289	SPOOL PIN CAP (SMALL)
87290	SPOOL PIN CAP (LARGE)
87532	FOOT CONTROL (PIN-JACK TYPE)
87534	POWER CORD (120V)
87696	BUTTONHOLE FOOT

PART NO.	DESCRIPTION	PAGE	PART NO.	DESCRIPTION	PAGE
1513	E4 CLIP-ON-WASHER	A,D,H,J	74050	EXTENSION SPRING	D
1520	E3 CLIP-ON-WASHER	E,H,K,L	75022	THREAD GUIDE	D
2744	WASHER	M	75024	STOPPER	D
4844	WASHER	N	75025	GUIDE BLOCK	D
10963	E6 CLIP-ON-WASHER	B,C,G	75027	COMPRESSION SPRING	D
25670	WASHER	M	75047	CLUTCH	B
26934	#8 SCREW	D	75060	TAKE-UP LEVER CRANK	B
27925	E2.5 CLIP-ON-WASHER	N,D	75194	TORSION SPRING	B
28917	HOOK FOR SPRING	D	75207	CS-CLIP	B
31246	WASHER	J,M	75274	M4 PHILIPS SCREW	B
31733	M3 NUT	D	75274	M4 PHILIPS SCREW	H
32949	WASHER	H	76114	COVER GUIDE (R)	E
39213	M3 SCREW	K,L,M,N	76132	SHAFT	H
43389	THRUST WASHER	B	76141	BALL METAL	G
43390	THRUST WASHER	G	76159	COMPRESSION LEVER	E
43392	THRUST WASHER	G	76163	THREADER SHAFT SET	D
43930	SPRING PIN	B	76183	NEEDLE BAR	D
44066	SPRING PIN	B	76203	OILING CORD	G
44261	M4 SCREW	M,N	76211	BEVEL GEAR	G
51049	FEED REGULATOR UNIT	J	76251	ZIGZAG PRESSER FOOT	E
51051	TENSION ASSY	F	76252	ZIPPER FOOT	O
51058	RETAINER SET	H	76255	BLIND STITCH FOOT	O
51076	ACCESSORY SET	O	76274	SPACER	N
51099	NEEDLE PLATE SET	E	76317	M3 PHILLIPS SCREW	D,E
51100	THREAD GUIDE PLATE ASSY	F	76366	CRANK SHAFT	B
51101	CONTRAST PANEL	M	76511	SEAL	M
53321	THRUST WASHER	D	76547	THREAD CONTROL PLATE	E
53403	WASHER	B	76630	BUTTONHOLE PLATE	O
55894	TAPPING SCREW	N	76688	SHAFT	B
56858	M2 PHILIPS SCREW	E	77035	M4 PHILIPS SCREW	B,N
58024	TAPPING SCREW	M	77040	SPOOL PIN DISC	O
59221	WASHER	J,M,N	77041	UNITY FASTENER	D,J,K,L
61221	M4 PHILIPS SCREW	E,H,K,L,M	77042	M4 PHILIPS SCREW	A,C,D,E,F,H,J,K,L,M
61224	M4 PHILIPS SCREW	B,K,L,M,N	77043	FELT	D,E
61225	M4 PHILIPS SCREW	K,L	77044	M3 PHILIPS SCREW	M
61341	M4 SCREW	D	77053	M3 PHILIPS SCREW	C
62215	M4 NUT	F	77057	M3 PHILIPS SCREW	D
63278	PRESSER BAR	E	77395	BLADE FIXTURE	M
63796	M3 SCREW	D,J	77396	BLADE	M
63805	WASHER	D,J	77421	THREADER ASSEMBLY	D
64051	M4 SCREW	E	77527	SENSOR COVER	D,J
64083	SPOOL PIN	O	77528	SPRING PLATE	N
64179	SPRING PIN	G	77614	GEAR CLUTCH	K,L
64359	M4 SCREW	D	79455	LARGE SCREW DRIVER	O
64484	TAPPING SCREW	N	79491	SCREW	E
64617	TAPPING SCREW	M	80070	CORD GUIDE	A
64653	M3 SCREW	D,H,J	80073	NEEDLE BAR CRANK SET	D
65736	M4 PHILIPS SCREW	M	80076	SWITCH BRACKET	K
66005	M2 PHILLIPS SCREW	D	80078	SHUTTLE RACE SHAFT	G
66235	SECURING PLATE	B	80079	CORD GUIDE	E,J
66437	BUSH	B	80095	STRAIGHT PIN	D
66725	M4 SCREW	B,D,G,H	80096	M2 PHILIPS SCREW	E
66727	M4 SCREW	B,E,G	80102	CONTROL PLATE	E
66787	WASHER	B	80110	M3 PHILLIPS SCREW	J
67232	NEEDLE	D	80112	FACE COVER BRACKET	M
67444	COLLAR	G	80123	M3 PHILLIPS SCREW	J
67447	M5 SCREW	B,G	82083	INSTRUCTION BOOK (Eng/Fre/Spa)	O
67533	RUBBER CUSHION	M	82084	INSTRUCTION BOOK (Ita/Dut/Ger)	O
68152	BALL BUSH	B	83044	LED PANEL	M
68299	#7 SCREW FOR SHANK	E	85013	POSITIONING COLLAR	B
68343	PIN	D	85015	SATIN FOOT	O
72266	M4 STUD SCREW	F	85016	PRESSER FOOT HOLDER	E
72367	M4 CP SCREW	D	85017	BALANCER	B
72858	WASHER	H	85046	COLLAR	B
73299	M4 TORQUE NUT	D,H,M,N	85064	EXTENSION SPRING	E
73371	M6 SCREW	B	85065	COMPRESSION SPRING	E
73434	M4 PHILIPS SCREW	B,G	85128	BOBBIN	G,O
73472	COLLAR	B	85138	TENSION ROLLER	B
73900	M3 PHILIPS SCREW	C,E,H,M	85217	RETAINER	B

PART NO.	DESCRIPTION	PAGE	PART NO.	DESCRIPTION	PAGE
85247	SECURING PLATE	G	87245	BELL CLANK FOR ZIGZAG	D
85252	WASHER	H	87246	PINION GEAR	D
85262	M2 SCREW	E	87249	SWITCH BRACKET	L
85274	M2 SCREW	C	87250	M4 SPECIAL SCREW UNIT	N
85339	POWER CORD (230V)	O	87251	BOBBIN WINDER CAM	N
85365	BUTTONHOLE OPEN/BRUSH	O	87253	PINION GEAR	J
86038	STUD SCREW	M	87257	BUSH	L
86080	SHUTTLE RACE	G	87261	CP BOLT	J
86132	BOBBIN CASE	G	87261	CP BOLT	K
86945	JUMPER HARNESS	K	87261	CP BOLT	L
86945	JUMPER HARNESS	L	87262	M3 CP SCREW	H,J
87101	NEEDLE BAR SUPPORT	D	87263	DRIVING BELT	K,L
87103	FEED DOG BASE	H	87264	TIMING BELT	B
87104	FEED DOG BASE SUPPORT	H	87265	SPACER	D
87108	NEEDLE BAR SUPPORT	D	87268	M6 NUT	H
87109	SECURING PLATE	D	87269	WASHER	H
87111	NEEDLE BAR SWING	D	87270	RUBBER FOOT	M,N
87112	TENSION RELEASE LEVER	F	87271	RUBBER FOOT	M
87114	PRESSURE BAR GUIDE	E	87272	BRUSH	M
87122	SUPPORT PLATE	H	87273	PIN	J
87125	IDLER PULLEY BRACKET	B	87274	WASHER	J
87126	MAIN MOTOR BRACKET	K,L	87277	NEEDLE SET	O
87128	MOUNTING BRACKET	C	87286	VINYL COVER	O
87129	RETAINER	C	87287	SPOOL PIN CAP (MINI)	O
87130	RETAINER	N	87288	PULLEY CAP	B
87133	BRACKET	A	87289	SPOOL PIN CAP (SMALL)	O
87134	TAKE-UP LEVER	B	87290	SPOOL PIN CAP (LARGE)	O
87139	MOUNTING BRACKET	C	87291	CPU CIRCUIT BOARD BOX	K,L
87142	RETAINER	N	87296	SPOOL PIN UNIT	N
87146	BRACKET	J	87297	PRESSURE BAR LIFTER	F
87148	STEPPING MOTOR BRACKET	J	87299	PULLEY	B
87154	NEEDLE CLAMP SET	D	87305	HANDLE	A
87156	BRACKET	A	87315	TENSION PLATE	N
87170	BALL METAL	G	87316	AC CIRCUIT BOARD BOX	K,L
87171	TIMING BELT GEAR (LOWER)	G	87344	BLADE	E
87174	FORKED CRANK	H	87422	DROP GUIDE	H
87178	FEED REG. SHAFT BUSH	J	87423	DROP LEVER	H
87180	EXTENSION SPRING	C	87424	TORSION SPRING	H
87182	TORSION SPRING	C	87425	DROP KNOB	H
87183	SPRING	D	87426	SECURING BRACKET	H
87184	SPRING	D	87433	TORSION SPRING	H
87186	TORSION SPRING	H	87446	ACC. BOX	A
87188	EXTENSION SPRING	J	87451	FACE COVER	M
87189	COMPRESSION SPRING	J	87456	NEEDLE COVER PLATE	E
87191	COMPRESSION SPRING	J	87461	BUTTON	M
87193	HANDLE BRACKET (L)	A	87506	SWITCH HARNESS	C
87194	HANDLE BRACKET (R)	A	87510	MAIN MOTOR	K
87200	MAIN SHAFT	B	87511	SWITCH HARNESS	M
87202	SHAFT	H	87513	PIN-JACK HARNESS	K,L
87203	SHAFT	H	87514	TRANSFORMER	K
87206	PIN	H	87515	MAIN MOTOR	L
87207	STRAIGHT PIN	D	87516	SWITCH HARNESS	J
87208	BALL HEADED □ PIN	H	87517	SWITCH HARNESS - ZIGZAG	D
87210	PIN	H	87519	TRANSFORMER	L
87211	M3 SCREW	D	87522	13P CORD HARNESS	K,L
87212	M4 SCREW	F	87524	5P CORD HARNESS	K,L
87216	PIN	A	87527	PHOTO SENSOR CIRCUIT BOARD	C
87218	NUT	M	87530	CIRCUIT BOARD	K
87220	BELT PULLEY	B	87532	FOOT CONTROL (PIN-JACK TYPE)	O
87221	UPPER TIMING BELT GEAR	B	87534	POWER CORD (120V)	O
87225	ECCENTRIC CAM	D	87536	INLET HARNESS	K
87226	VERTICAL FEED BLOCK	H	87541	SWITCH	K,L
87228	FEED CAM	G	87542	INSULATION SHEET	K,L
87232	M6 STUD SCREW	H	87553	CIRCUIT BOARD	L
87234	RELEASE LEVER	E	87575	INLET HARNESS	L
87235	ZIGZAG CAM WITH GEAR	D	87600	STEPPING MOTOR	D,J
87237	MOTOR FAN	K,L	87610	CPU CIRCUIT BOARD	K,L
87241	ENCODER	B	87611	NDL STOP OPSITION SW HARNESS	M
87242	INSULATION SHEET	C	87614	CORD HARNESS	K,L

PART NO.	DESCRIPTION	PAGE
87615	SWITCH CIRCUIT BOARD	M
87617	LCD CONTRAST HARNESS	M
87618	BH SWITCH HARNESS	E
87620	LCD UNIT	M
87626	LED LIGHT	D
87668	M4 BOLT	J
87669	FEED DOG	H
87672	LED PANEL	M
87675	CONTRAST KNOB	M
87677	BH PLATE (A)	E
87679	BH PLATE (B)	E
87680	BH PLATE (C)	E
87692	BH LEAF	E
87693	BRACKET	E
87694	LEAF SPRING	E
87695	BH PLATE	E
87696	BUTTONHOLE FOOT	O
87698	P - BAR BRACKET SET	E
87699	PROTECTOR FOR LED	M
87726	NEEDLE BAR ADJUST PLATE	D
87739	BOBBIN WINDER BRACKET	C
87749	M3 SHOULDER SCREW	C
87750	BOBBIN WINDER BRACKET	C
87815	BOBBIN WINDER UNIT	C
88103	COVER	M
88106	TAPPING SCREW	M
88112	INSULATION SHEET	E
88114	LOWER STRAIGHT SHAFT	G
88115	LIFTING CAM	G
88118	FEED REGULATOR	J
88153	BRACKET	M
88160	PATTERN SWITCH	M
88311	TAKE-UP LEVER SHAFT BLOCK	B
88314	LED LIGHT COVER	D
88315	LED LIGHT COVER BRACKET	D
88316	LED LIGHT COVER BRACKET	D
88317	THREAD GUIDE PLATE	D
88320	NEEDLE PLATE	E
88321	COVER GUIDE (L)	E
88322	BLADE PALTE	E
88323	BRACKET	E
88324	BOBBIN CASE STOPPER	E
88325	BRACKET	E