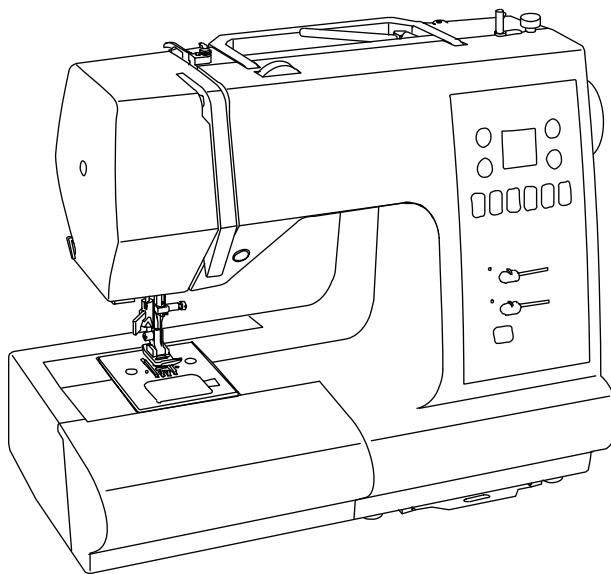




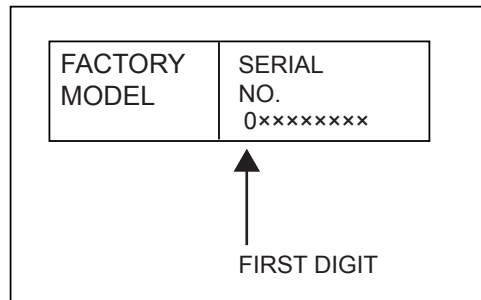
SINGER | Confidence™

7465

7467



Liste de pièces
Lista de Piezas
Parts List



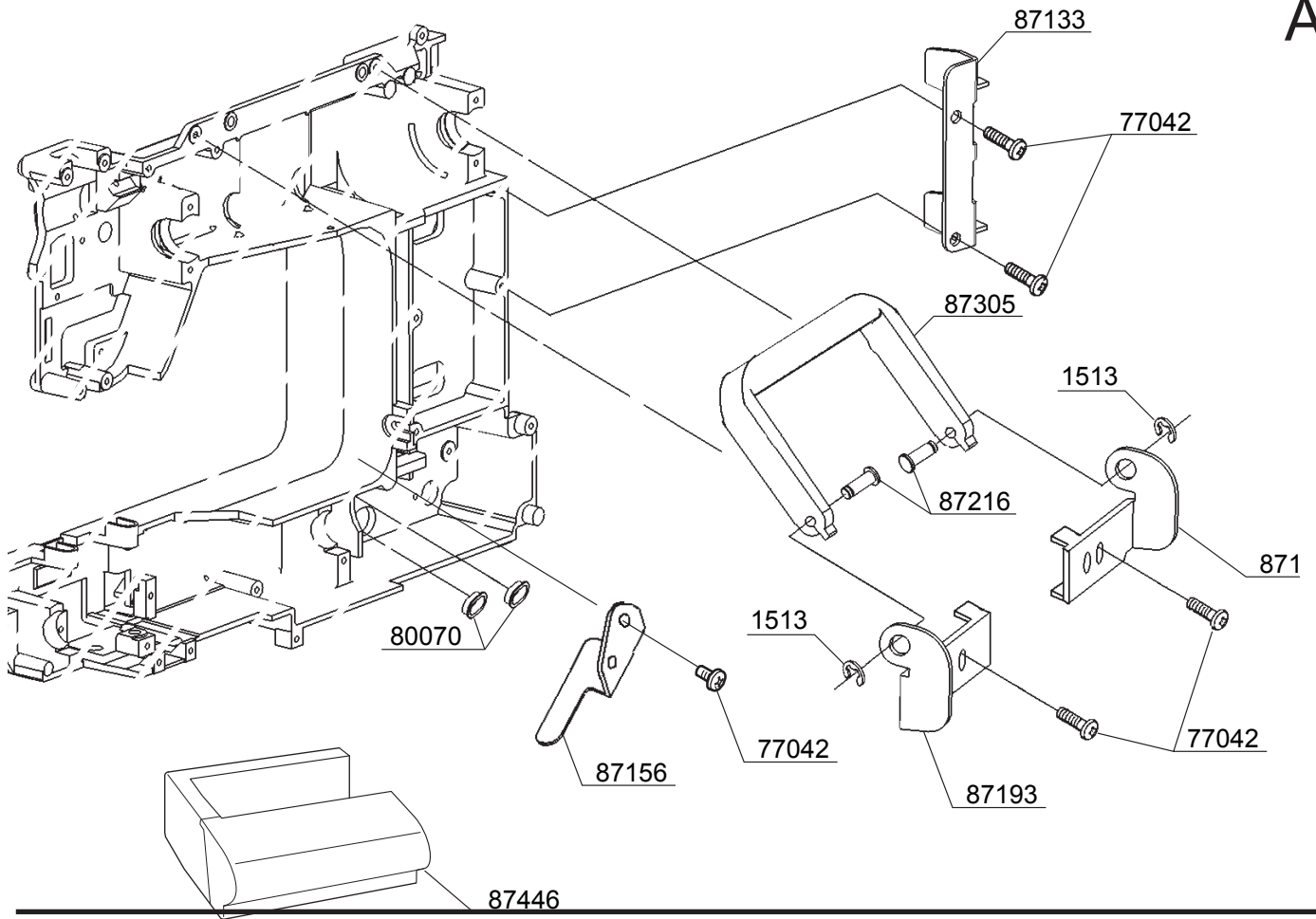
IMPORTANT:

WHEN ORDERING THE PARTS ALWAYS CHECK THE SERIAL NUMBER OF THE MACHINE.

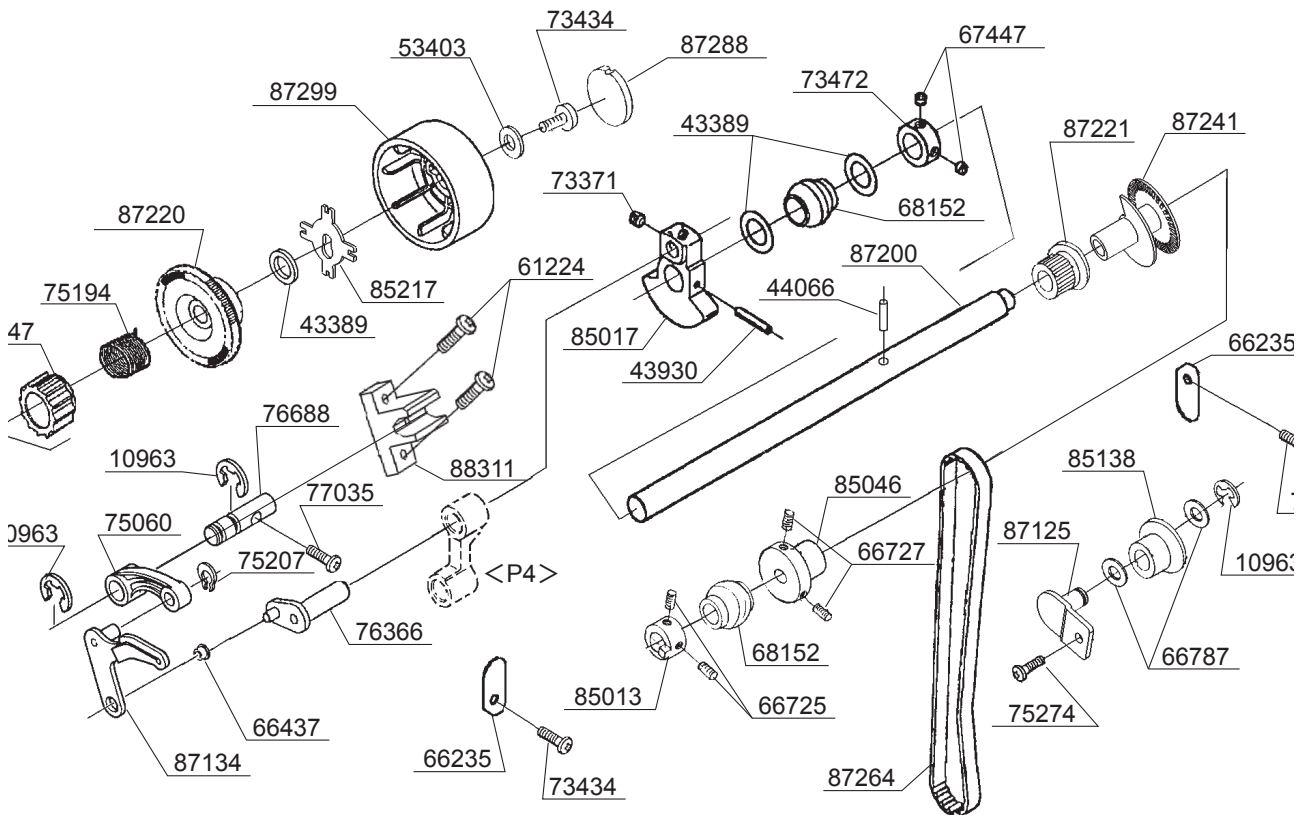
FIRST DIGIT OF THE SERIAL NUMBER MUST MATCH WITH THE LAST DIGIT OF THE FACTOR MODEL BELOW.

FACTORY MODEL 46560,465S0, 46760,467S0

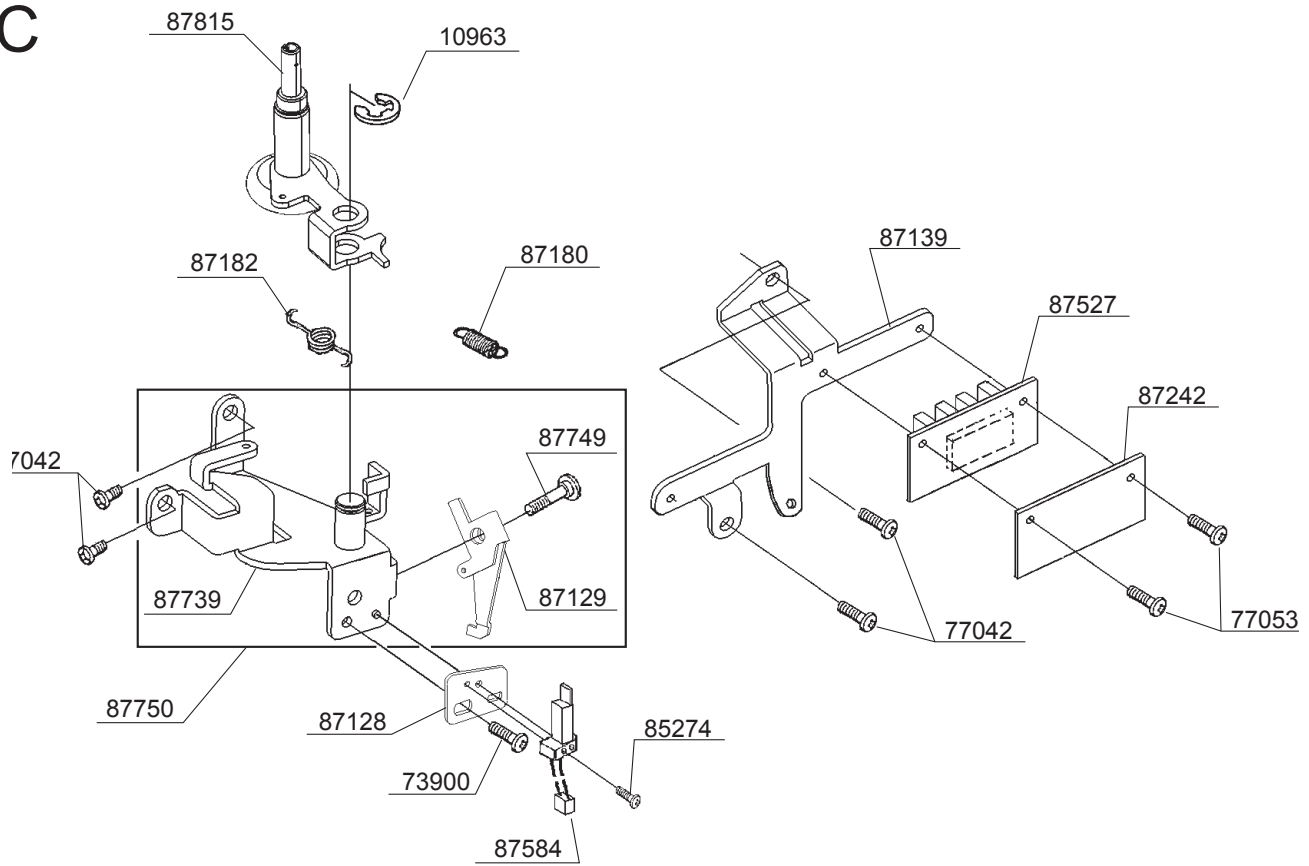
A



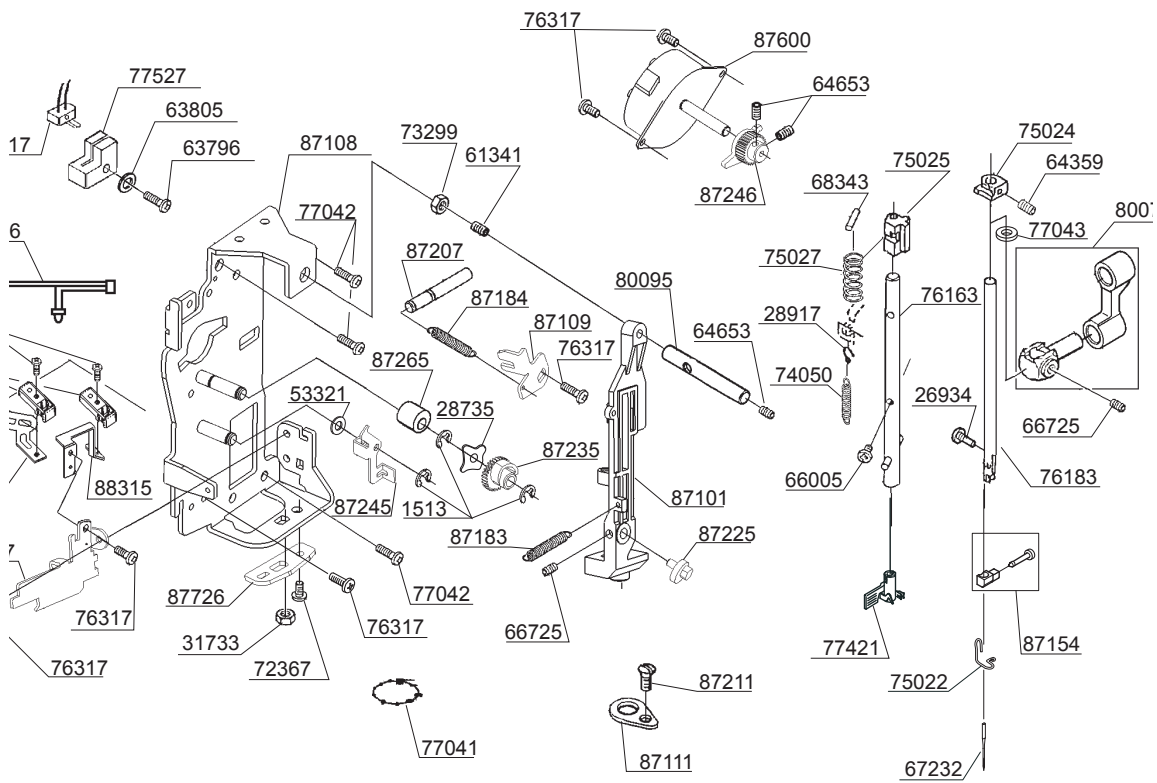
B



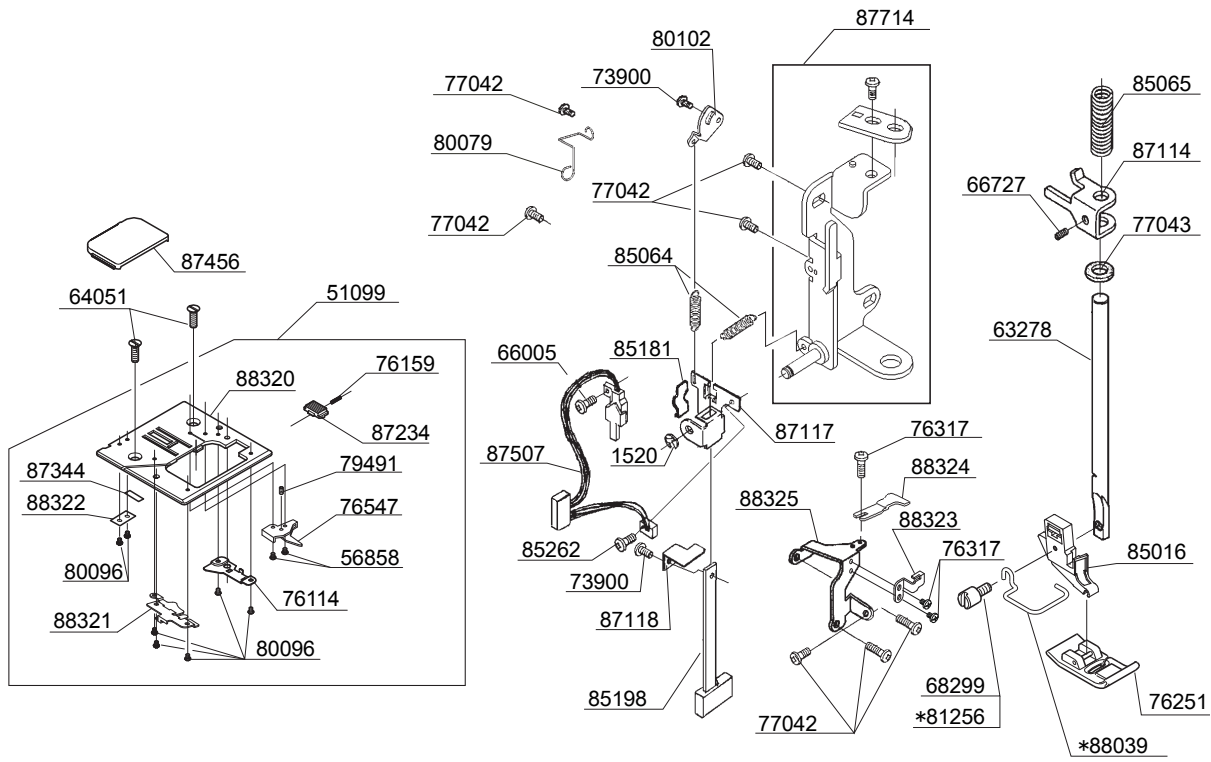
C



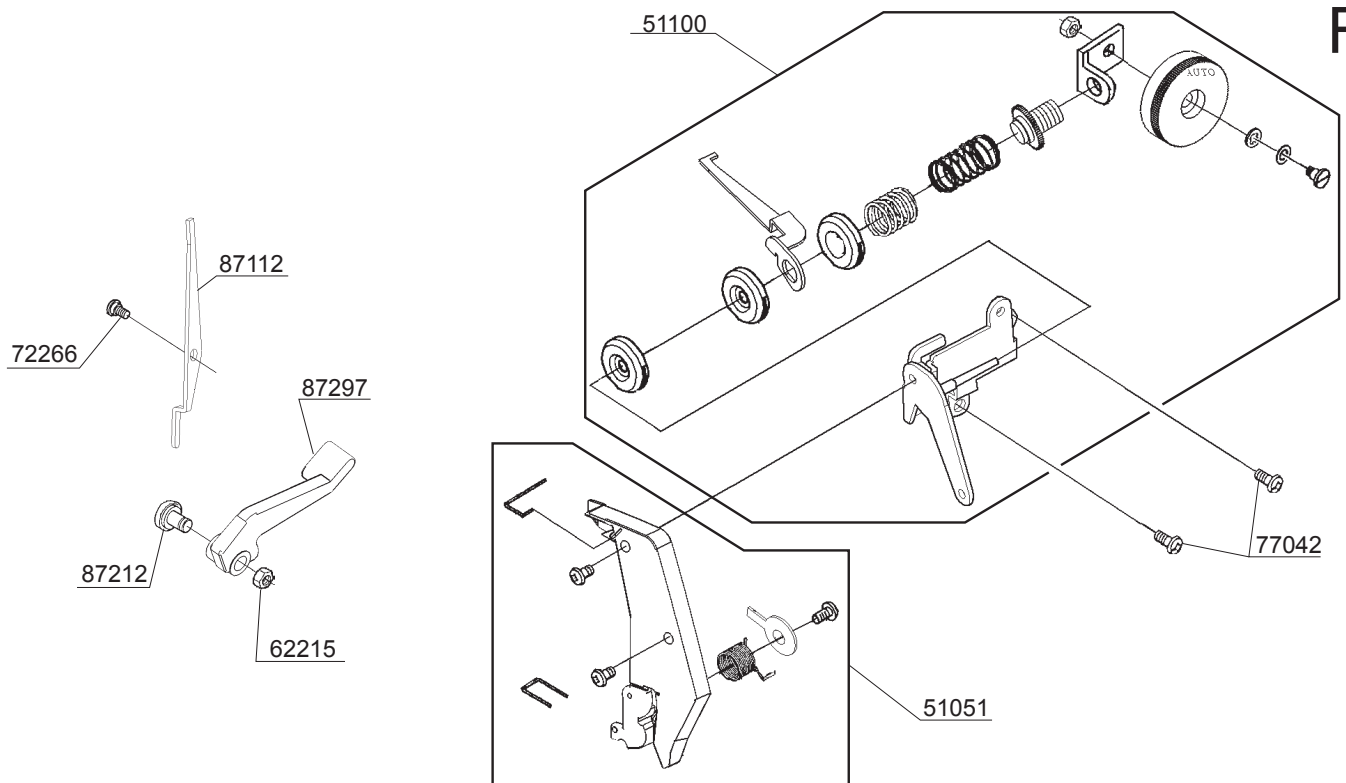
D



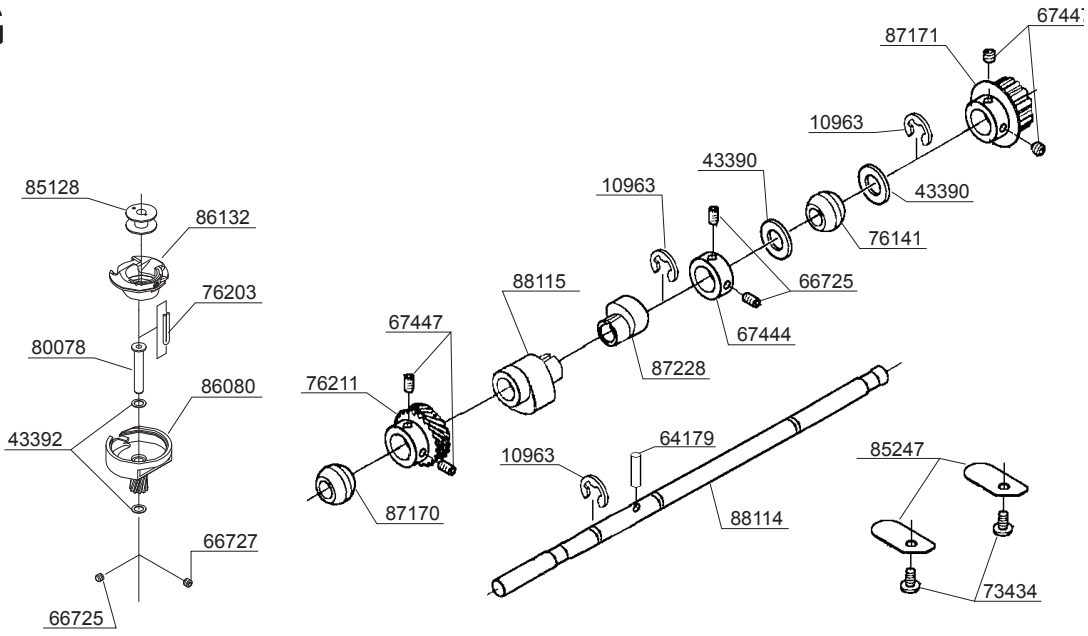
E



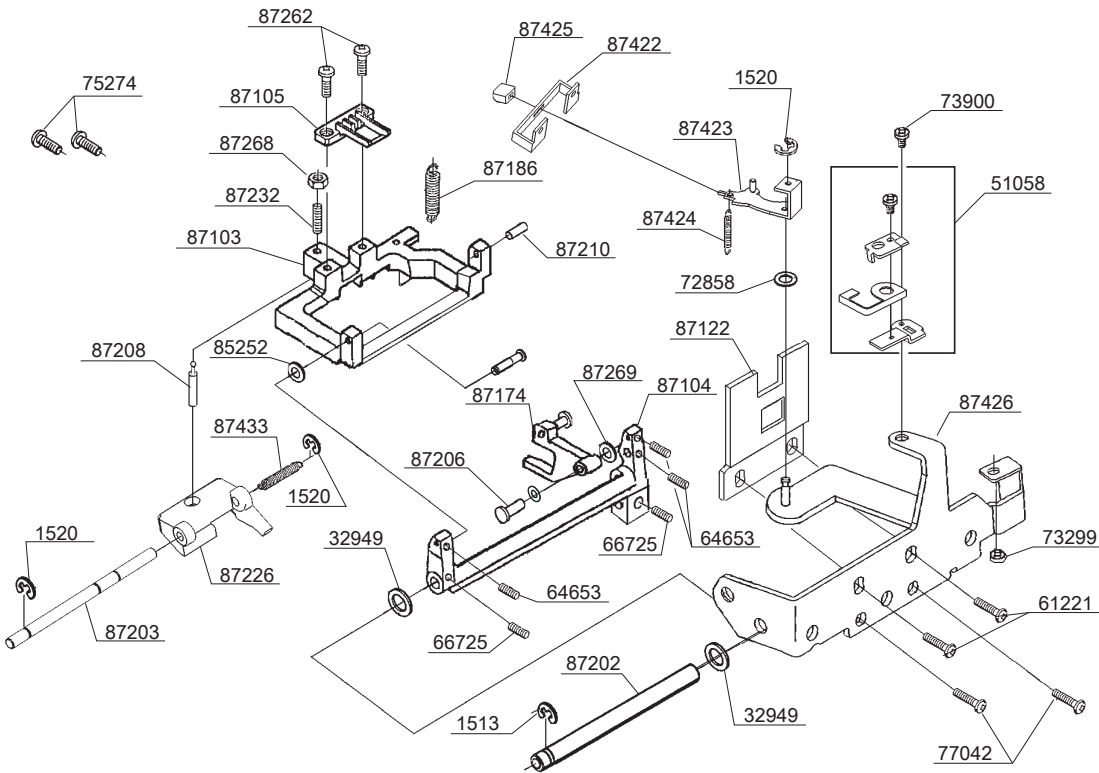
F



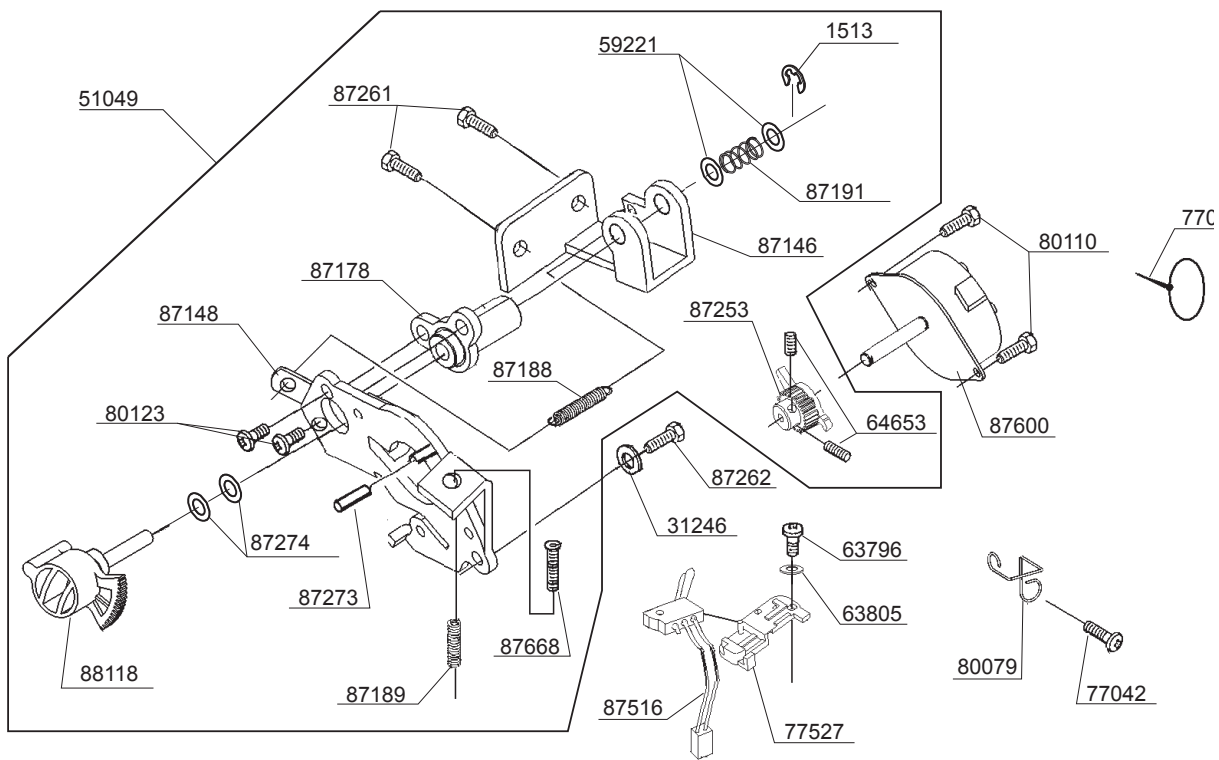
G



H

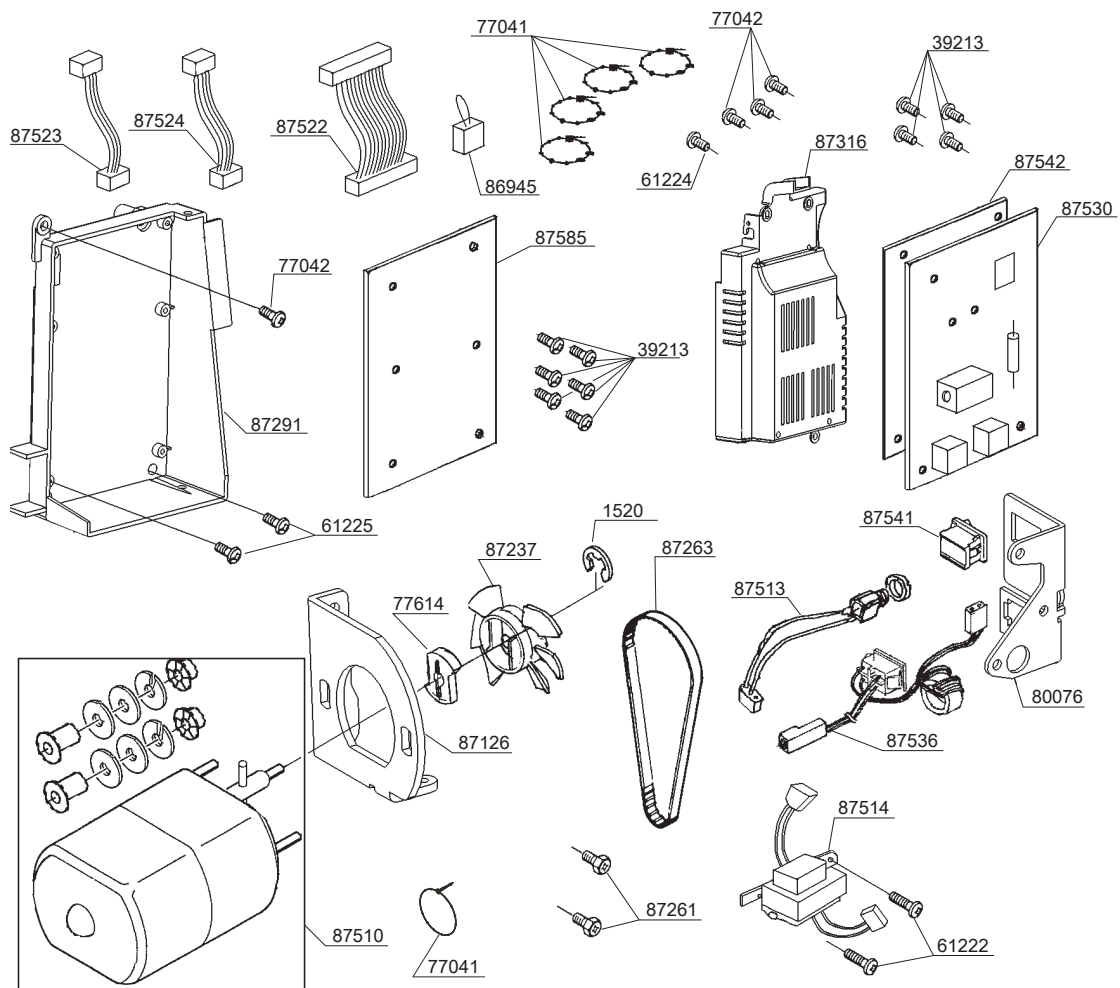


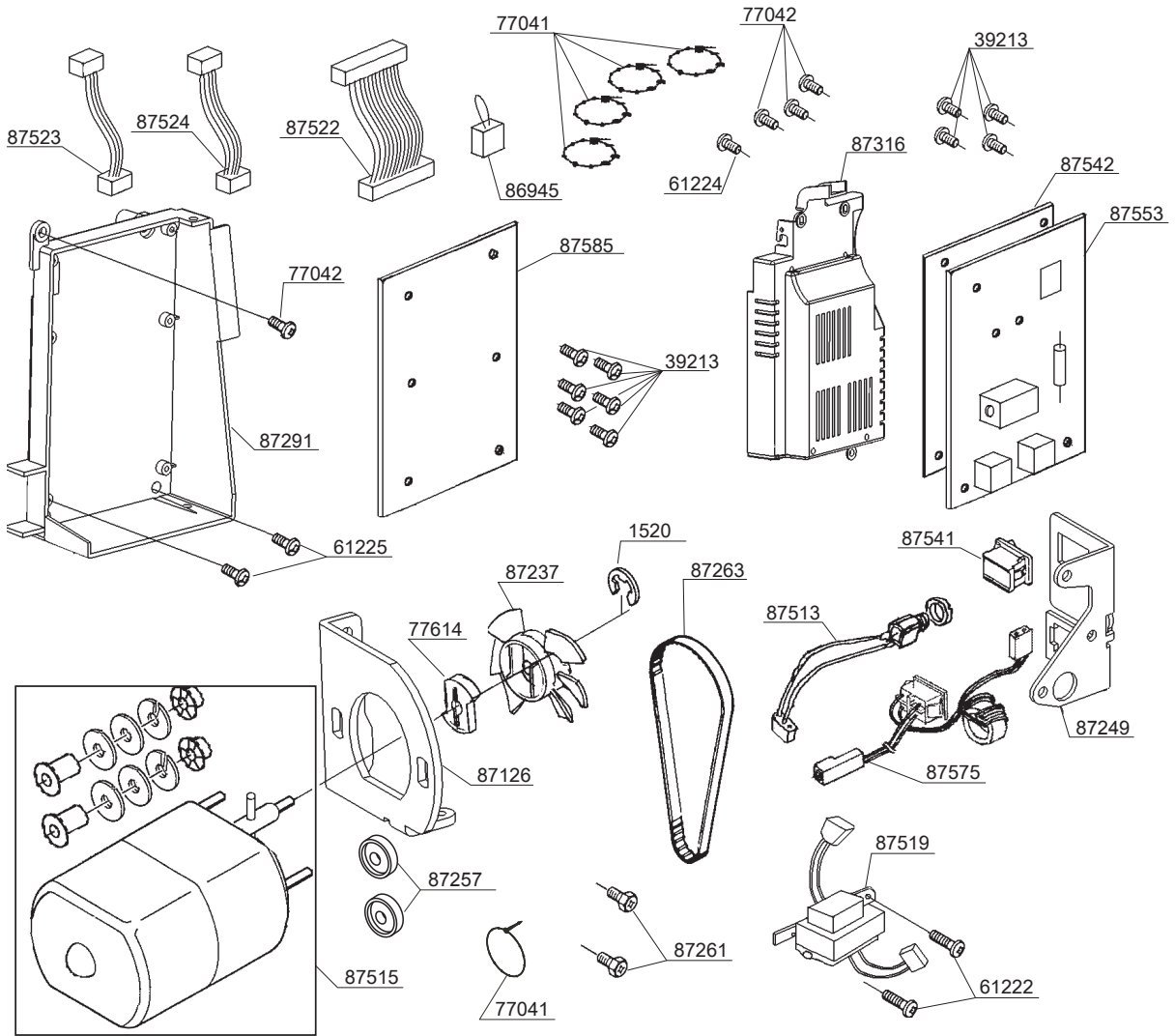
J

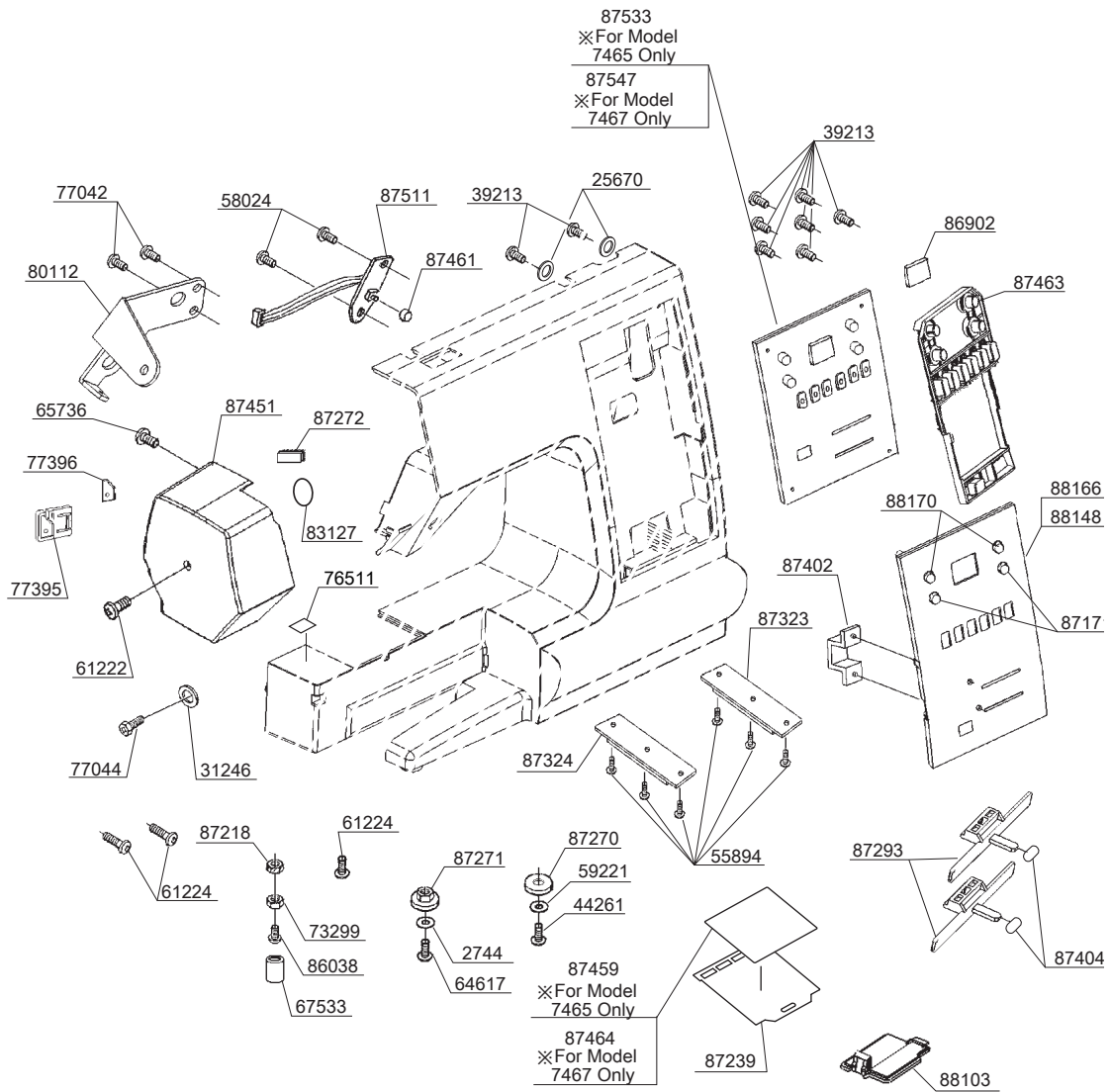


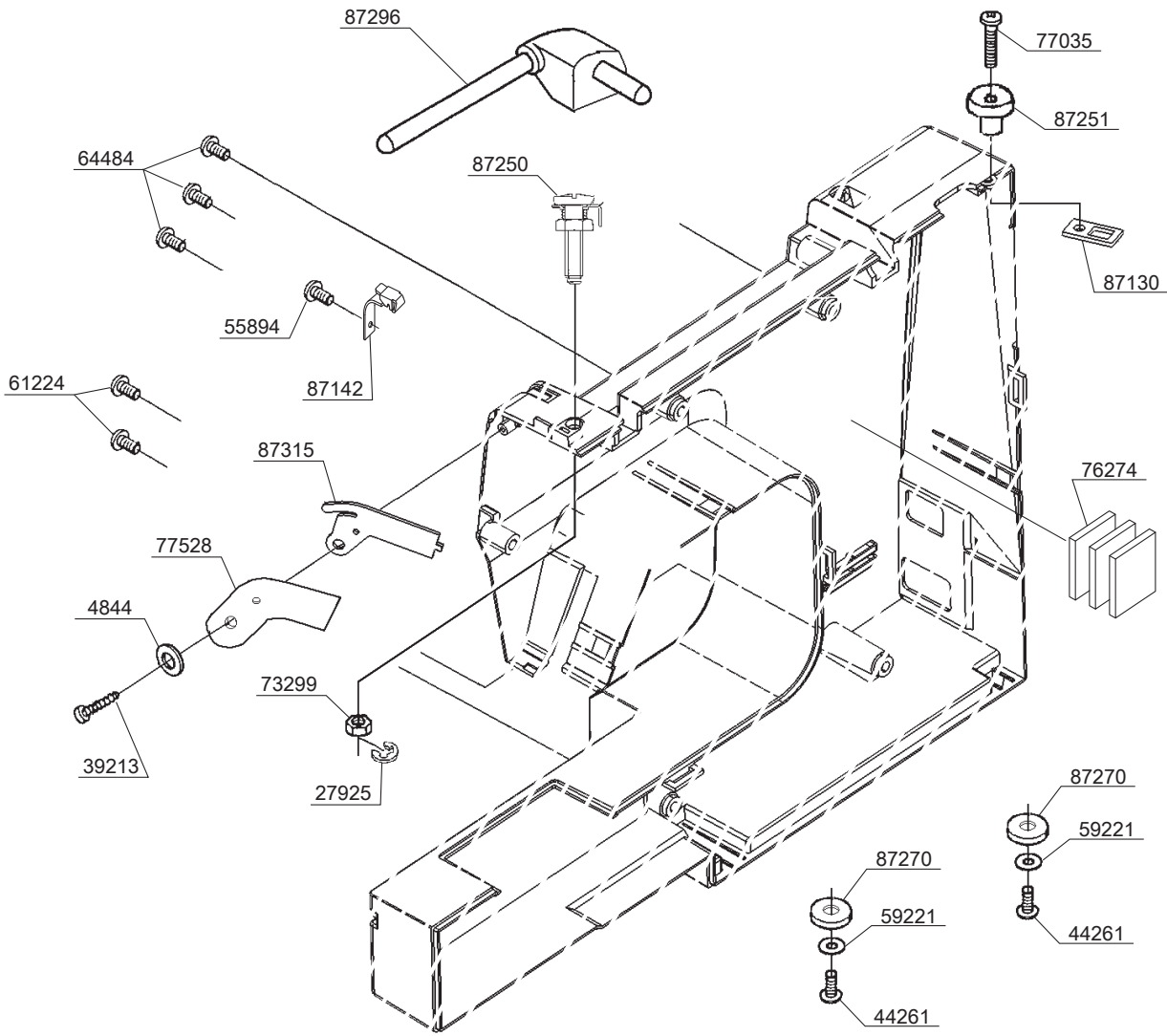
120 Volt

K

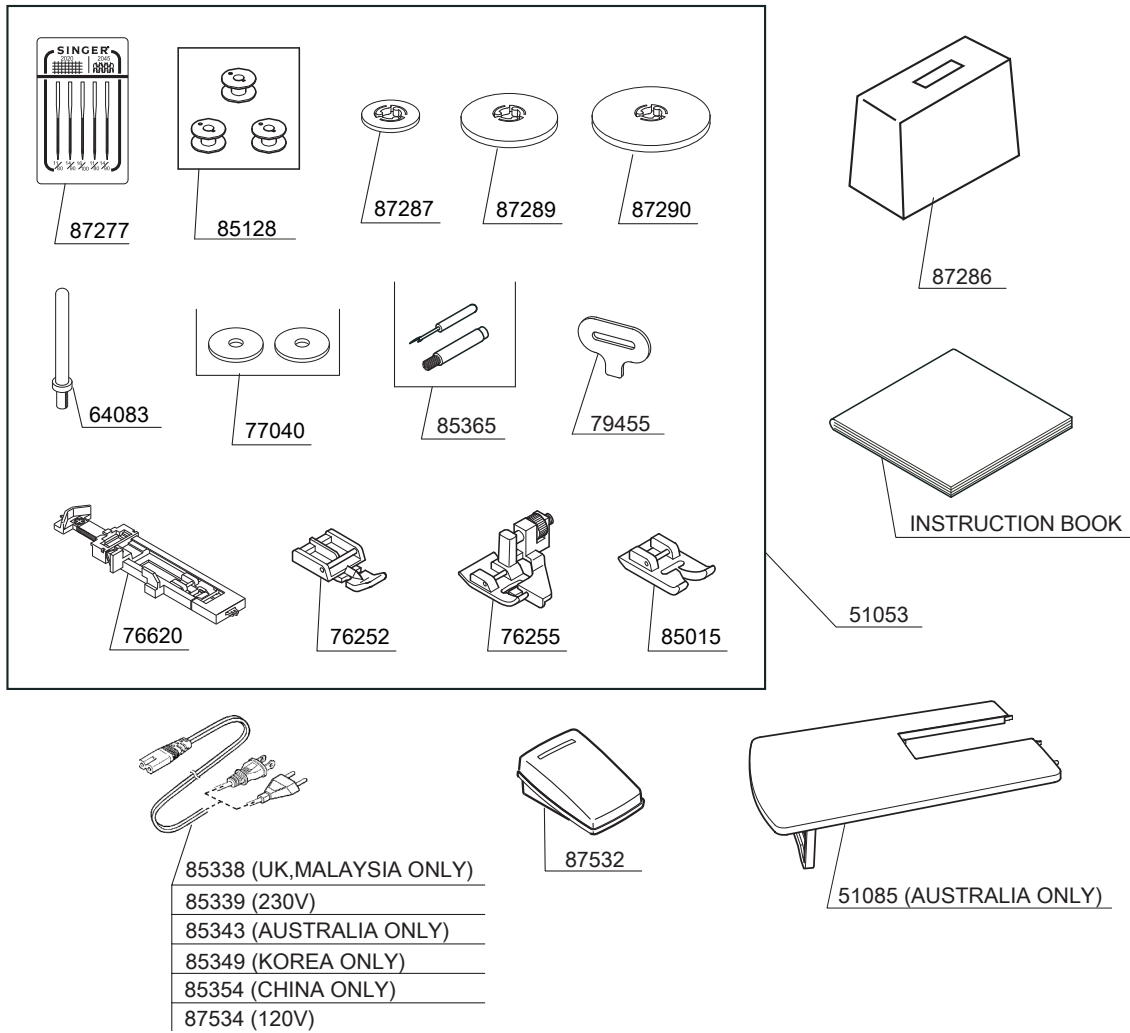








O



PART NO.	DESCRIPTION
51053	ACCESSORY SET
51085	EXTENSION TABLE
64083	SPOOL PIN
76252	ZIPPER FOOT
76255	BLIND STITCH FOOT
76620	BUTTONHOLE FOOT
77040	SPOOL PIN DISC
79455	LARGE SCREW DRIVER
82096	INSTRUCTION BOOK (Eng/Fre/Spa) 7467 ONLY
82097	INSTRUCTION BOOK (Ita/Dut/Ger)
82101	INSTRUCTION BOOK (Dan/Swe/Nor/Fin)
82103	INSTRUCTION BOOK (Eng/Fre/Spa) 7465 ONLY
82109	INSTRUCTION BOOK (Russ)
85015	SATIN FOOT
85128	BOBBIN
85338	POWER CORD (UK ONLY)
85339	POWER CORD (230V)
85343	POWER CORD (AUSTRALIA ONLY)
85354	POWER CORD (CHINA ONLY)
85365	BUTTONHOLE OPENER / BRUSH
87277	NEEDLE SET
87286	VINYL COVER
87287	SPOOL PIN CAP (MINI)
87289	SPOOL PIN CAP (SMALL)
87290	SPOOL PIN CAP (LARGE)
87532	FOOT CONTROL (PIN-JACK TYPE)
87534	POWER CORD (120V)
87601	POWER CORD (BRAZIL ONLY)

PART NO.	DESCRIPTION	PAGE	PART NO.	DESCRIPTION	PAGE
1513	E4 CLIP-ON-WASHER	A,D,H,J	73299	M4 TORQUE NUT	D,H,M,N
1520	E3 CLIP-ON-WASHER	E,H,K,L	73371	M6 SCREW	B
2744	WASHER	M	73434	M4 PHILIPS SCREW	B,G
4844	WASHER	N	73472	COLLAR	B
10963	E6 CLIP-ON-WASHER	B,C,G	73900	M3 PHILIPS SCREW	C,E,H
25670	WASHER	M	74050	EXTENSION SPRING	D
26934	#8 SCREW	D	75022	THREAD GUIDE	D
27925	E2.5 CLIP-ON-WASHER	N	75024	STOPPER	D
28735	CRINKLE WASHER	D	75025	GUIDE BLOCK	D
28917	HOOK FOR SPRING	D	75027	COMPRESSION SPRING	D
31246	WASHER	J	75047	CLUTCH	B
31249	WASHER	M	75060	TAKE-UP LEVER CRANK	B
31733	M3 NUT	D	75194	TORSION SPRING	B
32949	WASHER	H	75207	CS-CLIP	B
39213	M3 SCREW	K,L,M,N	75274	M4 PHILIPS SCREW	B,H
43389	THRUST WASHER	B	76114	COVER GUIDE (R)	E
43390	THRUST WASHER	G	76132	SHAFT	H
43392	THRUST WASHER	G	76141	BALL METAL	G
43930	SPRING PIN	B	76159	COMPRESSION LEVER	E
44066	SPRING PIN	B	76163	THREADER SHAFT SET	D
44261	M4 SCREW	M,N	76183	NEEDLE BAR	D
51049	FEED REGULATOR UNIT	J	76203	OILING CORD	G
51051	TENSION ASSY	F	76211	BEVEL GEAR	G
51053	ACCESSORY SET	O	76251	ZIGZAG PRESSER FOOT	E
51058	RETAINER SET	H	76252	ZIPPER FOOT	O
51085	EXTENSION TABLE	O	76255	BLIND STITCH FOOT	O
51099	NEEDLE PLATE SET	E	76274	SPACER	N
51100	THREAD GUIDE PLATE ASSY	F	76317	M3 PHILLIPS SCREW	D,E
53321	THRUST WASHER	D	76366	CRANK SHAFT	B
53403	WASHER	B	76511	SEAL	M
55894	M3 SCREW	M	76547	THREAD CONTROL PLATE	E
55894	TAPPING SCREW	N	76620	BUTTONHOLE FOOT	O
56858	M2 PHILIPS SCREW	E	76688	SHAFT	B
58024	TAPPING SCREW	M	77035	M4 PHILIPS SCREW	B,N
59221	WASHER	J,M,N	77040	SPOOL PIN DISC	O
61221	M4 PHILIPS SCREW	H	77041	UNITY FASTENER	D,J,K,L
61222	M4 PHILIPS SCREW	K,L,M	77042	M4 PHILIPS SCREW	A,C,D,E,F,H,J,K,M
61224	M4 PHILIPS SCREW	B,K,L,M,N	77043	FELT	D,E
61225	M4 PHILIPS SCREW	K,L	77044	M3 PHILLIPS SCREW	M
61341	M4 SCREW	D	77053	M3 PHILIPS SCREW	C
62215	M4 NUT	F	77057	M3 PHILIPS SCREW	D
63278	PRESSER BAR	E	77395	BLADE FIXTURE	M
63796	M3 SCREW	D,J	77396	BLADE	M
63805	WASHER	D,J	77421	THREADER ASSEMBLY	D
64051	M4 SCREW	E	77527	SENSOR COVER	D,J
64083	SPOOL PIN	O	77528	SPRING PLATE	N
64179	SPRING PIN	G	77614	GEAR CLUTCH	K,L
64359	M4 SCREW	D	79455	LARGE SCREW DRIVER	O
64484	TAPPING SCREW	N	79491	SCREW	E
64617	TAPPING SCREW	M	80070	CORD GUIDE	A
64653	M3 SCREW	D,H	80073	NEEDLE BAR CRANK SET	D
64653	M3 SCREW	J	80076	SWITCH BRACKET	K
65736	M4 PHILLIPS SCREW	M	80078	SHUTTLE RACE SHAFT	G
66005	M2 PHILLIPS SCREW	D,E	80079	CORD GUIDE	E,J
66235	SECURING PLATE	B	80095	STRAIGHT PIN	D
66437	BUSH	B	80096	M2 PHILIPS SCREW	E
66725	M4 SCREW	B,D,G,H,	80102	CONTROL PLATE	E
66727	M4 SCREW	B,E,G,	80110	M3 PHILLIPS SCREW	J
66787	WASHER	B	80112	FACE COVER BRACKET	M
67232	NEEDLE	D	80123	M3 PHILLIPS SCREW	J
67444	COLLAR	G	81256	#7 SCREW FOR SHANK (ITALY ONLY)	E
67447	M5 SCREW	B,G	82096	INSTRUCTION BOOK (Eng/Fre/Spa)	
67533	RUBBER CUSHION	M		7467 ONLY	O
68152	BALL BUSH	B	82097	INSTRUCTION BOOK (Ita/Dut/Ger)	O
68299	#7 SCREW FOR SHANK	E	82101	INSTRUCTION BOOK (Dan/Swe/Nor/Fin)	O
68343	PIN	D	82103	INSTRUCTION BOOK (Eng/Fre/Spa)	
72266	M4 STUD SCREW	F		7465 ONLY	O
72367	M4 CP SCREW	D	82109	INSTRUCTION BOOK (Russ)	O
72858	WASHER	H	83127	SEAL	M

PART NO.	DESCRIPTION	PAGE	PART NO.	DESCRIPTION	PAGE
85013	POSITIONING COLLAR	B	87207	STRAIGHT PIN	D
85015	SATIN FOOT	O	87208	BALL HEADED PIN	H
85016	PRESSER FOOT HOLDER	E	87210	PIN	H
85017	BALANCER	B	87211	M3 SCREW	D
85046	COLLAR	B	87212	M4 SCREW	F
85064	EXTENSION SPRING	E	87216	PIN	A
85065	COMPRESSION SPRING	E	87218	NUT	M
85128	BOBBIN	G,O	87220	BELT PULLEY	B
85138	TENSION ROLLER	B	87221	UPPER TIMING BELT GEAR	B
85181	LEAF SPRING	E	87225	ECCENTRIC CAM	D
85198	BH PLATE (A)	E	87226	VERTICAL FEED BLOCK	H
85217	RETAINER	B	87228	FEED CAM	G
85247	SECURING PLATE	G	87232	M6 STUD SCREW	H
85252	WASHER	H	87234	RELEASE LEVER	E
85262	M2 SCREW	E	87235	ZIGZAG CAM WITH GEAR	D
85274	M2 SCREW	C	87237	MOTOR FAN	K,L
85338	POWER CORD (UK ONLY)	O	87239	PATTERN DRAWER	M
85339	POWER CORD (230V)	O	87241	ENCODER	B
85343	P CORD (AUSTRALIA ONLY)	O	87242	INSULATION SHEET	C
85354	POWER CORD (CHINA ONLY)	O	87245	BELL CLANK FOR ZIGZAG	D
85365	BUTTONHOLE OPENER / BRUSH	O	87246	PINION GEAR	D
86038	STUD SCREW	M	87249	SWITCH BRACKET	L
86080	SHUTTLE RACE	G	87250	M4 SPECIAL SCREW UNIT	N
86132	BOBBIN CASE	G	87251	BOBBIN WINDER CAM	N
86902	INDICATOR WINDOW	M	87253	PINION GEAR	J
86945	JUMPER HARNESS	K,L	87257	BUSH	L
87101	NEEDLE BAR SUPPORT	D	87261	CP BOLT	J,K,L
87103	FEED DOG BASE	H	87262	M3 CP SCREW	H,J
87104	FEED DOG BASE SUPPORT	H	87263	DRIVING BELT	K,L
87105	FEED DOG	H	87264	TIMING BELT	B
87108	NEEDLE BAR SUPPORT BRACKET	D	87265	SPACER	D
87109	SECURING PLATE	D	87268	M6 NUT	H
87111	NEEDLE BAR SWING BRACKET	D	87269	WASHER	H
87112	TENSION RELEASE LEVER	F	87270	RUBBER FOOT	M
87114	PRESSURE BAR GUIDE	E	87270	RUBBER FOOT	N
87117	BH PLATE (B)	E	87271	RUBBER FOOT	M
87118	BH PLATE (C)	E	87272	BRUSH	M
87122	SUPPORT PLATE	H	87273	PIN	J
87125	IDLER PULLEY BRACKET	B	87274	WASHER	J
87126	MAIN MOTOR BRACKET	K,L	87277	NEEDLE SET	O
87128	MOUNTING BRACKET	C	87286	VINYL COVER	O
87129	RETAINER	C	87287	SPOOL PIN CAP (MINI)	O
87130	RETAINER	N	87288	PULLEY CAP	B
87133	BRACKET	A	87289	SPOOL PIN CAP (SMALL)	O
87134	TAKE-UP LEVER	B	87290	SPOOL PIN CAP (LARGE)	O
87139	MOUNTING BRACKET	C	87291	CPU CIRCUIT BOARD BOX	K,L
87142	RETAINER	N	87293	SLIDE LEVER	M
87146	BRACKET	J	87296	SPOOL PIN UNIT	N
87148	STEPPING MOTOR BRACKET	J	87297	PRESSURE BAR LIFTER	F
87154	NEEDLE CLAMP SET	D	87299	PULLEY	B
87156	BRACKET	A	87305	HANDLE	A
87170	BALL METAL	G	87315	TENSION PLATE	N
87171	TIMING BELT GEAR (LOWER)	G	87316	AC CIRCUIT BOARD BOX	K,L
87174	FORKED CRANK	H	87323	DRAWER BRACKET (RIGHT)	M
87178	FEED REGULATOR SHAFT METAL BUSH	J	87324	DRAWER BRACKET (LEFT)	M
87180	EXTENSION SPRING	C	87344	BLADE	E
87182	TORSION SPRING	C	87402	LED PANEL	M
87183	SPRING	D	87404	KNOB	M
87184	SPRING	D	87422	DROP GUIDE	H
87186	TORSION SPRING	H	87423	DROP LEVER	H
87188	EXTENSION SPRING	J	87424	TORSION SPRING	H
87189	COMPRESSION SPRING	J	87425	DROP KNOB	H
87191	COMPRESSION SPRING	J	87426	SECURING BRACKET	H
87193	HANDLE BRACKET (L)	A	87433	TORSION SPRING	H
87194	HANDLE BRACKET (R)	A	87446	ACC. BOX	A
87200	MAIN SHAFT	B	87451	FACE COVER	M
87202	SHAFT	H	87456	NEEDLE COVER PLATE	E
87203	SHAFT	H	87459	PATTERN SEAL (FOR MODEL 7465 ONLY)	M
87206	PIN	H	87461	BUTTON	M

PART NO.	DESCRIPTION	PAGE	
87463	PATTERN SWITCH	M	
87464	PATTERN SEAL (FOR MODEL 7467 ONLY)	M	
87507	BH SWITCH HARNESS	E	
87510	MAIN MOTOR	K	
87511	SWITCH HARNESS	M	
87513	PIN-JACK HARNESS	K,L	
87514	TRANSFORMER	K	
87515	MAIN MOTOR	L	
87516	SWITCH HARNESS	J	
87517	SWITCH HARNESS FOR ZIGZAG	D	
87519	TRANSFORMER	L	
87522	13P CORD HARNESS	K,L	
87523	4P CORD HARNESS	K,L	
87524	5P CORD HARNESS	K,L	
87527	PHOTO SENSOR CIRCUIT BOARD	C	
87529	4P CORD HARNESS	K,L	
87530	CIRCUIT BOARD	K	
87532	FOOT CONTROL (PIN-JACK TYPE)	O	
87533	SWITCH CIRCUIT BOARD (FOR MODEL 7465 ONLY)	M	
87534	POWER CORD (120V)	O	
87536	INLET HARNESS	K	
87541	SWITCH	K,L	
87542	INSULATION SHEET	K,L	
87547	SWITCH CIRCUIT BOARD (FOR MODEL 7467 ONLY)	M	
87553	CIRCUIT BOARD	L	
87575	INLET HARNESS	L	
87584	SWITCH HARNESS	C	
87585	CPU CIRCUIT BOARD	K,L	
87600	STEPPING MOTOR	D,J	
87601	POWER CORD (BRAZIL ONLY)	O	
87626	LED LIGHT	D	
87668	M4 BOLT	J	
87714	PRESSURE BAR BRACKET SET	E	
87726	NEEDLE BAR ADJUSTING PLATE	D	
87739	BOBBIN WINDER BRACKET	C	
87749	M3 SHOULDER SCREW	C	
87750	BOBBIN WINDER BRACKET UNIT	C	
87815	BOBBIN WINDER UNIT	C	
88039	FINGER GUARD (ITALY ONLY)	E	
88103	COVER	M	
88114	LOWER STRAIGHT SHAFT	G	
88115	LIFTING CAM	G	
88118	FEED REGULATOR	J	
88148	CONTROL PANEL (FOR MODEL 7467 ONLY)	M	
88166	CONTROL PANEL (FOR MODEL 7465 ONLY)	M	
88170	BUTTON	M	
88171	BUTTON	M	
88311	TAKE-UP LEVER SHAFT BLOCK	B	
88314	LED LIGHT COVER	D	
88315	LED LIGHT COVER BRACKET	D	
88316	LED LIGHT COVER BRACKET	D	
88317	THREAD GUIDE PLATE	D	
88320	NEEDLE PLATE	E	
88321	COVER GUIDE (L)	E	
88322	BLADE PALTE	E	
88323	BRACKET	E	
88324	BOBBIN CASE STOPPER	E	
88325	BRACKET	E	