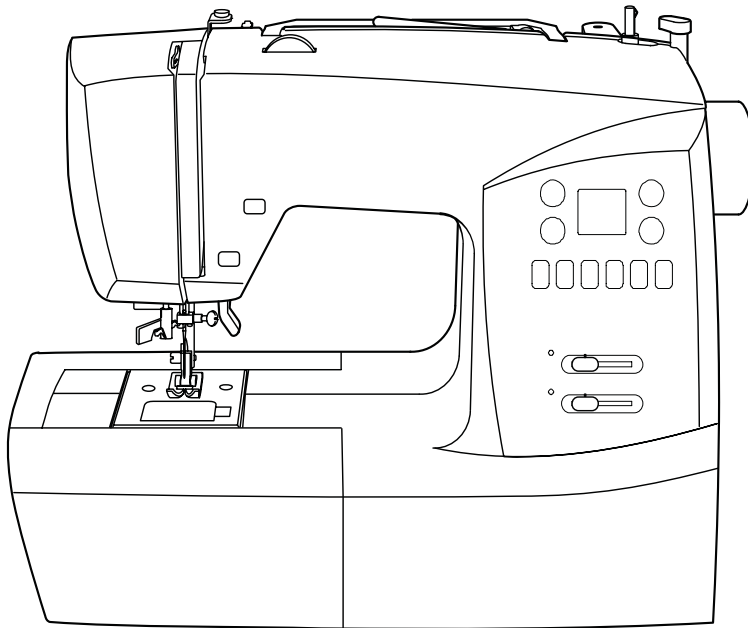
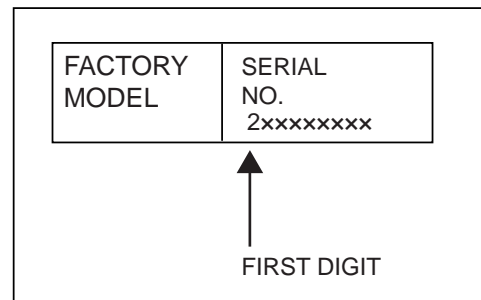
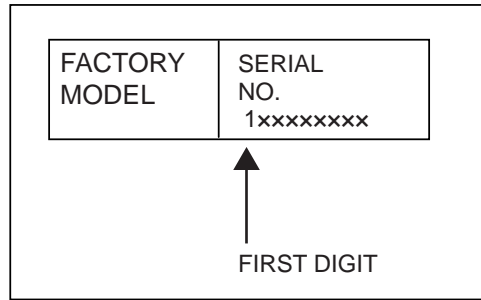
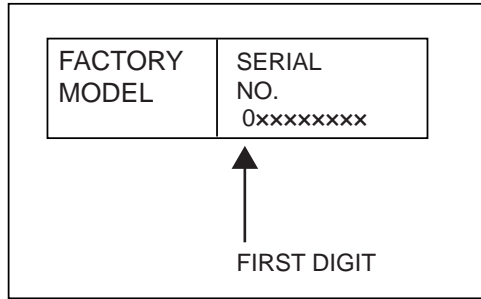




7424, 7426



Liste de pièces  
Lista de Piezas  
Parts List

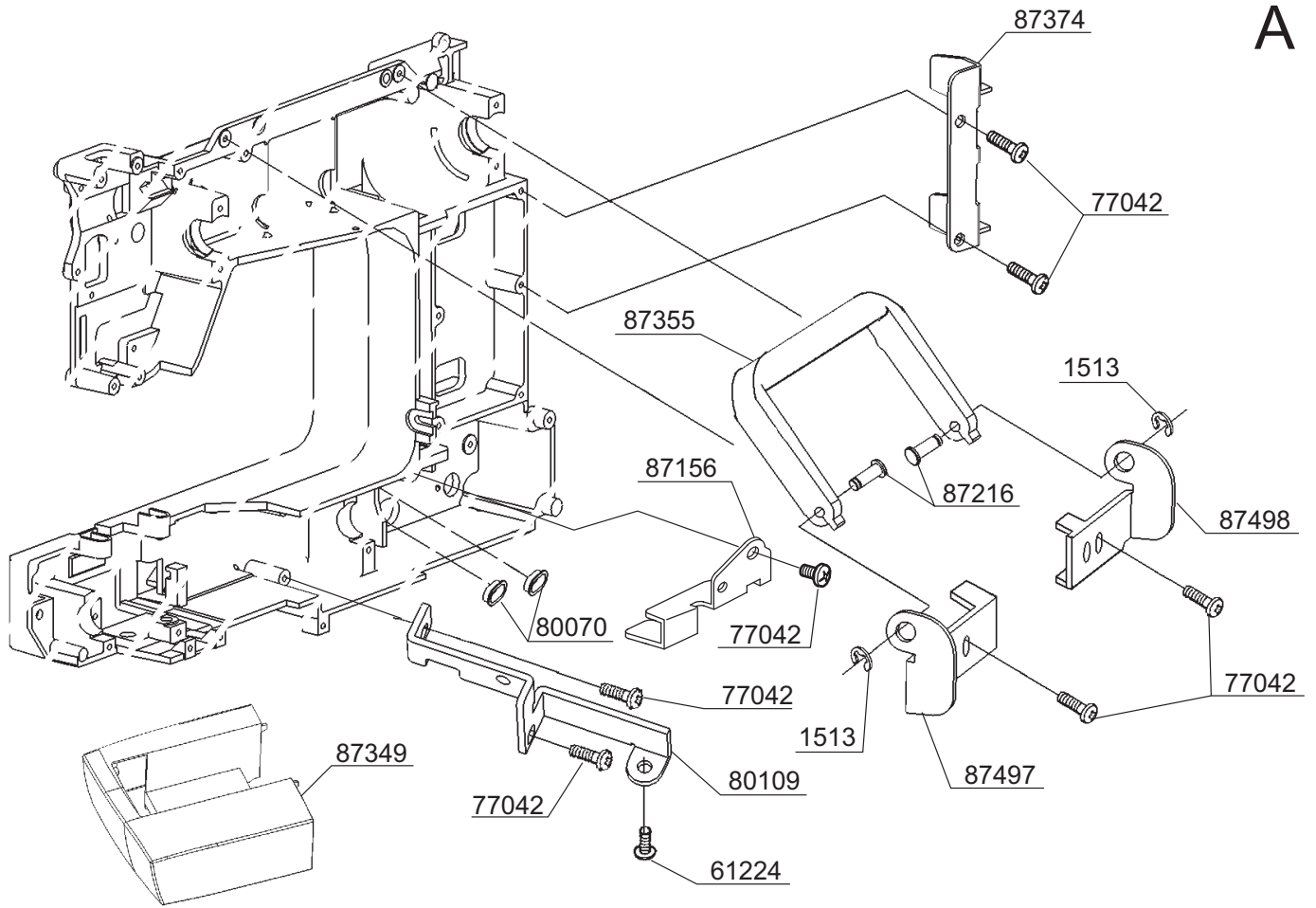
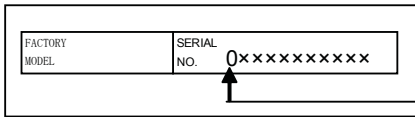


**IMPORTANT:**

WHEN ORDERING THE PARTS ALWAYS CHECK THE SERIAL NUMBER OF THE MACHINE.

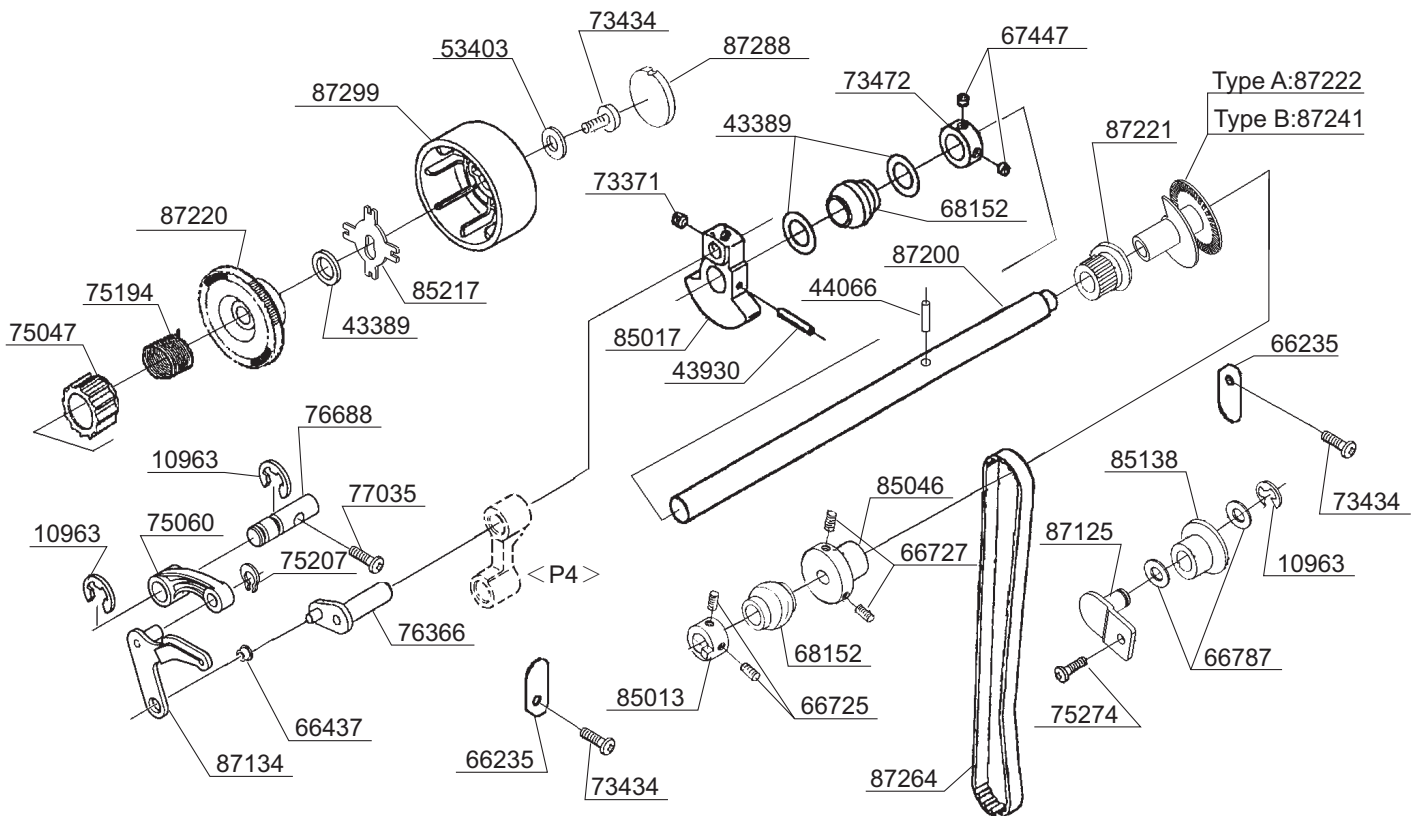
FIRST DIGIT OF THE SERIAL NUMBER MUST MATCH WITH THE LAST DIGIT OF THE FACTOR MODEL BELOW.

FACTORY MODEL 424x0, 424x1, 424x2, 426x0, 426x1, 426x2

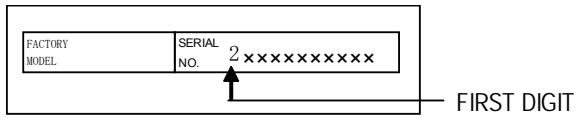
**A****B**

FIRST DIGIT  
0 or 1

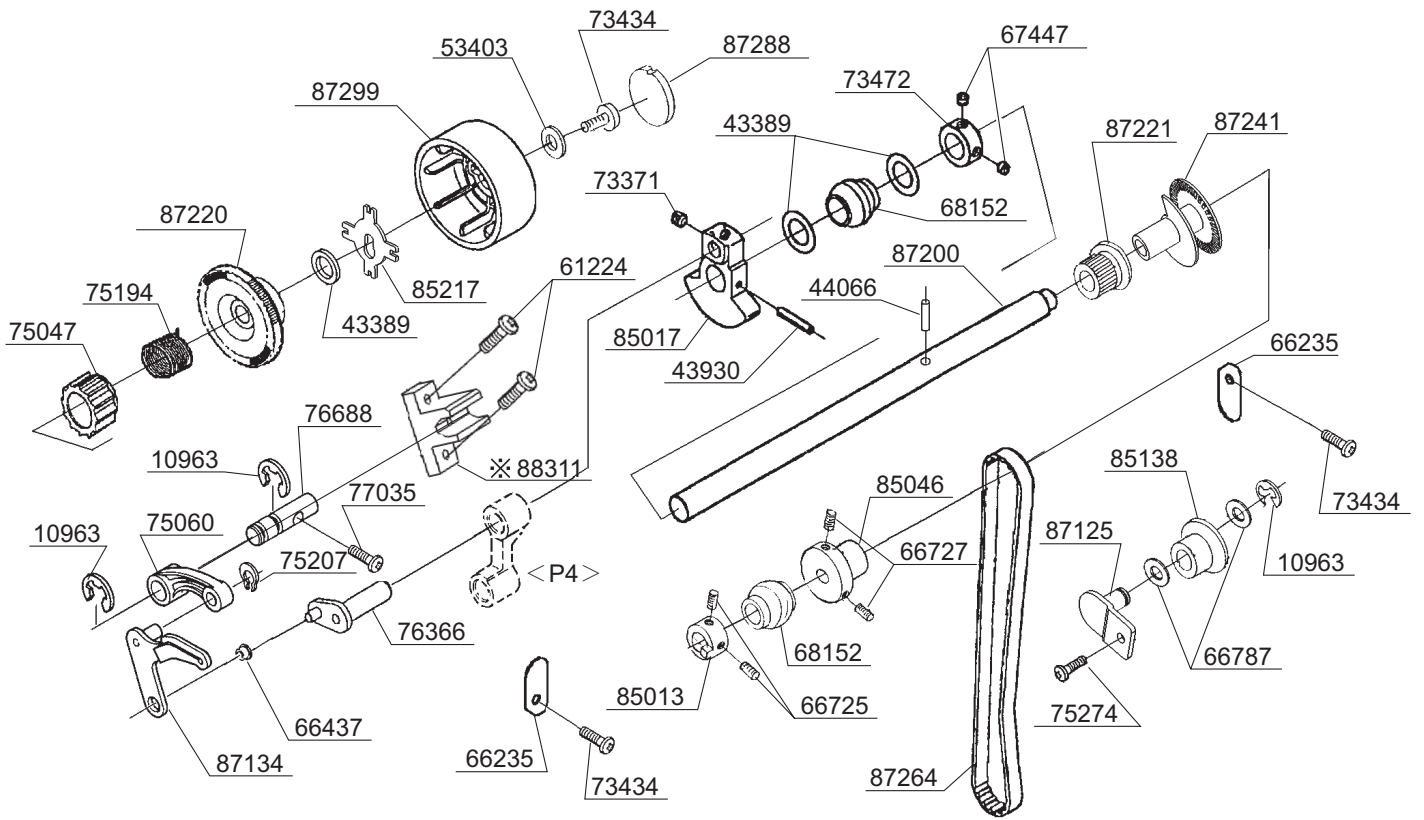
NOTE : PARTS NUMBER WITH × MARKS ARE FOR MACHINES SERIAL NUMBERS WITH "0"OR"1" AT FIRST DIGIT.



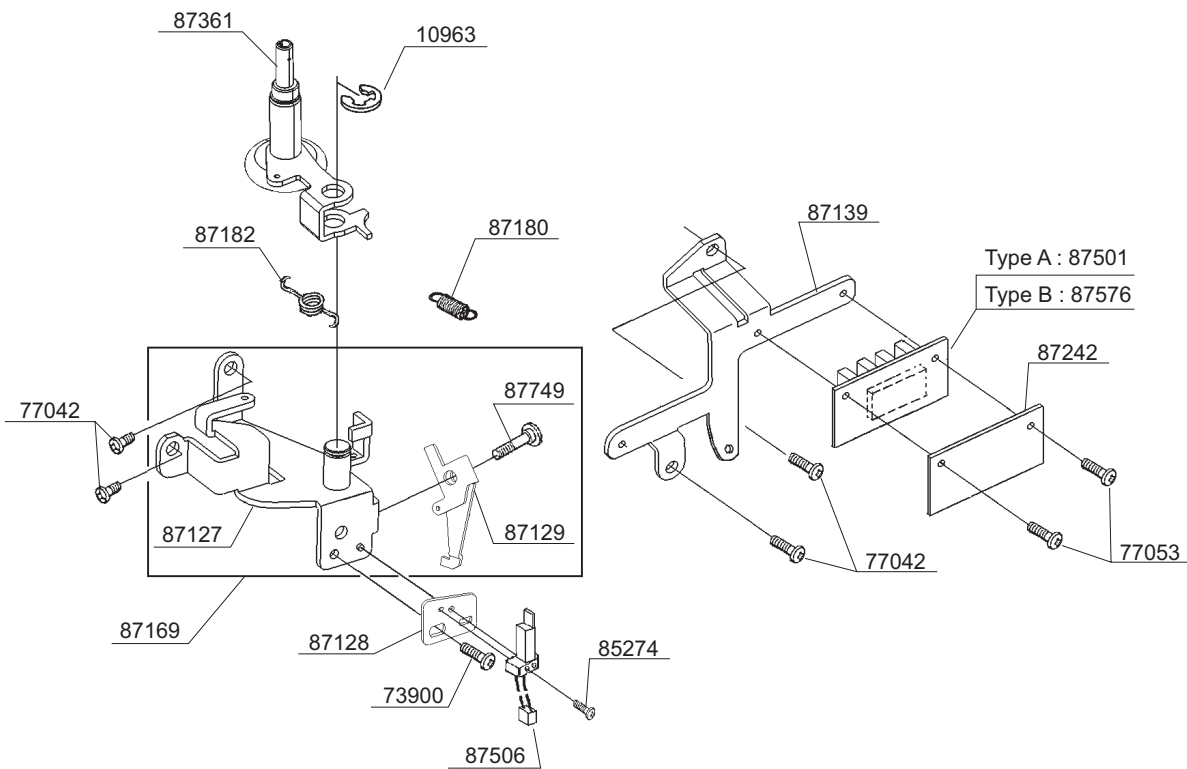
C

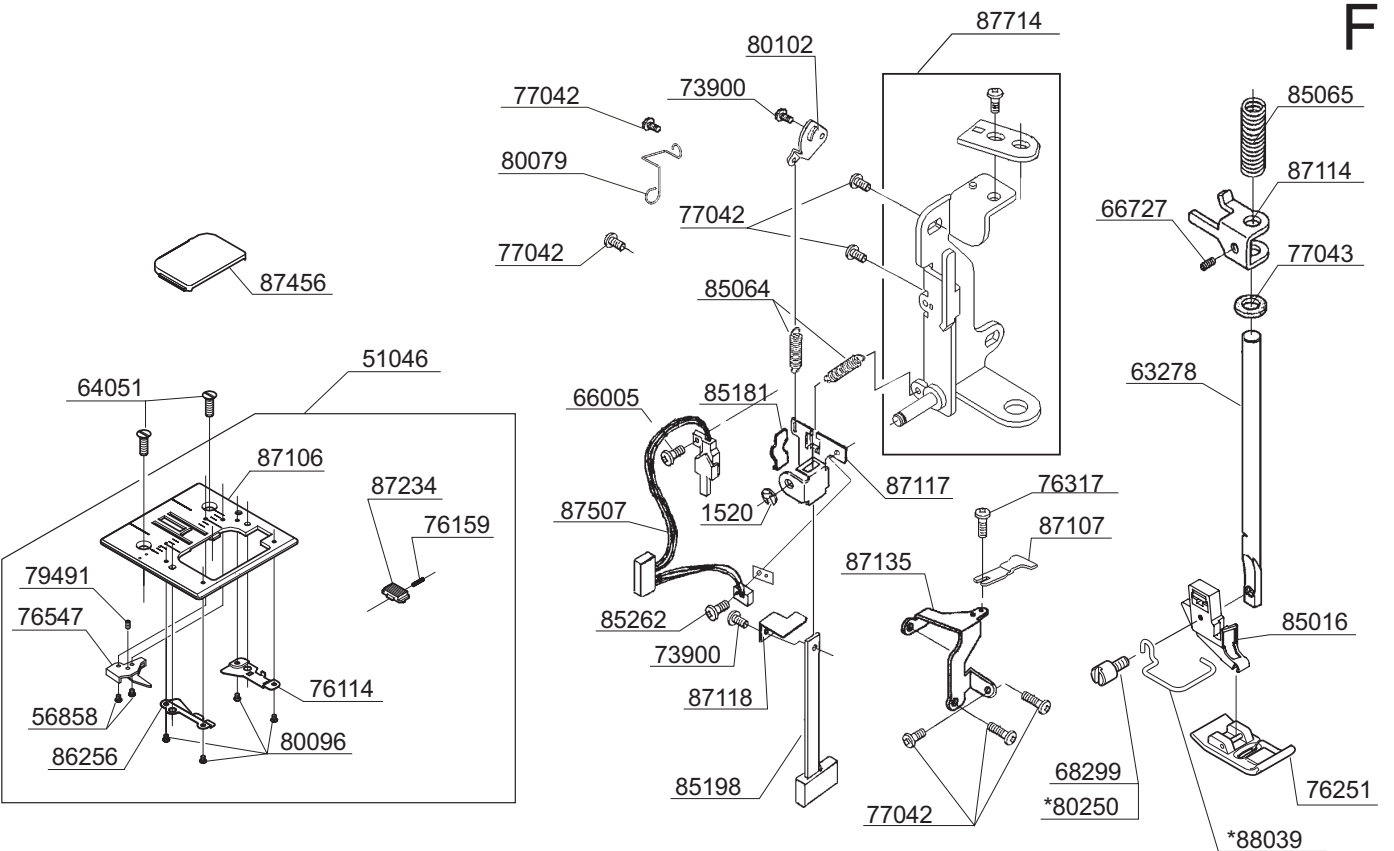
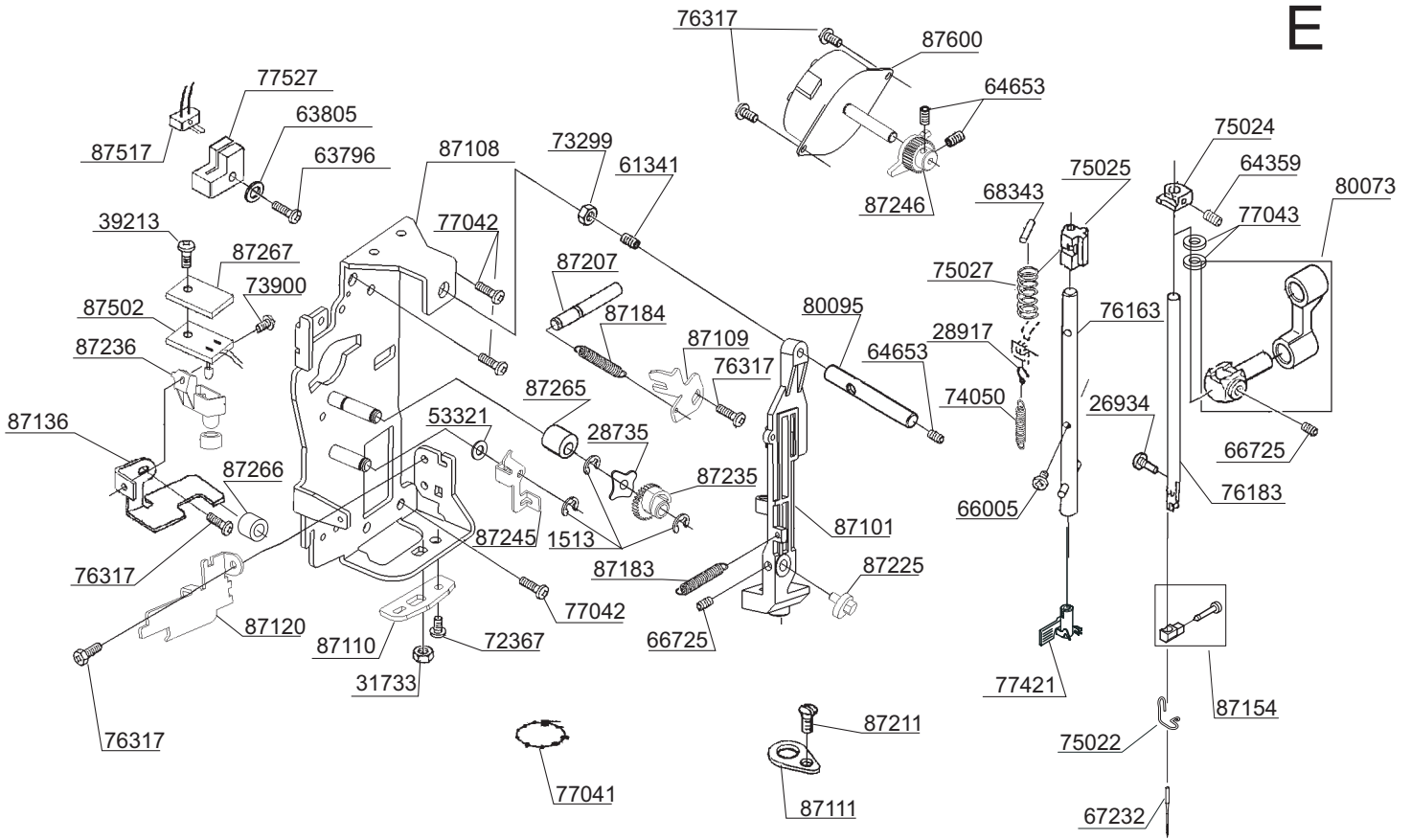


NOTE : PARTS NUMBER WITH ※ MARKS ARE FOR MACHINES SERIAL NUMBERS WITH "2" AT FIRST DIGIT.

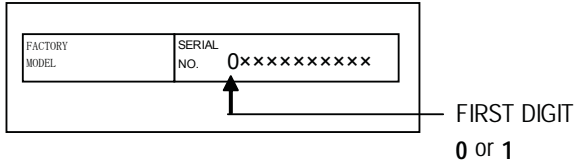


D

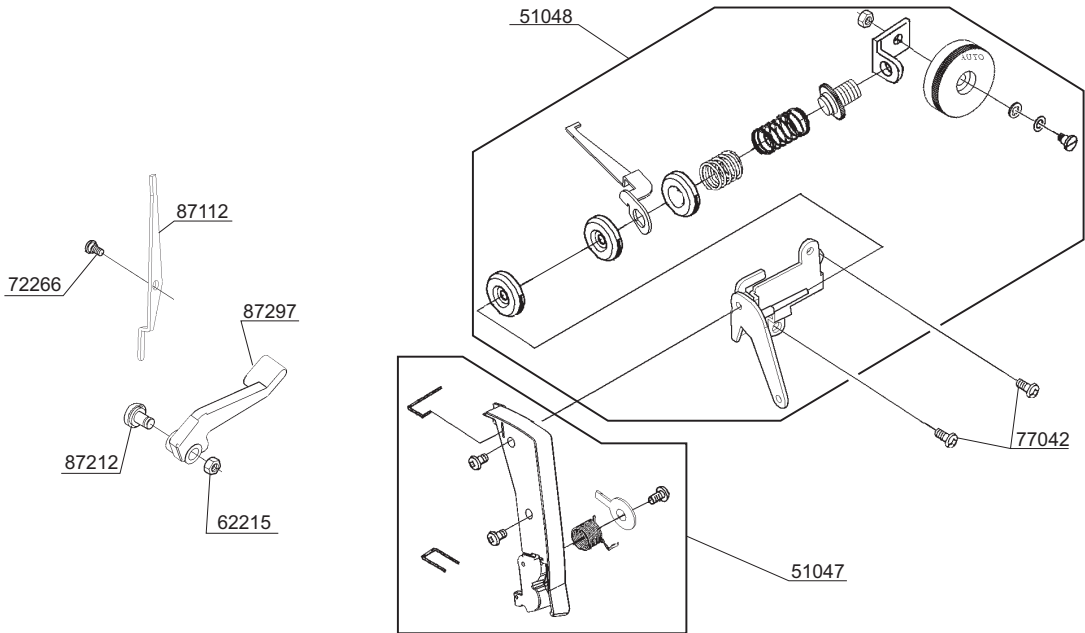




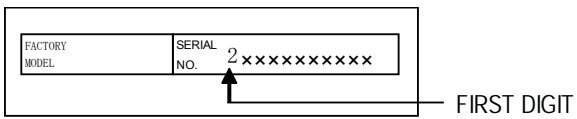
# G



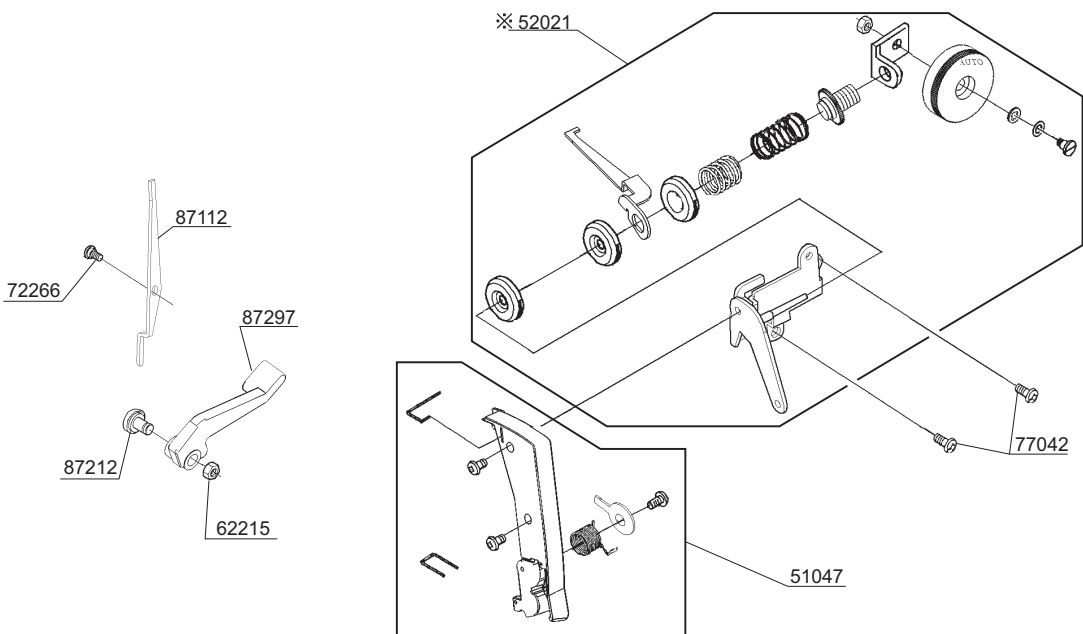
NOTE : PARTS NUMBER WITH ※ MARKS ARE FOR MACHINES SERIAL NUMBERS WITH "0"OR"1" AT FIRST DIGIT.

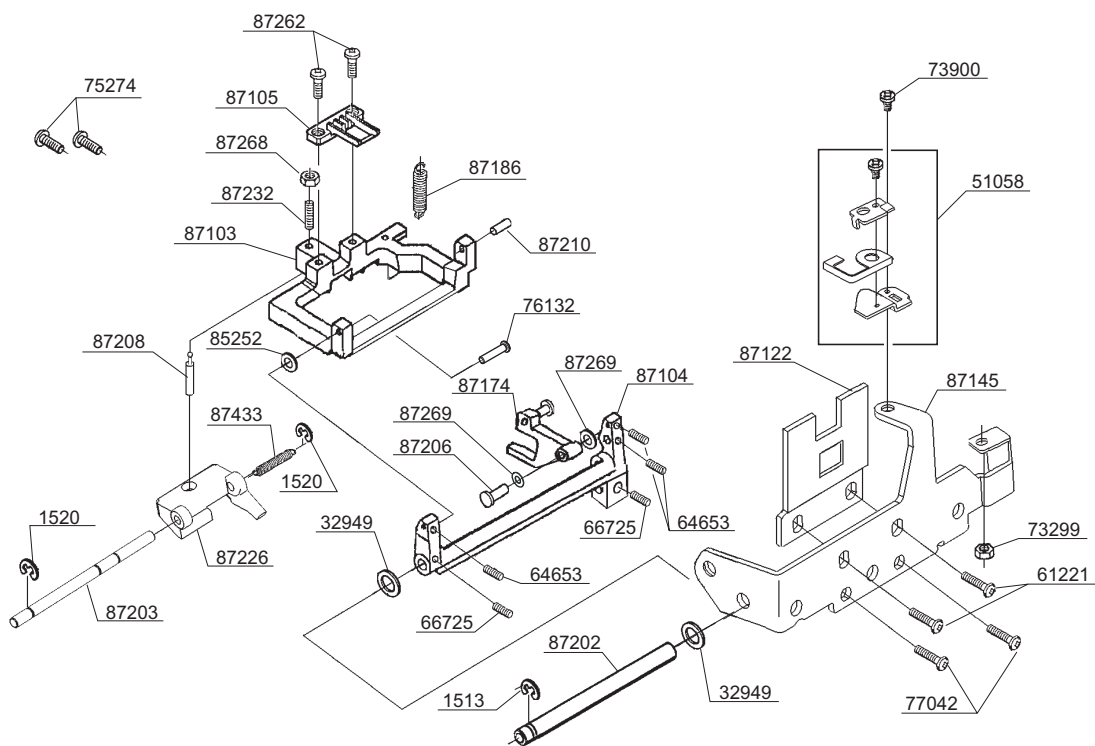
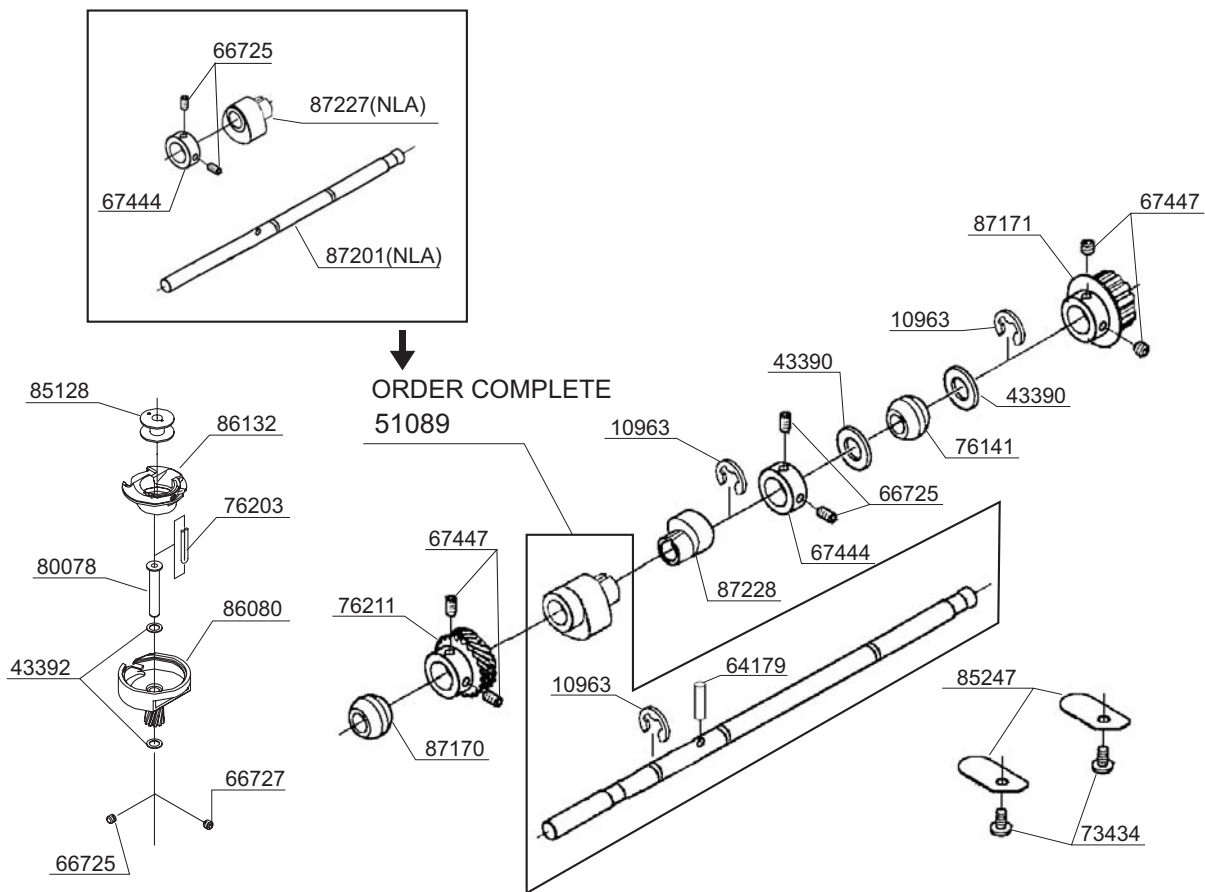


# H

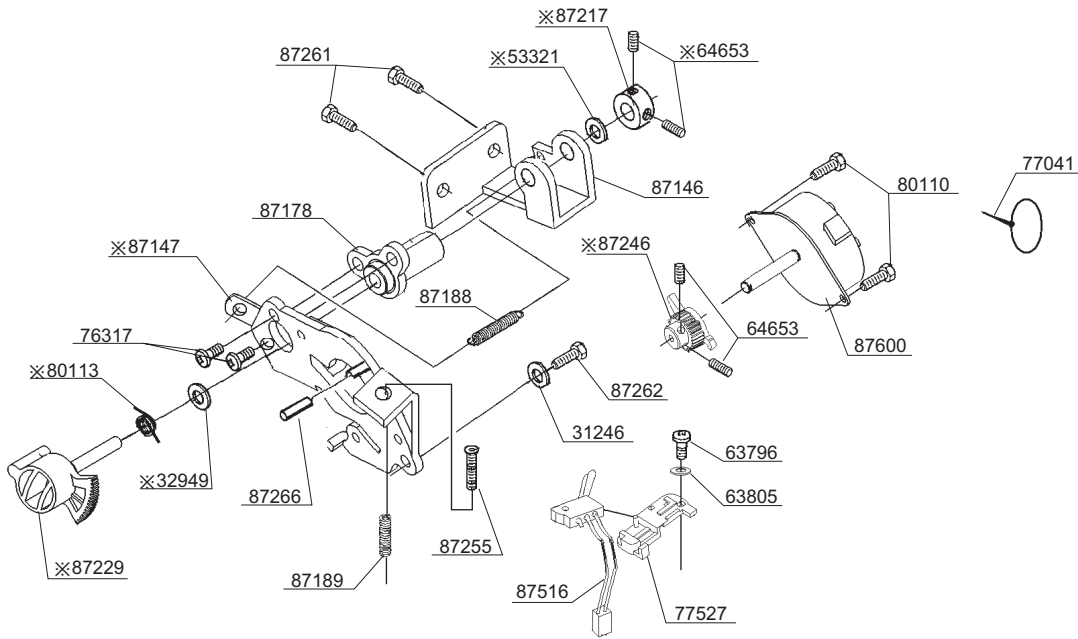


NOTE : PARTS NUMBER WITH ※ MARKS ARE FOR MACHINES SERIAL NUMBERS WITH "2" AT FIRST DIGIT.

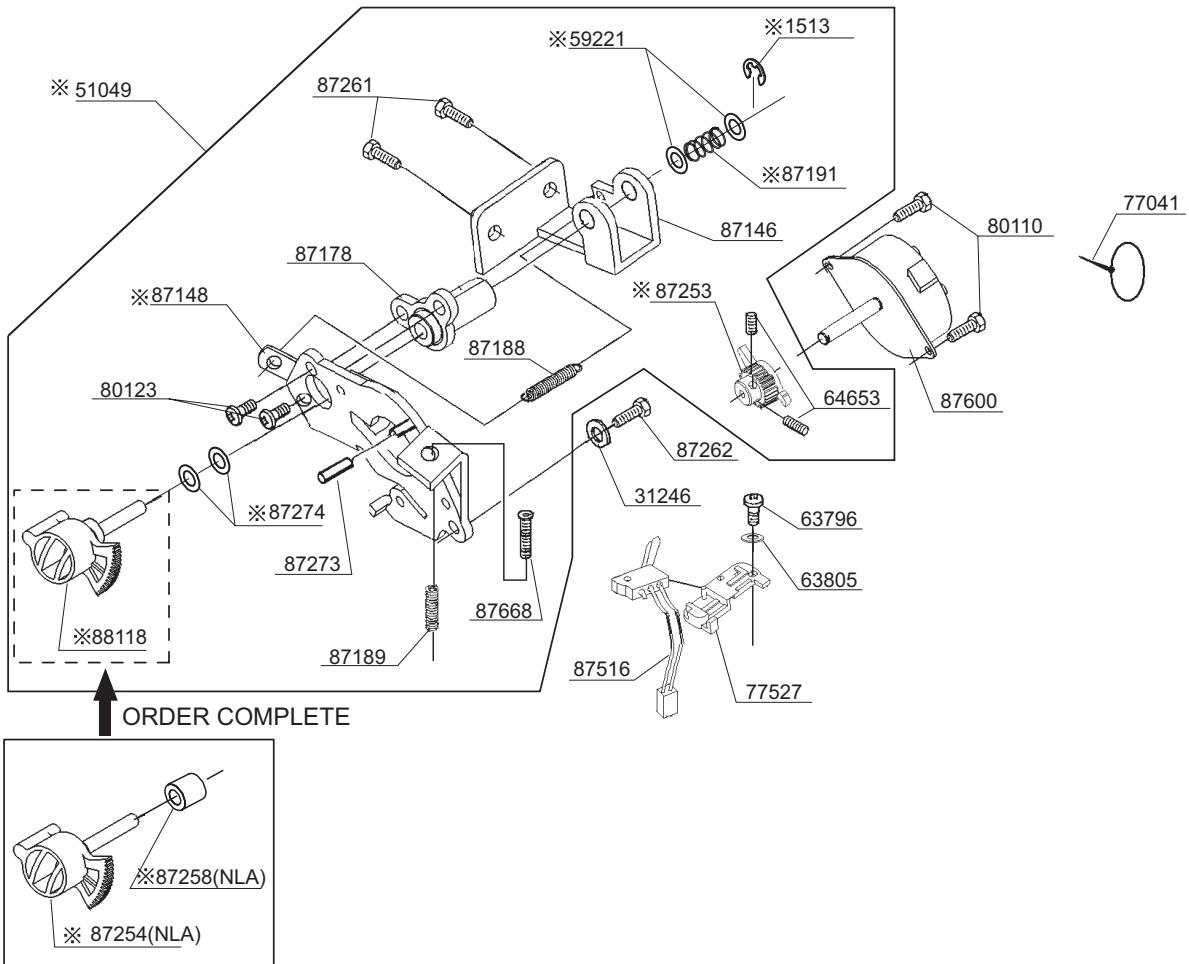




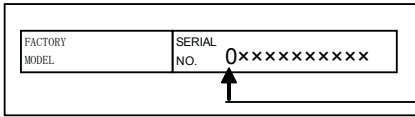
L



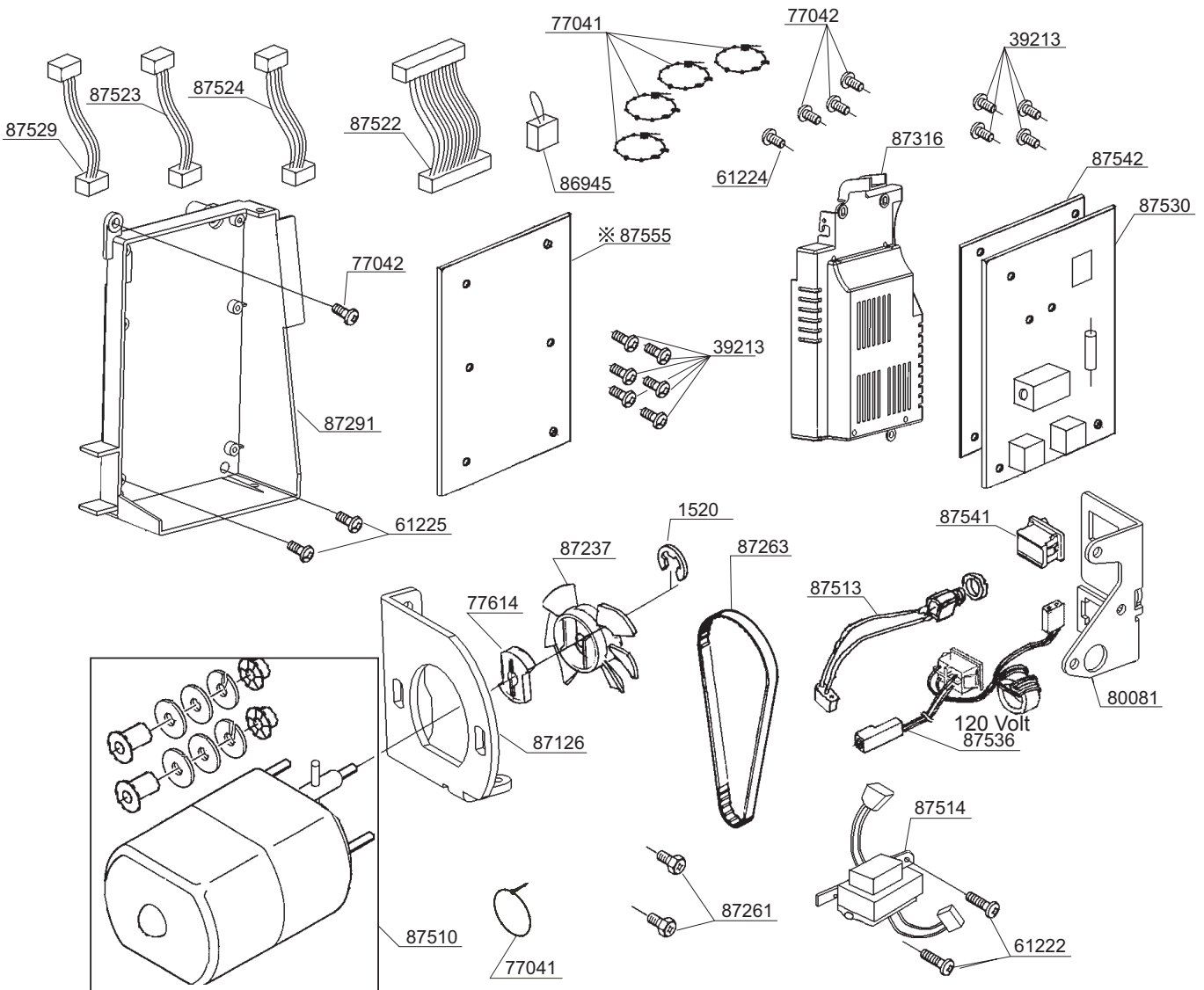
M

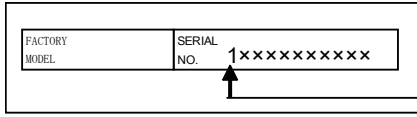






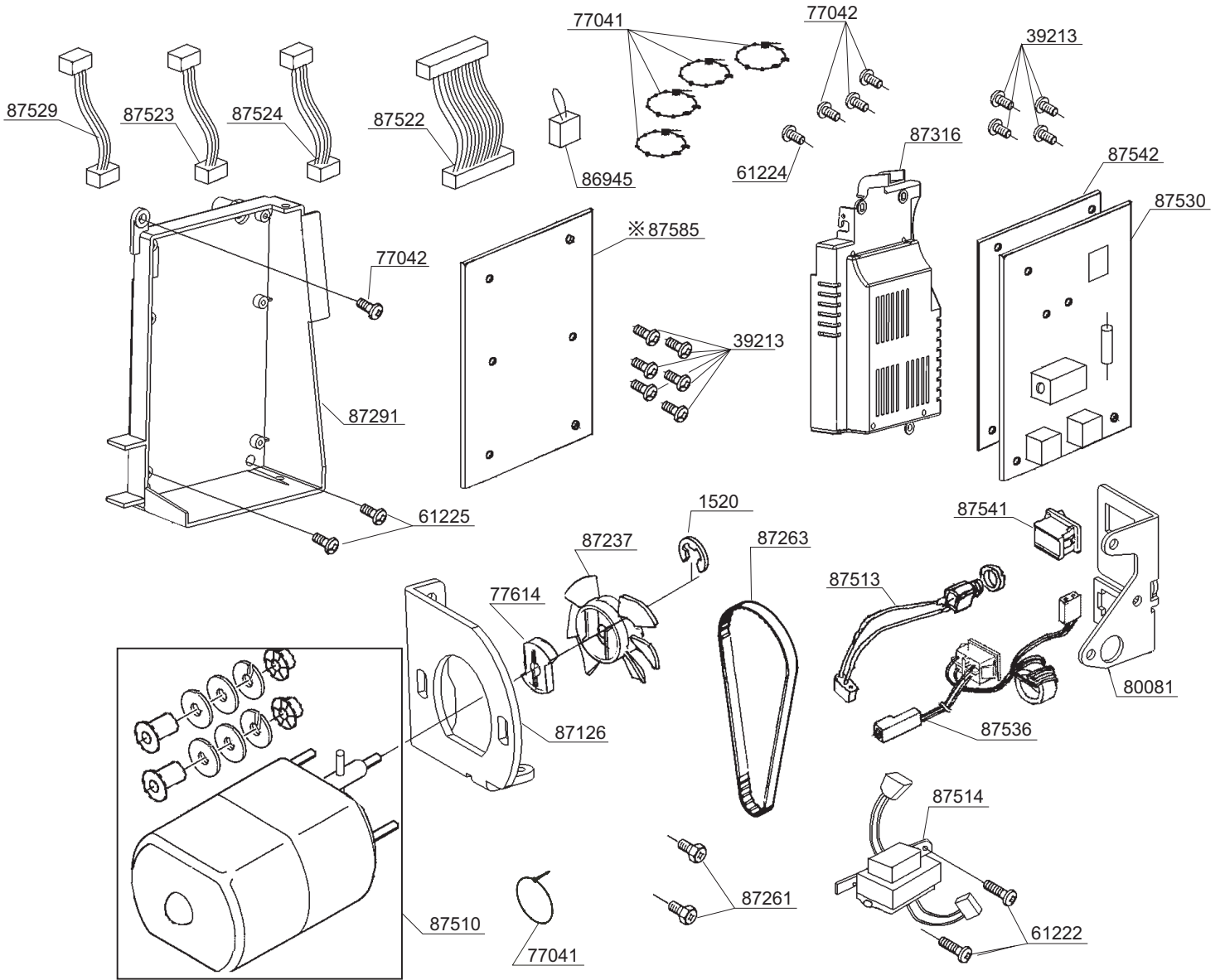
NOTE : PARTS NUMBER WITH ✕ MARKS ARE FOR MACHINES SERIAL NUMBERS WITH "0" AT FIRST DIGIT.

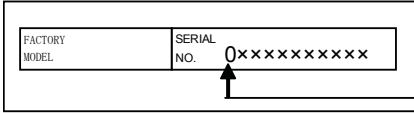




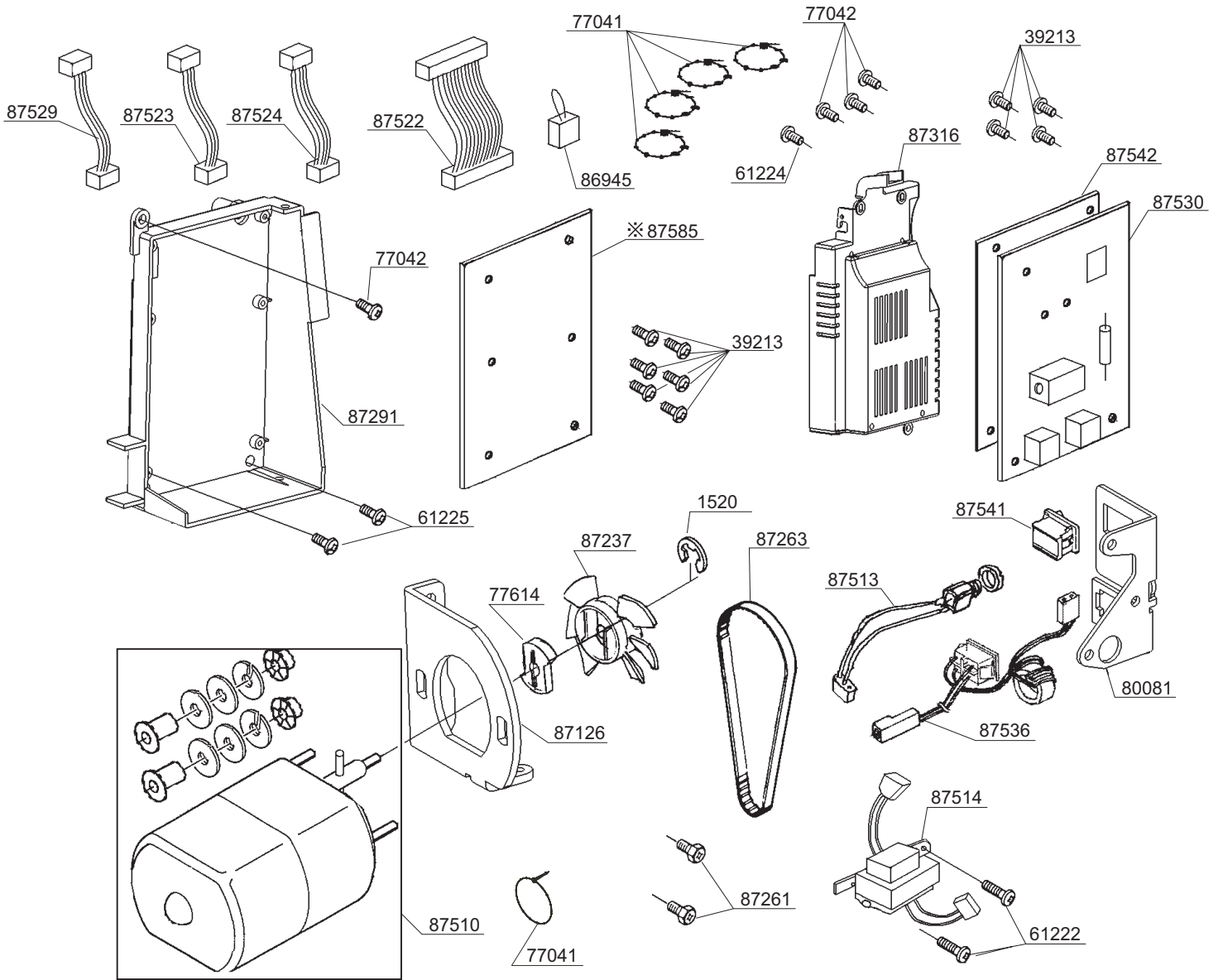
FIRST DIGIT  
1 OR 2

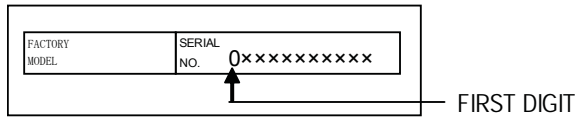
NOTE : PARTS NUMBER WITH ※  
MARKS ARE FOR MACHINES SE-  
RIAL NUMBERS WITH "1" OR "2" AT  
FIRST DIGIT.



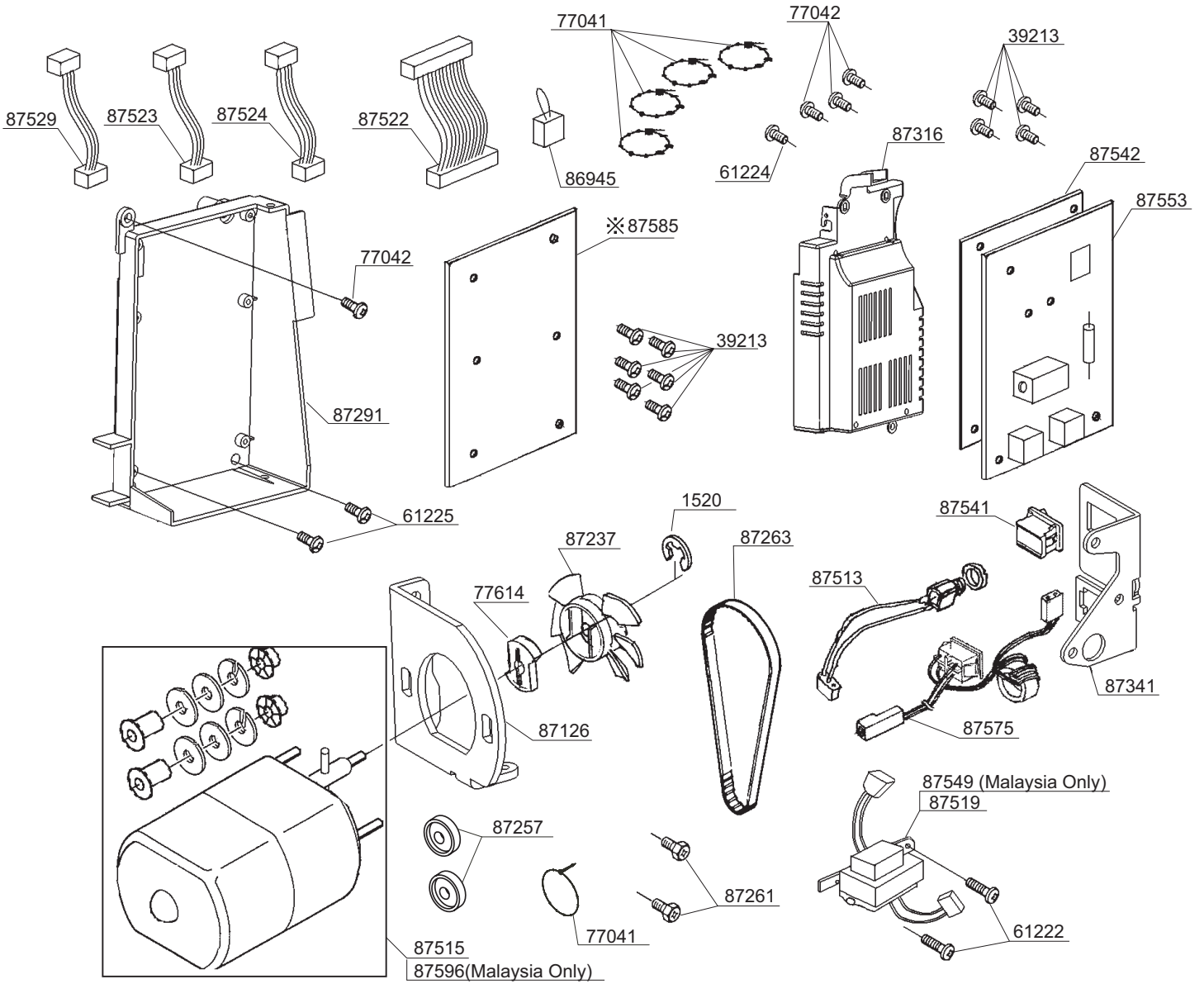


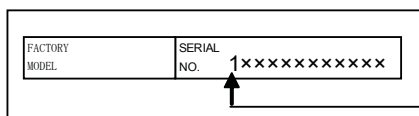
NOTE : PARTS NUMBER WITH ※ MARKS ARE FOR MACHINES SERIAL NUMBERS WITH "0" AT FIRST DIGIT.





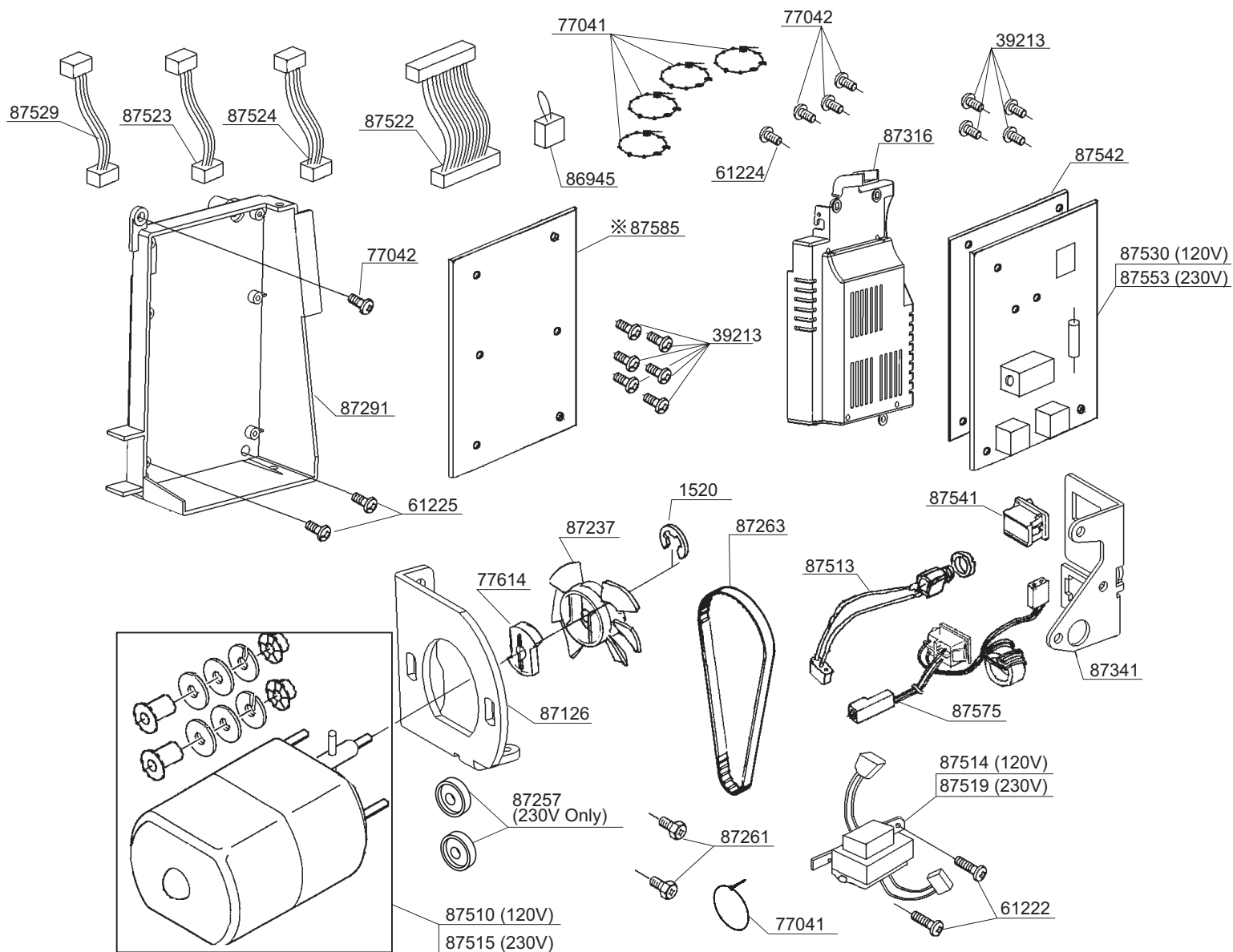
NOTE : PARTS NUMBER WITH ✕ MARKS ARE FOR MACHINES SERIAL NUMBERS WITH "0" AT FIRST DIGIT.

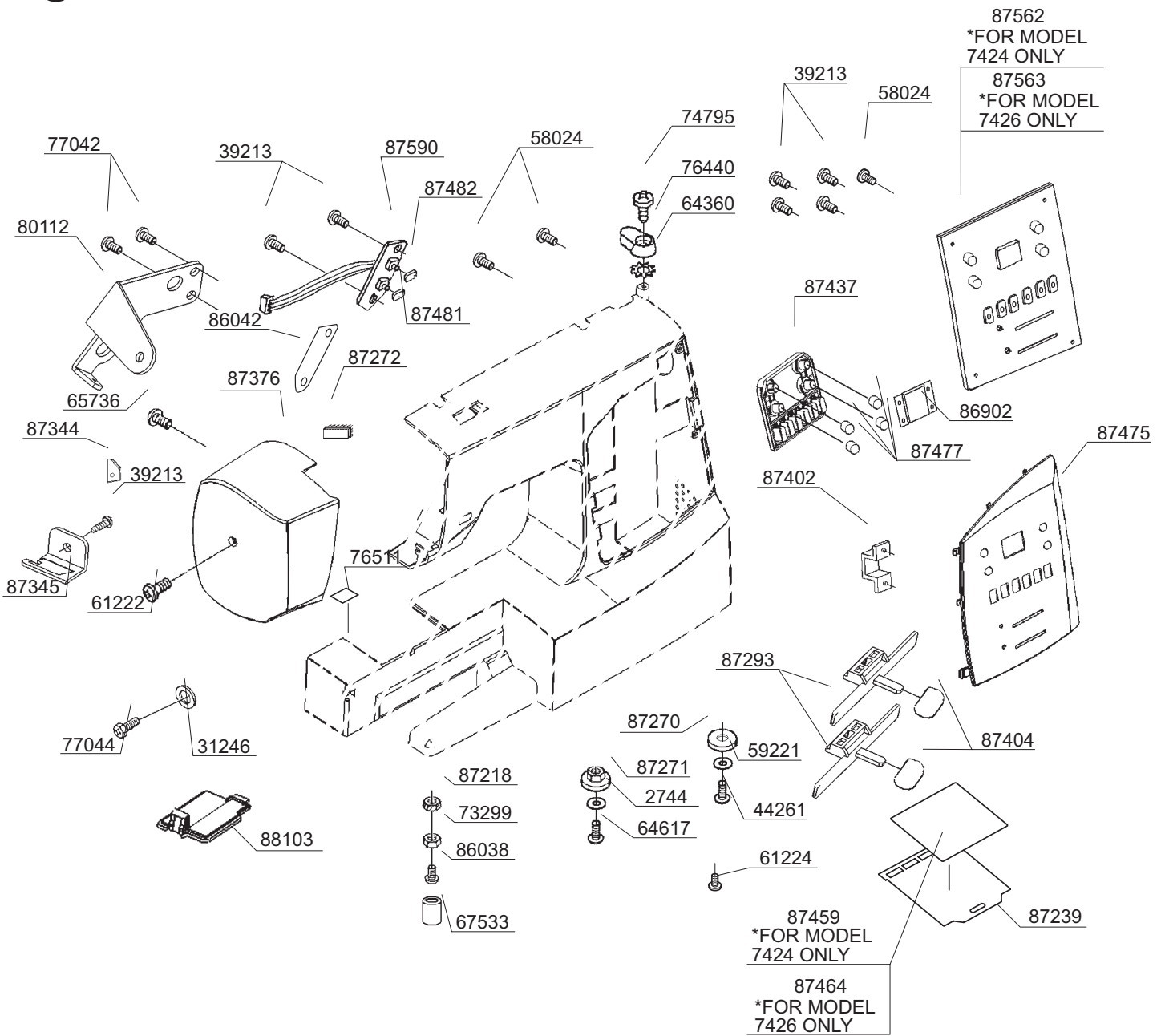


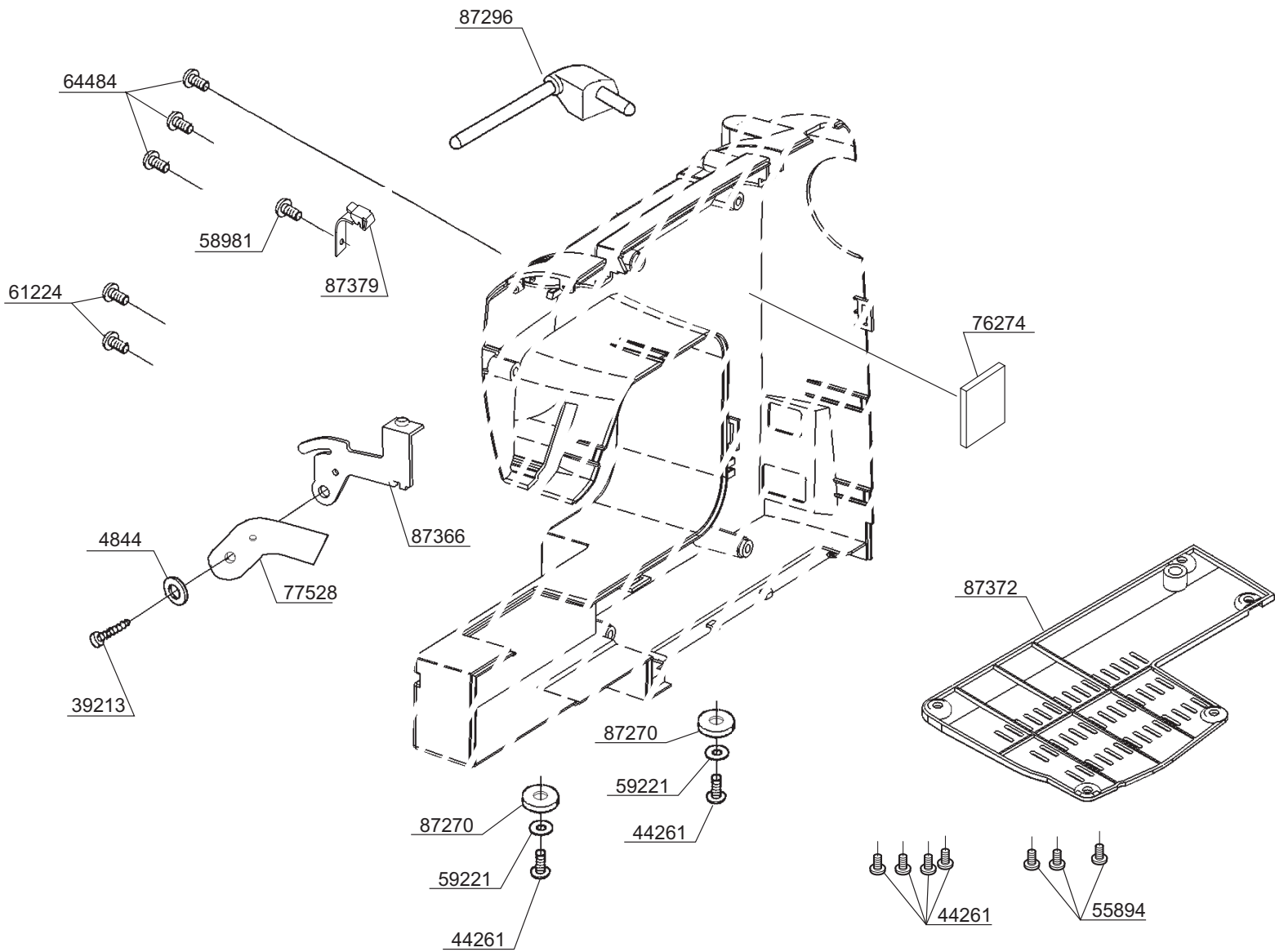


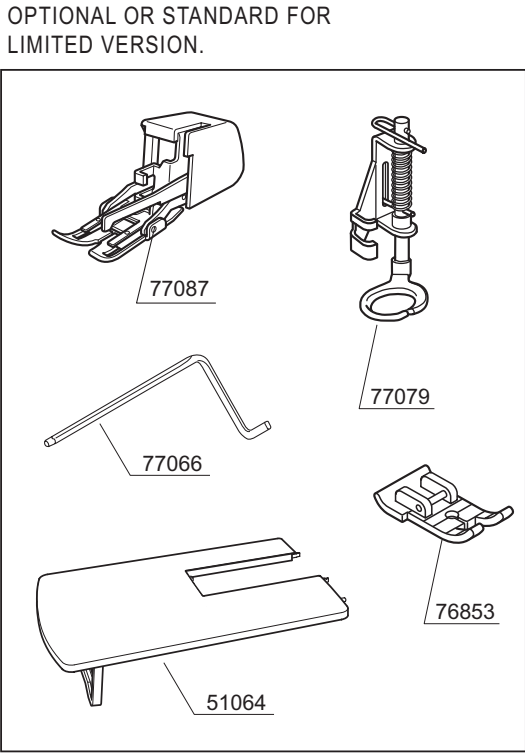
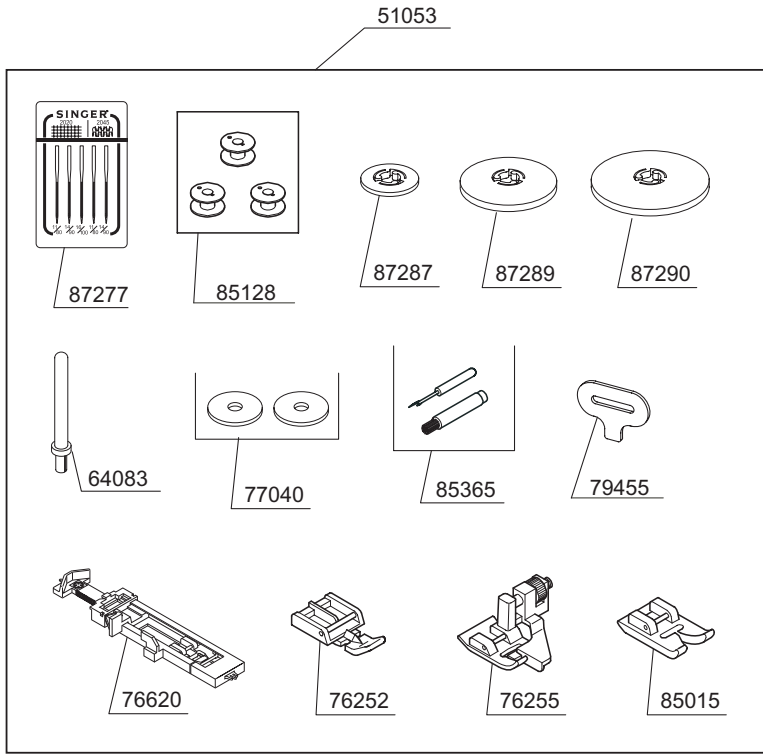
FIRST DIGIT  
1 OR 2

NOTE : PARTS NUMBER WITH ✕ MARKS ARE FOR MACHINES SERIAL NUMBERS WITH "1" OR "2" AT FIRST DIGIT.

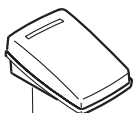




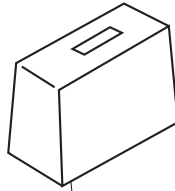




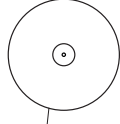
- 85338 (UK, MALAYSIA ONLY)
- 85339 (230V)
- 85343 (AUSTRALIA ONLY)
- 85349 (KOREA ONLY)
- 85354 (CHINA ONLY)
- 87534 (120V)
- 87601 (BRAZIL ONLY)



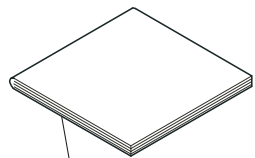
87532



87286



82185  
USA ONLY



INSTRUCTION BOOK

PART NO.	DESCRIPTION
51053	ACCESSORY SET
51085	EXTENSION TABLE
64083	SPOOL PIN
76252	ZIPPER FOOT
76255	BLIND STITCH FOOT
76620	BUTTONHOLE FOOT
77040	SPOOL PIN DISC
79455	LARGE SCREW DRIVER
82102	INSTRUCTION BOOK (Dan/Swe/Nor/Fin)
82109	INSTRUCTION BOOK (Russ)
82110	INSTRUCTION BOOK (Eng/Fre/Spa)
82137	QUICK START GUIDE SEET (USA ONLY)
82139	INSTRUCTION BOOK (Turkish/Eng/Fre)
82152	INSTRUCTION BOOK (Ita/Fre/Ger)
82159	INSTRUCTION BOOK (Greece)
82185	QUICK START GUIDE DVD (USA ONLY)
85015	SATIN FOOT
85128	BOBBIN
85338	POWER CORD (UK ONLY)
85339	POWER CORD (230V)
85343	POWER CORD (AUSTRALIA ONLY)
85354	POWER CORD (CHINA ONLY)
85365	BUTTONHOLE OPENER / BRUSH
86783	1/4-INCH FOOT (EX TPO)
86785	DARNING & EMBROIDERY FOOT (EX TPO)
86786	EVEN FEED FOOT (EX TPO)
86790	OPEN TOE FOOT (EX TPO)
87277	NEEDLE SET
87286	VINYL COVER
87287	SPOOL PIN CAP (MINI)
87289	SPOOL PIN CAP (SMALL)
87290	SPOOL PIN CAP (LARGE)
87532	FOOT CONTROL (PIN-JACK TYPE)
87534	POWER CORD (120V)
87601	POWER CORD (BRAZIL ONLY)



PART NO.	DESCRIPTION	PAGE	PART NO.	DESCRIPTION	PAGE
1 1513	E4 CLIP-ON-WASHER	A,E,K,M	75022	THREAD GUIDE	E
1520	E3 CLIP-ON-WASHER	F,K,N,O,P,Q,R	75024	STOPPER	E
2744	WASHER	S	75025	GUIDE BLOCK	E
10963	E6 CLIP-ON-WASHER	B,C,D,J	75027	COMPRESSION SPRING	E
26934	#8 SCREW	E	75047	CLUTCH	B,C
28735	CRINKLE WASHER	E	75060	TAKE-UP LEVER CRANK	B,C
28917	HOOK FOR SPRING	E	75194	TORSION SPRING	B,C
31246	WASHER	L,M,S	75207	CS-CLIP	B,C
31733	M3 NUT	E	75274	M4 PHILIPS SCREW	B,C,K
32949	WASHER	K,L	76114	COVER GUIDE (R)	F
39213	M3 SCREW	E,N,O,P,Q,R,S	76132	SHAFT	K
43389	THRUST WASHER	B,C	76141	BALL METAL	J
43390	THRUST WASHER	J	76159	COMPRESSION LEVER	F
43392	THRUST WASHER	J	76163	THREADER SHAFT SET	E
43930	SPRING PIN	B,C	76183	NEEDLE BAR	E
44066	SPRING PIN	B,C	76203	OILING CORD	J
44261	M4 SCREW	S	76211	BEVEL GEAR	J
51046	NEEDLE PLATE SET	F	76251	ZIGZAG PRESSER FOOT	F
51047	THREAD GUIDE PLATE ASSY	G,H	76252	ZIPPER FOOT	T
51048	TENSION ASSY	G	76255	BLIND STITCH FOOT	T
51049	FEED REGULATOR UNIT	M	76317	M3 PHILIPS SCREW	E,F,L
51053	ACCESSORY SET	T	76366	CRANK SHAFT	B,C
51058	RETAINER SET	K	76440	BOBBIN WINDER LATCH	S
51064	EXTENSION TABLE	T	76511	SEAL	S
51089	LOWER SHAFT WITH LIFTING	CAM SET	J 76547	THREAD CONTROL PLATE	F
52021	TENSION ASSY	H,E,L	76620	BUTTONHOLE FOOT	T
53403	WASHER	B,C	76688	SHAFT	B,C
56858	M2 PHILLIPS SCREW	F	76853	1/4-INCH FOOT	T
58024	TAPPING SCREW	S	77035	M4 PHILLIPS SCREW	B,C
59221	WASHER	M,S	77040	SPOOL PIN DISC	T
61221	M4 PHILIPS SCREW	K,N,O,P,Q,R,S	77041	UNITY FASTENER	E,L,M,N,O,P,Q,R
61224	M4 PHILIPS SCREW	A,C,NO,P,Q,R,S	77042	M4 PHILIPS SCREW	A,D,E,F,G,H,K,N,O,P,R,S
61225	M4 PHILIPS SCREW	N,O,P,Q,R	77043	FELT WASHER	E,F
61341	M4 SCREW	E	77044	M3 PHILIPS SCREW	S
62215	M4 NUT	G,H	77053	M3 PHILIPS SCREW	D
63278	PRESSER BAR	F	77066	QUILTING GUIDE	T
63796	M3 SCREW	E,L,M	77079	DARNING & EMBROIDERY FOOT	T
63805	WASHER	E,L,M	77087	EVEN FEED FOOT	T
64051	M4 SCREW	F	77237	INSTRUCTION BOOK (Eng/Fre/Spa) FOR MODEL7426 (USA) ONLY	T
64083	SPOOL PIN	T		INSTRUCTION BOOK (Korean)	T
64179	SPRING PIN	J	77260	INSTRUCTION BOOK	
64359	M4 SCREW	E	77276	(Eng/Fre/Spa) FOR MODEL7424 ONLY	T
64360	TOOTHED WASHER	S		INSTRUCTION BOOK (Fre/Gree/Eng)	T
64617	TAPPING SCREW	S	77279	INSTRUCTION BOOK (Ita/Dut/Ger)	T
64653	M3 SCREW	E,K,L,M	77289	INSTRUCTION BOOK (Dan/Swe/Nor)	T
65736	M4 PHILIPS SCREW	S	77295	INSTRUCTION BOOK (Fin/Estonian/Portuguese)	T
66005	M2 PHILIPS SCREW	E,F	77298	INSTRUCTION BOOK	
66235	SECURING PLATE	B,C	77359	(Eng/Fre/Spa) FOR MODEL7426 (OTHER) ONLY	T
66437	BUSH	B,C		INSTRUCTION BOOK	
66725	M4 SCREW	B,C,E,J,K	77363	(Eng/Fre/Spa) FOR MODEL7426 (MEXICO) ONLY	T
66727	M4 SCREW	B,C,F,J		INSTRUCTION BOOK (Brazilian-Portuguese)	T
66787	WASHER	B,C	77389	THREADER ASSEMBLY	E
67232	NEEDLE	E	77421	SENSOR COVER	E,L,M
67444	COLLAR	J	77527	GEAR CLUTCH	N,O,P,Q,R
67447	M5 SCREW	B,C,J	77614	LARGE SCREW DRIVER	T
67533	RUBBER CUSHION	S	79455	SCREW	F
68152	BALL BUSH	B,C	79491	CORD GUIDE	A
68299	#7 SCREW FOR SHANK	F	80070	NEEDLE BAR CRANK SET	E
68343	PIN	E	80073	SHUTTLE RACE SHAFT	J
72266	M4 STUD SCREW	G,H	80078	CORD GUIDE	F
72367	M4 CP SCREW	E	80079	SWITCH BRACKET	N,O
72858	WASHER	K	80081	STRAIGHT PIN	E
73299	M4 TORQUE NUT	E,K,S	80095	M2 SCREW	F
73371	M6 SCREW	B,C	80096	CONTROL PLATE	F
73434	M4 PHILLIPS SCREW	B,C,J	80102	BRACKET	A
73472	COLLAR	B,C	80109	M3 PHILLIPS SCREW	L,M
73900	M3 PHILIPS SCREW	D,E,F,K	80110	FACE COVER BRACKET	S
74050	EXTENSION SPRING	E	80112	TORSION SPRING	L
74795	TAPPING SCREW	S	80113		

PART NO.	DESCRIPTION	PAGE	PART NO.	DESCRIPTION	PAGE
80123	M3 SCREW	M	87169	BOBBIN WINDER BRACKET UNIT	D
82020	INSTRUCTION BOOK (Russia)	T	87170	BALL METAL	J
82069	INSTRUCTION BOOK		87171	TIMING BELT GEAR (LOWER)	J
	(Fre/Gree/Eng) FOR MODEL 7426-diva	S T	87174	FORKED CRANK	K
82081	INSTRUCTION BOOK		87178	FEED REGULATOR SHAFT METAL BUSH	
	(Eng/Fre/Arabic) FOR MODEL 7424	T	L,M		
82185	QUICK START GUIDE DVD (USA ONLY)	T	87180	EXTENSION SPRING	D
85013	POSITIONING COLLAR	B,C	87182	TORSION SPRING	D
85015	SATIN FOOT	T	87183	SPRING	E
85016	PRESSER FOOT HOLDER	F	87184	SPRING	E
85017	BALANCER	B,C	87186	TORSION SPRING	K
85046	COLLAR	B,C	87188	EXTENSION SPRING	L,M,
85064	EXTENSION SPRING	F	87189	COMPRESSION SPRING	L,M
85065	COMPRESSION SPRING	F	87191	COMPRESSION SPRING	M
85128	BOBBIN	J,T	87200	MAIN SHAFT	B,C
85138	TENSION ROLLER	B,C	87201	LOWER STRAIGHT SHAFT (NLA)	
85181	LEAF SPRING	F		→ ORDER COMPLETE 51089	J
85198	BH PLATE( A )	F	87202	SHAFT	K
85217	RETAINER	B,C	87203	SHAFT	K
85247	SECURING PLATE	J	87206	PIN	K
85252	WASHER	K	87207	STRAIGHT PIN	E
85262	M2 SCREW	F	87208	BALL HEADED PIN	K
85274	M2 SCREW	D	87210	PIN	K
85338	POWER CORD		87211	M3 SCREW	E
	(UK, MALAYSIA ONLY)	T	87212	M4 SCREW	G,H
85339	POWER CORD (230V)	T	87216	PIN	A
85343	POWER CORD		87217	COLLAR	L
	(AUSTRALIA ONLY)	T	87218	NUT	S
85349	POWER CORD (KOREA ONLY)	T	87220	BELT PULLEY	B,C
85354	POWER CORD (CHINA ONLY)	T	87221	UPPER TIMING BELT GEAR	B,C
85365	BUTTONHOLE OPENER / BRUSH	T	87225	ECCENTRIC CAM	E
86038	STUD SCREW	S	87226	VERTICAL FEED BLOCK	K
86042	SPACER	S	87227	LIFTING CAM (NLA)	
86080	SHUTTLE RACE	J		→ORDER COMPLETE 51089	J
86132	BOBBIN CASE	J	87228	FEED CAM	J
86256	COVER GUIDE (L)	F	87229	FEED REGULATOR	L
86902	INDICATOR WINDOW	S	87232	M6 STUD SCREW	K
86945	JUMPER HARNESS	N,O,P,Q,R	87234	RELEASE LEVER	F
87101	NEEDLE BAR SUPPORT	E	87235	ZIGZAG CAM WITH GEAR	E
87103	FEED DOG BASE	K	87236	LED LIGHT COVER	E
87104	FEED DOG BASE SUPPORT	K	87237	MOTOR FAN	N,O,P,Q,R
87105	FEED DOG	K	87239	PATTERN DRAWER	S
87106	NEEDLE PLATE	F	87241	ENCODER	B,C
87107	BOBBIN CASE STOPPER	F	87242	INSULATION SHEET	D
87108	NEEDLE BAR SUPPORT BRACKET	E	87245	BELL CLANK FOR ZIGZAG	E
87109	SECURING PLATE	E	87246	PINION GEAR	E,L
87110	NEEDLE BAR ADJUSTING PLATE	E	87253	PINION GEAR	M
87111	NEEDLE BAR SWING BRACKET	E	87254	FEED REGULATOR (NLA)	
87112	TENSION RELEASE LEVER	G,H		→ ORDER COMPLETE 88118	M
87114	PRESSURE BAR GUIDE	F	87257	BUSH	P,Q
87117	BH PLATE B	F	87258	COLLAR (NLA)	
87118	BH PLATE C	F		→ ORDER COMPLETE 88118	M
87120	THREAD GUIDE PLATE	E	87261	CP BOLT	L,M,N,O,P,Q,R
87122	SUPPORT PLATE	K	87262	M3 CP SCREW	K,L,M
87125	IDLER PULLEY BRACKET	B,C	87263	DRIVING BELT	N,O,P,Q,R
87126	MAIN MOTOR BRACKET	N,O,P,Q,R	87264	TIMING BELT	B,C
87127	BOBBIN WINDER BRACKET	D	87265	SPACER	E
87128	MOUNTING BRACKET	D	87266	TUBE	E
87129	RETAINER	D	87266	PIN	L
87134	TAKE-UP LEVER	B,C	87267	INSULATION SHEET	E
87135	BRACKET	F	87268	M6 NUT	K
87136	L-R LIMITER	E	87269	WASHER	K
87139	MOUNTING BRACKET	D	87270	RUBBER FOOT	S
87146	BRACKET	L,M	87271	RUBBER FOOT	S
87146	BRACKET	M	87272	BRUSH	S
87147	STEPPING MOTOR BRACKET	L	87273	PIN	M
87148	STEPPING MOTOR BRACKET	M	87274	WASHER	M
87154	NEEDLE CLAMP SET	E	87277	NEEDLE SET	T
87156	BRACKET	A	87286	VINYL COVER	T

PART NO.	DESCRIPTION	PAGE	PART NO.	DESCRIPTION	PAGE
87287	SPOOL PIN CAP (MINI)	T	87601	POWER CORD (BRAZIL ONLY)	T
87288	PULLEY CAP	B,C	87668	M4 BOLT	L,M
87289	SPOOL PIN CAP (SMALL)	T	87714	PRESSURE SUPPORT PLATE UNIT	F
87290	SPOOL PIN CAP (LARGE)	T	87749	M3 SHOULDER SCREW	D
87291	CPU CIRCUIT BOARD BOX	N,O,P,Q,R	88103	COVER	S
87293	SLIDE LEVER	S	88118	FEED REGULATOR	M
87297	PRESSURE BAR LIFTER	G,H	88311	TAKE-UP LEVER SHAFT BLOCK	C
87299	PULLEY	B,C			
87316	AC CIRCUIT BOARD BOX	N,O,P,Q,R			
87341	SWITCH BRACKET	P,Q,R			
87344	BLADE	S			
87345	BLADE FIXTURE	S			
87349	ACC. BOX	A			
87355	HANDLE	A			
87361	BOBBIN WINDER UNIT	D			
87374	BRACKET	A			
87376	FACE COVER	S			
87402	LED PANEL	S			
87404	KNOB	S			
87422	DROP GUIDE	K			
87423	DROP LEVER	K			
87424	TORSION SPRING	K			
87425	DROP KNOB	K			
87426	SECURING BRACKET	K			
87433	TORSION SPRING	K			
87437	PATTERN SWITCH	S			
87456	NEEDLE COVER PLATE	F			
87459	PATTERN SEAL (FOR MODEL 7424 ONLY)		S		
87464	PATTERN SEAL (FOR MODEL 7426 ONLY)		S		
87475	CONTROL PANEL	S			
87477	BUTTON	S			
87481	BUTTON	S			
87482	BUTTON	S			
87497	HANDLE BRACKET ( L )	A			
87498	HANDLE BRACKET ( R )	A			
87502	LED LIGHT CIRCUIT BOARD	E			
87506	SWITCH HARNESS	D			
87507	BH SWITCH HARNESS	F			
87510	MAIN MOTOR	N,O,R,			
87513	PIN-JACK HARNESS	N,O,P,Q,R			
87514	TRANSFORMER	N,O,R			
87515	MAIN MOTOR	P,Q			
87516	SWITCH HARNESS	L,M			
87517	SWITCH HARNESS FOR ZIGZAG		E		
87519	TRANSFORMER	P,Q			
87522	13P CORD HARNESS	N,O,P,Q,R			
87523	4P CORD HARNESS	N,O,P,Q,R			
87524	5P CORD HARNESS	N,O,P,Q,R			
87527	PHOTO SENSOR CIRCUIT BOARD		D		
87529	4P CORD HARNESS	N,O,P,Q,			
87530	CIRCUIT BOARD	N,O,R			
87532	FOOT CONTROL (PIN-JACK TYPE)		T		
87534	POWER CORD (120V)	T			
87536	INLET HARNESS	N,O			
87541	SWITCH	N,O,P,Q,R			
87542	INSULATION SHEET	N,O,P,Q,R			
87549	TRANSFORMER (MALAYSIA ONLY)		P,Q		
87553	CIRCUIT BOARD	P,Q			
87555	CPU CIRCUIT BOARD	N,P			
87562	SWITCH CIRCUIT BOARD (FOR MODEL 7424 ONLY)		S		
87563	SWITCH CIRCUIT BOARD (FOR MODEL 7426 ONLY)		S		
87575	INLET HARNESS	P,Q,R			
87585	CPU CIRCUIT BOARD	O,Q,R			
87590	SWITCH HARNESS	S			
87596	MAIN MOTOR (MALAYSIA ONLY)		P,Q		
87600	STEPPING MOTOR		E,L,M		