

LIST OF PARTS

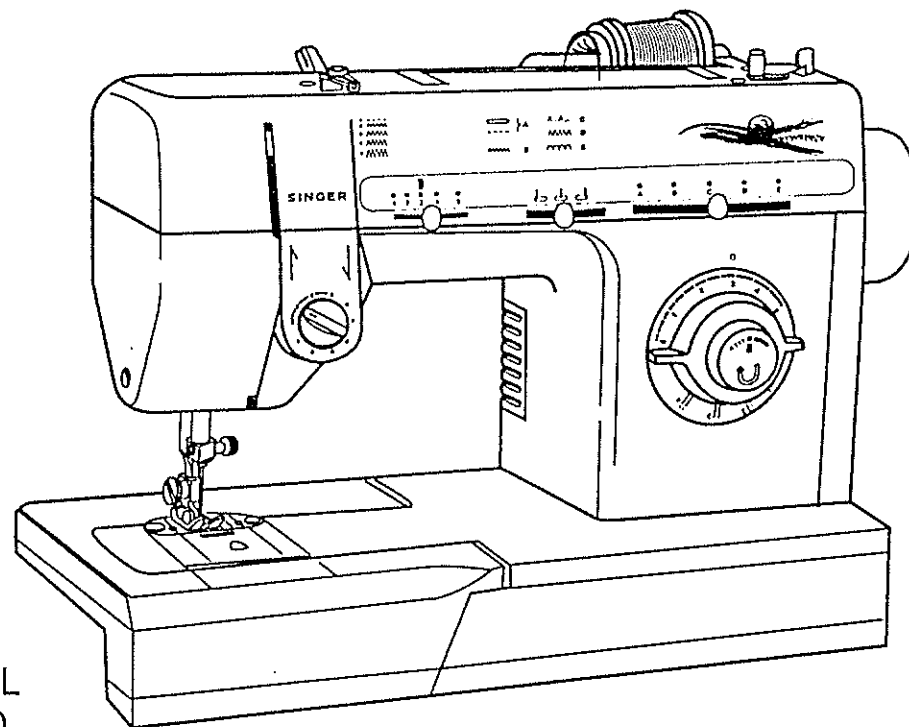
SEWING MACHINE SERIES

5802C *Magic 2,*

2517C

5805C *Magic 5*

5810C *Magic 10*



THE SINGER COMPANY
©2001 SINGER DO BRASIL
ALL RIGHTS RESERVED

PRINTED IN BRAZIL
P/N 357596-001
REV.1-JUNE/2002

PARTS LIST

REVISIONS

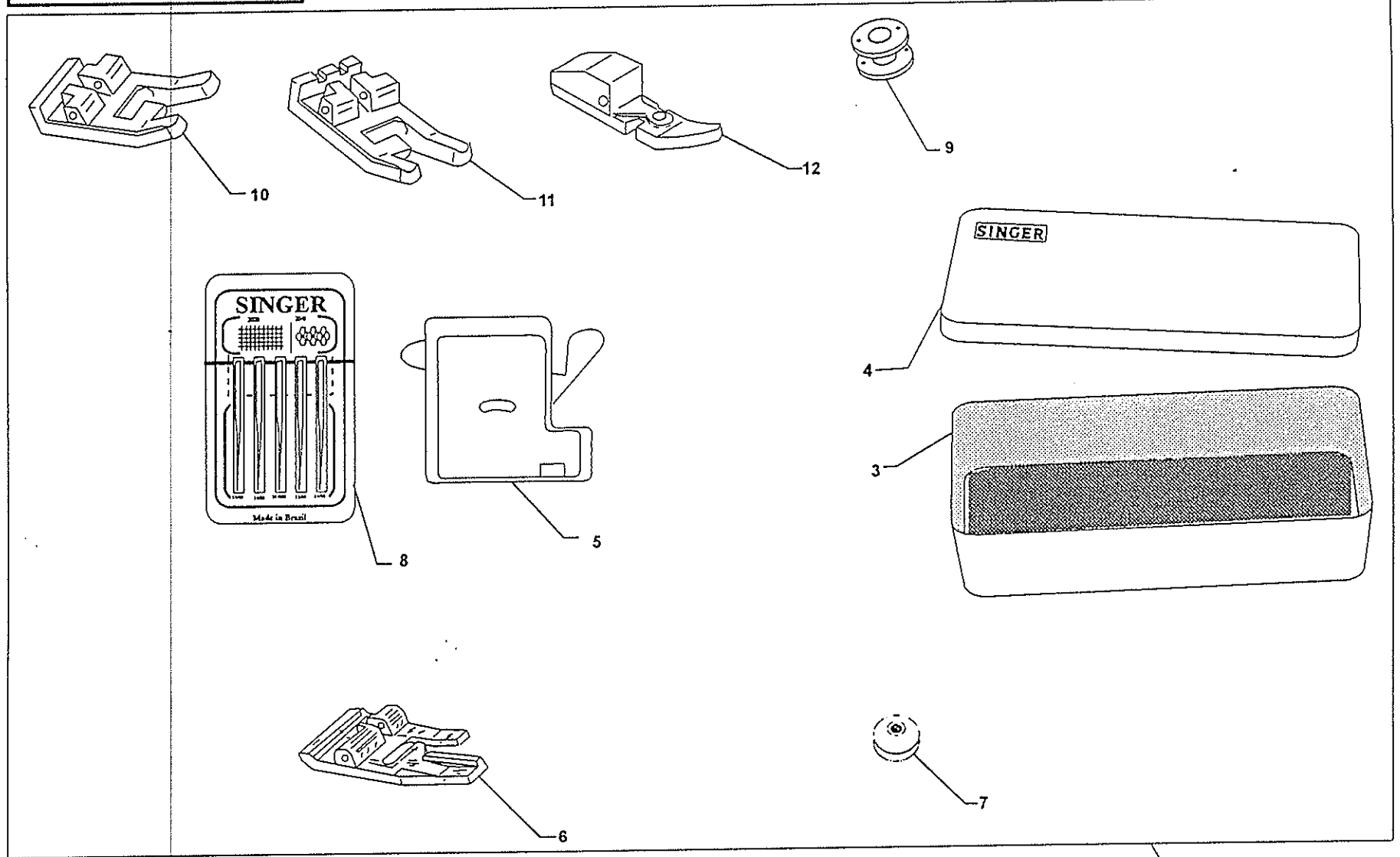
REV.	DESCRIPTION	APPROVAL	DATE
-	ADOPT		JULY/01
1	ADDED MODEL 5810		JUNE/02

PARTS LIST

SUB-ASSEMBLY

<i>PAGES REF.</i>	<i>DESCRIPTION</i>
01 - 02	ATTACHMENT SET
03 - 04	ARM, BED, THROAT PLATE & BED SLIDE
05 - 06	ARM TOP COVER
07 - 08	COVERS & ADD-ONS
09 - 13	NEEDLE BAR, PRESSER BAR & THREAD TAKE-UP
14 - 15	ARM SHAFT DRIVE
16 - 17	HAND WHEEL
18 - 19	TENSION MECHANISM
20 - 21	HOOK SYSTEM
22 - 23	BIGHT AMPLITUDE
24 - 27	NEEDLE POSITION
28 - 29	DISC SELECTOR ASSEMBLY
30 - 31	CAM STACK
32 - 33	FEED REGULATOR CAM
34 - 35	BUTTONHOLER & FEED REGULATOR CAM
36 - 37	CAM CONTROLLED FEED
38 - 39	FEED SYSTEM
40- 41	OPTIONS
42-43	ELECTRICAL EQUIPMENT

ATTACHMENT SET



REV: _____
DATA: JUL / 01

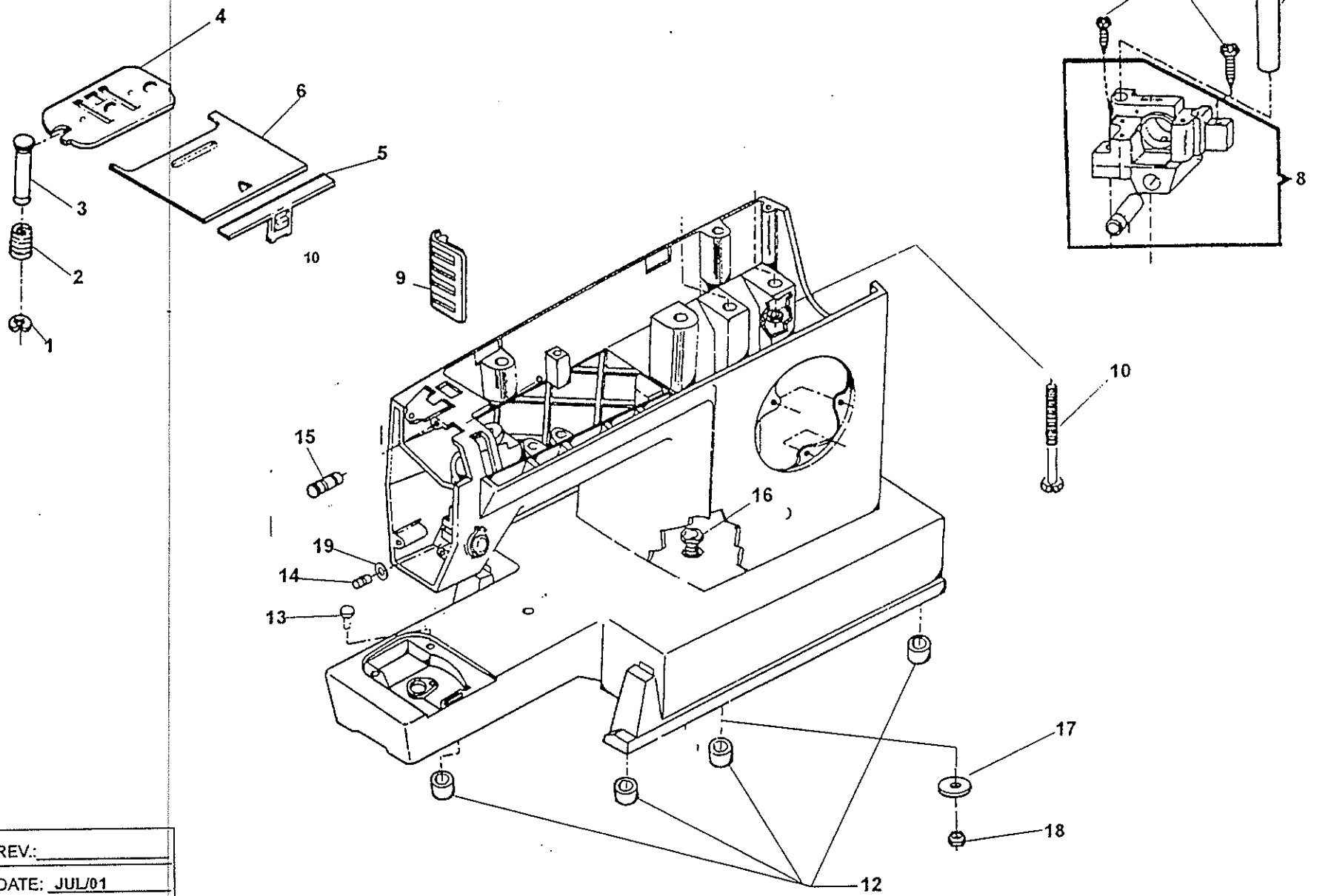
PARTS LIST

ATTACHMENT SET

REF.	PART NUMBER	DESCRIPTION	2 5 1 7	5 8 0 2	5 8 0 5	5 8 1 0
1	446495-001	ATTACHMENT SET COMPLETE	X	X	-	-
1	446496-003	ATTACHMENT SET COMPLETE	-	-	X	X
3	446148-456	ATTACHMENT BOX BASE (PLASTIC)	X	X	X	X
4	446149-458	ATTACHMENT BOX COVER (PLASTIC)	X	X	X	X
5	313117	FEED COVER PLATE (PLASTIC)	X	X	X	X
6	356630 000	BLIND STITCH GUIDE PRESSER FOOT	-	-	X	X
7	507664-467	ARM TOP COVER SPOOL PIN THREAD LEAD-OFF SMALL (PLASTIC)	X	X	X	X
8	353364	NEEDLE PACK (N2020 SIZE 11/14/16 & N2045 SIZE 11/14)	X	X	X	X
9	172336 001	BOBBIN (PLASTIC)	X	X	X	X
10	446492-451	SPECIAL PURPOSE PRESSER FOOT PLATE (SNAP-ON)	-	-	X	X
11	161927	PRESSER FOOT PLATE (SNAP-ON) FOR SEWING BUTTONHOLES	X	X	X	X
12	507836	PRESSER FOOT PLATE (SNAP-ON) COMPLETE FOR CORDING & SLIDE FAS	X	X	X	X

446150 454

ARM, BED, THROAT PLATE & BED SLIDE



REV: _____

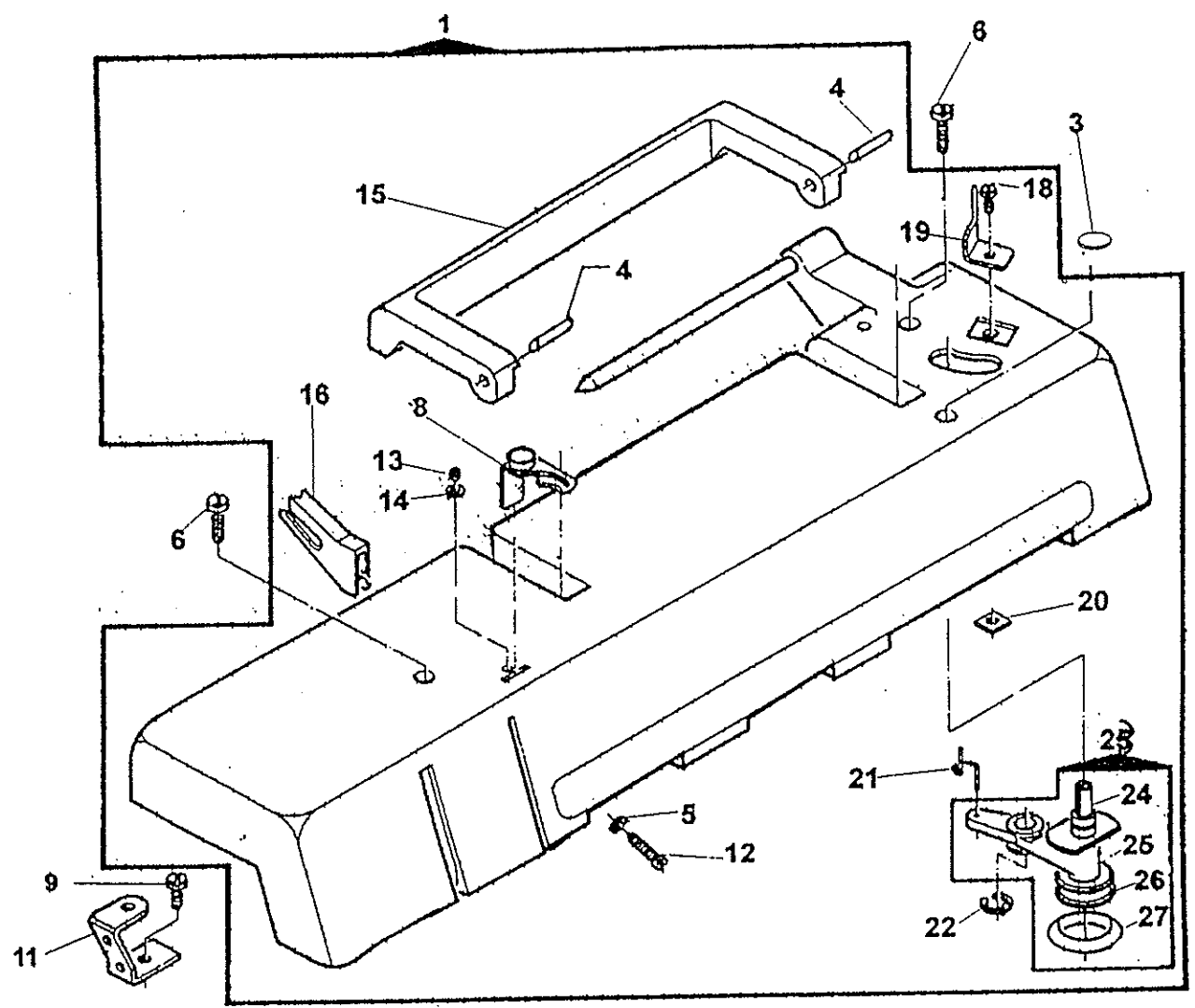
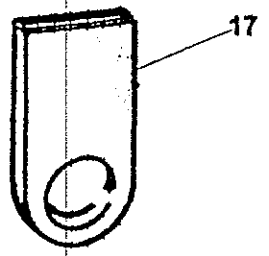
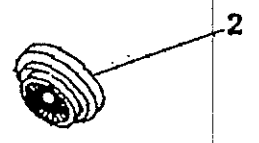
DATE: JUL/01

PARTS LIST

ARM, BED, THROAT PLATE & BED SLIDE

REF.	PART NUMBER	DESCRIPTION	2	5	5	5
			5	8	8	8
			1	0	0	1
			7	2	5	0
1	179926	THROAT PLATE CLAMP SPRING RETAINING RING	X	X	X	X
2	357611	THROAT PLATE CLAMP SPRING	X	X	X	X
3	353597	THROAT PLATE CLAMP	X	X	X	X
4	356713	THROAT PLATE FOR ZIG-ZAG SEWING	X	X	X	X
5	446482	BED SLIDE SPRING	X	X	X	X
6	356715	BED SLIDE PLATE	X	X	X	X
7	113455-006	ARM SHAFT (REAR) HOUSING MOUNTING SCREW	X	X	X	X
8	357017-002	ARM SHAFT (REAR) HOUSING ASSEMBLY	X	X	X	X
9	353360-452	ARM INSERT (MOTOR VENT GRILL)	X	X	X	X
10	357020-451	ARM SHAFT (REAR) HOUSING MOUNTING SCREW	X	X	X	X
11	357019	ARM TOP COVER MOUNTING STUD	X	X	X	X
12	353559-451	UNDER BED COVER CUSHION	X	X	X	X
13	353624	THROAT PLATE POSITION PIN (PLASTIC)	X	X	X	X
14	357438-001	TENSION RELEASING LEVER HINGE PIN	X	X	X	X
15	446375	THREAD TAKE-UP LEVER LINK HINGE STUD	X	X	X	X
16	355250-451	BED (BOTTOM) COVER & CABINET BOLT	X	X	X	X
17	353375-451	BED (BOTTOM) COVER & CABINET BOLT WASHER	X	X	X	X
18	514608	BED (BOTTOM) COVER & CABINET BOLT NUT	X	X	X	X
19	357464-002	TENSION RELEASING LEVER HINGE PIN WASHER	X	X	X	X

ARM TOP COVER



REV: _____
DATA: JUL/01

PARTS LIST

ARM TOP COVER

2	5	5	5
5	8	8	8
1	0	0	1
7	2	5	0

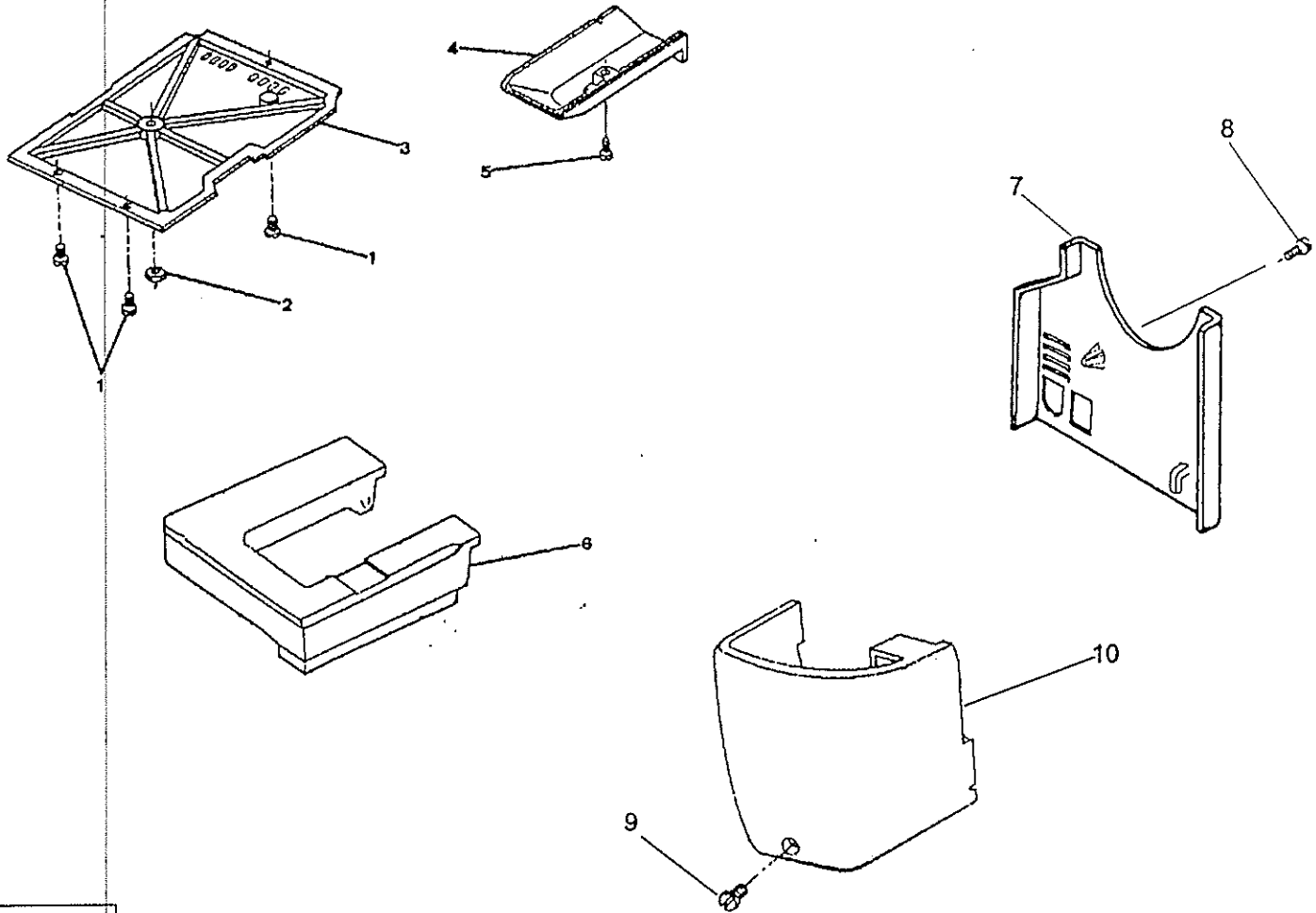
REF.	PART NUMBER	DESCRIPTION	2	5	5	5
1	357594-001	ARM TOP COVER COMPLETE	X	X	-	-
1	357594-002	ARM TOP COVER COMPLETE	-	-	X	-
4 1	357594-003	ARM TOP COVER COMPLETE	-	-	-	X ^x
2	179967-461	ARM TOP COVER SPOOL PIN THREAD LEAD-OFF	X	X	X	X
3	357600-001	ARM TOP COVER PLUGGED HOLE RESIN	X	X	X	X
4	357325-900	ARM TOP COVER MACHINE HANDLE HINGE PIN	X	X	X	X
5	446138-000	ARM TOP COVER THREAD GUIDE SCREW WASHER	X	X	X	X
6	354975-451	ARM TOP COVER SCREW	X	X	X	X
8	356047-000	BOBBIN WINDER TENSION COMPLETE	X	X	X	X
9	354826-451	ARM TOP COVER MOUNTING BRACKET SCREW	X	X	X	X
11	531765	ARM TOP COVER BRACKET (LEFT)	X	X	X	X
12	356116-451	ARM TOP COVER THREAD GUIDE SCREW	X	X	X	X
13	141936-833	BOBBIN WINDER TENSION BRACKET ADJUSTING SCREW	X	X	X	X
14	44794-000	BOBBIN WINDER TENSION BRACKET ADJUSTING SCREW RETAINING CLIP	X	X	X	X
15	357329-900	ARM TOP COVER MACHINE HANDLE	X	X	X	X
16	357084-451	ARM TOP COVER THREAD GUIDE	X	X	X	X
17	356843-454	ARM TOP COVER SHROUDER	X	X	X	X
18	141920-455	BOBBIN WINDER STOP SCREW	X	X	X	X
19	445924-000	BOBBIN WINDER STOP	X	X	X	X
20	53640-819	BOBBIN WINDER STOP SCREW NUT	X	X	X	X
21	531766-000	BOBBIN WINDER SPRING	X	X	X	X
22	445486	BOBBIN WINDER RETAINING RING	X	X	X	X
23	531767-452	BOBBIN WINDER ASSEMBLY <i>Durdou CPT</i>	X	X	X	X
24	356913	BOBBIN WINDER SPINDLE COMPLETE	X	X	X	X
25	354633-453	ARM TOP COVER HANDLE BRACKET	X	X	X	X
26	531770-452	BOBBIN WINDER FRAME	X	X	X	X
27	15287-701	BOBBIN WINDER FRICTION RING	X	X	X	X

2517C, 5802C, 5805C, 5810C

P/N 357596-001

Adopt.
June, 2001

COVERS & ADD-ONS



REV: _____
DATA: _JUL/01_

PARTS LIST

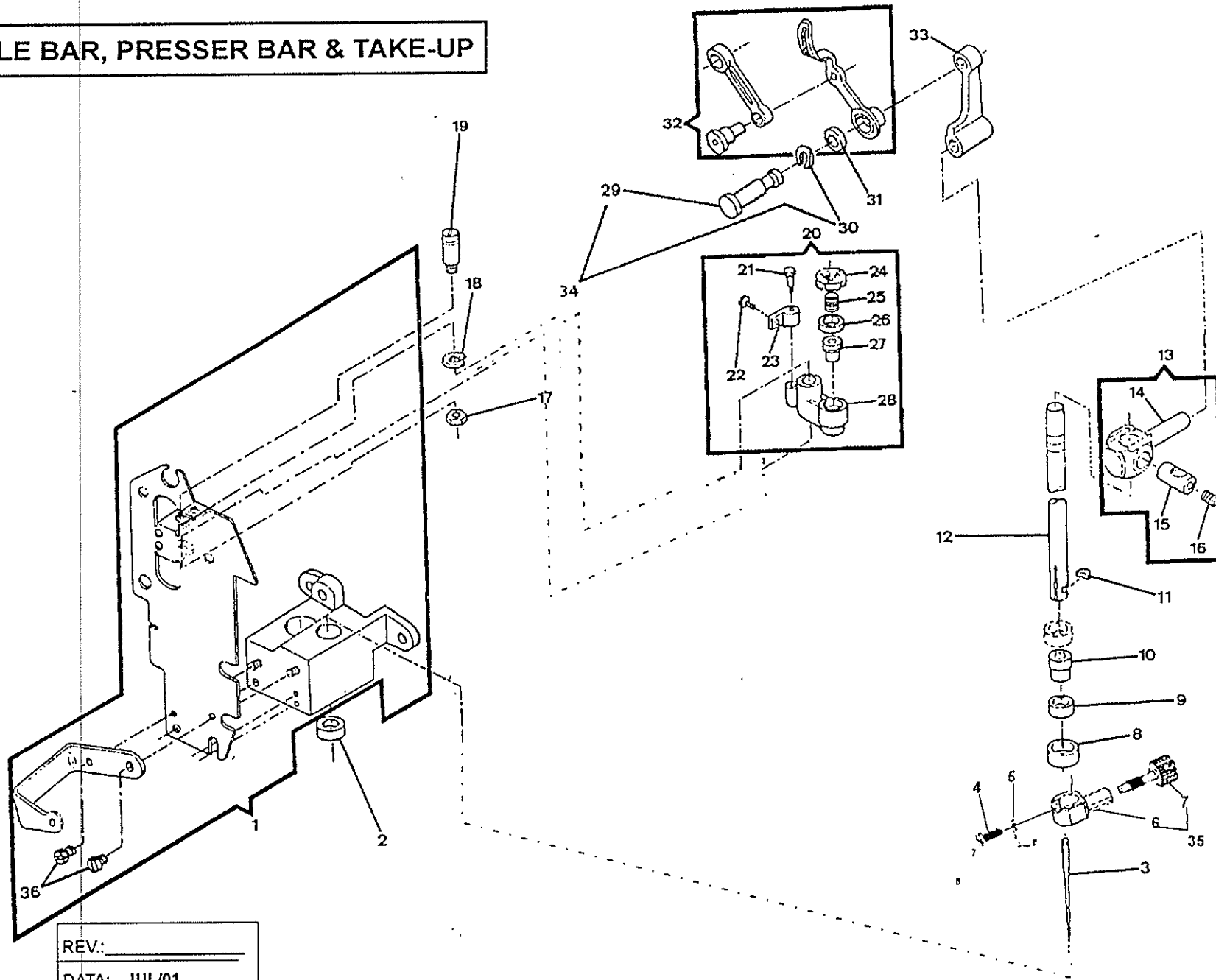
COVERS AND ADD-ONS

2 5 5 5
 5 8 8 8
 1 0 0 1
 7 2 5 0

REF.	PART NUMBER	DESCRIPTION	7	2	5	0
1	113455-001	BED (BOTTOM) COVER FASTENING SCREW	X	X	X	X
2	514608	BED (BOTTOM) COVER FASTENING NUT	X	X	X	X
3	353587-454	BED (BOTTOM) COVER (PLASTIC)	X	X	X	X
4	446493-453	BED (TUBULAR) BOTTOM COVER (PLASTIC)	X	X	X	X
5	354895-453	BED (TUBULAR) BOTTOM COVER FASTENING SCREW	X	X	X	X
6	356027-452	BED EXTENSION PLATE (PLASTIC)	X	X	X	X
7	356953-XXX	ARM END COVER	X	X	X	X
8	364063-451	ARM END COVER SCREW	X	X	X	X
9	354133-453	FACE PLATE SCREW	X	X	X	X
10	356806-452	FACE PLATE COMPLETE (WITHOUT GRILLE)	X	X	X	X
10	356879-452	FACE PLATE COMPLETE (WITH GRILLE)	-	X	X	X

NOTE: PLEASE WHEN NEED THE PART NUMBER (-----XXX), INDICATE THE MACHINE MODEL WHERE WILL BE USED.

NEEDLE BAR, PRESSER BAR & TAKE-UP



REV: _____
DATA: JUL/01 _____

PARTS LIST

NEEDLE BAR, PRESSER BAR AND THREAD TAKE-UP

2	5	5	5
5	8	8	8
1	0	0	1
7	2	5	0

REF.	PART NUMBER	DESCRIPTION	2	5	5	5
1	357360	NEEDLE BAR, PRESSER BAR & VIBRATING BRACKET HOUSING COMPL.	X	X	X	X
2	44450	NEEDLE BAR BALL BUSHING (LOWER) SOCKET (UPPER)	X	X	X	X
3	204514-100	NEEDLE (SIZE No. 14)	X	X	X	X
4	141920-455	NEEDLE CLAMP BODY, NEEDLE CLAMP THREAD GUIDE & N. STOP SCREW	X	X	X	X
5	357421	NEEDLE CLAMP THREAD GUIDE	X	X	X	X
6	357429	NEEDLE CLAMP BODY	X	X	X	X
7	355248-451	NEEDLE THUMB SCREW	X	X	X	X
8	446361-001	NEEDLE BAR BALL BUSHING (LOWER) ADJUSTING COLLAR	X	X	X	X
9	507379	NEEDLE BAR BALL BUSHING (LOWER) SOCKET	X	X	X	X
10	446355-001	NEEDLE BAR BALL BUSHING (LOWER)	X	X	X	X
11	37943	NEEDLE BAR GIB	X	X	X	X
12	445793	NEEDLE BAR	X	X	X	X
13	353549-940	NEEDLE BAR CONNECTING STUD WITH HINGE PIN	X	X	X	X
14	353549	NEEDLE BAR CONNECTING STUD	X	X	X	X
15	37931	NEEDLE BAR CONNECTING STUD HINGE PIN	X	X	X	X
16	141916-833	NEEDLE BAR CLAMP SCREW	X	X	X	X
17	357093-451	NEEDLE BAR VIBRATING BRACKET HINGE PIN NUT	X	X	X	X
18	445721	NEEDLE BAR VIBRATING BRACKET HINGE PIN RETAINING RING	X	X	X	X
19	446359	NEEDLE BAR VIBRATING BRACKET HINGE PIN	X	X	X	X
20	353520-001	NEEDLE BAR VIBRATING BRACKET COMPLETE	X	X	X	X
21	37935	NEEDLE BAR DRIVING ARM HINGE BRACKET HINGE PIN	X	X	X	X
22	354826-451	NEEDLE BAR DRIVING ARM HINGE BRACKET SCREW	X	X	X	X
23	446190	NEEDLE BAR DRIVING ARM HINGE BRACKET	X	X	X	X
24	353522-001	NEEDLE BAR BALL BUSHING (UPPER) RETAINING RING	X	X	X	X
25	357616	NEEDLE BAR BUSHING (UPPER) SOCKET SPRING	X	X	X	X
26	357615	NEEDLE BAR BALL BUSHING (UPPER) SOCKET	X	X	X	X
27	446355-001	NEEDLE BAR BALL BUSHING (UPPER)	X	X	X	X
28	353521	NEEDLE BAR VIBRATING BRACKET	X	X	X	X

2517C, 5802C, 5805C, 5810C

P/N 357596-001

Adopt.
June, 2001

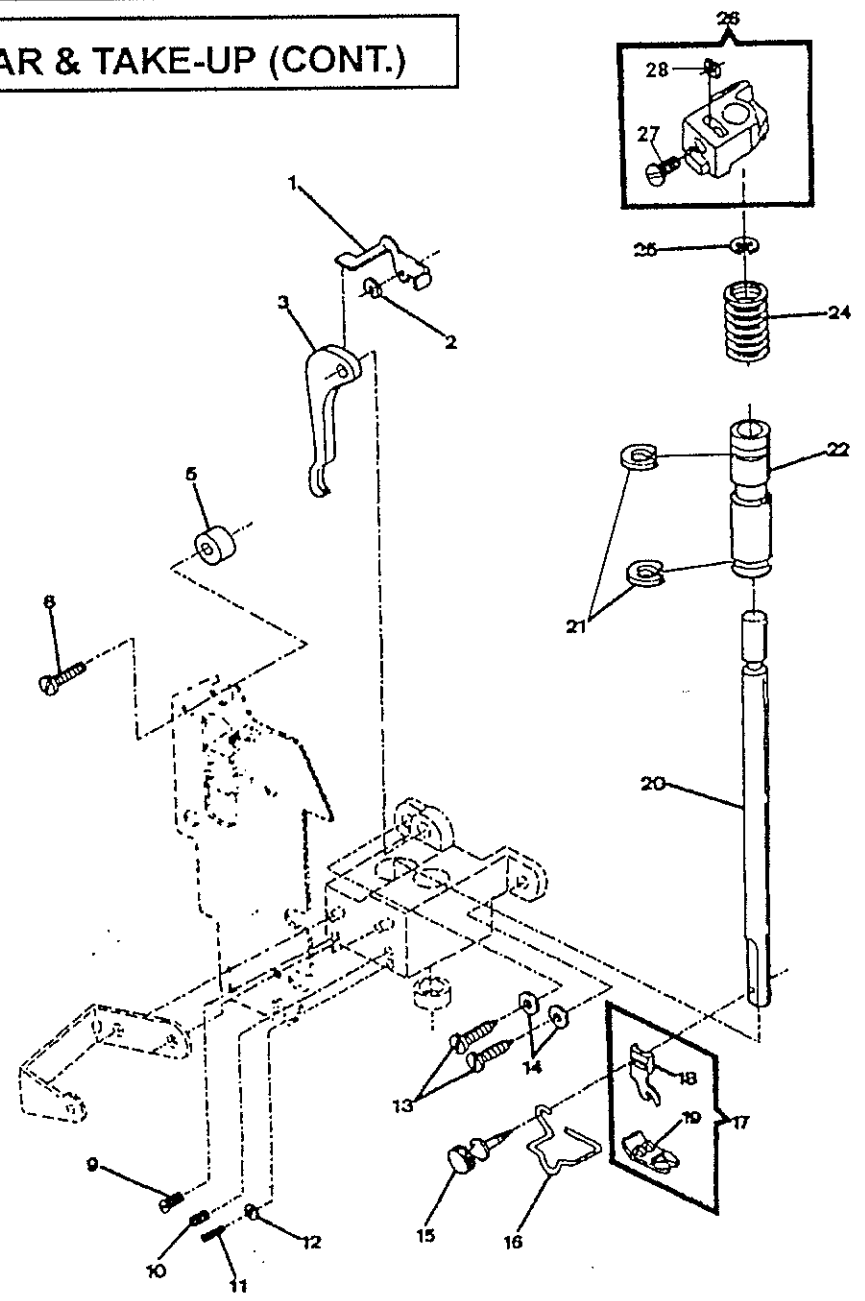
PARTS LIST

NEEDLE BAR, PRESSER BAR & THREAD TAKE-UP (CONT.)

2	5	5	5
5	8	8	8
1	0	0	1
7	2	5	0

REF.	PART NUMBER	DESCRIPTION	2	5	5	5
29	357788	THREAD TAKE-UP STUD	X	X	X	X
30	445486	THREAD TAKE-UP STUD RETAINING RING	X	X	X	X
31	543531	THREAD TAKE-UP STUD THRUST WASHER	X	X	X	X
32	445672	THREAD TAKE-UP LEVER ASSEMBLY	X	X	X	X
X 33	446457	NEEDLE BAR CONNECTING LINK 446351000	X	X	X	X X
34	446261	THREAD TAKE-UP STUD WITH RETAINING RING	X	X	X	X
35	357430 ⁰⁰	NEEDLE CLAMP BODY WITH SCREW	X	X	X	X
36	113480-451	NEEDLE BAR, PRESSER BAR & VIBRATING BRACKET HOUSING				
		PLATE MOUNTING SCREW	X	X	X	X

NEEDLE BAR, PRESSER BAR & TAKE-UP (CONT.)



REV: _____
DATA: JUL/01

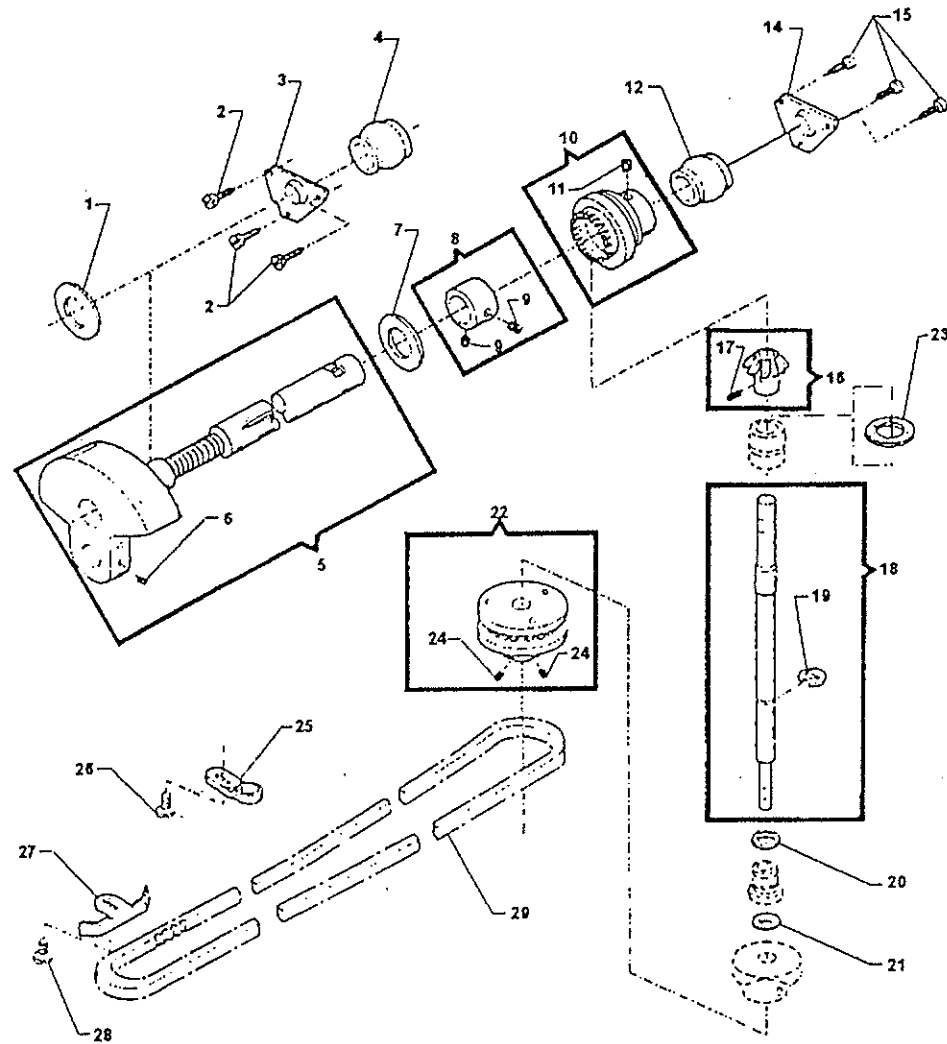
PARTS LIST

NEEDLE BAR, PRESSER BAR & THREAD TAKE-UP

2	5	5	5
5	8	8	8
1	0	0	1
7	2	5	0

REF.	PART NUMBER	DESCRIPTION	2	5	5	5
1	445925	TENSION RELEASING LEVER	X	X	X	X
2	445486	TENSION RELEASING LEVER RETAINING RING	X	X	X	X
3	356170-451	PRESSER BAR LIFTER	X	X	X	X
5	531627	NEEDLE BAR, PRES. BAR & VIBRATING BRAC. HOUSING MOUNT. BUSHING	X	X	X	X
6	113455-009	NEEDLE BAR & PRESSER BAR VIBRATING BRACKET HOUSING MOUNTING	X	X	X	X
9	354906-451	NEEDLE BAR BALL BUSHING (LOWER) ADJUSTING COLLAR SET SCREW	X	X	X	X
10	355279-451	PRESSER BAR BALL BUSHING SET SCREW	X	X	X	X
11	354993-451	NEEDLE BAR OVER THROW SET SCREW	X	X	X	X
12	54591-451	NEEDLE BAR OVER THROW SET SCREW NUT	X	X	X	X
13	113434-451	NEEDLE BAR, PRESSER BAR & VIBRATING BRACKET HOUSING MOUNTING SCREW (LOWER)	X	X	X	X
14	353375-451	NEEDLE BAR, PRESSER BAR & VIBRATING BRACKET HOUSING MOUNTING SCREW (LOWER) WASHER	X	X	X	X
15	354135-452	PRESSER FOOT THUMB SCREW	X	X	X	X
16	116863 000	FINGER GUARD (FOR EUROPE ONLY)	X	X	X	X
17	446372	PRESSER FOOT (SNAP-ON) COMPLETE FOR ZIG-ZAG SEWING	X	X	X	X
18	155964	PRESSER FOOT SHANK (SNAP-ON)	X	X	X	X
19	446371 000	PRESSER FOOT PLATE (SNAP-ON) FOR ZIG-ZAG	X	X	X	X
20	357602	PRESSER BAR	X	X	X	X
21	357604	PRESSER BAR BUSHING LOCATOR RING	X	X	X	X
22	445947-001	PRESSER BAR BUSHING	X	X	X	X
24	357362	PRESSER BAR SPRING	X	X	X	X
25	353215	PRESSER BAR SPRING RETAINING RING	X	X	X	X
26	357363	PRESSER BAR GUIDE BRACKET ASSEMBLY	X	X	X	X
27	355279-451	PRESSER BAR GUIDE BRACKET SET SCREW	X	X	X	X
28	353367-451	PRESSER BAR GUIDE BRACKET SET SCREW NUT	X	X	X	X

ARM SHAFT DRIVE



REV: _____
DATA: JUL/01

PARTS LIST

ARM SHAFT DRIVE

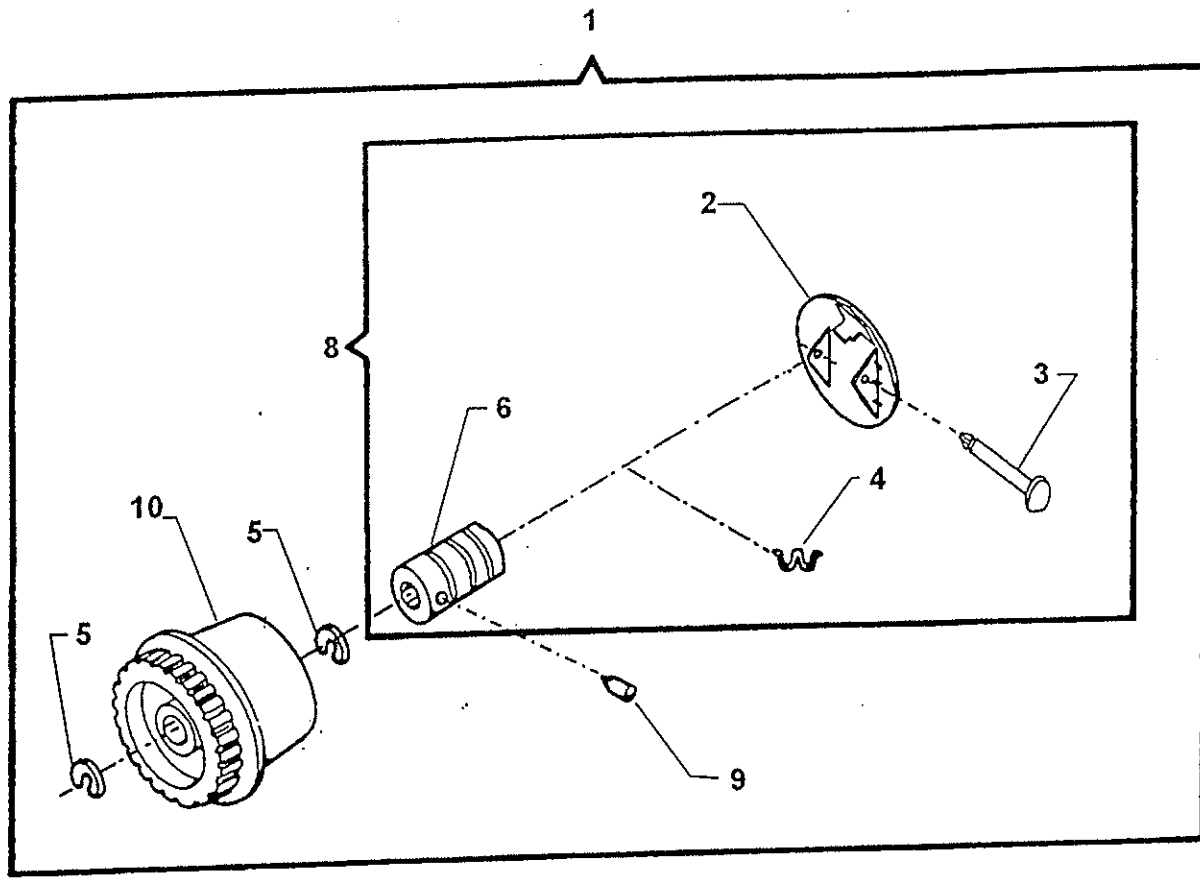
REF.	PART NUMBER	DESCRIPTION	2	5	5	5
			5	8	8	8
			1	0	0	1
			7	2	5	0
1	319764	ARM SHAFT (HORIZONTAL) RETAINING COLLAR WASHER	X	X	X	X
2	113455-001	ARM SHAFT BUSHING (FRONT) RETAINING BRACKET SCREW	X	X	X	X
3	446385	ARM SHAFT BUSHING (FRONT) RETAINING PLATE	X	X	X	X
4	446384	ARM SHAFT BUSHING (FRONT)	X	X	X	X
5	531684	ARM SHAFT (HORIZONTAL) COMPLETE	X	X	X	X
6	354105-833	NEEDLE BAR CRANK POSITION SET SCREW	X	X	X	X
7	319764	ARM SHAFT (HORIZONTAL) RETAINING COLLAR WASHER	X	X	X	X
8	353580	ARM SHAFT (HORIZONTAL) RETAINING COLLAR WITH SCREW	X	X	X	X
9	113500-451	ARM SHAFT (HORIZONTAL) RETAINING COLLAR SET SCREW	X	X	X	X
10	353272	ARM SHAFT (HORIZONTAL) BEVEL GEAR & FEED LIFTING ECC.	X	X	X	X
11	354813-451	ARM SHAFT (HORIZONTAL) BEVEL GEAR & FEED LIFTING ECCENTRIC SET	X	X	X	X
12	446384	ARM SHAFT BUSHING	X	X	X	X
14	446385	ARM SHAFT BUSHING RETAINING BRACKET	X	X	X	X
15	113455-001	ARM SHAFT BUSHING RETAINING BRACKET SCREW	X	X	X	X
16	353273-002	ARM SHAFT BEVEL GEAR (UPRIGHT) SET SCREW	X	X	X	X
17	354105-833	ARM SHAFT (UPRIGHT) BEVEL GEAR SET SCREW	X	X	X	X
18	179952-002	ARM SHAFT (UPRIGHT) ASSEMBLY	X	X	X	X
19	353215	ARM SHAFT (UPRIGHT) RETAINING RING	X	X	X	X
20	353394	ARM SHAFT (UPRIGHT) RETAINING RING WASHER	X	X	X	X
21	319826	ARM SHAFT (UPRIGHT) BELT DRIVE PULLEY WASHER	X	X	X	X
22	353438-001	ARM SHAFT (UPRIGHT) BELT DRIVE PULLEY ASSEMBLY COMPLETE	X	X	X	X
23	356819	ARM SHAFT (UPRIGHT) BELT WASHER	X	X	X	X
24	354906-451	ARM SHAFT (UPRIGHT) BELT DRIVE PULLEY RETAINING COLLAR SET SCRI	X	X	X	X
25	357461	ROTATING HOOK DRIVE BELT TENSION ADJUSTER	X	X	X	X
26	113453-003	ROTATING HOOK DRIVE BELT TENSIONER SCREW	X	X	X	X
27	446376	BELT RETAINER (LEFT)	X	X	X	X
28	113455-01	BELT RETAINER (LEFT) SCREW	X	X	X	X
29	446237	BELT (ROTATING HOOK DRIVE)	X	X	X	X
30	353413	ARM SHAFT (HORIZONTAL) BEVEL GEAR & FEED LIFTING ECCENTRIC WASHER(PLASTIC)	X	X	X	X

2517C, 5802C, 5805C, 5810C

P/N 357596-001

Adopt.
June, 2001

HAND WHEEL



REV: _____
DATA: JUL/01

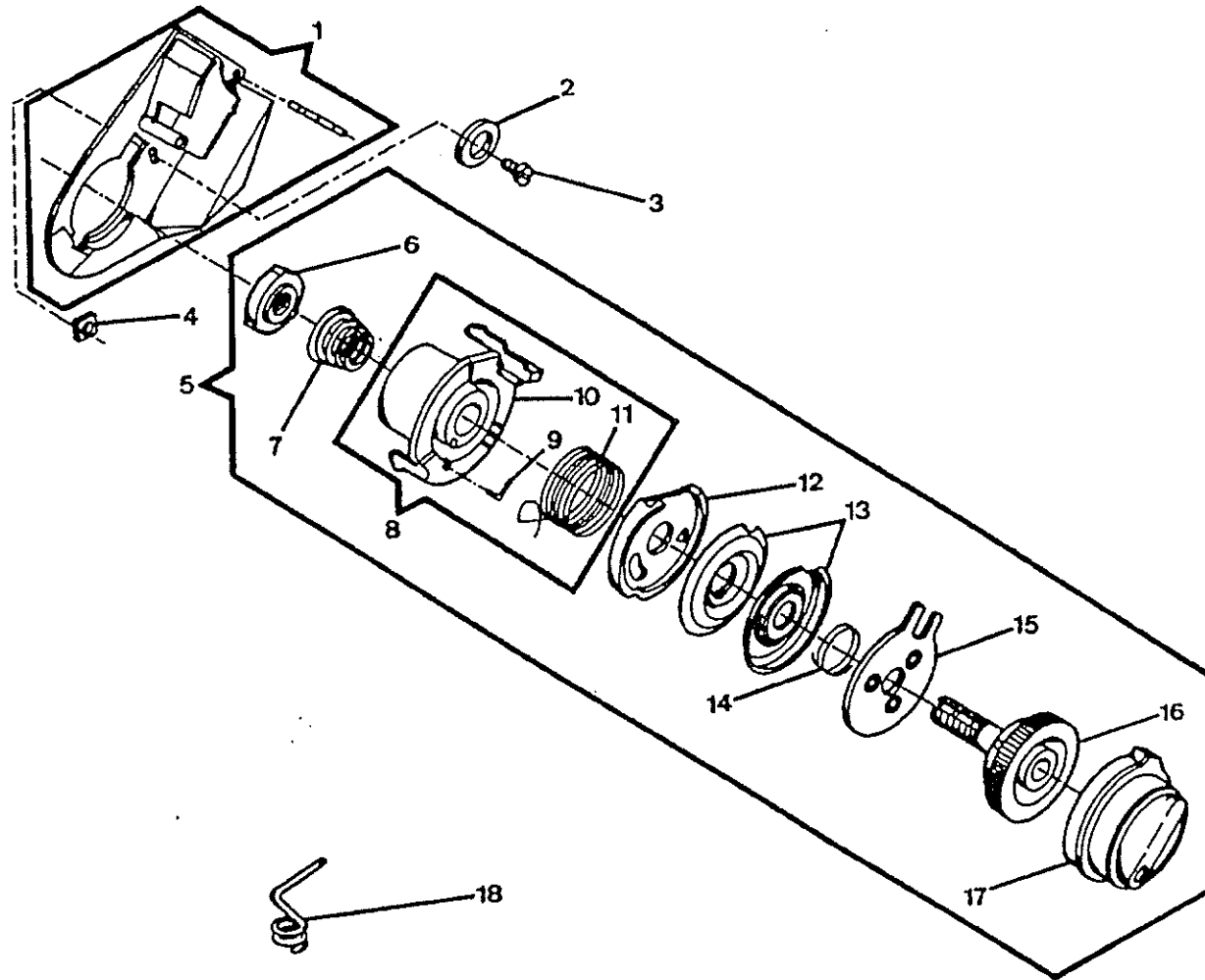
PARTS LIST

HAND WHEEL

2	5	5	5
5	8	8	8
1	0	0	1
7	2	5	0

REF.	PART NUMBER	DESCRIPTION	2	5	5	5
1	357009-451	HAND WHEEL (PLASTIC) COMPLETE	X	X	X	X
2	357367-901	HAND WHEEL DISENGAGING CLUTCH ENGAGING PLATE COVER	X	X	X	X
3	357364	HAND WHEEL DISENGAGING CLUTCH ENGAGING PLATE HINGE PIN	X	X	X	X
4	357365	HAND WHEEL DISENGAGING CLUTCH ACTUATING SPRING	X	X	X	X
5	446387	HAND WHEEL RETAINING RING (TREADLE / ELECTRIC)	X	X	X	X
6	357359	HAND WHEEL DISENGAGING CLUTCH BUSHING	X	X	X	X
8	357368-452	HAND WHEEL DISENGAGING CLUTCH BUSHING COMPLETE	X	X	X	X
9	354813-451	HAND WHEEL DISENGAGING CLUTCH BUSHING SCREW	X	X	X	X
10	356958-451	HAND WHEEL (PLASTIC)	X	X	X	X

TENSION MECHANISM



REV: _____
DATA: JUL/01 _____

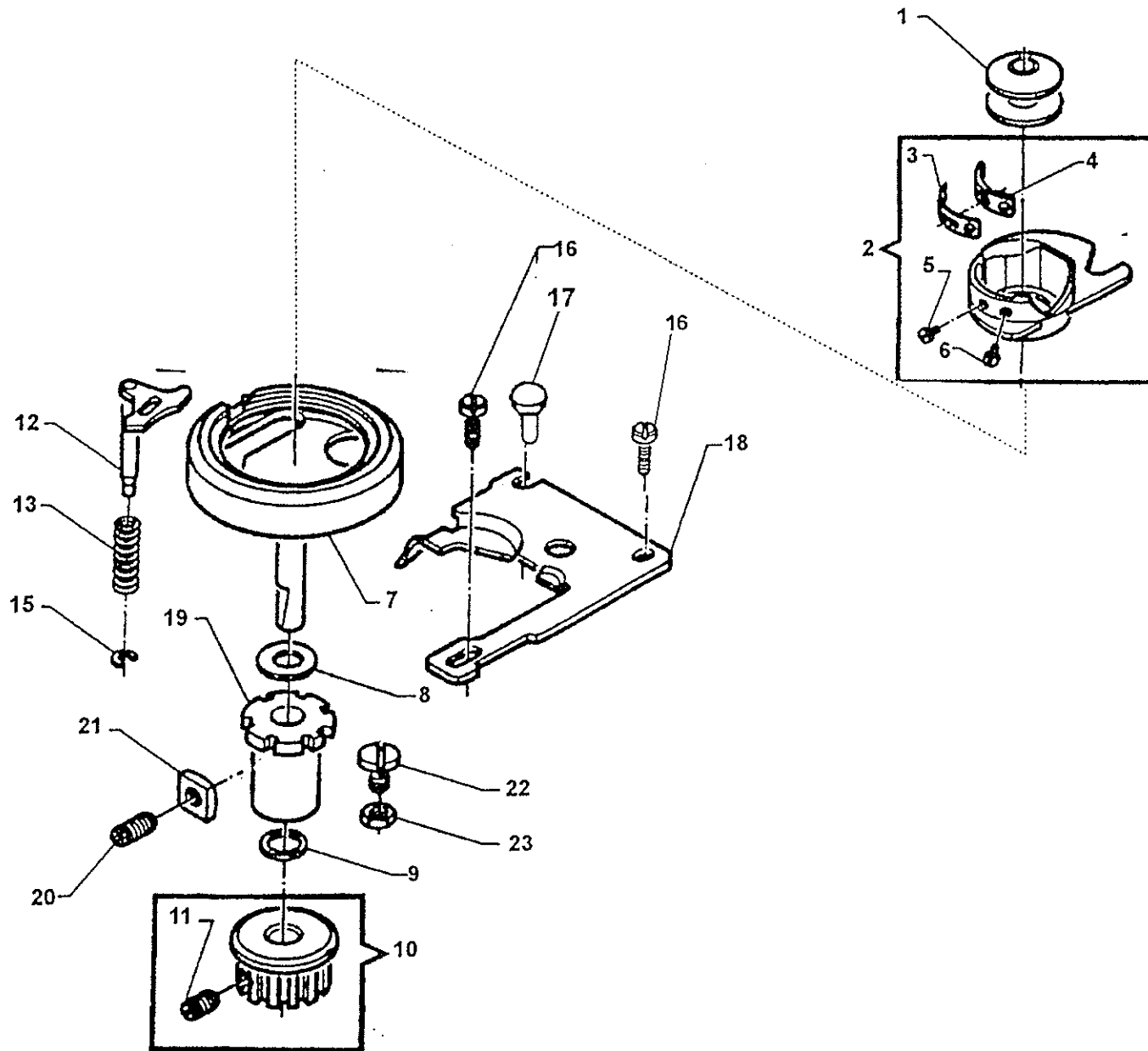
PARTS LIST

TENSION MECHANISM

2 5 5 5
 5 8 8 8
 1 0 0 1
 7 2 5 0

REF.	PART NUMBER	DESCRIPTION	2	5	5	5
1	356040-452	TENSION MECHANISM SHROUDER ASSEMBLY	X	X	X	X
2	356443	TENSION MECHANISM SHROUDER SCREW WASHER	X	X	X	X
3	141808-457	TENSION THREAD GUIDE SCREW	X	X	X	X
4	514698-451	TENSION THREAD GUIDE SCREW NUT	X	X	X	X
5	356088-457	TENSION MECHANISM ASSEMBLY	X	X	X	X
6	356095	TENSION STUD NUT	X	X	X	X
7	356096	TENSION SPRING	X	X	X	X
8	356245	TENSION MECHANISM SUPPORT ASSEMBLY	X	X	X	X
9	356246-900	TENSION MECHANISM SUPPORT PIN	X	X	X	X
10	356089	TENSION MECHANISM SUPPORT	X	X	X	X
11	356097000	THREAD TAKE-UP SPRING	X	X	X	X
12	356091	THREAD TAKE-UP SPRING THREAD GUARD	X	X	X	X
13	356094	TENSION DISC	X	X	X	X
14	356216	TENSION DISC PRESSURE PLATE SPRING	X	X	X	X
15	356177	TENSION DISC PRESSURE PLATE	X	X	X	X
16	356092-451	TENSION INDICATOR WITH STUD	X	X	X	X
17	356090-457	TENSION INDICATOR DIAL	X	X	X	X
18	445784	THREAD GUIDE (LOWER)	X	X	X	X

HOOK SYSTEM



REV: _____
DATA: JUL/01

PARTS LIST

HOOK SYSTEM

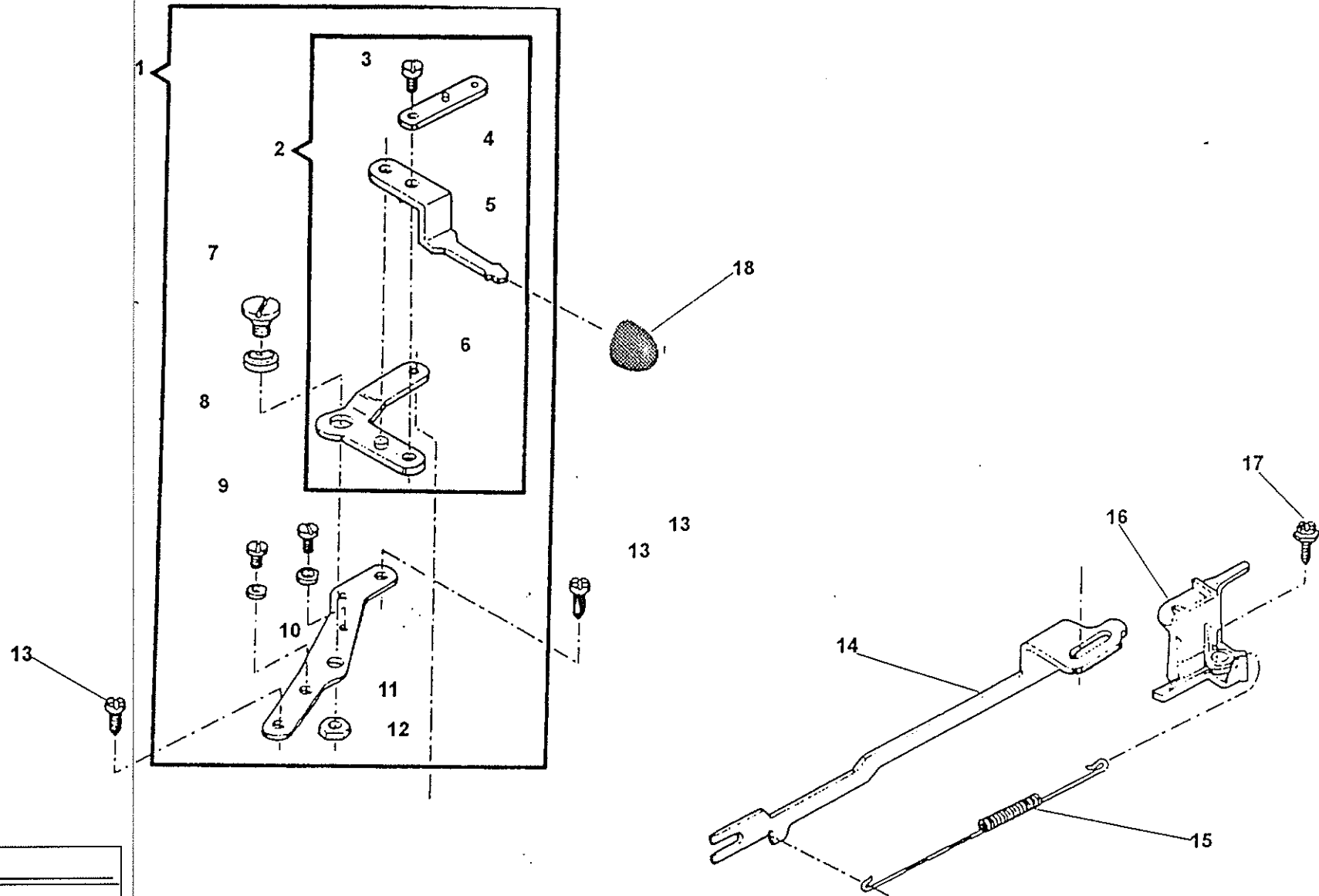
2 5 5 5
 5 8 8 8
 1 0 0 1
 7 2 5 0

REF.	PART NUMBER	DESCRIPTION	2	5	5	5
1	172336	ROTATING HOOK BOBBIN (PLASTIC)	X	X	X	X
2	421325	ROTATING HOOK BOBBIN CASE COMPLETE	X	X	X	X
3	314715	ROTATING HOOK BOBBIN CASE TENSION SPRING	X	X	X	X
4	356490-451	ROTATING HOOK BOBBIN CASE TENSION SPRING SEGMENT	X	X	X	X
5	355254-451	ROTATING HOOK BOBBIN CASE TENSION REGULATING SCREW	X	X	X	X
6	139975-452	ROTATING HOOK BOBBIN CASE TENSION SPRING SEG.SCREW	X	X	X	X
7	353366	ROTATING HOOK COMPLETE	X	X	X	X
8	353453	ROTATING HOOK WEAR WASHER	X	X	X	X
9	382861-906	ROTATING HOOK BELT DRIVE PULLEY WASHER	X	X	X	X
10	446235	ROTATING HOOK BELT DRIVE PULLEY COMPLETE	X	X	X	X
11	141803-451	ROTATING HOOK BELT DRIVE PULLEY SCREW	X	X	X	X
12	353511	ROTATING HOOK BOBBIN CASE RETAINING PLATE ASSEMBLY	X	X	X	X
13	44892	ROTATING HOOK BOBBIN CASE RETAINING PLATE STUD SPRING	X	X	X	X
15	446417	ROTATING HOOK BOBBIN CASE RETANING PLATE RING	X	X	X	X
16	354917-451	ROTATING HOOK BOBBIN CASE POSITION PLATE SCREW	X	X	X	X
17	357349-451	ROTATING HOOK BOBBIN CASE RETAINING PLATE (ADJUSTABLE & POSITION PLATE) STUD	X	X	X	X
18	44873-001	ROTATING HOOK BOBBIN CASE POSITION PLATE	X	X	X	X
19	353410-900	ROTATING HOOK BUSHING	X	X	X	X
20	141938-833	ROTATING HOOK BUSHING SET SCREW	X	X	X	X
21	353367-451	ROTATING HOOK BUSHING SET SCREW NUT	X	X	X	X
22	141844-451	ROTATING HOOK BUSHING ADJUSTING SCREW	X	X	X	X
23	618638-005	ROTATING HOOK BUSHING ADJUSTING SCREW NUT	X	X	X	X

2517C, 5802C, 5805C, 5810C
 P/N 357596-001

Adopt.
 June, 2001

BIGHT AMPLITUDE



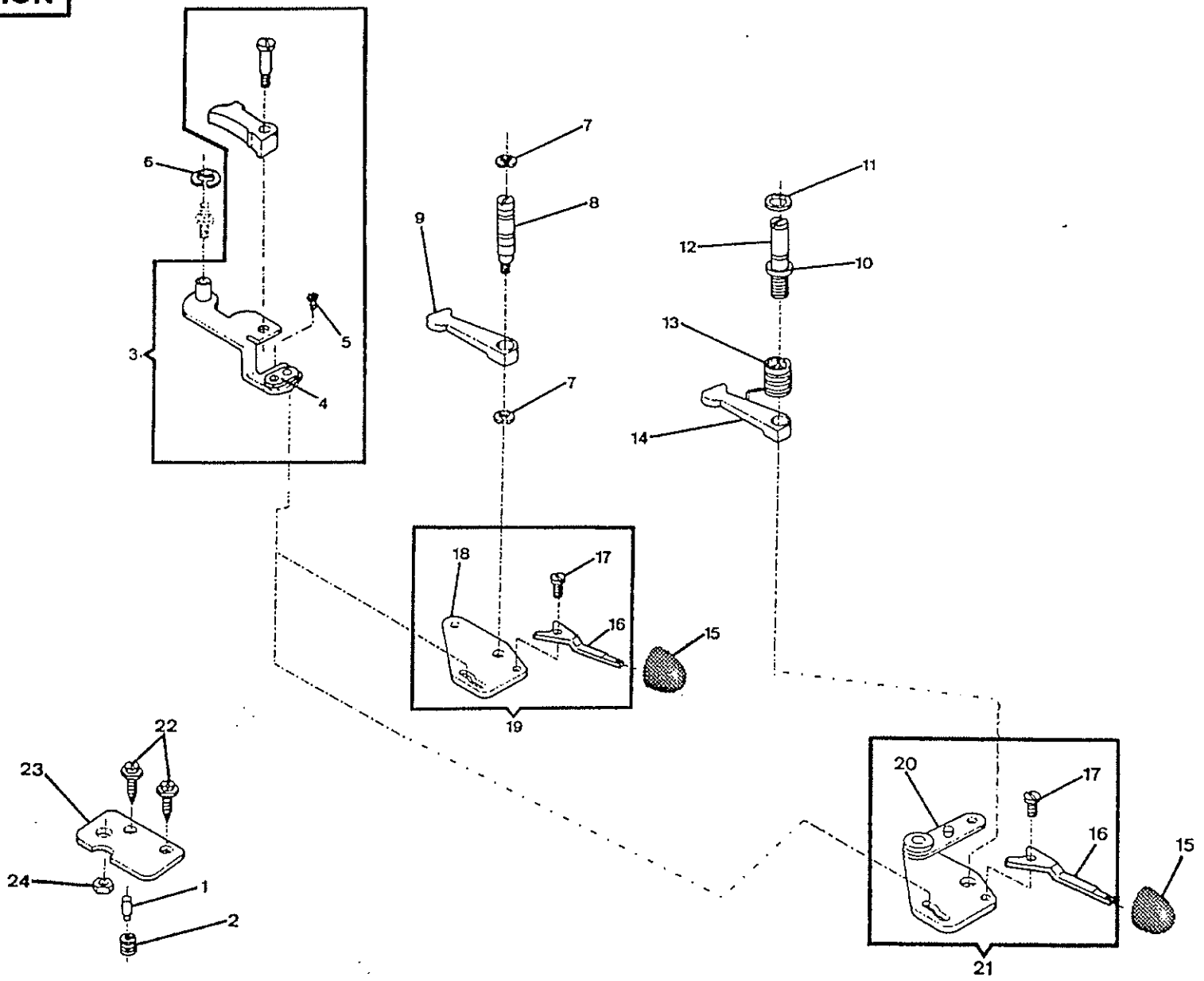
REV: _____
DATA: JUL/01

PARTS LIST

BIGHT AMPLITUDE

REF.	PART NUMBER	DESCRIPTION	2	5	5	5
			5	8	8	8
			1	0	0	1
			7	2	5	0
1	356057	BIGHT AMPLITUDE CONTROL LEVER MOUNTING BRACKET COMPLETE	X	X	-	-
1	356113	BIGHT AMPLITUDE CONTROL LEVER MOUNTING BRACKET COMPLETE	-	-	X	X
2	356058	BIGHT AMPLITUDE CONTROL LEVER SUB-ASSEMBLY	X	X	-	-
2	356114	BIGHT AMPLITUDE CONTROL LEVER SUB-ASSEMBLY	-	-	X	X
3	141913-451	BIGHT AMPLITUDE CONTROL LEVER SCREW	X	X	-	-
3	139866-451	BIGHT AMPLITUDE CONTROL LEVER SCREW	-	-	X	X
4	44556	BUTTONHOLER BIGHT CONTROL CAM FOLLOWER LEVER LINK (LEFT)	-	-	X	X
5	356061	BIGHT AMPLITUDE CONTROL LEVER	X	X	X	X
6	37246	BIGHT AMPLITUDE CONTROL LEVER LINK	X	X	X	X
7	354825-451	BIGHT AMPLITUDE CONTROL LEVER LINK HINGE SCREW	X	X	X	X
8	49204	BIGHT AMPLITUDE CONTROL LEVER LINK HINGE SCREW FRICTION WASHI	X	X	X	X
9	141913-451	BIGHT AMPLITUDE CONTROL LEVER LINK STOP SCREW	X	X	X	X
10	446904	BIGHT AMPLITUDE CONTROL LEVER LINK STOP	X	X	X	X
11	531793	BIGHT AMPLITUDE CONTROL LEVER MOUNTING BRACKET	X	X	X	X
12	54591-451	BIGHT AMPLITUDE CONTROL LEVER LINK HINGE SCREW NUT	X	X	X	X
13	113455-001	BIGHT AMPLITUDE CONTROL LEVER MOUNTING BRACKET SCREW	X	X	X	X
14	37933-002	NEEDLE BAR DRIVING ARM	X	X	X	X
15	37942	NEEDLE BAR DRIVING ARM TENSION SPRING	X	X	X	X
16	445780	LIGHT LEAD SHIELD & N. BAR DRIV. ARM TENSION SPRING MOUNT. PLATE	X	X	X	X
17	113455-001	LIGHT LEAD SHIELD & NEEDLE BAR DRIVING ARM TENSION SPRING				
		MOUNTING PLATE SCREW	X	X	X	X
18	357699-900	CONTROL LEVER KNOB	X	X	X	X

NEEDLE POSITION



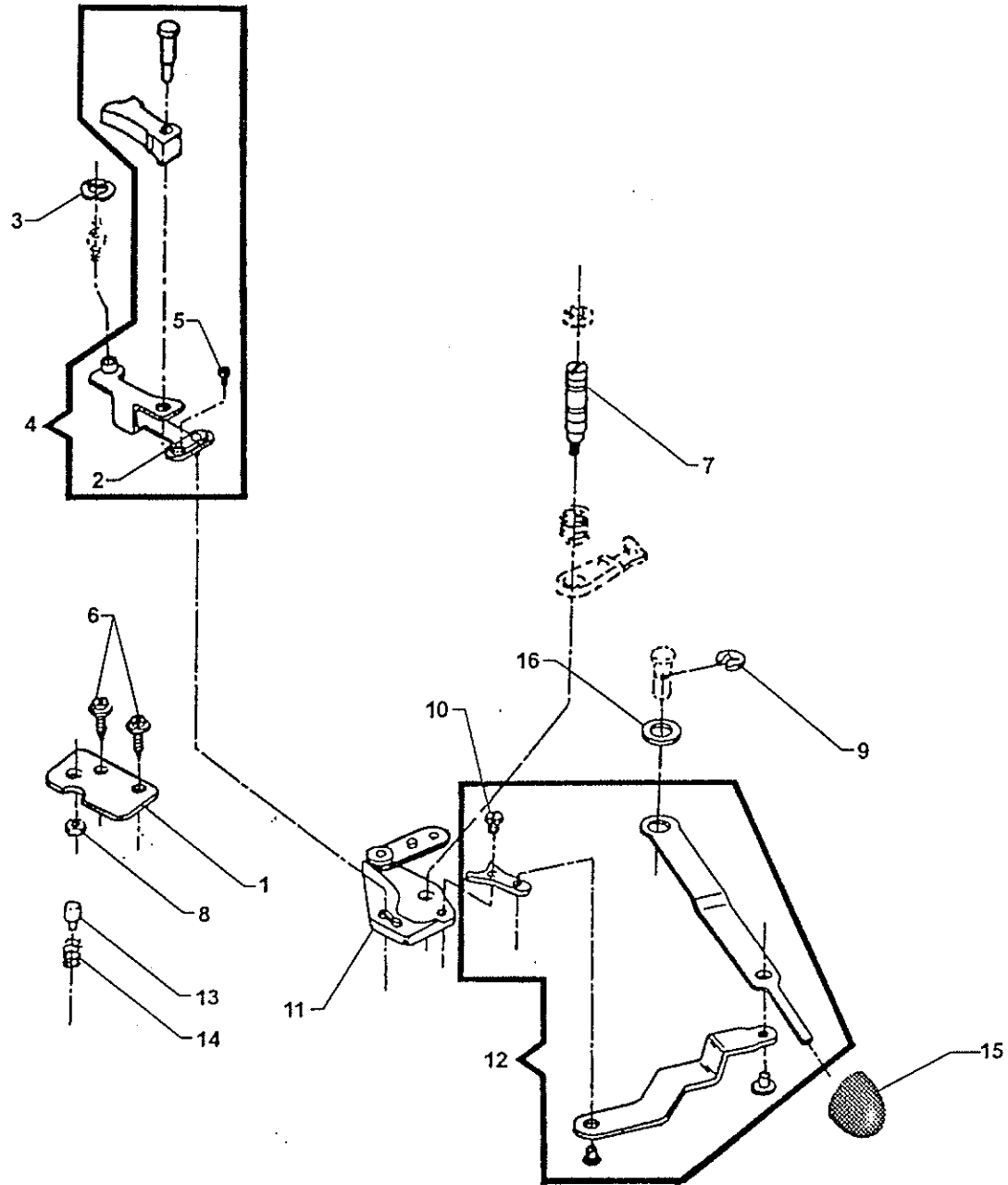
REV: _____
DATA: JUL/01

PARTS LIST

NEEDLE POSITION

REF.	PART NUMBER	DESCRIPTION	2 5 1 7	5 8 0 2	5 8 0 5	5 8 1 0
1	356228	NEEDLE POSITION SELECTOR LEVER BRACKET POSITIONING PIN	X	X	X	X
2	444800	NEEDLE POSITION SELECTOR LEVER BRACKET POSITIONING PIN SPRING	X	X	X	X
3	356636	NEEDLE BAR DRIVING ARM SLIDE BRACKET ASSEMBLY	X	X	X	X
4	531736	NEEDLE POSITION SELECTOR LEVER BRACKET FOLLOWER STUD ARM AS	X	X	X	X
5	141913-451	NEEDLE POSITION LEVER BRACKET STUD ARM SET SCREW	X	X	X	X
6	445721	NEEDLE BAR VIBRATING BRACKET HINGE PIN RETAINING RING	X	X	X	X
7	44371	DISC FOLLOWER STUD RETAINING RING (UPPER & LOWER)	X	X	-	-
8	446023	DISC FOLLOWER STUD	X	X	-	-
9	445646	DISC FOLLOWER	X	X	-	-
10	353585	DISC FOLLOWER STUD COLLAR	-	-	X	X
11	353548	DISC FOLLOWER STUD WASHER	-	-	X	X
12	353584	DISC FOLLOWER STUD	-	-	X	X
13	179897	DISC FOLLOWER SPRING	-	-	X	X
14	446404	DISC FOLLOWER	-	-	X	X
15	357699-900	NEEDLE POSITION SELECTOR LEVER KNOB	X	X	X	X
16	356065	NEEDLE POSITION SELECTOR LEVER	X	X	X	X
17	141913-451	NEEDLE POSITION SELECTOR LEVER SCREW	X	X	X	X
18	353547	NEEDLE POSITION SELECTOR LEVER BRACKET	X	X	-	-
19	356063	NEEDLE POSITION SELECTOR LEVER ASSEMBLY	X	X	-	-
20	44628	NEEDLE POSITION SELECTOR LEVER BRACKET	X	X	X	X
21	356062	NEEDLE POSITION SELECTOR LEVER BRACKET COMPLETE	-	-	X	X
22	113455-001	NEEDLE POSITION SELECTOR LEVER MOUNTING PLATE SCREW	X	X	X	X
23	446401	NEEDLE POSITION SELECTOR LEVER MOUNTING PLATE	X	X	X	X
24	54591-451	DISC FOLLOWER STUD NUT	X	X	X	X

NEEDLE POSITION



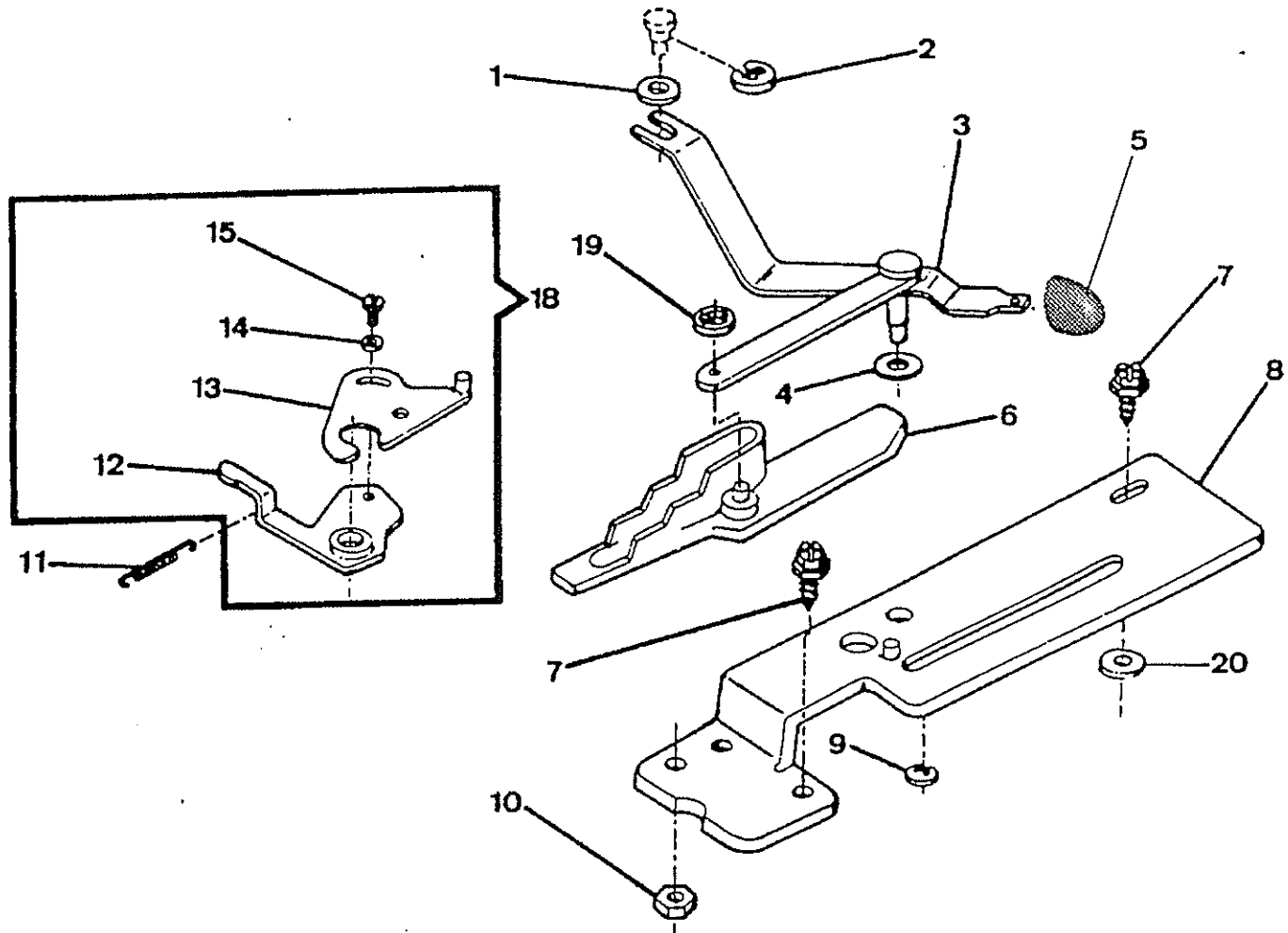
REV: _____
DATA: JUL/01

PARTS LIST

NEEDLE POSITION

REF.	PART NUMBER	DESCRIPTION	2	5	5	5
			5	8	8	8
			1	0	0	1
			7	2	5	0
1	446401	NEEDLE POSITION SELECTOR LEVER ADJUSTING PLATE	X	X	X	X
2	531736	NEEDLE POSITION SELECTOR LEVER BRACKET FOLLOWER STUD ARM AS	X	X	X	X
3	445721	NEEDLE BAR DRIVING ARM SLIDE BRACKET RETAINING RING	X	X	X	X
4	356735-001	NEEDLE BAR DRIVING ARM SLIDE BRACKET COMPLETE	-	-	-	X
5	141913-451	NEEDLE POSITION LEVER BRACKET STUD ARM SET SCREW	X	X	X	X
6	113455-001	NEEDLE POSITION SELECTOR LEVER ADJUSTING PLATE SCREW	X	X	X	X
7	356774-900	DISC FOLLOWER STUD	-	-	-	-
8	54591-451	NEEDLE POSITION SELECTOR LEVER ADJUSTING PLATE SCREW NUT	X	X	X	X
9	445486	NEEDLE POSITION SELECTOR LEVER RETAINING RING	-	-	-	-
10	141913-451	NEEDLE POSITION SELECTOR LEVER SCREW	X	X	X	X
11	44628	NEEDLE POSITION SELECTOR LEVER BRACKET ASSEMBLY	X	X	X	X
12	356812	NEEDLE POSITION SELECTOR LEVER COMPLETE	-	-	-	-
13	356228	NEEDLE POSITION SELECTOR LEVER BRACKET POSITIONING PIN	X	X	X	X
14	444800	NEEDLE POSITION SELECTOR LEVER BRACKET POSITIONING PIN SPRING	X	X	X	X
15	357699-900	NEEDLE POSITION SELECTOR LEVER KNOB	X	X	X	X

DISC SELECTOR ASSEMBLY



REV:
DATA: JUL/01

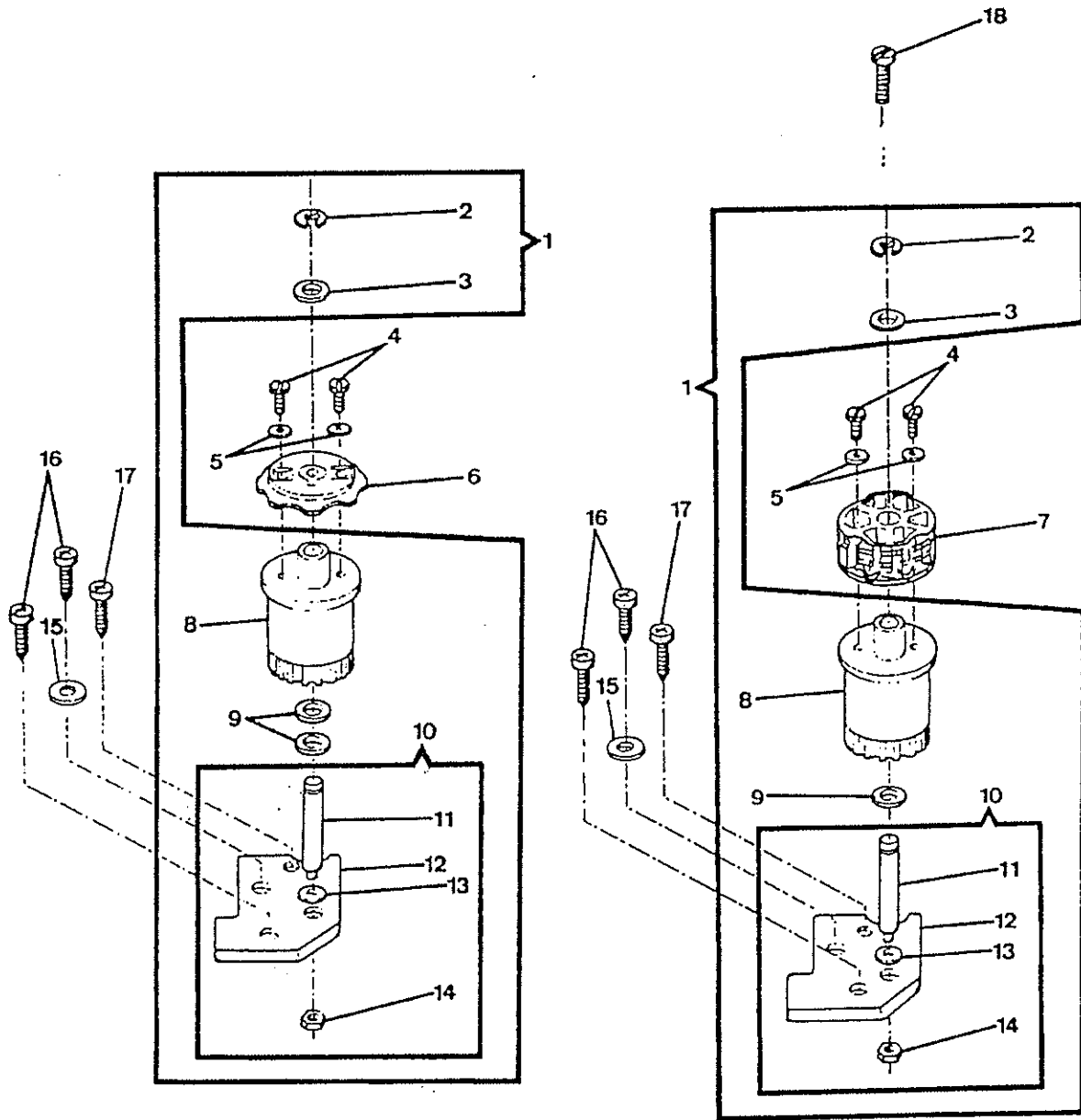
PARTS LIST

DISC SELECTOR ASSEMBLY

2 5 5 5
 5 8 8 8
 1 0 0 1
 7 2 5 0

REF.	PART NUMBER	DESCRIPTION				
1	49204	PATTERN SELECTOR LEVER HINGE STUD WASHER	-	-	X	X
2	445486	PATTERN SELECTOR LEVER RETAINING RING	-	-	X	X
3	356069	PATTERN SELECTOR LEVER COMPLETE	-	-	X	X
4	446138	PATTERN SELECTOR DRIVE STUD WASHER	-	-	X	X
5	357699-900	NEEDLE POSITION SELECTOR LEVER KNOB	-	-	X	X
6	446406	PATTERN SELECTOR CAM SLIDE	-	-	X	X
7	113455-001	PATTERN SELECTOR MOUNTING PLATE SCREW	-	-	X	X
8	446405	PATTERN SELECTOR MOUNTING PLATE COMPLETE	-	-	X	X
9	408030	PATTERN SELECTOR LEVER RETAINING RING	-	-	X	X
10	54591-451	DISC FOLLOWER STUD NUT	-	-	X	X
11	446415	DISC FOLLOWER DISENGAGING LEVER SPRING	-	-	X	X
12	446412	DISC FOLLOWER DISENGAGING LEVER	-	-	X	X
13	446411	DISC FOLLOWER DISENGAGING LEVER PLATE ASSEMBLY	-	-	X	X
14	445808-452	DISC FOLLOWER DISENGAGING LEVER PLATE ADJ. SCREW WASHER	-	-	X	X
15	141913-451	DISC FOLLOWER DISENGAGING LEVER PLATE ADJUSTING SCREW	-	-	X	X
18	446410	DISC FOLLOWER DISENGAGING LEVER PLATE COMPLETE	-	-	X	X
19	446417	PATTERN SELECTOR CAM SLIDE CONNECTING LINK RETAINING RING	-	-	X	X
20	353488-000	PATTERN SELECTOR MOUNTING PLATE SPACER	-	-	X	X

CAM STACK



REV: _____
DATA: JUL/01

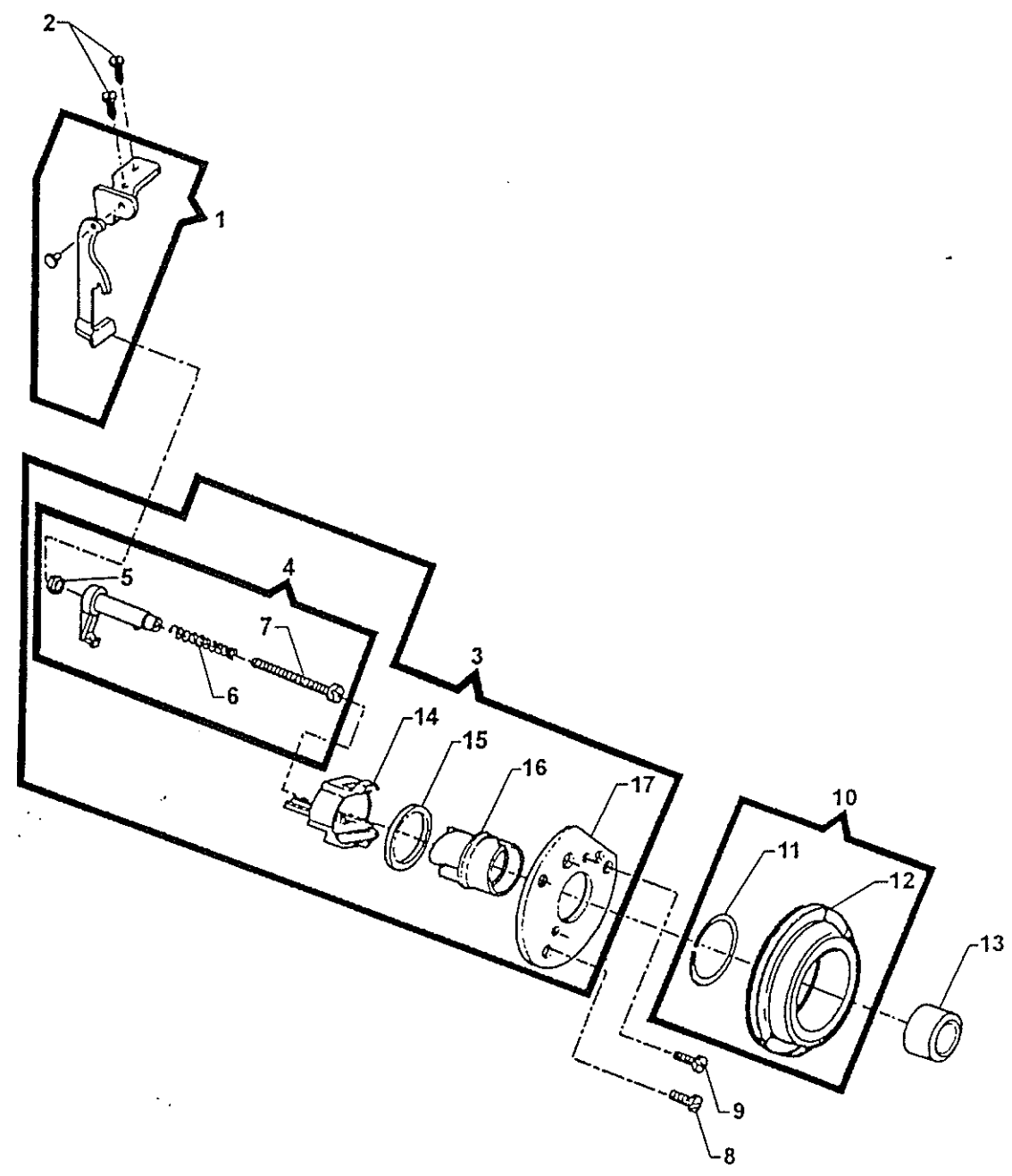
PARTS LIST

CAM STACK

2	5	5	5
5	8	8	8
1	0	0	1
7	2	5	0

REF.	PART NUMBER	DESCRIPTION	2	5	5	5
1	446421-930	DISC DRIVING GEAR COMPLETE	X	X	-	-
1	353288-930	DISC DRIVING GEAR COMPLETE	-	-	X	X
2	444921	DISC DRIVING GEAR RETAINING RING	X	X	X	X
3	444923-453	DISC DRIVING GEAR SHAFT FRICTION WASHER	X	X	X	X
4	113375-451	DISC STACK POSITIONING SCREW	X	X	-	-
4	141920-451	DISC STACK POSITIONING SCREW	-	-	X	X
5	446138	DISC STACK POSITIONING SCREW WASHER	X	X	X	X
6	445762	DISC STACK (PLASTIC)	X	X	-	-
7	353287	DISC STACK	-	-	X	X
7	356740	DISC STACK	-	-	-	-
8	179958	DISC DRIVING GEAR	X	X	-	-
8	445754	DISC DRIVING GEAR	-	-	X	X
8	356741	DISC DRIVING GEAR	-	-	-	-
9	353424	DISC DRIVING GEAR SHAFT SPACER	X	X	X	X
10	446420	DISC DRIVING GEAR SHAFT MOUNTING PLATE ASSEMBLY	X	X	X	X
11	446418	DISC DRIVING GEAR SHAFT	X	X	X	X
11	446418-001	DISC DRIVING GEAR SHAFT	-	-	-	-
11	531743	DISC DRIVING GEAR SHAFT	-	-	-	-
12	353575	DISC DRIVING GEAR SHAFT MOUNTING PLATE	X	X	X	X
13	353488	DISC DRIVING GEAR SHAFT WASHER	X	X	X	X
14	53648-451	DISC DRIVING GEAR SHAFT NUT	X	X	X	X
15	353375-451	DISC DRIVING GEAR SHAFT MOUNTING PLATE SCREW WASHER	X	X	X	X
16	113435-451	DISC DRIVING GEAR SHAFT MOUNTING PLATE SCREW	X	X	X	X
17	113455-001	DISC DRIVING GEAR SHAFT MOUNTING PLATE SCREW	X	X	X	X
18	354654-451	DISC DRIVING GEAR (COMPLETE) SUPPORT MOUNTING SCREW	-	-	-	-

FEED REGULATOR CAM



REV: _____
DATA: JUL/01

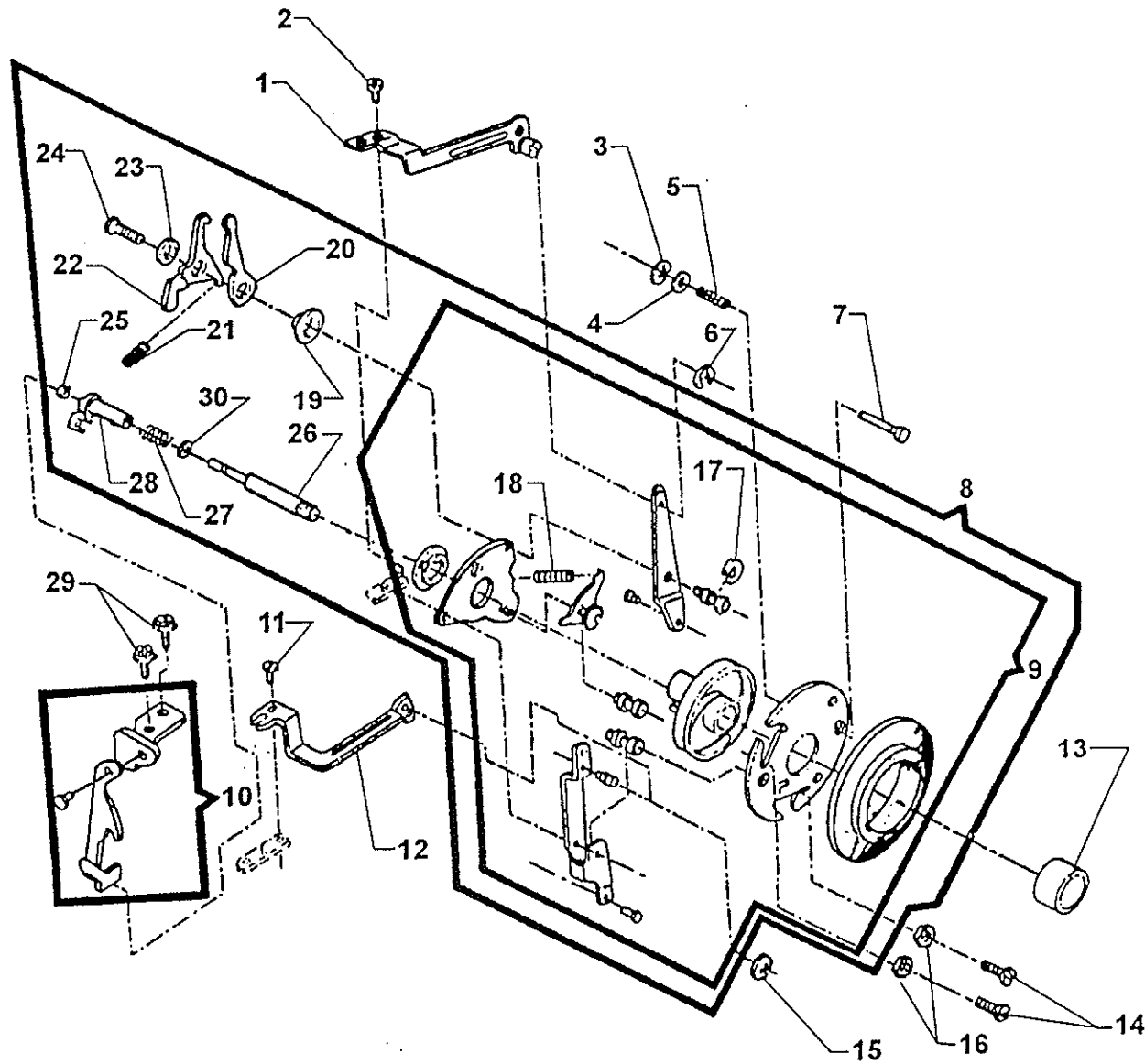
PARTS LIST

FEED REGULATOR CAM

2	5	5	5
5	8	8	8
1	0	0	1
7	2	5	0

REF.	PART NUMBER	DESCRIPTION	2	5	5	5
1	353304	FEED REGULATOR CONTROL ARM ASSEMBLY	X	X	X	X
2	113455-001	FEED REGULATOR CONTROL ARM MOUNTING BRACKET SCREW	X	X	X	X
3	353478	FEED REGULATOR CAM COMPLETE	X	X	-	-
4	356397	FEED REGULATOR CAM FOLLOWER	X	X	-	-
5	618638-005	FEED REGULATOR CAM FOLLOWER POSITIONING SPRING NUT	X	X	X	X
6	44892	FEED REGULATOR CAM FOLLOWER POSITIONING SPRING	X	X	X	X
7	354975-451	FEED REGULATOR CAM FOLLOWER POSITIONING SCREW	X	X	-	-
8	531806-451	FEED REGULATOR MOUNTING PLATE SCREW (RIGHT)	X	X	-	-
9	531807-451	FEED REGULATOR MOUNTING PLATE SCREW (LEFT)	X	X	-	-
10	356998-451	FEED REGULATOR CONTROL DIAL ASSEMBLY	X	X	-	-
11	445461	FEED REGULATOR CONTROL DIAL RETAINING RING	X	X	-	-
12	356997-451	FEED REGULATOR CONTROL DIAL	X	X	-	-
13	356115-452	FEED REGULATOR POSITIONING PIN KNOB	X	X	-	-
14	446284	FEED REGULATOR MOUNTING PLATE	X	X	-	-
15	446282	FEED REGULATOR FRICTION WASHER	X	X	-	-
16	353477	FEED REGULATOR CAM	X	X	-	-
17	446283	FEED REGULATOR MECHANISM MOUNTING PLATE	X	X	-	-

BUTTONHOLER & FEED REGULATOR CAM



REV: _____
DATA: JUL/01

PARTS LIST

BUTTONHOLER & FEED REGULATOR CAM

REF.	PART NUMBER	DESCRIPTION	2	5	5	5
			5	8	8	8
			1	0	0	1
			7	2	5	0
1	353536	BH.NEEDLE POSITION CAM FOLLOWER LEVER LINK (RIGHT)	-	-	X	X
2	141913-451	BH.ND.POS.CAM FOLLOWER LEVER LINK (LEFT & RIGHT) SCREW	-	-	X	X
3	408030	BH.& FEED REGULATOR MECHANISM MTG.PLATE STUD RET.RING	-	-	X	X
4	445808	BH.& FEED REG.MECH.MTG.PLATE STUD SPRING WASHER	-	-	X	X
5	179949	BUTTONHOLER & FEED REG.MECH.MTG.PLATE STUD SPRING	-	-	X	X
6	445486	BH.BIGHT CONTROL CAM FOL.LEVER LINK (RIGHT) RET.RING	-	-	X	X
7	356230	BUTTONHOLER & FEED REGULATOR MECH.MTG.PLATE STUD	-	-	X	X
8	357012-XXX	BUTTONHOLER & FEED REGULATOR CAM COMPLETE	X	X	X	X
X 8-	357010-451	BUTTONHOLER & FEED REGULATOR CAM COMPLETE	-	-	-	X
9	357013-XXX	BUTTONHOLER & FEED REGULATOR CAM ASSEMBLY	X	X	X	X
9	357011-451	BUTTONHOLER & FEED REGULATOR CAM ASSEMBLY	-	-	-	X
10	353304	FEED REGULATOR CONTROL ARM ASSEMBLY	X	X	X	X
11	141913-451	BUT. BIGHT CONT. CAM FOL. LEVER LINK(LEFT & RIGHT)SCREW	-	-	X	X
12	356748	BH.BIGHT CONTROL CAM FOLLOWER LEVER LINK (RIGHT)	-	-	X	X
13	356653-455	FEED REGULATOR POSITIONING PIN KNOB	-	-	X	X
14	113513-451	BUTTONHOLER & FEED REGULATOR MECH.MTG.PLATE SCREW	-	-	X	X
15	445486	BH.RIGHT CONTROL CAM FOL.LEVER LINK (RIGHT) RET.RING	-	-	X	X
16	53640-819	BUTTONHOLER & FEED REG.MECH.MTG.PLATE SCREW NUT	-	-	X	X
17	353215	BUTTONHOLER NEEDLE POS.CAM FOLLOWER LEVER RET.RING	-	-	X	X
18	353495	BUTTONHOLER & FEED REG.CONTROL DIAL PAWL SPRING	-	-	X	X
19	353319	CAM CONTROL FEED ENG.CAM FOLLOWER & LEVER BUSHING	-	-	-	X
20	353321	CAM CONTROL FEED ENGAGING CAM FOLLOWER LEVER	-	-	-	X
21	353495	CAM CONTROL FEED ENG.CAM FOLLOWER & LEVER SPRING	-	-	-	X
22	353320	CAM CONTROL FEED ENGAGING CAM FOLLOWER	-	-	-	X
23	445539	CAM CONTROL FEED ENG.CAM FOLLOWER & LEVER WASHER	-	-	-	X
24	113372-451	CAM CONTROL FD.ENG.CAM FOLLOWER & LEVER MTG.SCREW	-	-	-	X
25	618638-005	FEED REGULATOR POSITIONING PIN CARRIER INSERT NUT	X	X	X	X
26	356650	FEED REGULATOR POSITIONING PIN	-	-	X	X
27	44892	FEED REGULATOR POSITIONING PIN FRICTION SPRING	X	X	X	X
28	357094	FEED REGULATOR POSITIONING PIN CARRIER	-	-	X	X
29	113455-001	FEED REGULATOR CONTROL ARM SCREW	X	X	X	X
30	356830-001	FEED REGULATOR POSITIONING PIN WASHER	-	-	X	X

NOTE: PLEASE WHEN NEED THE PART NUMBER (---XXX), INDICATE THE MACHINE MODEL WHERE WILL BE USED.

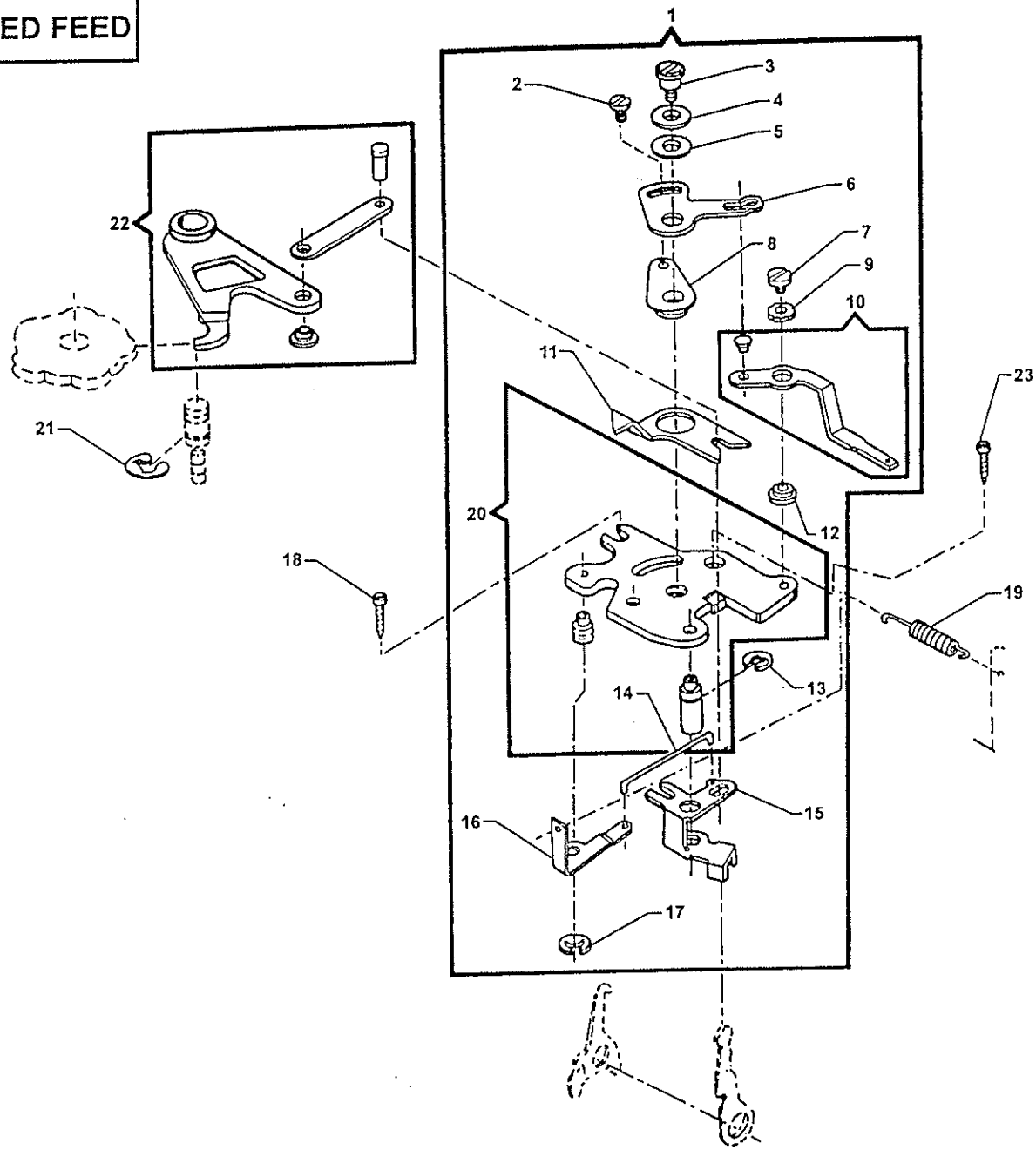
2517C, 5802C, 5805C, 5810C

P/N 357596-001

Adopt.

June, 2001

CAM CONTROLLED FEED



REV: _____
DATE: JUL/01

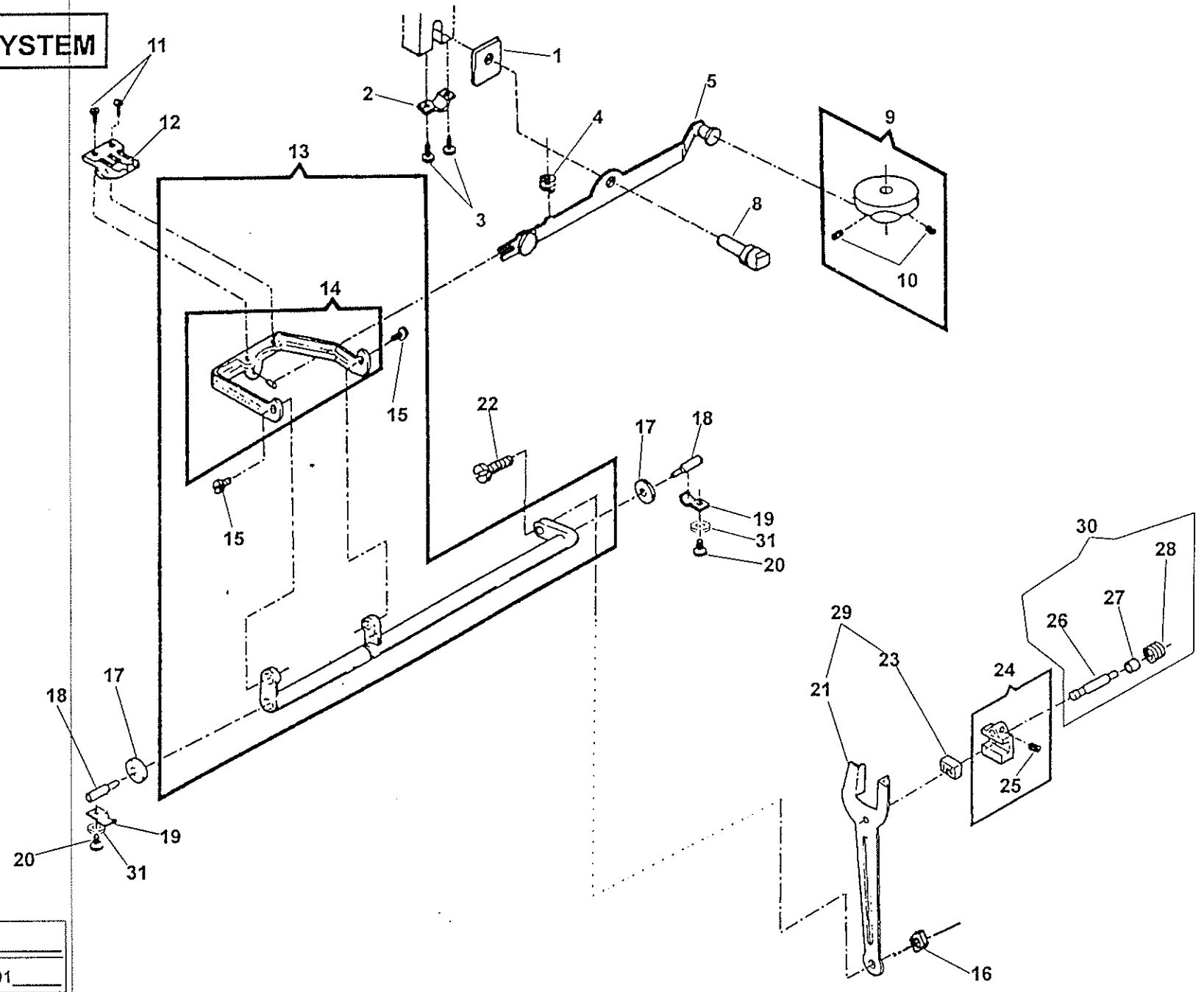
PARTS LIST

CAM CONTROLLED FEED

2	5	5	5
5	8	8	8
1	0	0	1
7	2	5	0

REF.	PART NUMBER	DESCRIPTION	2	5	5	5
1	353536	BH. NEEDLE POS. CAM FOLLOWER LEVER LINK (RIGHT)	-	-	-	X
2	141913-451	BUTTONHOLER NEEDLE POSITION CAM FOLLOWER LEVER LINK (LEFT & RIGHT) SCREW	-	-	-	X
3	408030	BH. & FEED REG. MECHANISM MOUNTING PLATE RET. RING	-	-	-	X
4	445808	BUTTONHOLER & FEED REGULATOR MECHANISM MOUNTING PLATE STUD SPRING WASHER	-	-	-	X
5	179949	BUTTONHOLER & FEED REGULATOR MECHANISM MOUNTING PLATE STUD SPRING	-	-	-	X
6	445486	BUTTONHOLER BIGHT CONTROL CAM FOLLOWER LEVER LINK (RIGHT) RETAINING RING	-	-	-	X
7	356230	BUTTONHOLER & FEED REGULATOR MECHANISM MOUNTING PLATE STUD	-	-	-	X
8	356797-XXX	BUTTONHOLER & FEED REGULATOR CAM COMPLETE	-	-	-	X
8	356792-XXX	BUTTONHOLER & FEED REGULATOR CAM COMPLETE	-	-	-	X
9	356798-XXX	BUTTONHOLER & FEED REGULATOR CAM ASSEMBLY	-	-	-	X
9	356793-XXX	BUTTONHOLER & FEED REGULATOR CAM ASSEMBLY	-	-	-	X
10	113372-451	CAM CONTROL FEED ENGAGING CAM FOLLOWER & LEVER MOUNTING SCREW	-	-	-	X
11	353320	CAM CONTROL FEED ENGAGING CAM FOLLOWER	-	-	-	X
12	353495	CAM CONTROL FEED ENGAGING CAM FOLLOWER & LEVER SPRING	-	-	-	X
13	356653-XXX	FEED REGULATOR POSITIONING PIN KNOB	-	-	-	X
14	113513-451	BUTTONHOLER & FEED REG. MECHANISM MOUNTING PLATE SCREW	-	-	-	X
15	53640-819	BUTTONHOLER & FEED REG. MECHANISM MOUNTING PLATE	-	-	-	X
16	445486	BUTTONHOLER BIGHT CONTROL CAM FOLLOWER LEVER LINK (RIGHT) RETAINING RING	-	-	-	X
17	353215	BUTTONHOLER NEEDLE POSITION CAM FOL. LEVER RET. RING	-	-	-	X
18	353495	BH. & FEED REGULATOR CONTROL DIAL PAWL SPRING	-	-	-	X
19	356650	FEED REGULATOR POSITIONING PIN	-	-	-	X
20	356830-001	FEED REGULATOR POSITIONING PIN WASHER	-	-	-	X
21	44892	FEED REGULATOR POSIT. PIN FRICTION WASHER	-	-	-	X

FEED SYSTEM



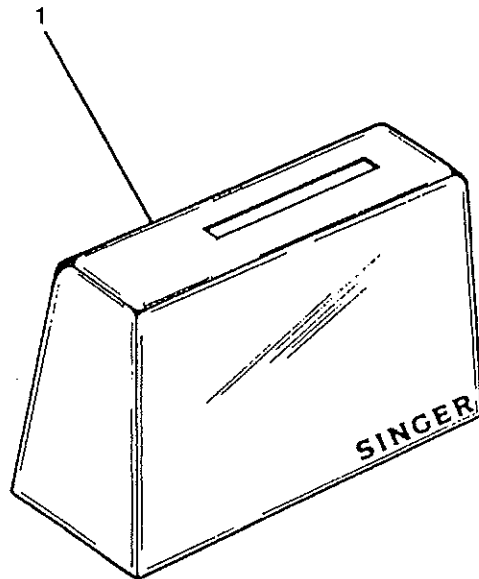
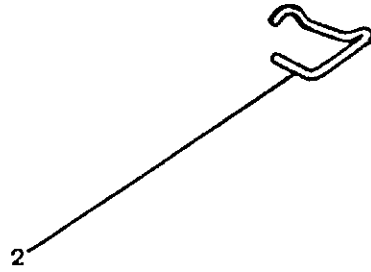
REV: _____
DATA: __JUL/01__

PARTS LIST

FEED SYSTEM

REF.	PART NUMBER	DESCRIPTION	2 5 1 7	5 8 0 2	5 8 0 5	5 8 1 0
1	179955	FEED LIFTING LEVER HINGE STUD (ECCENTRIC) SPACER	X	X	X	X
2	446485	FEED LIFTING LEVER HINGE STUD (ECCENTRIC) CLAMP	X	X	X	X
3	113455-001	FEED LIFTING LEVER HINGE STUD (ECCENTRIC) CLAMP SCREW	X	X	X	X
4	446249	FEED LIFTING LEVER SPRING	X	X	X	X
5	356222-001	FEED LIFTING LEVER ASSEMBLY	X	X	X	X
8	353448	FEED LIFTING LEVER HINGE STUD (ECCENTRIC)	X	X	X	X
9	446228	FEED LIFTING CAM	X	X	X	X
10	544118	FEED LIFTING CAM SCREW	X	X	X	X
11	355235-451	FEED DOG SCREW	X	X	X	X
12	179891	FEED DOG	X	X	X	X
13	446216	FEED ROCK SHAFT COMPLETE	X	X	X	X
14	446205	FEED BAR ASSEMBLY	X	X	X	X
15	354939-451	FEED BAR HINGE SCREW	X	X	X	X
16	53648-451	FEED FORKED CONNECTING SCREW STUD NUT	X	X	X	X
17	353397	FEED ROCK SHAFT CENTER (LEFT) NOISE DAMPENING WASHER	X	X	X	X
18	446487-001	FEED ROCK SHAFT CENTER	X	X	X	X
19	446484	FEED ROCK SHAFT CENTER CLAMP (LEFT & RIGHT)	X	X	X	X
20	113455-001	FEED ROCK SHAFT CENTER SUPPORTING BRACKET SCREW	X	X	X	X
21	531926	FEED FORKED CONNECTING	X	X	X	X
22	531623-451	FEED FORKED CONNECTING HINGE SCREW (ECCENTRIC)	X	X	X	X
23	44437	FEED FORKED CONNECTING SLIDE BLOCK	X	X	X	X
24	446244	FEED REGULATOR ASSEMBLY	X	X	X	X
25	141925-833	FEED REGULATOR SET SCREW	X	X	X	X
26	446483	FEED REGULATOR HINGE STUD	X	X	X	X
27	445768	FEED REGULATOR RETURN SPRING BUSHING (PLASTIC)	X	X	X	X
28	179890	FEED REGULATOR RETURN SPRING	X	X	X	X
29	531927	FEED FORKED CONNECTION WITH SLIDE BLOCK	X	X	X	X
30	353600	FEED REGULATOR HINGE STUD ASSEMBLY	X	X	X	X
31	353357-451	FEED ROCK SHAFT CENTER SUPPORTING BRACKET SCREW WASHER	X	X	X	X

OPTIONS



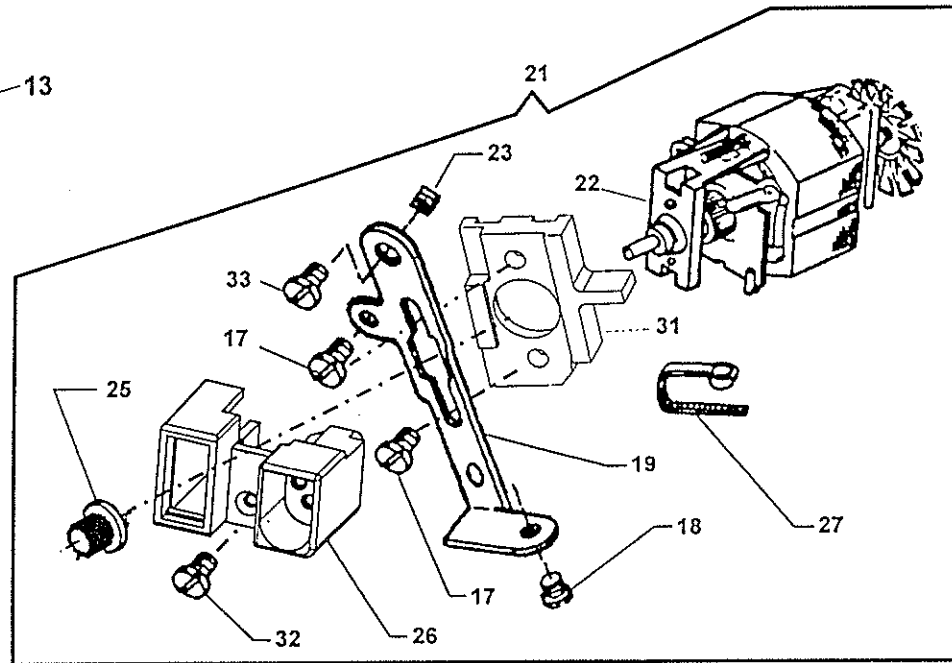
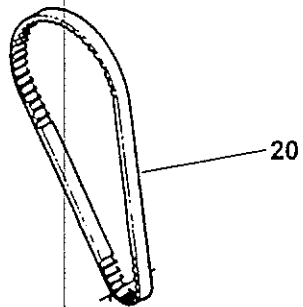
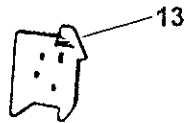
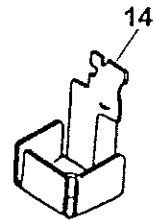
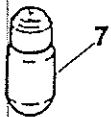
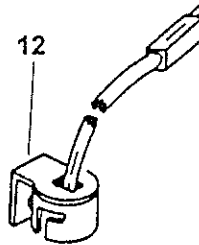
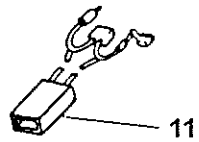
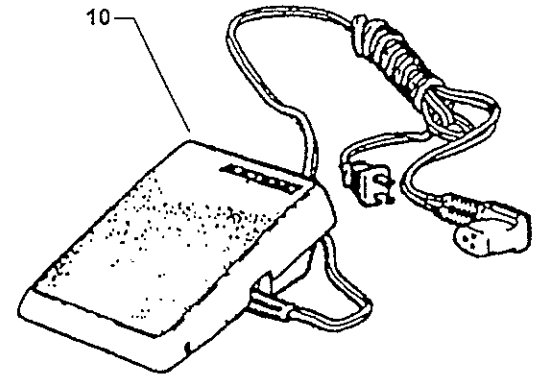
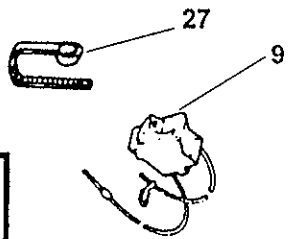
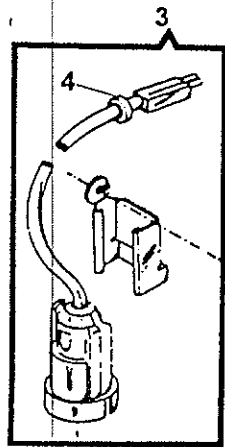
REV: _____
DATA: JUL/01

PARTS LIST

OPTIONS

REF.	PART NUMBER	DESCRIPTION	2	5	5	5
			5	8	8	8
			1	0	0	0
			7	2	5	5
1	356392-452	SOFT VINIL COVER (TUBULAR BED)	X	X	X	X
2	116863	FINGER GUARD	X	X	X	X

ELECTRICAL EQUIPMENT



REV.: _____
DATE: JUL/01

PARTS LIST

ELECTRICAL EQUIPMENT

2 5 5 5
 5 8 8 8
 1 0 0 1
 7 2 5 0

REF.	PART NUMBER	DESCRIPTION	2	5	5	5
3	605488-025	LIGHT LEAD COMPLETE CAT L9 (IEC CONSTRUCTION)	X	X	X	X
4	179908	LIGHT LEAD GROMMET	X	X	X	X
7	988076-001	LAMP (120V)	X	X	X	X
7	988076-003	LAMP (220/250V)	X	X	X	X
8	354592-451	LIGHT SOCKET MOUNTING SCREW	X	X	X	X
9	362250-904	SWITCH	X	X	X	X
10	362095-001	CONTROLADOR	X	X	X	X
11	988764-003	LIGHT RECEPTACLE HARNESS	X	X	X	X
12	362160-002	LIGHT SOCKET (L15 B)	X	X	X	X
13	179901	HEAT SHIELD (WITHOUT GRAPHICS)	X	X	X	X
13	179910-451	LIGHT SHIELD (WITH GRAPHICS) (FOR US/CANADA)	X	X	X	X
14	605087-001	HEAT SHIELD (FOR EUROPE)	X	X	X	X
17	362264-901	MOTOR MOUNTING PLATE CLAMP SCREW	X	X	X	X
18	113370-451	MOTOR MOUNTING PLATE SCREW (LOWER)	X	X	X	X
19	356803-901	MOTOR MOUNTING PLATE	X	X	X	X
20	353518-001	MOTOR BELT (V)	X	X	X	X
21	362180-012	MOTOR COMPLETE	X	X	X	X
22	988752-010	SERIES MOTOR MODULE	X	X	X	X
23	313470-452	MOTOR MOUNTING PLATE SCREW NUT	X	X	X	X
25	988761-001	MOTOR PULLEY	X	X	X	X
26	362239-001	COMMUTATOR END	X	X	X	X
27	605600-004	TYE RAP	X	X	X	X
31	362237-901	MOTOR MOUNTING PLATE SPACER	X	X	X	X
32	362263-901	COMUTATOR END CLAMP SCREW	X	X	X	X
33	113372-451	MOTOR MOUNTING PLATE SCREW (UPPER)	X	X	X	X