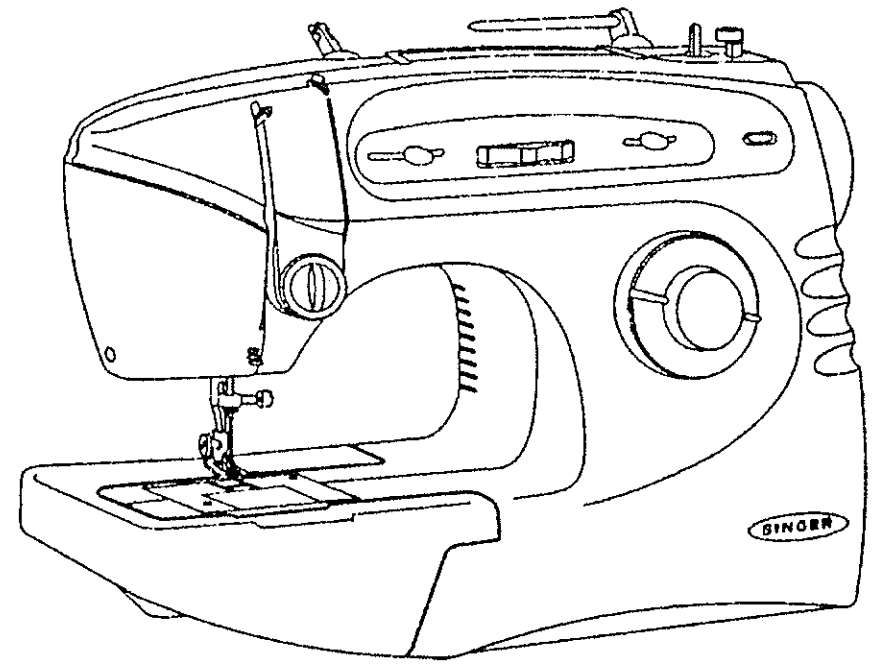


042.130

5430C
STYLE 0514

5417C

LIST OF PARTS
SEWING MACHINE SERIES
5400



THE SINGER COMPANY
©2000 SINGER DO BRASIL
ALL RIGHTS RESERVED

PRINTED IN BRAZIL
P/N 357790-002
May/2000

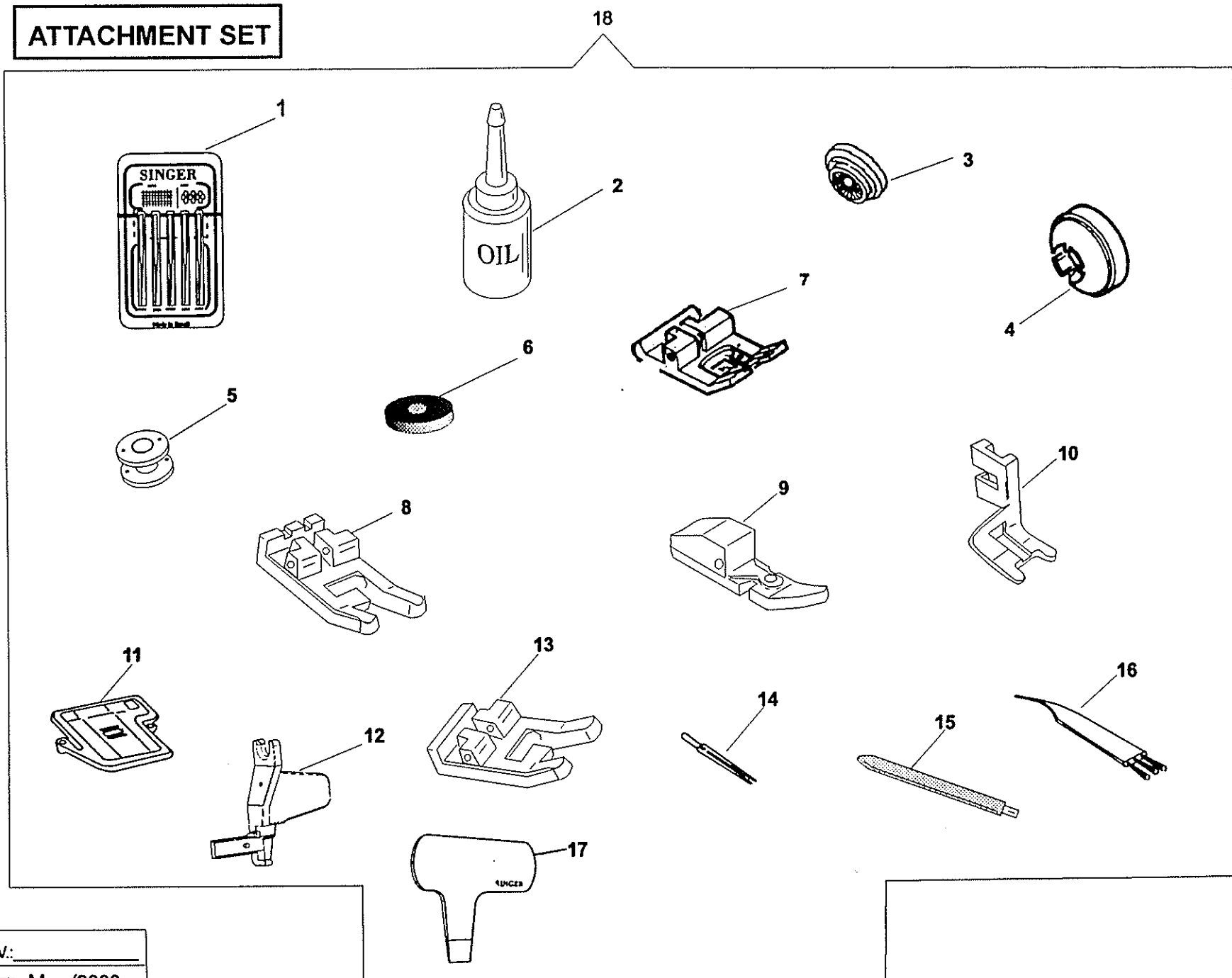
INDEX

PAGE NBR.

SUB-ASSEMBLY

01 - 02	ATTACHMENT SET
03 - 04	OPTIONAL ACCESSORIES (OVER-THE-COUNTER)
05 - 06	ARM, BED, THROAT PLATE & BED SLIDE
07 - 08	COVERS
09 - 10	OTHERS COVERS
11 - 12	NEEDLE BAR
13 - 14	PRESSER BAR
15 - 16	ARM SHAFT DRIVE
17 - 18	HAND WEEL
19 - 20	TENSION MECHANISM
21 - 22	HOOK SYSTEM
23 - 24	BIGHT AMPLITUDE
25 - 26	NEEDLE POSITION
27 - 28	PATTERN SELECTOR
29 - 30	CAM STACK
31 - 32	BUTTONHOLER & FEED REGULATOR CAM
33 - 34	CAM CONTROLLED FEED
35 - 36	FEED SYSTEM
37 - 38	ELECTRICAL EQUIPMENT

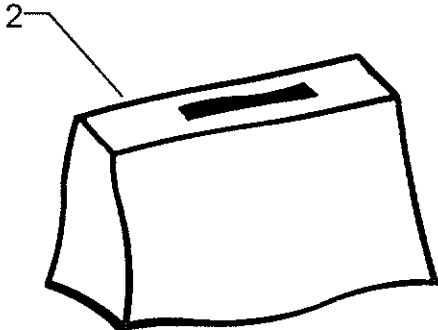
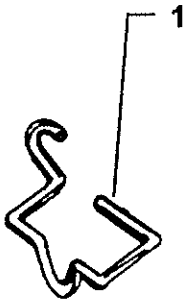
ATTACHMENT SET



REV: _____
DATE: May/2000

REF.PART NBR	DESCRIPTION	5	5
	PARTS LIST	4	4
	ATTACHMENT SET	1	3
	DESCRIPTION	7	0
01 353364	NEEDLE PACK (INCLUDES 1 EA. N2020 SIZE 11/14/15 & N2045 SIZE 11/14) <i>Pf</i>	X	X
02 357004-001	OIL CONTAINER <i>PF</i>	X	X
03 179967-461	ARM TOP COVER SPOOL PIN THREAD LEAD-OFF <i>OK</i>	X	X
04 507664-467	ARM TOP COVER SPOOL PIN THREAD LEAD-OFF (SMALL PLASTIC) <i>OK</i>	X	X
05 172336 <i>00A</i>	BOBBIN (PLASTIC) <i>OK</i>	X	X
06 8879-656	ARM SPOOL PIN WASHER (FELT) <i>OK</i>	X	X
07 446492-451	SPECIAL PURPOSE PRESSER FOOT PLATE (SNAP-ON)	X	X
08 161927	PRESSER FOOT PLATE (SNAP-ON) FOR SEWING BUTTONHOLES	X	X
09 507836 <i>000</i>	PRESSER FOOT PLATE (SNAP-ON) COMPLETE FOR CORDING & SLIDE FASTERNERS	X	X
10 179911-000	PRESSER FOOT PLATE FOR STRAIGHT STITCH	X	X
11 313117	FEED COVER PLATE (PLASTIC)	X	X
12 357350-001	NEEDLE THREADER	X	X
13 356630 <i>000</i>	BLIND STITCH GUIDE	X	X
14 531868-000	NEEDLE PACK WITH NEEDLE 2025 SIZE 14 <i>260202SCYU50</i>	X	X
15 356942-453	ARM TOP COVER SPOOL PIN	X	X
16 546358-000	LINT BRUSH	X	X
17 357306-000	SCREW DRIVER	X	X
18 357767-000	ATTACHMENT SET COMPLETE	X	X

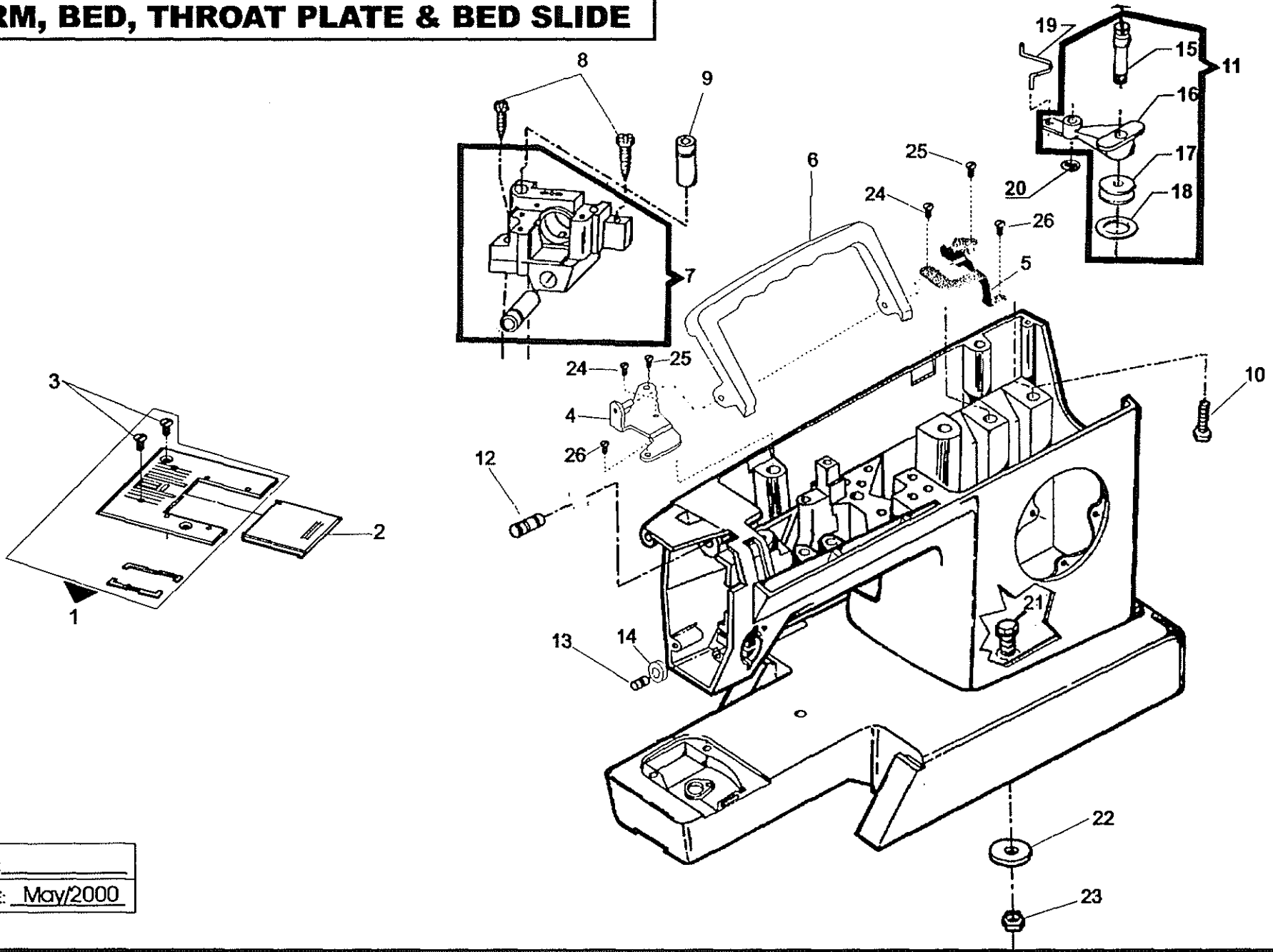
OPTIONAL ACCESSORIES



REV: _____
DATE: May/2000

REF.PART NBR	PARTS LIST OPTIONAL ACCESSORIES OVER-THE-COUNTER DESCRIPTION	5 4 1 7	5 4 3 0
01 116863 000	FINGER GUARD	X	X
02 357792-452	SOFT VINYL COVER WITH SINGER LOGO	X	X

ARM, BED, THROAT PLATE & BED SLIDE



REV: _____
DATE: May/2000

PARTS LIST
ARM, BED, THROAT PLATE & BED SLIDE

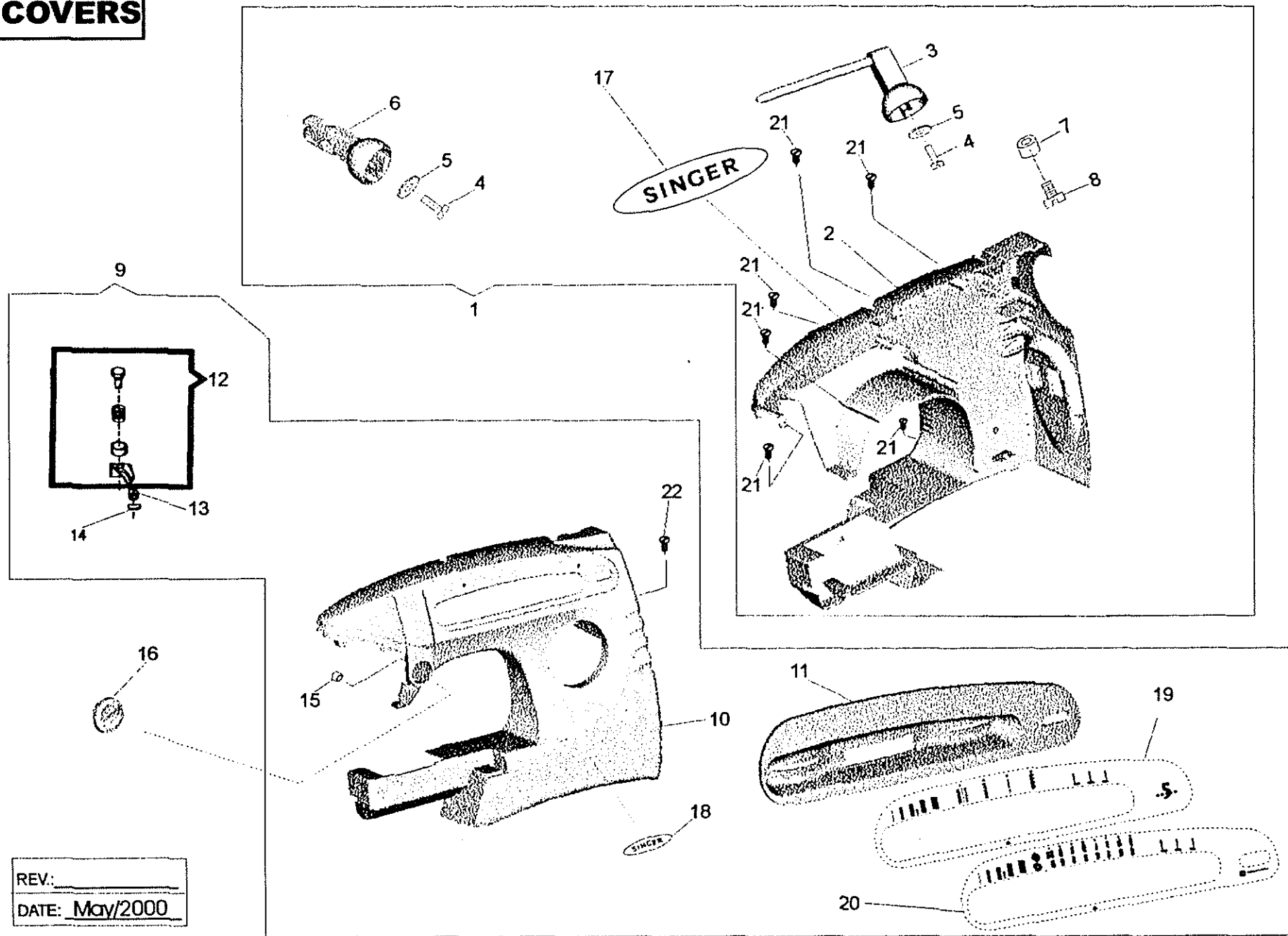
5
4
1
7

5
4
3
0

REF. PART NBR**DESCRIPTION**

REF. PART NBR	DESCRIPTION	7	0
01 357745-001	THROAT PLATE FOR ZIG-ZAG	X	X
02 357191-001	ROTATING HOOK BOBBIN VISOR	X	X
03 357777-451	THROAT PLATE SET SCREW	X	X
04 357720-000	MACHINE HANDLE MOUNTING BRACKET (LEFT)	X	X
05 357740-001	MACHINE HANDLE MOUNTING BRACKET (RIGHT)	X	X
4 06 357703-900	MACHINE HANDLE <i>Pouqnee</i>	X	X
07 357017-002	ARM SHAFT (REAR) HOUSING ASSEMBLY	X	X
08 113455-006	ARM SHAFT (REAR) HOUSING MOUNTING SCREW	X	X
09 357019	ARM TOP COVER SUPPORT STUD	X	X
10 357020-451	ARM SHAFT (REAR) HOUSING MOUNTING BOLT	X	X
11 531767-452	BOBBIN WINDER ASSEMBLY	X	X
12 357725-000	THREAD TAKE-UP LEVER LINK HINGE STUD	X	X
13 357438-001	TENSION RELEASING LEVER HINGE PIN	X	X
14 357464-002	TENSION RELEASING LEVER HINGE PIN WASHER	X	X
15 357081-452	BOBBIN WINDER SPINDLE COMPLETE	X	X
16 357082-452	BOBBIN WINDER FRAME	X	X
17 44440-001	BOBBIN WINDER PULLEY	X	X
18 15287-301	BOBBIN WINDER FRICTION RING (RUBBER)	X	X
19 531766-000	BOBBIN WINDER HINGE STUD SPRING	X	X
20 445486-000	BOBBIN WINDER RETAINING RING	X	X
21 355250-451	BED(BOTTOM) COVER & CABINET BOLT	X	X
22 353375-451	BED(BOTTOM) COVER & CABINET BOLT WASHER	X	X
23 514608-000	BED (BOTTOM) COVER & CABINET BOLT NUT	X	X
24 113424-451	FRONT COVER MOUNTING SCREW	X	X
25 355243-451	REAR COVER MOUNTING SCREW	X	X
26 113455-009	FRONT COVER MOUNTING SCREW	X	X

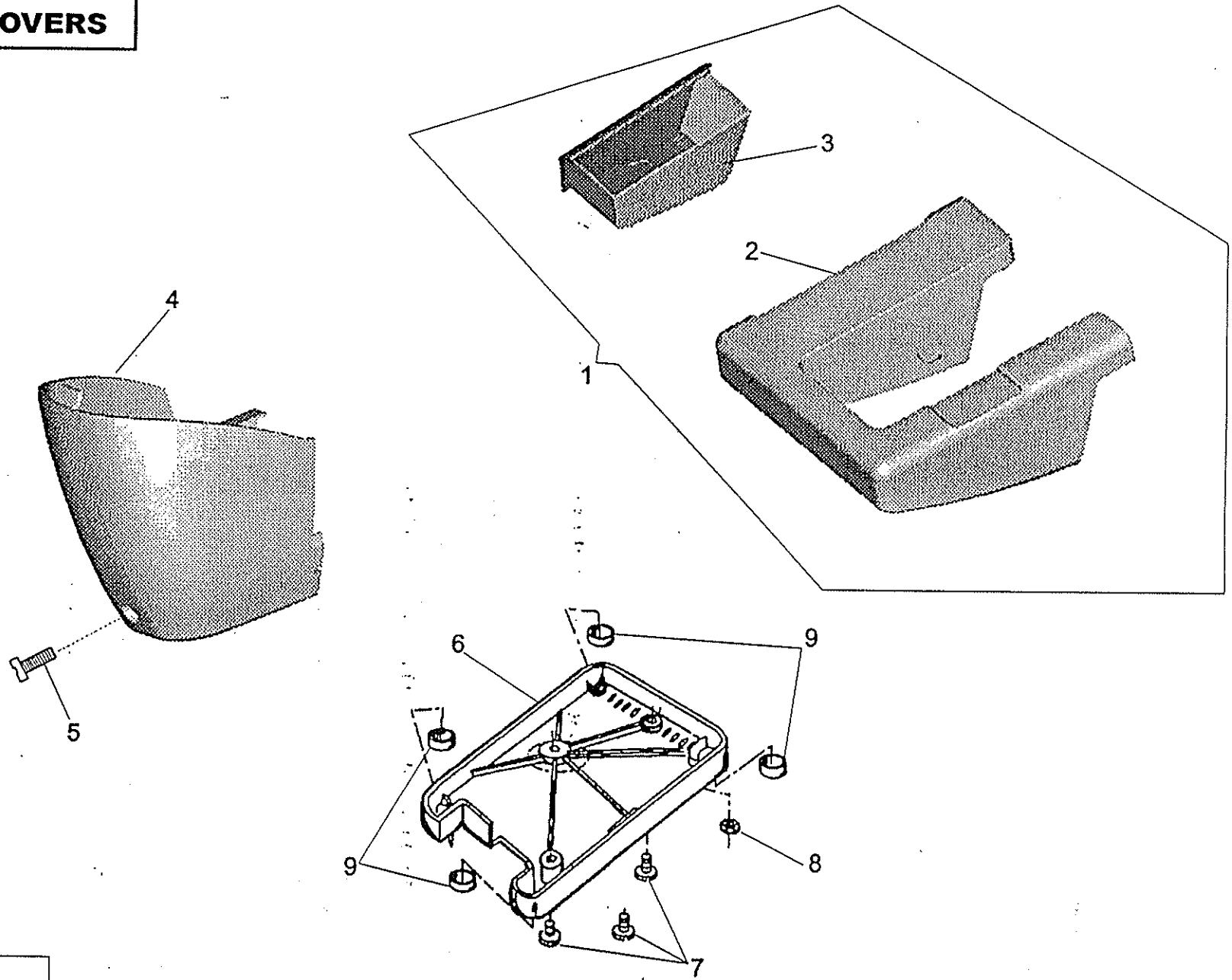
COVERS



REV: _____
DATE: May/2000

		PARTS LIST	5	5
		COVERS	4	4
REF.PART NBR	DESCRIPTION		1	3
			7	0
01	357732-004 REAR COVER COMPLETE (XXX- INDICATES THE COUNTRY)-	X		X
02	357733-XXX REAR COVER WITH GRAPHICS (XXX- INDICATES THE COUNTRY)	X		X
03	357704-900 SPOOL PIN	X		X
04	356116-451 SPOOL PIN SCREW	X		X
05	446138-000 SPOOL PIN SCREW WASHER	X		X
06	357705-900 THREAD GUIDE	X		X
07	357718-900 BOBBIN WINDER STOP	X		X
08	113375-452 BOBBIN WINDER STOP SCREW	X		X
09	357729-029 FRONT COVER COMPLETE (XXX- INDICATES THE COUNTRY)-	X		X
10	357730-001 FRONT COVER WITH GRAPHICS	-		X
10	357730-002 FRONT COVER WITH GRAPHICS	X		-
11	357712- 900 CONTROL PANEL WITH GRAPHICS(XXX- INDICATES THE COUNTRY)	X		X
12	356047-000 BOBBIN WINDER TENSION COMPLETE	X		X
13	141936-833 BOBBIN WINDER TENSION BRACKET ADJUSTING SCREW	X		X
14	44794-000 BOBBIN WINDER TENSION BRACKET ADJUSTING SCREW RETAINING CLIP	X		X
15	356127-000 RETAINING RING	X		X
16	357734-002 TENSION MECHANISM DIAL WITH GRAPHICS (XXX- INDICATES THE COUNTRY)	X		X
17	357760-900 *SINGER* RESIN FOR REAR COVER	X		X
18	357759-900 *SINGER* RESIN FOR FRONT COVER	X		X
19	357794-XXX PANEL RESIN (XXX- INDICATES THE COUNTRY)	X		X
20	357758-XXX PANEL RESIN (XXX- INDICATES THE COUNTRY)	X		-
21	355263-451 REAR COVER MOUNTING SCREW	-		X
22	113424-451 FRONT COVER MOTOR MOUNTING PLATE SCREW	X		X

OTHERS COVERS



REV: _____
DATE: May/2000

PARTS LIST
OTHERS COVERS

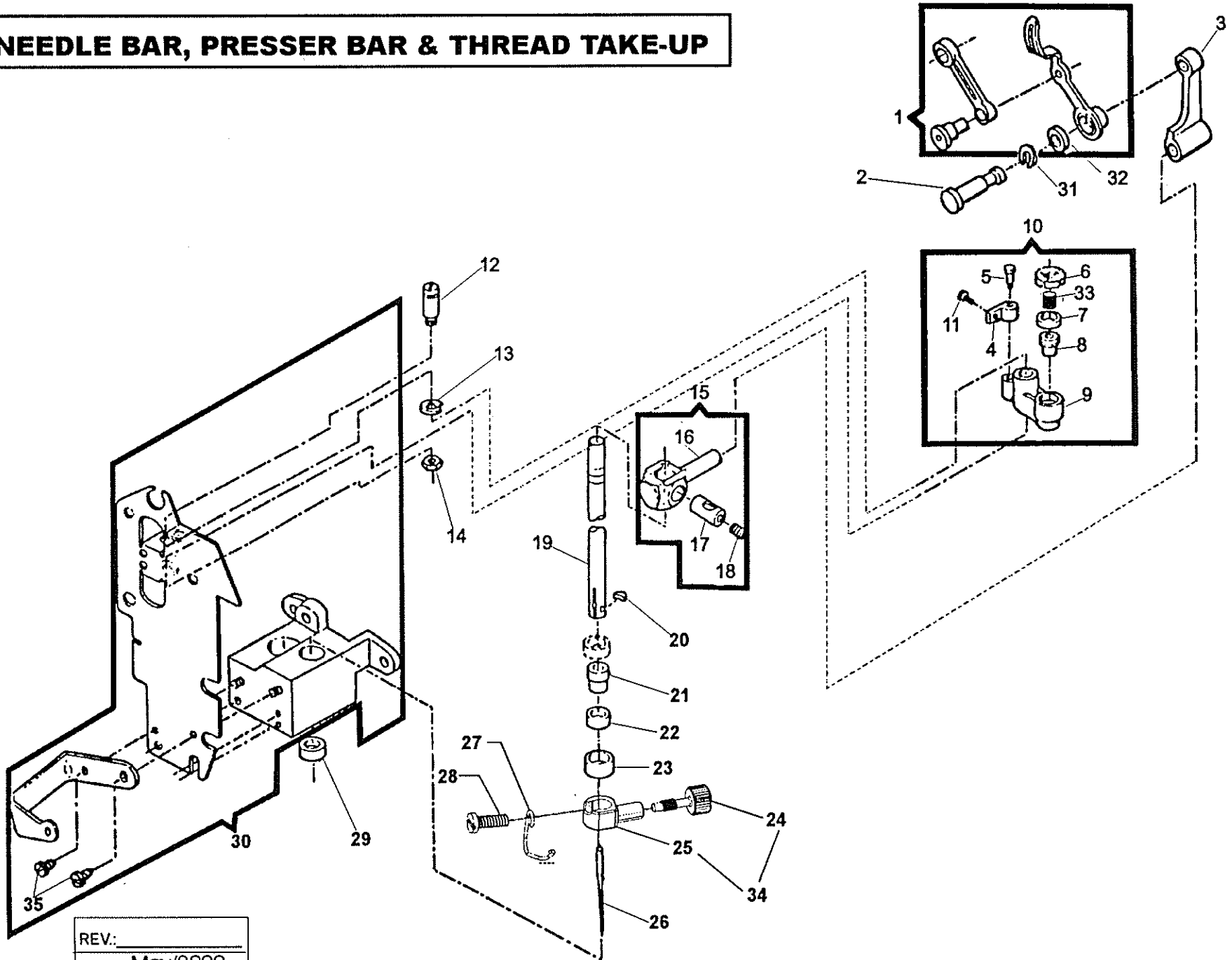
5 **5**
4 **4**
1 **3**
7 **0**

REF.PART NBR

DESCRIPTION

REF.PART NBR	DESCRIPTION	5	5
01 357701-451	BED EXTENSION COMPLETE	X	X
02 357701-900	BED EXTENSION	X	X
03 357702-900	ATTACHMENT BOX	X	X
04 357769-001	FACE PLATE COMPLETE	X	X
05 354133-453	FACE PLATE SCREW	X	X
06 357782-900	BED (BOTTOM) COVER (PLASTIC) WITH BED CUSHION	X	X
07 113455-001	BED (BOTTOM) COVER FASTENING SCREW	X	X
08 514608-000	BED (BOTTOM) COVER FASTENING SCREW NUT	X	X
09 357797-451	BED CUSHION	X	X

NEEDLE BAR, PRESSER BAR & THREAD TAKE-UP



REV: _____
DATE: May/2000

PARTS LIST
NEEDLE BAR

5
4
1
7

5
4
3
0

REF.PART NBR

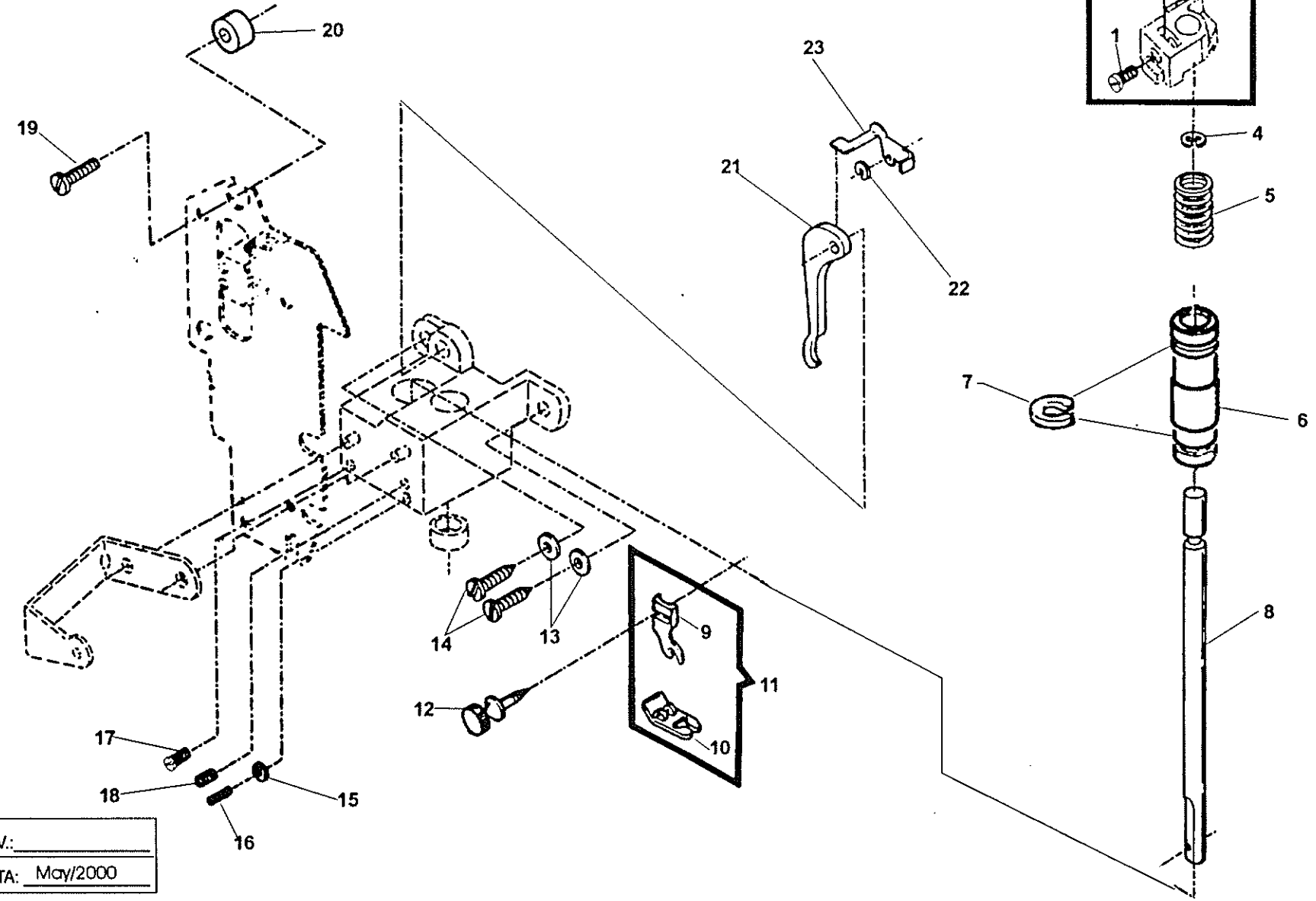
DESCRIPTION

REF.PART NBR	DESCRIPTION	7	0
01 445672	THREAD TAKE-UP LEVER COMPLETE	X	X
02 357788-000	THREAD TAKE-UP STUD	X	X
03 446357	NEEDLE BAR CONNECTING LINK	X	X
04 446190	NEEDLE BAR DRIVING ARM HINGE BRACKET	X	X
05 37935	NEEDLE BAR DRIVING ARM HINGE BRACKET HINGE PIN	X	X
06 353522-001	NEEDLE BAR BALL BUSHING (UPPER) REATINING RING	X	X
07 357615	NEEDLE BAR BALL BUSHING (UPPER) SOCKET (LOWER)	X	X
08 446355-001	NEEDLE BAR BALL BUSHING (UPPER)	X	X
09 353521	NEEDLE BAR VIBRATING BRACKET	X	X
10 353520-001	NEEDLE BAR VIBRATING BRACKET COMPLETE	X	X
11 354826-451	NEEDLE BAR DRIVING ARM HINGE BRACKET SCREW	X	X
12 446359	NEEDLE BAR VIBRATING BRACKET HINGE PIN	X	X
13 445721	NEEDLE BAR VIBRATING BRACKET HINGE PIN RETAINING RING	X	X
14 357093-451	NEEDLE BAR VIBRATING BRACKET HINGE PIN NUT	X	X
15 353549-940	NEEDLE BAR CONNECTING STUD WITH HINGE PIN	X	X
16 353549	NEEDLE BAR CONNECTING STUD	X	X
17 37931	NEEDLE BAR CONNECTING STUD HINGE PIN	X	X
18 141916-833	NEEDLE BAR CLAMPING SCREW	X	X
19 445793	NEEDLE BAR	X	X
20 37943	NEEDLE BAR GIB	X	X
21 446355-001	NEEDLE BAR BALL BUSHING (LOWER)	X	X
22 507379	NEEDLE BAR BALL BUSHING (LOWER) SOCKET	X	X
23 446361-001	NEEDLE BAR BALL BUSHING (LOWER) ADJUSTING COLLAR	X	X
24 355248-451	NEEDLE THUMB SCREW	X	X
25 357429-001	NEEDLE CLAMP BODY	X	X
26 204514-100	NEEDLE 2045 SIZE NBR 14	X	X
26 202014-100	NEEDLE 2020 SIZE NBR 14 (FOR JAPAN ONLY)	X	X
27 357421-001	NEEDLE CLAMP THREAD GUIDE	X	X
28 141920-455	ND.CLAMP BODY, ND.CLAMP THREAD GUIDE & ND.STOP SCREW	X	X
29 44450	NEEDLE BAR BALL BUSHING (LOWER) SOCKET (UPPER)	X	X
30 357360-000	NEEDLE BAR, PRESSER BAR & VIBR.BKT.HOUSING ASSEMBLY	X	X
31 445486	THREAD TAKE-UP STUD RETAINING RING	X	X
32 543531	THREAD TAKE-UP STUD THRUST WASHER	X	X
33 357616	NEEDLE BAR BALL BUSHING (UPPER) SOCKET SPRING	X	X
34 357430-001	NEEDLE CLAMP BODY WITH SCREW	X	X
35 113480-451	ND.BAR, PRESSER BAR & VIBR.BKT.HOUS.PLATE MTG.SCREW	X	X

5400 SERIES
P/n 357790-002

Adopt.

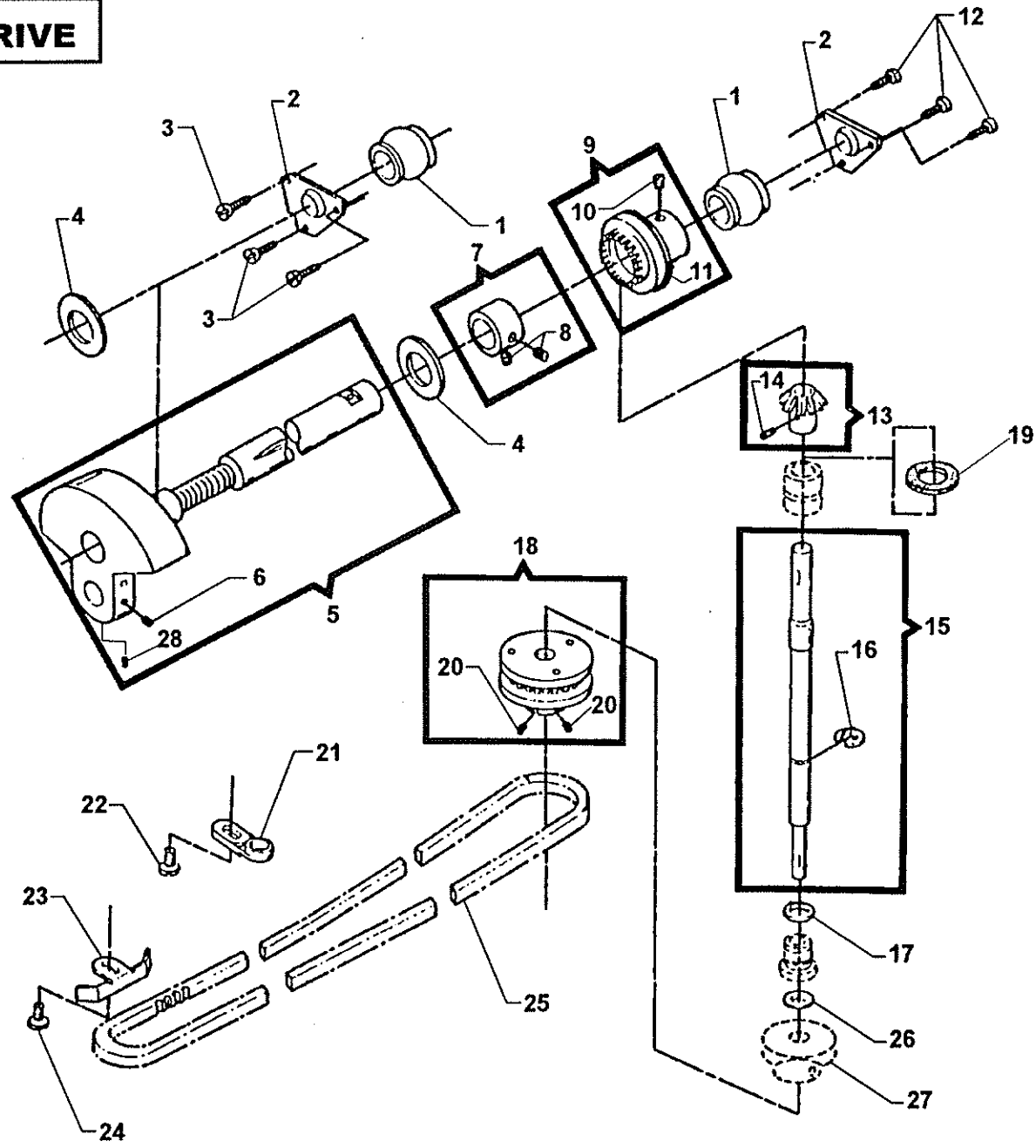
NEEDLE BAR, PRESSER BAR & THREAD TAKE-UP (CONT.)



REV: _____
DATA: May/2000

		PARTS LIST	5	5
		PRESSER BAR	4	4
			1	3
REF. PART NBR	DESCRIPTION		7	0
01	355279-451	PRESSER BAR GUIDE BRACKET SET SCREW	X	X
02	353367-451	PRESSER BAR GUIDE BRACKET NUT	X	X
03	357363-000	PRESSER BAR GUIDE BACKET ASSEMBLY	X	X
04	353215	PRESSER BAR SPRING RETAINING RING (UPPER)	X	X
05	357362	PRESSER BAR SPRING	X	X
06	445947-001	PRESSER BAR BUSHING	X	X
07	357604	PRESSER BAR BUSHING LOCATING RING	X	X
08	357602	PRESSER BAR	X	X
09	155964	PRESSER FOOT SHANK (SNAP-ON)	X	X
10	446371	PRESSER FOOT PLATE (SNAP-ON) FOR ZIG-ZAG SEWING	X	X
11	446372	PRESSER FOOT (SNAP-ON) COMPLETE FOR ZIG-ZAG SEWING	X	X
12	354135-452	PRESSER FOOT THUMB SCREW	X	X
13	353375-451	NEEDLE BAR, PRESSER BAR & VIBRATING BRACKET HOUSING MOUNTING SCREW (LOWER) WASHER	X	X
14	113434-451	NEEDLE BAR, PRESSER BAR & VIBRATING BRACKET HOUSING MOUNTING SCREW (LOWER)	X	X
15	54591-451	NEEDLE BAR OVER THROW SET SCREW NUT	X	X
16	354993-451	NEEDLE BAR OVER THROW SET SCREW	X	X
17	354906-451	PRESSER BAR BUSHING SET SCREW	X	X
18	141938-833	NEEDLE BAR BALL BUSHING (LOWER) ADJ. COLLAR SET SCREW	X	X
19	113455-009	NEEDLE BAR & PRESSER BAR VIBRATING BRACKET HOUSING MOUNTING SCREW (UPPER)	X	X
20	531627	NEEDLE BAR, PRESSER BAR & VIBRATING BRACKET HOUSING MOUNTING BUSHING	X	X
21	356170-451	PRESSER BAR LIFTER	X	X
22	445486	TENSION RELEASING LEVER RETAINING RING	X	X
23	445925	TENSION RELEASING LEVER	X	X

ARM SHAFT DRIVE



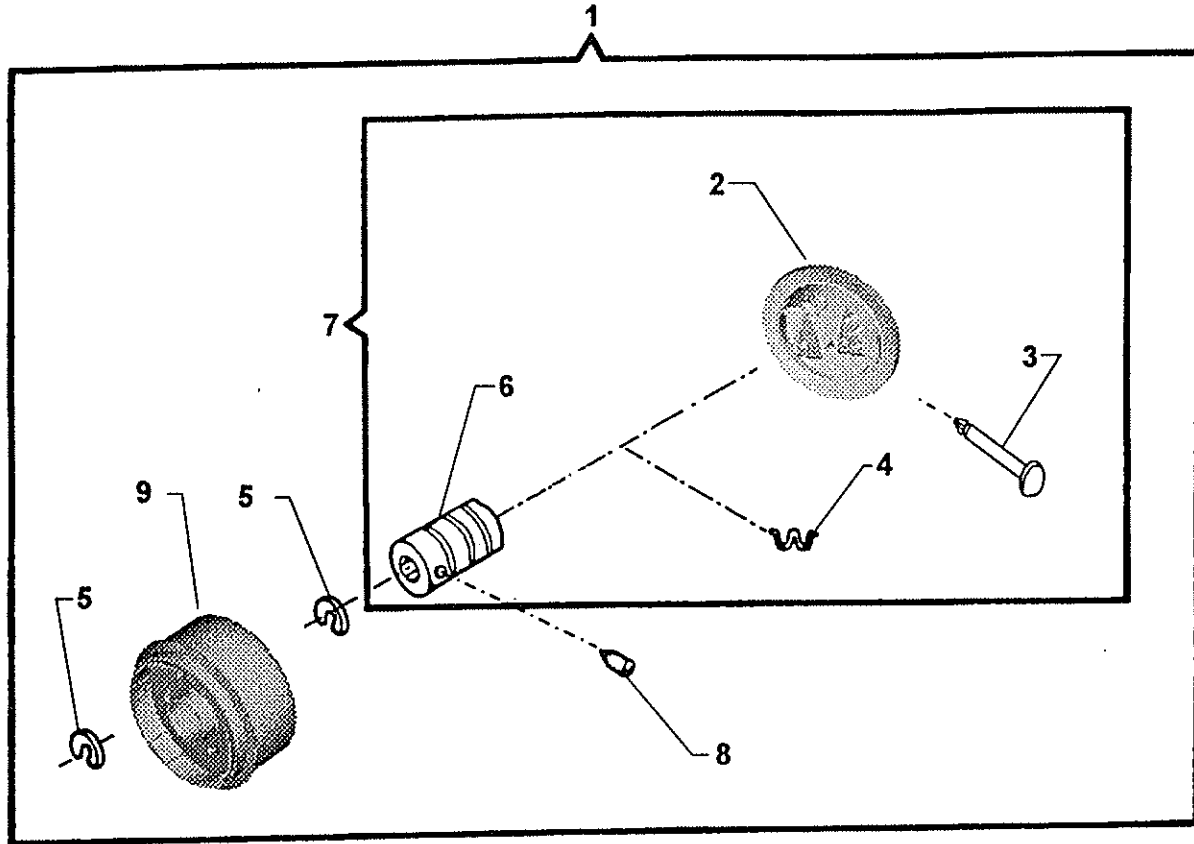
REV: _____
DATE: May/2000

		PARTS LIST	5	5
		ARM SHAFT DRIVE	4	4
REF. PART NBR	DESCRIPTION		1	3
			7	0
01 446384	ARM SHAFT BUSHING (FRONT)	X		X
02 446385	ARM SHAFT BUSHING (FRONT) RETAINING BRACKET	X		X
03 113455-001	ARM SHAFT BUSHING (FRONT) RETAINING BRACKET SCREW	X		X
04 319764	ARM SHAFT (HORIZONTAL)RETAINING COLLAR WASHER	X		X
05 531684	ARM SHAFT COMPLETE	X		X
06 354105-833	THREAD TAKE- UP SET SCREW	X		X
07 353580	ARM SHAFT (HORIZONTAL) RETAINING COLLAR	X		X
08 113500-451	ARM SHAFT (HORIZONTAL) RETAINING COLLAR SET SCREW	X		X
09 353272	ARM SHAFT (HORIZONTAL) BEVEL GEAR & FEED LIFTING (ECCENTRIC) COMPLETE	X		X
10 354813-451	ARM SHAFT (HORIZONTAL) BEVEL GEAR & FEED LIFTING ECCENTRIC SET SCREW	X		X
11 353413	ARM SHAFT (HORIZONTAL) BEVEL GEAR & FEED LIFTING ECCENTRIC WASHER (PLASTIC)	X		X
12 113455-001	ARM SHAFT BUSHING (REAR) RETAINING BRACKET SCREW	X		X
13 353273-002	ARM SHAFT (UPRIGHT) BEVEL GEAR (PLASTIC)	X		X
14 354105-833	ARM SHAFT (UPRIGHT) BEVEL GEAR SET SCREW	X		X
15 179952-002	ARM SHAFT (UPRIGHT) ASSEMBLY	X		X
16 353215	ARM SHAFT (UPRIGHT) RETAINING RING	X		X
17 353394	ARM SHAFT (UPRIGHT) RETAINING RING WASHER	X		X
18 353438-001	ARM SHAFT (UPRIGHT) BELT DRIVE PULLEY ASSEMBLY COMPLETE	X		X
19 356819	ARM SHAFT (UPRIGHT) FELT WASHER	X		X
20 354906-451	ARM SHAFT (UPRIGHT) BELT DRIVE PULLEY RETAINING COLLAR SET SCREW	X		X
21 357461	ROTATING HOOK DRIVE BELT TENSION ADJUSTER	X		X
22 113453-003	ROTATING HOOK DRIVE BELT TENSIONER SCREW	X		X
23 446376	BELT RETAINER (LEFT)	X		X
24 113455-001	BELT RETAINER (LEFT) SCREW	X		X
25 446237	BELT (ROTATING HOOK DRIVE)	X		X
26 319826	ARM SHAFT (UPRIGHT) BELT DRIVE PULLEY WASHER	X		X
27 446228-000	FEED LIFTING CAME COMPLETE	X		X
28 113500-451	THREAD TAKE- UP SET SCREW	X		X

5400 SERIES
P/n 357790-002

Adopt.

HAND WHEEL



REV: _____
DATA: May/2000

**PARTS LIST
HAND WHEEL**

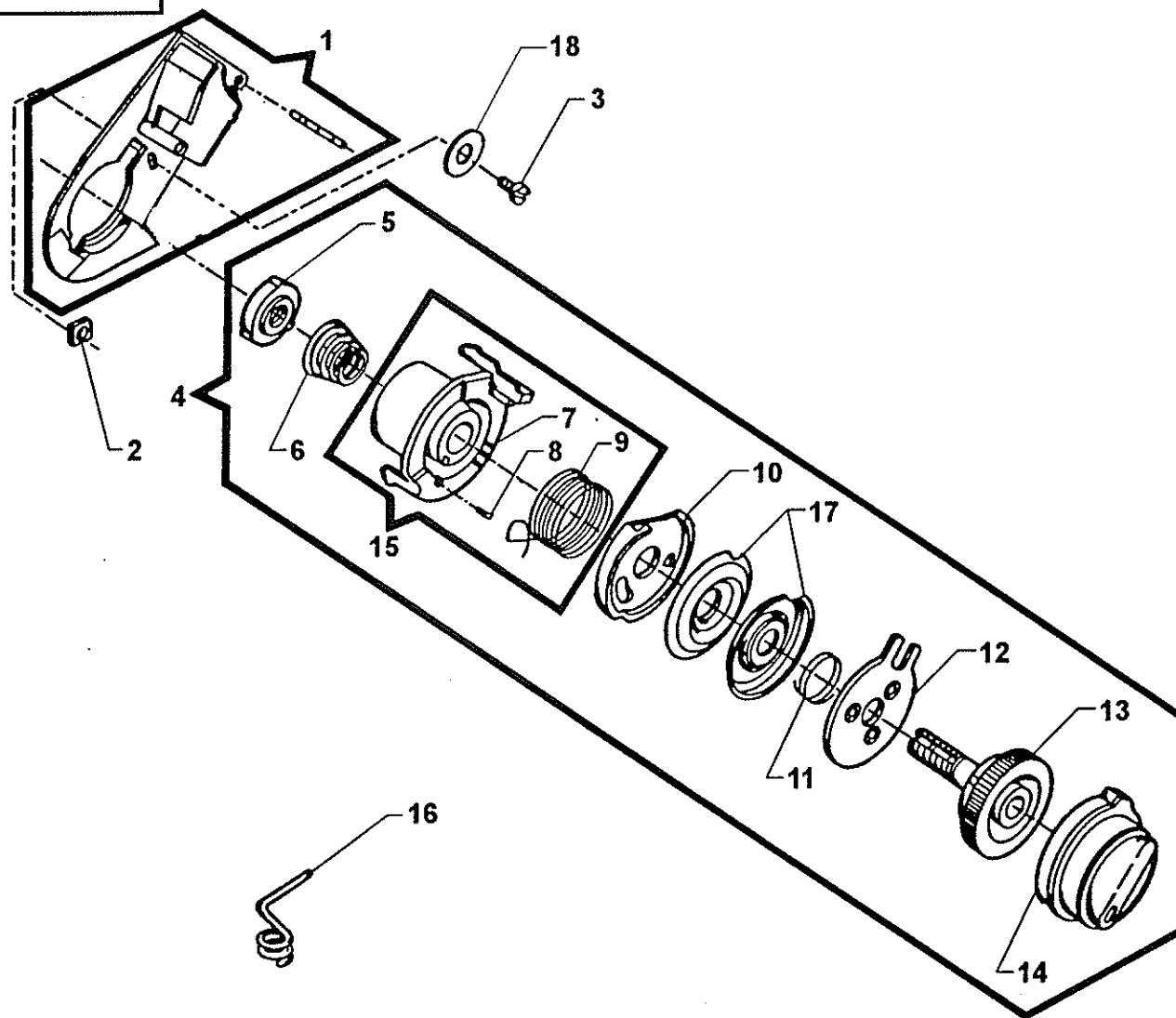
**5 5
4 4
1 3
7 0**

REF. PART NBR

DESCRIPTION

01	357737-001	HAND WHEEL (ELECTRIC) COMPLETE	X	X
02	357708-900	HAND WHEEL DISENGAGING CLUTCH ENGAGING PLATE COVER	X	X
03	357364-000	HAND WHEEL DISENGAGING CLUTCH ENGAGING PLATE HINGE PIN	X	X
04	357365	HAND WHEEL DISENGAGING CLUTCH ACTUATING SPRING	X	X
05	446387	HAND WHEEL RETAINING RING (TREADLE/ELECTRIC)	X	X
06	357359-000	HAND WHEEL DISENGAGING CLUTCH BUSHING	X	X
07	357744-001	HAND WHEEL DISENGAGING CLUTCH BUSHING COMPLETE	X	X
08	354813-451	HAND WHEEL DISENGAGING CLUTCH BUSHING SCREW	X	X
09	357709-900	HAND WHEEL (PLASTIC)	X	X

TENSION MECHANISM



REV: _____

DATA: May/2000

PARTS LIST
TENSION MECHANISM

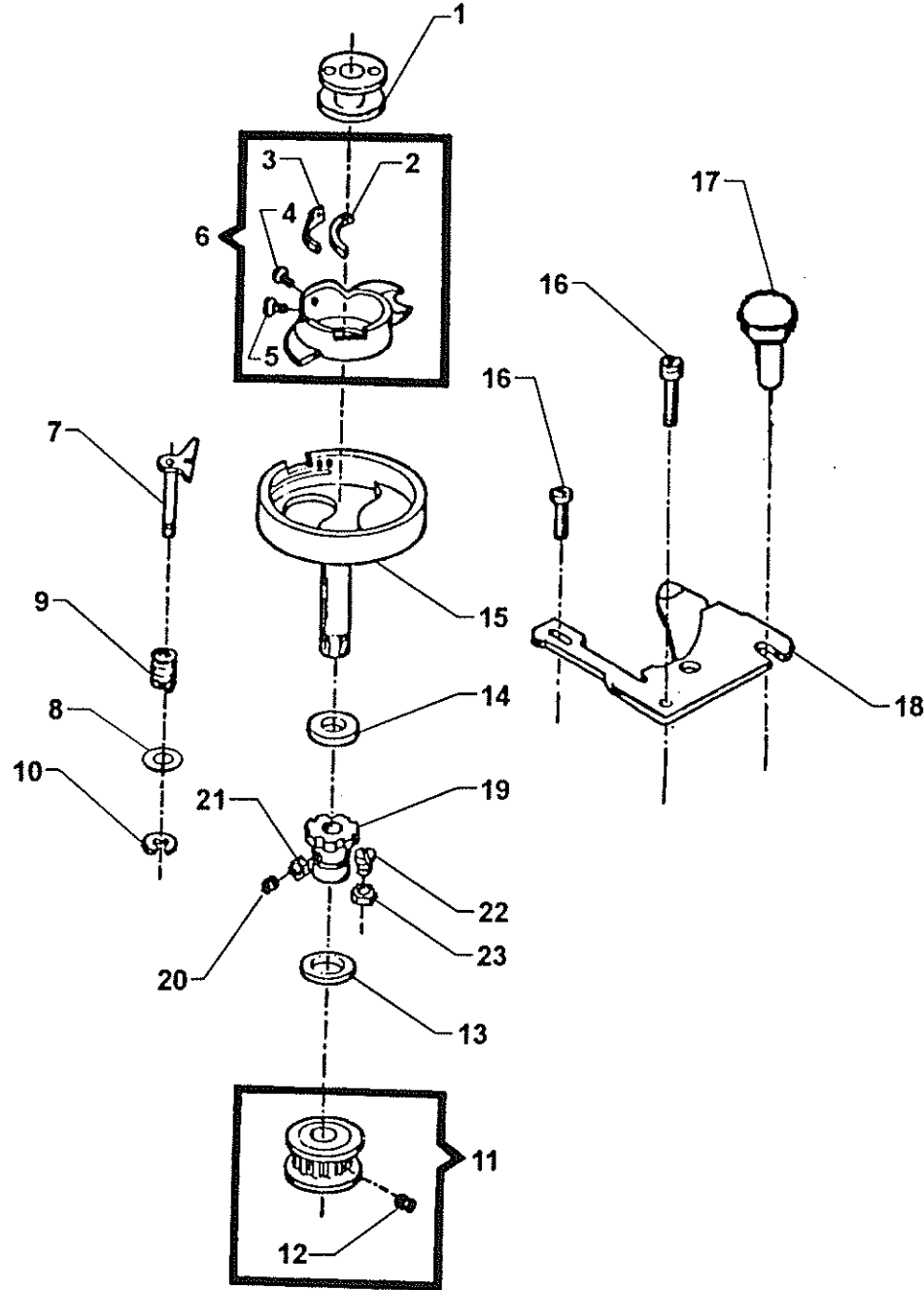
5 **5**
4 **4**
1 **3**
7 **0**

REF. PART NBR

DESCRIPTION

01	357748-001	TENSION MECHANISM SHROUDER ASSEMBLY	X	X
02	514698-451	TENSION MECHANISM SHROUDER SCREW NUT	X	X
03	141808-457	TENSION MECHANISM SHROUDER SCREW	X	X
04	356088-457	TENSION MECHANISM ASSEMBLY	-	-
05	356095	TENSION STUD NUT	X	X
06	356096	TENSION SPRING	X	X
07	356089	TENSION MECHANISM SUPPORT	X	X
08	356246-900	TENSION MECHANISM SUPPORT PIN	X	X
09	356097	THREAD TAKE-UP SPRING	X	X
10	356091	THREAD TAKE-UP SPRING THREAD GUARD	X	X
11	356216	TENSION DISC PRESSURE PLATE SPRING	X	X
12	356177	TENSION DISC PRESSURE PLATE	X	X
13	356092-451	TENSION INDICATOR WITH STUD	X	X
14	357734-003	TENSION INDICATOR DIAL	X	-
14	357734-002	TENSION INDICATOR DIAL	-	X
15	356245	TENSION MECHANISM SUPORT ASSEMBLY	X	X
16	445784	THREAD GUIDE (LOWER)	X	X
17	356094	TENSION DISC	X	X
18	356443	TENSION MECHANISM SHROUDER WASHER	X	X

HOOK SYSTEM



REV: _____
DATA: May/2000

**PARTS LIST
HOOK SYSTEM**

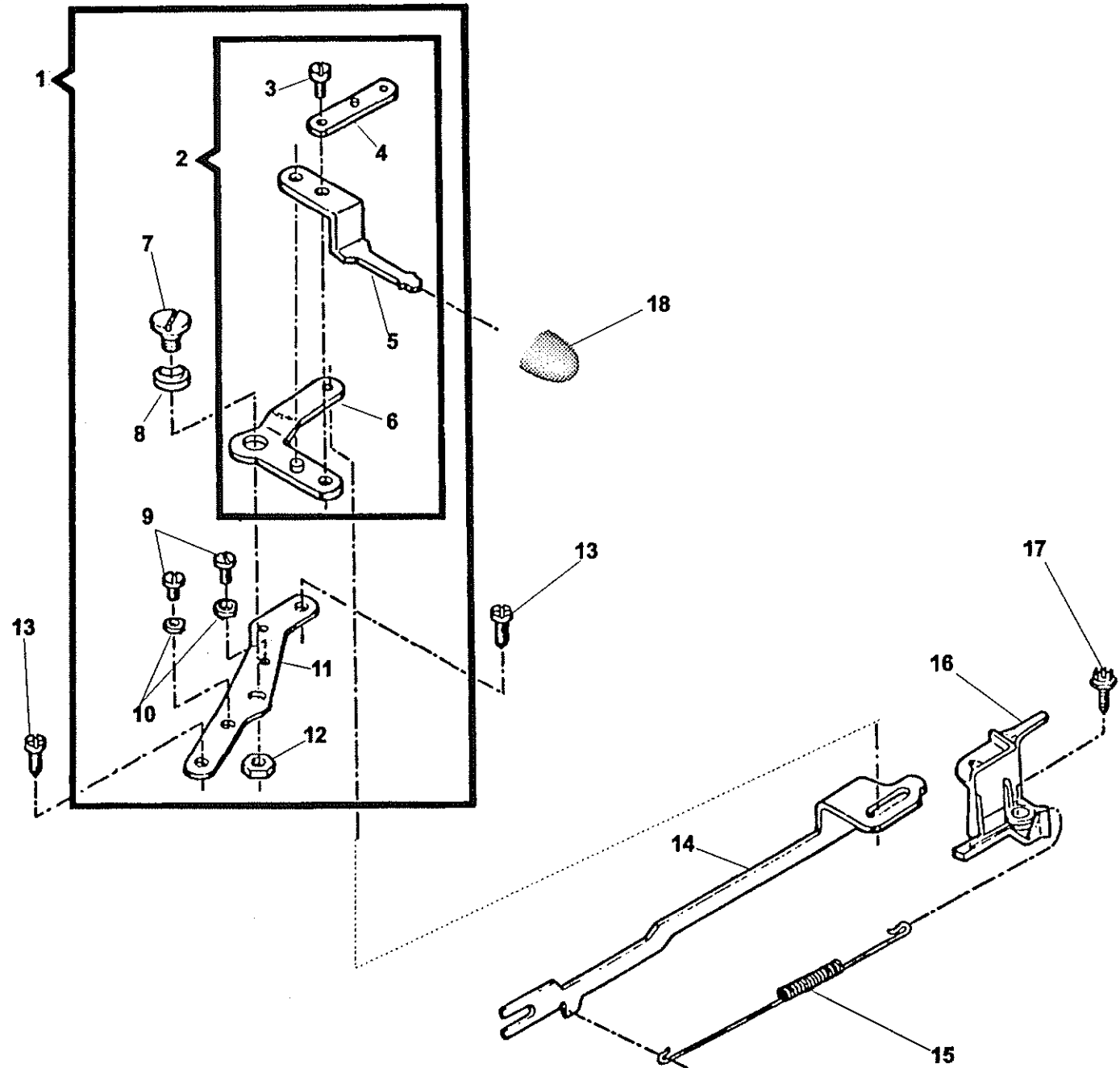
**5 5
4 4
1 3
7 0**

REF.PART NBR

DESCRIPTION

REF.PART NBR	DESCRIPTION	5	5
01 172336	ROTATING HOOK BOBBIN (PLASTIC)	X	X
02 356490-451	ROTATING HOOK BOBBIN CASE TENSION SPRING SEGMENT	X	X
03 314715	ROTATING HOOK BOBBIN CASE TENSION SPRING	X	X
04 355254-451	ROTATING HOOK BOBBIN CASE TENSION REGULATING SCREW	X	X
05 139975-452	ROTATING HOOK BOBBIN CASE TENSION SPRING SEG.SCREW	X	X
06 421325	ROTATING HOOK BOBBIN CASE	X	X
07 353511-000	ROTATING HOOK BOBBIN CASE RETAINING PLATE ASSEMBLY	X	X
08 445808-000	ROTATING HOOK BOBBIN CASE RETAINING PLATE WASHER	X	X
09 44892	ROTATING HOOK BOBBIN CASE RETAINING PLATE STUD SPRING	X	X
10 446417	ROTATING HOOK BOBBIN CASE RETAINING PLATE RETAINING RING	X	X
11 446235	ROTATING HOOK BELT DRIVE PULLEY	X	X
12 141803-451	ROTATING HOOK BELT DRIVE PULLEY SCREW	X	X
13 382861-906	ROTATING HOOK BELT DRIVE PULLEY WASHER	X	X
14 353453	ROTATING HOOK WEAR WASHER	X	X
15 353366	ROTATING HOOK COMPLETE	X	X
16 354917-451	ROTATING HOOK BOBBIN CASE POSITION PLATE SCREW	X	X
17 357349-451	ROTATING HOOK BOBBIN CASE RETAINING PLATE (ADJUSTABLE & POSITION PLATE)STUD	X	X
18 44873-001	ROTATING HOOK BOBBIN CASE POSITION PLATE	X	X
19 353410-900	ROTATING HOOK BUSHING	X	X
20 141938-833	ROTATING HOOK BUSHING SET SCREW	X	X
21 353367-451	ROTATING HOOK BUSHING SET SCREW NUT	X	X
22 141844-451	ROTATING HOOK BUSHING ADJUSTING SCREW	X	X
23 618638-005	ROTATING HOOK BUSHING ADJUSTING SCREW NUT	X	X

BIGHT AMPLITUDE



REV: _____
DATA: Mcy/2000

PARTS LIST
BIGHT AMPLITUDE

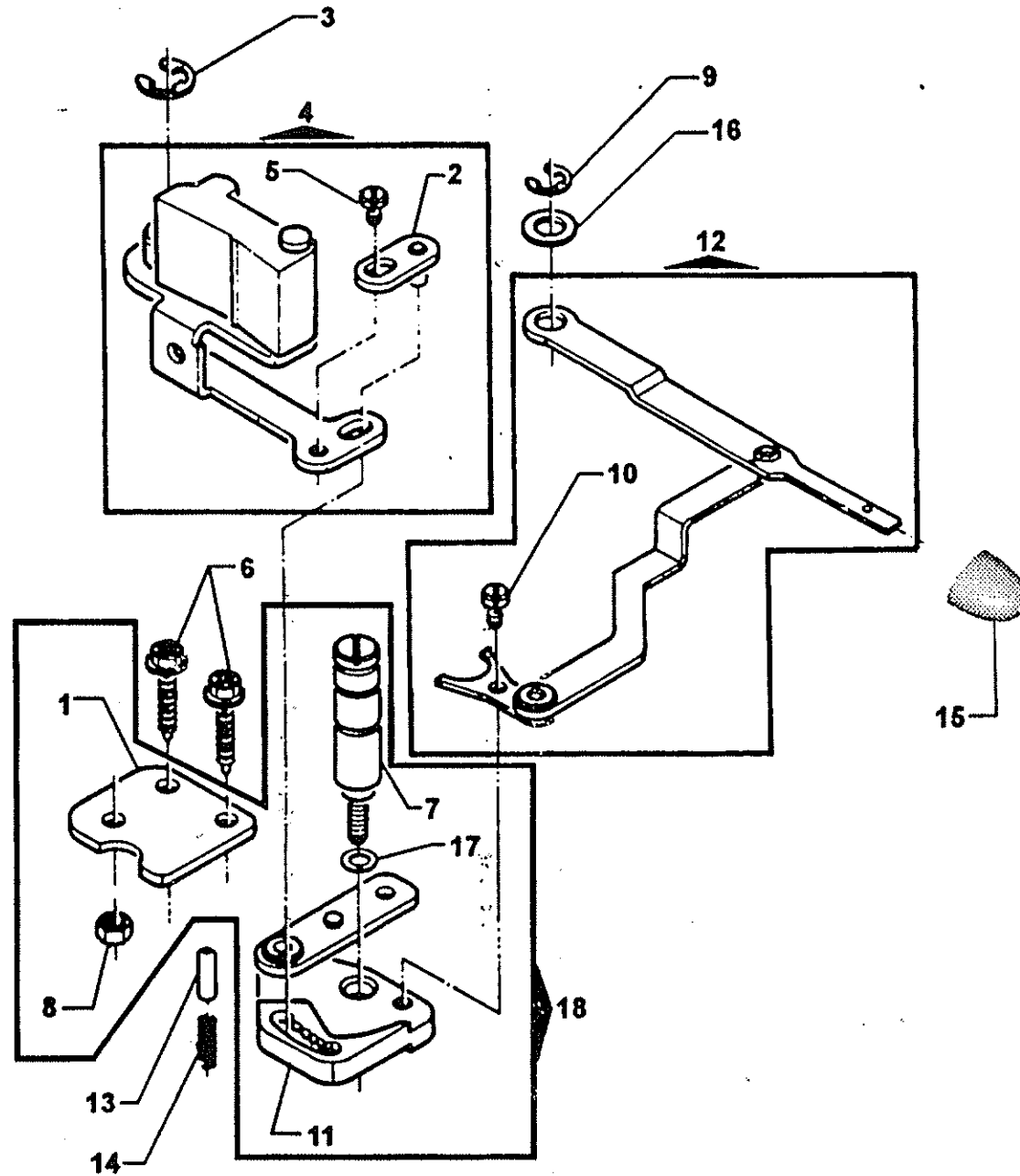
5 **5**
4 **4**
1 **3**
7 **0**

REF.PART NBR

DESCRIPTION

01	179893	BIGHT AMPLITUDE CONTROL LEVER MOUNTING BRACKET COMPLETE	X	X
02	446342	BIGHT AMPLITUDE CONTROL LEVER SUB-ASSEMBLY	X	X
03	139866-451	BIGHT AMPLITUDE CONTROL LEVER SCREW	X	X
04	44556	BUTTONHOLER BIGHT CONTROL CAM FOLLOWER LEVER LINK (LEFT)	X	X
05	446394	BIGHT AMPLITUDE CONTROL LEVER	X	X
06	37246	BIGHT AMPLITUDE CONTROL LEVER LINK	X	X
07	354825-451	BIGHT AMPLITUDE CONTROL LEVER LINK HINGE SCREW	X	X
08	49204	BIGHT AMPLITUDE CONTROL LEVER LINK HINGE SCREW FRICTION WASHER	X	X
09	141913-451	BIGHT AMPLITUDE CONTROL LEVER LINK STOP SCREW	X	X
10	446904	BIGHT AMPLITUDE CONTROL LEVER LINK STOP	X	X
11	531793	BIGHT AMPLITUDE CONTROL LEVER MOUNTING BRACKET	X	X
12	54591-451	BIGHT AMPLITUDE CONTROL LEVER LINK HINGE SCREW NUT	X	X
13	113455-001	BIGHT AMPLITUDE CONTROL LEVER MOUNTING BRACKET SCREW	X	X
14	37933-002	NEEDLE BAR DRIVING ARM	X	X
15	37942	NEEDLE BAR DRIVING ARM TENSION SPRING	X	X
16	445780	LIGHT LEAD SHIELD & NEEDLE BAR DRIVING ARM TENSION SPRING MOUNTING PLATE	X	X
17	113455-001	LIGHT LEAD SHIELD & NEEDLE BAR DRIVING ARM TENSION SPRING MOUNTING PLATE SCREW	X	X
-18	357699- 900	BIGHT AMPLITUDE CONTROL LEVER KNOB (XXX-INDICATES THE COUNTRY)	X	X

NEEDLE POSITION



REV: _____
DATA: May/2000

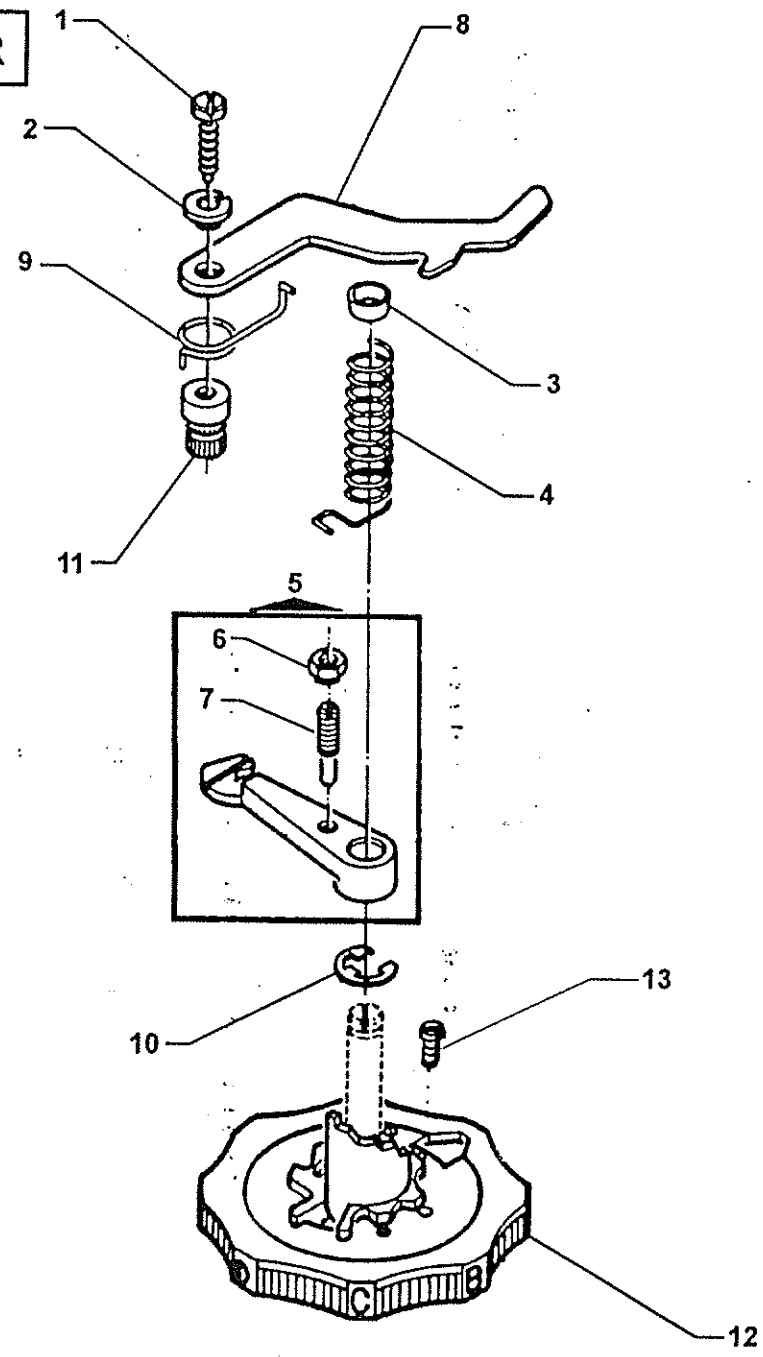
**PARTS LIST
NEEDLE POSITION**

REF. PART NBR	DESCRIPTION	5	5
		4	4
		1	3
		7	0
01 446401	NEEDLE POSITION SELECTOR LEVER ADJUSTING PLATE		
02 531736	NEEDLE POSITION SELECTOR LEVER BRACKET FOLLOWER STUD ARM ASSEMBLY	X	X
03 445721	NEEDLE BAR DRIVING ARM SLIDE BRACKET RETAINING RING	X	X
04 356735-001	NEEDLE BAR DRIVING ARM SLIDE BRACKET COMPLETE	X	X
05 141913-451	NEEDLE POSITION LEVER BRACKET STUD ARM SET SCREW	X	X
06 113455-001	NEEDLE POSITION SELECTOR LEVER ADJUSTING PLATE SCREW	X	X
07 357089	DISC FOLLOWER STUD	X	X
08 54591-451	NEEDLE POSITION SELECTOR LEVER ADJUSTING PLATE SCREW NUT	X	X
09 445486	NEEDLE POSITION SELECTOR LEVER RETAINING RING	X	X
10 141913-451	NEEDLE POSITION SELECTOR LEVER SCREW	X	X
11 44628	NEEDLE POSITION SELECTOR LEVER BRACKET ASSEMBLY	X	X
12 356744	NEEDLE POSITION SELECTOR LEVER COMPLETE	X	X
13 356228	NEEDLE POSITION SELECTOR LEVER BRACKET POSITIONING PIN	X	X
14 444800	NEEDLE POSITION SELECTOR LEVER BRACKET POSITIONING PIN SPRING	X	X
-15 357699-900	NEEDLE POSITION SELECTOR LEVER KNOB - (XXX-INDICATES THE COUNTRY)	X	X
16 49204	NEEDLE POSITION SELECTOR LEVER HINGE STUD WASHER	X	X
17 353585	DISC FOLLOWER STUD COLLAR	X	X
18 356838	NEEDLE POSITION SELECTOR LEVER BRACKET COMPLETE	X	X

5400 SERIES
P/n 357790-002

Adopt.

PATTERN SELECTOR



REV: _____
DATA: May/2000

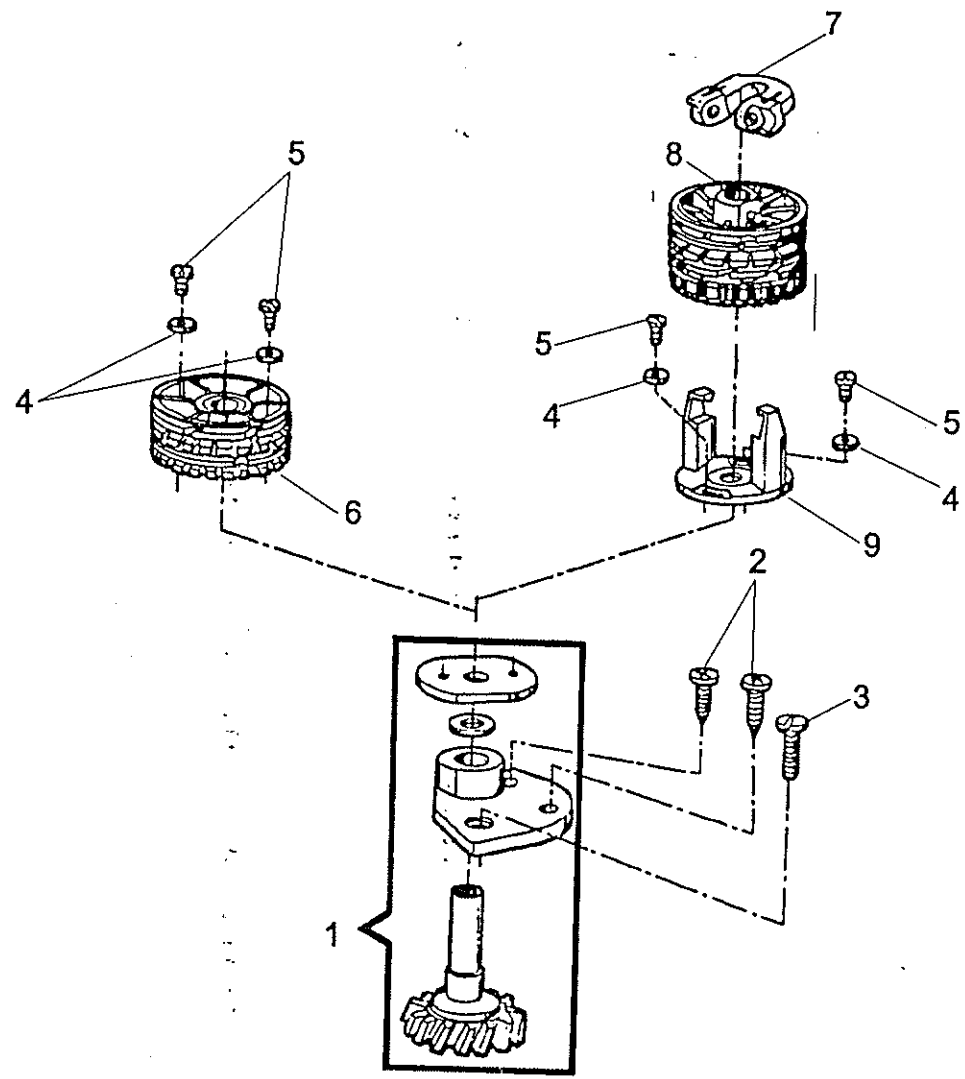
**PARTS LIST
PATTERN SELECTOR**

REF. PART NBR	DESCRIPTION	5	5
		4	4
		1	3
		7	0
01 354826-451	DISC FOLLOWER DISENGAGING LEVER SCREW	X	X
02 356751	DISC FOLLOWER DISENGAGING LEVER BUSHING	X	X
03 353548	DISC FOLLOWER STUD WASHER	X	X
04 356768	DISC FOLLOWER SPRING	X	X
05 356770 000	DISC FOLLOWER COMPLETE	X	X
06 531699-451	DISC FOLLOWER ADJUSTING SCREW STUD NUT	X	X
07 445341	DISC FOLLOWER ADJUSTING SCREW STUD	X	X
08 356750	DISC FOLLOWER DISENGAGING LEVER	X	X
09 356752	DISC FOLLOWER DISENGAGING LEVER SPRING	X	X
10 603908-001	DISC SELECTOR CAM RETAINING RING	X	X
11 357000	DISC FOLLOWER DISENGAGING LEVER STUD	X	X
12 357710-451	PATTERN SELECTOR CAM/DIAL -(XXX-INDICATES THE COUNTRY)	X	X
13 355247-451	PATTERN SELECTOR CAM POSITIONER SCREW	X	X

5400 SERIES
P/n 357790-002

Adopt.

CAM STACK

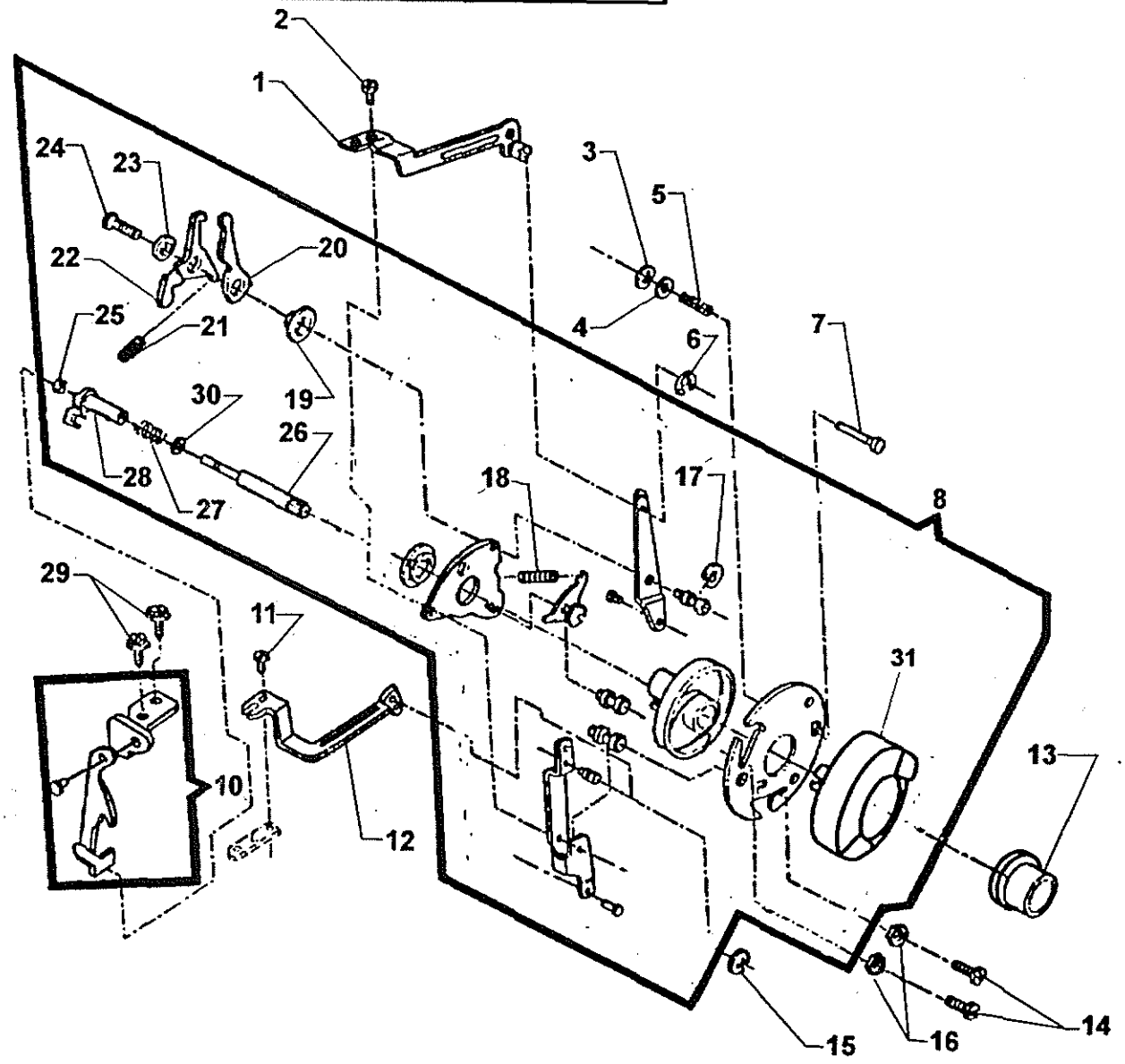


REV: _____
DATA: May/2000

**PARTS LIST
CAM STACK**

REF. PART NBR	DESCRIPTION	5	5
		4	4
		1	3
		7	0
01 356982	DISC DRIVING GEAR SHAFT MOUNTING PLATE ASSEMBLY	X	X
02 113455-012	DISC DRIVING GEAR SHAFT MOUNTING PLATE SCREW	X	X
03 113455-012	DISC DRIVING GEAR SHAFT MOUNTING PLATE SCREW	X	X
04 356830-003	DISC STACK POSITIONING SCREW WASHER	X	X
05 141920-451	DISC STACK POSITIONING SCREW	X	X
06 356995	DISC STACK (PLASTIC)	X	-
07 356965-451	DISC STACK POSITIONING SCREW WASHER	-	X
08 357728-000	DISC STACK POSITIONING SCREW	-	X
09 356971	DISC DRIVING PLATE	-	X

BUTTONHOLER & FEED REGULATOR CAM



REV: _____
DATA: May/2000

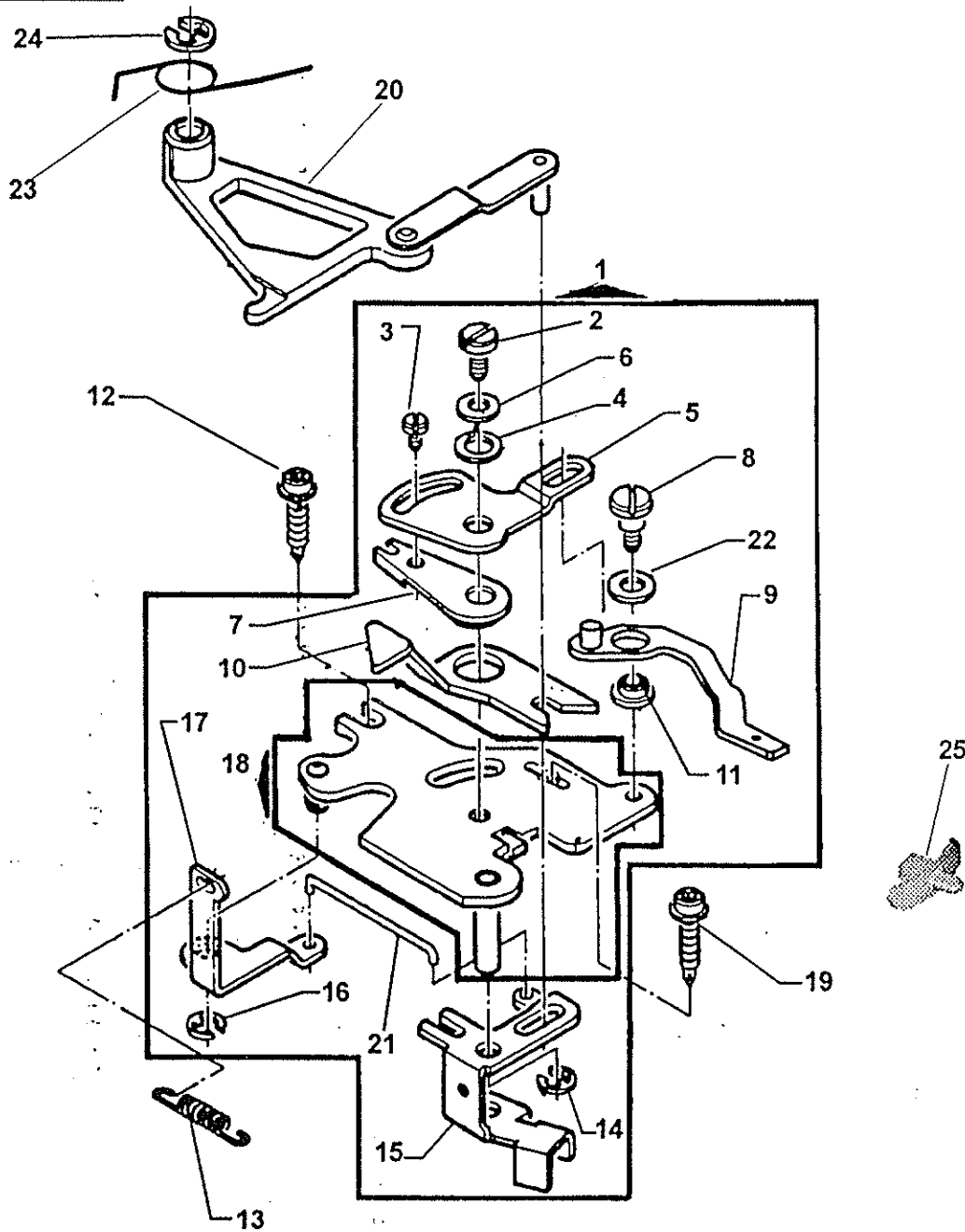
PARTS LIST
BUTTONHOLER AND FEED REGULATOR CAM

REF. PART NBR	DESCRIPTION	5	5
		4	4
		1	3
		7	0
01 353536	BH.NEEDLE POSITION CAM FOLLOWER LEVER LINK (RIGHT)	X	X
02 141913-451	BH.ND.POS.CAM FOLLOWER LEVER LINK (LEFT & RIGHT) SCREW	X	X
03 408030	BH.& FEED REGULATOR MECHANISM MTG.PLATE STUD RET.RING	X	X
04 445808	BH.& FEED REG.MECH.MTG.PLATE STUD SPRING WASHER	X	X
05 179949	BUTTONHOLER & FEED REG.MECH.MTG.PLATE STUD SPRING	X	X
06 445486	BH.BIGHT CONTROL CAM FOL.LEVER LINK (RIGHT) RET.RING	X	X
07 356230	BUTTONHOLER & FEED REGULATOR MECH.MTG.PLATE STUD	X	X
08 357738-XXX	BUTTONHOLER & FEED REGULATOR CAM COMPLETE(XXX-INDICATES THE COUNTRY)	X	X
08 357770-002	BUTTONHOLER & FEED REGULATOR CAM COMPLETE(XXX-INDICATES THE COUNTRY)	X	X
10 353304	FEED REGULATOR CONTROL ARM ASSEMBLY	X	X
11 141913-451	BUT. BIGHT CONT. CAM FOL. LEVER LINK(LEFT & RIGHT)SCREW	X	X
12 356748	BH.BIGHT CONTROL CAM FOLLOWER LEVER LINK (RIGHT)	X	X
13 357736-004	FEED REGULATOR POSITIONING PIN KNOB (XXX-INDICATES THE COUNTRY)	X	X
14 113513-451	BUTTONHOLER & FEED REGULATOR MECH.MTG.PLATE SCREW	X	X
15 445486	BH.RIGHT CONTROL CAM FOL.LEVER LINK (RIGHT) RET.RING	X	X
16 53640-819	BUTTONHOLER & FEED REG.MECH.MTG.PLATE SCREW NUT	X	X
17 353215	BUTTONHOLER NEEDLE POS.CAM FOLLOWER LEVER RET.RING	X	X
18 353495	BUTTONHOLER & FEED REG.CONTROL DIAL PAWL SPRING	X	X
19 353319	CAM CONTROL FEED ENG.CAM FOLLOWER & LEVER BUSHING	X	X
20 353321	CAM CONTROL FEED ENGAGING CAM FOLLOWER LEVER	X	X
21 353495	CAM CONTROL FEED ENG.CAM FOLLOWER & LEVER SPRING	X	X
22 353320	CAM CONTROL FEED ENGAGING CAM FOLLOWER	X	X
23 445539	CAM CONTROL FEED ENG.CAM FOLLOWER & LEVER WASHER	X	X
24 113372-451	CAM CONTROL FD.ENG.CAM FOLLOWER & LEVER MTG.SCREW	X	X
25 618638-005	FEED REGULATOR POSITIONING PIN CARRIER INSERT NUT	X	X
26 356650	FEED REGULATOR POSITIONING PIN	X	X
27 44892	FEED REGULATOR POSITIONING PIN FRICTION SPRING	X	X
28 357094	FEED REGULATOR POSITIONING PIN CARRIER	X	X
29 113455-001	FEED REGULATOR CONTROL ARM SCREW	X	X
30 356830-001	FEED REGULATOR POSITIONING PIN WASHER	X	X
31 357697-001	BUTTONHOLER AND FEED REGULATOR DIAL (XXX-INDICATES THE COUNTRY)	X	X

5400 SERIES
P/n 357790-002

Adopt.

CAM CONTROLLED FEED



REV: _____
DATA: May/2000

PARTS LIST
CAM CONTROLLED FEED

5 **5**
4 **4**
1 **3**
7 **0**

REF. PART NBR

DESCRIPTION

01	357742-000	CAM CONTROLLED FEED MOUNTING BRACKET COMPLETE	-	X
02	113423-451	CAM CONTROLLED FEED BALANCE ADJUSTING PLATE HINGE SCREW	-	X
03	141913-451	CAM CONTROLLED FEED BALANCE ADJUSTING SCREW	-	X
04	353492	CAM CONTROLLED FEED BALANCE ADJUSTING SCREW SPRING WASHER	-	X
05	531754	CAM CONTROLLED FEED BALANCE ADJUSTING PLATE	-	X
06	543531	CAM CONTROLLED FEED BALANCE ADJUSTING SCREW WASHER	-	X
07	353331	CAM CONTROLLED FEED DRIVING ARM ECCENTRIC	-	X
08	113424-451	CAM CONTROLLED FEED BALANCE ADJUSTING LEVER HINGE SCREW	-	X
09	357727-000	CAM CONTROLLED FEED BALANCE ADJUSTING LEVER ASSEMBLY	-	X
10	353330-001	CAM CONTROLLED FEED DRIVING ARM	-	X
11	353334	CAM CONTROLLED FEED BALANCE ADJUSTING LEVER MOUNTING BUSHING	-	X
12	355243-451	CAM CONTROLLED FEED MOUNTING BRACKET SCREW	-	X
13	356605	FEED REGULATOR CONTROL ARM BIAS LINK SPRING	-	X
14	445721	CAM CONTROLLED FEED ENGAGING CRANK RETAINING RING	-	X
15	353329	CAM CONTROLLED FEED ENGAGING CRANK	-	X
16	445486	CAM CONTROLLED FEED FOLLOWER & LINK RETAINING RING	-	X
17	356166	CAM CONTROLLED FEED ENGAGING CRANK LEVER	-	X
18	531750	CAM CONTROLLED FEED MOUNTING BRACKET ASSEMBLY	-	X
19	113455-003	CAM CONTROLLED FEED MOUNTING BRACKET SCREW (RIGHT)	-	X
20	356839	CAM CONTROLLED FEED FOLLOWER & LINK ASSEMBLY	-	X
21	353473	CAM CONTROLLED FEED ENGAGING CRANK LINK	-	X
22	179898-001	CAM CONTROLLED FEED BALANCE ADJUSTING LEVER WASHER	-	X
23	357003	CAM CONTROLLED FEED FOLLOWER DISENGAGING SPRING	-	X
24	445486	CAM CONTROLLED FEED FOLLOWER & LINK ASSEMBLY RETAINING RING	-	X
25	357700-900	CAM CONTROLLED FEED BALANCE ADJUSTING LEVER KNOB (XXX-INDICATES THE COUNTRY)	-	X

5400 SERIES
P/n 357790-002

Adopt.

PARTS LIST
FEED SYSTEM

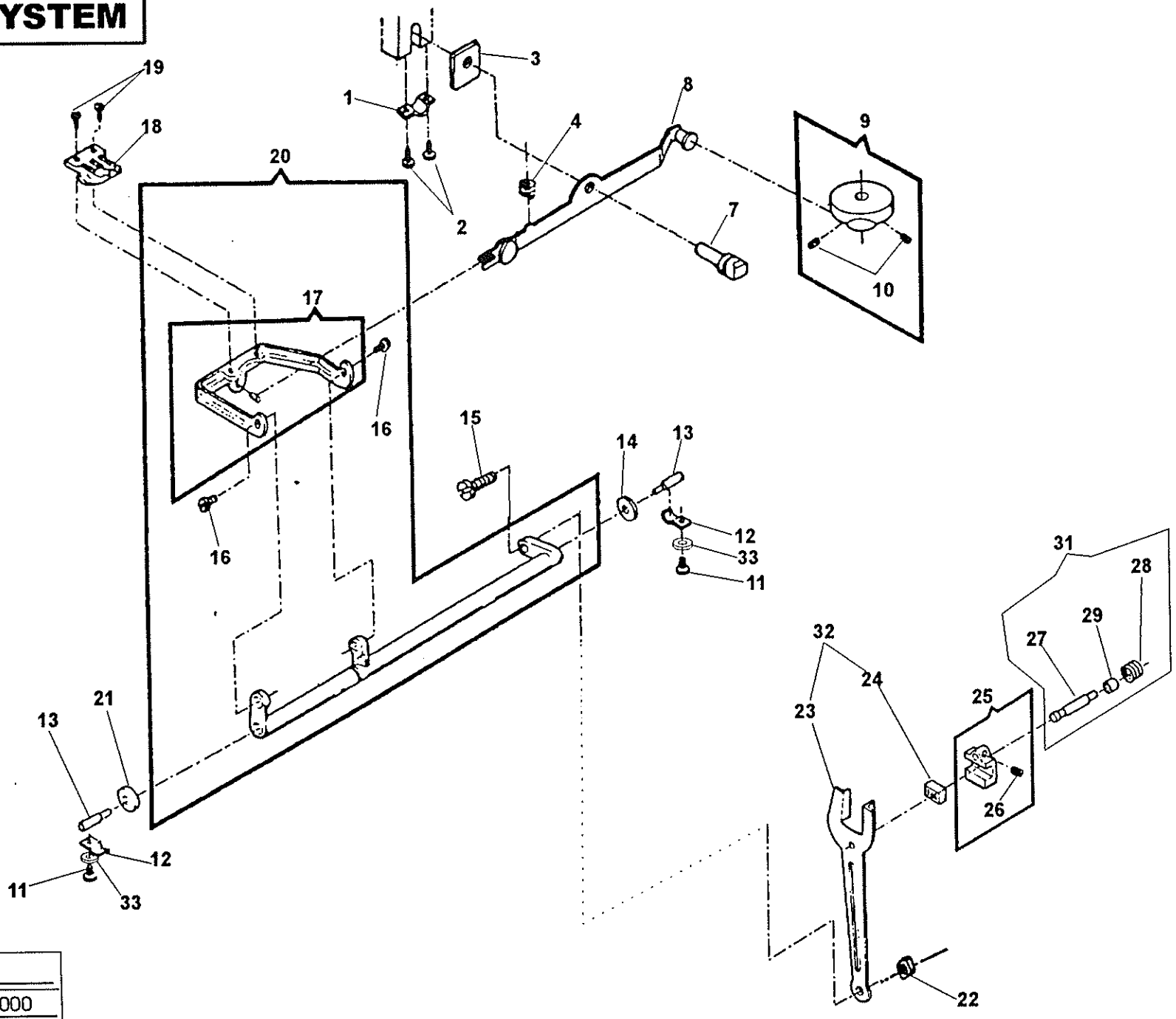
5 **5**
4 **4**
1 **3**
7 **0**

REF. PART NBR

DESCRIPTION

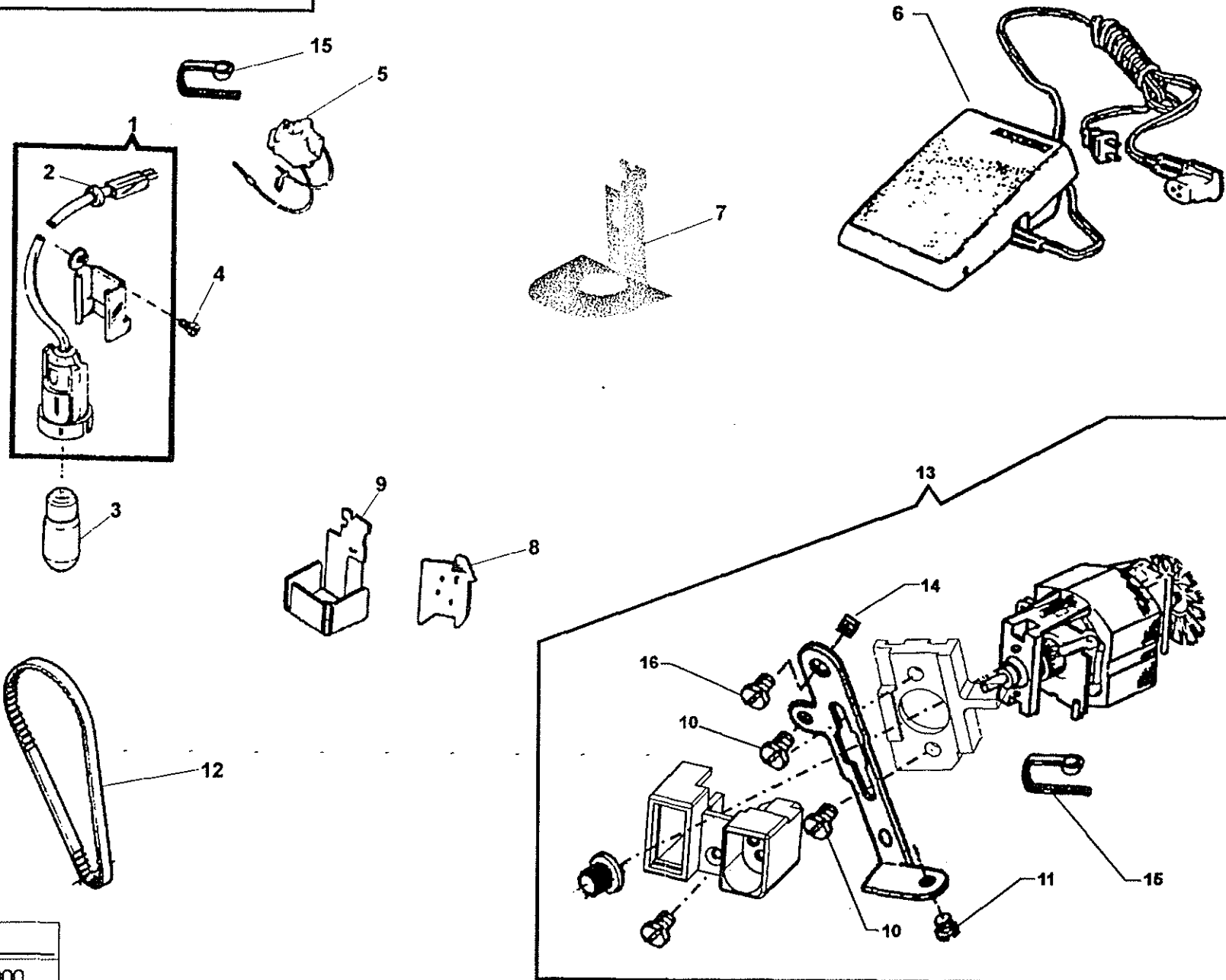
REF. PART NBR	DESCRIPTION	5	4
01 446485	FEED LIFTING LEVER HINGE STUD (ECCENTRIC) CLAMP	X	X
02 113455-001	FEED LIFTING LEVER HINGE STUD (ECCENTRIC) CLAMP SCREW	X	X
03 179955	FEED LIFTING LEVER HINGE STUD (ECCENTRIC) SPACER	X	X
04 446249	FEED LIFTING LEVER SPRING	X	X
07 357122-001	FEED LIFTING LEVER HINGE STUD (ECCENTRIC)	X	X
08 356222	FEED LEFTING LEVER ASSEMBLY	X	X
09 446228	FEED LIFTING CAM	X	X
10 544118	FEED LIFTING CAM SCREW	X	X
11 113455-001	FEED ROCK SHAFT CENTER SUPPORTING BRACKET SCREW	X	X
12 446484	FEED ROCK SHAFT CENTER CLAMP (LEFT & RIGHT)	X	X
13 446487-001	FEED ROCK SHAFT CENTER	X	X
14 353397	FEED ROCK SHAFT CENTER (RIGHT)NOISE DAMPENING WASHER	X	X
15 531623-451	FEED FORKED CONNECTION HINGE SCREW (ECCENTRIC)	X	X
16 354939-451	FEED BAR HINGE SCREW	X	X
17 446205	FEED BAR ASSEMBLY	X	X
18 179891	FEED DOG	X	X
19 355235-451	FEED DOG SCREW	X	X
20 446216	FEED ROCK SHAFT COMPLETE	X	X
21 353397	FEED ROCK SHAFT CENTER (LEFT) NOISE DAMPENING WASHER	X	X
22 53648-451	FEED FORKED CONNECTION SCREW STUD NUT	X	X
23 531926	FEED FORKED CONNECTION	X	X
24 44437	FEED FORKED CONNECTION SLIDE BLOCK	X	X
25 446244	FEED REGULATOR ASSEMBLY	X	X
26 141925-833	FEED REGULATOR SET SCREW	X	X
27 446483	FEED REGULATOR HINGE STUD	X	X
28 179890	FEED REGULATOR RETURN SPRING	X	X
29 445768	FEED REGULATOR RETURN SPRING BUSHING (PLASTIC)	X	X
31 353600	FEED REGULATOR HINGE STUD ASSEMBLY	X	X
32 357641-000	FEED FORKED CONNECTION WITH SLIDE BLOCK	X	X
33 353357-451	FEED ROCK SHAFT CENTER SUP.BRACKET SCREW WASHER	X	X

FEED SYSTEM



REV: _____
DATA: May/2000

ELECTRIC EQUIPMENT



REV: _____
DATE: May/2000

**PARTS LIST
ELECTRICAL EQUIPMENT**

**5 5
4 4
1 3
7 0**

REF. PART NBR

DESCRIPTION

01	362001-007	LIGHT LEAD COMPLETE L15 (NON-REG.)	X	X
01	362160-002	LIGHT LEAD COMPLETE L15B (USA/CANADA)	X	X
01	362160-003	LIGHT LEAD COMPLETE L15B (USA/DOUBLE INSULATED)	X	X
01	605488-025	LIGHT LEAD COMPLETE L9 (EUROPE)	X	X
02	179908	LIGHT LEAD GROMMET	X	X
03	988076-001	LAMP (120V)	X	X
03	988076-003	LAMP (220/250V)	X	X
04	354592-451	LIGHT SOCKET MOUNTING SCREW	X	X
05	362307-001	SWITCH COMPLETE	X	X
06	362095-002	CONTROLLER	X	X
07	357778-000	LIGHT SHIELD	X	X
08	179910-XXX	LIGHT SHIELD	X	X
09	605087-001	HEAT SHIELD (EUROPE)	X	X
10	362264-901	MOTOR MOUNTING PLATE CLAMP SCREW	X	X
11	113370-451	MOTOR MOUNTING PLATE SCREW (LOWER)	X	X
12	353518-001	MOTOR BELT (V)	X	X
13	362180-016	MOTOR COMPLETE	X	X
14	313470-452	MOTOR MOUNTING PLATE SCREW NUT	X	X
15	605600-004	TYE RAP	X	X
16	113372-451	MOTOR MOUNTING PLATE SCREW (UPPER)	X	X