

5417C

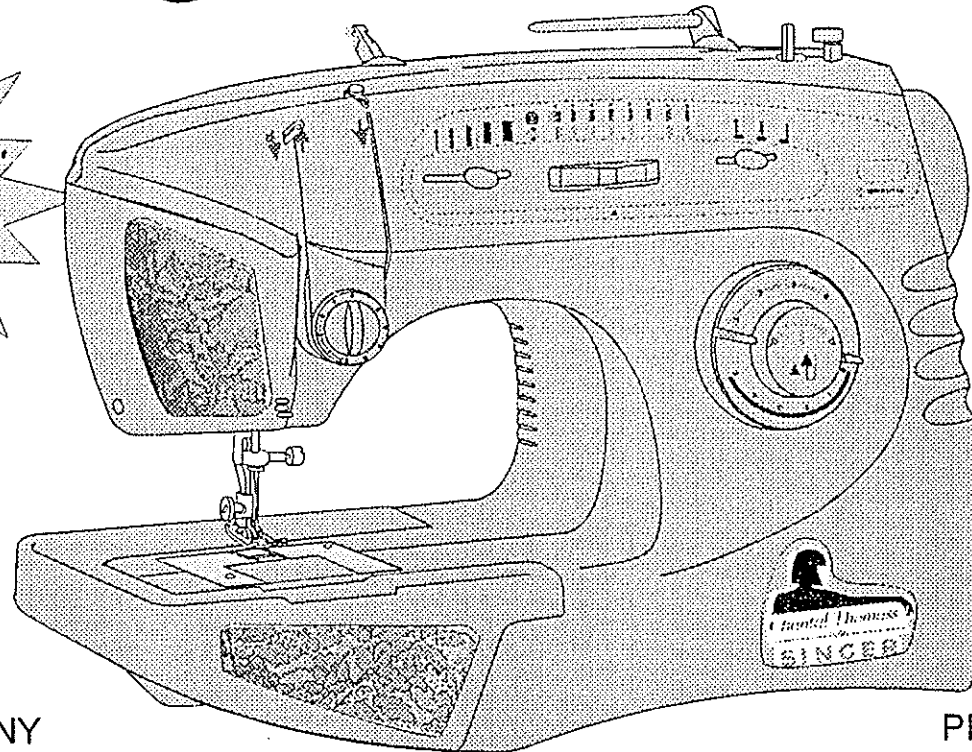
# LIST OF PARTS

5430C

## SEWING MACHINE SERIES

# 5400

ONLY FOR  
"CHANTALL THOMASS"  
MODEL



THE SINGER COMPANY  
© 2000 SINGER DO BRASIL  
ALL RIGHTS RESERVED

PRINTED IN BRAZIL  
P/N 357790-002\_A  
DEC/2000

INFORMATION  
TECHNIQUE

SINGER S.A.V.

DESTINATAIRES

CONTROLE QUALITE

S.A.V.

MARKETING

MAGASINS

FRANCHISE

PRESTATAIRES

DATE 23 JAN. 2008

N° MATERIEL CONCERNE :

MACHINE A COUDRE "CHANTAL THOMASS"

Ci-joint, la vue éclatée de la machine à coudre Chantal Thomass

## **INDEX**

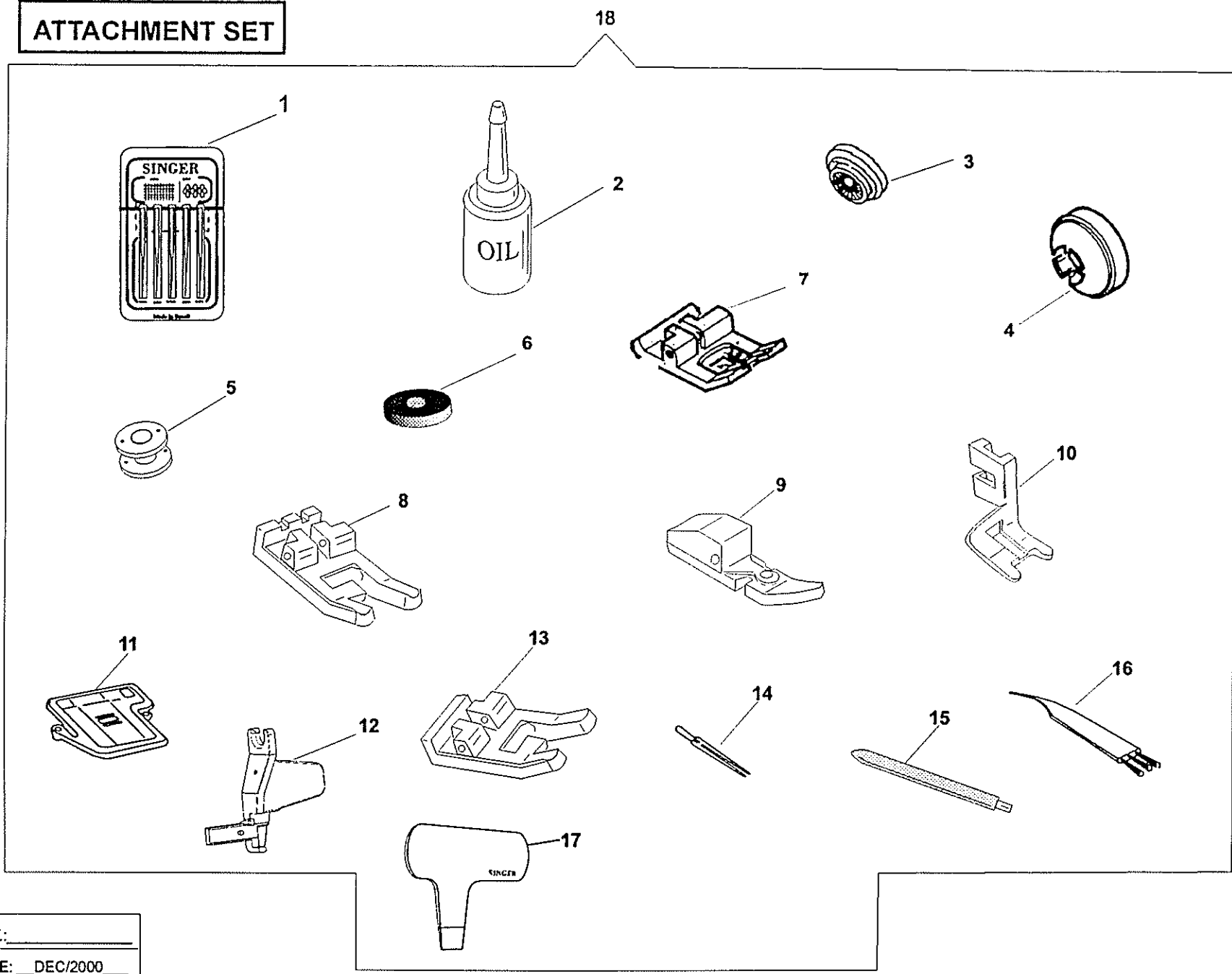
**PAGE NBR.**

**SUB-ASSEMBLY**

---

01 - 02	ATTACHMENT SET
03 - 04	OPTIONAL ACCESSORIES (OVER-THE-COUNTER)
05 - 06	ARM, BED, THROAT PLATE & BED SLIDE
07 - 08	COVERS
09 - 10	OTHERS COVERS
11 - 12	NEEDLE BAR
13 - 14	PRESSER BAR
15 - 16	ARM SHAFT DRIVE
17 - 18	HAND WEEL
19 - 20	TENSION MECHANISM
21 - 22	HOOK SYSTEM
23 - 24	BIGHT AMPLITUDE
25 - 26	NEEDLE POSITION
27 - 28	PATTERN SELECTOR
29 - 30	CAM STACK
31 - 32	BUTTONHOLER & FEED REGULATOR CAM
33 - 34	CAM CONTROLLED FEED
35 - 36	FEED SYSTEM
37 - 38	ELECTRICAL EQUIPMENT

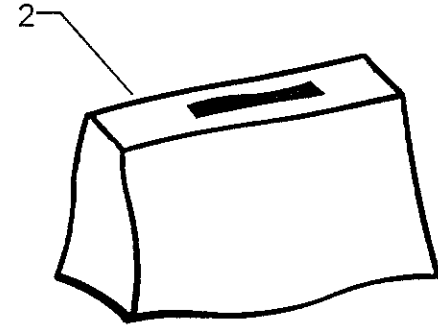
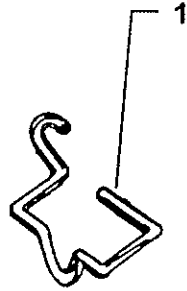
ATTACHMENT SET



REV: \_\_\_\_\_  
DATE: \_\_DEC/2000\_\_

REF.PART NBR	PARTS LIST		5	5
	ATTACHMENT SET		4	4
	DESCRIPTION		1	3
			7	0
01	353364	NEEDLE PACK (INCLUDES 1 EA. N2020 SIZE 11/14/15 & N2045 SIZE 11/14)	X	X
02	357004-001	OIL CONTAINER	X	X
03	179967-462	ARM TOP COVER SPOOL PIN THREAD LEAD-OFF	X	X
04	507664-468	ARM TOP COVER SPOOL PIN THREAD LEAD-OFF (SMALL PLASTIC)	X	X
05	172336	BOBBIN (PLASTIC)	X	X
06	8879-656	ARM SPOOL PIN WASHER (FELT)	X	X
07	446492-451	SPECIAL PURPOSE PRESSER FOOT PLATE (SNAP-ON)	X	X
08	161927	PRESSER FOOT PLATE (SNAP-ON) FOR SEWING BUTTONHOLES	X	X
09	507836	PRESSER FOOT PLATE (SNAP-ON) COMPLETE FOR CORDING & SLIDE FASTERNERS	X	X
10	179911-000	PRESSER FOOT PLATE FOR STRAIGHT STITCH	X	X
11	313117	FEED COVER PLATE (PLASTIC)	X	X
12	357350-001	NEEDLE THREADER	X	X
13	356630	BLIND STITCH GUIDE	X	X
14	531868-000	NEEDLE PACK WITH NEEDLE 2025 SIZE 14	X	X
15	356942-454	ARM TOP COVER SPOOL PIN	X	X
16	546358-000	LINT BRUSH	X	X
17	357306-000	SCREW DRIVER	X	X
18	357767-000	ATTACHMENT SET COMPLETE	X	X

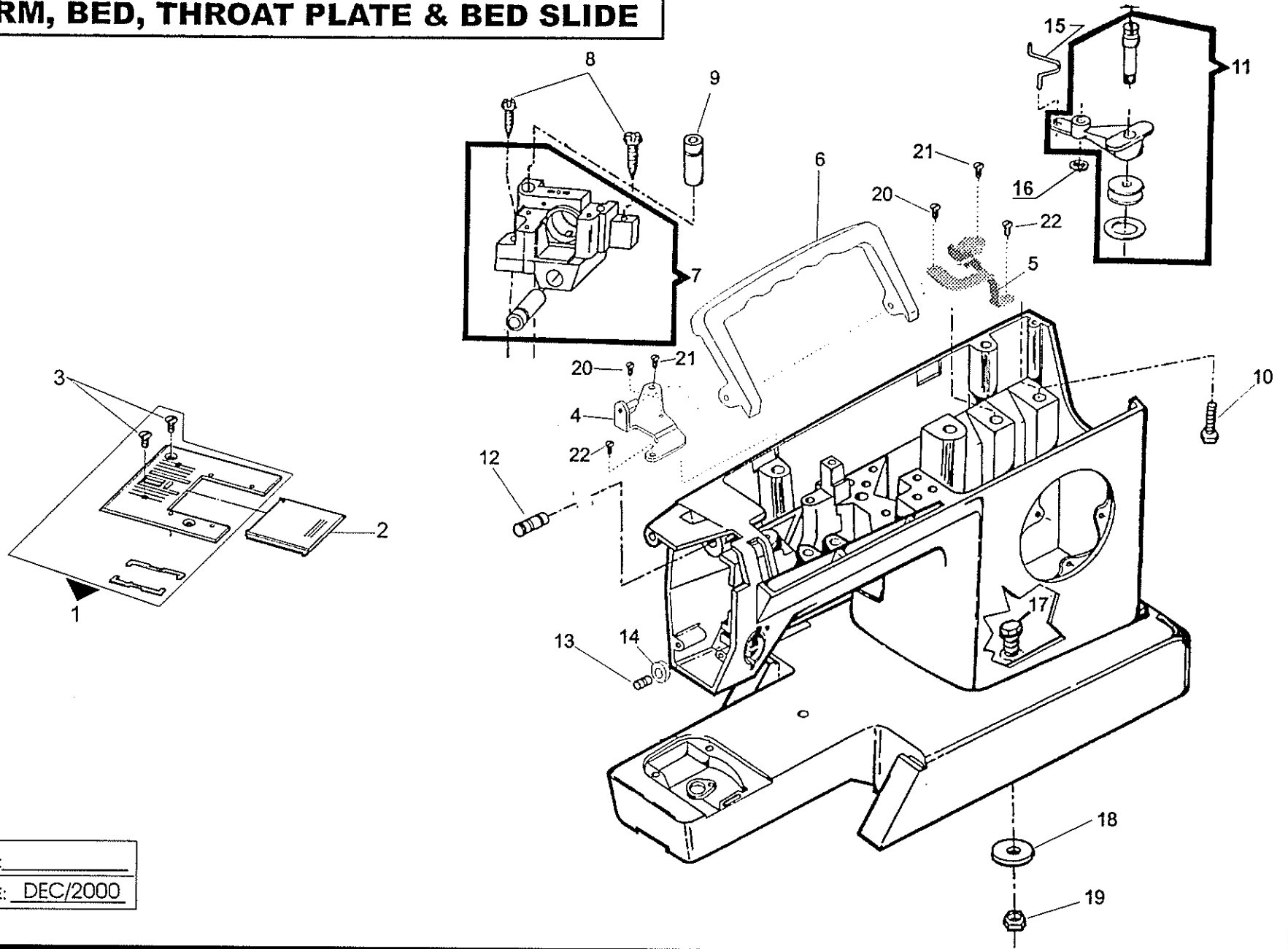
OPTIONAL ACCESSORIES



REV: \_\_\_\_\_  
DATE: DEC/2000

REF.PART NBR	PARTS LIST OPTIONAL ACCESSORIES OVER-THE-COUNTER DESCRIPTION	5	5
		4	4
		1	3
		7	0
01 116863	FINGER GUARD	X	X
02 357792-453	SOFT VINYL COVER W/ SINGER LOGO	X	X

# ARM, BED, THROAT PLATE & BED SLIDE



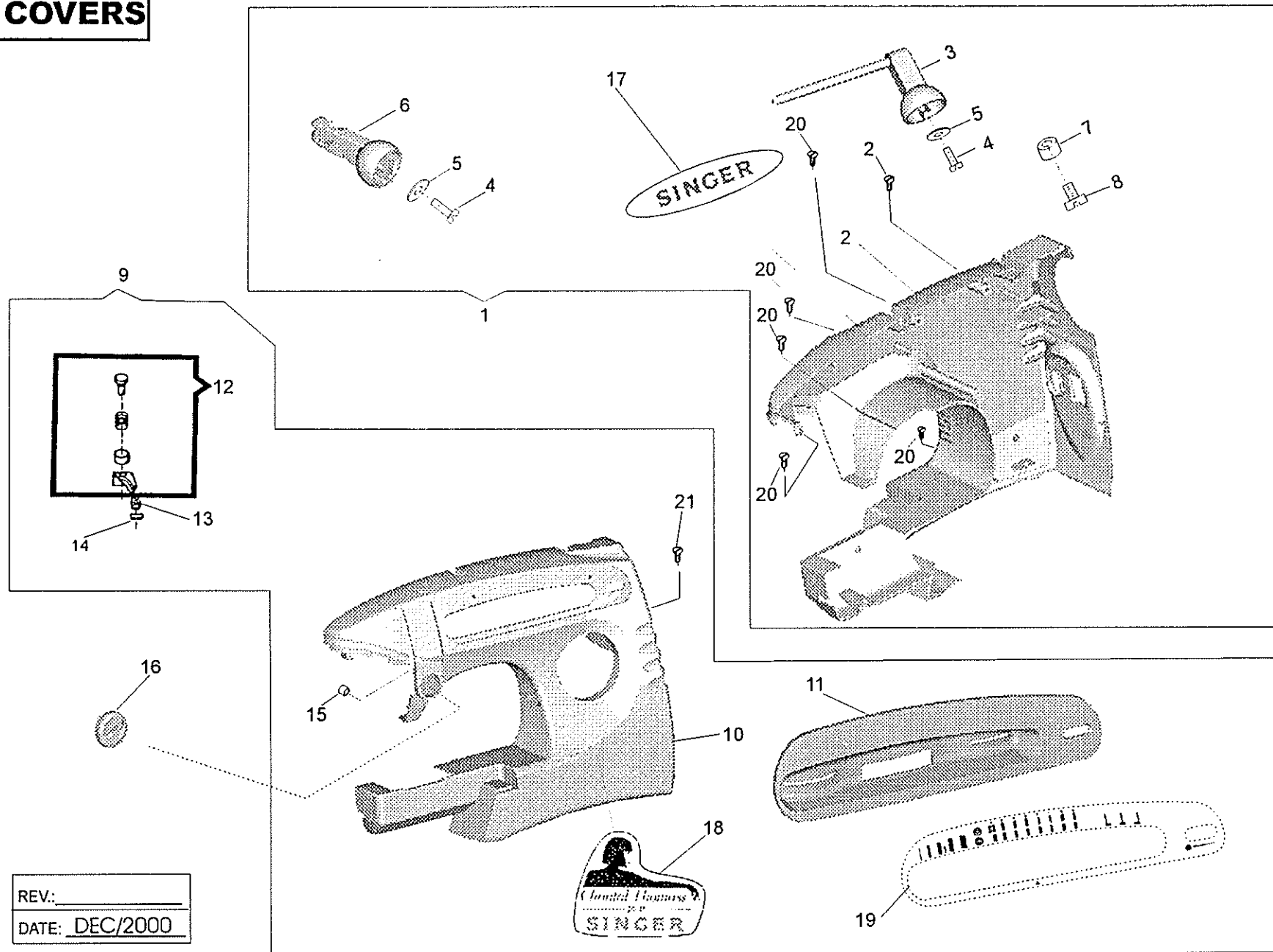
REV: \_\_\_\_\_  
DATE: DEC/2000



**PARTS LIST**  
**ARM, BED, THROAT PLATE & BED SLIDE**

REF. PART NBR	DESCRIPTION	5	5
		4	4
		1	3
		7	0
01 357745-001	THROAT PLATE FOR ZIG-ZAG	X	X
02 357191-001	ROTATING HOOK BOBBIN VISOR	X	X
03 357777-451	THROAT PLATE SET SCREW	X	X
04 357720-000	MACHINE HANDLE MOUNTING BRACKET (LEFT)	X	X
05 357740-001	MACHINE HANDLE MOUNTING BRACKET (RIGHT)	X	X
06 357703-901	MACHINE HANDLE	X	X
07 357017-002	ARM SHAFT (REAR) HOUSING ASSEMBLY	X	X
08 113455-006	ARM SHAFT (REAR) HOUSING MOUNTING SCREW	X	X
09 357019	ARM TOP COVER SUPPORT STUD	X	X
10 357020-451	ARM SHAFT (REAR) HOUSING MOUNTING BOLT	X	X
11 531767-454	BOBBIN WINDER ASSEMBLY	X	X
12 357725-000	THREAD TAKE-UP LEVER LINK HINGE STUD	X	X
13 357438-001	TENSION RELEASING LEVER HINGE PIN	X	X
14 357464-002	TENSION RELEASING LEVER HINGE PIN WASHER	X	X
15 531766-000	BOBBIN WINDER HINGE STUD SPRING	X	X
16 445486-000	BOBBIN WINDER RETAINING RING	X	X
17 355250-451	BED(BOTTOM) COVER & CABINET BOLT	X	X
18 353375-451	BED(BOTTOM) COVER & CABINET BOLT WASHER	X	X
19 514608-000	BED (BOTTOM) COVER & CABINET BOLT NUT	X	X
20 113424-451	FRONT COVER MOUNTING SCREW	X	X
21 355243-451	REAR COVER MOUNTING SCREW	X	X
22 113455-009	FRONT COVER MOUNTING SCREW	X	X

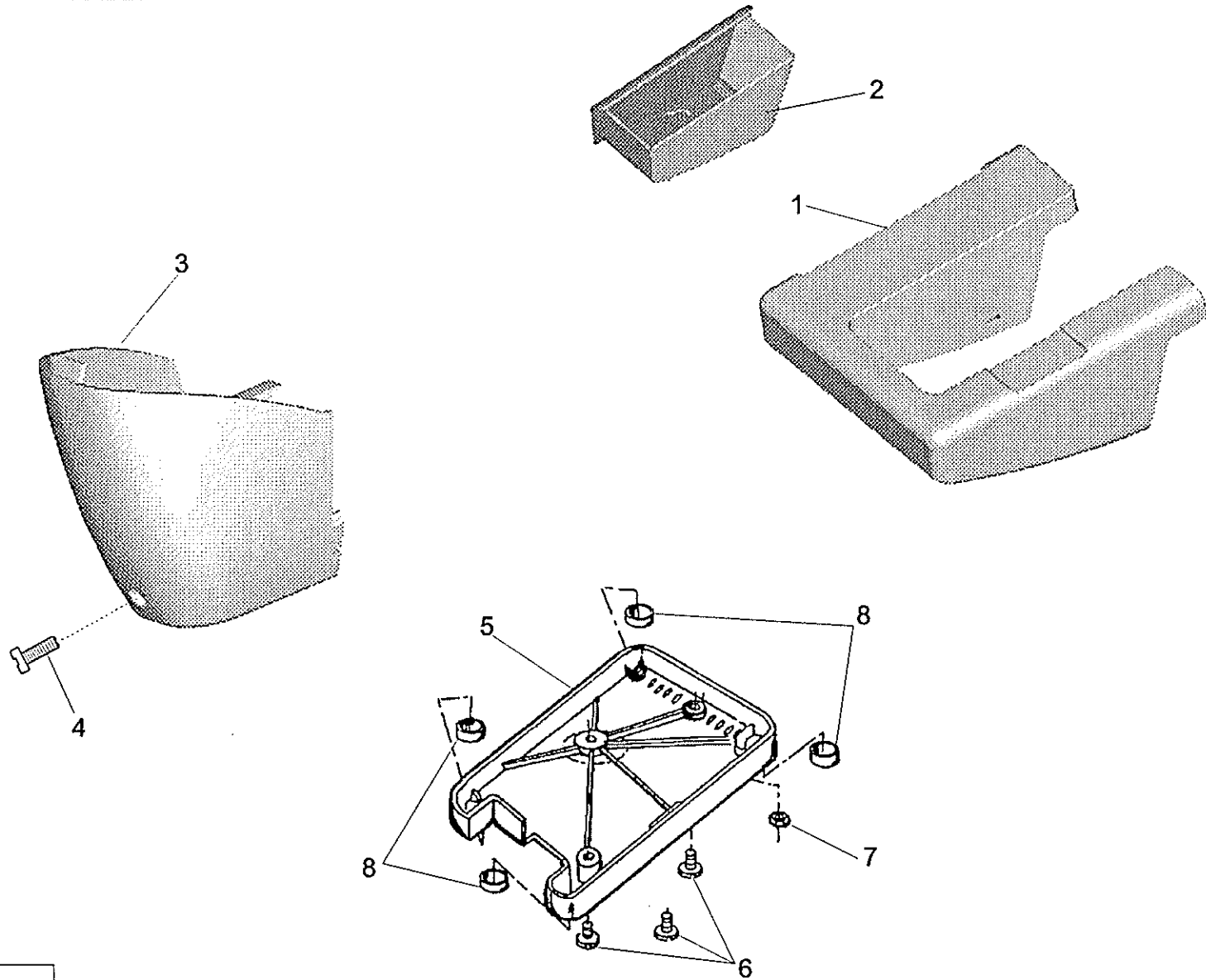
# COVERS



REV.: \_\_\_\_\_  
DATE: DEC/2000

		<b>PARTS LIST</b>	<b>5</b>	<b>5</b>
		<b>COVERS</b>	<b>4</b>	<b>4</b>
			<b>1</b>	<b>3</b>
<b>REF.PART NBR</b>	<b>DESCRIPTION</b>		<b>7</b>	<b>0</b>
01	357732-010 REAR COVER COMPLETE	X		X
02	357733-008 REAR COVER WITH GRAPHICS	X		X
03	357704-901 SPOOL PIN	X		X
04	356116-451 SPOOL PIN SCREW	X		X
05	446138-000 SPOOL PIN SCREW WASHER	X		X
06	357705-901 THREAD GUIDE	X		X
07	357718-901 BOBBIN WINDER STOP	X		X
08	113375-452 BOBBIN WINDER STOP SCREW	X		X
09	357729-010 FRONT COVER COMPLETE	X		X
10	357730-004 FRONT COVER WITH GRAPHICS	-		X
11	357712-903 CONTROL PANEL WITH GRAPHICS	X		X
12	356047-000 BOBBIN WINDER TENSION COMPLETE	X		X
13	141936-833 BOBBIN WINDER TENSION BRACKET ADJUSTING SCREW	X		X
14	44794-000 BOBBIN WINDER TENSION BRACKET ADJUSTING SCREW RETAINING CLIP	X		X
15	356127-000 RETAINING RING	X		X
16	357734-006 TENSION MECHANISM DIAL WITH GRAPHICS	X		X
17	357760-901 "SINGER" RESIN FOR REAR COVER	X		X
18	357800-901 "CHANTAL THOMAS" RESIN FOR FRONT COVER	X		X
19	357758-904 PANEL RESIN	-		X
20	355263-451 REAR COVER MOUNTING SCREW	X		X
21	113424-451 FRONT COVER MOTOR MOUNTING PLATE SCREW	X		X

**OTHERS COVERS**



REV: \_\_\_\_\_  
DATE: DEC/2000

**PARTS LIST  
OTHERS COVERS**

**5 5  
4 4  
1 3  
7 0**

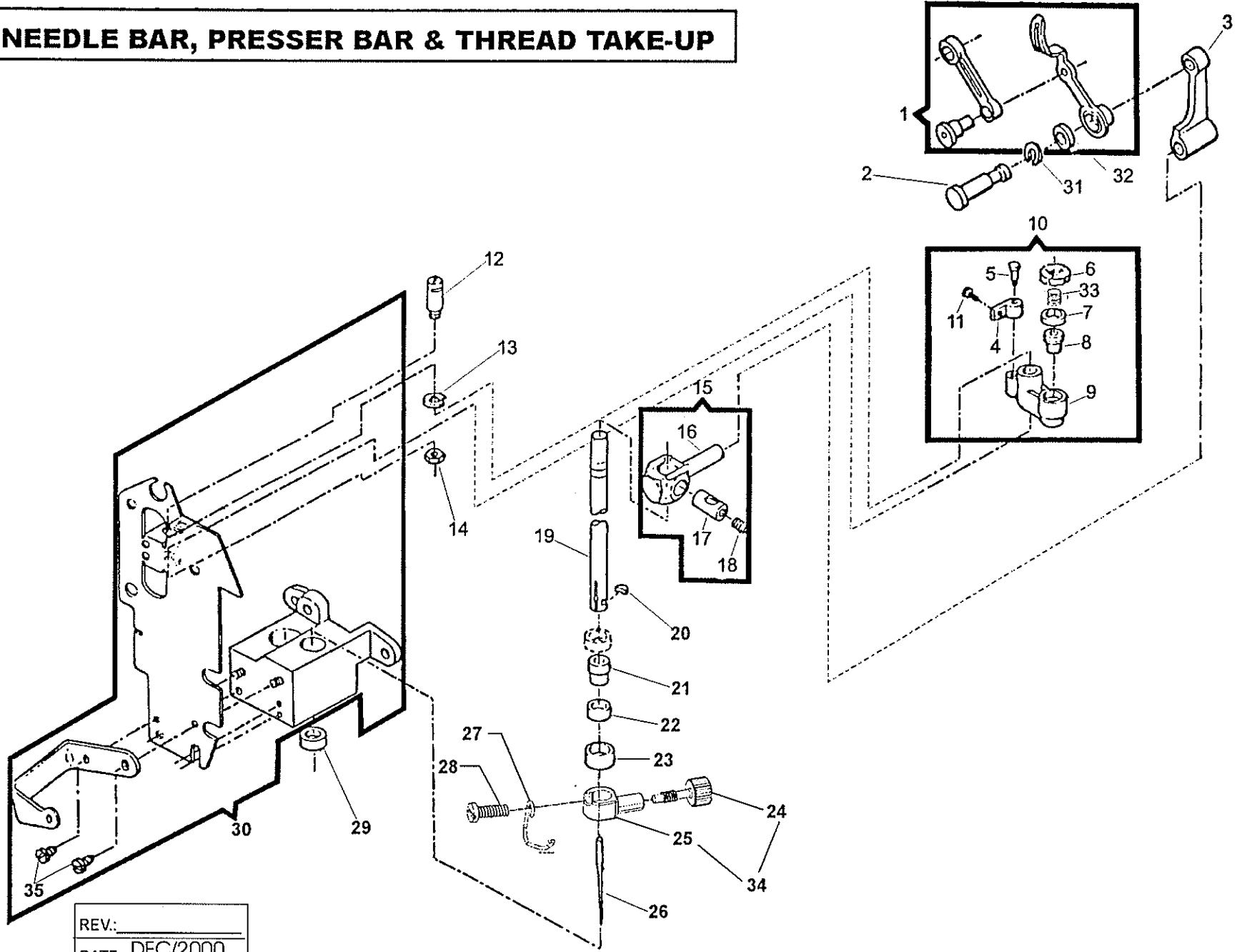
**REF.PART NBR**

**DESCRIPTION**

---

1 <del>02</del>	357701-452	BED EXTENSION WITH LABEL	X	X
2 <del>03</del>	357702-901	ATTACHMENT BOX	X	X
3 <del>04</del>	357769-003	FACE PLATE COMPLETE WITH LABEL	X	X
4 <del>05</del>	354133-453	FACE PLATE SCREW	X	X
5 <del>06</del>	357782-900	BED (BOTTOM) COVER (PLASTIC) WITH BED CUSHION	X	X
6 <del>07</del>	113455-001	BED (BOTTOM) COVER FASTENING SCREW	X	X
7 <del>08</del>	514608-000	BED (BOTTOM) COVER FASTENING SCREW NUT	X	X
8 <del>09</del>	357797-451	BED CUSHION	X	X

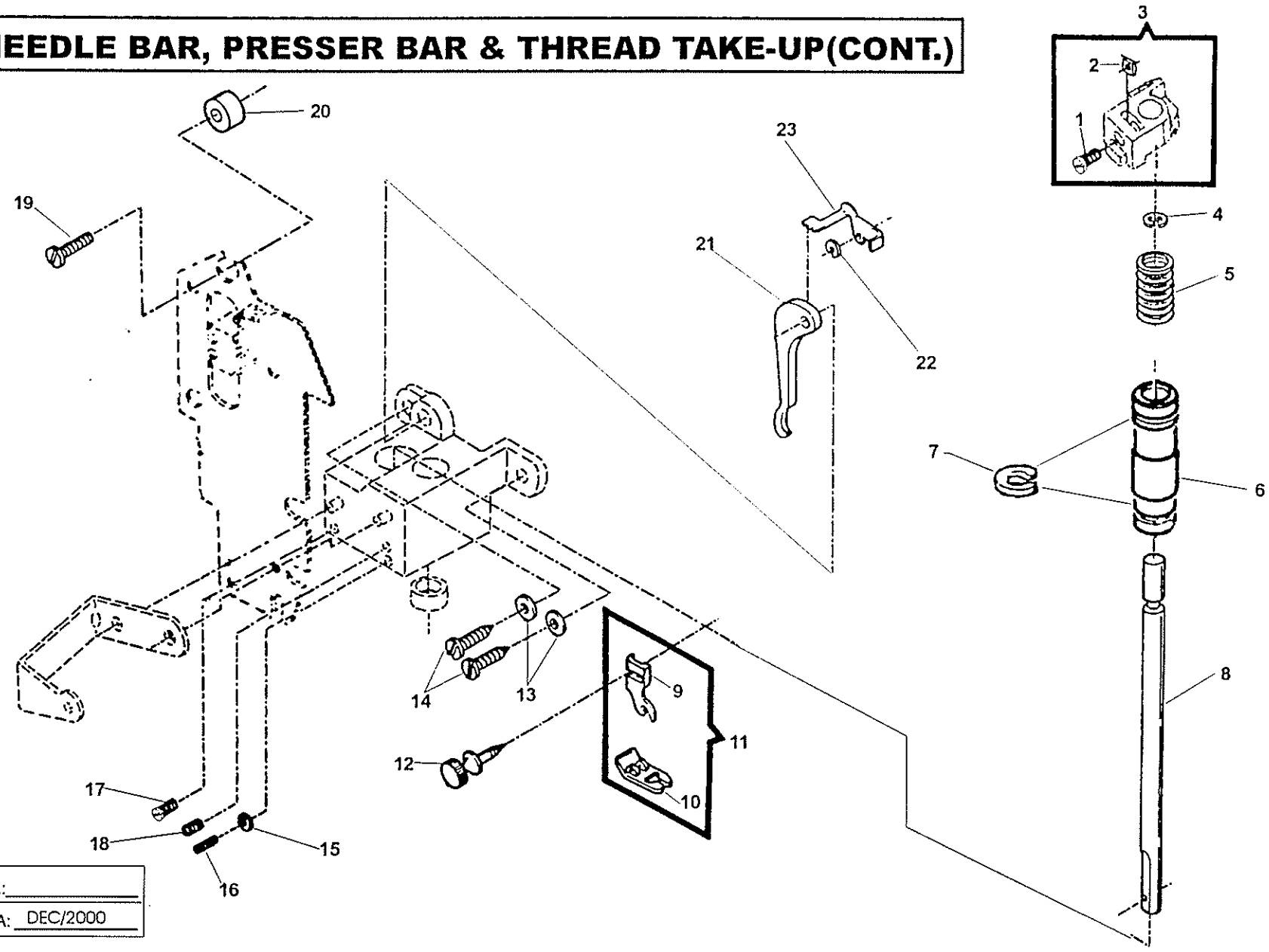
# NEEDLE BAR, PRESSER BAR & THREAD TAKE-UP



REV.: \_\_\_\_\_  
DATE: DEC/2000

		<b>PARTS LIST</b>	<b>5</b>	<b>5</b>
		<b>NEEDLE BAR</b>	<b>4</b>	<b>4</b>
			<b>1</b>	<b>3</b>
<b>REF.PART NBR</b>	<b>DESCRIPTION</b>		<b>7</b>	<b>0</b>
01 445672	THREAD TAKE-UP LEVER COMPLETE	X		X
02 357788-000	THREAD TAKE-UP STUD	X		X
03 446357	NEEDLE BAR CONNECTING LINK	X		X
04 446190	NEEDLE BAR DRIVING ARM HINGE BRACKET	X		X
05 37935	NEEDLE BAR DRIVING ARM HINGE BRACKET HINGE PIN	X		X
06 353522-001	NEEDLE BAR BALL BUSHING (UPPER) REATINING RING	X		X
07 357615	NEEDLE BAR BALL BUSHING (UPPER) SOCKET (LOWER)	X		X
08 446355-001	NEEDLE BAR BALL BUSHING (UPPER)	X		X
09 353521	NEEDLE BAR VIBRATING BRACKET	X		X
10 353520-001	NEEDLE BAR VIBRATING BRACKET COMPLETE	X		X
11 354826-451	NEEDLE BAR DRIVING ARM HINGE BRACKET SCREW	X		X
12 446359	NEEDLE BAR VIBRATING BRACKET HINGE PIN	X		X
13 445721	NEEDLE BAR VIBRATING BRACKET HINGE PIN RETAINING RING	X		X
14 357093-451	NEEDLE BAR VIBRATING BRACKET HINGE PIN NUT	X		X
15 353549-940	NEEDLE BAR CONNECTING STUD WITH HINGE PIN	X		X
16 353549	NEEDLE BAR CONNECTING STUD	X		X
17 37931	NEEDLE BAR CONNECTING STUD HINGE PIN	X		X
18 141916-833	NEEDLE BAR CLAMPING SCREW	X		X
19 445793	NEEDLE BAR	X		X
20 37943	NEEDLE BAR GIB	X		X
21 446355-001	NEEDLE BAR BALL BUSHING (LOWER)	X		X
22 507379	NEEDLE BAR BALL BUSHING (LOWER) SOCKET	X		X
23 446361-001	NEEDLE BAR BALL BUSHING (LOWER) ADJUSTING COLLAR	X		X
24 355248-451	NEEDLE THUMB SCREW	X		X
25 357429-001	NEEDLE CLAMP BODY	X		X
26 204514-100	NEEDLE 2045 SIZE NBR 14	X		X
26 202014-100	NEEDLE 2020 SIZE NBR 14 (FOR JAPAN ONLY)	X		X
27 357421-001	NEEDLE CLAMP THREAD GUIDE	X		X
28 141920-455	ND.CLAMP BODY, ND.CLAMP THREAD GUIDE & ND.STOP SCREW	X		X
29 44450	NEEDLE BAR BALL BUSHING (LOWER) SOCKET (UPPER)	X		X
30 357360-000	NEEDLE BAR, PRESSER BAR & VIBR.BKT.HOUSING ASSEMBLY	X		X
31 445486	THREAD TAKE-UP STUD RETAINING RING	X		X
32 543531	THREAD TAKE-UP STUD THRUST WASHER	X		X
33 357616	NEEDLE BAR BALL BUSHING (UPPER) SOCKET SPRING	X		X
34 357430-001	NEEDLE CLAMP BODY WITH SCREW	X		X
35 113480-451	ND.BAR, PRESSER BAR & VIBR.BKT.HOUS.PLATE MTG.SCREW	X		X

# NEEDLE BAR, PRESSER BAR & THREAD TAKE-UP(CONT.)

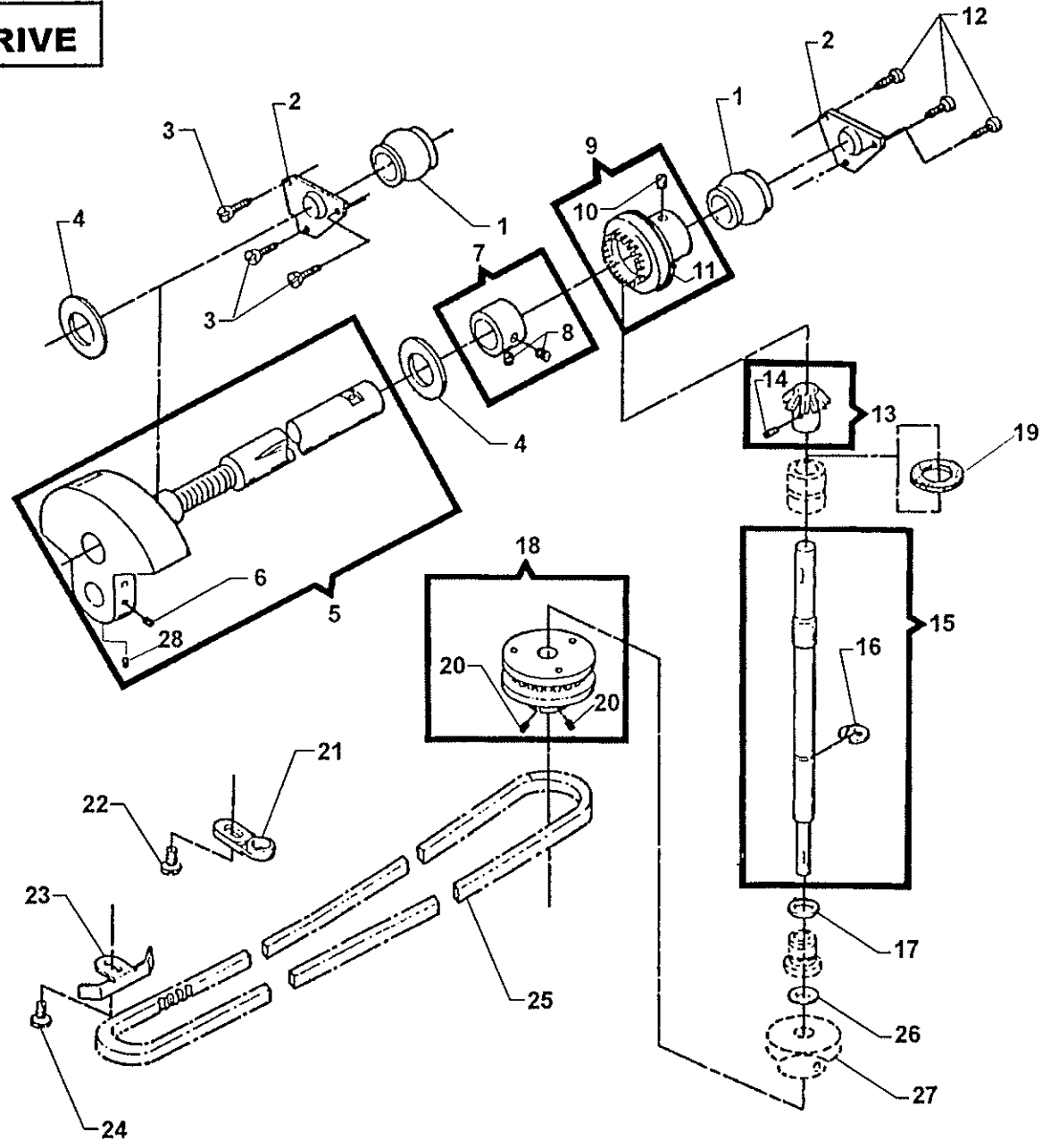


REV: \_\_\_\_\_  
DATA: DEC/2000



		<b>PARTS LIST</b>	<b>5</b>	<b>5</b>
		<b>PRESSER BAR</b>	<b>4</b>	<b>4</b>
<b>REF. PART NBR</b>	<b>DESCRIPTION</b>		<b>1</b>	<b>3</b>
			<b>7</b>	<b>0</b>
01	355279-451	PRESSER BAR GUIDE BRACKET SET SCREW	X	X
02	353367-451	PRESSER BAR GUIDE BRACKET NUT	X	X
03	357363-000	PRESSER BAR GUIDE BACKET ASSEMBLY	X	X
04	353215	PRESSER BAR SPRING RETAINING RING (UPPER)	X	X
05	357362	PRESSER BAR SPRING	X	X
06	445947-001	PRESSER BAR BUSHING	X	X
07	357604	PRESSER BAR BUSHING LOCATING RING	X	X
08	357602	PRESSER BAR	X	X
09	155964	PRESSER FOOT SHANK (SNAP-ON)	X	X
10	446371	PRESSER FOOT PLATE (SNAP-ON) FOR ZIG-ZAG SEWING	X	X
11	446372	PRESSER FOOT (SNAP-ON) COMPLETE FOR ZIG-ZAG SEWING	X	X
12	354135-452	PRESSER FOOT THUMB SCREW	X	X
13	353375-451	NEEDLE BAR, PRESSER BAR & VIBRATING BRACKET HOUSING MOUNTING SCREW (LOWER) WASHER	X	X
14	113434-451	NEEDLE BAR, PRESSER BAR & VIBRATING BRACKET HOUSING MOUNTING SCREW (LOWER)	X	X
15	54591-451	NEEDLE BAR OVER THROW SET SCREW NUT	X	X
16	354993-451	NEEDLE BAR OVER THROW SET SCREW	X	X
17	354906-451	PRESSER BAR BUSHING SET SCREW	X	X
18	141938-833	NEEDLE BAR BALL BUSHING (LOWER) ADJ. COLLAR SET SCREW	X	X
19	113455-009	NEEDLE BAR & PRESSER BAR VIBRATING BRACKET HOUSING MOUNTING SCREW (UPPER)	X	X
20	531627	NEEDLE BAR, PRESSER BAR & VIBRATING BRACKET HOUSING MOUNTING BUSHING	X	X
21	356170-452	PRESSER BAR LIFTER	X	X
22	445486	TENSION RELEASING LEVER RETAINING RING	X	X
23	445925	TENSION RELEASING LEVER	X	X

# ARM SHAFT DRIVE



REV: \_\_\_\_\_  
DATE: DEC/2000

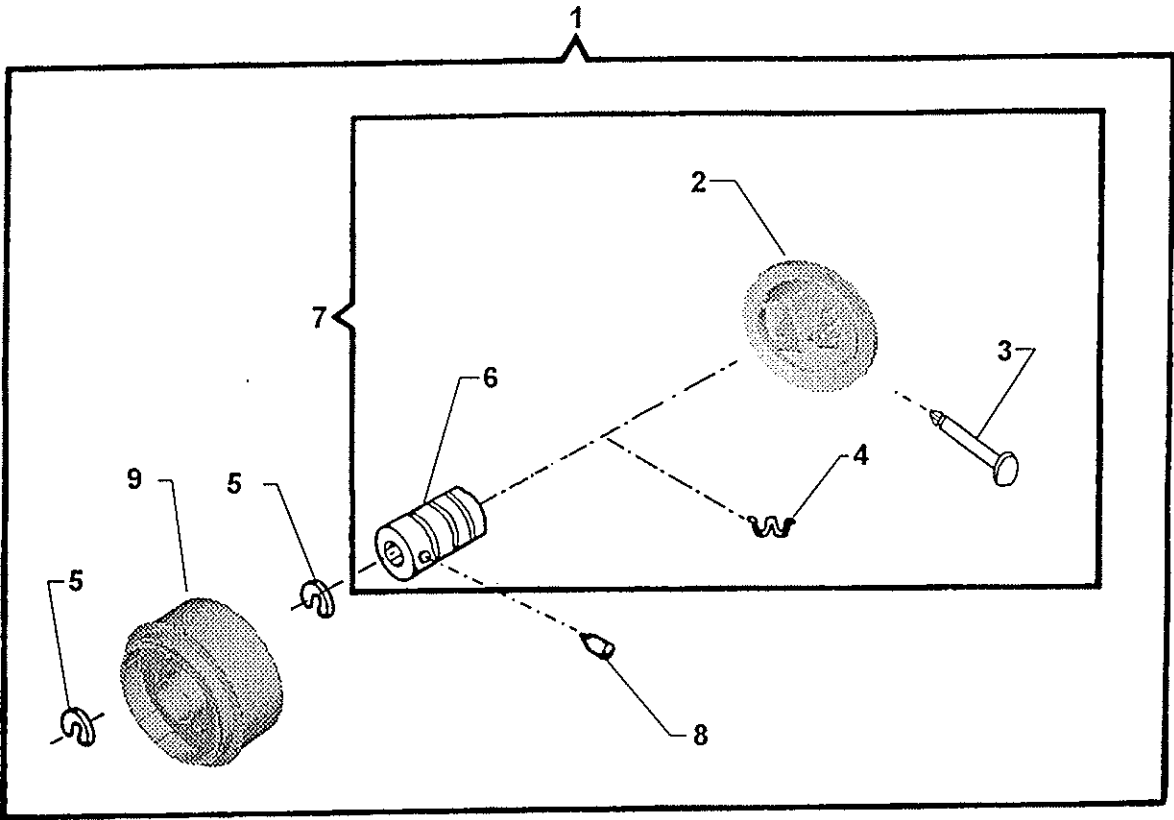
**PARTS LIST**  
**ARM SHAFT DRIVE**

**5**  
**4**  
**1**  
**7**      **5**  
**4**  
**3**  
**0**

**REF. PART NBR****DESCRIPTION**

REF. PART NBR	DESCRIPTION		
01 446384	ARM SHAFT BUSHING (FRONT)	X	X
02 446385	ARM SHAFT BUSHING (FRONT) RETAINING BRACKET	X	X
03 113455-001	ARM SHAFT BUSHING (FRONT) RETAINING BRACKET SCREW	X	X
04 319764	ARM SHAFT (HORIZONTAL)RETAINING COLLAR WASHER	X	X
05 531684	ARM SHAFT COMPLETE	X	X
06 354105-833	THREAD TAKE- UP SET SCREW	X	X
07 353580	ARM SHAFT (HORIZONTAL) RETAINING COLLAR	X	X
08 113500-451	ARM SHAFT (HORIZONTAL) RETAINING COLLAR SET SCREW	X	X
09 353272	ARM SHAFT (HORIZONTAL) BEVEL GEAR & FEED LIFTING (ECCENTRIC) COMPLETE	X	X
10 354813-451	ARM SHAFT (HORIZONTAL) BEVEL GEAR & FEED LIFTING ECCENTRIC SET SCREW	X	X
11 353413	ARM SHAFT (HORIZONTAL) BEVEL GEAR & FEED LIFTING ECCENTRIC WASHER (PLASTIC )	X	X
12 113455-001	ARM SHAFT BUSHING (REAR) RETAINING BRACKET SCREW	X	X
13 353273-002	ARM SHAFT (UPRIGHT) BEVEL GEAR (PLASTIC)	X	X
14 354105-833	ARM SHAFT (UPRIGHT) BEVEL GEAR SET SCREW	X	X
15 179952-002	ARM SHAFT (UPRIGHT) ASSEMBLY	X	X
16 353215	ARM SHAFT (UPRIGHT) RETAINING RING	X	X
17 353394	ARM SHAFT (UPRIGHT) RETAINING RING WASHER	X	X
18 353438-001	ARM SHAFT (UPRIGHT) BELT DRIVE PULLEY ASSEMBLY COMPLETE	X	X
19 356819	ARM SHAFT (UPRIGHT) FELT WASHER	X	X
20 354906-451	ARM SHAFT (UPRIGHT) BELT DRIVE PULLEY RETAINING COLLAR SET SCREW	X	X
21 357461	ROTATING HOOK DRIVE BELT TENSION ADJUSTER	X	X
22 113453-003	ROTATING HOOK DRIVE BELT TENSIONER SCREW	X	X
23 446376	BELT RETAINER (LEFT)	X	X
24 113455-001	BELT RETAINER (LEFT) SCREW	X	X
25 446237	BELT (ROTATING HOOK DRIVE)	X	X
26 319826	ARM SHAFT (UPRIGHT) BELT DRIVE PULLEY WASHER	X	X
27 446228-000	FEED LIFTING CAME COMPLETE	X	X
28 113500-451	THREAD TAKE- UP SET SCREW	X	X

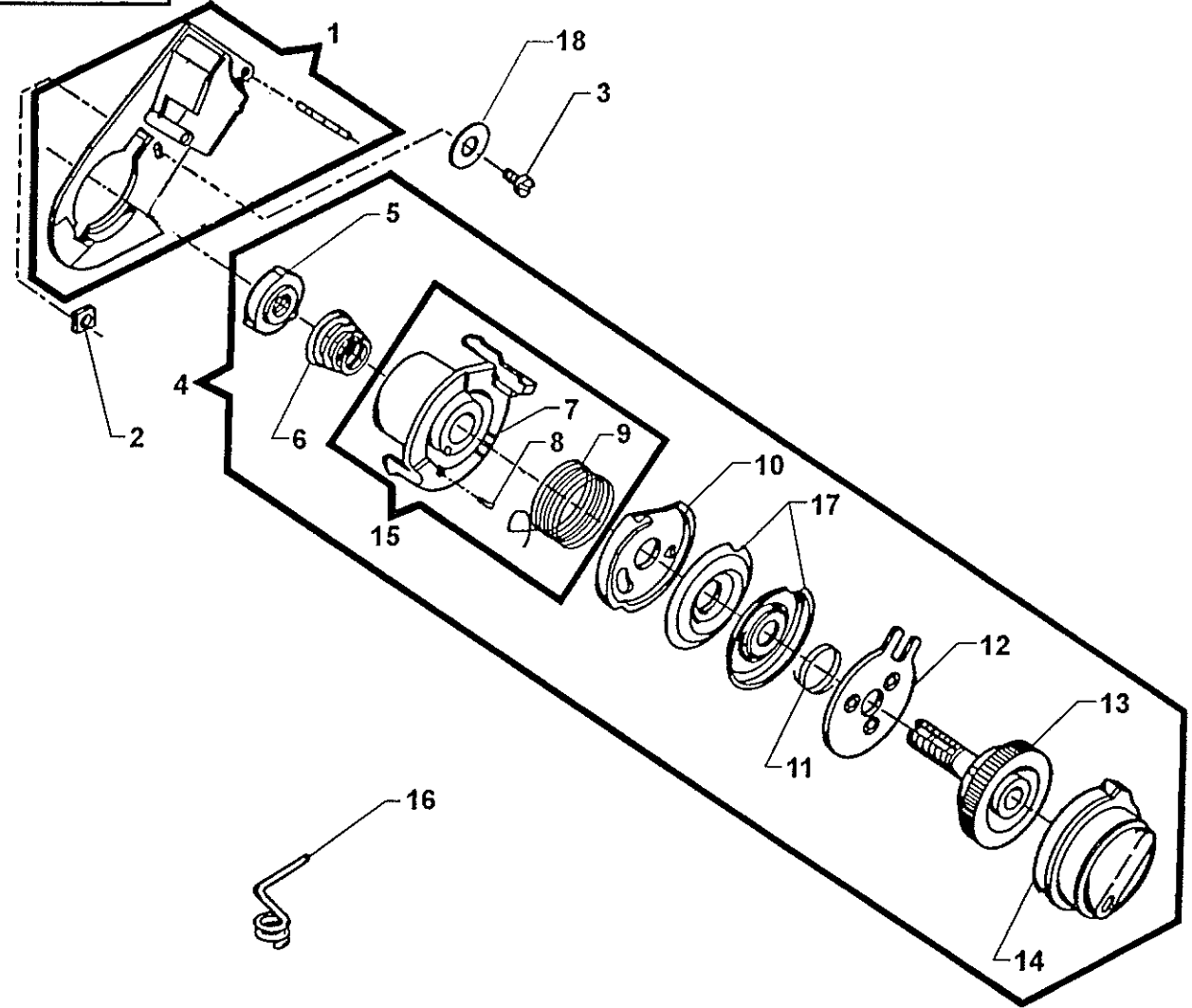
**HAND WHEEL**



REV: \_\_\_\_\_  
DATA: DEC/2000

		<b>PARTS LIST</b>	<b>5</b>	<b>5</b>
		<b>HAND WHEEL</b>	<b>4</b>	<b>4</b>
<b>REF. PART NBR</b>	<b>DESCRIPTION</b>		<b>1</b>	<b>3</b>
			<b>7</b>	<b>0</b>
01	357737-002 HAND WHEEL ( ELECTRIC ) COMPLETE		X	X
02	357708-902 HAND WHEEL DISENGAGING CLUTCH ENGAGING PLATE COVER		X	X
03	357364-000 HAND WHEEL DISENGAGING CLUTCH ENGAGING PLATE HINGE PIN		X	X
04	357365 HAND WHEEL DISENGAGING CLUTCH ACTUATING SPRING		X	X
05	446387 HAND WHEEL RETAINING RING (TREADLE/ELECTRIC)		X	X
06	357359-000 HAND WHEEL DISENGAGING CLUTCH BUSHING		X	X
07	357744-002 HAND WHEEL DISENGAGING CLUTCH BUSHING COMPLETE		X	X
08	354813-451 HAND WHEEL DISENGAGING CLUTCH BUSHING SCREW		X	X
09	357709-901 HAND WHEEL (PLASTIC)		X	X

**TENSION MECHANISM**



REV: \_\_\_\_\_  
DATA: DEC/2000

**PARTS LIST**  
**TENSION MECHANISM**

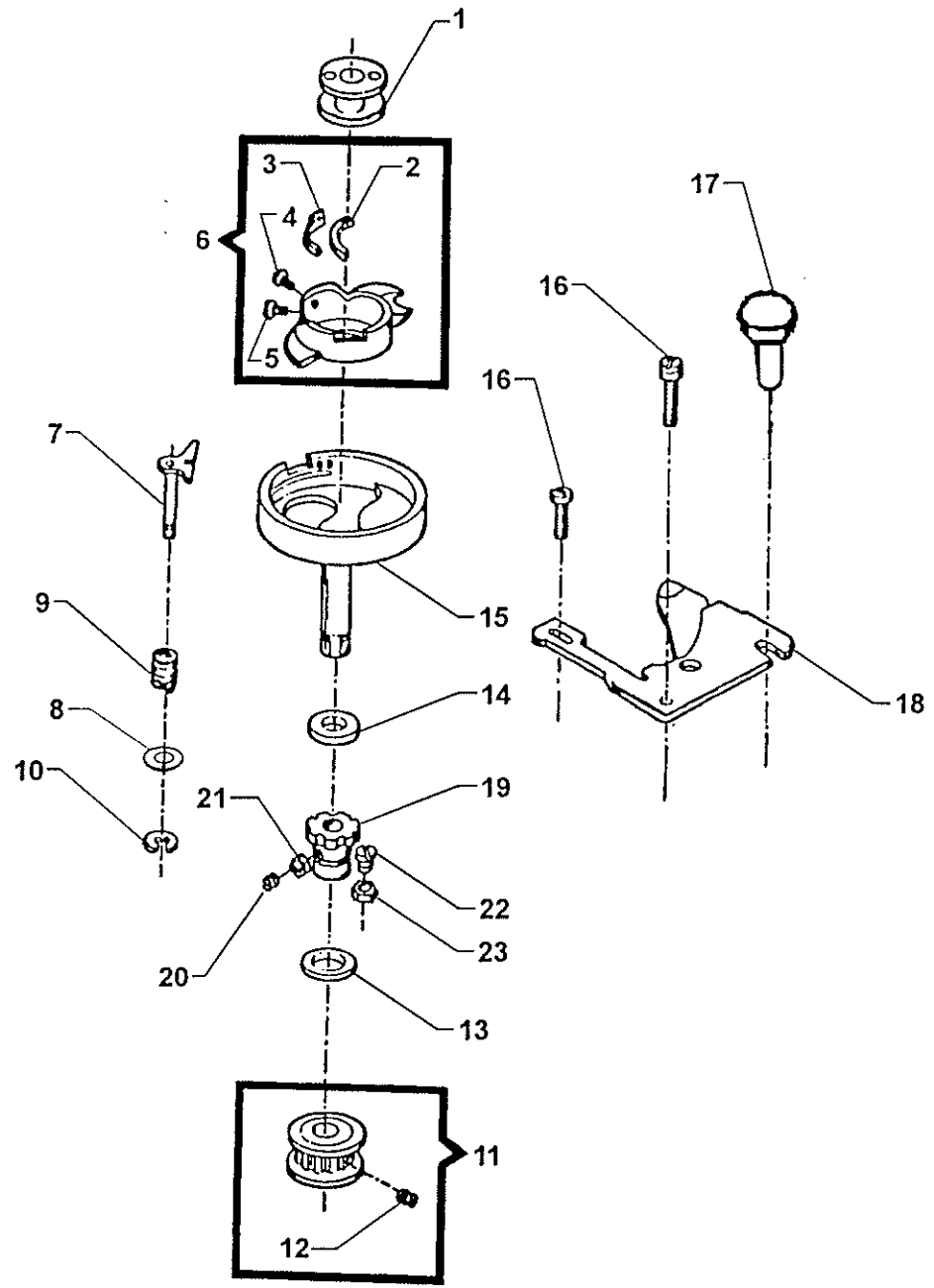
**5**      **5**  
**4**      **4**  
**1**      **3**  
**7**      **0**

REF. PART NBR

DESCRIPTION

REF. PART NBR	DESCRIPTION	5	4
01 357748-002	TENSION MECHANISM SHROUDER ASSEMBLY	X	X
02 514698-451	TENSION MECHANISM SHROUDER SCREW NUT	X	X
03 141808-457	TENSION MECHANISM SHROUDER SCREW	X	X
04 356088-457	TENSION MECHANISM ASSEMBLY	-	-
05 356095	TENSION STUD NUT	X	X
06 356096	TENSION SPRING	X	X
07 356089	TENSION MECHANISM SUPPORT	X	X
08 356246-900	TENSION MECHANISM SUPPORT PIN	X	X
09 356097	THREAD TAKE-UP SPRING	X	X
10 356091	THREAD TAKE-UP SPRING THREAD GUARD	X	X
11 356216	TENSION DISC PRESSURE PLATE SPRING	X	X
12 356177	TENSION DISC PRESSURE PLATE	X	X
13 356092-451	TENSION INDICATOR WITH STUD	X	X
14 357734-006	TENSION INDICATOR DIAL	-	X
15 356245	TENSION MECHANISM SUPORT ASSEMBLY	X	X
16 445784	THREAD GUIDE (LOWER)	X	X
17 356094	TENSION DISC	X	X
18 356443	TENSION MECHANISM SHROUDER WASHER	X	X

# HOOK SYSTEM



REV: \_\_\_\_\_  
DATA: DEC/2000



**PARTS LIST  
HOOK SYSTEM**

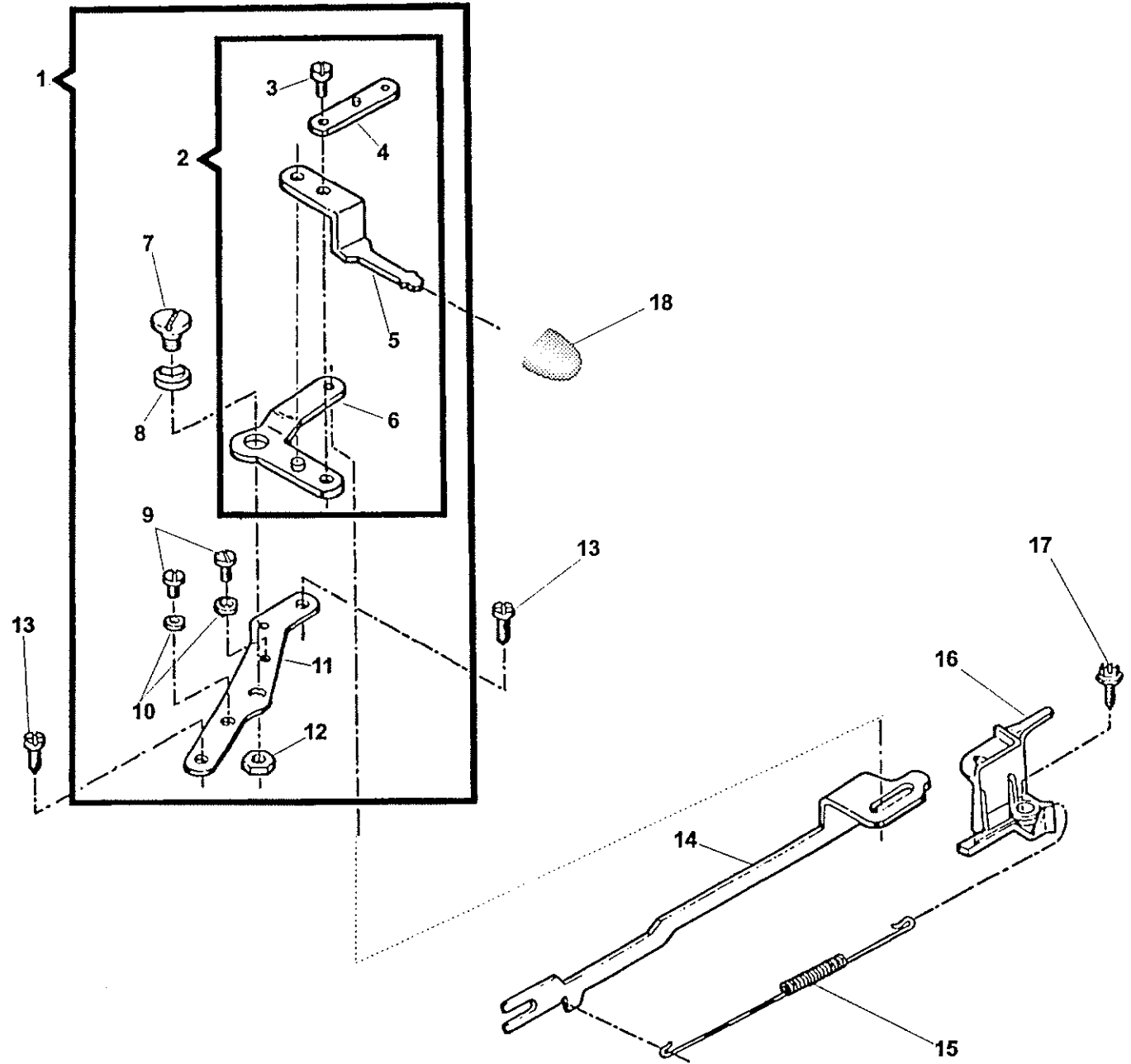
**5      5  
4      4  
1      3  
7      0**

## REF.PART NBR

## DESCRIPTION

REF.PART NBR	DESCRIPTION	5	5
01 172336	ROTATING HOOK BOBBIN (PLASTIC)	X	X
02 356490-451	ROTATING HOOK BOBBIN CASE TENSION SPRING SEGMENT	X	X
03 314715	ROTATING HOOK BOBBIN CASE TENSION SPRING	X	X
04 355254-451	ROTATING HOOK BOBBIN CASE TENSION REGULATING SCREW	X	X
05 139975-452	ROTATING HOOK BOBBIN CASE TENSION SPRING SEG.SCREW	X	X
06 421325	ROTATING HOOK BOBBIN CASE	X	X
07 353511	ROTATING HOOK BOBBIN CASE RETAINING PLATE ASSEMBLY	X	X
08 445808-000	ROTATING HOOK BOBBIN CASE RETAINING PLATE WASHER	X	X
09 44892	ROTATING HOOK BOBBIN CASE RETAINING PLATE STUD SPRING	X	X
10 446417	ROTATING HOOK BOBBIN CASE RETAINING PLATE RETAINING RING	X	X
11 446235	ROTATING HOOK BELT DRIVE PULLEY	X	X
12 141803-451	ROTATING HOOK BELT DRIVE PULLEY SCREW	X	X
13 382861-906	ROTATING HOOK BELT DRIVE PULLEY WASHER	X	X
14 353453	ROTATING HOOK WEAR WASHER	X	X
15 353366	ROTATING HOOK COMPLETE	X	X
16 354917-451	ROTATING HOOK BOBBIN CASE POSITION PLATE SCREW	X	X
17 357349-451	ROTATING HOOK BOBBIN CASE RETAINING PLATE (ADJUSTABLE & POSITION PLATE)STUD	X	X
18 44873-001	ROTATING HOOK BOBBIN CASE POSITION PLATE	X	X
19 353410-900	ROTATING HOOK BUSHING	X	X
20 141938-833	ROTATING HOOK BUSHING SET SCREW	X	X
21 353367-451	ROTATING HOOK BUSHING SET SCREW NUT	X	X
22 141844-451	ROTATING HOOK BUSHING ADJUSTING SCREW	X	X
23 618638-005	ROTATING HOOK BUSHING ADJUSTING SCREW NUT	X	X

**BIGHT AMPLITUDE**



REV: \_\_\_\_\_  
DATA: DEC/2000

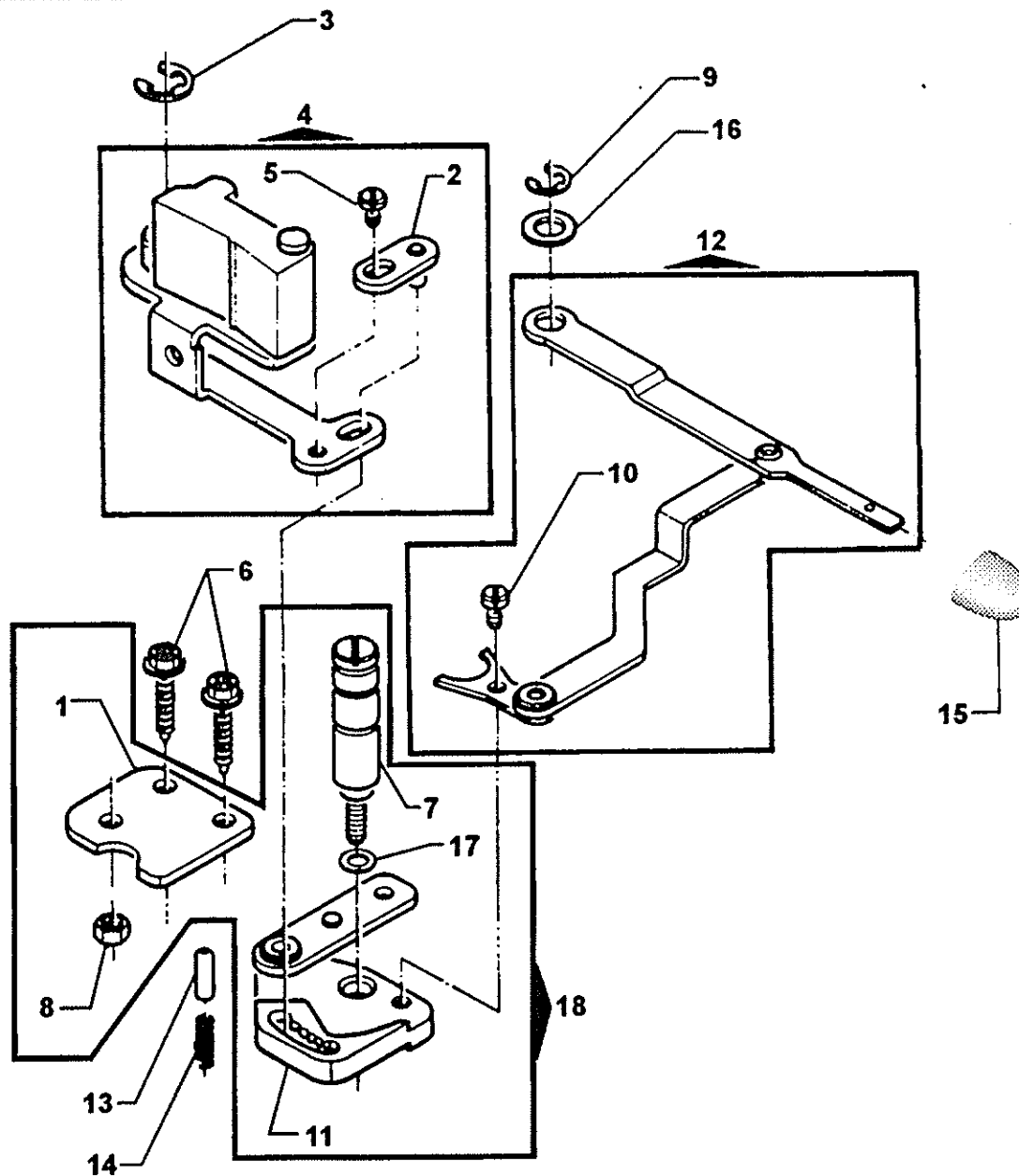
**PARTS LIST**  
**BIGHT AMPLITUDE**

**5**      **5**  
**4**      **4**  
**1**      **3**  
**7**      **0**

**REF.PART NBR****DESCRIPTION**

<b>REF.PART NBR</b>	<b>DESCRIPTION</b>	<b>5</b>	<b>5</b>
01 179893	BIGHT AMPLITUDE CONTROL LEVER MOUNTING BRACKET COMPLETE	X	X
02 446342	BIGHT AMPLITUDE CONTROL LEVER SUB-ASSEMBLY	X	X
03 139866-451	BIGHT AMPLITUDE CONTROL LEVER SCREW	X	X
04 44556	BUTTONHOLER BIGHT CONTROL CAM FOLLOWER LEVER LINK (LEFT)	X	X
05 446394	BIGHT AMPLITUDE CONTROL LEVER	X	X
06 37246	BIGHT AMPLITUDE CONTROL LEVER LINK	X	X
07 354825-451	BIGHT AMPLITUDE CONTROL LEVER LINK HINGE SCREW	X	X
08 49204	BIGHT AMPLITUDE CONTROL LEVER LINK HINGE SCREW FRICTION WASHER	X	X
09 141913-451	BIGHT AMPLITUDE CONTROL LEVER LINK STOP SCREW	X	X
10 446904	BIGHT AMPLITUDE CONTROL LEVER LINK STOP	X	X
11 531793	BIGHT AMPLITUDE CONTROL LEVER MOUNTING BRACKET	X	X
12 54591-451	BIGHT AMPLITUDE CONTROL LEVER LINK HINGE SCREW NUT	X	X
13 113455-001	BIGHT AMPLITUDE CONTROL LEVER MOUNTING BRACKET SCREW	X	X
14 37933-002	NEEDLE BAR DRIVING ARM	X	X
15 37942	NEEDLE BAR DRIVING ARM TENSION SPRING	X	X
16 445780	LIGHT LEAD SHIELD & NEEDLE BAR DRIVING ARM TENSION SPRING MOUNTING PLATE	X	X
17 113455-001	LIGHT LEAD SHIELD & NEEDLE BAR DRIVING ARM TENSION SPRING MOUNTING PLATE SCREW	X	X
18 357699-903	BIGHT AMPLITUDE CONTROL LEVER KNOB	X	X

# NEEDLE POSITION



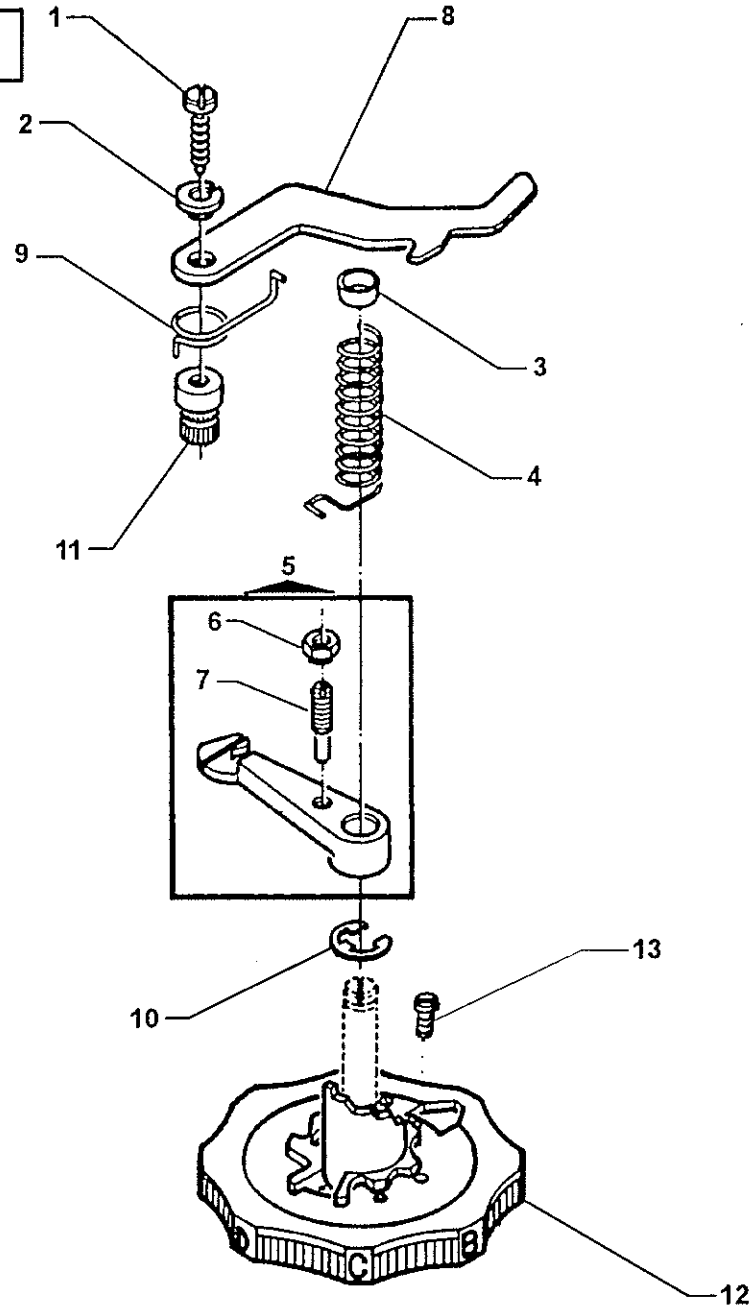
REV: \_\_\_\_\_  
DATA: DEC/2000

**PARTS LIST  
NEEDLE POSITION**

**5      5  
4      4  
1      3  
7      0**

REF. PART NBR	DESCRIPTION		
01 446401	NEEDLE POSITION SELECTOR LEVER ADJUSTING PLATE	X	X
02 531736	NEEDLE POSITION SELECTOR LEVER BRACKET FOLLOWER STUD ARM ASSEMBLY	X	X
03 445721	NEEDLE BAR DRIVING ARM SLIDE BRACKET RETAINING RING	X	X
04 356735-001	NEEDLE BAR DRIVING ARM SLIDE BRACKET COMPLETE	X	X
05 141913-451	NEEDLE POSITION LEVER BRACKET STUD ARM SET SCREW	X	X
06 113455-001	NEEDLE POSITION SELECTOR LEVER ADJUSTING PLATE SCREW	X	X
07 357089	DISC FOLLOWER STUD	X	X
08 54591-451	NEEDLE POSITION SELECTOR LEVER ADJUSTING PLATE SCREW NUT	X	X
09 445486	NEEDLE POSITION SELECTOR LEVER RETAINING RING	X	X
10 141913-451	NEEDLE POSITION SELECTOR LEVER SCREW	X	X
11 44628	NEEDLE POSITION SELECTOR LEVER BRACKET ASSEMBLY	X	X
12 356744	NEEDLE POSITION SELECTOR LEVER COMPLETE	X	X
13 356228	NEEDLE POSITION SELECTOR LEVER BRACKET POSITIONING PIN	X	X
14 444800	NEEDLE POSITION SELECTOR LEVER BRACKET POSITIONING PIN SPRING	X	X
15 357699-903	NEEDLE POSITION SELECTOR LEVER KNOB	X	X
16 49204	NEEDLE POSITION SELECTOR LEVER HINGE STUD WASHER	X	X
17 353585	DISC FOLLOWER STUD COLLAR	X	X
18 356838	NEEDLE POSITION SELECTOR LEVER BRACKET COMPLETE	X	X

**PATTERN SELECTOR**



REV: \_\_\_\_\_  
DATA: DEC/2000

**PARTS LIST  
PATTERN SELECTOR**

**5  
4  
1  
7**

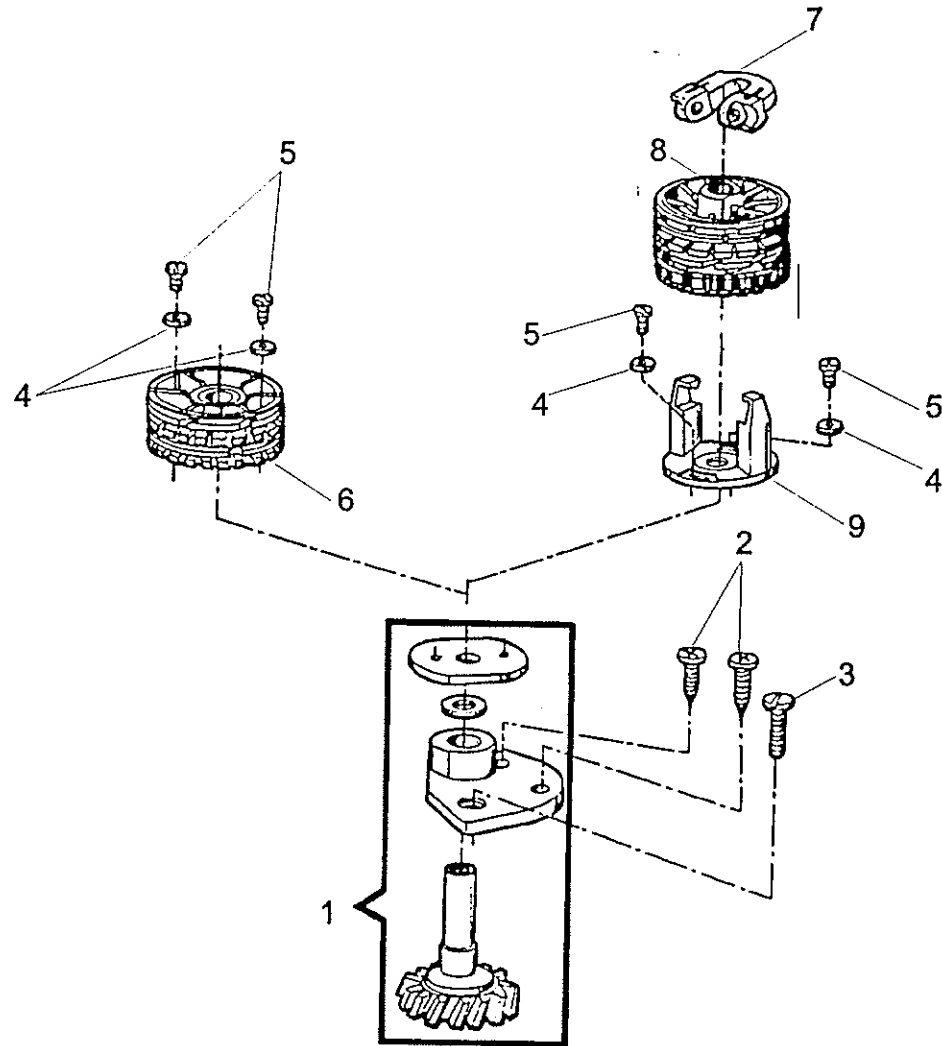
**5  
4  
3  
0**

REF. PART NBR

DESCRIPTION

REF. PART NBR	DESCRIPTION	5	4
01 354826-451	DISC FOLLOWER DISENGAGING LEVER SCREW	X	X
02 356751	DISC FOLLOWER DISENGAGING LEVER BUSHING	X	X
03 353548	DISC FOLLOWER STUD WASHER	X	X
04 356768	DISC FOLLOWER SPRING	X	X
05 356770	DISC FOLLOWER COMPLETE	X	X
06 531699-451	DISC FOLLOWER ADJUSTING SCREW STUD NUT	X	X
07 445341	DISC FOLLOWER ADJUSTING SCREW STUD	X	X
08 356750	DISC FOLLOWER DISENGAGING LEVER	X	X
09 356752	DISC FOLLOWER DISENGAGING LEVER SPRING	X	X
10 603908-001	DISC SELECTOR CAM RETAINING RING	X	X
11 357000	DISC FOLLOWER DISENGAGING LEVER STUD	X	X
12 357710-457	PATTERN SELECTOR CAM/DIAL	X	X
13 355247-451	PATTERN SELECTOR CAM POSITIONER SCREW	X	X

# CAM STACK



REV.: \_\_\_\_\_  
DATA: DEC/2000



**PARTS LIST  
CAM STACK**

**5 5  
4 4  
1 3  
7 0**

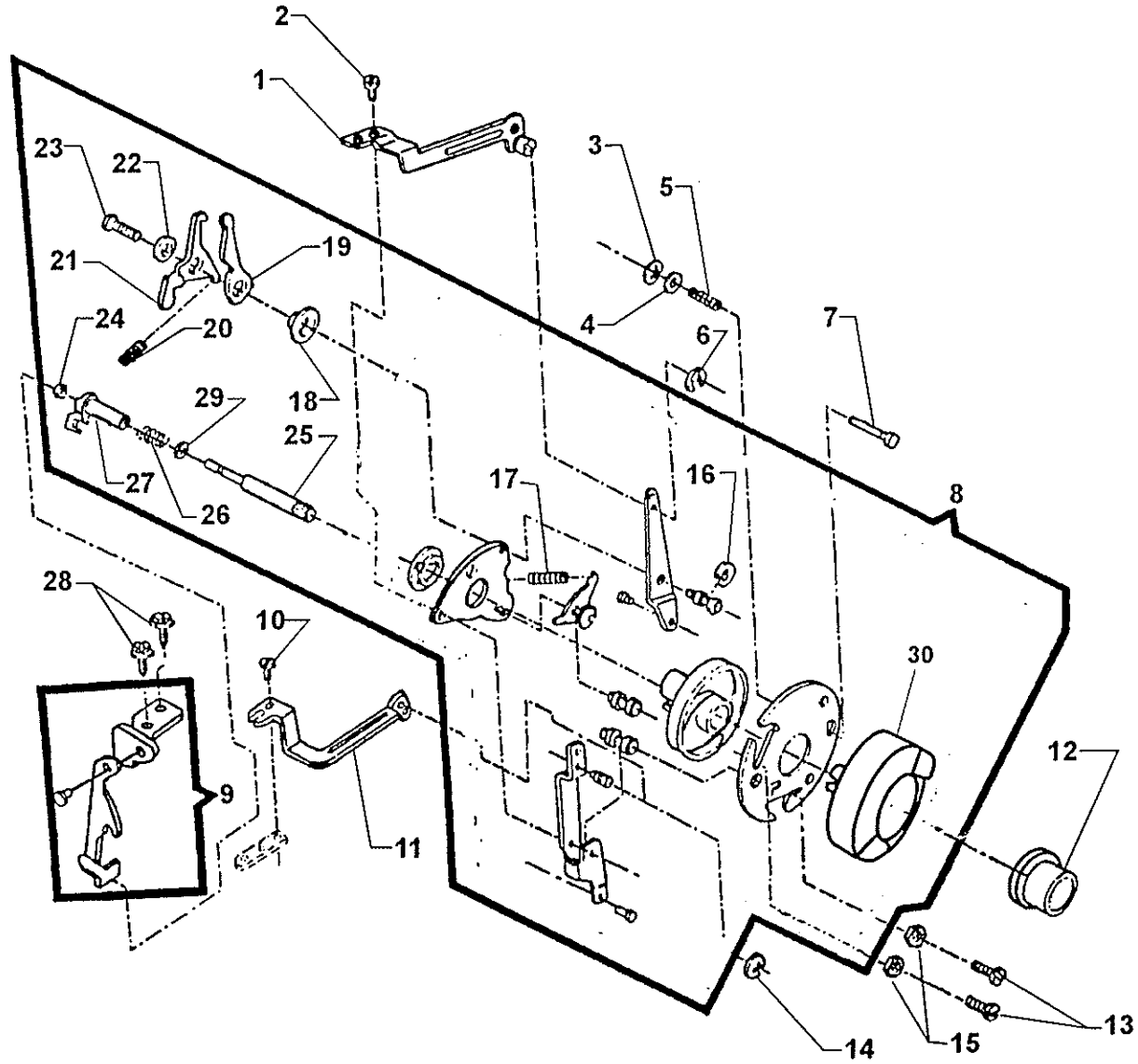
**REF. PART NBR**

**DESCRIPTION**

---

01	356982	DISC DRIVING GEAR SHAFT MOUNTING PLATE ASSEMBLY	X	X
02	113455-012	DISC DRIVING GEAR SHAFT MOUNTING PLATE SCREW	X	X
03	113455-012	DISC DRIVING GEAR SHAFT MOUNTING PLATE SCREW	X	X
04	356830-003	DISC STACK POSITIONING SCREW WASHER	X	X
05	141920-451	DISC STACK POSITIONING SCREW	X	X
06	356995	DISC STACK (PLASTIC)	X	-
07	356965-451	DISC STACK POSITIONING SCREW WASHER	-	X
08	357728-000	DISC STACK POSITIONING SCREW	-	X
09	356971	DISC DRIVING PLATE	-	X

# BUTTONHOLER & FEED REGULATOR CAM



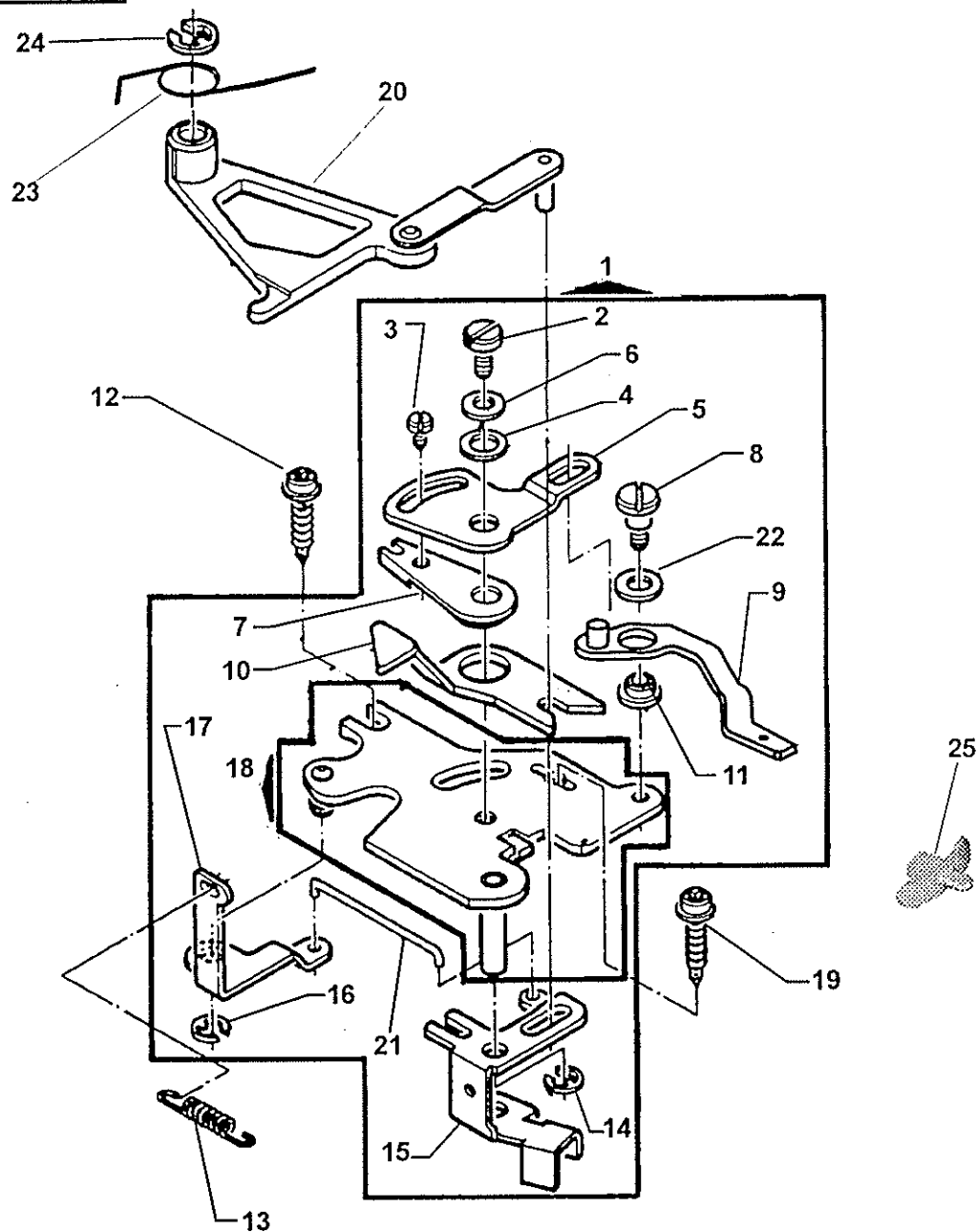
REV: \_\_\_\_\_  
DATA: DEC/2000

**PARTS LIST**  
**BUTTONHOLER AND FEED REGULATOR CAM**

**5**  
**4**  
**1**  
**7**      **5**  
**4**  
**3**  
**0**

REF. PART NBR	DESCRIPTION		
01 353536	BH.NEEDLE POSITION CAM FOLLOWER LEVER LINK (RIGHT)	X	X
02 141913-451	BH.ND.POS.CAM FOLLOWER LEVER LINK (LEFT & RIGHT) SCREW	X	X
03 408030	BH.& FEED REGULATOR MECHANISM MTG.PLATE STUD RET.RING	X	X
04 445808	BH.& FEED REG.MECH.MTG.PLATE STUD SPRING WASHER	X	X
05 179949	BUTTONHOLER & FEED REG.MECH.MTG.PLATE STUD SPRING	X	X
06 445486	BH.BIGHT CONTROL CAM FOL.LEVER LINK (RIGHT) RET.RING	X	X
07 356230	BUTTONHOLER & FEED REGULATOR MECH.MTG.PLATE STUD	X	X
08 357738-005	BUTTONHOLER & FEED REGULATOR CAM COMPLETE	X	X
09 353304	FEED REGULATOR CONTROL ARM ASSEMBLY	X	X
10 141913-451	BUT. BIGHT CONT. CAM FOL. LEVER LINK(LEFT & RIGHT)SCREW	X	X
11 356748	BH.BIGHT CONTROL CAM FOLLOWER LEVER LINK (RIGHT)	X	X
12 357736-005	FEED REGULATOR POSITIONING PIN KNOB	X	X
13 113513-451	BUTTONHOLER & FEED REGULATOR MECH.MTG.PLATE SCREW	X	X
14 445486	BH.RIGHT CONTROL CAM FOL.LEVER LINK (RIGHT) RET.RING	X	X
15 53640-819	BUTTONHOLER & FEED REG.MECH.MTG.PLATE SCREW NUT	X	X
16 353215	BUTTONHOLER NEEDLE POS.CAM FOLLOWER LEVER RET.RING	X	X
17 353495	BUTTONHOLER & FEED REG.CONTROL DIAL PAWL SPRING	X	X
18 353319	CAM CONTROL FEED ENG.CAM FOLLOWER & LEVER BUSHING	X	X
19 353321	CAM CONTROL FEED ENGAGING CAM FOLLOWER LEVER	X	X
20 353495	CAM CONTROL FEED ENG.CAM FOLLOWER & LEVER SPRING	X	X
21 353320	CAM CONTROL FEED ENGAGING CAM FOLLOWER	X	X
22 445539	CAM CONTROL FEED ENG.CAM FOLLOWER & LEVER WASHER	X	X
23 113372-451	CAM CONTROL FD.ENG.CAM FOLLOWER & LEVER MTG.SCREW	X	X
24 618638-005	FEED REGULATOR POSITIONING PIN CARRIER INSERT NUT	X	X
25 356650	FEED REGULATOR POSITIONING PIN	X	X
26 44892	FEED REGULATOR POSITIONING PIN FRICTION SPRING	X	X
27 357094	FEED REGULATOR POSITIONING PIN CARRIER	X	X
28 113455-001	FEED REGULATOR CONTROL ARM SCREW	X	X
29 356830-001	FEED REGULATOR POSITIONING PIN WASHER	X	X
30 357697-006	BUTTONHOLER AND FEED REGULATOR DIAL	X	X

# CAM CONTROLLED FEED



REV: \_\_\_\_\_  
DATA: DEC/2000

**PARTS LIST**  
**CAM CONTROLLED FEED**

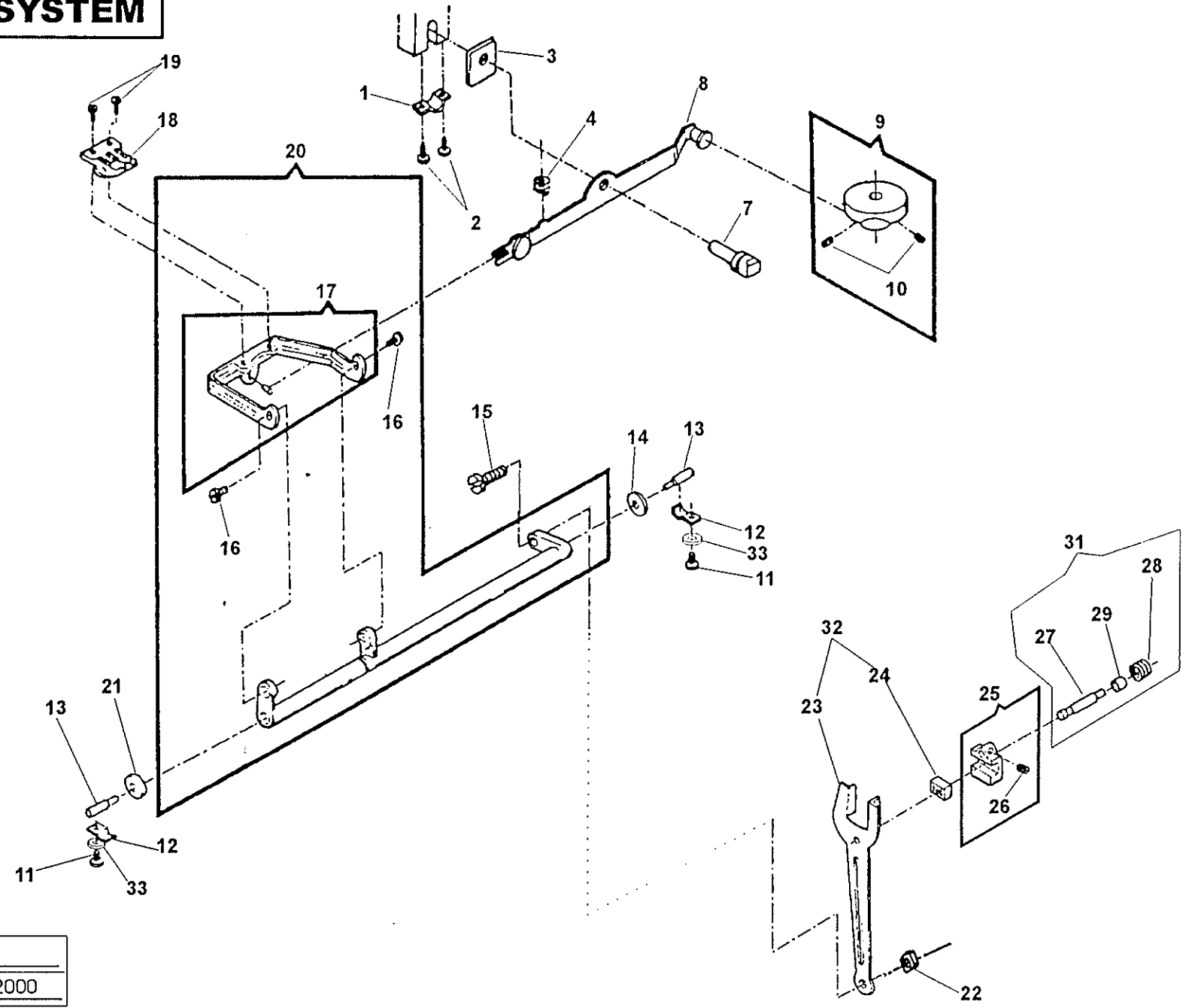
5      5  
4      4  
1      3  
7      0

REF. PART NBR

DESCRIPTION

REF. PART NBR	DESCRIPTION		
01 357742-000	CAM CONTROLLED FEED MOUNTING BRACKET COMPLETE	-	X
02 113423-451	CAM CONTROLLED FEED BALANCE ADJUSTING PLATE HINGE SCREW	-	X
03 141913-451	CAM CONTROLLED FEED BALANCE ADJUSTING SCREW	-	X
04 353492	CAM CONTROLLED FEED BALANCE ADJUSTING SCREW SPRING WASHER	-	X
05 531754	CAM CONTROLLED FEED BALANCE ADJUSTING PLATE	-	X
06 543531	CAM CONTROLLED FEED BALANCE ADJUSTING SCREW WASHER	-	X
07 353331	CAM CONTROLLED FEED DRIVING ARM ECCENTRIC	-	X
08 113424-451	CAM CONTROLLED FEED BALANCE ADJUSTING LEVER HINGE SCREW	-	X
09 357727-000	CAM CONTROLLED FEED BALANCE ADJUSTING LEVER ASSEMBLY	-	X
10 353330-001	CAM CONTROLLED FEED DRIVING ARM	-	X
11 353334	CAM CONTROLLED FEED BALANCE ADJUSTING LEVER MOUNTING BUSHING	-	X
12 355243-451	CAM CONTROLLED FEED MOUNTING BRACKET SCREW	-	X
13 356605	FEED REGULATOR CONTROL ARM BIAS LINK SPRING	-	X
14 445721	CAM CONTROLLED FEED ENGAGING CRANK RETAINING RING	-	X
15 353329	CAM CONTROLLED FEED ENGAGING CRANK	-	X
16 445486	CAM CONTROLLED FEED FOLLOWER & LINK RETAINING RING	-	X
17 356166	CAM CONTROLLED FEED ENGAGING CRANK LEVER	-	X
18 531750	CAM CONTROLLED FEED MOUNTING BRACKET ASSEMBLY	-	X
19 113455-003	CAM CONTROLLED FEED MOUNTING BRACKET SCREW (RIGHT)	-	X
20 356839	CAM CONTROLLED FEED FOLLOWER & LINK ASSEMBLY	-	X
21 353473	CAM CONTROLLED FEED ENGAGING CRANK LINK	-	X
22 179898-001	CAM CONTROLLED FEED BALANCE ADJUSTING LEVER WASHER	-	X
23 357003	CAM CONTROLLED FEED FOLLOWER DISENGAGING SPRING	-	X
24 445486	CAM CONTROLLED FEED FOLLOWER & LINK ASSEMBLY RETAINING RING	-	X
25 357700-902	CAM CONTROLLED FEED BALANCE ADJUSTING LEVER KNOB	-	X

# FEED SYSTEM



REV: \_\_\_\_\_  
DATA: DEC/2000

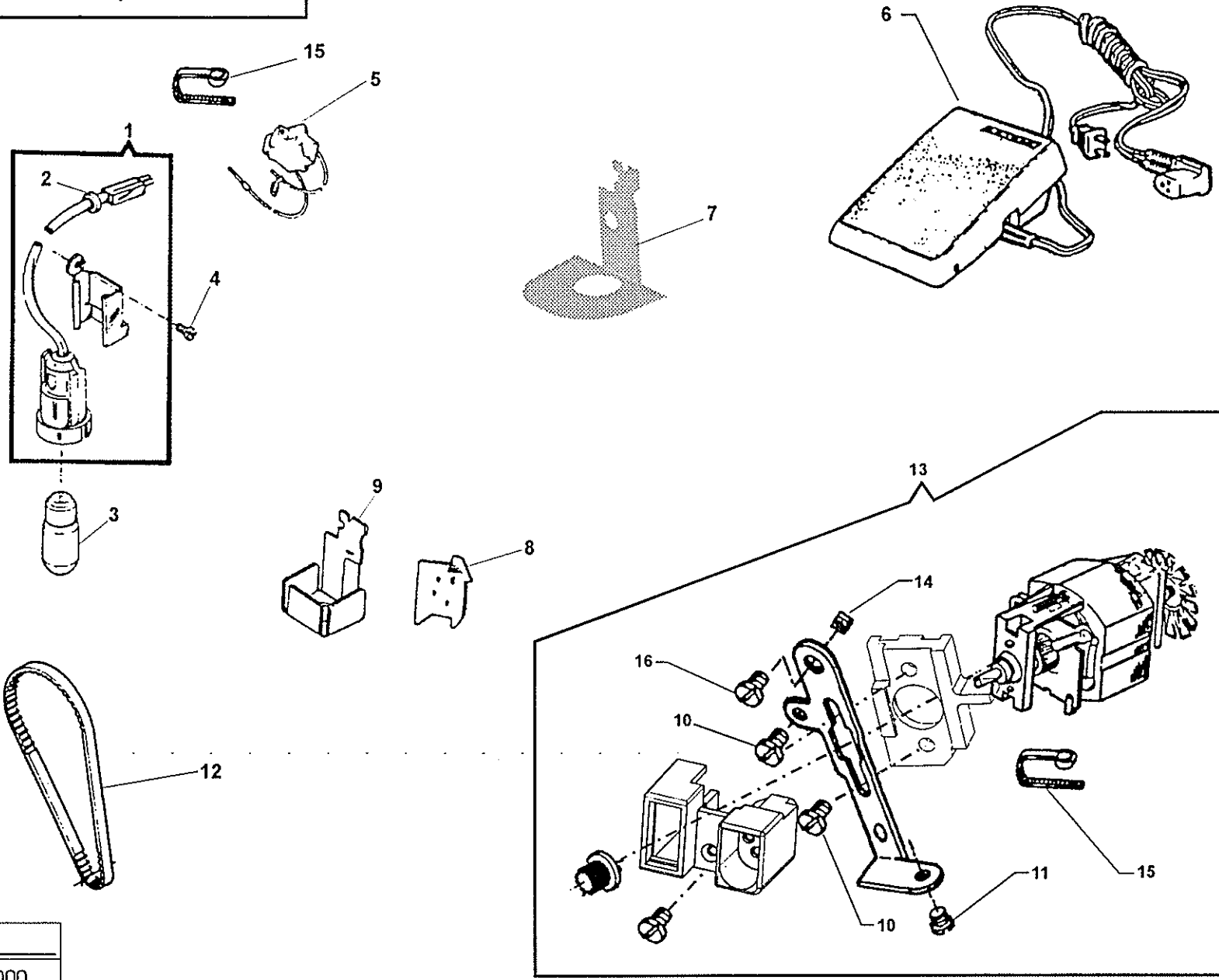
**PARTS LIST**  
**FEED SYSTEM**

**5**      **5**  
**4**      **4**  
**1**      **3**  
**7**      **0**

**REF. PART NBR****DESCRIPTION**

REF. PART NBR	DESCRIPTION	5	5
01 446485	FEED LIFTING LEVER HINGE STUD (ECCENTRIC) CLAMP	X	X
02 113455-001	FEED LIFTING LEVER HINGE STUD (ECCENTRIC) CLAMP SCREW	X	X
03 179955	FEED LIFTING LEVER HINGE STUD (ECCENTRIC) SPACER	X	X
04 446249	FEED LIFTING LEVER SPRING	X	X
07 357122-001	FEED LIFTING LEVER HINGE STUD (ECCENTRIC)	X	X
08 356222	FEED LEFTING LEVER ASSEMBLY	X	X
09 446228	FEED LIFTING CAM	X	X
10 544118	FEED LIFTING CAM SCREW	X	X
11 113455-001	FEED ROCK SHAFT CENTER SUPPORTING BRACKET SCREW	X	X
12 446484	FEED ROCK SHAFT CENTER CLAMP ( LEFT & RIGHT )	X	X
13 446487-001	FEED ROCK SHAFT CENTER	X	X
14 353397	FEED ROCK SHAFT CENTER (RIGHT)NOISE DAMPENING WASHER	X	X
15 531623-451	FEED FORKED CONNECTION HINGE SCREW (ECCENTRIC)	X	X
16 354939-451	FEED BAR HINGE SCREW	X	X
17 446205	FEED BAR ASSEMBLY	X	X
18 179891	FEED DOG	X	X
19 355235-451	FEED DOG SCREW	X	X
20 446216	FEED ROCK SHAFT COMPLETE	X	X
21 353397	FEED ROCK SHAFT CENTER (LEFT) NOISE DAMPENING WASHER	X	X
22 53648-451	FEED FORKED CONNECTION SCREW STUD NUT	X	X
23 531926	FEED FORKED CONNECTION	X	X
24 44437	FEED FORKED CONNECTION SLIDE BLOCK	X	X
25 446244	FEED REGULATOR ASSEMBLY	X	X
26 141925-833	FEED REGULATOR SET SCREW	X	X
27 446483	FEED REGULATOR HINGE STUD	X	X
28 179890	FEED REGULATOR RETURN SPRING	X	X
29 445768	FEED REGULATOR RETURN SPRING BUSHING (PLASTIC)	X	X
31 353600	FEED REGULATOR HINGE STUD ASSEMBLY	X	X
32 357641-000	FEED FORKED CONNECTION WITH SLIDE BLOCK	X	X
33 353357-451	FEED ROCK SHAFT CENTER SUP.BRACKET SCREW WASHER	X	X

# ELECTRIC EQUIPMENT



REV.: \_\_\_\_\_  
DATE: DEC/2000



**PARTS LIST**  
**ELECTRICAL EQUIPMENT**

**5**      **5**  
**4**      **4**  
**1**      **3**  
**7**      **0**

**REF. PART NBR**

**DESCRIPTION**

---

01	362001-007	LIGHT LEAD COMPLETE L15 (NON-REG.)	X	X
01	362160-002	LIGHT LEAD COMPLETE L15B (USA/CANADA)	X	X
01	362160-003	LIGHT LEAD COMPLETE L15B (USA/DOUBLE INSULATED)	X	X
01	605488-025	LIGHT LEAD COMPLETE L9 (EUROPE)	X	X
02	179908	LIGHT LEAD GROMMET	X	X
03	988076-001	LAMP (120V)	X	X
03	988076-003	LAMP (220/250V)	X	X
04	354592-451	LIGHT SOCKET MOUNTING SCREW	X	X
05	362307-001	SWITCH COMPLETE	X	X
06	362095-002	CONTROLLER	X	X
07	357778-000	LIGHT SHIELD	X	X
08	179910-XXX	LIGHT SHIELD	X	X
09	605087-001	HEAT SHIELD (EUROPE)	X	X
10	362264-901	MOTOR MOUNTING PLATE CLAMP SCREW	X	X
11	113370-451	MOTOR MOUNTING PLATE SCREW (LOWER)	X	X
12	353518-001	MOTOR BELT (V)	X	X
13	362180-016	MOTOR COMPLETE	X	X
14	313470-452	MOTOR MOUNTING PLATE SCREW NUT	X	X
15	605600-004	TYE RAP	X	X
16	113372-451	MOTOR MOUNTING PLATE SCREW (UPPER)	X	X