

**SINGER**  
**4800 Series**

# LIST OF PART

## SEWING MACHINES

SERIES

4800

by

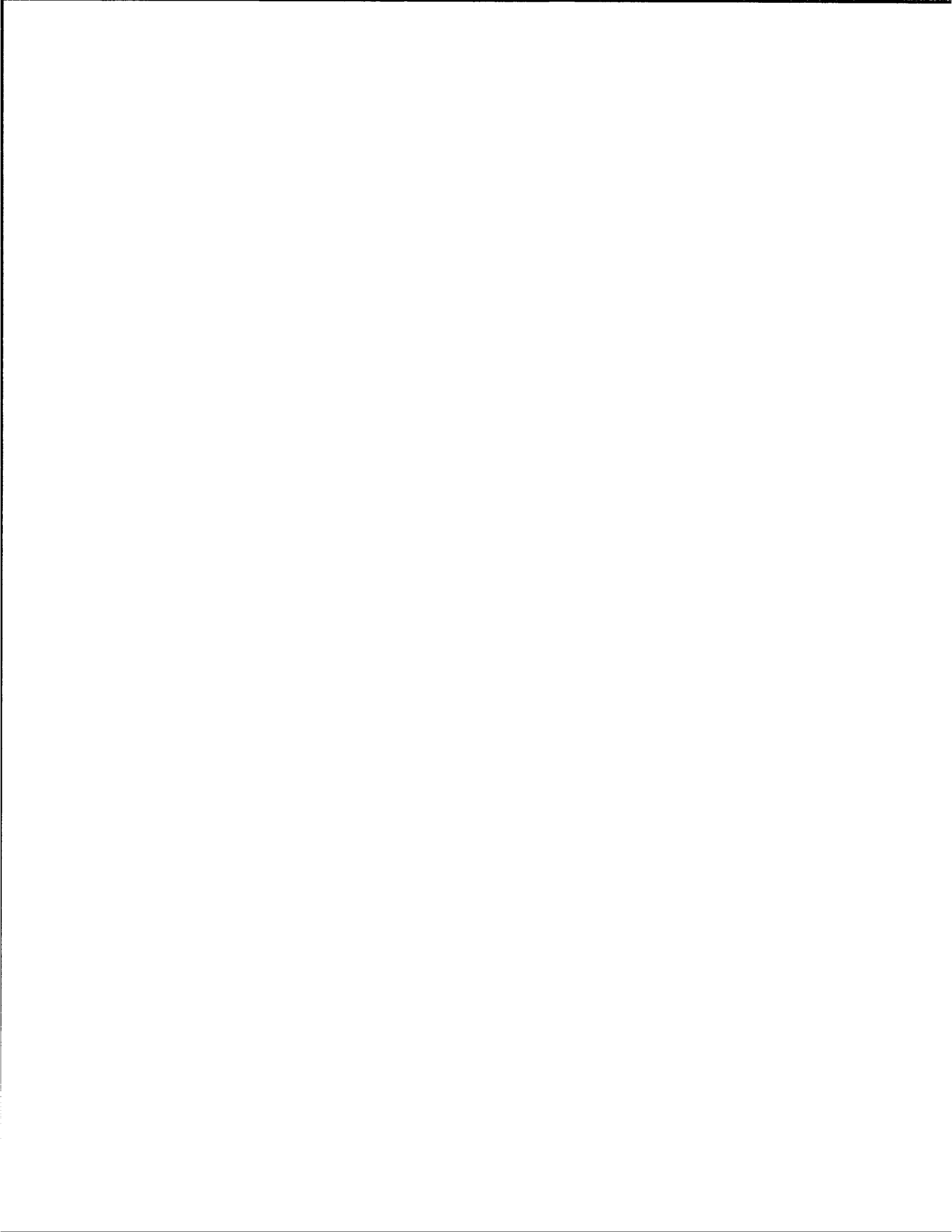
SINGER\*

© THE SINGER COMPANY  
1993 SINGER DO BRASIL  
ALL RIGHTS RESERVED

\* REGISTERED TRADEMARK

PRINTED IN BRAZIL  
357116-001

NOV./93



4800 MODELS  
REVISION RECORD

REV.	DESCRIPTION	APPROVAL AND AND DATE



INDEX

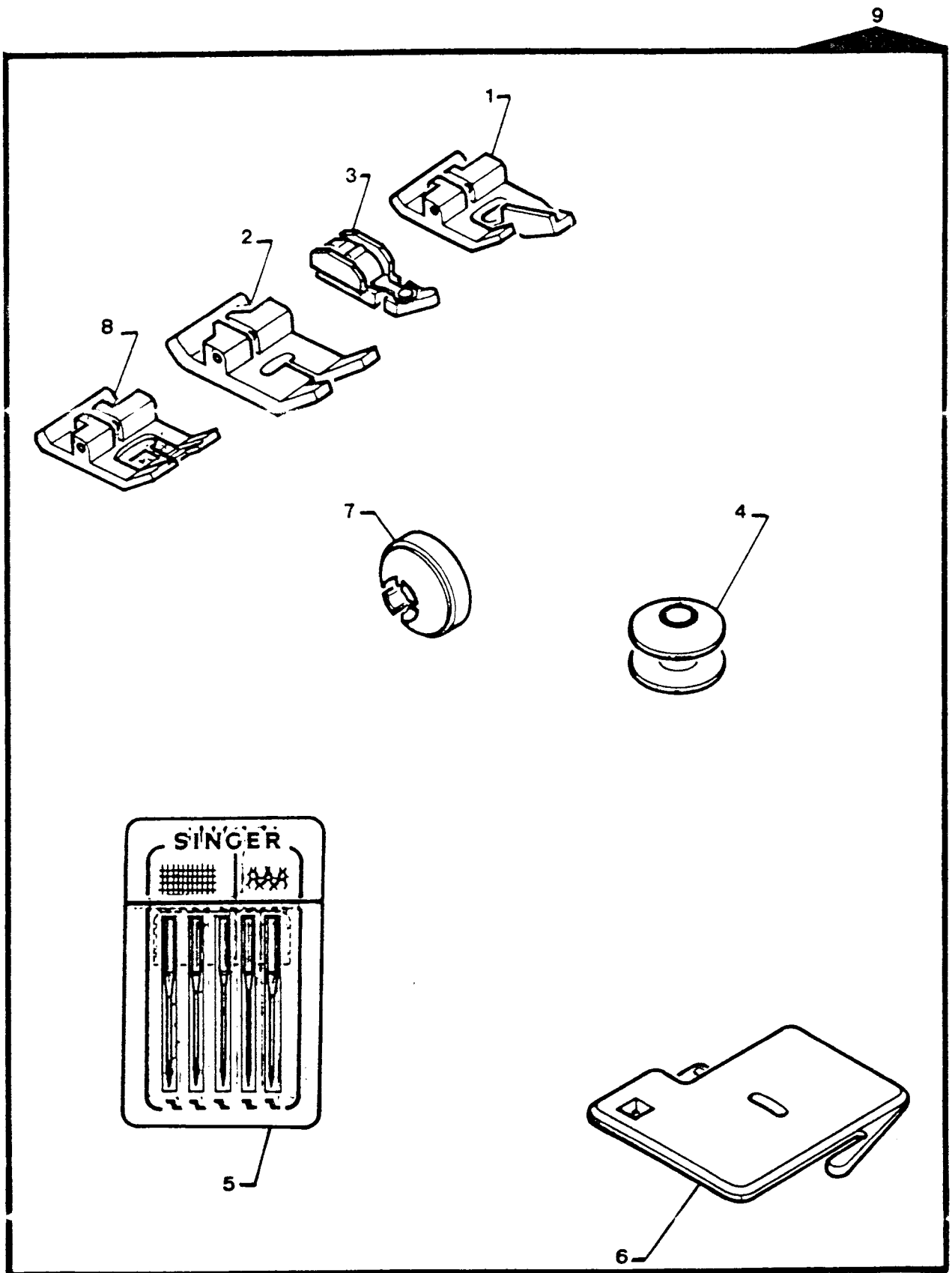
=====

PAGE NBR	SUB-ASSEMBLY
----------	--------------

=====

01 , 02	ATTACHMENT SET
03 , 04	ARM, BED, THROAT PLATE & BED SLIDE
05 , 06	ARM TOP COVER
07 , 10	COVERS & ADD-ONS
11 , 12	NEEDLE BAR
13 , 14	PRESSER BAR
15 , 16	ARM SHAFT DRIVE
17 , 18	HAND WHEEL
19 , 20	TENSION MECHANISM
21 , 22	HOOK SYSTEM
23 , 24	BIGHT AMPLITUDE
25 , 28	NEEDLE POSITION
29 , 30	DISC SELECTOR
31 , 32	CAM STACK
33 , 36	BUTTONHOLER & FEED REGULATOR CAM
37 , 38	CAM CONTROLLED FEED
39 , 40	FEED SYSTEM
41 , 47	ELECTRICAL EQUIPMENT

ATTACHMENT SET

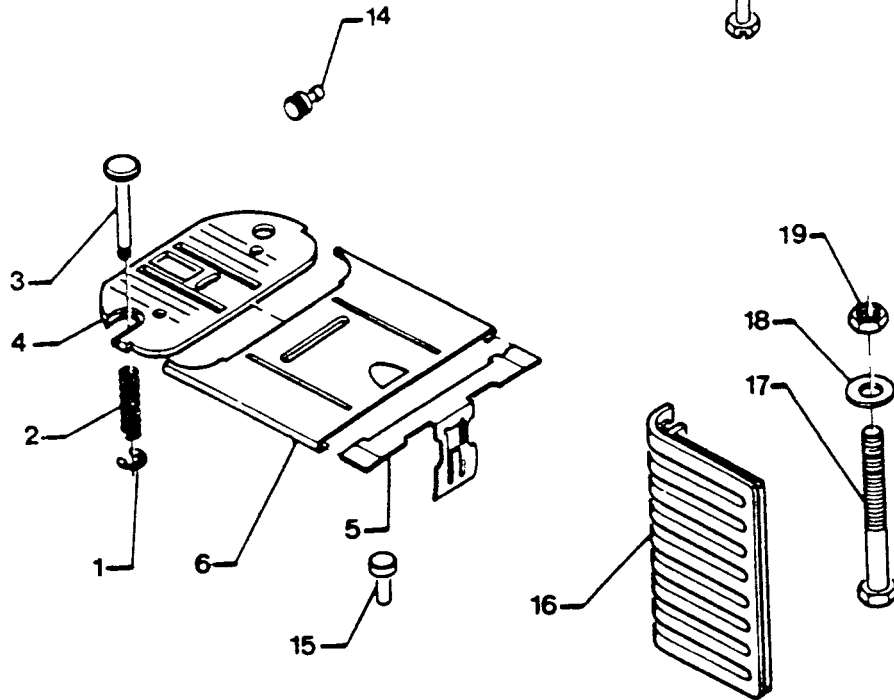
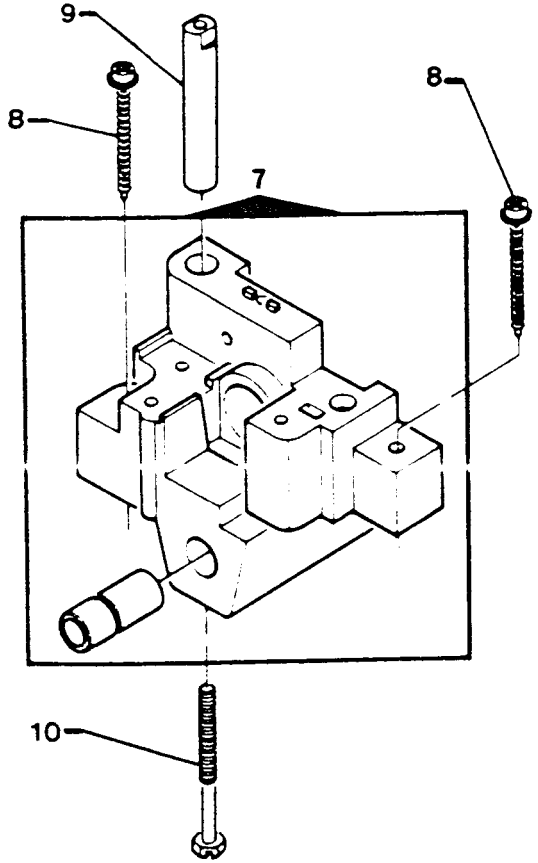
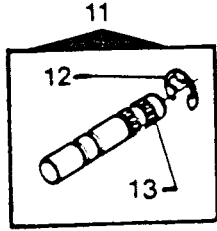


PART LIST  
ATTACHMENT SET

REF.	PART NBR	DESCRIPTION	4	4	4	4	4	4	4	4	4
			8	8	8	8	8	8	8	8	8
			1	1	1	2	2	2	2	2	3
			4	7	8	0	2	4	6	8	0
01	446492-451	SPECIAL PURPOSE PRESSER FOOT PLATE (SNAP-ON)	X	X	X	X	X	X	X	X	X
02	161927	PRESSER FOOT PLATE (SNAP-ON) FOR SEWING BUTTONHOLES	X	X	X	X	X	X	X	X	X
03	507836	PRESSER FOOT PLATE (SNAP-ON) COMPLETE FOR CORDING & SLIDE FASTENERS	X	X	X	X	X	X	X	X	X
04	172336	BOBBIN (PLASTIC)	X	X	X	X	X	X	X	X	X
05	353364	NEEDLE PACK (INCLUDES 1 EA. N2020 SIZE 11/14/15 & N2045 SIZE 11/14)	X	X	X	X	X	X	X	X	X
05	353677	NEEDLE PACK FOR JAPAN	X	X	X	X	X	X	X	X	X
06	313117	FEED COVER PLATE (PLASTIC)	X	X	X	X	X	X	X	X	X
07	507664-467	ARM TOP COVER SPOOL PIN THREAD LEAD-OFF (SMALL PLASTIC)	X	X	X	X	X	X	X	X	X
08	356630	BLIND STITCH GUIDE	X	X	X	X	X	X	X	X	X
09	357030	ATTACHMENT SET COMPLETE	X	X	X	X	X	X	X	X	X
09	357031	ATTACHMENT SET COMPLETE	X								



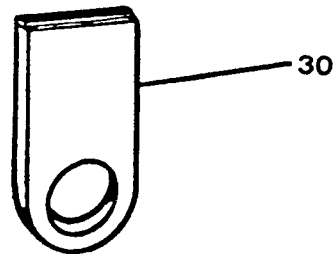
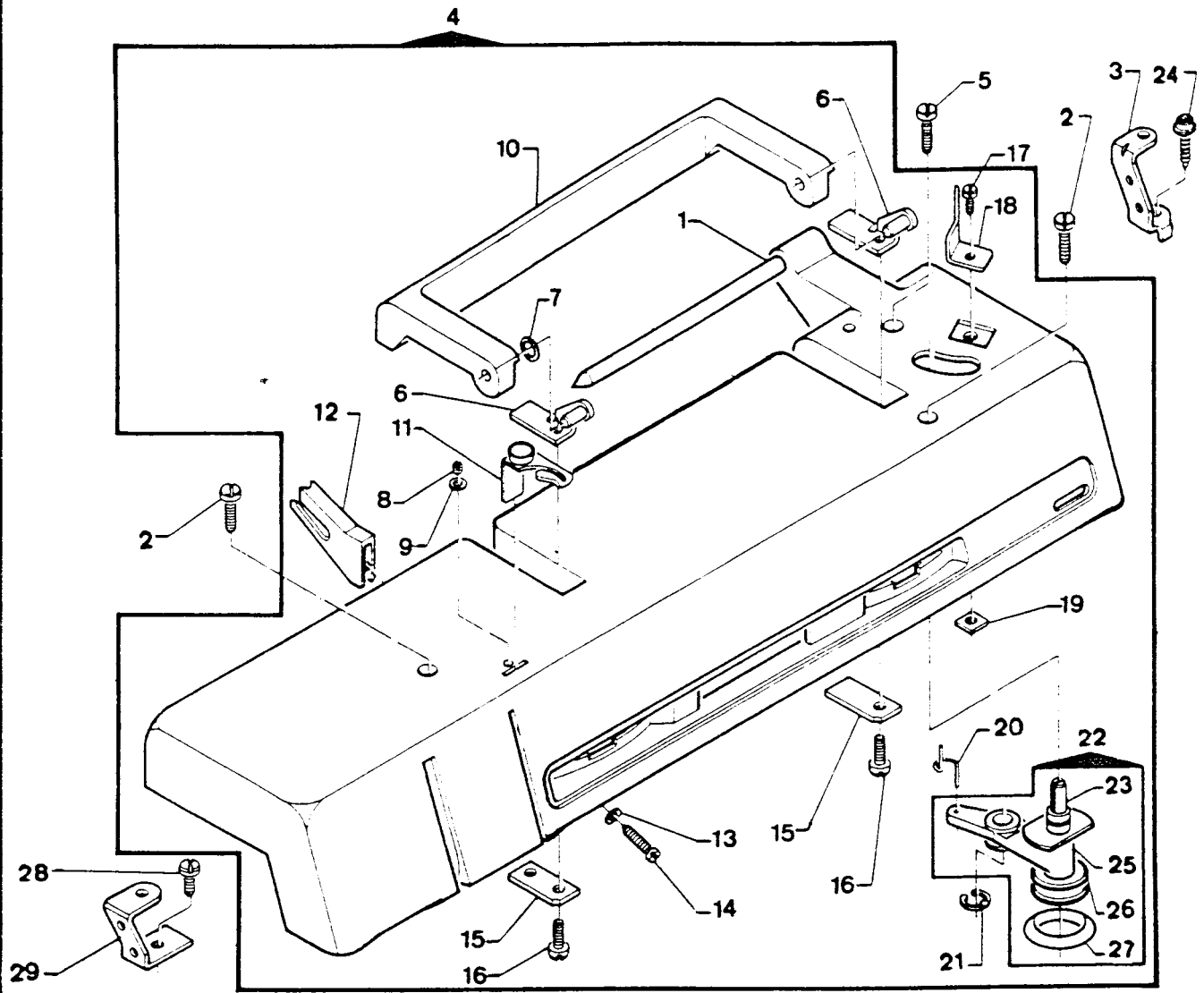
ARM, BED, THROAT PLATE & BED SLIDE



PART LIST  
ARM, BED, THROAT PLATE & BED SLIDE

REF.	PART NBR	DESCRIPTION	4	4	4	4	4	4	4	4
			8	8	8	8	8	8	8	8
			1	1	1	2	2	2	2	3
			4	7	8	0	2	4	6	8
01	179926	THROAT PLATE CLAMP SPRING RETAINING RING	X	X	X	X	X	X	X	X
02	353494	THROAT PLATE CLAMP SPRING	X	X	X	X	X	X	X	X
03	353597	THROAT PLATE CLAMP	X	X	X	X	X	X	X	X
04	312777	THROAT PLATE FOR ZIG-ZAG SEWING	X	X	X	X	X	X	X	X
05	446482	BED SLIDE SPRING (SNAP-ON)	X	X	X	X	X	X	X	X
06	446481	BED SLIDE	X	X	X	X	X	X	X	X
07	446347-002	ARM SHAFT (REAR) HOUSING ASSEMBLY	X	X	X	X	X	X	X	X
08	113455-006	ARM SHAFT (REAR) HOUSING MOUNTING SCREW	X	X	X	X	X	X	X	X
09	446465-001	ARM TOP COVER SUPPORT STUD	X	X	X	X	X	X	X	X
10	446349-451	ARM SHAFT (REAR) HOUSING MOUNTING BOLT	X	X	X	X	X	X	X	X
11	353623	THREAD TAKE-UP LEVER LINK HINGE STUD ASSEMBLY	X	X	X	X	X	X	X	X
12	446375	THREAD TAKE-UP LEVER LINK HINGE STUD	X	X	X	X	X	X	X	X
13	353215	THREAD TAKE-UP LEVER LINK HINGE STUD RETAINING RING	X	X	X	X	X	X	X	X
14	446358	TENSION RELEASING LEVER HINGE PIN	X	X	X	X	X	X	X	X
15	353624	THROAT PLATE POSITION PIN	X	X	X	X	X	X	X	X
16	356957-900	ARM INSERT MOTOR VENT GRILL	X	X	X	X	X	X	X	X
17	355250-451	BED (BOTTOM) COVER & CABINET BOLT	X	X	X	X	X	X	X	X
18	353375-451	BED (BOTTOM) COVER & CABINET BOLT WASHER	X	X	X	X	X	X	X	X
19	514608	BED (BOTTOM) COVER & CABINET BOLT NUT	X	X	X	X	X	X	X	X

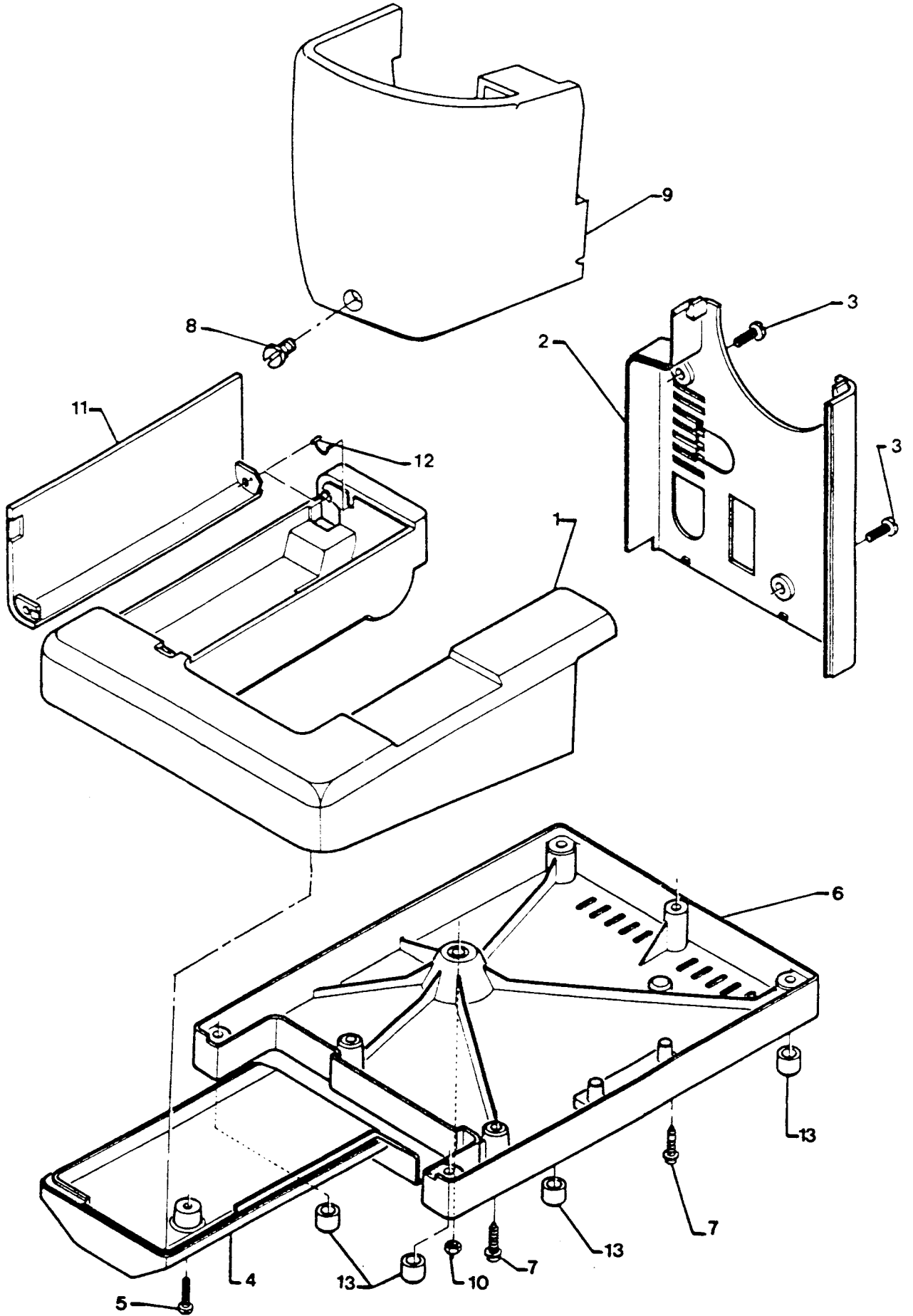
ARM TOP COVER



PART LIST  
ARM TOP COVER

REF.	PART NBR	DESCRIPTION	4	4	4	4	4	4	4	4
			8	8	8	8	8	8	8	8
			1	1	1	2	2	2	2	3
			4	7	8	0	2	4	6	8
01	179967-461	ARM TOP COVER THREAD LEAD OFF (LARGE)	X	X	X	X	X	X	X	X
02	354895-453	ARM TOP COVER SCREW	X	X	X	X	X	X	X	X
03	353343	ARM TOP COVER MOUNTING BRACKET (RIGHT)	X	X	X	X	X	X	X	X
04	357072-XXX	ARM TOP COVER COMPLETE	X							
04	357072-004	ARM TOP COVER COMPLETE		X						
04	357072-XXX	ARM TOP COVER COMPLETE			X					
04	357072-005	ARM TOP COVER COMPLETE				X				
04	357072-003	ARM TOP COVER COMPLETE					X			
04	357072-XXX	ARM TOP COVER COMPLETE						X		
04	357072-XXX	ARM TOP COVER COMPLETE							X	
04	357072-XXX	ARM TOP COVER COMPLETE								X
04	357072-002	ARM TOP COVER COMPLETE								X
05	354975-451	ARM TOP COVER SCREW (RIGHT, FRONT)	X	X	X	X	X	X	X	X
06	356786	ARM TOP COVER MACHINE HANDLE HINGE BRACKET	X	X	X	X	X	X	X	X
07	353573	ARM TOP COVER MACHINE HANDLE WASHER	X	X	X	X	X	X	X	X
08	141936-833	BOBBIN WINDER TENSION BRACKET ADJUSTING SCREW	X	X	X	X	X	X	X	X
09	44794	BOBBIN WINDER TENSION BRACKET ADJUSTING SCREW RETAINING CLIP	X	X	X	X	X	X	X	X
10	356955-451	ARM TOP COVER MACHINE HANDLE	X	X	X	X	X	X	X	X
11	356047	BOBBIN WINDER TENSION COMPLETE	X	X	X	X	X	X	X	X
12	356050-453	ARM TOP COVER THREAD GUIDE	X	X	X	X	X	X	X	X
13	446138	ARM TOP COVER THREAD GUIDE SCREW WASHER	X	X	X	X	X	X	X	X
14	356116-451	ARM TOP COVER THREAD GUIDE SCREW	X	X	X	X	X	X	X	X
15	356788	ARM TOP COVER HANDLE BRACKET NUT PLATE	X	X	X	X	X	X	X	X
16	354633-453	ARM TOP COVER HANDLE BRACKET SCREW	X	X	X	X	X	X	X	X
17	141920-453	BOBBIN WINDER STOP SCREW	X	X	X	X	X	X	X	X
18	445924	BOBBIN WINDER STOP	X	X	X	X	X	X	X	X
19	53640-819	BOBBIN WINDER STOP SCREW NUT	X	X	X	X	X	X	X	X
20	531766	BOBBIN WINDER HINGE STUD SPRING	X	X	X	X	X	X	X	X
21	445486	BOBBIN WINDER RETAINING RING	X	X	X	X	X	X	X	X
22	531767-452	BOBBIN WINDER ASSEMBLY	X	X	X	X	X	X	X	X
23	356913	BOBBIN WINDER SPINDLE COMPLETE	X	X	X	X	X	X	X	X
24	113455-001	ARM TOP COVER MOUNTING BRACKET SCREW	X	X	X	X	X	X	X	X
25	531770-452	BOBBIN WINDER FRAME	X	X	X	X	X	X	X	X
26	44440	BOBBIN WINDER PULLEY	X	X	X	X	X	X	X	X
27	15287-701	BOBBIN WINDER FRICTION RING (RUBBER)	X	X	X	X	X	X	X	X
28	354826-451	ARM TOP COVER MOUNTING BRACKET SCREW	X	X	X	X	X	X	X	X
29	531765	ARM TOP COVER MOUNTING BRACKET (LEFT)	X	X	X	X	X	X	X	X
30	356843-454	ARM TOP COVER SHROUDED	X	X	X	X	X	X	X	X

COVERS & ADD-ONS



PART LIST  
COVERS & ADD-ONS

4 4 4 4 4 4 4 4 4  
8 8 8 8 8 8 8 8 8  
1 1 1 2 2 2 2 2 3  
4 7 8 0 2 4 6 8 0

REF.	PART NBR	DESCRIPTION							
01	356989-451	BED EXTENSION PLATE	X	X	X	X	X	X	X
02		REFER TO CHARTS ON FOLLOWING PAGES							
03	354637-453	ARM END COVER SCREW	X	X	X	X	X	X	X
04	446493-453	BED (TUBULAR) BOTTOM COVER (PLASTIC)	X	X	X	X	X	X	X
05	354895-453	BED (TUBULAR) BOTTOM COVER FASTENING SCREW	X	X	X	X	X	X	X
06	356929-451	BED (BOTTOM) COVER (PLASTIC)	X	X	X	X	X	X	X
07	113455-001	BED (BOTTOM) COVER FASTENING SCREW	X	X	X	X	X	X	X
08	354133-453	FACE PLATE SCREW	X	X	X	X	X	X	X
09	356806-452	FACE PLATE COMPLETE (WITHOUT GRILLE)	X	X	X	X	X	X	X
10	514608	BED (BOTTOM) COVER FASTENING SCREW NUT	X	X	X	X	X	X	X
11	356956-451	BED EXTENSION LID	X	X	X	X	X	X	X
12	357002	BED EXTENSION SPRING	X	X	X	X	X	X	X
13	353559-451	BED CUSHION	X	X	X	X	X	X	X
14	357064	BED EXTENSION CLOTH PLATE CUSHION	X	X	X	X	X	X	X
15	357056-451	BED EXTENSION CLOTH PLATE LID LIFTING PIN	X	X	X	X	X	X	X
16	357059	BED EXTENSION CLOTH PLATE LID LIFTING PIN SPRING	X	X	X	X	X	X	X
17	446417	BED EXTENSION CLOTH PLATE LID LIFTING PIN RETAINING RING	X	X	X	X	X	X	X



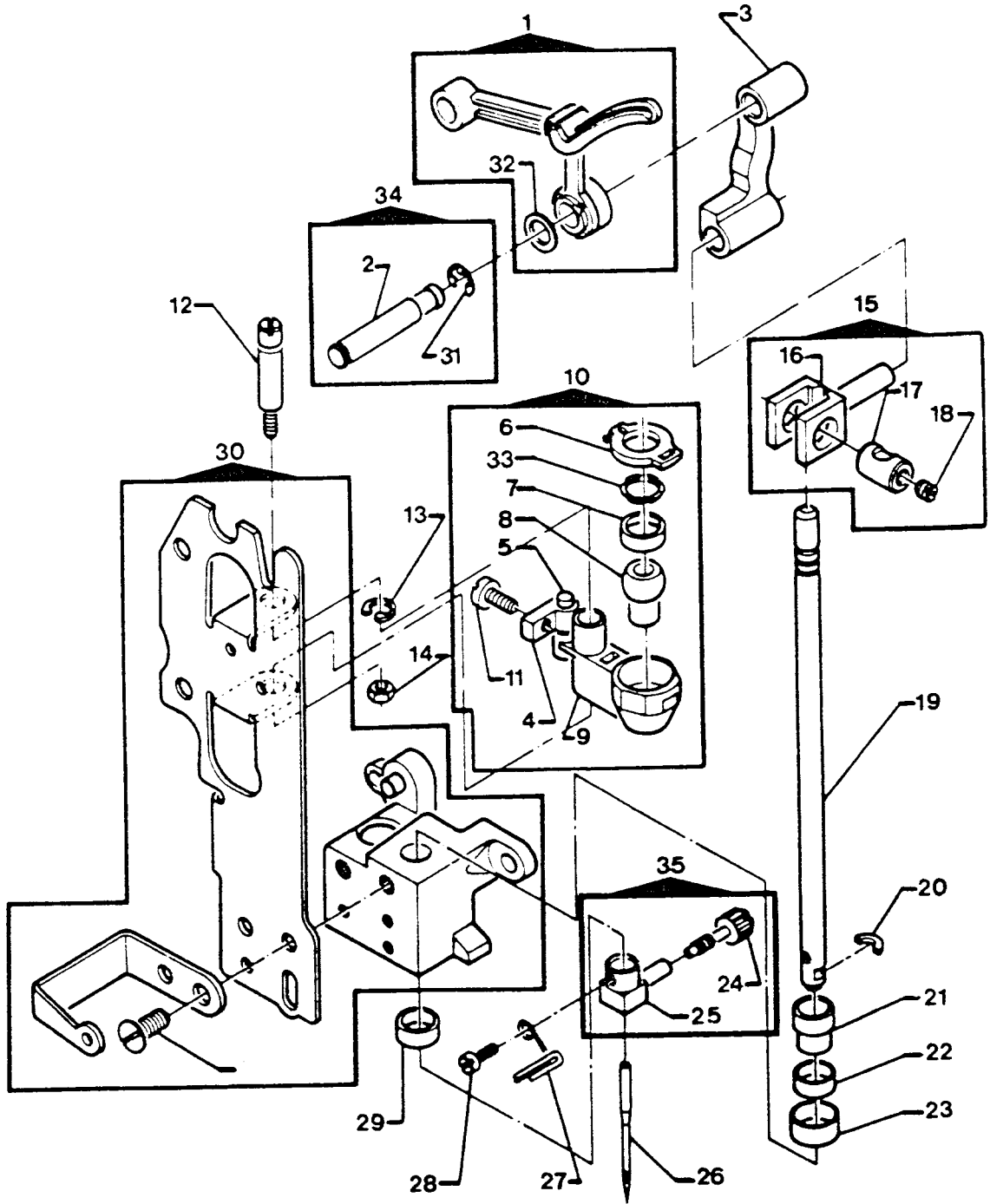
PART LIST  
 COVERS & ADD-ONS  
 CONTINUATION

4 4 4 4 4 4 4 4 4  
 8 8 8 8 8 8 8 8 8  
 1 1 1 2 2 2 2 2 3  
 4 7 8 0 2 4 6 8 0

REF.	PART NBR	DESCRIPTION	4	7	8	0	2	4	6	8	0
02	356953-XXX	ARM END COVER	X								
02	356953-038	ARM END COVER		X							
02	356953-XXX	ARM END COVER			X						
02	356953-039	ARM END COVER				X					
02	356953-035	ARM END COVER					X				
02	356953-XXX	ARM END COVER						X			
02	356953-XXX	ARM END COVER							X		
02	356953-XXX	ARM END COVER								X	
02	356953-034	ARM END COVER									X



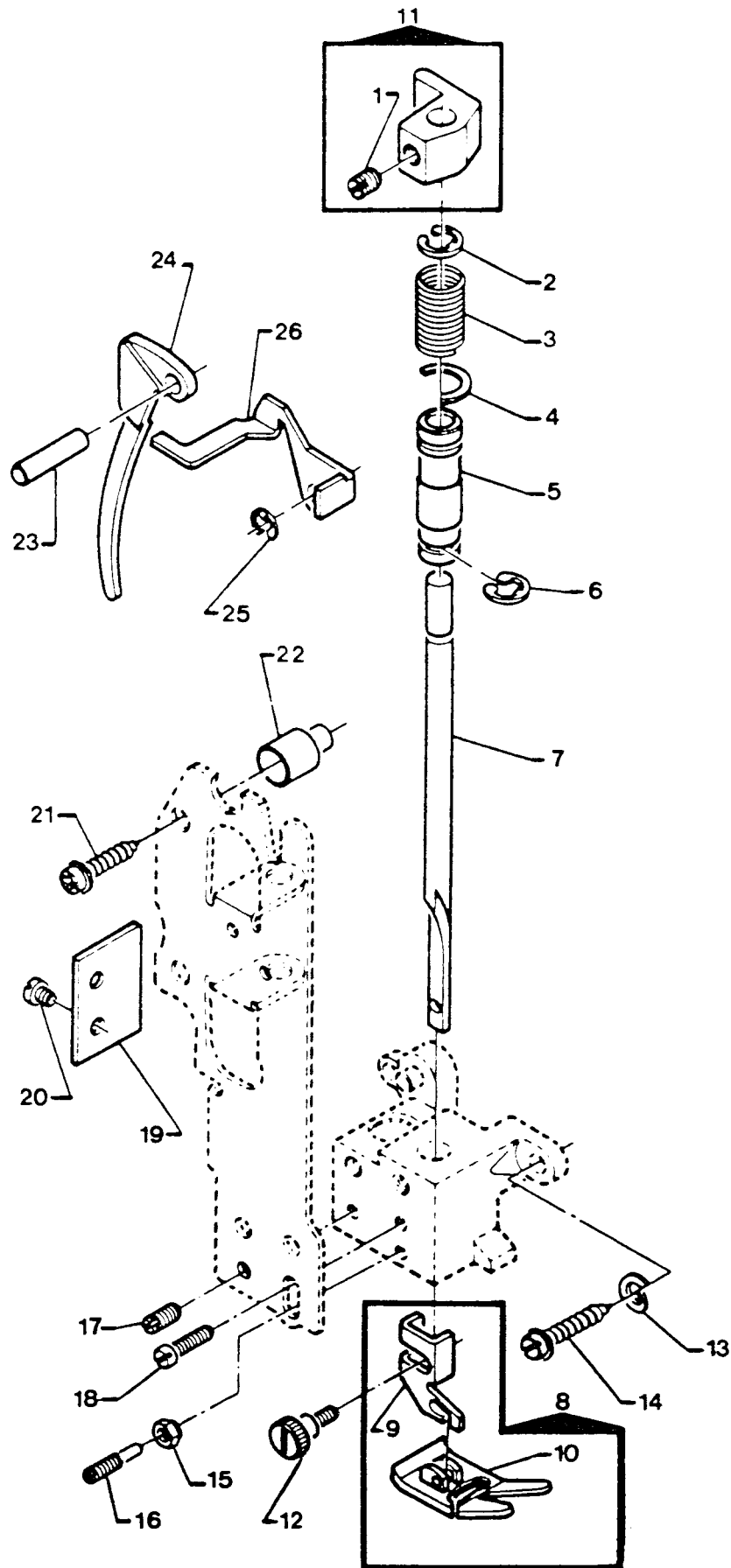
NEEDLE BAR



PART LIST  
NEEDLE BAR

REF.	PART NBR	DESCRIPTION	4	4	4	4	4	4	4	4
			4	4	4	4	4	4	4	4
			9	8	8	8	8	8	8	8
			1	1	1	2	2	2	2	3
			4	7	8	0	2	4	6	8
01	445672	THREAD TAKE-UP LEVER COMPLETE	X	X	X	X	X	X	X	X
02	446260	THREAD TAKE-UP STUD	X	X	X	X	X	X	X	X
03	446357	NEEDLE BAR CONNECTING LINK	X	X	X	X	X	X	X	X
04	446190	NEEDLE BAR DRIVING ARM HINGE BRACKET	X	X	X	X	X	X	X	X
05	37935	NEEDLE BAR DRIVING ARM HINGE BRACKET HINGE PIN	X	X	X	X	X	X	X	X
06	353522	NEEDLE BAR BALL BUSHING (UPPER) RETAINING RING	X	X	X	X	X	X	X	X
07	507379	NEEDLE BAR BALL BUSHING (UPPER) SOCKET (LOWER)	X	X	X	X	X	X	X	X
08	446355-001	NEEDLE BAR BALL BUSHING (UPPER)	X	X	X	X	X	X	X	X
09	353521	NEEDLE BAR VIBRATING BRACKET	X	X	X	X	X	X	X	X
10	353520	NEEDLE BAR VIBRATING BRACKET COMPLETE	X	X	X	X	X	X	X	X
11	141844-451	NEEDLE BAR DRIVING ARM HINGE BRACKET SCREW	X	X	X	X	X	X	X	X
12	446359	NEEDLE BAR VIBRATING BRACKET HINGE PIN	X	X	X	X	X	X	X	X
13	445721	NEEDLE BAR VIBRATING BRACKET HINGE PIN RETAINING RING	X	X	X	X	X	X	X	X
14	353402-451	NEEDLE BAR VIBRATING BRACKET HINGE PIN NUT	X	X	X	X	X	X	X	X
15	353549-940	NEEDLE BAR CONNECTING STUD WITH HINGE PIN	X	X	X	X	X	X	X	X
16	353549	NEEDLE BAR CONNECTING STUD	X	X	X	X	X	X	X	X
17	37931	NEEDLE BAR CONNECTING STUD HINGE PIN	X	X	X	X	X	X	X	X
18	141916-833	NEEDLE BAR CLAMPING SCREW	X	X	X	X	X	X	X	X
19	445793	NEEDLE BAR	X	X	X	X	X	X	X	X
20	37943	NEEDLE BAR GIB	X	X	X	X	X	X	X	X
21	446355-001	NEEDLE BAR BALL BUSHING (LOWER)	X	X	X	X	X	X	X	X
22	507379	NEEDLE BAR BALL BUSHING (LOWER) SOCKET	X	X	X	X	X	X	X	X
23	446361-001	NEEDLE BAR BALL BUSHING (LOWER) ADJUSTING COLLAR	X	X	X	X	X	X	X	X
24	355248-451	NEEDLE THUMB SCREW	X	X	X	X	X	X	X	X
25	353630	NEEDLE CLAMP BODY	X	X	X	X	X	X	X	X
26	204514-100	NEEDLE 2045 SIZE NBR 14	X	X	X	X	X	X	X	X
27	353629	NEEDLE CLAMP THREAD GUIDE	X	X	X	X	X	X	X	X
28	141808-451	NEEDLE CLAMP BODY, NEEDLE CLAMP THREAD GUIDE & NEEDLE STOP SCREW	X	X	X	X	X	X	X	X
29	44450	NEEDLE BAR BALL BUSHING (LOWER) SOCKET (UPPER)	X	X	X	X	X	X	X	X
30	356599	NEEDLE BAR, PRESSER BAR & VIBRATING BRACKET HOUSING ASSEMBLY	X	X	X	X	X	X	X	X
31	445486	THREAD TAKE-UP STUD RETAINING RING	X	X	X	X	X	X	X	X
32	543531	THREAD TAKE-UP STUD THRUST WASHER	X	X	X	X	X	X	X	X
33	353424	NEEDLE BAR BALL BUSHING (UPPER) WAVED WASHER	X	X	X	X	X	X	X	X
34	446261	THREAD TAKE-UP STUD WITH RETAINING RING	X	X	X	X	X	X	X	X
35	353631	NEEDLE CLAMP BODY WITH SCREW	X	X	X	X	X	X	X	X
36	113480-451	NEEDLE BAR, PRESSER BAR & VIBRATING BRACKET HOUSING PLATE MOUNTING SCREW	X	X	X	X	X	X	X	X

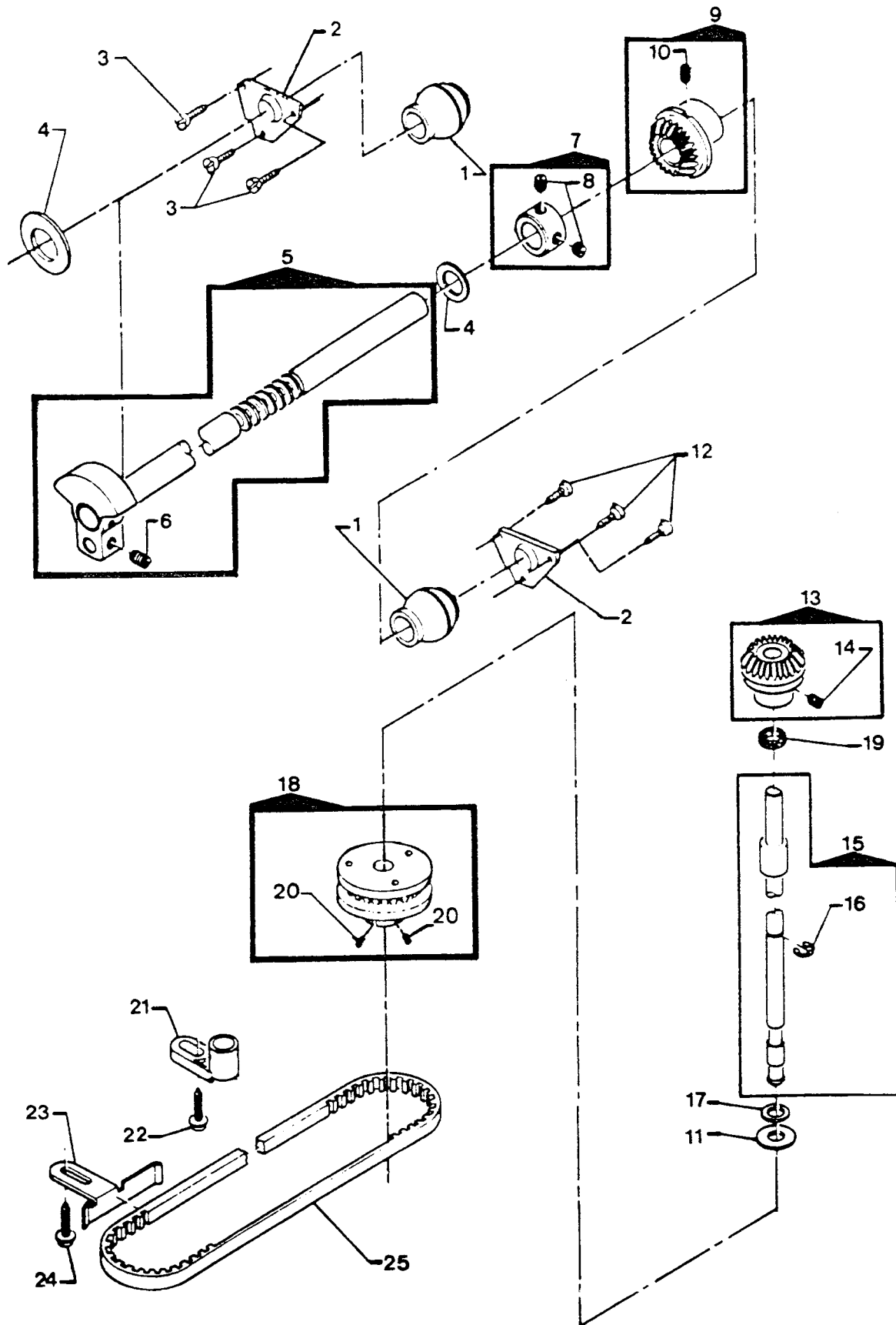
PRESSER BAR



PART LIST  
PRESSER BAR

REF.	PART NBR	DESCRIPTION	4	4	4	4	4	4	4	4
			8	8	8	8	8	8	8	8
			1	1	1	2	2	2	2	3
			4	7	8	0	2	4	6	8
01	141925-833	PRESSER BAR GUIDE BRACKET SET SCREW	X	X	X	X	X	X	X	X
02	353215	PRESSER BAR SPRING RETAINING RING (UPPER)	X	X	X	X	X	X	X	X
03	353214	PRESSER BAR SPRING	X	X	X	X	X	X	X	X
04	353252	PRESSER BAR SPRING RETAINING RING	X	X	X	X	X	X	X	X
05	445947-001	PRESSER BAR BUSHING	X	X	X	X	X	X	X	X
06	353252	PRESSER BAR BUSHING LOCATING RING	X	X	X	X	X	X	X	X
07	314638	PRESSER BAR	X	X	X	X	X	X	X	X
08	446372	PRESSER FOOT (SNAP-ON) COMPLETE FOR ZIG-ZAG SEWING	X	X	X	X	X	X	X	X
09	155964	PRESSER FOOT SHANK (SNAP-ON)	X	X	X	X	X	X	X	X
10	446371	PRESSER FOOT PLATE (SNAP-ON) FOR ZIG-ZAG SEWING	X	X	X	X	X	X	X	X
11	353212	PRESSER BAR GUIDE BRACKET ASSEMBLY	X	X	X	X	X	X	X	X
12	354135-452	PRESSER FOOT THUMB SCREW	X	X	X	X	X	X	X	X
13	353375-451	NEEDLE BAR, PRESSER BAR & VIBRATING BRACKET HOUSING MOUNTING SCREW (LOWER) WASHER	X	X	X	X	X	X	X	X
14	113434-451	NEEDLE BAR, PRESSER BAR & VIBRATING BRACKET HOUSING MOUNTING SCREW (LOWER)	X	X	X	X	X	X	X	X
15	54591-451	NEEDLE BAR OVERTHROW SET SCREW NUT	X	X	X	X	X	X	X	X
16	354993-451	NEEDLE BAR OVERTHROW SET SCREW	X	X	X	X	X	X	X	X
17	354906-451	PRESSER BAR BUSHING SET SCREW	X	X	X	X	X	X	X	X
18	141938-833	NEEDLE BAR BALL BUSHING (LOWER) ADJUSTING COLLAR SET SCREW	X	X	X	X	X	X	X	X
19	446353	PRESSER BAR GUIDE BRACKET POSITIONER	X	X	X	X	X	X	X	X
20	141913-451	PRESSER BAR GUIDE BRACKET POSITIONER SCREW	X	X	X	X	X	X	X	X
21	113455-009	NEEDLE BAR & PRESSER BAR VIBRATING BRACKET HOUSING MOUNTING SCREW (UPPER)	X	X	X	X	X	X	X	X
22	531627	NEEDLE BAR, PRESSER BAR & VIBRATING BRACKET HOUSING MOUNTING BUSHING	X	X	X	X	X	X	X	X
23	446354-451	PRESSER BAR LIFTER HINGE PIN	X	X	X	X	X	X	X	X
24	446356	PRESSER BAR LIFTER	X	X	X	X	X	X	X	X
25	445486	TENSION RELEASING LEVER RETAINING RING	X	X	X	X	X	X	X	X
26	445925	TENSION RELEASING LEVER	X	X	X	X	X	X	X	X

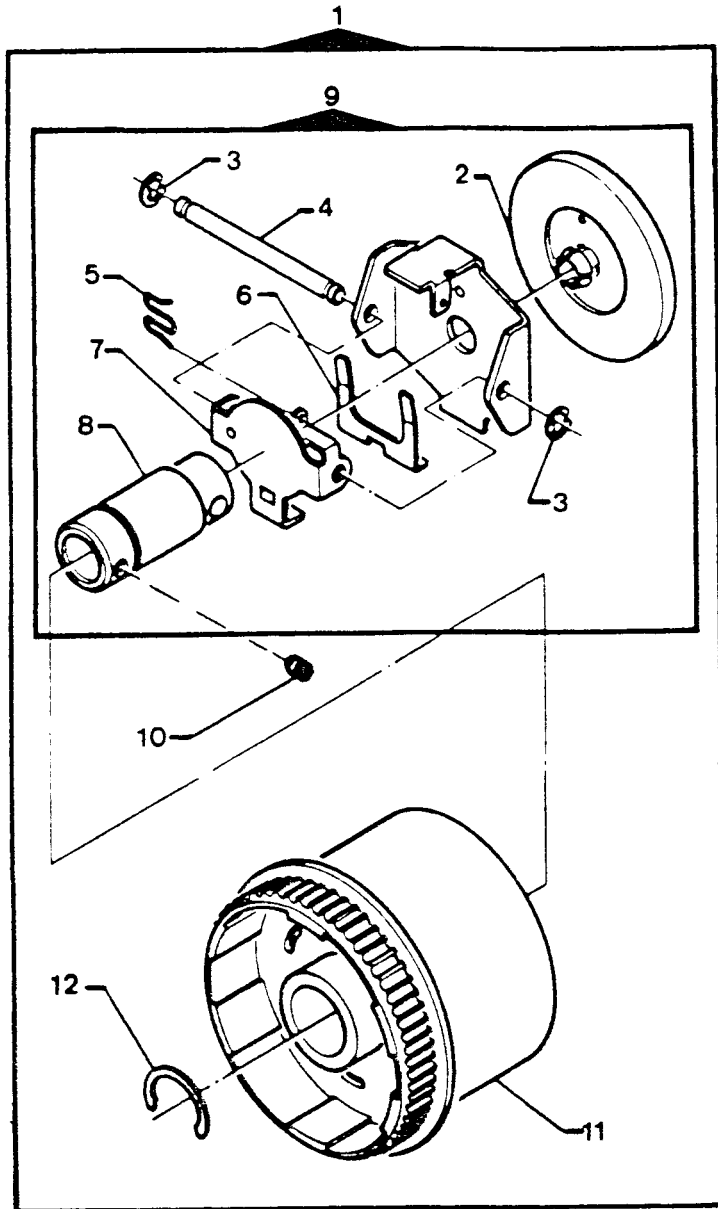
ARM SHAFT DRIVE



PART LIST  
ARM SHAFT DRIVE

REF.	PART NBR	DESCRIPTION	4	4	4	4	4	4	4	4
			8	8	8	8	8	8	8	8
			1	1	1	2	2	2	2	3
			4	7	8	0	2	4	6	8
01	446384	ARM SHAFT BUSHING (FRONT)	X	X	X	X	X	X	X	X
02	446385	ARM SHAFT BUSHING (FRONT) RETAINING BRACKET	X	X	X	X	X	X	X	X
03	113455-001	ARM SHAFT BUSHING (FRONT) RETAINING BRACKET SCREW	X	X	X	X	X	X	X	X
04	319764	ARM SHAFT (HORIZONTAL) RETAINING COLLAR WASHER	X	X	X	X	X	X	X	X
05	531684	ARM SHAFT COMPLETE	X	X	X	X	X	X	X	X
06	354105-833	NEEDLE BAR CRANK POSITION SET SCREW	X	X	X	X	X	X	X	X
07	353580	ARM SHAFT (HORIZONTAL) RETAINING COLLAR	X	X	X	X	X	X	X	X
08	113500-451	ARM SHAFT (HORIZONTAL) RETAINING COLLAR SET SCREW	X	X	X	X	X	X	X	X
09	353272	ARM SHAFT (HORIZONTAL) BEVEL GEAR & FEED LIFTING (ECCENTRIC) COMPLETE	X	X	X	X	X	X	X	X
10	354813-451	ARM SHAFT (HORIZONTAL) BEVEL GEAR & FEED LIFTING ECCENTRIC SET SCREW	X	X	X	X	X	X	X	X
11	353413	ARM SHAFT (HORIZONTAL) BEVEL GEAR & FEED LIFTING ECCENTRIC WASHER (PLASTIC)	X	X	X	X	X	X	X	X
12	113455-001	ARM SHAFT BUSHING (REAR) RETAINING BRACKET SCREW	X	X	X	X	X	X	X	X
13	353273-002	ARM SHAFT (UPRIGHT) BEVEL GEAR (PLASTIC)	X	X	X	X	X	X	X	X
14	354105-833	ARM SHAFT (UPRIGHT) BEVEL GEAR SET SCREW	X	X	X	X	X	X	X	X
15	179952-002	ARM SHAFT (UPRIGHT) ASSEMBLY	X	X	X	X	X	X	X	X
16	353215	ARM SHAFT (UPRIGHT) RETAINING RING	X	X	X	X	X	X	X	X
17	353394	ARM SHAFT (UPRIGHT) RETAINING RING WASHER	X	X	X	X	X	X	X	X
18	353438-001	ARM SHAFT (UPRIGHT) BELT DRIVE PULLEY ASSEMBLY COMPLETE	X	X	X	X	X	X	X	X
19	356819	ARM SHAFT (UPRIGHT) FELT WASHER	X	X	X	X	X	X	X	X
20	354906-451	ARM SHAFT (UPRIGHT) BELT DRIVE PULLEY SET SCREW	X	X	X	X	X	X	X	X
21	531630	ROTATING HOOK DRIVE BELT TENSION ADJUSTER	X	X	X	X	X	X	X	X
22	113453-003	ROTATING HOOK DRIVE BELT TENSIONER SCREW	X	X	X	X	X	X	X	X
23	446376	BELT RETAINER (LEFT)	X	X	X	X	X	X	X	X
24	113455-001	BELT RETAINER (LEFT) SCREW	X	X	X	X	X	X	X	X
25	446237	BELT (ROTATING HOOK DRIVE)	X	X	X	X	X	X	X	X

HAND WHEEL

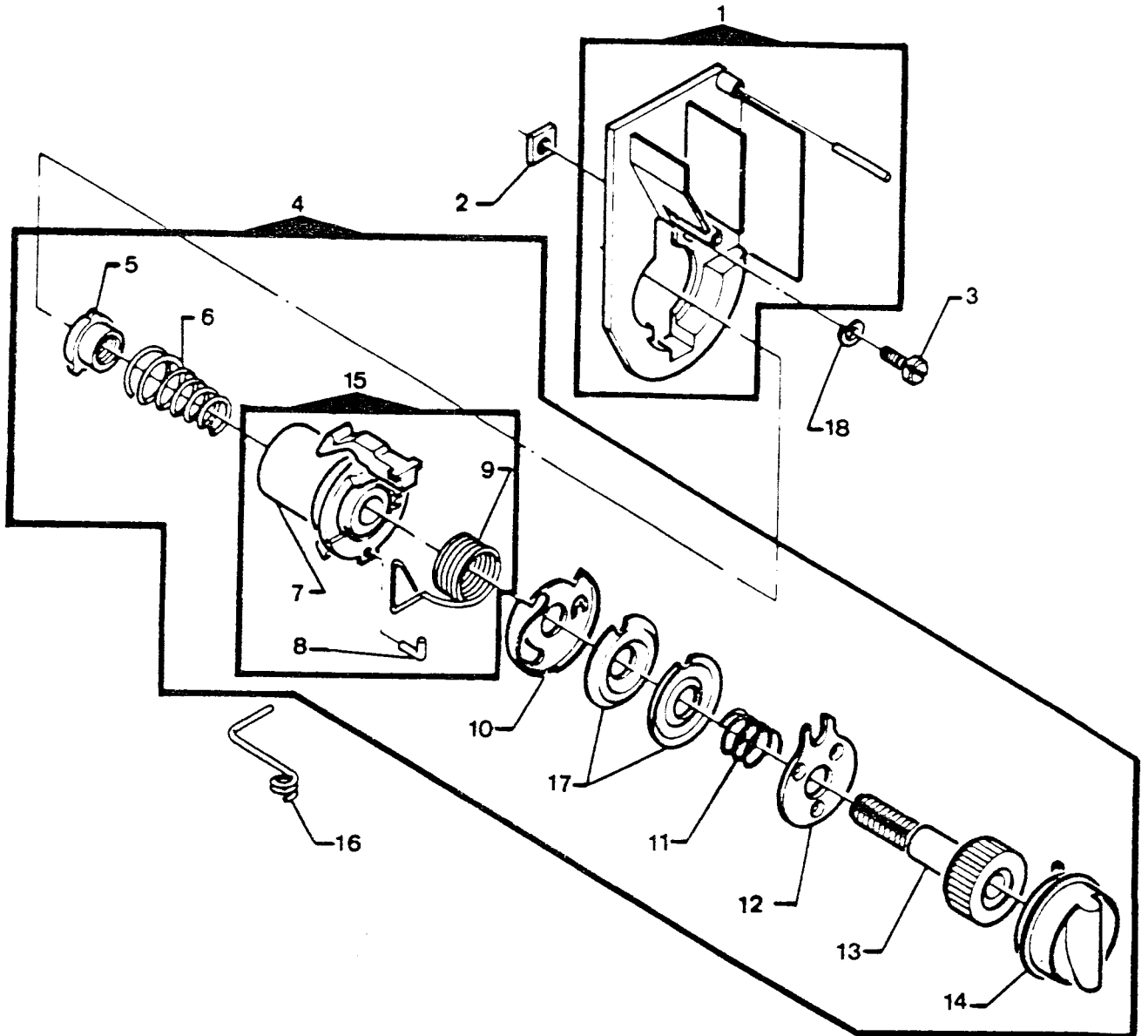


PART LIST  
HAND WHEEL

REF.	PART NBR	DESCRIPTION	4	4	4	4	4	4	4	4
			8	8	8	8	8	8	8	8
			1	1	1	2	2	2	2	3
			4	7	8	0	2	4	6	8
01	357009-451	HAND WHEEL (ELECTRIC) COMPLETE	X	X	X	X	X	X	X	X
02	446297-904	HAND WHEEL DISENGAGING CLUTCH ENGAGING PLATE COVER	X	X	X	X	X	X	X	X
03	445721	HAND WHEEL DISENGAGING CLUTCH ENGAGING PLATE HINGE PIN RETAINING RING	X	X	X	X	X	X	X	X
04	319560	HAND WHEEL DISENGAGING CLUTCH ENGAGING PLATE HINGE PIN	X	X	X	X	X	X	X	X
05	531628	HAND WHEEL DISENGAGING CLUTCH ACTUATING SPRING	X	X	X	X	X	X	X	X
06	319567	HAND WHEEL DISENGAGING CLUTCH BUSHING PLATE RETAINER	X	X	X	X	X	X	X	X
07	319566	HAND WHEEL DISENGAGING CLUTCH BUSHING PLATE	X	X	X	X	X	X	X	X
08	446390	HAND WHEEL DISENGAGING CLUTCH BUSHING	X	X	X	X	X	X	X	X
09	446343-453	HAND WHEEL DISENGAGING CLUTCH BUSHING COMPLETE	X	X	X	X	X	X	X	X
10	354813-451	HAND WHEEL DISENGAGING CLUTCH BUSHING SCREW	X	X	X	X	X	X	X	X
11	356958-451	HAND WHEEL (PLASTIC)	X	X	X	X	X	X	X	X
12	446387	HAND WHEEL RETAINING RING (TREADLE/ELECTRIC)	X	X	X	X	X	X	X	X



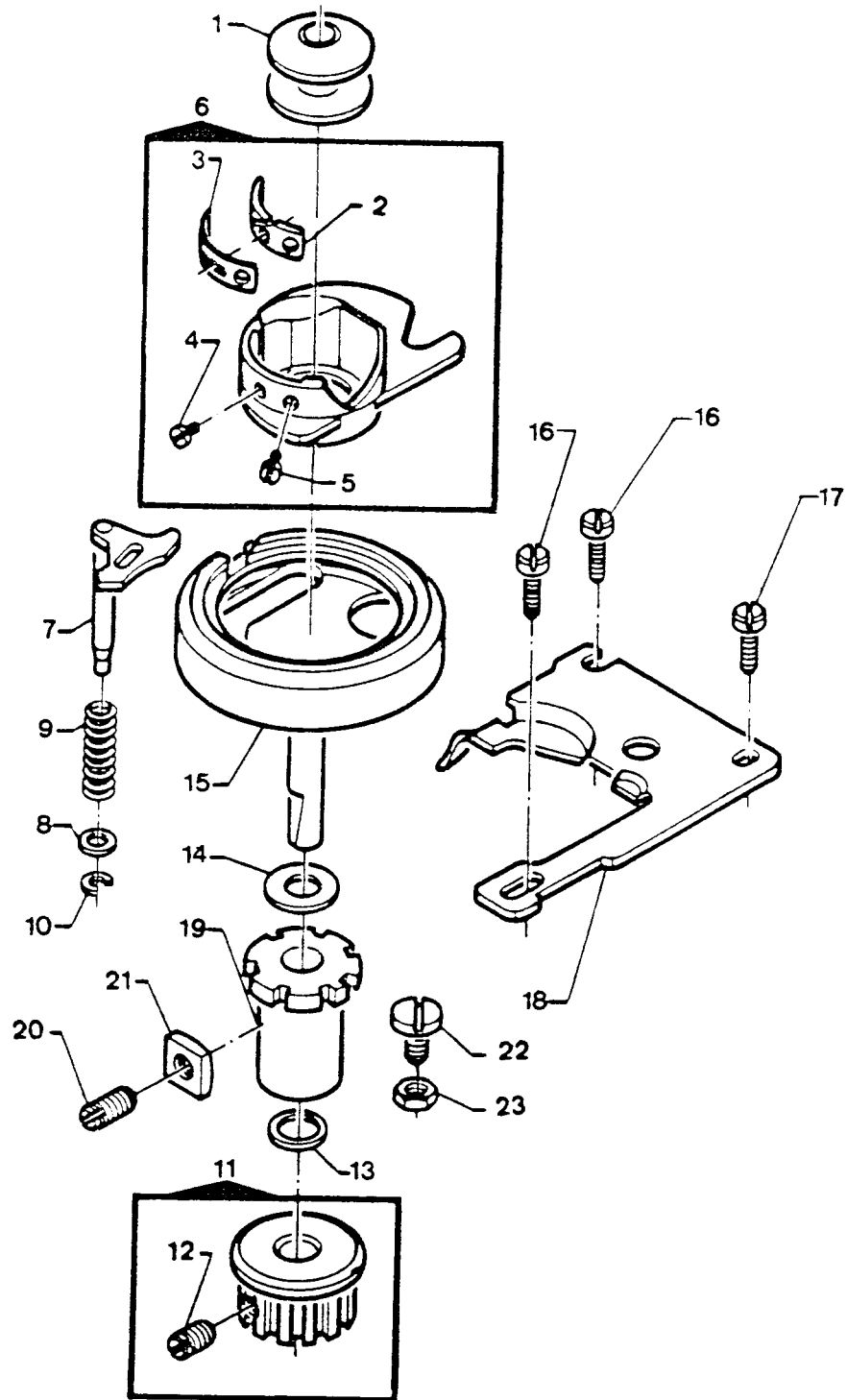
TENSION MECHANISM



PART LIST  
TENSION MECHANISM

REN.	PART NBR	DESCRIPTION	4	4	4	4	4	4	4	4	4
			8	8	8	8	8	8	8	8	8
			1	1	1	2	2	2	2	2	3
			4	7	8	0	2	4	6	8	0
01	356040-452	TENSION MECHANISM SHROUDER ASSEMBLY	X	X	X	X	X	X	X	X	X
02	514698-451	TENSION MECHANISM SHROUDER SCREW NUT	X	X	X	X	X	X	X	X	X
03	141808-451	TENSION MECHANISM SHROUDER SCREW	X	X	X	X	X	X	X	X	X
04	356088-456	TENSION MECHANISM ASSEMBLY	X	X	X	X	X	X	X	X	X
05	356095	TENSION STUD NUT	X	X	X	X	X	X	X	X	X
06	356096	TENSION SPRING	X	X	X	X	X	X	X	X	X
07	356089	TENSION MECHANISM SUPPORT	X	X	X	X	X	X	X	X	X
08	356246-900	TENSION MECHANISM SUPPORT PIN	X	X	X	X	X	X	X	X	X
09	356097	THREAD TAKE-UP SPRING	X	X	X	X	X	X	X	X	X
10	356091	THREAD TAKE-UP SPRING THREAD GUARD	X	X	X	X	X	X	X	X	X
11	356216	TENSION DISC PRESSURE PLATE SPRING	X	X	X	X	X	X	X	X	X
12	356177	TENSION DISC PRESSURE PLATE	X	X	X	X	X	X	X	X	X
13	356092-451	TENSION INDICATOR WITH STUD	X	X	X	X	X	X	X	X	X
14	356090-456	TENSION INDICATOR DIAL	X	X	X	X	X	X	X	X	X
15	356245	TENSION MECHANISM SUPPORT ASSEMBLY	X	X	X	X	X	X	X	X	X
16	445784	THREAD GUIDE (LOWER)	X	X	X	X	X	X	X	X	X
17	356094	TENSION DISC	X	X	X	X	X	X	X	X	X
18	356443	TENSION MECHANISM SHROUDER SCREW WASHER	X	X	X	X	X	X	X	X	X

HOOK SYSTEM

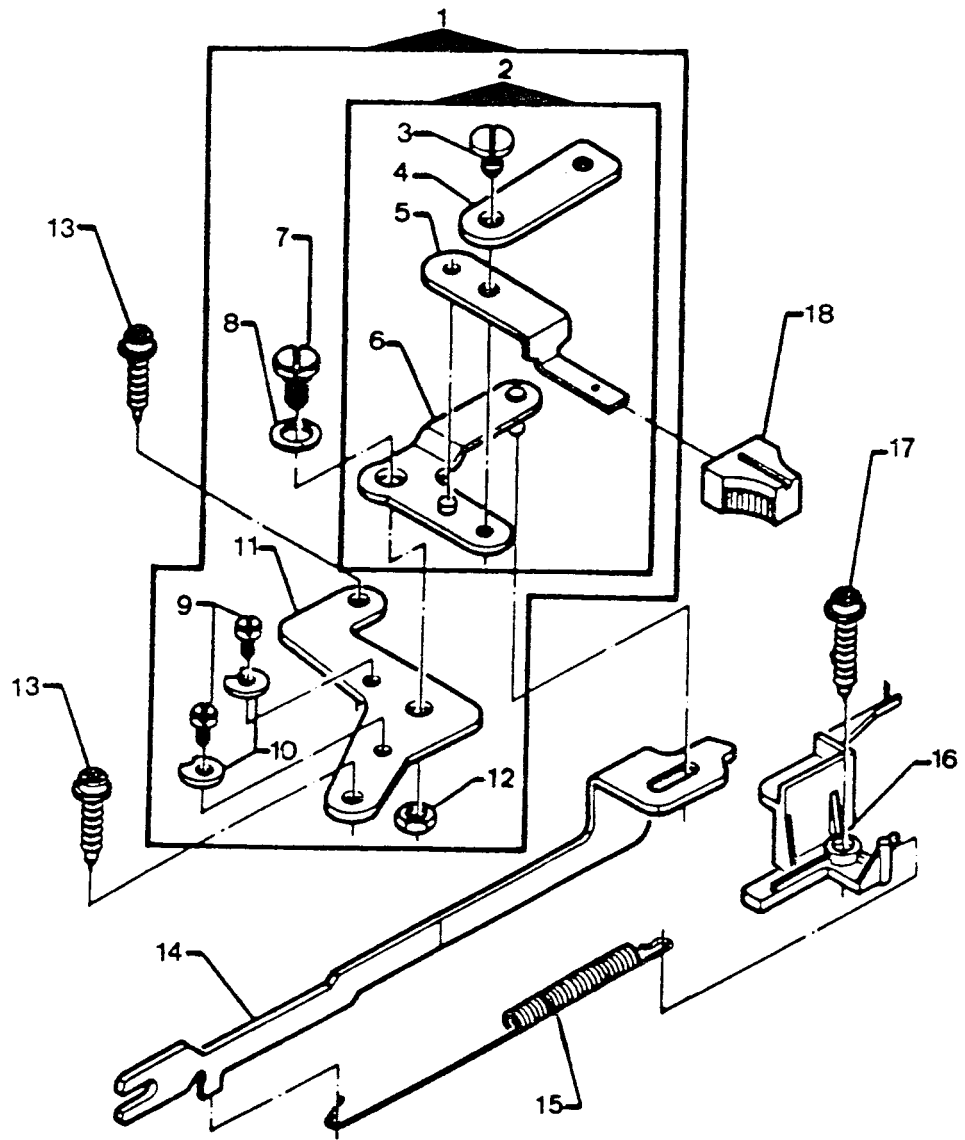


PART LIST  
HOOK SYSTEM

4 4 4 4 4 4 4 4 4  
8 8 8 8 8 8 8 8 8  
1 1 1 2 2 2 2 2 3  
4 7 8 0 2 4 6 8 0

REF.	PART NBR	DESCRIPTION	4	7	8	0	2	4	6	8	0
01	172336	ROTATING HOOK BOBBIN (PLASTIC)	X	X	X	X	X	X	X	X	X
02	356490-451	ROTATING HOOK BOBBIN CASE TENSION SPRING SCREW	X	X	X	X	X	X	X	X	X
03	314715	ROTATING HOOK BOBBIN CASE TENSION SPRING	X	X	X	X	X	X	X	X	X
04	354183-452	ROTATING HOOK BOBBIN CASE TENSION REGULATING SCREW	X	X	X	X	X	X	X	X	X
05	139975-452	ROTATING HOOK BOBBIN CASE TENSION SPRING SEGMENT SCREW	X	X	X	X	X	X	X	X	X
06	421325	ROTATING HOOK BOBBIN CASE	X	X	X	X	X	X	X	X	X
07	353511	ROTATING HOOK BOBBIN CASE RETAINING PLATE ASSEMBLY	X	X	X	X	X	X	X	X	X
08	445808	ROTATING HOOK BOBBIN CASE RETAINING PLATE STUD WASHER	X	X	X	X	X	X	X	X	X
09	44892	ROTATING HOOK BOBBIN CASE RETAINING PLATE STUD SPRING	X	X	X	X	X	X	X	X	X
10	446417	ROTATING HOOK BOBBIN CASE RETAINING PLATE RETAINING RING	X	X	X	X	X	X	X	X	X
11	446235	ROTATING HOOK BELT DRIVE PULLEY	X	X	X	X	X	X	X	X	X
12	141803-451	ROTATING HOOK BELT DRIVE PULLEY SCREW	X	X	X	X	X	X	X	X	X
13	382861-906	ROTATING HOOK BELT DRIVE PULLEY WASHER	X	X	X	X	X	X	X	X	X
14	353453	ROTATING HOOK WEAR WASHER	X	X	X	X	X	X	X	X	X
15	353366	ROTATING HOOK COMPLETE	X	X	X	X	X	X	X	X	X
16	113430-451	ROTATING HOOK BOBBIN CASE POSITION PLATE SCREW	X	X	X	X	X	X	X	X	X
17	113430-451	ROTATING HOOK BOBBIN CASE RETAINING PLATE (ADJUSTABLE & APOSITION PLATE) SCREW	X	X	X	X	X	X	X	X	X
18	44873-001	ROTATING HOOK BOBBIN CASE POSITION PLATE	X	X	X	X	X	X	X	X	X
19	353410-900	ROTATING HOOK BUSHING	X	X	X	X	X	X	X	X	X
20	141938-833	ROTATING HOOK BUSHING SET SCREW	X	X	X	X	X	X	X	X	X
21	353367-451	ROTATING HOOK BUSHING SET SCREW NUT	X	X	X	X	X	X	X	X	X
22	141844-451	ROTATING HOOK BUSHING ADJUSTING SCREW	X	X	X	X	X	X	X	X	X
23	44502-900	ROTATING HOOK BUSHING ADJUSTING SCREW NUT	X	X	X	X	X	X	X	X	X

EIGHT AMPLITUDE

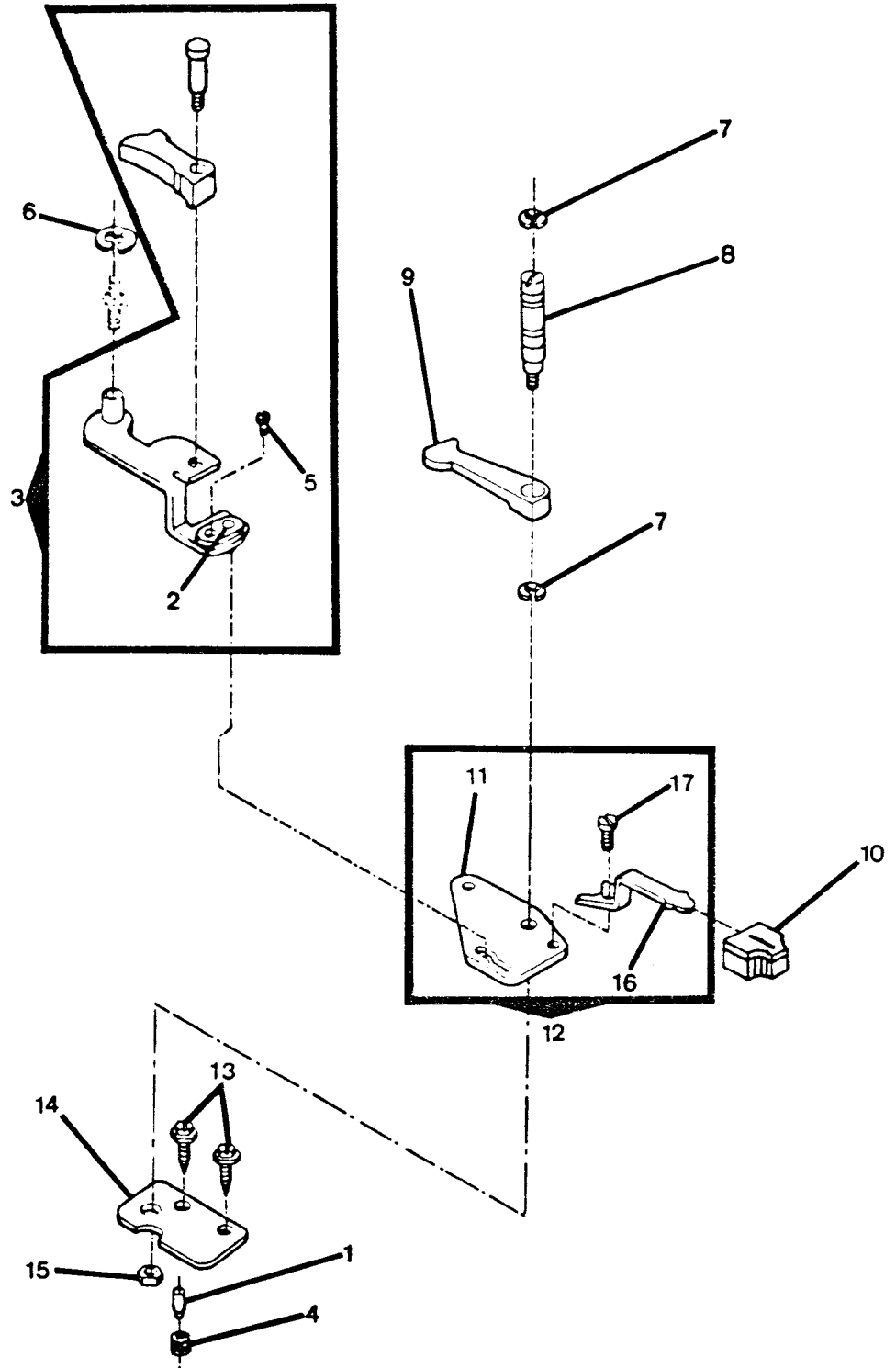


PART LIST  
BIGHT AMPLITUDE

4 4 4 4 4 4 4 4 4  
8 8 8 8 8 8 8 8 8  
1 1 1 2 2 2 2 2 3  
4 7 8 0 2 4 6 8 0

REF.	PART NBR	DESCRIPTION	4	4	4	4	4	4	4	4
01	179893	BIGHT AMPLITUDE CONTROL LEVER MOUNTING BRACKET COMPLETE		X	X	X	X	X	X	X
01	446396	BIGHT AMPLITUDE CONTROL LEVER MOUNTING BRACKET COMPLETE	X							
02	446342	BIGHT AMPLITUDE CONTROL LEVER SUB-ASSEMBLY		X	X	X	X	X	X	X
02	446395	BIGHT AMPLITUDE CONTROL LEVER SUB-ASSEMBLY	X							
03	139866-451	BIGHT AMPLITUDE CONTROL LEVER SCREW		X	X	X	X	X	X	X
03	141913-451	BIGHT AMPLITUDE CONTROL LEVER SCREW	X							
03	141913-451	BIGHT AMPLITUDE CONTROL LEVER SCREW	X	X	X	X	X	X	X	X
04	44556	BUTTONHOLER BIGHT CONTROL CAM FOLLOWER LEVER LINK (LEFT)	X	X	X	X	X	X	X	X
05	446394	BIGHT AMPLITUDE CONTROL LEVER	X	X	X	X	X	X	X	X
06	37246	BIGHT AMPLITUDE CONTROL LEVER LINK	X	X	X	X	X	X	X	X
07	354825-451	BIGHT AMPLITUDE CONTROL LEVER LINK HINGE SCREW	X	X	X	X	X	X	X	X
08	49204	BIGHT AMPLITUDE CONTROL LEVER LINK HINGE SCREW FRICTION WASHER	X	X	X	X	X	X	X	X
09	141913-451	BIGHT AMPLITUDE CONTROL LEVER LINK STOP SCREW	X	X	X	X	X	X	X	X
10	446904	BIGHT AMPLITUDE CONTROL LEVER LINK STOP	X	X	X	X	X	X	X	X
11	531793	BIGHT AMPLITUDE CONTROL LEVER MOUNTING BRACKET	X	X	X	X	X	X	X	X
12	54591-451	BIGHT AMPLITUDE CONTROL LEVER LINK HINGE SCREW NUT	X	X	X	X	X	X	X	X
13	113455-001	BIGHT AMPLITUDE CONTROL LEVER MOUNTING BRACKET SCREW	X	X	X	X	X	X	X	X
14	37933-002	NEEDLE BAR DRIVING ARM	X	X	X	X	X	X	X	X
15	37942	NEEDLE BAR DRIVING ARM TENSION SPRING	X	X	X	X	X	X	X	X
16	445780	LIGHT LEAD SHIELD & NEEDLE BAR DRIVING ARM TENSION SPRING MOUNTING PLATE	X	X	X	X	X	X	X	X
17	113455-009	LIGHT LEAD SHIELD & NEEDLE BAR DRIVING ARM TENSION SPRING MOUNTING PLATE SCREW	X	X	X	X	X	X	X	X
18	356961-451	BIGHT AMPLITUDE CONTROL LEVER KNOB (SNOW WHITE)	X	X	X	X	X	X	X	X

NEEDLE POSITION (4814 ONLY)

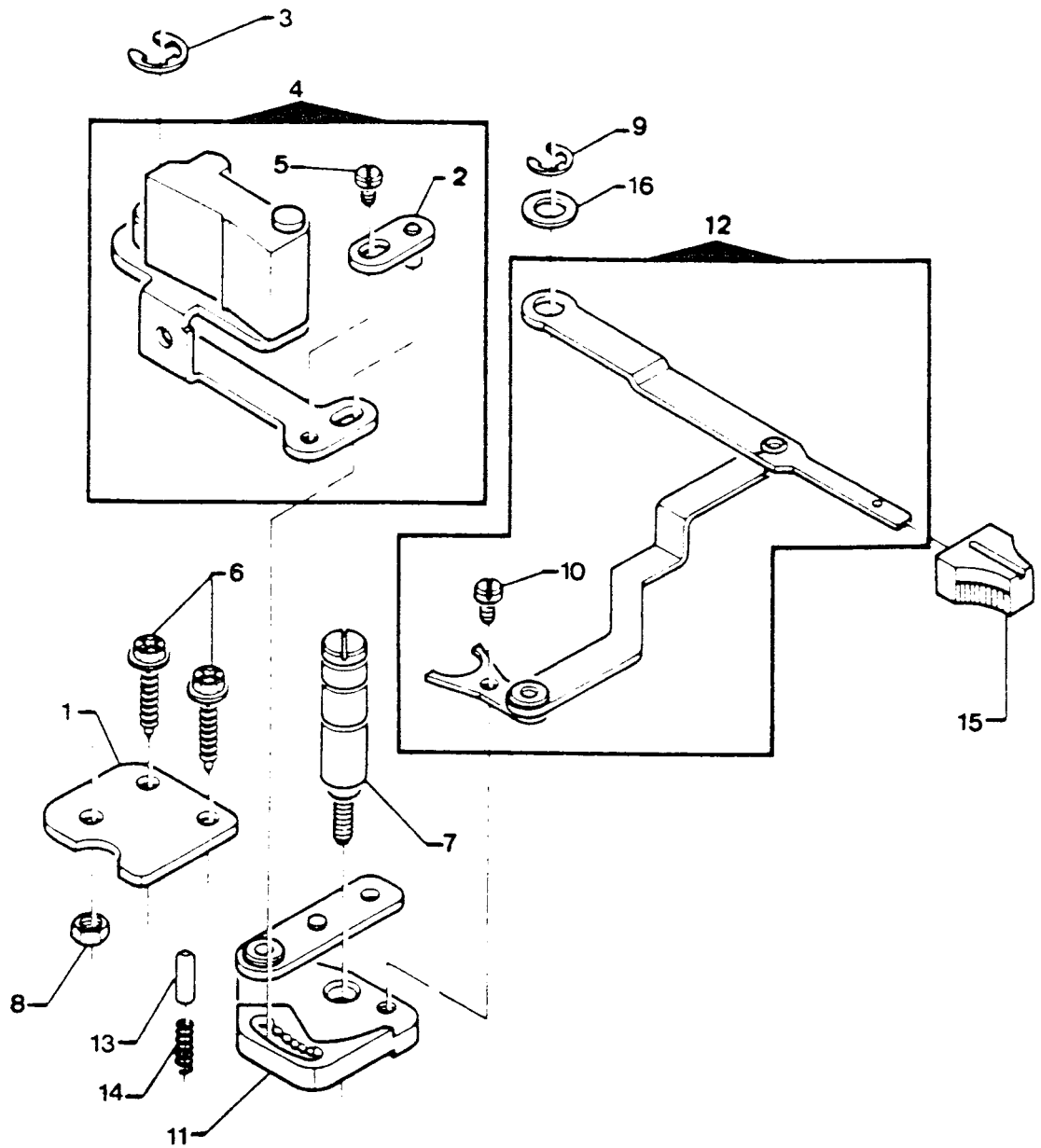


PART LIST  
NEEDLE POSITION

REF.	PART NBR	DESCRIPTION	4	4	4	4	4	4	4	4
			8	8	8	8	8	8	8	8
			1	1	1	2	2	2	2	3
			4	7	8	0	2	4	6	8
01	356228	NEEDLE POSITION SELECTOR LEVER BRACKET POSITIONING PIN								X
02	531736	NEEDLE POSITION SELECTOR BRACKET FOLLOWER STUD ARM ASSEMBLY								X
03	356636	NEEDLE BAR DRIVING ARM SLIDE BRACKET COMPLETE								X
04	444800	NEEDLE POSITION SELECTOR LEVER BRACKET POSITIONING PIN SPRING								X
05	141913-451	NEEDLE POSITION LEVER BRACKET STUD ARM SET SCREW								X
06	445721	NEEDLE BAR DRIVING ARM SLIDE BRACKET RETAINING RING								X
07	44371	DISC FOLLOWER STUD RETAINING (UPPER & LOWER)								X
08	446023	DISC FOLLOWER STUD								X
09	445646	DISC FOLLOWER								X
10	356961-451	NEEDLE POSITION SELECTOR LEVER KNOB (PLASTIC) (SNOW WHITE)								X
11	353547	NEEDLE POSITION SELECTOR LEVER BRACKET								X
12	446399	NEEDLE POSITION SELECTOR LEVER ASSEMBLY								X
13	113455-001	NEEDLE POSITION SELECTOR LEVER MOUNTING PLATE SCREW								X
14	446401	NEEDLE POSITION SELECTOR LEVER MOUNTING PLATE								X
15	54591-451	DISC FOLLOWER STUD NUT								X
16	446397	NEEDLE POSITION SELECTOR LEVER								X
17	141913-451	NEEDLE POSITION SELECTOR LEVER SCREW								X



NEEDLE POSITION

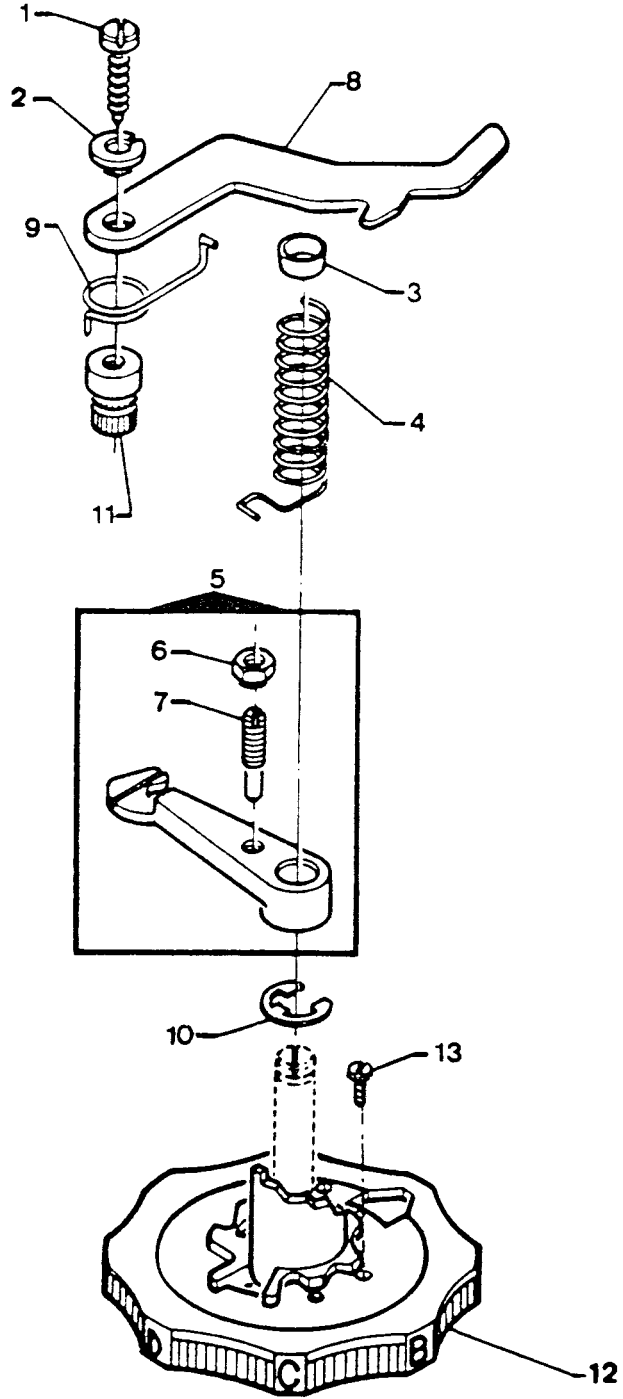


PART LIST  
NEEDLE POSITION

4 4 4 4 4 4 4 4 4  
8 8 8 8 8 8 8 8 8  
1 1 1 2 2 2 2 2 3  
4 7 8 0 2 4 6 8 0

REF.	PART NBR	DESCRIPTION	4	7	8	0	2	4	6	8	0
01	446401	NEEDLE POSITION SELECTOR LEVER ADJUSTING PLATE	X	X	X	X	X	X	X	X	X
02	531736	NEEDLE POSITION SELECTOR LEVER BRACKET FOLLOWER STUD ARM ASSEMBLY	X	X	X	X	X	X	X	X	X
03	445721	NEEDLE BAR DRIVING ARM SLIDE BRACKET RETAINING RING	X	X	X	X	X	X	X	X	X
04	356735-001	NEEDLE BAR DRIVING ARM SLIDE BRACKET COMPLETE	X	X	X	X	X	X	X	X	X
05	141913-451	NEEDLE POSITION LEVER BRACKET STUD ARM SET SCREW	X	X	X	X	X	X	X	X	X
06	113455-001	NEEDLE POSITION SELECTOR LEVER ADJUSTING PLATE SCREW	X	X	X	X	X	X	X	X	X
07	357089	DISC FOLLOWER STUD	X	X	X	X	X	X	X	X	X
08	54591-451	NEEDLE POSITION SELECTOR LEVER ADJUSTING PLATE SCREW NUT	X	X	X	X	X	X	X	X	X
09	445486	NEEDLE POSITION SELECTOR LEVER RETAINING RING	X	X	X	X	X	X	X	X	X
10	141913-451	NEEDLE POSITION SELECTOR LEVER SCREW	X	X	X	X	X	X	X	X	X
11	44628	NEEDLE POSITION SELECTOR LEVER BRACKET ASSEMBLY	X	X	X	X	X	X	X	X	X
12	356744	NEEDLE POSITION SELECTOR LEVER COMPLETE	X	X	X	X	X	X	X	X	X
13	356228	NEEDLE POSITION SELECTOR LEVER BRACKET POSITIONING PIN	X	X	X	X	X	X	X	X	X
14	444800	NEEDLE POSITION SELECTOR LEVER BRACKET POSITIONING PIN SPRING	X	X	X	X	X	X	X	X	X
15	356961-451	NEEDLE POSITION SELECTOR LEVER KNOB (PLASTIC) (SNOW WHITE)	X	X	X	X	X	X	X	X	X
16	49204	NEEDLE POSITION SELECTOR LEVER HINGE STUD WASHER	X	X	X	X	X	X	X	X	X
17	353585	DISC FOLLOWER STUD COLLAR	X	X	X	X	X	X	X	X	X

DISC SELECTOR



PART LIST  
DISC SELECTOR

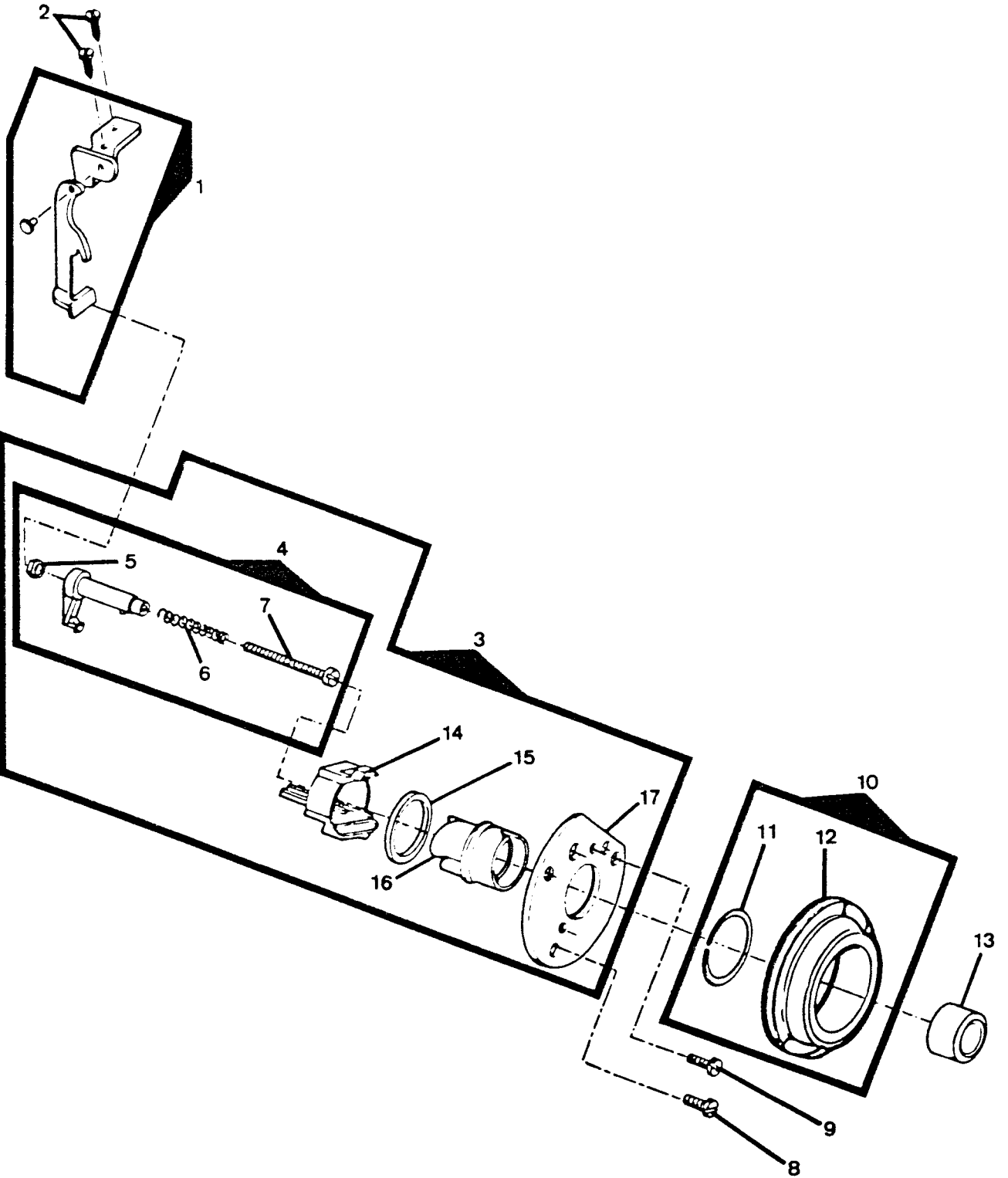
REF.	PART NBR	DESCRIPTION	4	4	4	4	4	4	4	4
			8	8	8	8	8	8	8	8
			1	1	1	2	2	2	2	3
			4	7	8	0	2	4	6	8
01	354826-451	DISC FOLLOWER DISENGAGING LEVER SCREW	X	X	X	X	X	X	X	X
02	356751	DISC FOLLOWER DISENGAGING LEVER BUSHING	X	X	X	X	X	X	X	X
03	353548	DISC FOLLOWER STUD WASHER	X	X	X	X	X	X	X	X
04	356768	DISC FOLLOWER SPRING	X	X	X	X	X	X	X	X
05	356770	DISC FOLLOWER COMPLETE	X	X	X	X	X	X	X	X
06	531699-451	DISC FOLLOWER ADJUSTING SCREW STUD NUT	X	X	X	X	X	X	X	X
07	445341	DISC FOLLOWER ADJUSTING SCREW STUD	X	X	X	X	X	X	X	X
08	356750	DISC FOLLOWER DISENGAGING LEVER	X	X	X	X	X	X	X	X
09	356752	DISC FOLLOWER DISENGAGING LEVER SPRING	X	X	X	X	X	X	X	X
10	603908-001	DISC SELECTOR CAM RETAINING RING	X	X	X	X	X	X	X	X
11	357000	DISC FOLLOWER DISENGAGING LEVER STUD	X	X	X	X	X	X	X	X
12	356749-458	PATTERN SELECTOR CAM DIAL	X				X			
12	356749-XXX	PATTERN SELECTOR CAM DIAL					X			
12	356749-459	PATTERN SELECTOR CAM DIAL						X		
12	356749-XXX	PATTERN SELECTOR CAM DIAL							X	
12	356749-XXX	PATTERN SELECTOR CAM DIAL								X
12	356749-XXX	PATTERN SELECTOR CAM DIAL								X
12	356749-454	PATTERN SELECTOR CAM DIAL								X
13	355247-451	PATTERN SELECTOR CAM POSITIONER SCREW	X	X	X	X	X	X	X	X



PART LIST  
CAM STACK

REF.	PART NBR	DESCRIPTION	4	4	4	4	4	4	4	4
			8	8	8	8	8	8	8	8
			1	1	1	2	2	2	2	3
			4	7	8	0	2	4	6	8
01	357016	DISC STACK ASSEMBLY						X	X	X
02	356969	DISC STACK (PLASTIC)						X	X	X
03	141920-452	DISC STACK PLATE SCREW	X	X	X	X	X	X	X	X
04	356830-003	DISC STACK PLATE SCREW WASHER						X	X	X
05	356982	DISC DRIVING GEAR SHAFT MOUNTING PLATE ASSEMBLY	X	X	X	X	X	X	X	X
06	113455-012	DISC DRIVING GEAR SHAFT MOUNTING PLATE SCREW	X	X	X	X	X	X	X	X
07	356971	DISC DRIVING PLATE						X	X	X
08	356995	DISC STACK (PLASTIC)		X	X	X	X			
09	179957-451	DISC STACK POSITIONING SCREW WASHER	X	X	X	X	X			
10	356999	DISC STACK (PLASTIC)	X							

FEED REGULATOR CAM (4814 ONLY)

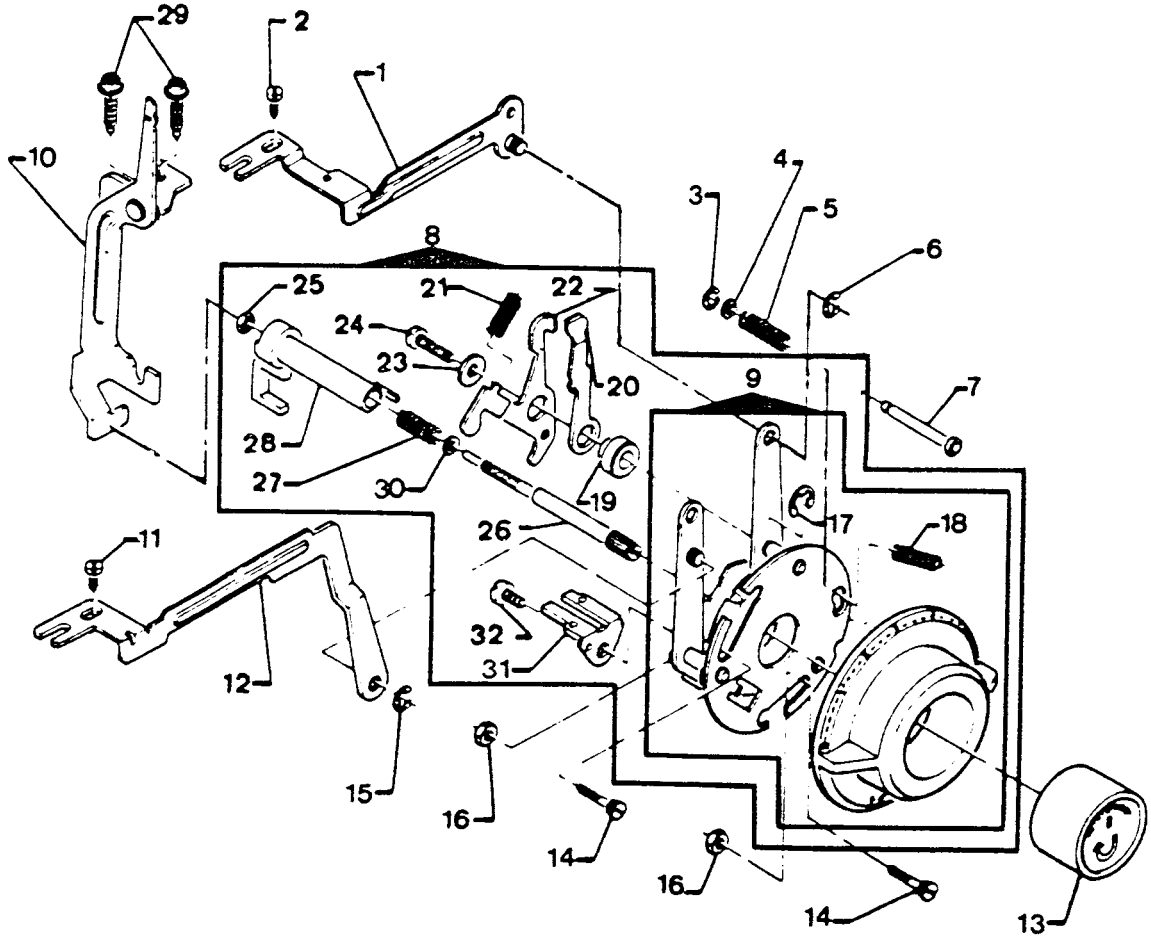


PART LIST  
FEED REGULATOR CAM

REF.	PART NBR	DESCRIPTION	4	4	4	4	4	4	4	4
			8	8	8	8	8	8	8	8
			1	1	1	2	2	2	2	3
			4	7	8	0	2	4	6	8
01	353304	FEED REGULATOR CONTROL ARM ASSEMBLY	X							
02	113455-001	FEED REGULATOR CONTROL ARM MOUNTING BRACKET SCREW	X							
03	353478	FEED REGULATOR CAM COMPLETE	X							
04	365397	FEED REGULATOR CAM FOLLOWER	X							
05	618638-005	FEED REGULATOR CAM FOLLOWER POSITIONING SPRING NUT	X							
06	44892	FEED REGULATOR CAM FOLLOWER POSITIONING SPRING	X							
07	354975-451	FEED REGULATOR CAM FOLLOWER POSITIONING SCREW	X							
08	531806-451	FEED REGULATOR MOUNTING PLATE SCREW (RIGHT)	X							
09	531807-451	FEED REGULATOR MOUNTING PLATE SCREW (LEFT)	X							
10	356998-451	FEED REGULATOR CONTROL DIAL ASSEMBLY	X							
11	445461	FEED REGULATOR CONTROL DIAL RETAINING RING	X							
12	356997-451	FEED REGULATOR CONTROL DIAL	X							
13	356115-452	FEED REGULATOR POSITIONING PIN KNOB	X							
14	446284	FEED REGULATOR MOUNTING PLATE	X							
15	446282	FEED REGULATOR FRICTION WASHER	X							
16	353477	FEED REGULATOR CAM	X							
17	446283	FEED REGULATOR MECHANISM MOUNTING PLATE	X							



BUTTONHOLER & FEED REGULATOR CAM

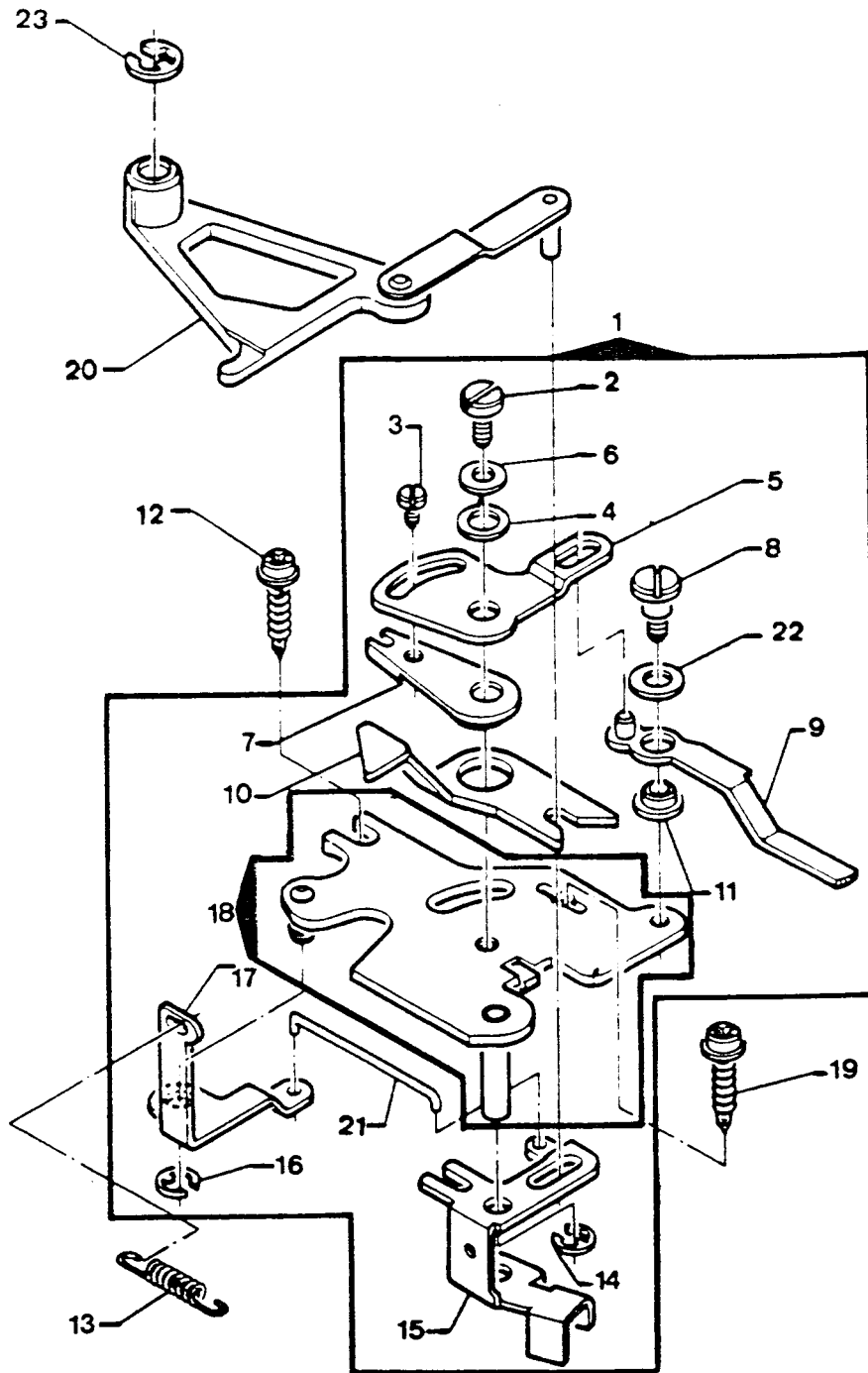


PART LIST  
 BUTTONHOLER & FEED REGULATOR CAM

4 4 4 4 4 4 4 4 4  
 8 8 8 8 8 8 8 8 8  
 1 1 1 2 2 2 2 2 3  
 4 7 8 0 2 4 6 8 0

REF.	PART NBR	DESCRIPTION	4	7	8	0	2	4	6	8	0
01	353536	BUTTONHOLER NEEDLE POSITION CAM FOLLOWER LEVER LINK (RIGHT)	X	X	X	X	X	X	X	X	X
02	141913-451	BUTTONHOLER NEEDLE POSITION CAM FOLLOWER LEVER LINK LEFT & RIGHT) SCREW	X	X	X	X	X	X	X	X	X
03	408030	BUTTONHOLER & FEED REGULATOR MECHANISM MOUNTING PLATE STUD RETAINING RING	X	X	X	X	X	X	X	X	X
04	445808	BUTTONHOLER & FEED REGULATOR MECHANISM MOUNTING PLATE STUD SPRING WASHER	X	X	X	X	X	X	X	X	X
05	179949	BUTTONHOLER & FEED REGULATOR MECHANISM MOUNTING PLATE STUD SPRING	X	X	X	X	X	X	X	X	X
06	445486	BUTTONHOLER BIGHT CONTROL CAM FOLLOWER LEVER LINK (RIGHT) RETAINING RING	X	X	X	X	X	X	X	X	X
07	356230	BUTTONHOLER & F.REG.MECHANISM MOUNT.PLATE STUD	X	X	X	X	X	X	X	X	X
08	357010-451	BUTTONHOLER & FEED REGULATOR CAM COMPLETE		X	X	X	X	X	X	X	X
08	357012-451	BUTTONHOLER & FEED REGULATOR CAM COMPLETE	X								
09	357011-451	BUTTONHOLER & FEED REGULATOR CAM ASSEMBLY		X	X	X	X	X	X	X	X
09	357013-451	BUTTONHOLER & FEED REGULATOR CAM ASSEMBLY	X								
10	353304	FEED REGULATOR CONTROL ARM ASSEMBLY	X	X	X	X	X	X	X	X	X
11	141913-451	BUTTONHOLER BIGHT CONTROL CAM FOLLOWER LEVER LINK (LEFT & RIGHT) SCREW	X	X	X	X	X	X	X	X	X
12	356748	BUTTONHOLER BIGHT CONTROL CAM FOLLOWER LEVER LINK (RIGHT)	X	X	X	X	X	X	X	X	X
13	356653-455	FEED REGULATOR POSITIONING PIN KNOB	X	X	X	X	X	X	X	X	X
14	113513-451	BUTTONHOLER & F.REG.MECHANISM MOUNT.PLATE SCREW	X	X	X	X	X	X	X	X	X
15	445486	BUTTONHOLER BIGHT CONTROL CAM FOLLOWER LEVER LINK (RIGHT) RETAINING RING	X	X	X	X	X	X	X	X	X
16	53640-819	BUTTONHOLER & FEED REGULATOR MECHANISM MOUNTING PLATE SCREW NUT	X	X	X	X	X	X	X	X	X
17	353215	BUTTONHOLER NEEDLE POSITION CAM FOLLOWER LEVER -- RETAINING RING	X	X	X	X	X	X	X	X	X
18	353495	BUTTONHOLER & F.REG.CONTROL DIAL PAWL SPRING	X	X	X	X	X	X	X	X	X
19	353319	CAM CONTROL FEED ENGAGING CAM FOLLOWER & LEVER BUSHING			X	X	X	X	X	X	X
20	353321	CAM CONTROL FEED ENGAGING CAM FOLLOWER LEVER			X	X	X	X	X	X	X
21	353495	CAM CONTROL FEED ENGAGING CAM FOLLOWER & LEVER SPRING			X	X	X	X	X	X	X
22	353320	CAM CONTROL FEED ENGAGING CAM FOLLOWER			X	X	X	X	X	X	X
23	445539	CAM CONTROL FEED ENGAGING CAM FOLLOWER & LEVER WASHER			X	X	X	X	X	X	X
24	113372-451	CAM CONTROL FEED ENGAGING CAM FOLLOWER & LEVER MOUNTING SCREW			X	X	X	X	X	X	X
25	618638-005	FEED REG. POSITIONING PIN CARRIER INSERT NUT	X	X	X	X	X	X	X	X	X
26	356650	FEED REGULATOR POSITIONING PIN	X	X	X	X	X	X	X	X	X
27	44892	FEED REGULATOR POSITIONING PIN FRICTION SPRING	X	X	X	X	X	X	X	X	X
28	356652	FEED REGULATOR POSITIONING PIN CARRIER	X	X	X	X	X	X	X	X	X
29	113455-001	FEED REGULATOR CONTROL ARM SCREW	X	X	X	X	X	X	X	X	X
30	356830-001	FEED REGULATOR POSITIONING PIN WASHER	X	X	X	X	X	X	X	X	X
31	353311-900	FEED REG.POSITIONING PIN CARRIER GUIDE BRACKET	X	X	X	X	X	X	X	X	X
32	113424-451	FEED REG.POSIT.PIN CARRIER GUIDE BKT.SET SCREW	X	X	X	X	X	X	X	X	X

CAM CONTROLLED FEED

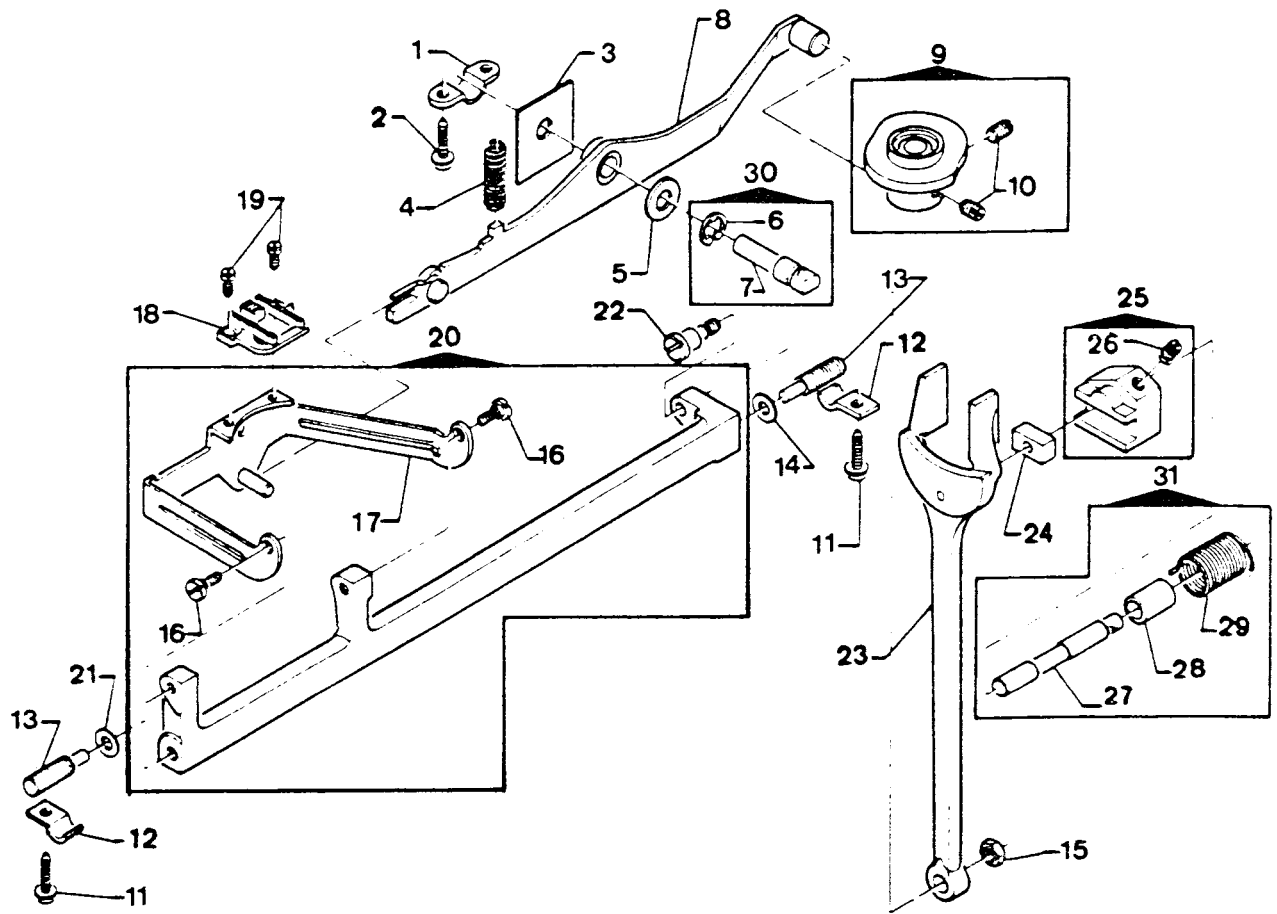


PART LIST  
CAM CONTROLLED FEED

4 4 4 4 4 4 4 4 4  
8 8 8 8 8 8 8 8 8  
1 1 1 2 2 2 2 2 3  
4 7 8 0 2 4 6 8 0

REF.	PART NBR	DESCRIPTION							
01	531749-001	CAM CONTROLLED FEED MOUNTING BRACKET COMPLETE	X	X	X	X	X	X	X
02	113423-451	CAM CONTROLLED FEED BALANCE ADJUSTING PLATE HINGE SCREW	X	X	X	X	X	X	X
03	141913-451	CAM CONTROLLED FEED BALANCE ADJUSTING SCREW	X	X	X	X	X	X	X
04	353492	CAM CONTROLLED FEED BALANCE ADJUSTING SCREW SPRING WASHER	X	X	X	X	X	X	X
05	531754	CAM CONTROLLED FEED BALANCE ADJUSTING PLATE	X	X	X	X	X	X	X
06	543531	CAM CONTROLLED FEED BALANCE ADJUSTING SCREW WASHER	X	X	X	X	X	X	X
07	353331	CAM CONTROLLED FEED DRIVING ARM ECCENTRIC	X	X	X	X	X	X	X
08	113424-451	CAM CONTROLLED FEED BALANCE ADJUSTING LEVER HINGE SCREW	X	X	X	X	X	X	X
09	531752-453	CAM CONTROLLED FEED BALANCE ADJUSTING LEVER ASSEMBLY	X	X	X	X	X	X	X
10	353330-001	CAM CONTROLLED FEED DRIVING ARM	X	X	X	X	X	X	X
11	353334	CAM CONTROLLED FEED BALANCE ADJUSTING LEVER MOUNTING BUSHING	X	X	X	X	X	X	X
12	355243-451	CAM CONTROLLED FEED MOUNTING BRACKET SCREW	X	X	X	X	X	X	X
13	356605	FEED REGULATOR CONTROL ARM BIAS LINK SPRING	X	X	X	X	X	X	X
14	445721	CAM CONTROLLED FEED ENGAGING CRANK RETAINING RING	X	X	X	X	X	X	X
15	353329	CAM CONTROLLED FEED ENGAGING CRANK	X	X	X	X	X	X	X
16	445486	CAM CONTROLLED FEED FOLLOWER & LINK RETAINING RING	X	X	X	X	X	X	X
17	356166	CAM CONTROLLED FEED ENGAGING CRANK LEVER	X	X	X	X	X	X	X
18	531750	CAM CONTROLLED FEED MOUNTING BRACKET ASSEMBLY	X	X	X	X	X	X	X
19	113455-003	CAM CONTROLLED FEED MOUNTING BRACKET SCREW (RIGHT)	X	X	X	X	X	X	X
20	356839	CAM CONTROLLED FEED FOLLOWER & LINK ASSEMBLY	X	X	X	X	X	X	X
21	353473	CAM CONTROLLED FEED ENGAGING CRANK LINK	X	X	X	X	X	X	X
22	179898-001	CAM CONTROLLED FEED BALANCE ADJUSTING LEVER WASHER	X	X	X	X	X	X	X
23	445486	CAM CONTROLLED FEED FOLLOWER & LINK ASSEMBLY RETAINING RING	X	X	X	X	X	X	X

FEED SYSTEM

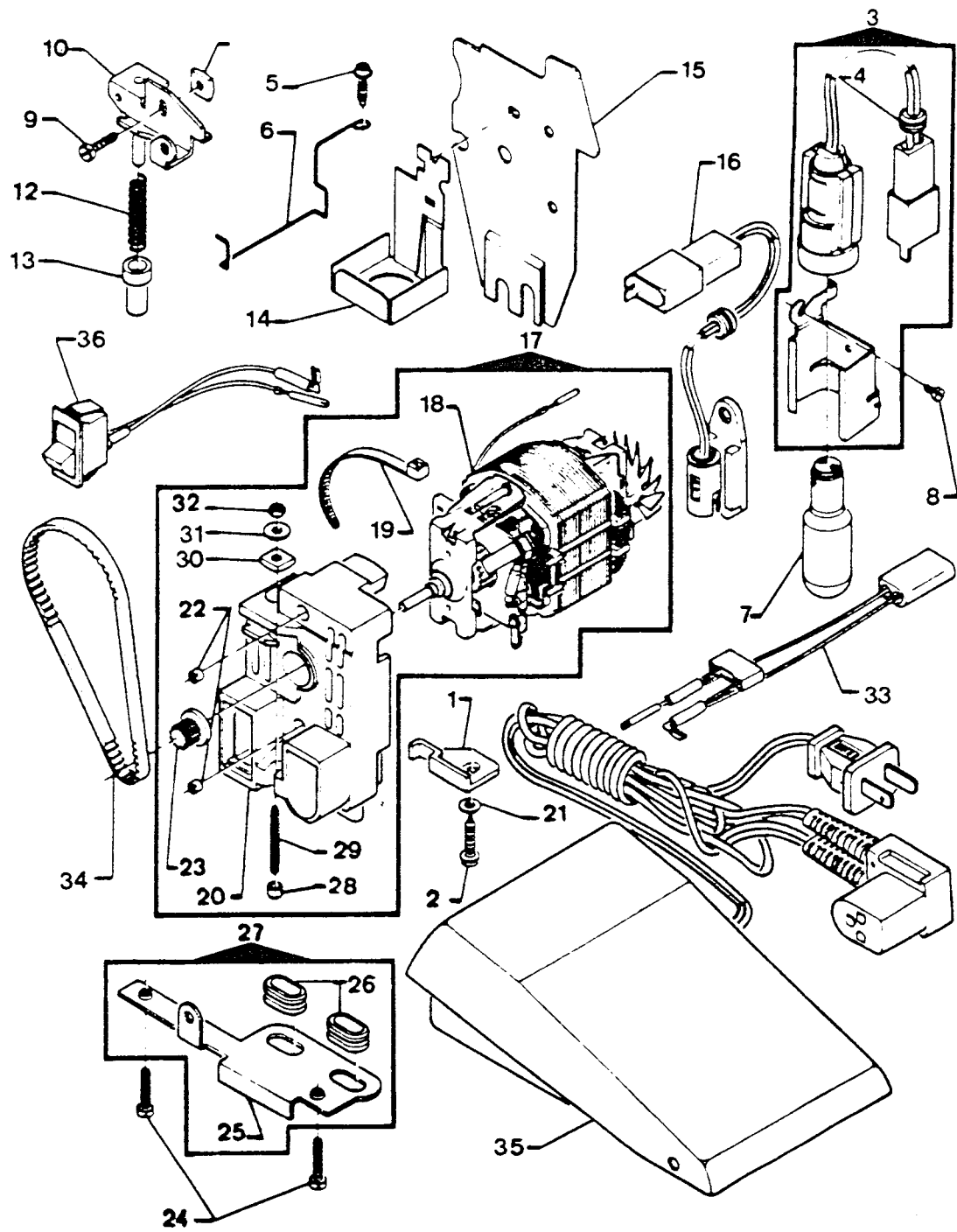


PART LIST  
FEED SYSTEM

4 4 4 4 4 4 4 4 4  
8 8 8 8 8 8 8 8 8  
1 1 1 2 2 2 2 2 3  
4 7 8 0 2 4 6 8 0

REF.	PART NBR	DESCRIPTION	4	7	8	0	2	4	6	8	0
01	446485	FEED LIFTING LEVER HINGE STUD (ECCENTRIC) CLAMP	X	X	X	X	X	X	X	X	X
02	113455-001	FEED LIFTING LEVER HINGE STUD (ECCENTRIC) CLAMP SCREW	X	X	X	X	X	X	X	X	X
03	179955	FEED LIFTING LEVER HINGE STUD (ECCENTRIC) SPACER	X	X	X	X	X	X	X	X	X
04	446249	FEED LIFTING LEVER SPRING	X	X	X	X	X	X	X	X	X
05	353427	FEED LIFTING LEVER HINGE STUD (ECCENTRIC) WASHER	X	X	X	X	X	X	X	X	X
06	353428	FEED LIFTING LEVER HINGE STUD (ECCENTRIC) RETAINING RING	X	X	X	X	X	X	X	X	X
07	353448	FEED LIFTING LEVER HINGE STUD (ECCENTRIC)	X	X	X	X	X	X	X	X	X
08	356222	FEED LIFTING LEVER ASSEMBLY	X	X	X	X	X	X	X	X	X
09	446228	FEED LIFTING CAM	X	X	X	X	X	X	X	X	X
10	544118	FEED LIFTING CAM SCREW	X	X	X	X	X	X	X	X	X
11	113455-001	FEED ROCK SHAFT CENTER SUPPORTING BRACKET SCREW	X	X	X	X	X	X	X	X	X
12	446484	FEED ROCK SHAFT CENTER CLAMP (LEFT & RIGHT)	X	X	X	X	X	X	X	X	X
13	446487-001	FEED ROCK SHAFT CENTER	X	X	X	X	X	X	X	X	X
14	353397	FEED ROCK SHAFT CENTER (RIGHT) NOISE DAMPENING WASHER	X	X	X	X	X	X	X	X	X
15	531623-451	FEED FORKED CONNECTION HINGE SCREW (ECCENTRIC)	X	X	X	X	X	X	X	X	X
16	354939-451	FEED BAR HINGE SCREW	X	X	X	X	X	X	X	X	X
17	446205	FEED BAR ASSEMBLY	X	X	X	X	X	X	X	X	X
18	179891	FEED DOG	X	X	X	X	X	X	X	X	X
19	355235-451	FEED DOG SCREW	X	X	X	X	X	X	X	X	X
20	446216	FEED ROCK SHAFT COMPLETE	X	X	X	X	X	X	X	X	X
21	353397	FEED ROCK SHAFT CENTER (LEFT) NOISE DAMPENING WASHER	X	X	X	X	X	X	X	X	X
22	53648-451	FEED FORKED CONNECTION SCREW STUD NUT	X	X	X	X	X	X	X	X	X
23	531926	FEED FORKED CONNECTION	X	X	X	X	X	X	X	X	X
24	44437	FEED FORKED CONNECTION SLIDE BLOCK	X	X	X	X	X	X	X	X	X
25	446244	FEED REGULATOR ASSEMBLY	X	X	X	X	X	X	X	X	X
26	141925-833	FEED REGULATOR SET SCREW	X	X	X	X	X	X	X	X	X
27	446483	FEED REGULATOR HINGE STUD	X	X	X	X	X	X	X	X	X
28	179890	FEED REGULATOR RETURN SPRING	X	X	X	X	X	X	X	X	X
29	445768	FEED REGULATOR RETURN SPRING BUSHING (PLASTIC)	X	X	X	X	X	X	X	X	X
30	353479	FEED LIFTING LEVER HINGE STUD (ECCENTRIC) WITH RETAINING RING	X	X	X	X	X	X	X	X	X
31	353600	FEED REGULATOR HINGE STUD ASSEMBLY	X	X	X	X	X	X	X	X	X

ELECTRICAL EQUIPMENT



PART LIST  
ELECTRICAL EQUIPMENT

REF.	PART NBR	DESCRIPTION	4	4	4	4	4	4	4	4
			8	8	8	8	8	8	8	8
			1	1	1	2	2	2	2	3
			4	7	8	0	2	4	6	8
01	353411	LIGHT LEAD RETAINING CLIP	X	X	X	X	X	X	X	X
02	113455-009	LIGHT LEAD RETAINING CLIP MOUNTING SCREW	X	X	X	X	X	X	X	X
03		REFER ON CHARTS ON FOLLONING PAGES								
04	179908	LIGHT LEAD GROMMET	X	X	X	X	X	X	X	X
05	113455-001	LIGHT LEAD WIRE RETAINER MOUNTING SCREW	X	X	X	X	X	X	X	X
06	353247	LIGHT LEAD WIRE RETAINER	X	X	X	X	X	X	X	X
07	988076-001	LAMP (120V)	X	X	X	X	X	X	X	X
07	988076-003	LAMP (220V)	X	X	X	X	X	X	X	X
07	988076-005	LAMP (240V)	X	X	X	X	X	X	X	X
08	354592-451	LIGHT SOCKET MOUNTING SCREW	X	X	X	X	X	X	X	X
09	113372-451	MOTOR GUIDE PIN MOUNTING BRACKET SCREW	X	X	X	X	X	X	X	X
10	446470	MOTOR GUIDE PIN MOUNTING BRACKET ASSEMBLY	X	X	X	X	X	X	X	X
11	313470-452	MOTOR GUIDE PIN MOUNTING BRACKET SCREW NUT	X	X	X	X	X	X	X	X
12	446473	MOTOR BELT TENSION SPRING	X	X	X	X	X	X	X	X
13	446475	MOTOR GUIDE PIN BUSHING	X	X	X	X	X	X	X	X
14	605087-001	HEAT SHIELD (FOR EUROPE)	X	X	X	X	X	X	X	X
15	179901	LIGHT SHIELD (WITHOUT GRAPHICS)	X	X	X	X	X	X	X	X
15	179910-451	LIGHT SHIELD (WITH GRAPHICS) (FOR USA/CANADA)	X	X	X	X	X	X	X	X
16		REFER ON CHARTS ON FOLLONING PAGES								
17		REFER ON CHARTS ON FOLLONING PAGES								
18		REFER ON CHARTS ON FOLLONING PAGES								
19	605600-004	TYE-RAP	X	X	X	X	X	X	X	X
20		REFER ON CHARTS ON FOLLONING PAGES								
21	445765	LIGHT LEAD RETAINING WASHER	X	X	X	X	X	X	X	X
22	603907-001	MOTOR MODULE NUT	X	X	X	X	X	X	X	X
23	988761-001	MOTOR PULLEY	X	X	X	X	X	X	X	X
24	113370-451	MOTOR MOUNTING PLATE SCREW	X	X	X	X	X	X	X	X
25	446476	MOTOR MOUNTING PLATE	X	X	X	X	X	X	X	X
26	353355	MOTOR MOUNTING PLATE GROMMET	X	X	X	X	X	X	X	X
27	446479	MOTOR MOUNTING PLATE ASSEMBLY	X	X	X	X	X	X	X	X
28	988887-001	MOTOR BELT SCREW CAP	X	X	X	X	X	X	X	X
29	113343-451	MOTOR BELT SCREW	X	X	X	X	X	X	X	X
30	179887	MOTOR BELT SCREW NUT	X	X	X	X	X	X	X	X
31	445539	MOTOR ADJUSTING SCREW LOCK NUT WASHER	X	X	X	X	X	X	X	X
32	353402-451	MOTOR ADJUSTING SCREW LOCK NUT	X	X	X	X	X	X	X	X
33		REFER ON CHARTS ON FOLLONING PAGES								
34	353518-001	MOTOR BELT	X	X	X	X	X	X	X	X
35		REFER ON CHARTS ON FOLLONING PAGES								
36		REFER ON CHARTS ON FOLLONING PAGES								



ELECTRICAL EQUIPMENT

REF.	1 SPEED UNSURPRESSED -----	CANADA &	AUSTRALIA	U.K.	U.K.
		U.S	(240V)	W/o PLUG (240V)	W/ PLUG (240V)
		(120V) -----			
3	LIGHT COMP. (ALT.)	605488-023			
16	LIGHT SOCKET	362160-002			
17	MOTOR COMPLETE	362175-001			
18	SERIES MOTOR MODULE	988752-008			
20	COMMUTATOR END	988760-002			
33	LIGHT RECEPT. HARNESS	988764-002			
35	CONTROLLER	362095-001			
36	SWITCH HARNESS	988763-002			
	1 SPEED SURPRESSED -----				
3	LIGHT COMP.		605488-025	605488-021	605488-021
16	LIGHT SOCKER (ALT.)		-----	-----	-----
17	MOTOR COMPLETE		362175-003	362175-007	362175-007
18	SERIES MOTOR MODULE		988752-009	988752-009	988752-009
20	COMMUTATOR END		988760-002	988760-002	988760-002
33	LIGHT RECEPT. HARNESS		988768-003	988768-002	988768-002
35	CONTROLLER		362095-010	362095-002	362095-015
36	SWITCH HARNESS		988763-004	988763-004	988763-004

ELECTRICAL EQUIPMENT

		ASIA & AMEDO & SOUTH AMERICA	ASIA & AMEDO & SOUTH AMERICA	ASIA & AMEDO & SOUTH AMERICA	ASIA & AMEDO & SOUTH AMERICA
REF.	1 SPEED UNSURPRESSED	FLAT BLADE (120V)	FLAT BLADE (220V)	ROUND PIN (120V)	ROUND PIN (220V)
	-----	-----	-----	-----	-----
3	LIGHT COMP. (ALT.)	605488-023	605488-023	605488-023	605488-023
16	LIGHT SOCKET	362001-007	362001-007	362001-007	362001-007
17	MOTOR COMPLETE	362175-009	362175-010	362175-009	362175-010
18	SERIES MOTOR MODULE	362207-003	362207-004	362207-003	362207-004
20	COMMUTATOR END	988760-002	988760-002	988760-002	988760-002
33	LIGHT RECEPT. HARNESS	988764-003	988764-003	988764-003	988764-003
35	CONTROLLER	362095-007	362095-008	362095-005	362095-006
36	SWITCH HARNESS	988763-001	988763-001	988763-001	988763-001

ELECTRICAL EQUIPMENT

REF.		EUROPE & SOUTH AFRICA			
		GERMANY	AFRICA	EUROPE	EUROPE
	1 SPEED UNSURPRESSED	TWO ROUND PIN (230V)	TWO ROUND PIN (220V)	TWO ROUND PIN (240V)	TWO ROUND PIN (230V)
3	LIGHT COMP. (ALT.)				
16	LIGHT SOCKET				
17	MOTOR COMPLETE				
18	SERIES MOTOR MODULE				
20	COMMUTATOR END				
33	LIGHT RECEPT. HARNESS				
35	CONTROLLER				
36	SWITCH HARNESS				
	1 SPEED SURPRESSED				
3	LIGHT COMP.	605488-021	605488-021	605488-021	605488-021
16	LIGHT SOCKER (ALT.)	----	----	----	----
17	MOTOR COMPLETE	362175-006	362175-008	362175-007	362175-002
18	SERIES MOTOR MODULE	988752-009	988752-009	988752-009	988752-009
20	COMMUTATOR END	988760-002	988760-002	988760-002	988760-002
33	LIGHT RECEPT. HARNESS	988768-002	988768-002	988768-002	988768-002
35	CONTROLLER	362095-016	362095-002	362095-002	362095-002
36	SWITCH HARNESS	988763-004	988763-004	988763-004	988763-004

PART LIST  
ELECTRICAL EQUIPMENT  
(JAPAN ONLY)

REF.	PART NBR	DESCRIPTION	4	4	4	4	4	4	4	4
			8	8	8	8	8	8	8	8
			1	1	1	2	2	2	2	3
			4	7	8	0	2	4	6	8
01	353411	LIGHT LEAD RETAINING CLIP	X	X	X	X	X	X	X	X
02	113455-009	LIGHT LEAD RETAINING CLIP MOUNTING SCREW	X	X	X	X	X	X	X	X
03	979148-002	LIGHT COMPLETE	X	X	X	X	X	X	X	X
04	979146-001	LIGHT SOCKET BRACKET	X	X	X	X	X	X	X	X
05	354592-451	LIGHT SOCKET BRACKET SCREW	X	X	X	X	X	X	X	X
06	113455-001	LIGHT LEAD WIRE RETAINER MOUNTING SCREW	X	X	X	X	X	X	X	X
07	353247	LIGHT LEAD WIRE RETAINER	X	X	X	X	X	X	X	X
08	549887-003	LAMP	X	X	X	X	X	X	X	X
09	113372-451	MOTOR GUIDE PIN MOUNTING BRACKET SCREW	X	X	X	X	X	X	X	X
10	446470	MOTOR GUIDE PIN MOUNTING BRACKET ASSEMBLY	X	X	X	X	X	X	X	X
11	313470-452	MOTOR GUIDE PIN MOUNTING BRACKET SCREW NUT	X	X	X	X	X	X	X	X
12	446473	MOTOR BELT TENSION SPRING	X	X	X	X	X	X	X	X
13	446475	MOTOR GUIDE PIN BUSHING	X	X	X	X	X	X	X	X
14	179901	HEAT SHIELD (WITHOUT GRAPHICS)	X	X	X	X	X	X	X	X
15	988759-009	MOTOR COMPLETE	X	X	X	X	X	X	X	X
16	988752-005	SERIES MOTOR MODULE	X	X	X	X	X	X	X	X
17	988768-002	LIGHT RECEPTACLE HARNESS (SUPPRESSED) COMPLETE	X	X	X	X	X	X	X	X
18	605600-004	TY-RAP	X	X	X	X	X	X	X	X
19	988760-002	COMMUTATOR END COVER	X	X	X	X	X	X	X	X
20	445765	LIGHT LEAD RETAINING WASHER	X	X	X	X	X	X	X	X
21	603907-001	MOTOR MODULE NUT	X	X	X	X	X	X	X	X
22	988761-001	MOTOR PULLEY	X	X	X	X	X	X	X	X
23	988763-003	SWITCH WITH CONNECTOR & CONTACT LEADS	X	X	X	X	X	X	X	X
24	113370-451	MOTOR MOUNTING PLATE SCREW	X	X	X	X	X	X	X	X
25	446476	MOTOR MOUNTING PLATE	X	X	X	X	X	X	X	X
26	353355	MOTOR MOUNTING PLATE GROMMET	X	X	X	X	X	X	X	X
27	446479	MOTOR MOUNTING PLATE ASSEMBLY	X	X	X	X	X	X	X	X
28	353402-451	MOTOR MOUNTING SCREW LOCK NUT	X	X	X	X	X	X	X	X
29	445539	MOTOR MOUNTING SCREW LOCK NUT WASHER	X	X	X	X	X	X	X	X
30	179887	MOTOR BELT SCREW NUT	X	X	X	X	X	X	X	X
31	113343-451	MOTOR BELT SCREW	X	X	X	X	X	X	X	X
32	988887-001	MOTOR BELT SCREW CAP	X	X	X	X	X	X	X	X
33	353518-001	MOTOR BELT	X	X	X	X	X	X	X	X
34	411837-001	CONTROLLER	X	X	X	X	X	X	X	X

ELECTRICAL EQUIPMENT (JAPAN ONLY)

