

INFORMATION
TECHNIQUE

SINGER S.A.V.

DESTINATAIRES

CONTROLE QUALITE

S.A.V.

MARKETING

MAGASINS

FRANCHISE

PRESTATAIRES

DATE 4 - JAN. 2001

N° MATERIEL CONCERNE :

MACHINE A COUDRE ZS 3825

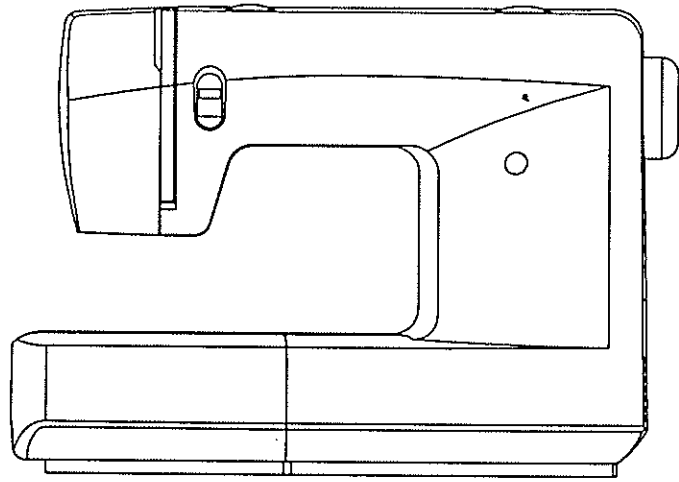
Ci-joint, la vue éclatée de la machine à coudre ZS 3825

Modules de Points.

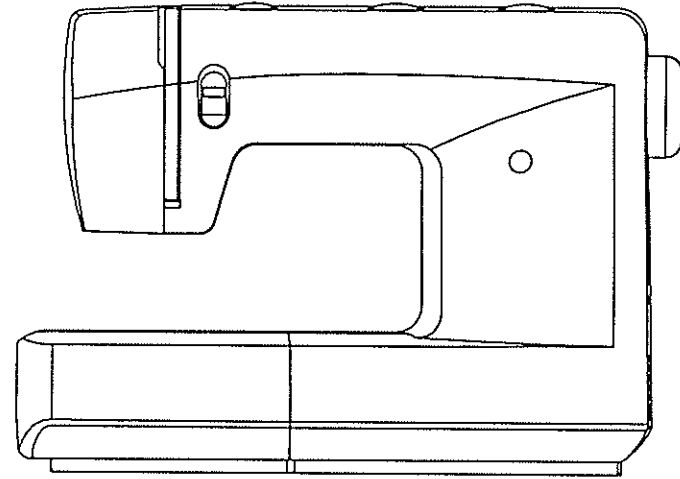
| Désignation Machine | Référence | Désignation Module. |
|---------------------|--------------|---------------------|
| Madam 1 (3825). | 27E4A0014000 | 3825 MODULE |
| Madam 2 (3820). | 27E3B0014000 | Madam 2 MOD. |
| Miss (3810) | 27E1B0014000 | Miss Module |
| Marie claire idée | 27E3A0016000 | NCI MODULE |

Nymphée 3815 A.1

27E2A0014000



MODEL:3810

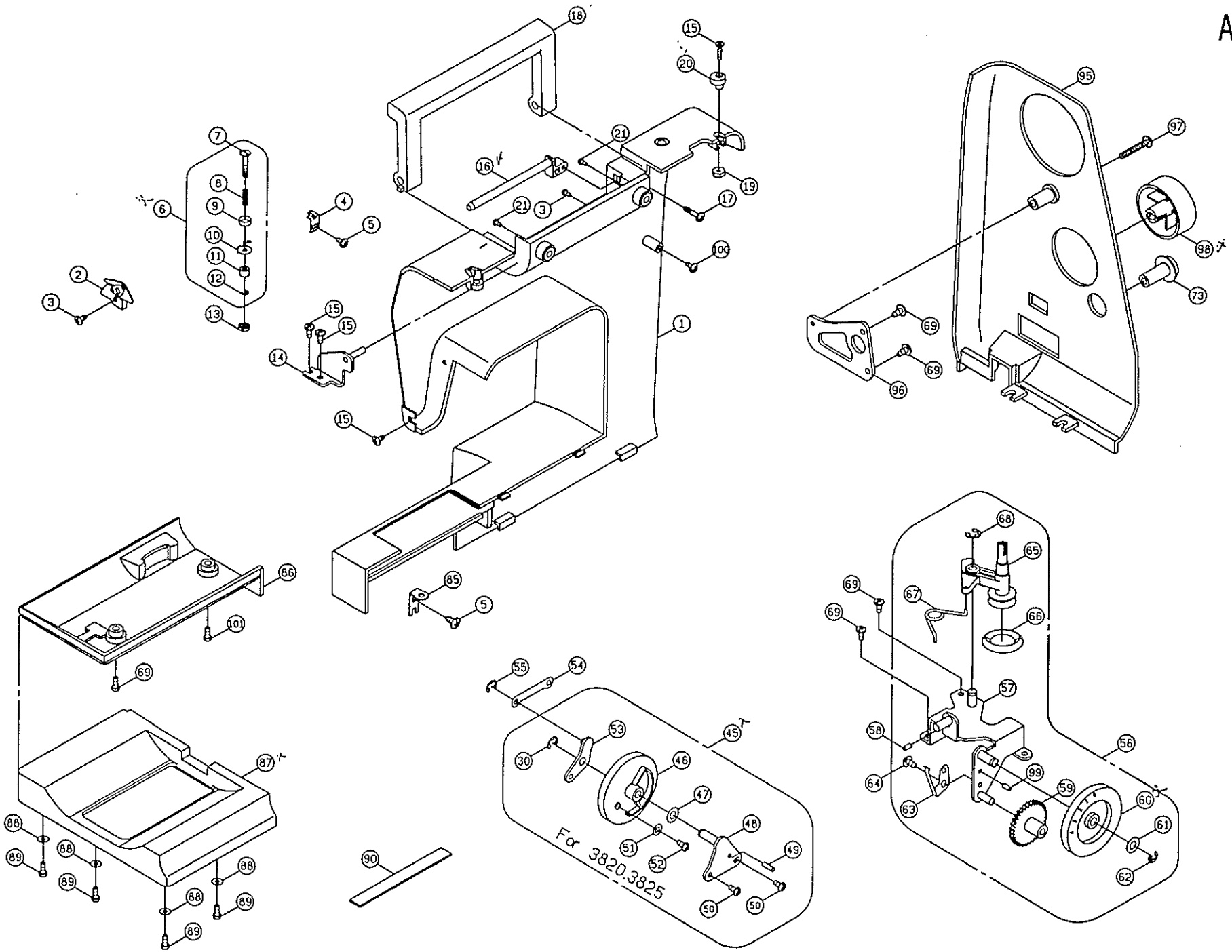


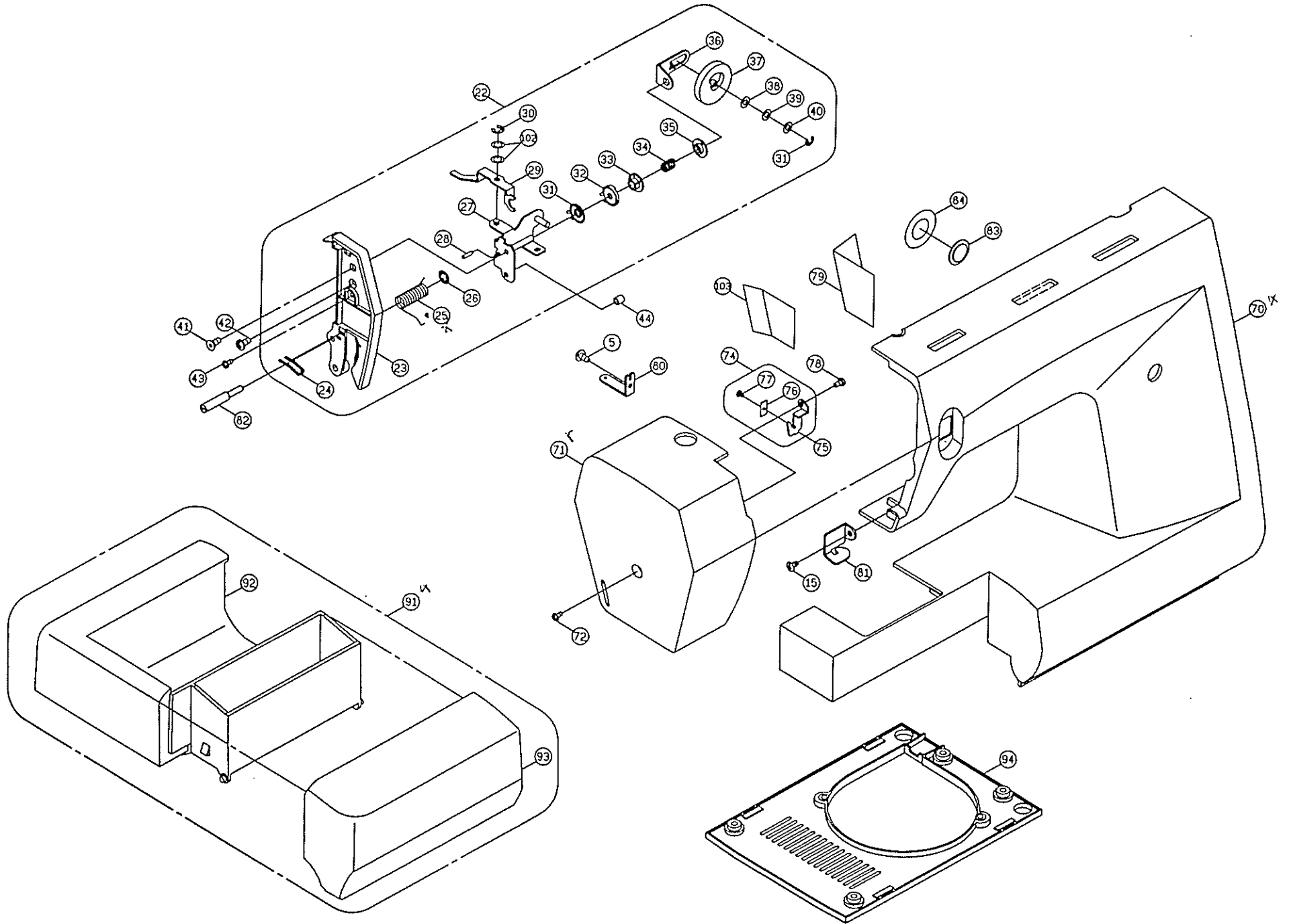
MODEL:3820.3825

Parts List

SINGER®

Model 3810/3820/3825



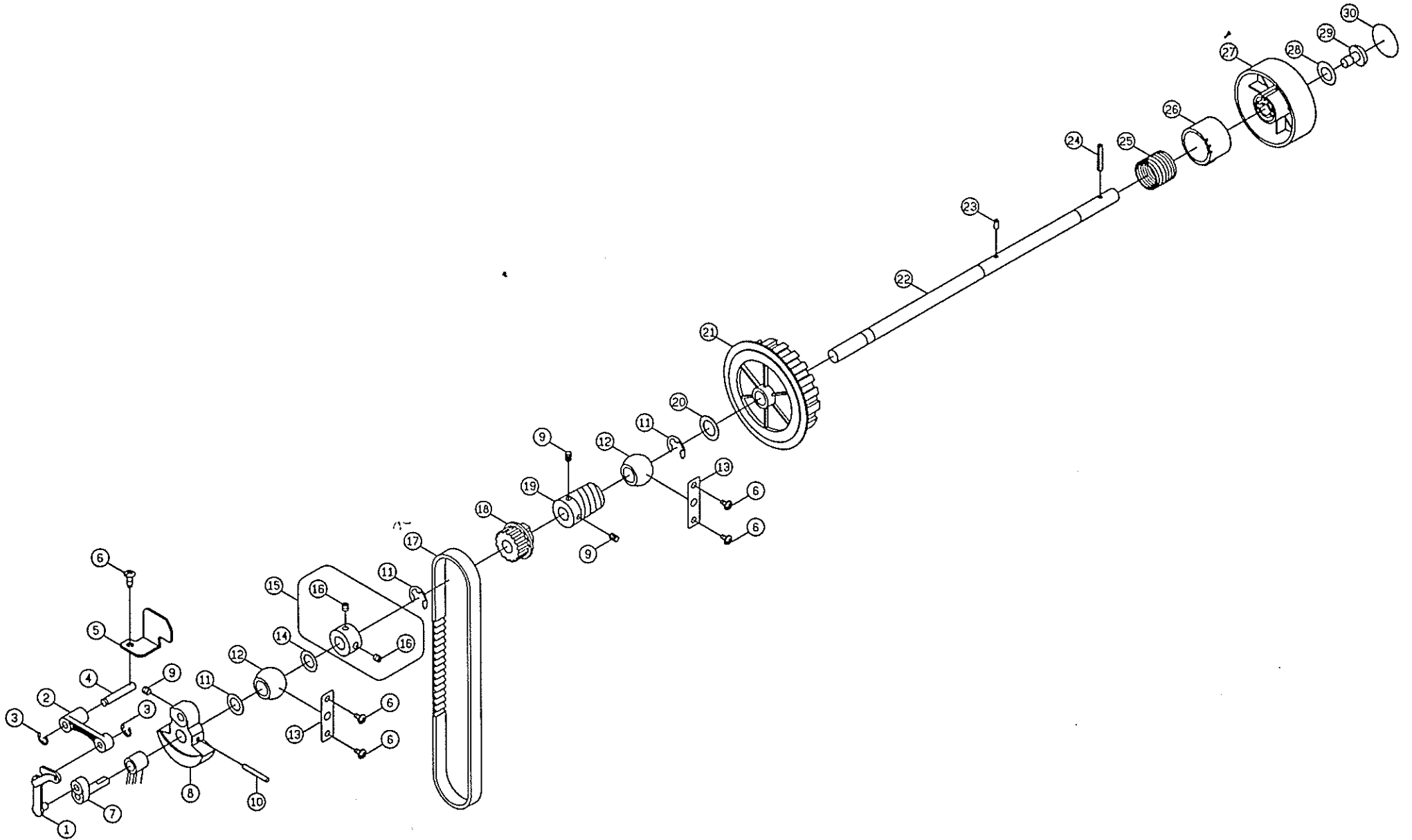


| No. | Part No. | Description |
|-----|-------------|--|
| 1 | E1B6003210 | Back cover |
| 2 | V610155000 | Thread guide complete |
| 3 | 004230326 | Set screw (M3x12) |
| 4 | E1A2043001 | Thread guide |
| 5 | 004230085 | Set screw (M3x6) |
| 6 | E1A2065000 | Bobbin winder thread guide complete |
| 7 | E1A2053001* | Bobbin winder thread guide adjusting screw |
| 8 | H13153001* | Bobbin winder thread guide spring |
| 9 | H13133001* | Bobbin winder spring disc |
| 10 | V610223001* | Bobbin winder thread guide |
| 11 | E1A2353006* | spacer |
| 12 | 003010033* | E-Ring (ETW-3) |
| 13 | 004840106 | Nut (ALN-4) |
| 14 | V61253006 | Arm top cover plate |
| 15 | 004240106 | Set screw (M4x8 A) |
| 16 | E1A1663210 | Spool rod |
| 17 | 004230655 | Set screw (M3x15) |
| 18 | E1A1763210 | Handle |
| 19 | 004706013 | Nut (9/64x40 t=3) |
| 20 | E1A2393000 | Bobbin winder stopper |
| 21 | 004240186 | Set screw (M4x15 B) |
| 22 | E4B0104210 | Dial tension complete |
| 23 | E4B0033210 | Dial tension supporter plate cover |
| 24 | V61873000* | Thread guide |
| 25 | E1A2073000 | Thread guide spring (CSTW-4.5) |
| 26 | 003020453* | Thread guide spring washer |
| 27 | E1A2183006 | Dial tension supporter plate |
| 28 | 003043010* | Spring pin (φ3x10x0.6) |
| 29 | E1A2113003* | Dial tension waft plate |
| 30 | 003010043* | E-Ring (E-4) |
| 31 | E1A2333001* | Dial tension disc |
| 32 | J30423001* | Dial tension disc (1) |
| 33 | R10593000* | Dial tension spring regulator |
| 34 | K50183003* | Dial tension spring |
| 35 | K50193000* | Dial tension regulator |

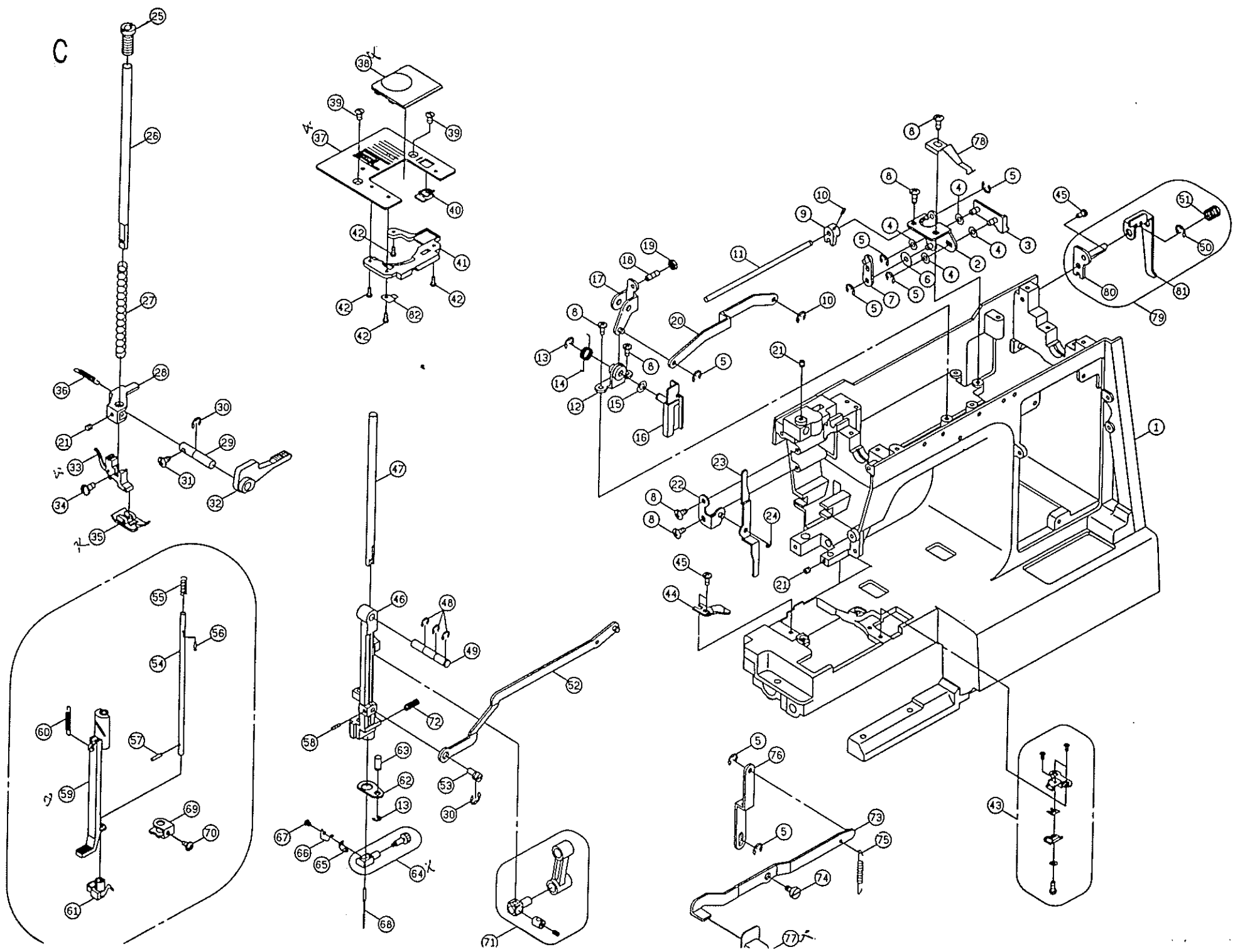
| No. | Part No. | Description |
|-----|-------------|--------------------------------|
| 37 | E4A0063210 | Dial tension knob |
| 38 | 004300713* | Washer (5.2x10x0.2) |
| 39 | 004500360* | Washer (WW-5) |
| 40 | 004300643* | Washer (5.2x10x0.5) |
| 41 | 004240286* | Set screw (M4x13B) |
| 42 | 004240176* | Set screw (M4x6D) |
| 43 | 004240146* | Set screw (M4x15B) |
| 44 | H11103001* | Dial tension guide spring tube |
| 45 | E4B8794210 | Zig zag width dial complete |
| 46 | E4B8793210* | Zig zag width dial(3825) |
| 47 | 004900063* | Washer |
| 48 | E3A0113006* | Zig zag width dial plate |
| 49 | 003043010* | Spring pin(φ3X10) |
| 50 | 004240056* | Set screw(M4x6 B) |
| 51 | 004300076* | Washer(4.2x9x0.5) |
| 52 | 004240782* | Set screw(M4x10 B) |
| 53 | E3A0143006* | Zig zag width crank |
| 54 | E3A0153003* | Zig zag width crank rod |
| 55 | 003010036* | E-Ring (E-4) |
| 56 | E4B8284210 | Bobbin winder frame complete |
| 57 | E1A1785000* | Bobbin winder frame |
| 58 | 003043006* | Spring pin (03x6) |
| 59 | V61183000* | Feed regulator gear |
| 60 | E1B8283210* | Feed regulator dial(3810) |
| 60 | E4B8293210 | Feed regulator dial(3825) |
| 61 | 004300186* | Washer (6.2x12x0.5) |
| 62 | 003010046* | E-Ring (ETW-4) |
| 63 | EAA0203003* | Feed regulator set plate |
| 64 | 004240676* | Set screw(M4x5) |
| 65 | V61165000* | Bobbin winder crank complete |
| 66 | F20213000* | Bobbin winder rubber pulley |
| 67 | V61563003* | Bobbin winder crank spring |
| 68 | 003010053* | E-Ring (ETW-5) |
| 69 | 004240286* | Set screw (M4x13B) |
| 70 | E1B0023210 | Front cover(3810) |

| No. | Part No. | Description |
|-----|-------------|----------------------------------|
| 70 | E3B0023210 | Front cover(3820) |
| 70 | E4B0093210 | Front cover(3825) |
| 71 | E1B0033210 | Face plate |
| 72 | 004240782 | Set screw (M4x12) |
| 73 | E1A1703210 | Adjusting dial |
| 74 | E1A1995000 | Thread cutter complete |
| 75 | E1A1993001* | Thread cutter plate |
| 76 | J31283000* | Thread cutter |
| 77 | 004220012* | Set screw (M2x4) |
| 78 | 004230126 | Set screw (M3x8B) |
| 79 | K81753000 | Heat resistant plate |
| 80 | E1A1623002 | Arm front cover set plate |
| 81 | E1A1883001 | Arm top cover thread guide plate |
| 82 | 004240982 | Set screw |
| 83 | F30103000 | Pattern display window |
| 84 | 008465000 | Sticker |
| 85 | E1A1673002 | Arm back cover set plate |
| 86 | E3A0203210 | Free arm base |
| 87 | E1A1753210 | Free arm foot bush |
| 88 | 004300136 | Washer (4.2x8x0.8) |
| 89 | 00423066 | Set screw (M3x12) |
| 90 | E1A1843000 | Sewing table body felt |
| 91 | E4B0044210 | Sewing table complete |
| 92 | E1A1823210 | Sewing table body |
| 93 | E4B0043210 | Sewing table body cover |
| 94 | E1A1863210 | Cord reel cover |
| 95 | E1A6013210 | Motor drive belt cover |
| 96 | E1A1723003 | Motor drive belt cover frame |
| 97 | 004241106 | Set screw (M4x25A) |
| 98 | E4A0053210 | Selector dial |
| 99 | 003043006 | Pin (SP3x6 3820.3825) |
| 99 | 003043008 | Pin (SP3x8 3810) |
| 100 | 004240306 | Set screw (M4x10D) |
| 101 | 004240136 | Set screw (M4x12B) |
| 102 | 004300873 | Washer (5x8x0.5) |

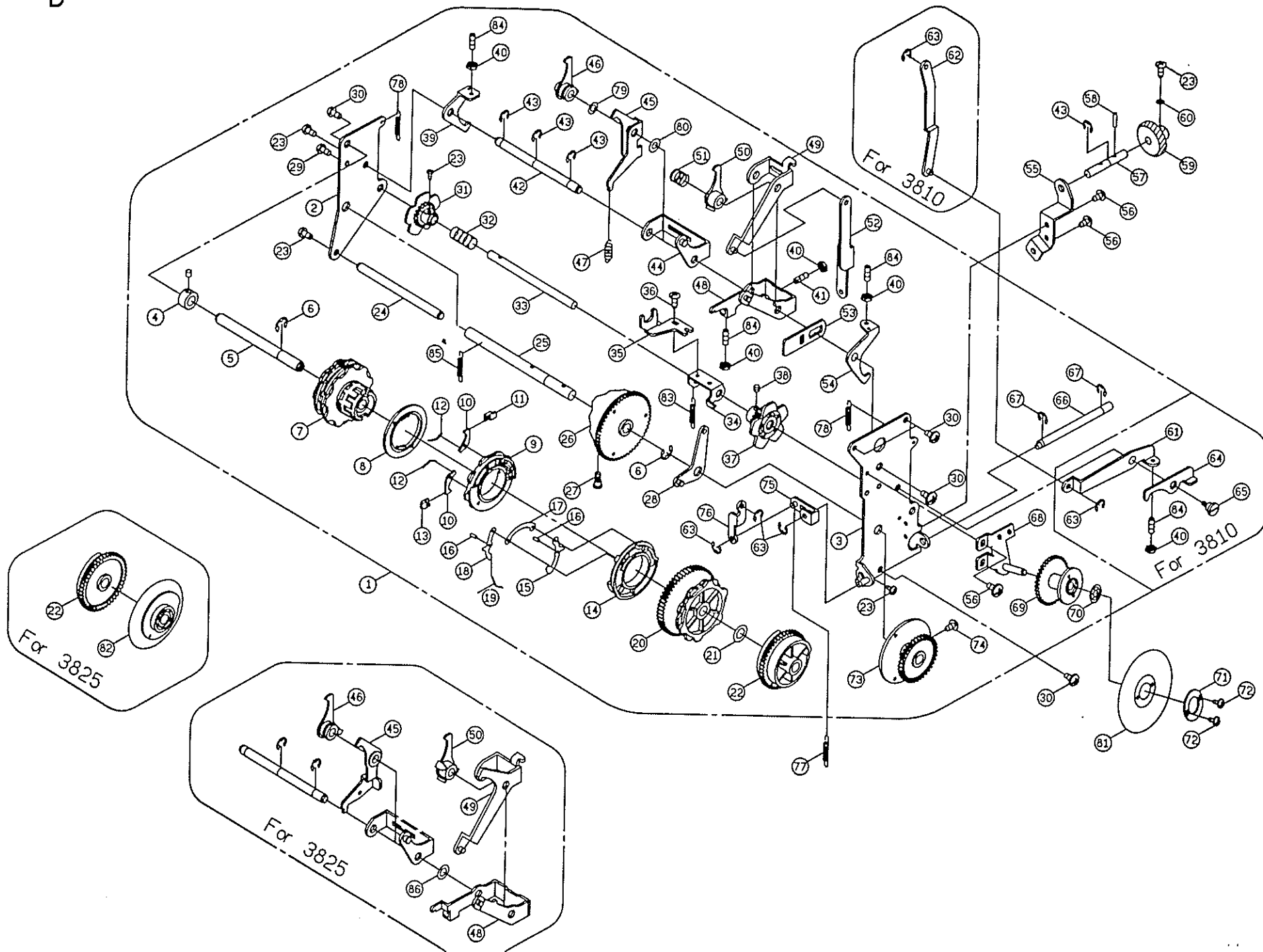
B



| No. | Part No. | Description |
|------|------------|--|
| 1 | V60213001 | Thread take up lever |
| 2 | V10523000 | Thread take up lever supporter |
| 3 | 003010043 | E-Ring (ETW-4) |
| 4 | V60223003 | Thread take up lever supporter shaft |
| 5 | E1A2313003 | Set washer |
| 6 | 004240106 | Set screw (M4x8 A) |
| 7 | V10543000* | Arm shaft balance pin |
| 8 | E1A2213000 | Arm shaft balance |
| 9 | 004240223 | Set screw (M4x6) |
| 10 | 003043524 | Arm shaft balance pin (ϕ 3.5x24) |
| 11 | 003010093 | E-Ring(ETW-9) |
| 12 | R10293000 | Arm shaft bushing |
| 13 | V60113003 | Arm shaft bushing holder plate |
| 14 | 004400080 | Endure attrition washer (10.2x16x0.5) |
| 15 | R10304000 | Arm shaft collar complete |
| 16 | 004250203 | Set screw (M5x5) |
| x 17 | E1A0083000 | Motor drive belt |
| 18 | E1A0053000 | Arm shaft sprocket |
| 19 | E1A0065000 | Arm shaft worm complete |
| 20 | 004300853 | Washer (10.2x15x0.5) |
| 21 | V60103000 | Arm shaft drive belt pulley |
| 22 | E1A0044000 | Arm shaft |
| 23 | 003043014 | Spring pin (ϕ 3x14) |
| 24 | 003043018 | Spring pin (ϕ 3x18) |
| 25 | R10393003 | Arm shaft clutch annulus spring |
| 26 | R10403000 | Arm shaft collar |
| u 27 | E1A0073210 | Hand wheel |
| 28 | 004300586 | Hand wheel washer (5.2x16x1.0) |
| 29 | 004250086 | Set screw (M5x12) |
| 30 | V16893210 | Hand wheel decorated plate |
| | | |
| | | |



D

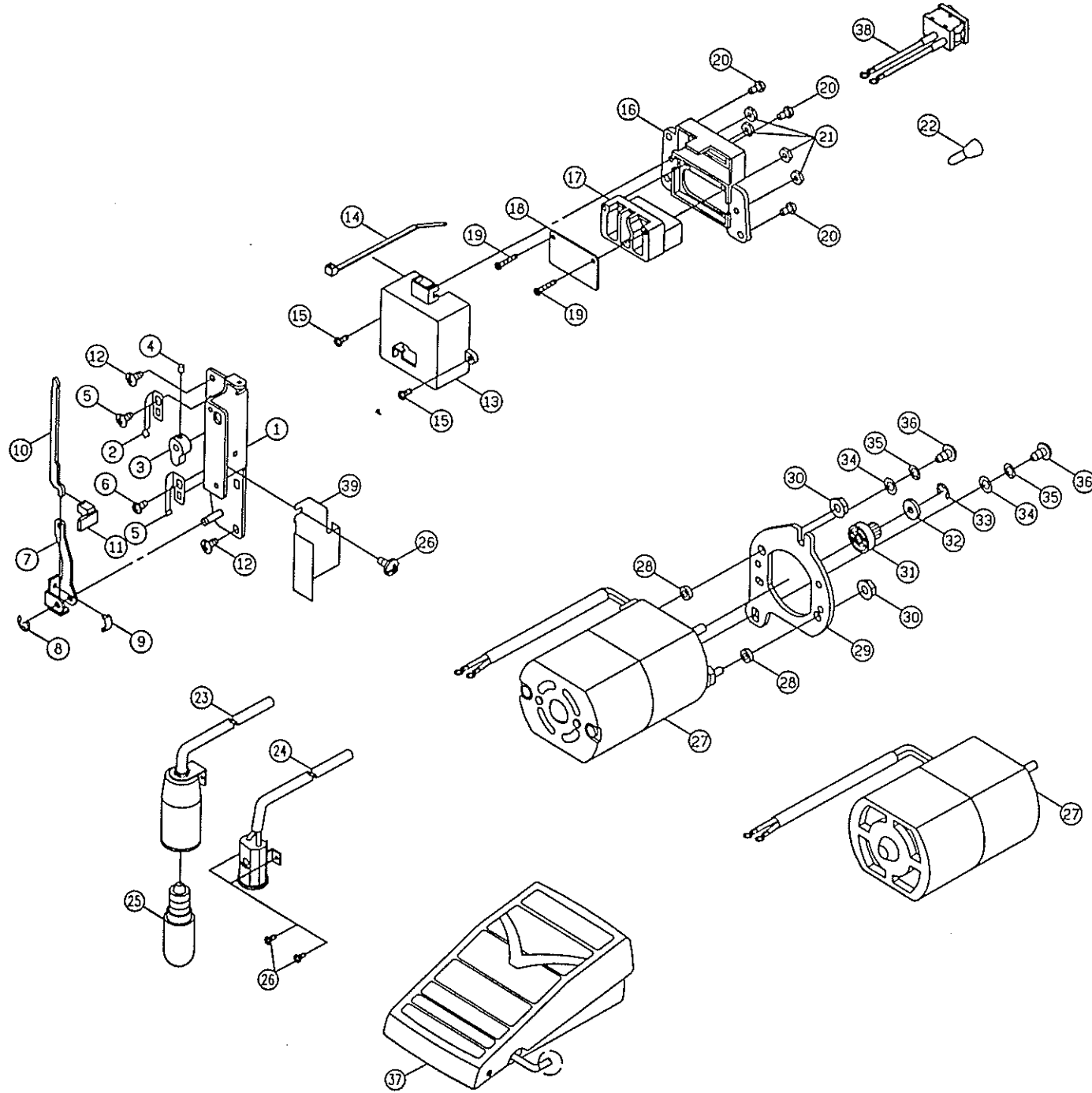


| No. | Part No. | Description |
|-----|------------|---------------------------------------|
| 1 | E1B0014000 | Pattern cam contact complete(3810) |
| 1 | E3B0014000 | Pattern cam contact complete(3820) |
| 1 | E4B0084000 | Pattern cam contact complete(3825) |
| 2 | E1A0673003 | Pattern cam contact plate (back) |
| 3 | E1A0653003 | Pattern cam contact plate (front) |
| 4 | H11935000 | Pattern cam shaft collar complete |
| 5 | E1A0683003 | Pattern cam shaft |
| 6 | 003010063 | E-RING(ETW-6) |
| 7 | E1A0713000 | Pattern cam(3810) |
| 7 | E3A0063000 | Pattern cam(3820) |
| 7 | E4A0023000 | Pattern cam(3825) |
| 8 | E1A0833000 | Straight stitch cam |
| 9 | E1A0783000 | BH cam |
| 10 | E1A0793002 | BH contact |
| 11 | E1A0813000 | BH slide block B |
| 12 | E1A0823000 | BH contact spring plate |
| 13 | E1A0803000 | BH slide block A |
| 14 | E1A0723000 | BH feed regulator cam |
| 15 | E1A0743002 | BH clutch contact A |
| 16 | E1A0733000 | BH clutch shaft |
| 17 | E1A0763002 | BH clutch lever |
| 18 | E1A0753002 | BH clutch contact B |
| 19 | E1A0773003 | BH clutch spring plate |
| 20 | E1A0703000 | SS cam(3810,3820) |
| 20 | EAA0043000 | SS cam(3825) |
| 21 | 004300863 | Washer(8.2x14x0.5) |
| 22 | E1A0693000 | Feed regulator cam(3810,3820) |
| 22 | EAA0033000 | Feed regulator cam(3825) |
| 23 | 004230286 | Set screw (M3x8 B) |
| 24 | E1A1003003 | Pattern cam contact supporter shaft |
| 25 | E1A1013003 | Pattern selector cam shaft(3810,3820) |
| 25 | EAA0183003 | Pattern selector cam shaft(3825) |
| 26 | E1A1023000 | Pattern selector cam(960A) |
| 26 | E3A0073000 | Pattern selector cam(980A) |
| 26 | E4A0043000 | Pattern selector cam(990A) |

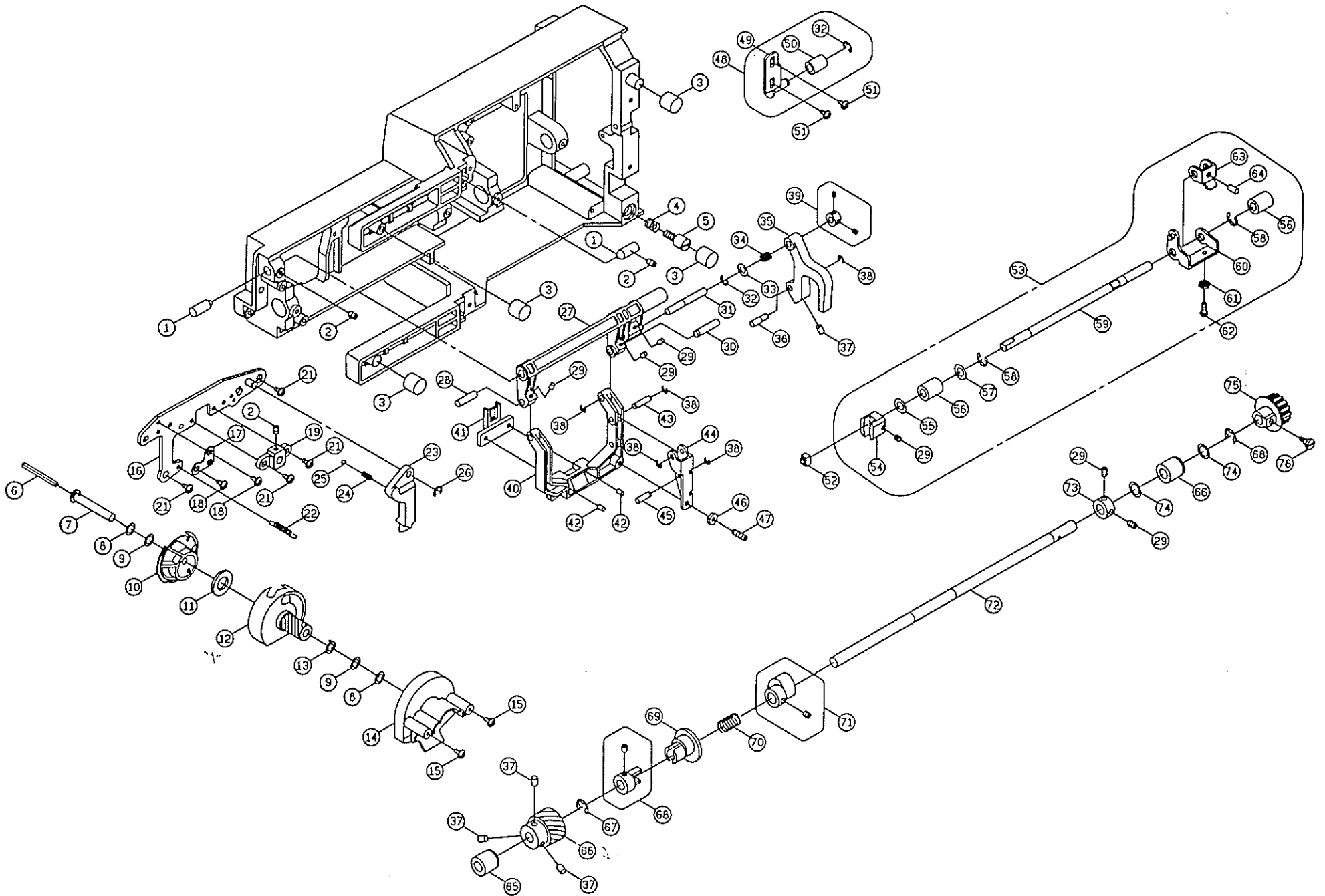
| No. | Part No. | Description |
|-----|------------|---|
| 27 | 004240423 | Set screw |
| 28 | E1A1033003 | Pattern selector adjusting lever |
| 29 | 004240046 | Set screw(M4x10 B) |
| 30 | 004240106 | Set screw (M4x8 A) |
| 31 | E1A1053000 | Zig zag cam |
| 31 | E3A0083000 | Zig zag cam(3820) |
| 32 | V10693003 | Zig zag width contact spring(3810,3820) |
| 33 | E1A1043000 | Pattern selector cam shaft |
| 34 | E1A1073006 | Zig zag movement contact |
| 35 | E1A1083003 | Movement plate |
| 36 | 004230016 | Set screw (M3x6 A) |
| 37 | E1A1093000 | Stretch stitch release(3810,3825) |
| 37 | E3A0093000 | Stretch stitch release(3820) |
| 38 | 004240503 | Set screw (M4x4) |
| 39 | E1A0893003 | Zig zag release plate |
| 40 | 004840106 | Set screw |
| 41 | 004240633 | Set screw(M4x12) |
| 42 | E1A0843000 | Zig zag cam contact supporter shaft |
| 43 | 003010056 | E-RING(ETW-5) |
| 44 | E1A0853003 | Zig zag cam contact supporter |
| 45 | E1A0963003 | BH Feed crank(3810,3820) |
| 45 | E4A0033003 | BH Feed crank(3825) |
| 46 | E1A0873003 | Zig zag cam contact(3810,3820) |
| 46 | EAA0063003 | Zig zag cam contact(3825) |
| 47 | E1A0973003 | BH Feed crank spring |
| 48 | E1A0953003 | BH adjusting crank(3810,3820) |
| 48 | EAA0093003 | BH adjusting crank(3825) |
| 49 | E1A0913003 | SS cam contact supporter(3810,3820) |
| 49 | EAA0073003 | SS cam contact supporter(3825) |
| 50 | E1A0923003 | SS cam contact(3810,3820) |
| 50 | EAA0083003 | SS cam contact(3825) |
| 51 | E1A0903003 | Zig zag release plate |
| 52 | E1A0943003 | Feed rock shaft |
| 53 | E1A0983003 | BH adjusting plate |
| 54 | E1A0993003 | Stretch stitch release(3825) |

| No. | Part No. | Description |
|-----|------------|-----------------------------------|
| 55 | E1A1253003 | Selector dial plate |
| 56 | 004240056 | Set screw (M4x6 B) |
| 57 | E1A1243006 | Selector dial shaft |
| 58 | 003042512 | Spring pin (φ2.5x12) |
| 59 | E1A1263000 | Selector gear |
| 60 | 006300673 | Washer (3.2x6.1x0.5) |
| 61 | E1A1143003 | Zig zag width crank |
| 62 | E1A1353003 | Zig zag width crank rod |
| 63 | 003010033 | E-RING(ETW-3) |
| 64 | E1A1153003 | Zig zag width selector plate |
| 65 | 004230613 | Set screw |
| 66 | E1A1113000 | Adjusting shaft |
| 67 | 003010043 | E-RING(ETW-4) |
| 68 | E4B0063003 | Pattern gear plate |
| 69 | E4B0053000 | Pattern gear |
| 70 | 003020043 | CS ring |
| 71 | E1A1213006 | Pattern selector plate |
| 72 | 004220076 | Set screw(M2x5) |
| 73 | E1A1173000 | Zig zag selector cam |
| 74 | 004020046 | Set screw (M4x10 B) |
| 75 | E1A1123003 | Rod |
| 76 | E1A1333000 | Zig zag width spring |
| 77 | M70093000 | Auto threaded lever spring(3810) |
| 78 | H70553003 | Spring |
| 79 | 004300333 | Washer(6.7x12x0.5) |
| 80 | 004300443 | Washer(6.7x14x0.2) |
| 81 | E1B8293210 | Pattern selector plate(3810) |
| 81 | E3B8293210 | Pattern selector plate(3820) |
| 81 | E4B8293210 | Pattern selector plate(3825) |
| 82 | EAA0023000 | Stretch stitch selector cam(3825) |
| 83 | M70093000 | Auto threaded lever spring(3825) |
| 84 | 004241093 | Set screw (M4x9) |
| 85 | E1A1223003 | Feed regulating crank spring |
| 86 | 004300833 | Washer(6.6x14x0.25) |

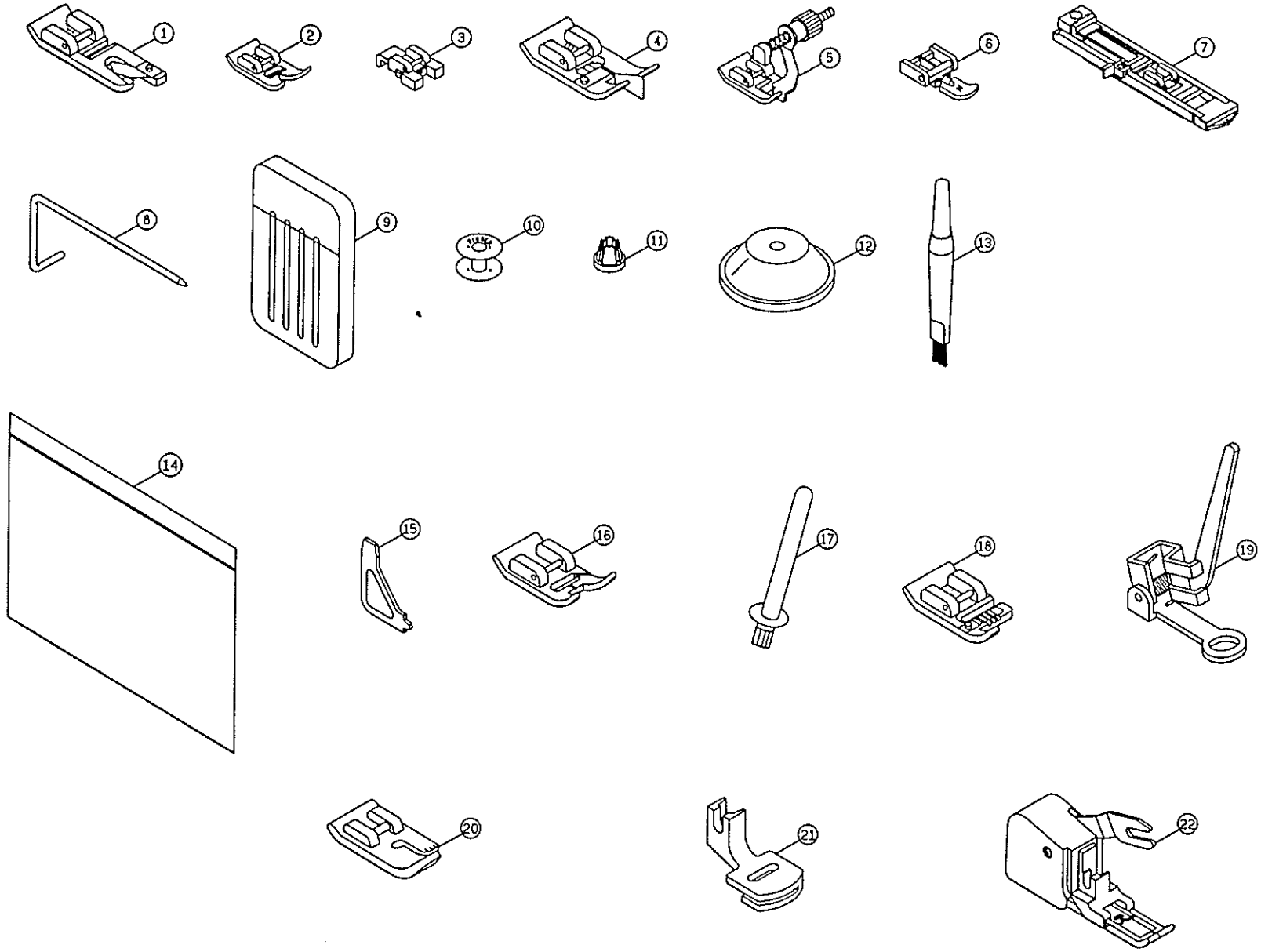
F



F



G



| No. | Part No. | Description |
|-----|------------|------------------------------|
| 1 | 006900008 | Hammer foot |
| 2 | 006918008 | Zig zag foot (No.H) |
| 3 | 006914008 | Button foot |
| 4 | 006907008 | Overcastting foot |
| 5 | 006904008 | Blind hem foot |
| 6 | 006905008 | Zipper foot |
| 7 | 006171008 | Buttonhole foot |
| 8 | 006915008 | Quilting bar |
| 9 | 006175008 | Needle |
| 10 | 006066008 | Bobbin |
| 11 | R12373210 | Spool set plate (Small) |
| 12 | TA10943209 | Spool set plate (Big) |
| 13 | 006099008 | Brush & Seam ripper complete |
| 14 | 006011009 | Accessories bag |
| 15 | 006093009 | L-screwdriver |
| 16 | 006172008 | Satin stitch foot |
| 17 | R60033210 | Second spool pin |
| 18 | 006813008 | Cording foot |
| 19 | 006016008 | Darning foot |
| 20 | 006916008 | Quilting foot |
| 21 | 006917008 | Gathering foot |
| 22 | 006173008 | Walking foot |
| | H 71185000 | Boite à canette |
| | | |
| | | |
| | | |
| | | |
| | | |
| | | |
| | | |
| | | |
| | | |

NOTE: When you order any spare parts from us, please cooperate with us by writing.

- (1) Section & Sequence No.
- (2) Name of parts
- (3) Voltage, if necessary
- (4) Others, if any
- (5) "*" means: These spare parts are not supplied individually, but can be obtained by minimum quantity at 300 pcs.