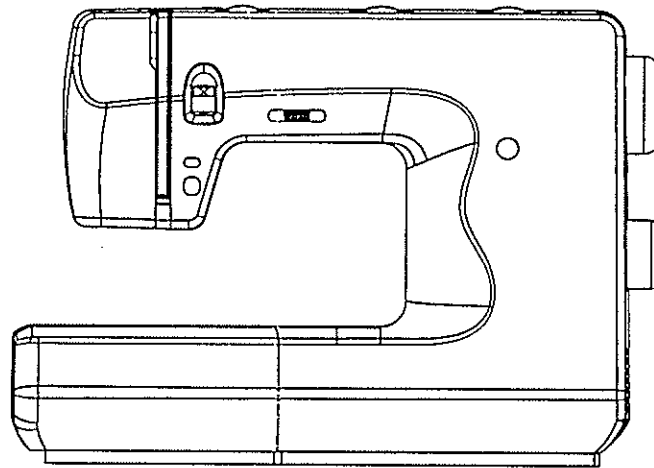


MARIE Claire Idec

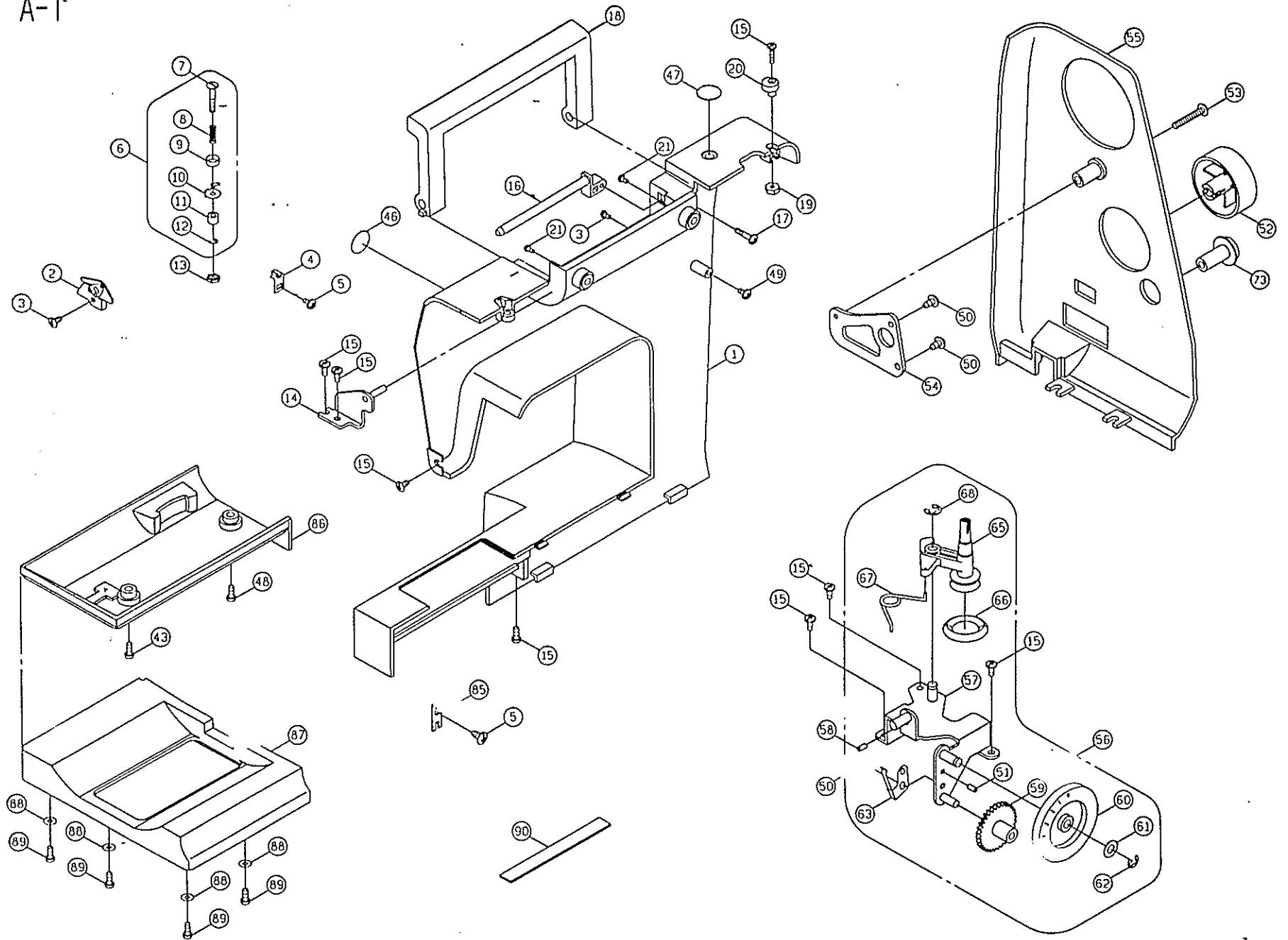
Parts List



SINGER®

Model 3709F

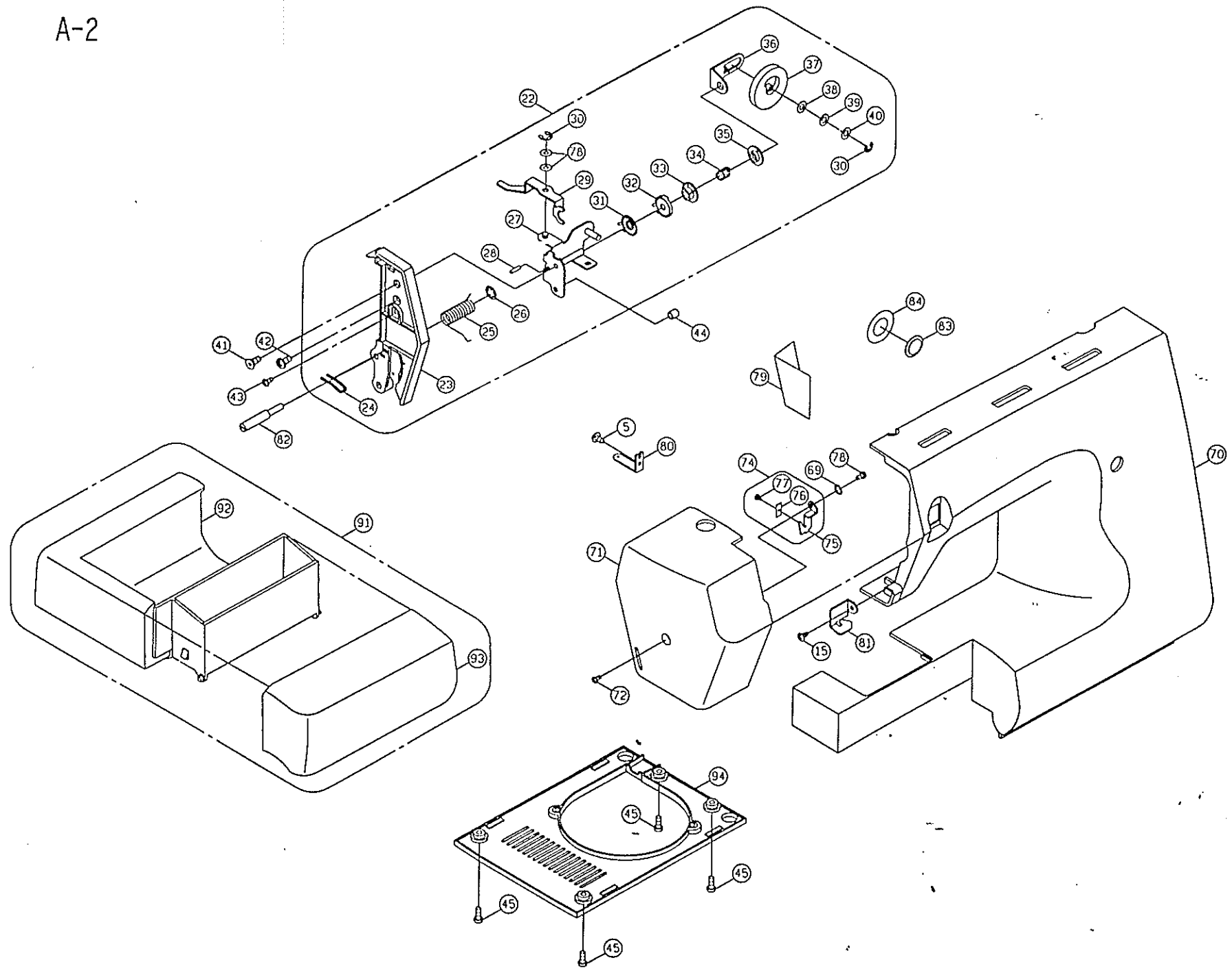
A-1



No.	Part No.	Description	中文名稱
1	ECC0043848	Back cover	上臂後蓋
2	V610155000	Thread guide complete	上線導板(組)
3	004230326	Set screw (M4×8)	螺絲(M4×8 自攻割尾)
4	E1A2043001	Thread guide	中間導板
5	004230215	Set screw (M3×6)	螺絲(M3×6 自攻割尾)
6	E1A2065000	Bobbin winder thread guide complete	捲線導板(組)
7	E1A2053001	Bobbin winder thread guide adjusting	捲線導板螺絲
8	H13153001	Bobbin winder thread guide spring	支持彈簧
9	H13133001	Bobbin winder spring disc	岩線彈簧座
10	V610223001	Bobbin winder thread guide	捲線導板
11	E1A2353006	Spacer	捲線導板襯套
12	003010036	E-Ring (ETW-3)	E型止輪(ETW-3)
13	004840106	Nut (ALN-4)	調整固定螺帽(ALN-4)
14	V61253006	Arm top cover plate	把手支板
15	004240106	Set screw (M4×8 A)	螺絲(M4×8 A大頭)
16	E1A1663848	Spool rod	線輪桿
17	004230655	Set screw (M3×15)	螺絲(M3×15 自攻割尾)
18	E1A1763848	Handle	把手
19	004706013	Nut (9/64×40 t=3)	螺帽(9/64×40 t=3)
20	E1A2393000	Bobbin winder stopper	捲線輪固定軸
21	004240186	Set screw (M4×15 B)	螺絲(M4×15B 自攻割尾)
22	ECC7794848	Dial tension complete	上系調節器本台蓋組
23	E4C0033848	Dial tension supporter plate cover	上系調節器本台蓋
24	V61873000	Thread guide	導線環
25	E1A2073000	Thread guide spring (CSTW-4.5)	上系彈簧
26	003020453	Thread guide spring washer	CS扣環(CSTW-4.5)
27	E1A2183006	Dial tension supporter plate	上系調節器本台
28	003043010	Spring pin (φ3×10×0.6)	彈簧銷(φ3×10×0.6)
29	E1A2113003	Dial tension waft plate	浮動板
30	003010043	E-Ring (ETW-4)	E型止輪(ETW-4)
31	E1A2333001	Dial tension disc	線調節盤系調子
32	J30423001	Dial tension disc (1)	上系調節器護線板(1)
33	R10593000	Dial tension spring regulator	上系調節器彈簧襯套
34	K50183003	Dial tension spring	上系調節器彈簧
35	K50193000	Dial tension regulator	上系調節器調整筒

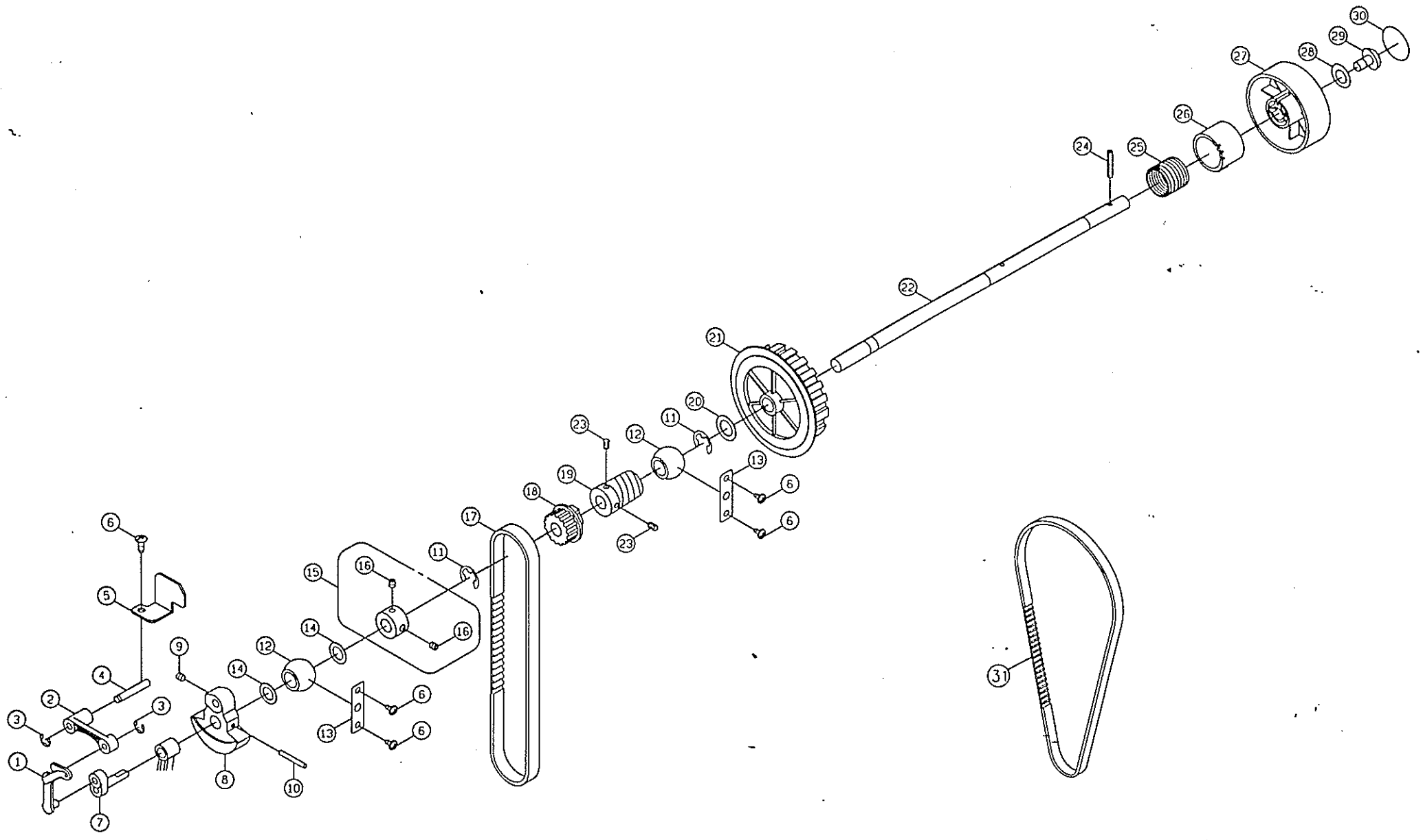
No.	Part No.	Description	中文名稱
36	V60273003	Dial tension spring plate	上系彈簧押板
37	ECC7793848	Dial tension knob	上系調節鈕
38	004300713	Washer (5.2×10×0.2)	墊圈(5.2×10×0.2)
39	004500360	Washer (WW-5)	波型墊圈(WW-5)
40	004300643	Washer (5.2×10×0.5)	墊圈(5.2×10×0.5)
41	004240176	Set screw (M4×6 D)	螺絲(M4×6 D 皿平)
42	004240286	Set screw (M4×13 B)	螺絲(M4×13 B小頭)
43	004240146	Set screw (M4×15 B)	螺絲(M4×15 B小頭)
44	H11103001	Dial tension guide spring tube	上系調節器墊環
45	004240046	Set screw (M4×10 B)	螺絲(M4×10 B小頭)
46	V61503848	Plate (1)	作業孔飾板(1)
47	V410123848	Plate	線輪桿蓋飾板
48	004240136	Set screw (M4×12 B)	螺絲(M4×12 B小頭)
49	004240306	Set screw (M4×10 B)	螺絲(M4×10 B 自攻割尾)
50	004240056	Set screw (M4×6 B)	螺絲(M4×6 B)
51	003043006	Pin (SP3×6)	彈簧銷(SP3×6)
52	E4A0053848	Selector dial	選擇轉鈕
53	004241106	Set screw (M4×25 A)	螺絲(M4×25 A小頭)
54	E1A1723003	Motor drive belt cover frame	後部蓋支持板
55	ECC6003848	Motor drive belt cover	後部蓋
56	ECC9284848	Bobbin winder frame complete	捲線器組
57	E1A1785000	Bobbin winder frame	捲線器台組
58	003043008	Spring pin (φ3×8×0.6)	彈簧銷(φ3×8×0.6)
59	V61183000	Feed regulator gear	縫目中間齒輪
60	ECC9283848	Feed regulator dial	縫目轉鈕
61	004300186	Washer (6.2×12×0.5)	墊圈(6.2×12×0.5)
62	003010046	E-Ring (ETW-4)	E型止輪(ETW-4)
63	EAA0203003	Feed regulator set plate	縫目定位板
64	004240676	Set screw (M4×5)	螺絲(M4×5)
65	V61165000	Bobbin winder crank complete	捲線器軸腕組
66	F20213000	Bobbin winder rubber pulley	捲線器軸輪
67	V61563003	Bobbin winder crank spring	捲線器軸腕彈簧
68	003011052	E-Ring (ETW-5)	E型止輪(ETW-5)
69	004300676	Washer (3.2×8×0.8)	墊圈(3.2×8×0.8)
70	ECC0033848	Front cover	上臂前蓋

A-2



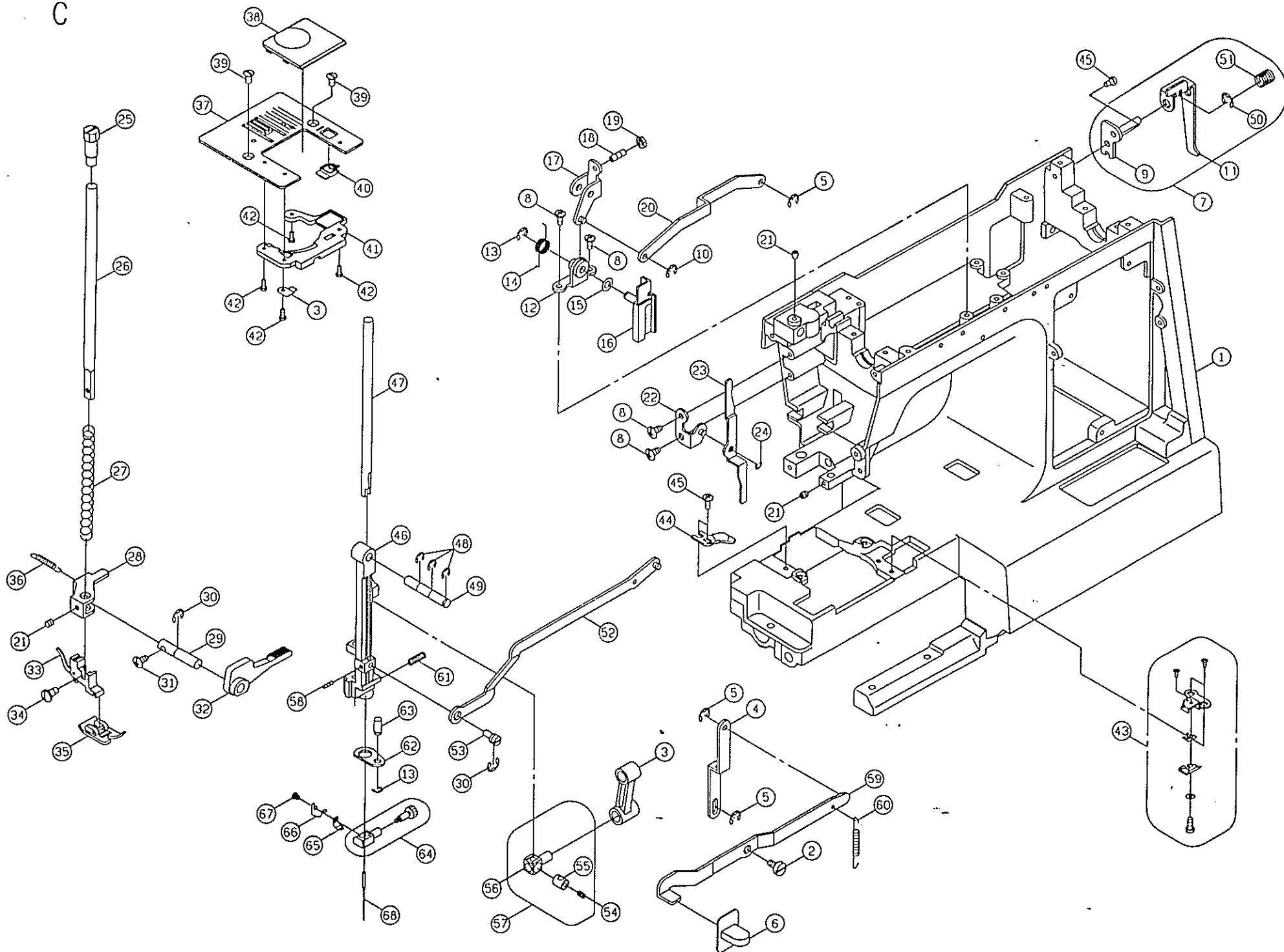
No.	Part No.	Description	中文名稱
71	ECC7193848	Face plate	面板
72	004240782	Set screw (M4×10 B)	螺絲(M4×10 B 小頭)
73	E1A1703848	Adjusting dial	微調轉鈕
74	E1A1995000	Thread cutter complete	切線器組
75	E1A1993001	Thread cutter plate	切線器板
76	J31283000	Thread cutter	自動切線器刀片
77	004220012	Set screw (M4×12)	螺絲(M4×12 傘頭)
78	004300873	Washer (5×8×0.5)	墊圈(5×8×0.5)
79	E1A2523000	Heat resistant plate	面板隔熱板
80	E1A1623002	Arm front cover set plate	前蓋固定板
81	E1A1883001	Arm top cover thread guide plate	上臂上線導向板
82	004240982	Set screw	段螺絲
83	F30103000	Pattern display window	模樣表示窗
84	008465000	Sticker	模樣指示窗黏貼板
85	E1A1673002	Arm back cover set plate	後蓋固定板
86	E3A0203848	Free arm base	底盤蓋
87	E1A1753848	Free arm foot bush	底盤腳蓋
88	004300136	Washer (4.2×8×0.8)	墊圈(4.2×8×0.8)
89	004230066	Set screw (M3×12)	螺絲(M3×12 自攻尖尾)
90	E1A1843000	Sewing table body felt	補助板防油墊
91	E4C0044848	Sewing table complete	補助板組
92	E1A1823848	Sewing table body	補助板
93	E4C0043848	Sewing table body cover	補助板蓋
94	E1A1863848	Cord reel cover	收線器蓋

B



No.	Part No.	Description	中文名稱
1	E1A2643001	Thread take up lever	挑線桿
2	E1A2653000	Thread take up lever supporter	挑線桿支體
3	003010036	E-Ring (ETW-3)	E 型止輪 (ETW-3)
4	V60223003	Thread take up lever supporter shaft	挑線桿支體軸
5	E1A2313003	Set washer	挑線桿支持軸壓板
6	004240106	Set screw (M4×8 A)	螺絲 (M4×8 A 大頭)
7	E1A2663000	Arm shaft balance pin	挑線桿 90° 銷組
8	E1A2213000	Arm shaft balance	挑線桿橫錘
9	004240223	Set screw (M4×6)	螺絲 (M4×6 內六角)
10	003043524	Arm shaft balance pin (φ3.5×24)	挑線桿橫錘銷 (φ3.5×24)
11	003010093	E-Ring (ETW-9)	E 型止輪 (ETW-9)
12	R10293000	Arm shaft bushing	上軸軸承
13	E1A2623003	Arm shaft bushing holder plate	上軸軸承押板
14	004400080	Endure attrition washer	耐磨墊圈
15	R10304000	Arm shaft collar complete	上軸止環組
16	004250203	Set screw (M5×5)	螺絲 (M5×5 內六角)
17	E1A0083000	Motor drive belt	正時皮帶
18	F4A0033000	Arm shaft sprocket	上軸皮帶輪
19	E1A0065000	Arm shaft worm complete	上軸蝸輪組
20	004300853	Washer (10.2×15×0.5)	墊圈 (10.2×15×0.5)
21	E4A0143210	Arm shaft drive belt pulley	上軸驅動皮帶輪
22	E1A0044000	Arm shaft	上軸
23	004107283	Set screw (11/64×40×5)	內六角螺絲 (11/64×40×5)
24	003043018	Spring pin (φ3×18)	彈簧銷 (φ3×18)
25	R10393000	Arm shaft clutch annulus spring	離合彈簧
26	R10403000	Arm shaft collar	上軸離合止環
27	E1A0073848	Hand wheel	飛輪
28	004300586	Hand wheel washer (5.2×16×1.0)	飛輪墊圈 (5.2×16×1.0)
29	004250346	Set screw (M5×10)	螺絲 (M5×10 傘頭)
30	V16893848	Hand wheel decorated plate	飛輪飾板
31	007163471	Motor drive belt (163XXL6.1)	馬達皮帶

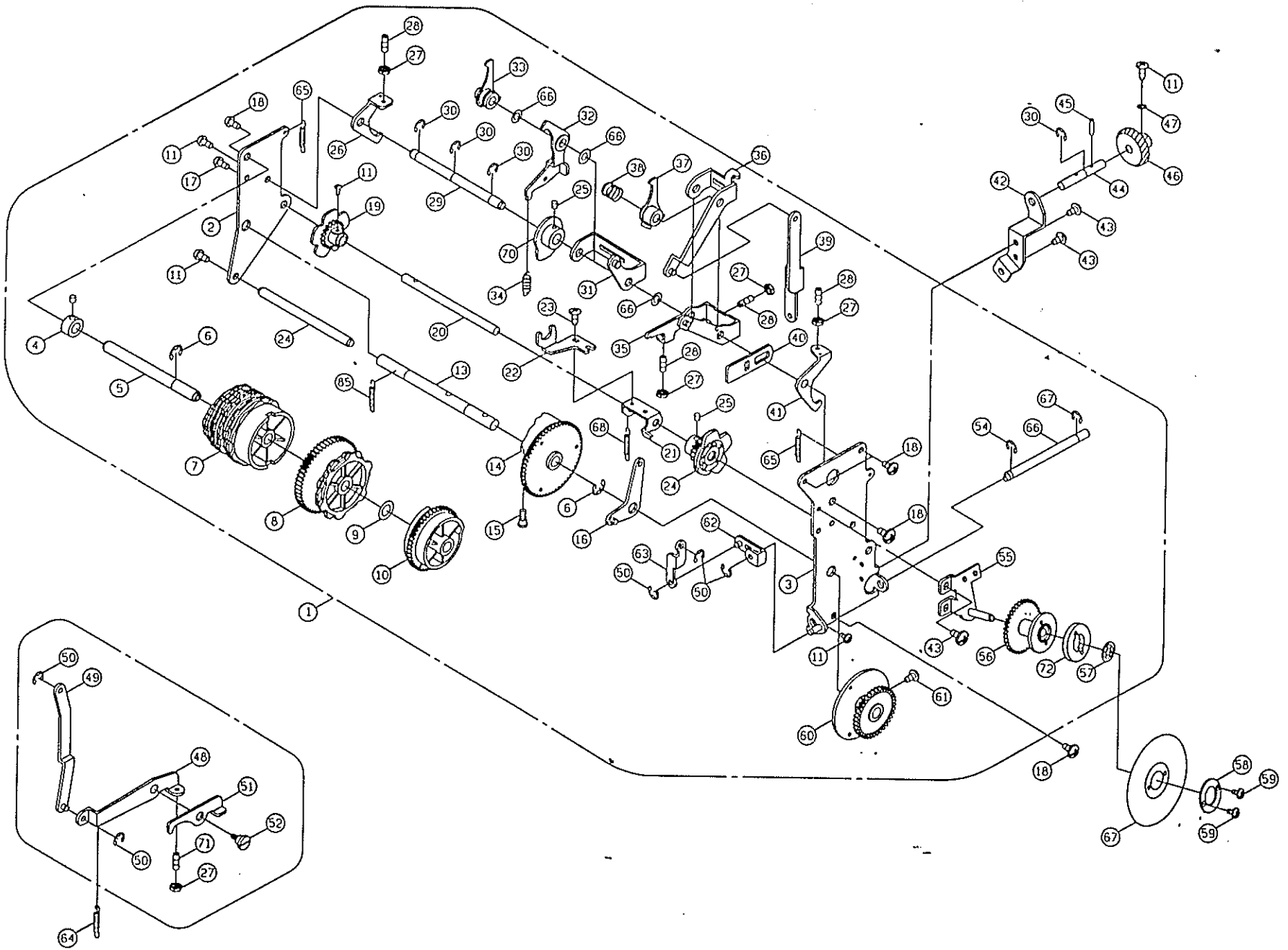
C



No.	Part No.	Description	中文名稱
1	E1A0013000	Arm	上臂底盤
2	004240883	Needle bar crank rod complete	針棒連動桿
3	V60193000	BH slide plate	BH 移動板
4	E1A1553003	Reverse rod	後退連桿
5	003010036	E-Ring (ETW-3)	E 型止環 (ETW-3)
6	TA10723848	Reverse button	後退鈕
7	V61205003	Clutch rod complete	離合桿台組
8	004240056	Set screw (M4×6 B)	螺絲 (M4×6 B 小頭)
9	V61213003	Clutch rod plate	離合桿台板
10	003011043	E-Ring (ETW-4)	E 型止輪 (ETW-4)
11	V61233003	Clutch rod	離合桿
12	E1A1283003	Zig zag width regulating cam plate	閥度調節器台板
13	003010043	E-Ring (ETW-4)	E 型止環 (ETW-4)
14	E1A1333003	Zig zag width spring	閥度調節器彈簧
15	004300713	Washer (5.2×10×0.2)	墊圈 (5.2×10×0.2)
16	E1A1303002	Zig zag width regulating cam	閥度調節器
17	E1A1323003	Zig zag regulator crank	閥度調節腕
18	004240633	Set screw (M4×12)	螺絲 (M4×12)
19	004840106	Set Nut (ALN-4)	調整固定螺帽 (ALN-4)
20	E1A1343003	Rod	振幅連桿
21	004240503	Set screw (M4×4)	螺絲 (M4×4 內六角)
22	E1A0243003	Movement plate supporter (1)	浮動板支持板(1)
23	E1A0253003	Movement plate supporter	浮動板(1)
24	003010036	E-Ring (ETW-3)	E 型止環 (ETW-3)
25	V620163848	Presser bar regulating screw	押棒調節螺絲
26	E1A0143000	Presser bar	押棒
27	E1A2493003	Presser bar spring	押棒彈簧
28	E1A0163003	Presser bar bracket complete	押棒固定導架
29	E1A2093003	Presser bar lifter lever shaft	押棒上下桿軸
30	003010053	E-Ring (ETW-5)	E 型止環 (ETW-5)
31	004240353	Presser bar lifter lever shaft set	押棒上下桿軸螺絲
32	E1A0173000	Presser bar lifter lever	押棒上下桿
33	006910008	Shank complete	押布腳上座組
34	004106211	Shank complete set screw	押布腳螺絲
35	006918008	Zip zap presser foot complete	萬能押布腳
36	E1A2323003	Presser bar bracket spring	押棒固定導架彈簧

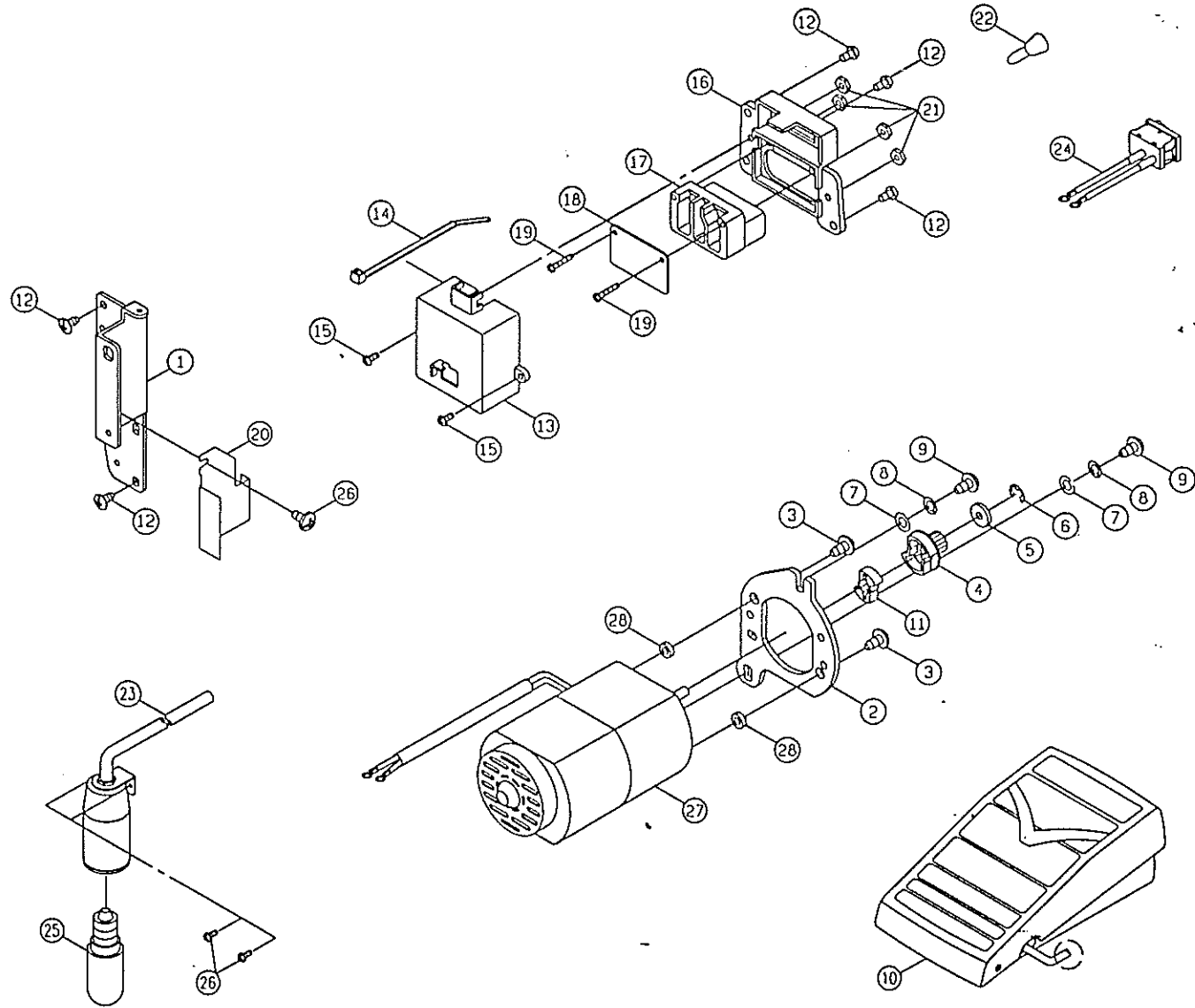
No.	Part No.	Description	中文名稱
37	E3A0254004	Needle plate	針板
38	NB1293000	Needle plate cover	針板蓋
39	004240851	Set screw (M4×6)	針板螺絲 (M4×6 圓弧)
40	NB0233000	Needle plate cover open	針板蓋開鍵
41	E1A2593000	Needle plate supporter	針板固定台
42	004103072	Set screw (SM3/32×56 L=3)	螺絲 (SM3/32×56 L=3)
43	E1A0584000	Rotary hook plate complete	梭定位板組
44	E1A0593002	Rotary hook plate (1)	梭定位板(1)
45	004240056	Set screw (M4×6)	螺絲 (M4×6 自攻)
46	E1A0103000	Needle bar supporter	針棒支體
47	NB0533000	Needle bar	針棒
48	003080052	E-Ring (ETW-5)	E 型止環 (ETW-5)
49	E1A1893000	Needle bar supporter pin	針棒支體銷
50	003010046	E-Ring (ETW-4)	E 型止輪 (ETW-4)
51	V61243003	Clutch rod spring	離合桿彈簧
52	E1A0183003	Needle bar driving rod	針棒引林
53	E1A2433000	Needle bar driving rod pin	針棒引林偏心銷
54	004107013	Set screw (11/64×40×4 C)	螺絲 (11/64×40×4 C)
55	H10263000	Needle bar bracket (2)	針棒抱(2)
56	H10253000	Needle bar bracket (1)	針棒抱(1)
57	H10195000	Needle bar bracket complete	針棒抱組
58	004106233	Set screw (9/64×40×5)	螺絲 (9/64×40×5)
59	E1A1543006	Reverse lever	後退桿
60	M70093000	Auto threaded lever spring	自動穿線器桿彈簧
61	H50583003	Needle bar supporter spring	針棒支體彈簧
62	E1A0193003	Needle bar supporter plate	針棒支持台搖動板
63	E1A0203003	Needle bar supporter plate pin	搖動板銷
64	H10205000	Needle clamp complete	針留組(圓)
65	R12573000	Needle guide plate	針導板
66	H10223000	Needle bar thread guide	針棒護線勾
67	004103011	Set screw (3/32×56×4.1)	針棒系掛螺絲
68	006176008	Needle	勝家針

D



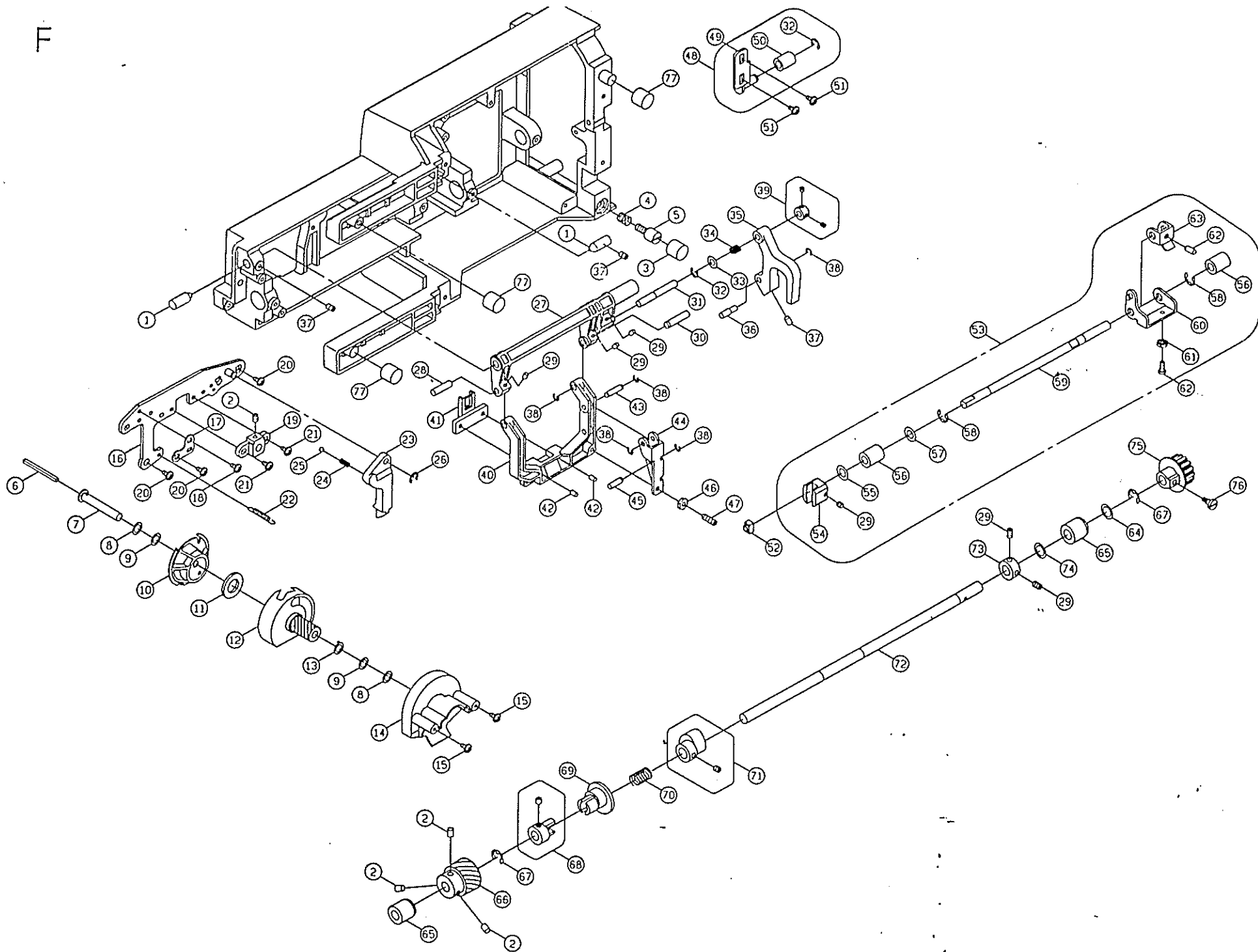
No.	Part No.	Description	中文名稱
1	ECA0014000	Pattern cam contact complete	機構台組
2	E1A0673003	Pattern cam contact plate (back)	機構台後
3	E1A0653003	Pattern cam contact plate (front)	機構台前
4	H11935000	Pattern cam shaft collar complete	模樣凸輪軸止環組
5	E1A0683003	Pattern cam shaft	模樣凸輪軸
6	003010063	E-Ring (ETW-6)	E 型止輪 (ETW-6)
7	EAA0053000	Pattern cam	模樣凸輪
8	EAA0043000	SS cam	SS 凸輪
9	004300863	Washer (8.2×14×0.5)	墊圈(8.2×14×0.5)
10	E1A0693000	Feed regulator cam	縫目凸輪
11	004230286	Set screw (M3×8 B)	螺絲(M3×8 B 小頭)
12	E1A1003003	Pattern cam contact supporter shaft	機構台支持軸
13	EAA0183003	Pattern selector cam shaft	選擇凸輪軸
14	ECA0023000	Pattern selector cam	選擇凸輪
15	004240423	Set screw (M4)	螺絲(M4 特殊)
16	E1A1033003	Pattern selector adjusting lever	微調作動桿
17	004240046	Set screw (M4×10B)	螺絲(M4×10 B 小頭)
18	00440106	Set screw (M4×8 A)	螺絲(M4×8 A 大頭)
19	E1A1053000	Zig zag cam	ZZ 開放凸輪
20	E1A1043000	Pattern selector cam shaft	開放凸輪軸
21	E1A1073006	Zig zag movement contact	移動接觸子
22	E1A1083003	Movement plate	移動導板
23	004230016	Set screw (M3×6 A)	螺絲(M3×6 A 大頭)
24	ECA0093000	Stretch stitch release	SS 開放凸輪
25	004250503	Set screw (M4×4)	螺絲(M4×4 內六角)
26	E1A0893003	Zig zag release plate	閘度開放板
27	004840106	Set screw (ALN-4)	調整固定螺帽(ALN-4)
28	004240633	Set screw (M4×0.7 L=12)	螺絲(M4×0.7 L=12)
29	E1A0843000	Zig zag cam contact supporter shaft	閘度接觸子支持台軸
30	003010056	E-Ring (ETW-5)	E 型止輪(ETW-5)
31	E1A0853003	Zig zag cam contact supporter	閘度接觸子支持台
32	EAA0103003	BH Feed crank	BH 傳送腕
33	E1A0873003	Zig zag cam contact	閘度接觸子
34	E1A0973003	BH Feed crank spring	BH 傳送腕彈簧
35	EAA0093003	BH adjusting crank	BH 調節腕
36	E1A0913003	SS cam contact supporter	SS 接觸子支持台

No.	Part No.	Description	中文名稱
37	E1A0923003	SS cam contact	SS 接觸子
38	E1A0903003	Zig zag release plate	SS 接觸子彈簧
39	E1A0943003	Feed rock shaft	傳送連桿
40	E1A0983003	BH adjusting plate	微調滑板
41	E1A0993003	Stretch stitch release plate	SS 開放板
42	E1A1253003	Selector dial plate	選擇轉鈕台板
43	004240056	Set screw (M4×6 B)	螺絲(M4×6 B 小頭)
44	E1A1243006	Selector dial shaft	選擇轉鈕軸
45	003042512	Sprung pin (φ2.5×12)	彈簧銷(φ2.5×12)
46	F4A3113000	Selector gear	選擇齒輪
47	004300676	Washer (3.2×8×0.8)	墊圈(3.2×8×0.8)
48	E1A1143003	Zig zag width crank	閘度腕
49	E1A1353003	Zig zag width crank rod	閘度腕連桿
50	003010036	E-Ring (ETW-3)	E 型止輪(ETW-3)
51	E1A1153003	Zig zag width selector plate	閘度選擇板
52	004230613	Set screw (M3)	閘度腕段螺絲(M3)
53	E1A1113000	Adjusting shaft	調整偏心軸
54	003010043	E-Ring (ETW-4)	E 型止輪(ETW-4)
55	E1A1183003	Pattern gear plate	模樣齒輪台板
56	E1A1203000	Pattern gear	模樣齒輪
57	003020043	CS ring	CS 扣環(CSTW-4)
58	E1A1213006	Pattern selector plate	模樣板押板
59	004220106	Set screw (M2×0.2 L=10)	螺絲(M2×0.2 L=10)
60	ECA0033000	Zig zag selector cam	閘度選擇凸輪
61	004240046	Set screw (M4×10 B)	螺絲(M4×10 B 小頭)
62	E1A1123003	BH adjusting hook holder	微調支持板
63	E1A1133003	BH adjusting rod	微調連桿
64	M70093000	Auto threaded lever spring	自動穿線器桿彈簧
65	H70553003	Spring	傳送齒台彈簧
66	004300833	Washer (6.6×14×0.5)	墊圈(6.6×14×0.5)
67	ECC5993848	Pattern selector plate	模樣表示板
68	M70093000	Auto threaded lever spring	自動穿線器桿彈簧
69	E1A1223003	Feed regulating crank spring	傳送調節器彈簧
70	EAA0153003	BH selector cam	BH 選擇凸輪
71	004241093	Set screw (M4×0.7 L=9)	螺絲(M4×0.7 L=9)
72	E4C0053006	Washer	模樣飾板墊



No.	Part No.	Description	中文名稱
1	EAA0213006	BH lever plate	燈座固定板
2	002503125	Motor bracket	馬達固定板
3	004250086	Set screw (M5×12)	馬達組螺絲
4	002396029*	Belt wheel	正時皮帶輪
5	002145029	Motor feed regulator collar	馬達傳送齒輪環片
6	003010036	E-Ring (ETW-3)	E型止輪(ETW-3)
7	004300306	Washer (5.4×10×0.9)	墊圈(5.4×10×0.9)
8	004600296	Spring washer (5.2×9×1)	彈簧墊圈(5.2×9×1)
9	004240385	Set screw (M4×10.2)	螺絲(M4×10.2)
10	001314109	Foot controller (4C-326G202)	腳控制器(歐向 230V)
11	008059302	Cushion rubber	馬達傳動齒輪墊
12	004240106	Set screw (M4×8 A)	螺絲(M4×8A 大頭)
13	E1A1973210	Receptacle holder cover	插座支架蓋(歐洲向)
14	002027129	Cord clip	鎖式繫帶
15	004230286	Set screw (M3×8)	螺絲(M3×8 B 小頭)
16	002252129	Receptacle holder	插座支架(TZ)
17	002253129	Receptacle (3SRF-2)	插座(3SRF-2)
18	002254129	Consent insulation plate	絕緣板
19	004230045	Set screw (M3×20 B)	螺絲(M3×20 B 小頭)
20	E1A2373000	Shield	隔光板
21	004830015	Nut (M3 t=2.3)	螺帽(M3 t=2.3)
22	AA0463000	Quick connect	絕緣接頭
23	002515118	Lampholder complete (only for 220-240V)	燈線組(歐洲向)
24	002425118	Switch ass'y	開關組
25	005240011	Lamp (240V 15W E-14)	燈泡(240V 15W E-14)
26	004230055	Set screw (M3×5 B)	螺絲(M3×5 B 小頭)
27	001119709	Motor complete (for 230V)4M-627GS101ZH	馬達(230V)
28	004300966	Washer (4.2×8×2.5)	墊圈(4.2×8×2.5)

F

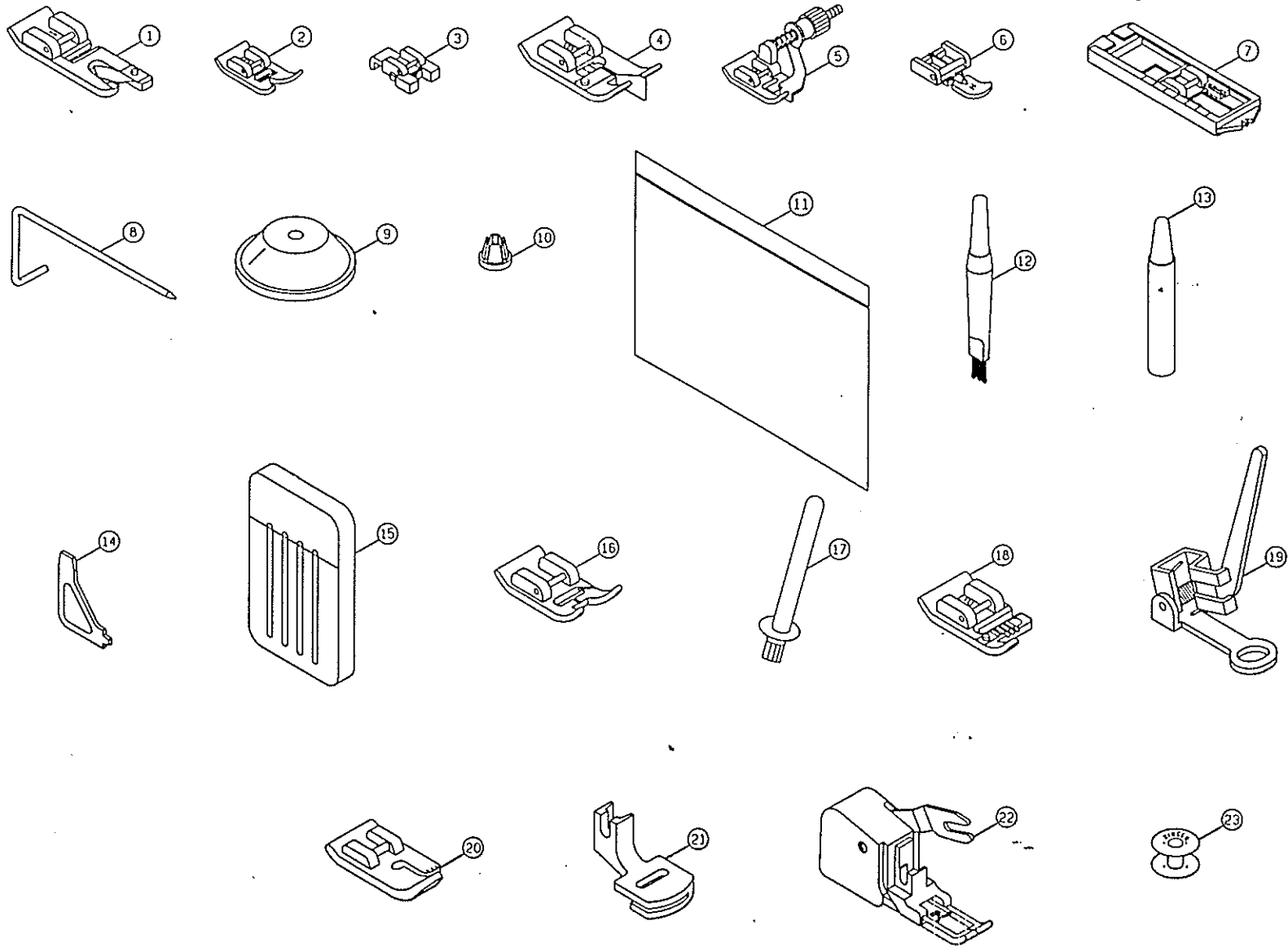


No.	Part No.	Description	中文名稱
1	E1A0463003	Feed crank shaft	錐型銷
2	004240033	Set screw (M4×5)	螺絲(M4×5 內六角)
3	H70043000	Free arm vase cushion rubber	底盤蓋橡膠墊
4	E1A2573003	Base plate adjustment screw spring	調節腳彈簧
5	K82133003	Base plate adjustment screw	補助調節足
6	NB0693000	Bobbin shaft oil cloth	梭軸油棉
7	E1A2033000	Bobbin shaft	梭軸
8	NB0673000	Bobbin shaft washer (2)	梭軸墊圈(2)
9	004400840	Bobbin shaft washer (1)	耐磨墊圈
10	NB1275000	Shuttle hook complete	中筌組
11	NB0643000	Magnet	中筌吸引磁鐵
12	NB1265000	Shuttle hook holder	外筌組
13	NB0683000	Bobbin shaft washer (3)	梭軸墊圈(3)
14	E1A0563000	Needle plate cover	梭保護蓋
15	004230066	Set screw (M3×12)	螺絲(M3×12 自攻尖尾)
16	E1A0523000	Rotary hook holder	梭支持板
17	E1A0553000	Rotary hook holder positioned plate	梭支持板定位板
18	004240056	Set screw (M4×6 B)	螺絲(M4×6 B 小頭)
19	E1A0543000	Rotary hook supporter	梭支持台
20	004240585	Set screw (M4×8)	螺絲(M4×8)
21	004240106	Set screw (M4×8 A)	螺絲(M4×8 A 大頭)
22	E1A2343003	Feed dog frame spring	傳送齒台彈簧
23	E1A0573848	Feed lifting shaft	上下傳送連桿
24	E1A1873003	Feed lifting shaft spring	上下傳送連桿彈簧
25	H12883000	Steel ball	鋼球
26	003010046	E-Ring (ETW-4)	E型止輪(ETW-4)
27	E1A0373000	Feed rock shaft	水平傳送軸
28	E1A0403003	Feed rock frame shaft (2)	水平傳送土台軸(2)
29	004240503	Set screw (M4×4)	螺絲(M4×4 內六角)
30	E1A0423003	Feed rock frame shaft	水平傳送土台軸(1)
31	E1A0383003	Feed rock bushing pin	水平傳送軸台銷(1)
32	003010043	E-Ring (ETW-4)	E型止環(ETW-4)
33	004300643	Washer (5.2×10×0.5)	墊圈(5.2×10×0.5)
34	E1A2023003	Feed shaft spring	水平傳送軸台彈簧
35	E1A2083210	Feed rock crank	水平傳送腕
36	F30323003	Feed rock crank pin	水平傳送腕銷

No.	Part No.	Description	中文名稱
37	004240223	Set screw (M4×6)	螺絲(M4×6 內六角)
38	003010036	E-Ring (ETW-3)	E型止輪(ETW-3)
39	F30284000	Feed rock shaft collar	水平傳送軸台止環組
40	E1A0413000	Feed rock frame	水平傳送土台
41	E3A0033001	Feed dog	送布齒
42	004104012	Set screw (1/8×44×5)	螺絲(1/8×44×5)
43	E1A0443003	Feed rock crank pin	上下傳送腕銷(1)
44	E1A0433003	Feed rock crank	水平傳送腕
45	E1A0453003	Feed lifting rock crank	上下傳送腕銷(2)
46	004840106	Adjusting Nut	調整固定螺帽(ALN-4)
47	004240633	Feed back crank screw	後退傳送腕調整螺絲
48	E1A0345000	Belt adjusting plate complete	皮帶調節板組
49	E1A0353000	Belt adjusting plate	皮帶調節板
50	H12323000	Belt adjusting plate pulley	皮帶調節板滾輪
51	004240106	Set screw (M4×8 A)	螺絲(M4×8 A 大頭)
52	F30333000	Feed regulating block	傳送調節器滑塊
53	E1A0474000	Feed regulating plate complete	傳送調節器組
54	F30353000	Feed regulating	傳送調節器
55	004400570	Washer (6.7×11.8×0.5)	墊圈(6.7×11.8×0.5)
56	R11443000	Feed rock bushing	傳送調節軸承
57	004300123	Washer (6.7×12×1)	墊圈(6.7×12×1)
58	003011052	E-Ring (ETW-5)	E型止輪(ETW-5)
59	E1A0483003	Feed regulating shaft	傳送調節器軸
60	E1A0503003	Feed regulating crank	傳送調節腕
61	004840106	Adjusting nut (ALN-4)	調整固定螺帽(ALN-4)
62	004240046	Set screw (M4×10 B)	螺絲(M4×10 B 小頭)
63	E1A0493003	Feed crank	傳送腕
64	004300936	Washer (8.2×12×0.5)	墊圈(8.2×12×0.5)
65	E1A0283000	Lower shaft bushing	下軸軸承
66	NB0503000	Lower shaft gear	下軸齒輪
67	003010063	E-Ring (ETW-6)	E型止輪(ETW-6)
68	E1A0305000	Feed lifting rock cam complete	上下傳送凸輪等環組
69	E1A0290000	Feed lifting rock cam	上下傳送凸輪
70	E1A0333003	Lower shaft spring	下軸彈簧
71	E1A0325000	Feed rock cam	水平傳送凸輪組
72	E1A0273000	Lower shaft	下軸

No.	Part No.	Description	中文名稱
73	V11553003	Lower shaft collar	下軸止環
74	004400830	Endure attrition washer (8.2×12×0.5)	耐磨墊圈(8.2×12×0.5)
75	E1A0313000	Lower shaft belt pulley	下軸皮帶輪
76	004230673	Set screw (M3×14)	下軸皮帶輪螺絲
77	E1A2503000	Free arm vase cushion rubber	底盤座橡膠墊

G



No.	Part No.	Description	中文名稱
1	006900008	Hammer foot (NO.K)	捲布器押布腳
2	006180008	Zig zag foot	萬能押布腳
3	006914008	Button foot	鈕扣壓器組
4	006907008	Overcasting foot	布縐紋押布腳
5	006904008	Blind hem foot	縫幅限制器
6	006905008	Zipper foot	縫拉鍊押布腳 (N#)
7	006174008	Buttonhole foot	BH 押布腳組
8	006008001	Quilting bar	縫幅基準器 (定規棒)
9	R12373848	Spool set plate (big)	線輪固定蓋 (TZ)
10	TA10943848	Spool set plate (small)	線輪固定蓋 (小)
11	006011009	Accessories bag	附生袋
12	006099008	Brush & Seam ripper complete	割布刀組
13	006013009	oilier	油瓶
14	006093009	Screw drive	附件起子 (L)
15	006175008	Needle	勝家針
16	006172008	Satin stitch foot	密著縫押布腳
17	R60033210	Second spool pin	附件線輪桿
18	006813008	Cording foot	縫凸線押布腳 (M)
19	006016008	Darning foot	刺繡押布腳
20	006916008	Quilting foot	直線押布腳
21	006917008	Gathering foot	皺摺押布腳
22	006173008	Walking foot	腳踏押布腳
23	006066008	Bobbin	梭線輪

NOTE: When you order any spare parts from us, please cooperate with us by writing.

- (1) Section & Sequence No.
- (2) Name of parts
- (3) Voltage, if necessary
- (4) Others, if any
- (5) "*" means: These spare parts are not supplied individually, but can be obtained by minimum quantity at 300 pcs.