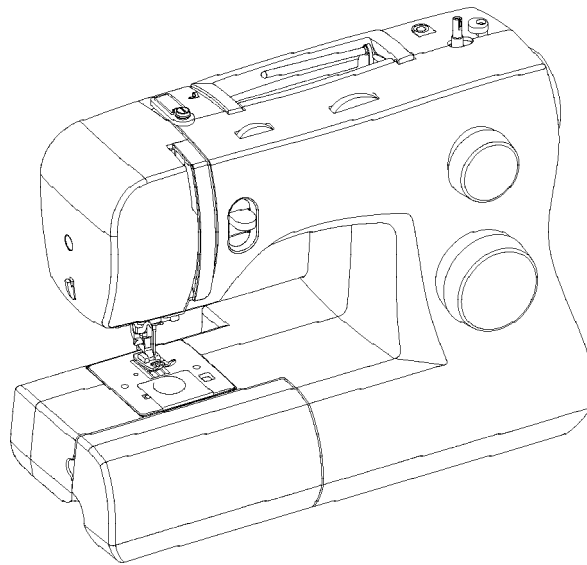




3323

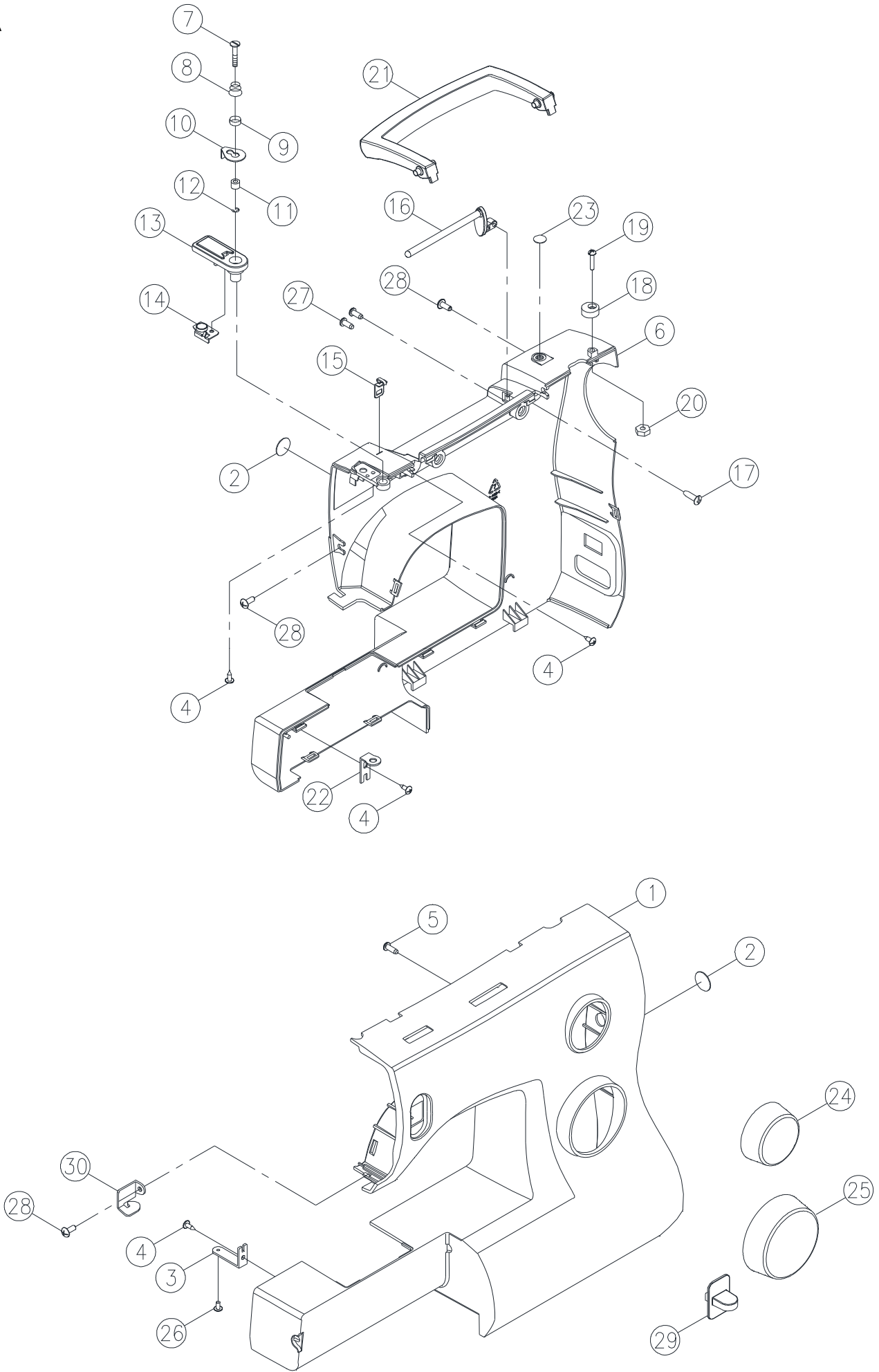
3321



Liste de pièces
Lista de Piezas
Parts List

® A registered trademark of The Singer Company Ltd. or its affiliates.
® *Una marca registrada de The Singer Company Ltd. o sus afiliados*
® *Une marca déposée de The Singer Company Ltd. ou ses filiales.*

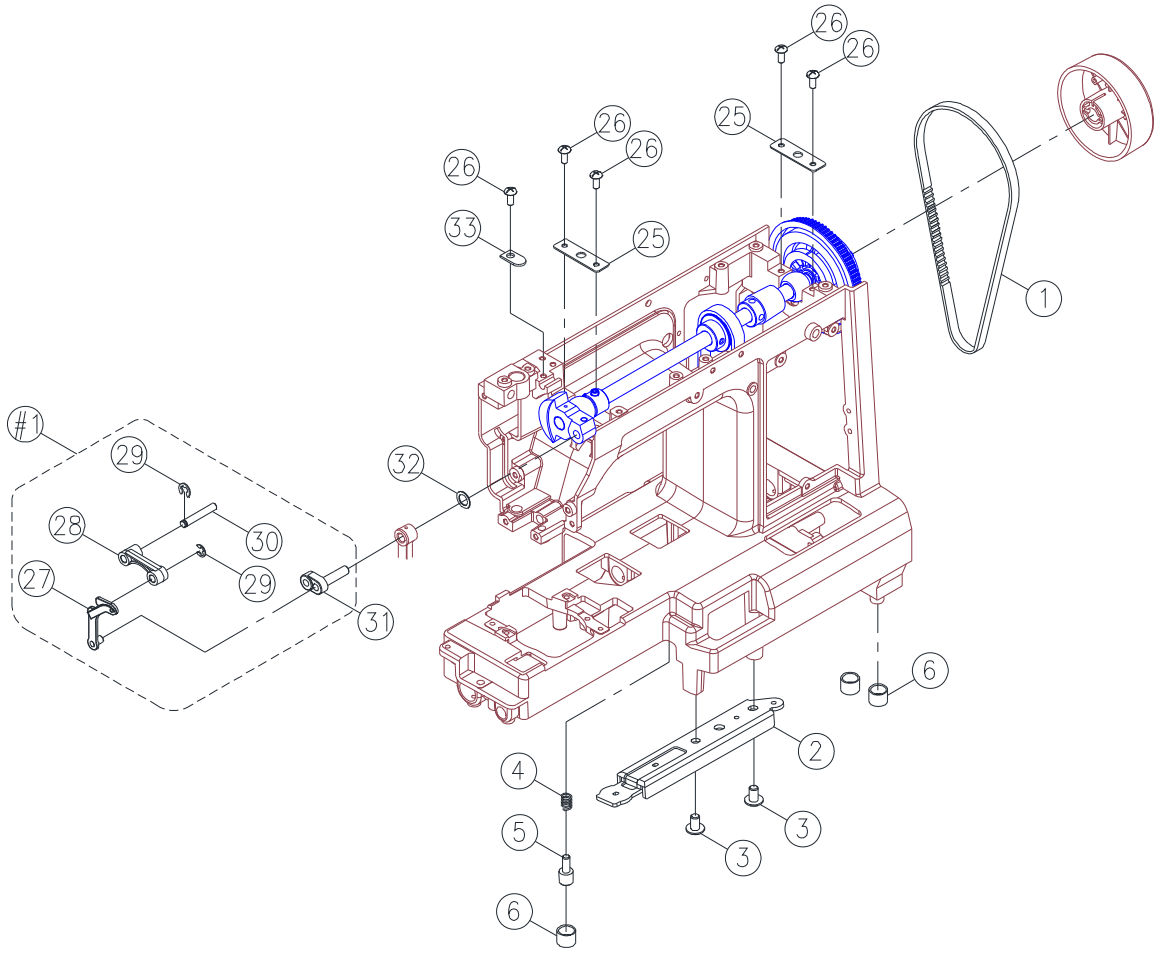
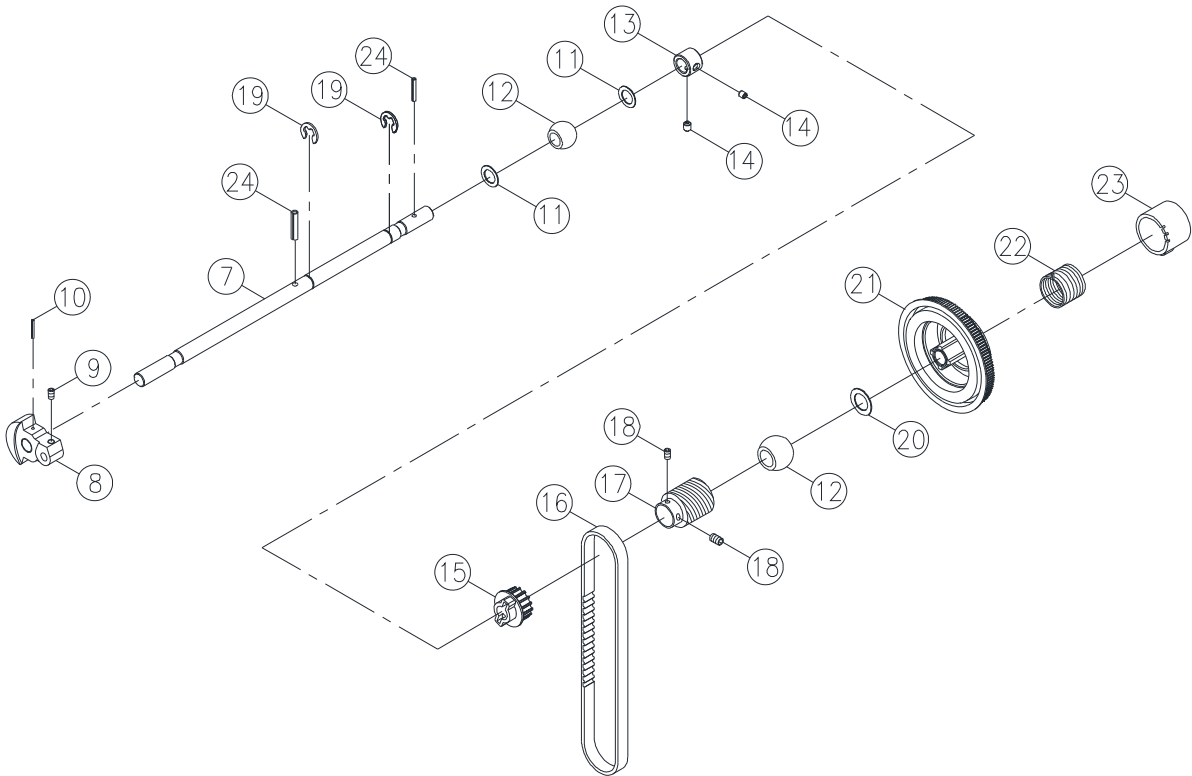
A



#	Part Number	Description
1	416767001	FRONT COVER FOR 3321
1	416603901	FRONT COVER FOR 3323
2	270 V61503210	PLATE (1)
3	416144401	ARM FRONT COVER SET PLATE
4	270 004230216	SET SCREW (M3x8.5)
5	270 004240186	SET SCREW (M4x15 B)
6	416429001	BACK COVER
7	416199301	BOBBIN WINDER THREAD GUIDE ADJUSTING
8	416199301	BOBBIN WINDER THREAD GUIDE SPRING
9	416199301	BOBBIN WINDER SPRING DISC
10	416199301	BOBBIN WINDER THREAD GUIDE
11	416199301	SPACER
12	416116001	E-RING (ETW-3)
13	416199201	BOBBIN WINDER THREAD GUIDE DISC
14	270 V6E0395000	THREAD GUIDE CPL.
15	68016210	THREAD GUIDE
16	270 K6B0383210	SPOOL PIN BASE
17	416573801	SET SCREW (M3x1.06)
18	416554101	BOBBIN WINDER
19	416174001	SET SCREW (9/64x40x16)
20	416126301	NUT (9/64x40 t=3)
21	416429101	HANDLE
22	416144501	ARM BACK COVER SET PLATE
23		
24	416429601	STITCH LENGTH DIAL
25	416429701	SELECTOR DIAL FOR 3321
25	416604101	SELECTOR DIAL FOR 3323
26	68017364	SET SCREW (M3x8)
27	416122201	SET SCREW (M4x10 B)
28	416121501	SET SCREW (M4x8 A)
29	416428001	REVERSE BUTTON
30	416145101	ARM TOP COVER THREAD GUIDE PLATE

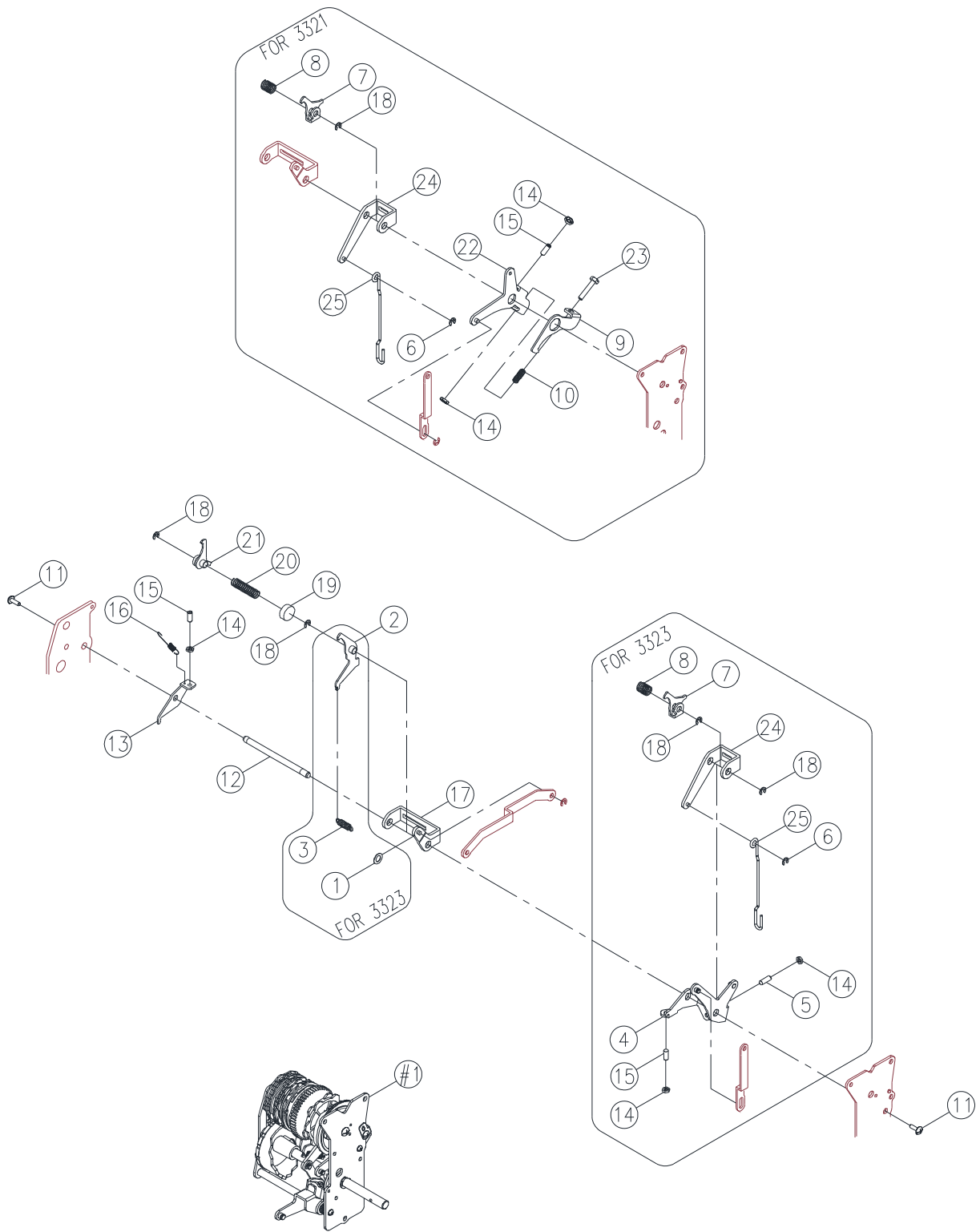
#	Part Number	Description
#1	416429801	SEWING TABLE BODY CPL. FOR 3321
#1	416429801	SEWING TABLE BODY CPL. FOR 3323
1	416429201	FACE COVER
2	412423701	CUTTER
3	416116701	CS-RING (CSTW-5)
4	416185401	SET SCREW (M4x10 A)
5	416428101	DIAL TENSION SUPPORTER PLATE COVER
6	416498301	DIAL TENSION KNOB
7	416766001	ZIGZAG WIDTH DIAL FOR 3321
7	416602801	ZIGZAG WIDTH DIAL FOR 3323
8	416596701	HAND WHEEL
9	416525001	SET SCREW (M5x10)
10	270 V16893210	HAND WHEEL DECORATED PLATE
11	416413301	BH LEVER BUTTON FOR 3323
12	416429401	FREE ARM FOOT BASE
13	416429501	BED COVER
14	416121101	SET SCREW (M4x10 B)
15	416184801	SET SCREW (M3x8)
16	68012007	FREE ARM BASE CUSHION RUBBER
17	416120701	SET SCREW (M3x12)
18		
19		

C



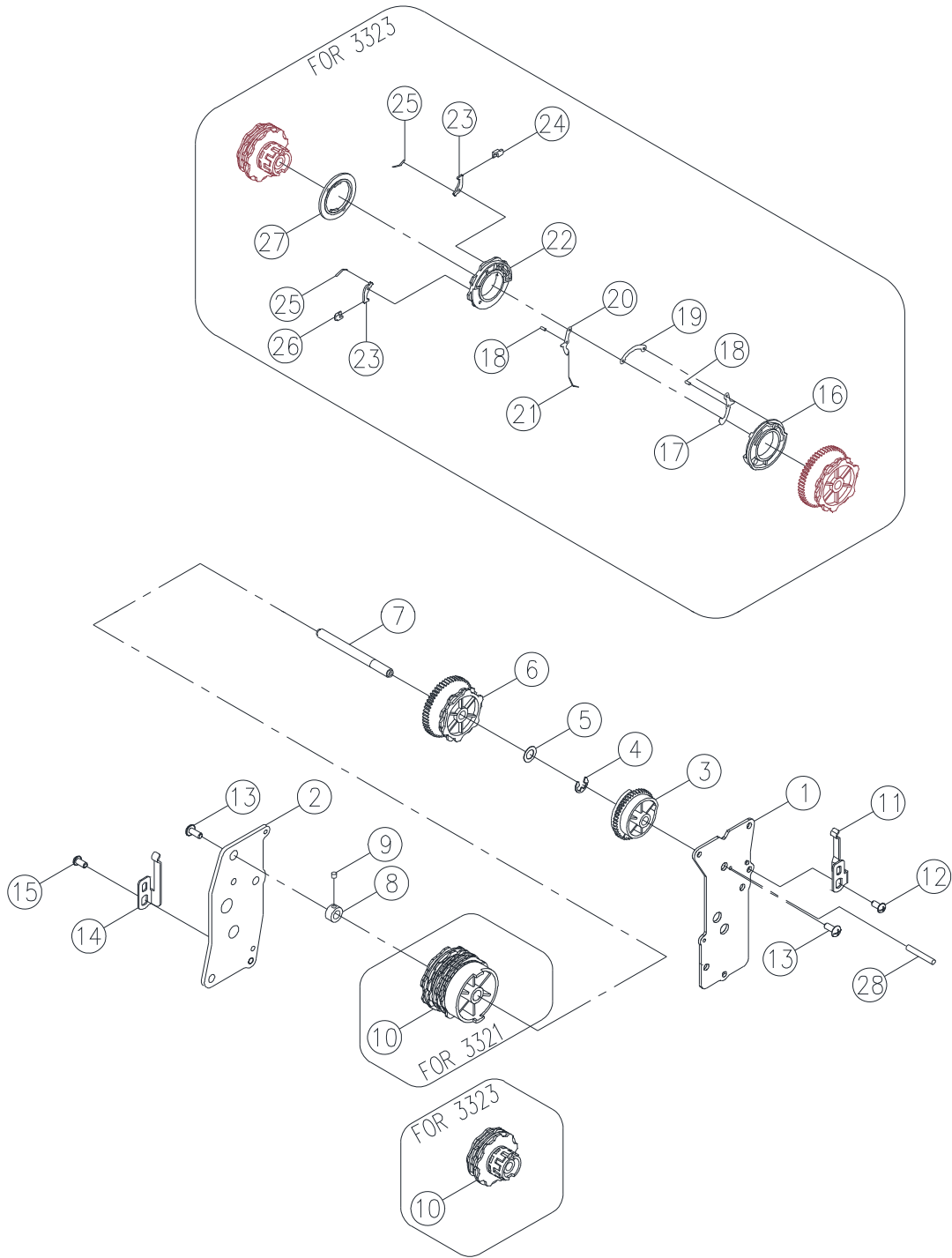
#	Part Number	Description
#1	416765401	THREAD TAKE UP LEVER CPL.
1	416427701	BELT
2	416596401	FREE ARM FOOT
3	416185701	SET SCREW (M6x10)
4	416154401	SPRING
5	416154601	ADJUSTMENT SCREW
6	68003263	FREE ARM BASE CUSHION
7	416427401	ARM SHAFT
8	416566401	ARM SHAFT BALANCE
9	416122101	SET SCREW (M4x6 C)
10	416117701	PIN (3.5x24)
11	416125101	ENDURE ATTRITION WASHER (10.2x15x0.5)
12	416156301	ARM SHAFT BUSING
13	416765101	ARM SHAFT COLLAR
14	416121001	SET SCREW (M4x5 C)
15	416680201	ARM SHAFT SPROCKET
16	416727301	BELT
17	68013256	ARM SHAFT WORM
18	416122401	SET SCREW (M4x4 C)
19	416116501	E-RING (ETW-9)
20	416124701	WASHER (10.2x15x0.5)
21	416427801	ARM SHAFT DRIVER BELT PULLEY
22	416156601	ARM SHAFT CLUTCH ANNULUS SPRING
23	270 R10403000	ARM SHAFT COLLAR
24	416117601	SPRING PIN (3x18)
25	416161701	ARM SHAFT BUSHING HOLDER PLATE
26	416121501	SET SCREW (M4x8 A)
27		
28		
29		
30		
31		
32	416524701	ENDURE ATTRITION WASHER (6.2x12x0.25)
33	416522601	SET WASHER

D



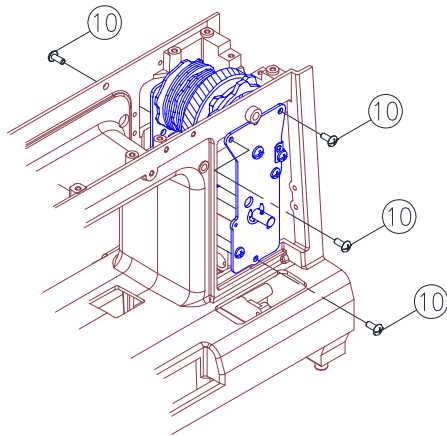
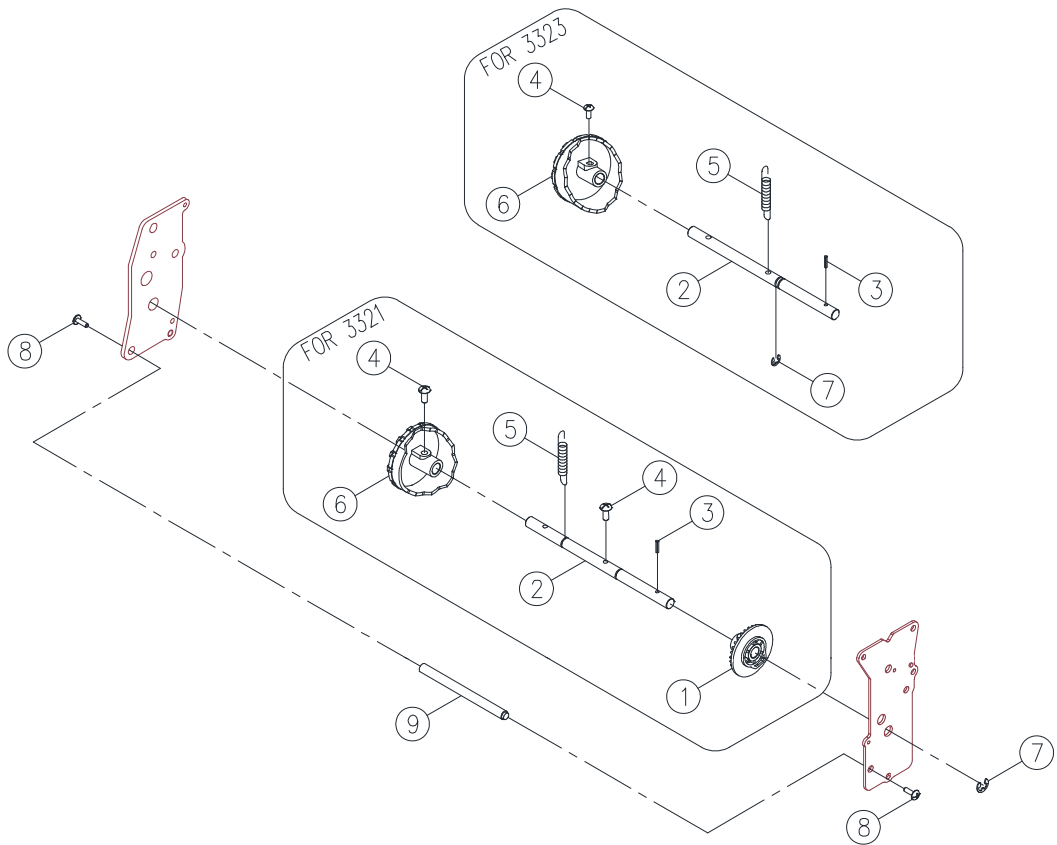
#	Part Number	Description
#1	68017367	PATTERN CAM CONTACT CPL. FOR 3321
#1	68017369	PATTERN CAM CONTACT CPL. FOR 3323
1	416604901	WASHER (6.7x12x0.5) FOR 3323
2	416545201	BH FEED CRANK FOR 3323
3	416187301	BH FEED CRANK SPRING FOR 3323
4	416545601	BH ADJUSTING CRANK FOR 3323
5	416122701	SET SCREW (M4x0.7 L12) FOR 3323
6	416116001	E-RING (ETW-3)
7	416597501	SS CAM CONTACT
8	416166401	SS CAM CONTACT SPRING
9	416554801	BH FEED CRANK FOR 3321
10	270 V60813003	BH SPRING FOR 3321
11	416119201	SET SCREW (M3x6 A)
12	416598001	ZIGZAG CAM CONTACT SUPPORTER SHAFT
13	416544901	ZIGZAG RELEASE PLATE
14	68015308	NUT (ALN-4)
15	416185501	SET SCREW (M4x0.7 L9)
16	416545001	ZIGZAG RELEASE PLATE SPRING
17	416545101	ZIGZAG CAM CONTACT SUPPORTER
18	416183801	E-RING (ETW-5)
19	416545301	SPRING PEDESTAL
20	416517801	ZIGZAG CAM CONTACT SPRING
21	416545501	ZIGZAG CAM CONTACT
22	416800601	FEED ADJUST CRANK FOR 3321
23	270 004240706	SET SCREW (M4x20) FOR 3321
24	416597301	SS CAM CONTACT SUPPORTER CPL.
25	416800501	FEED ROCK SHAFT

E



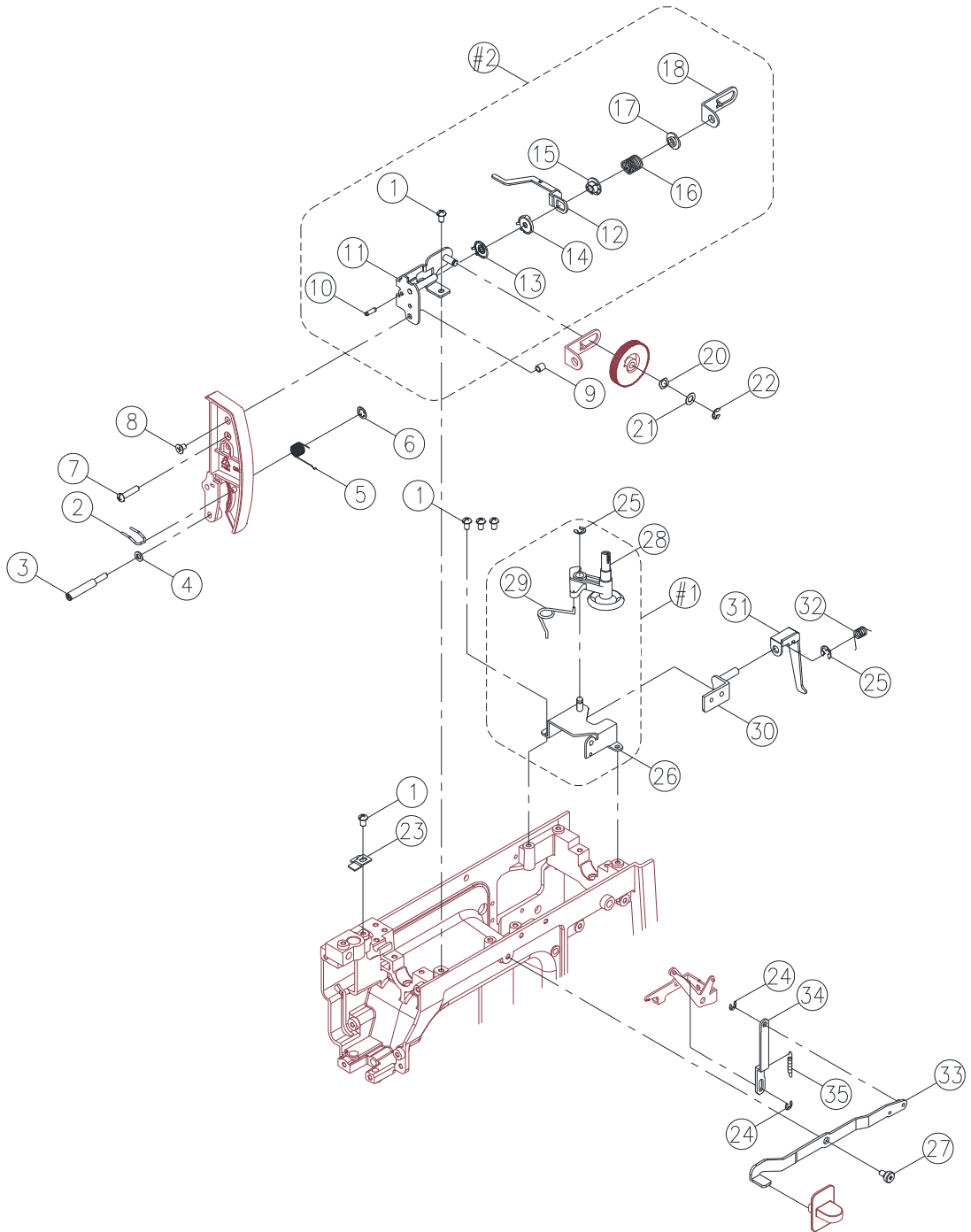
#	Part Number	Description
1	416596801	PATTERN CAM CONTACT PLATE (FRONT)
2	416543701	PATTERN CAM CONTACT PLATE (BACK)
3	68003182	FEED REGULATOR CAM
4	416116401	E-RING (ETW-6)
5	416228101	WASHER (8.2x14x0.5)
6	416427901	SS CAM
8	416151801	PATTERN CAM SHAFT COLLAR
7	416543801	PATTERN CAM SHAFT
9	416122401	SET SCREW (M4x4 C)
10	416430101	PATTERN CAM FOR 3321
10	68003183	PATTERN CAM FOR 3323
11	416546501	FEED REGULATOR FIX PLATE
12	416524501	SET SCREW (M4x4 B)
13	416121501	SET SCREW (M4x8 A)
14	416195301	PATTERN FIX SPRING PLATE
15	416226601	SET SCREW (M4x5 B)
16	416543901	BH FEED REGULATOR CAM FOR 3323
17	416544001	BH CLUTCH CONTACT A FOR 3323
18	416229201	BH CLUTCH SHAFT FOR 3323
19	416544101	BH CLUTCH LEVER FOR 3323
20	416544201	BH CLUTCH CONTACT B FOR 3323
21	416229601	BH CLUTCH SPRING PLATE FOR 3323
22	416544301	BH CAM FOR 3323
23	416544401	BH CONTACT FOR 3323
24	416544501	BH SLIDE BLOCK R FOR 3323
25	416544601	BH CONTACT SPRING PLATE FOR 3323
26	416544701	BH SLIDE BLOCK L FOR 3323
27	416544801	STRAIGHT STITCH CAM FOR 3323
28	416547101	SPRING PIN (2.5x10)

F



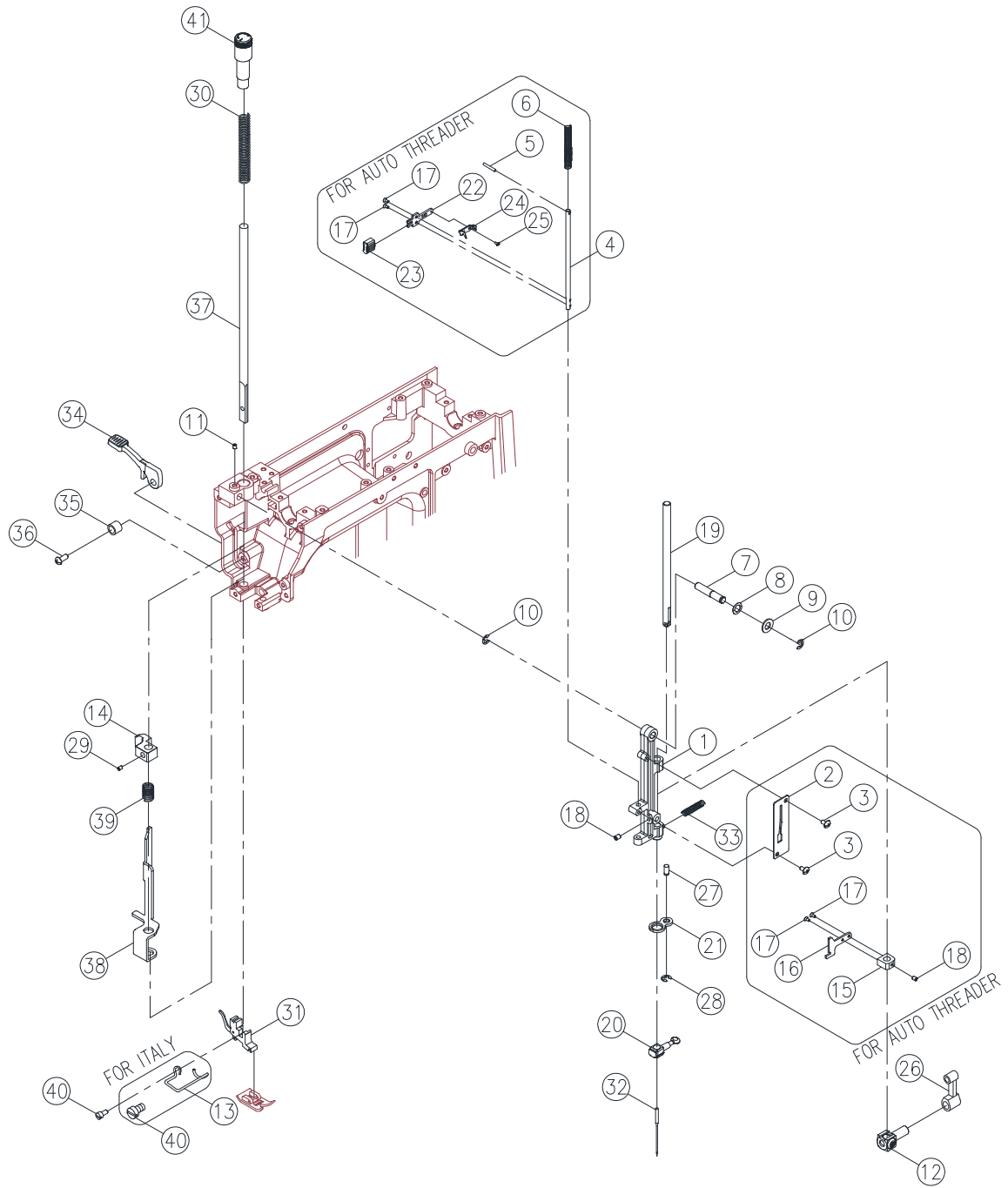
#	Part Number	Description
1	416604401	BH PATTERN SELECTOR CAM FOR 3321
2	416604301	PATTERN SELECTOR CAM SHAFT FOR 3321
2	416599501	PATTERN SELECTOR CAM SHAFT FOR 3323
3	416183901	SPRING PIN (2.5x16)
4	416185201	SET SCREW (M4x10)
5	416546301	FEED REGULATING CRANK SPRING
6	416554901	PATTERN SELECTOR CAM FOR 3321
6	416727701	PATTERN SELECTOR CAM FOR 3323
7	416116401	E-RING (ETW-6)
8	416119201	SET SCREW (M3x6 A)
9	416546401	PATTERN CAM CONTACT SUPPORTER SHAFT
10	416121501	SET SCREW (M4x8 A)

G



#	Part Number	Description
#1	68017450	BOBBIN WINDER CRANK CPL.
#2	68017477	TENSION SUPPORTER MOVEMENT PLATE CPL.
1	416121201	SET SCREW (M4x6 B)
2	416198701	THREAD GUIDE
3	270 004241412	SET SCREW (M4x0.7 L42)
4	416124101	WASHER (4.2x8x0.8)
5	416162601	DIAL TENSION SPRING
6	416116701	CS-RING (CSTW-5)
7	416422401	SET SCREW (M4x18 B)
8	416121901	SET SCREW (M4x6)
9		
10		
11		
12		
13		
14		
15		
16		
17		
18		
20	416126001	WASHER (WW-5)
21	416124501	WASHER (5.2x10x0.5)
22	416116101	E-RING (ETW-4)
23	416527201	TENSION LEVER REGULATING PLATE
24	416116001	E-RING (ETW-3)
25	416116301	E-RING (ETW-5)
26		
27	416716301	SET SCREW
28	68003165	BOBBIN WINDER CRANK CPL.
29	270 K6A0573003	BOBBIN WINDER CRANK SPRING
30	416527501	CLUTCH ROD PLATE
31	416197501	CLUTCH ROD
32	416197601	CLUTCH ROD SPRING
33	416802801	REVERSE LEVER
34	416551401	REVERSE ROD
35	416155001	AUTO THREADED LEVER SPRING

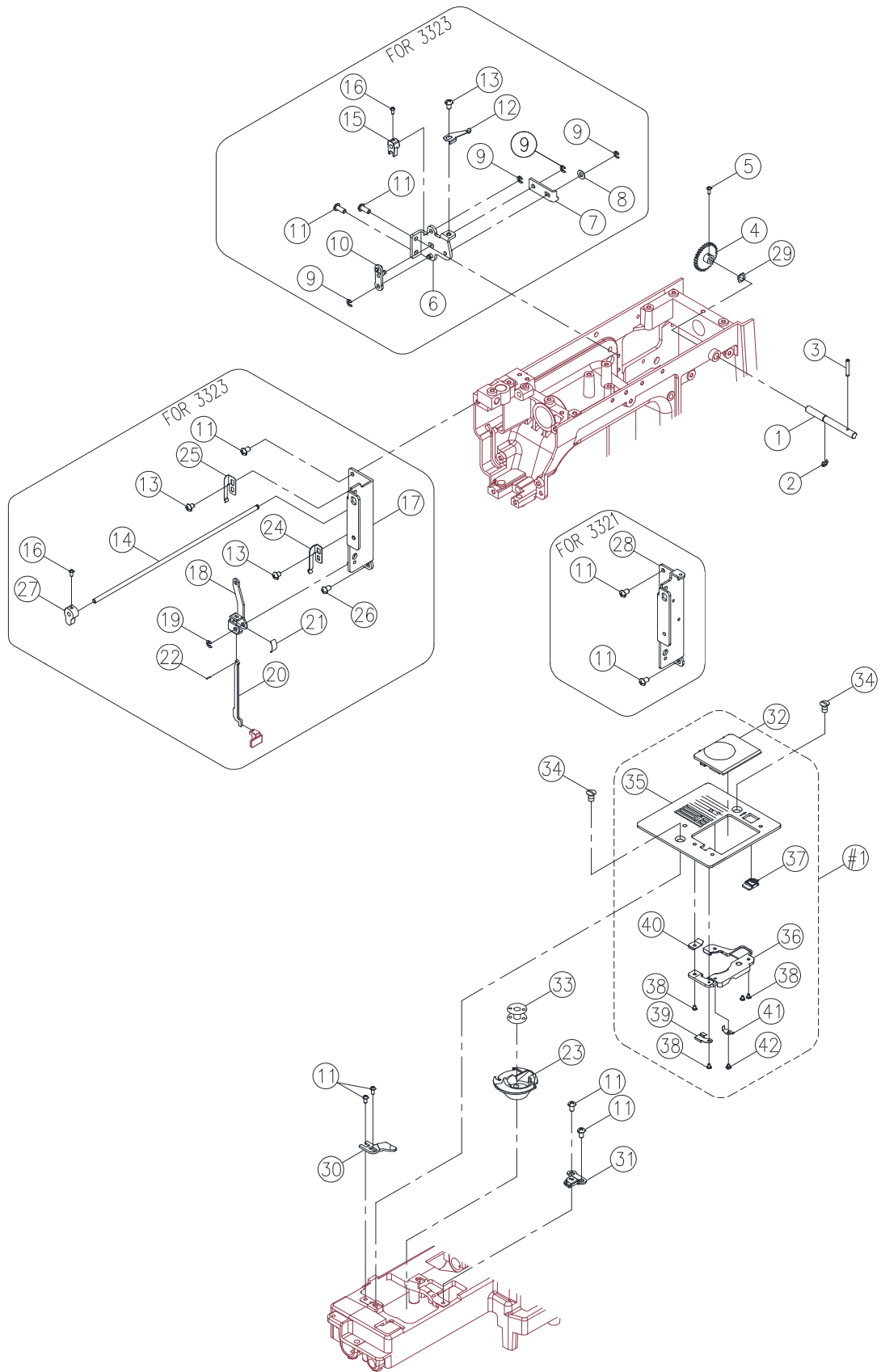
H



#	Part Number	Description
1	270 Q6A0053000	NEEDLE BAR SUPPORTER
2	416189801	THREADING GUIDE
3	416119201	SET SCREW (M3x6 A)
4	416189901	THREADING SHAFT
5	270 003045014	PIN (2x14)
6	416190001	THREADING SHAFT SPRING
7	416189301	NEEDLE BAR SUPPORTER PIN
8	416186901	WASHER (WW-6)
9	416185801	WASHER (6.5x13x1)
10	416116201	E-RING (ETW-4)
11	416121001	SET SCREW (M4x5 C)
12	416150801	NEEDLE BAR BRACKET CPL.
13		
14	416151401	PRESSER BAR BRACKET
15	416189601	THREADING STOPPER
16	416493901	THREADING STOP HOLDER
17	416184401	SET SCREW (M2x4)
18	416184601	SET SCREW (M3x4 C)
19	416173601	NEEDLE BAR
20	416245301	NEEDLE CLAMP CPL.
21	416682401	NEEDLE BAR SUPPORTER
22	416190201	THREADING PLATE
23	416190301	THREADING BUTTON
24	416190401	THREADING SHAFT CPL.
25	416184301	SET SCREW (M1.6x3)
26	416235801	NEEDLE BAR CRANK ROD
27	68014111	NEEDLE BAR SUPPORTER PLATE PIN
28	416116101	E-RING (ETW-4)
29	416151401	SET SCREW (M6x5 C)
30	416173501	PRESSER BAR SPRING
31	416128201	SHANK CPL.
32		NEEDLE
33	416152701	NEEDLE BAR SUPPORTER SPRING
34	416466901	PRESSER BAR LIFTER LEVER
35	416162101	PRESSER BAR LIFTER LEVER SCREW WASHER
36	416121101	SET SCREW (M4x10 B)
37	416173401	PRESSER BAR
38	68017578	TENSION LEVER LIFTER
39	416151601	TENSION LEVER LIFTER SPRING
40	416118401	SET SCREW (9/64x40x7.5)
41	68013226	SHANK SCREW (9/64x40x9.5)

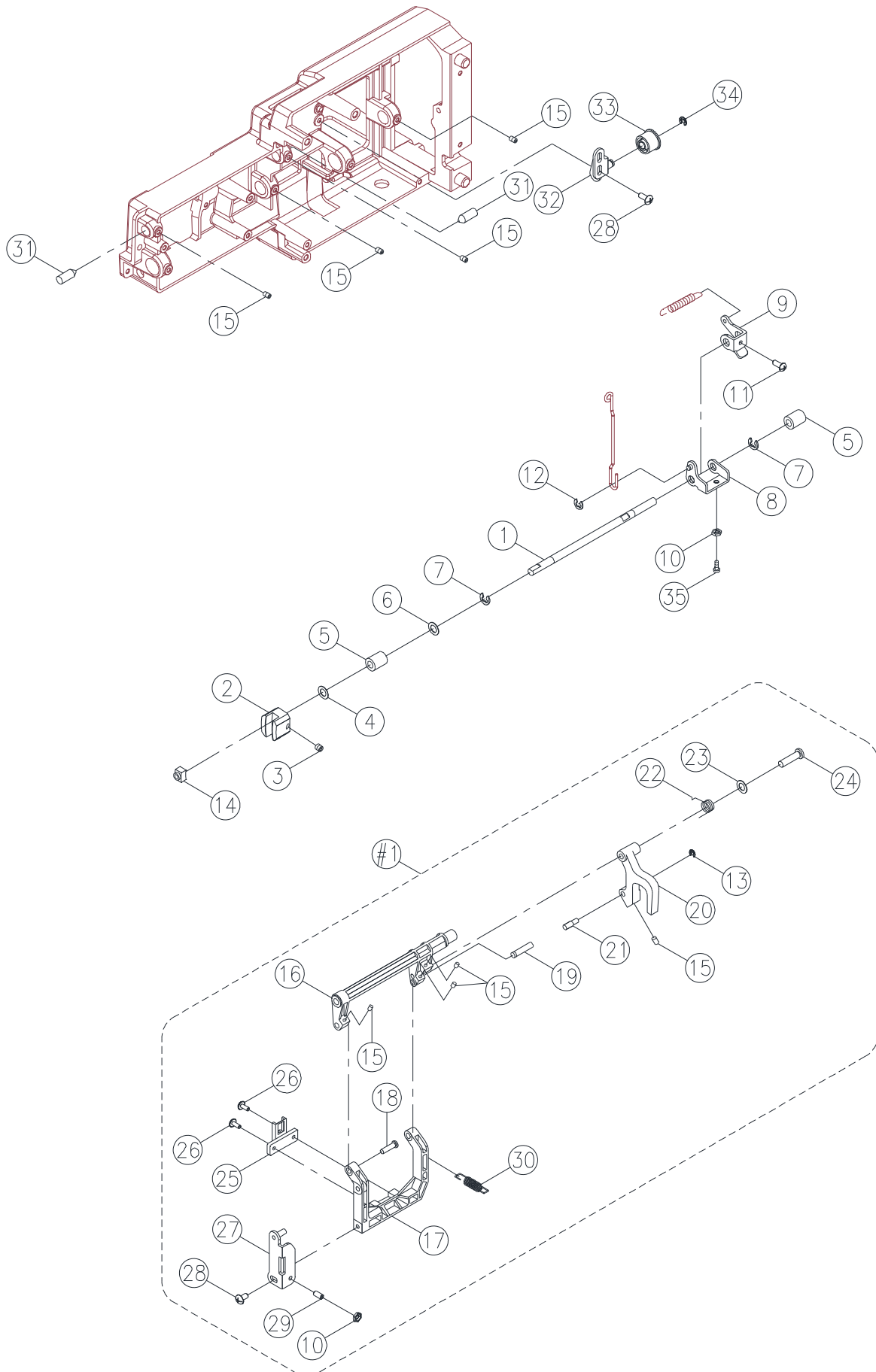
H

Pos	Part No.	Description
1	270 E1A1283003	ZIGZAG WIDTH REGULATING CAM PLATE
2	270 E1A1333003	ZIGZAG WIDTH SPRING
3	416116101	E-RING (ETW-4)
4	416186201	WASHER (5.2x10x0.2)
5	270 E1A1333003	ZIGZAG WIDTH REGULATING CAM
6	416602501	ZIGZAG REGULATOR CRANK
7	416122701	SET SCREW (M4x0.7 L12)
8	416126801	SET NUT (ALN-4)
9	416602601	ROD
10	416116001	E-RING (ETW-3)
11	416121201	SET SCREW (M4x6 B)
12	416602701	ZIGZAG WIDTH DIAL PLATE
13	416117501	SPRING PIN (3x10)
14	416186901	WASHER
15	416801101	NEEDLE BAR DRIVING ROD PIN
16	68013206	SET SCREW (M4x10 A)
17	416602901	ZIGZAG WIDTH CRANK
18	416603001	ZIGZAG WIDTH CRANK ROD
19		
20	416601301	NEEDLE BAR DRIVING ROD
21	416116201	E-RING (ETW-4)
22	416121501	SET SCREW (M4x8 A)



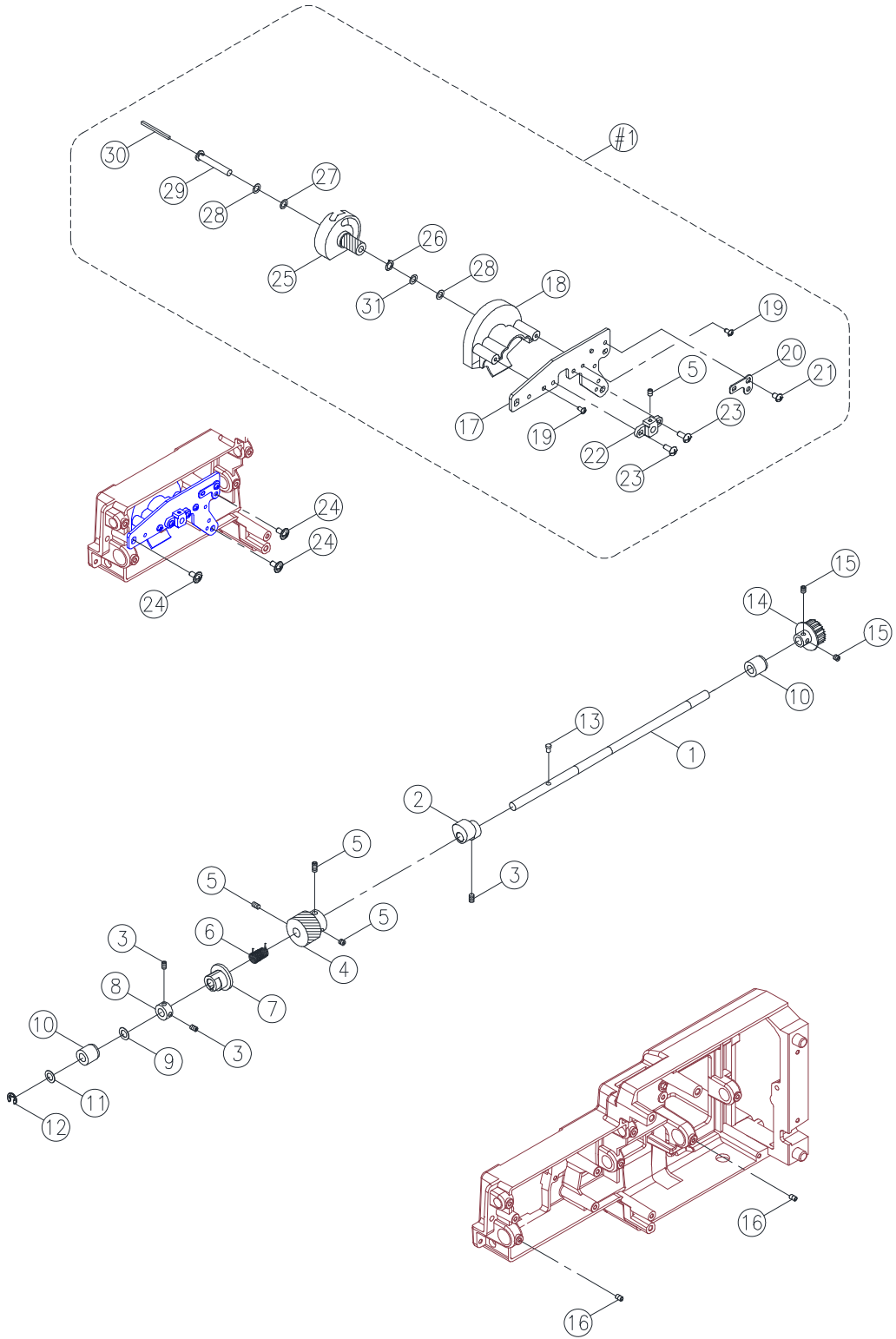
#	Part Number	Description
#1	68017579	NEEDLE PLATE CPL.
1	416601201	FEED REGULATOR DIAL SHAFT
2	416116301	E-RING (ETW-5)
3	416183901	SPRING PIN (2.5x16)
4	416195501	FEED REGULATOR GEAR
5	416518401	SET SCREW (M3x8 A)
6	416600901	BH SELECTOR PLATE FOR 3323
7	416600901	BH SLIDE PLATE FOR 3323
8	416185901	WASHER (4.2x9x0.5) FOR 3323
9	416116001	E-RING (ETW-3) FOR 3323
10	416728401	BH SELECTOR PLATE FOR 3323
11	416121201	SET SCREW (M4x6 B)
12	416600901	BH CAM PLATE FOR 3323
13	416226601	SET SCREW (M4x5 B) FOR 3323
14	68003185	BH SELECT CRANK SHAFT FOR 3323
15	416728601	BH SELECT CRANK FOR 3323
16	270 004230056	SET SCREW (M3x5 B) FOR 3323
17	68013842	BH LEVER PLATE CPL. FOR 3323
18	416728801	BH LEVER CRANK FOR 3323
19	416116001	E-RING (ETW-3) FOR 3323
20	416495301	BH LEVER FOR 3323
21	416729001	BH LEVER SPRING PLATE FOR 3323
22	416117001	SPRING PIN (1.6x5) FOR 3323
23	416827001	SHUTTLE HOOK CPL.
24	416232001	BH POSITIONED PLATE FOR 3323
25	416231901	BH POSITIONED PLATE FOR 3323
26	416121501	SET SCREW (M4x8 A) FOR 3323
27	416231801	BH MOVEMENT CRANK FOR 3323
28	416555301	LAMP BRACKET FOR 3321
29	416186801	WASHER (WW-6)
30	416144001	ROTARY HOOK PLATE
31	68012459	ROTARY HOOK PLATE (2) CPL.
32	416428301	NEEDLE PLATE COVER
33	68000175	BOBBIN
34	416122901	SET SCREW (M4x6)
35		
36		
37		
38		
39		
40		
41		
42		

K



#	Part Number	Description
#1	68017590	FEED ROCK SHAFT CPL.
1	416730901	FEED REGULATING SHAFT
2	416149701	FEED REGULATING
3	416122401	SET SCREW (M4x4 C)
4	416125601	WASHER (6.7x11.8x0.5)
5	416156901	FEED ROCK BUSHING
6	416124001	WASHER (6.7x12x1)
7	416116301	E-RING (ETW-5)
8	416601801	FEED REGULATING CRANK CPL.
9	270 E1A0493003	FEED CRANK
10	416126801	SET NUT (ALN-4)
11	416121101	SET SCREW (M4x10 B)
12	416116201	E-RING (ETW-4)
13	416116001	E-RING (ETW-3)
14	416149601	FEED REGULATING BLOCK
15		
16		
17		
18		
19		
20		
21		
22		
23		
24		
25	68003195	FEED DOG
26		
27		
28		
29		
30		
31	416192801	FEED CRANK SHAFT
32	416683801	BELT ADJUSTING PLATE
33	416683901	BELT ADJUSTING PLATE PULLEY
34	416116101	E-RING (ETW-4)
35	416121601	SET SCREW (M4x12 B)

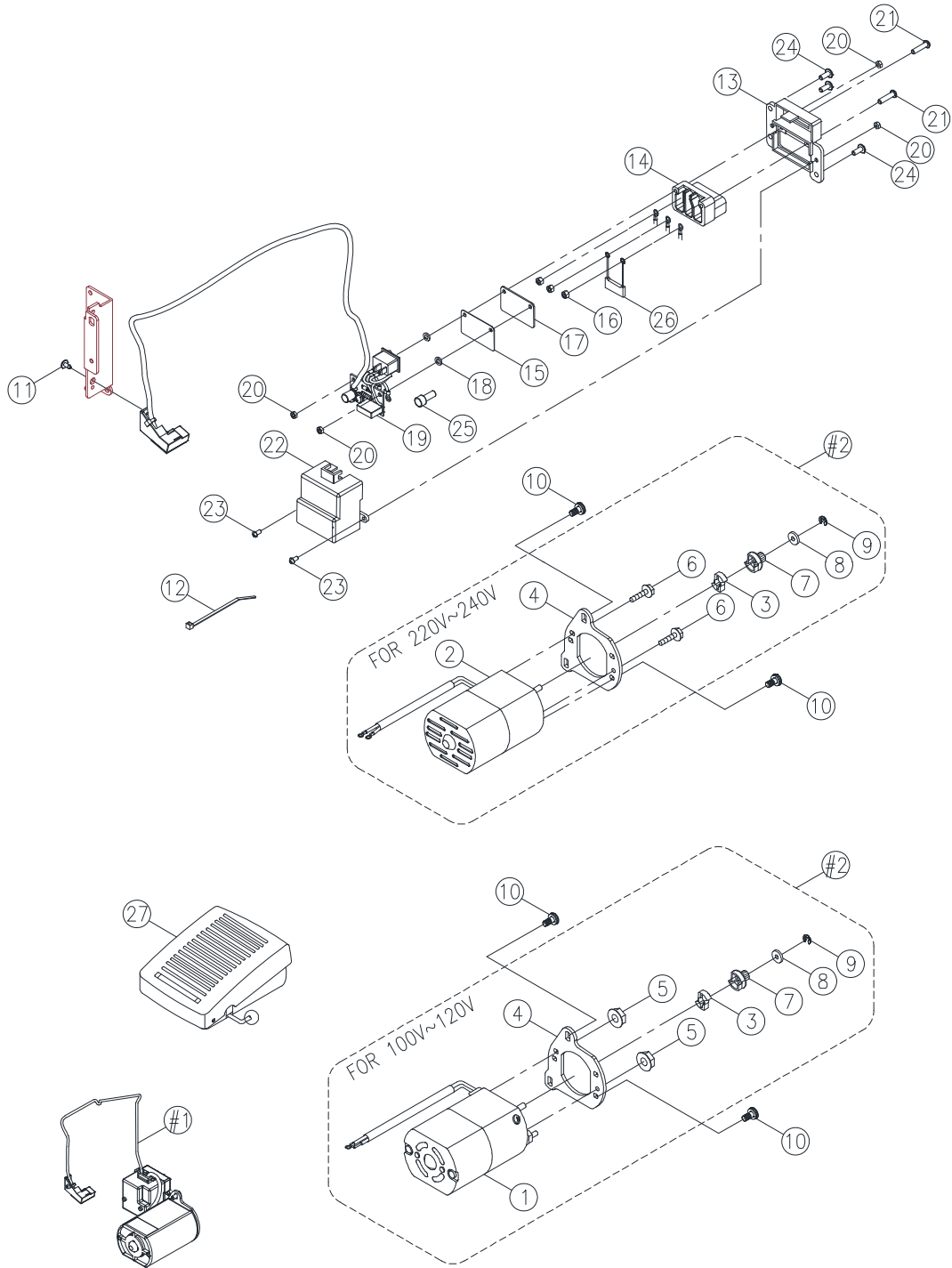
L



#	Part Number	Description
#1	68013854	ROTARY HOOK HOLDER CPL.
1	416731301	LOWER SHAFT
2	68003196	FEED ROCK CAM
3	416122401	SET SCREW (M4x4 C)
4	68013976	LOWER SHAFT GEAR
5	416121001	SET SCREW (M4x5 C)
6	416191401	LOWER SHAFT SPRING
7	416191201	FEED LIFTING ROCK CAM
8	416158801	LOWER SHAFT COLLAR
9	416125801	ENDURE ATTRITION WASHER
10	416141701	LOWER SHAFT BUSHING
11	416186501	WASHER (8.2x12x0.5)
12	416116401	E-RING (ETW-6)
13	416191301	FEED LIFTING ROCK COM PIN
14	270 H1A0463000	LOWER SHAFT BELT PULLEY
15	270 004250203	SET SCREW (M5x5 C)
16	416122101	SET SCREW (M4x6 C)
17		
18		
19		
20		
21		
22		
23		
24	416679501	SET SCREW (M4x8)
25	416479801	SHUTTLE HOOK HOLDER
26		
27		
28		
29		
30		
31	68013850	ENDURE ATTRITION WASHER

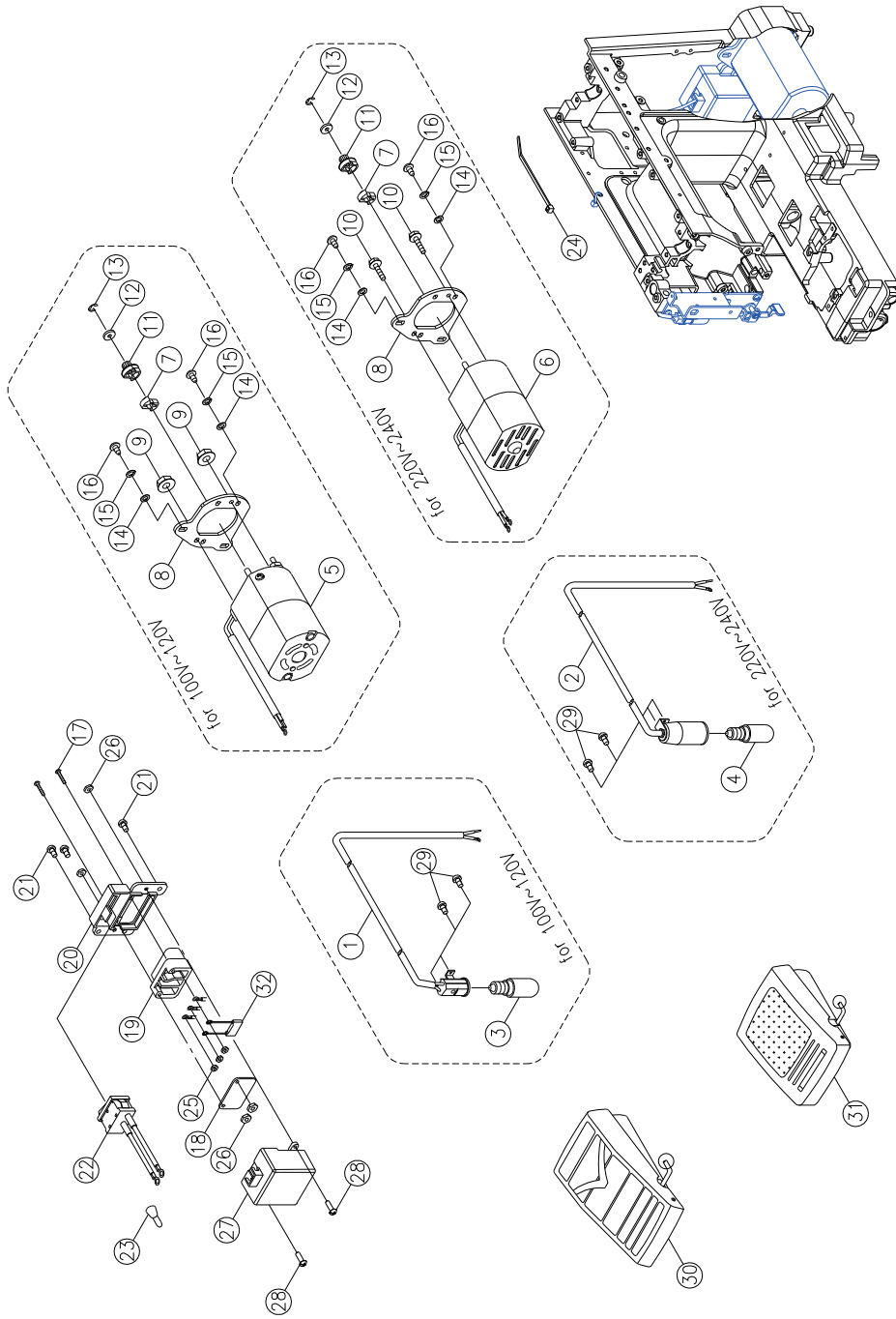
L

M



#	Part Number	Description
#1	68017601	MOTOR ELECTRIC WIRE CPL. FOR 120V /US
#1	68017602	MOTOR ELECTRIC WIRE CPL. FOR 230V / E.U.R
#2	68017603	MOTOR CPL. FOR 120V /US
#2	68017605	MOTOR CPL. FOR 230V / E.U.R
1		
2		
3		
4		
5		
6		
7		
8		
9		
10	68013176	SET SCREW (M5x12)
11	416718201	SET SCREW (M3x5)
12	416113901	CORD CLIP
13	68017600	RECEPTACLE HOLDER
14	416184701	RECEPTACLE
15	68013906	INSULATING SLICE FOR 120V
16	270 004840120	SET NUT (M3x4)
17	416183601	CONCERT INSULATION PLATE
18	68013231	WASHER
19	416732501	LED HOLDER CPL. FOR 120V
19	416732601	LED HOLDER CPL. FOR 220V~240V
20	416302901	NUT (M3 t=2.3)
21	68013281	SET SCREW (M3x25)
22	68017467	RECEPTACLE HOLDER COVER
23	68017468	SET SCREW (M4x10)
24	416121701	SET SCREW (M4x15 B)
25	416133001	END TERMED
26	68013175	CONDENSER FOR 220V-240V
27	270 002V8E4003	FOOT CONTROLLER FOR 120V
27	68001147	FOOT CONTROLLER FOR 230V
27	416112701	FOOT CONTROLLER FOR 240V / U.K
27	416183701	FOOT CONTROLLER FOR 240V / SAA

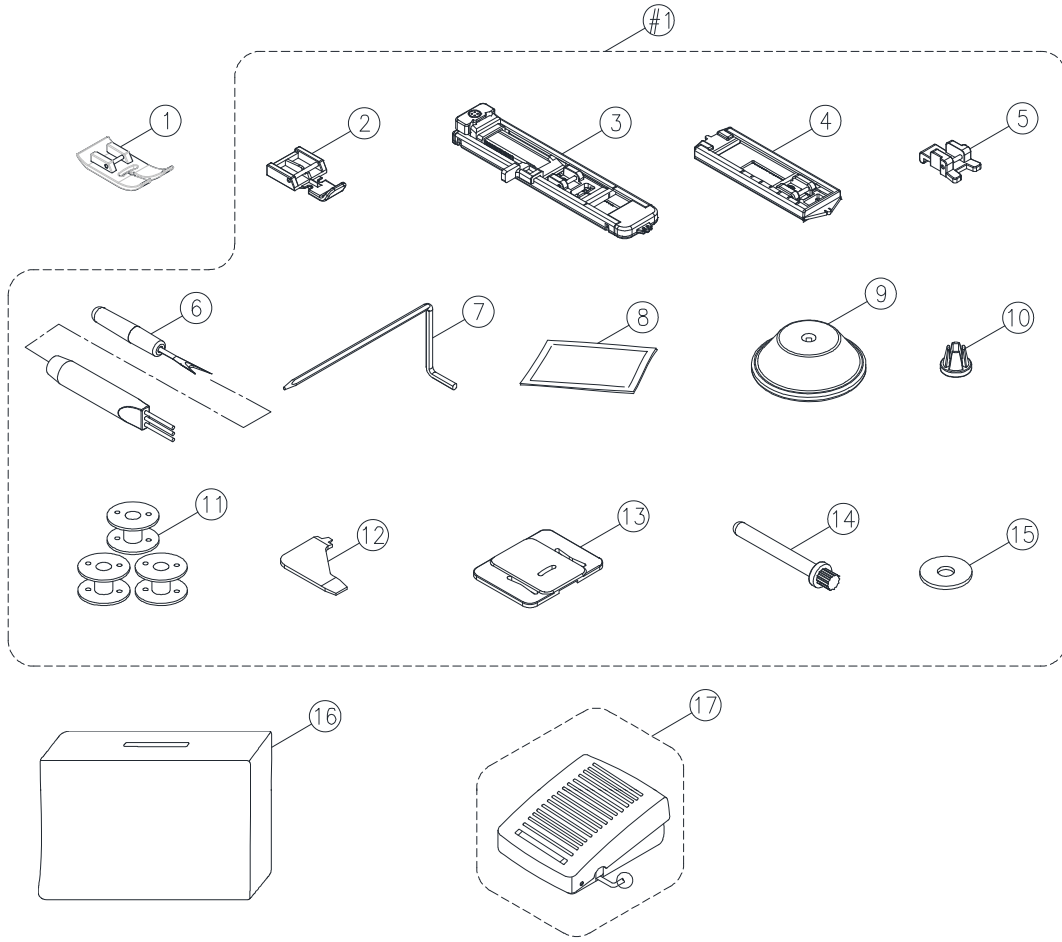
M



ALL VOLTAGE APPLICATION & SPEC. , PLEASE CHECK NEXT PAGE.

#	Part Number	Description
1		LAMP HOLDER COMPLETE FOR 100V~120V /US
2		LAMP HOLDER COMPLETE FOR 220V-240V / E.U.R
3		LAMP (12W E12) FOR 100V
3	416126901	LAMP (10W) FOR 120V
4	416766201	LAMP (15W E-14) FOR 220V
4	416127001	LAMP (15W E-12) FOR 240V
5		MOTOR COMPLETE FOR 100V / JAPAN
5	416528001	MOTOR COMPLETE (HF-07150) FOR 120V / US
6		MOTOR COMPLETE (HF-07250) FOR 220V / KOREA
6	416430001	MOTOR COMPLETE (HF-07250) FOR 230V / E.U.R
6		MOTOR COMPLETE (HF-07250) FOR 230V / SAU
6		MOTOR COMPLETE (HF-07250) FOR 230V / DUBAI
6		MOTOR COMPLETE (HF-07250) FOR 230V / INDIA
6		MOTOR COMPLETE (HF-07250) FOR 230V / CHINA
6	416528301	MOTOR COMPLETE (HF-07250) FOR 240V / U.K
6	270 001V881005	MOTOR COMPLETE (HF-07250) FOR 240V /AUS
7		CUSHION RUBBER
8		MOTOR BRACKET
9		NUT (M4 T=5.5) FOR 100~120V
10		SET SCREW (M4×10.2) FOR 220~240V
11		BELT WHEEL
12		MOTOR FEED REGULATOR COLLAR
13		E-RING (ETW-3)
14		WASHER (5.4×10×0.9)
15		SPRING WASHER (5.2×9×1)
16		SET SCREW (M5×12)
17		SET SCREW (M3×20 B)
18		CONCERT INSULATION PLATE
19		RECEPTACLE
20		RECEPTACLE HOLDER
21		SET SCREW (M4×10 B)
22	416115001	SWITCH ASS'Y
23		END TERMED
24		CORD CLIP
25		NUT (M3×4)
26		NUT (M3 T=2.3)
27		RECEPTACLE HOLDER COVER FOR-NON-UL
28		SET SCREW (M3×8 B) FOR-NON-UL
29		SET SCREW (M3×5 B)
30		FOOT CONTROLLER (KD-1902) FOR 100V / JAPAN
30	416183301	FOOT CONTROLLER (KD-1902) FOR 120V / US
31		FOOT CONTROLLER (KD-2902) FOR 220V / KOREA
31	68001147	FOOT CONTROLLER (KD-2902) FOR 230V / E.U.R
31		FOOT CONTROLLER (KD-2902) FOR 230V / CHINA
31		FOOT CONTROLLER (KD-2902) FOR 230V / SAU
31	416523901	FOOT CONTROLLER (KD-2902) FOR 230V / DUBAI
31		FOOT CONTROLLER (KD-2902) FOR 230V / IRAN
31	416112701	FOOT CONTROLLER (KD-2902) FOR 240V / U.K
31	416183701	FOOT CONTROLLER (KD-2902) FOR 240V / AUS

N



#	Part Number	Description
#1	68017625	ACCESSORY CPL. FOR 3321
#1	68017626	ACCESSORY CPL. FOR 3323
1	416187101	ALL PURPOSE FOOT
2	416128701	ZIPPER FOOT (I)
3	68003698	BUTTONHOLE FOOT FOR 3323
4	416128901	BUTTONHOLE FOOT FOR 3321
5	416284501	BUTTON SEWING FOOT
6	416127701	SEAM RIPPER/ BRUSH
7	416127101	SEAM GUIDE
8		NEEDLE
9	416500701	SPOOL HOLDER (LARGE)
10	416500801	SPOOL HOLDERS (SMALL)
11	68000175	BOBBIN
12	68000177	L-SCREWDRIVER
13	416223901	EMBROIDERY PLATE
14	270 R60033210	SECOND SPOOL PIN
15	416127301	FELT PAD
16	68016488	SOFT COVER
17	68016629	FOOT CONTROLLER CPL.